



Count on it.

Parts Catalog

22in Recycler®

Lawn Mower

Model No. 20333—Serial No. 313000001 and Up



Ordering Replacement Parts

To order replacement parts, please supply the part number, the quantity, and the description of each part desired.

Understanding Reference Numbers

Each identified part in an illustration has a reference number. The reference number for a part also appears in the parts list, along with other information about the part.

This catalog uses two special reference number formats, one to indicate parts in a service assembly and another to indicate the quantity of a given part in an illustration.

Service Assembly Reference Numbers

Parts in service assemblies have reference numbers in the form a:b. The a represents the reference number of the entire service assembly and the b represents a sequential number unique to each part within the service assembly.

For example, a wheel assembly might be identified by reference number 6, the tire by 6:1, the valve by 6:2, and the wheel by 6:3. When you order the assembly identified by reference number 6, you receive all parts identified by reference numbers 6:1, 6:2, and 6:3. However, you may also order any part individually. Reference numbers of this type appear in illustration and in parts lists.

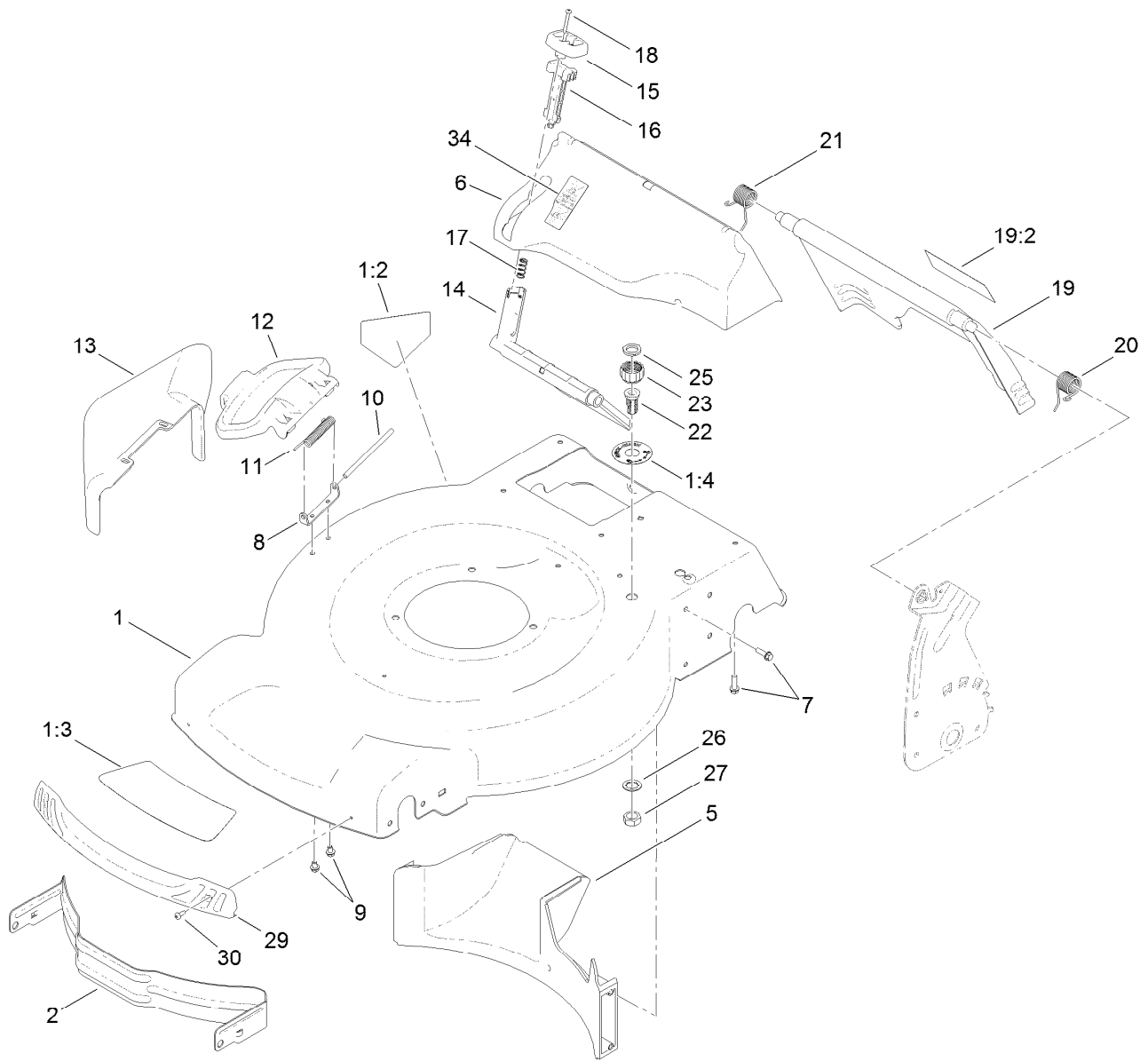
Reference Numbers Indicating Quantity

In an illustration, if a reference number indicates more than one part, the reference number has the form nX y. The n represents the quantity of the part, the X is the multiplication symbol, and the y represents the reference number.

For example, in an illustration, the reference number 2X 37 means that two of the parts identified by reference number 37 are indicated.

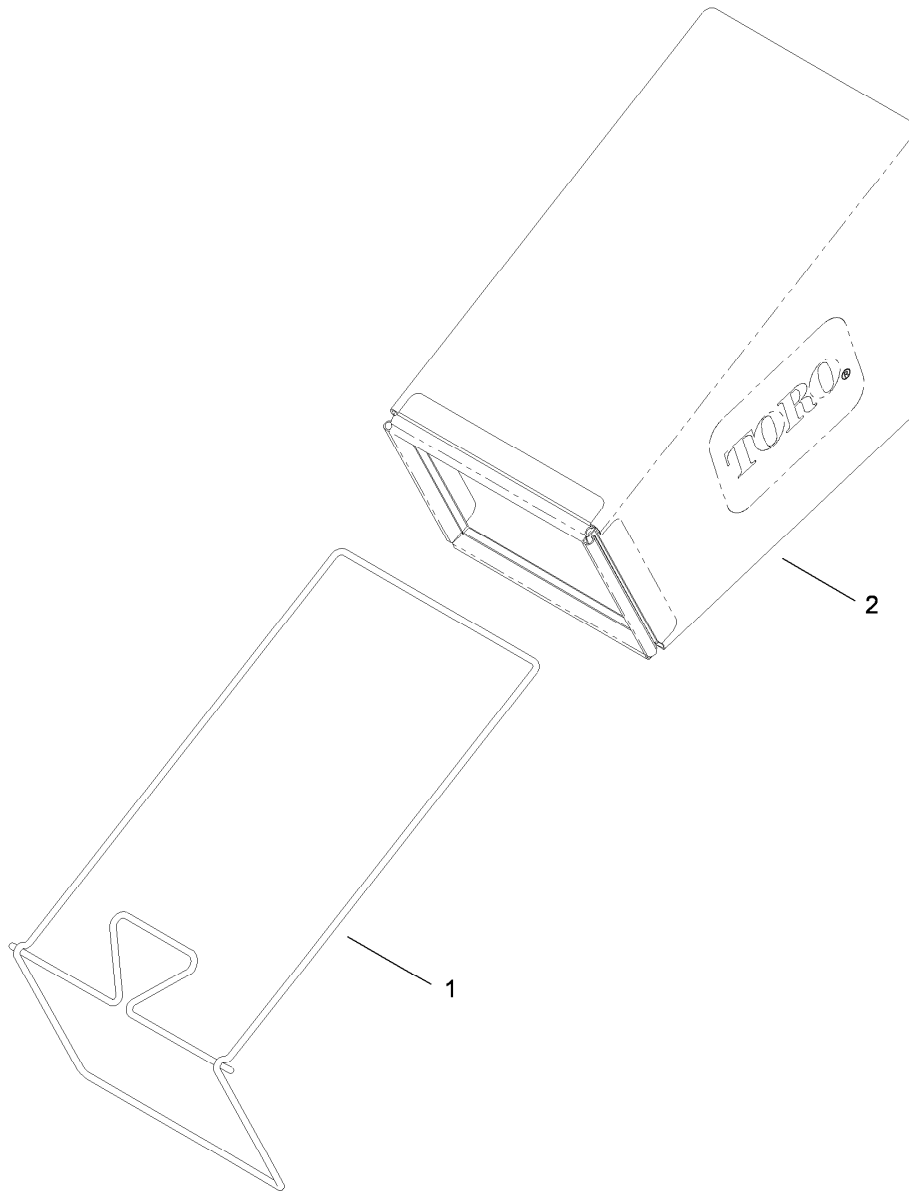
Contents

| | |
|--|----|
| Deck, Side Chute and Rear Door Assembly | 4 |
| Rear Bag Assembly | 5 |
| Engine and Blade Assembly | 6 |
| Front Wheel and Height-of-Cut Assembly | 7 |
| Transmission and Rear Wheel Drive Assembly | 8 |
| Upper Handle Assembly | 9 |
| Control Assembly | 10 |
| Attachments and Accessories | 11 |



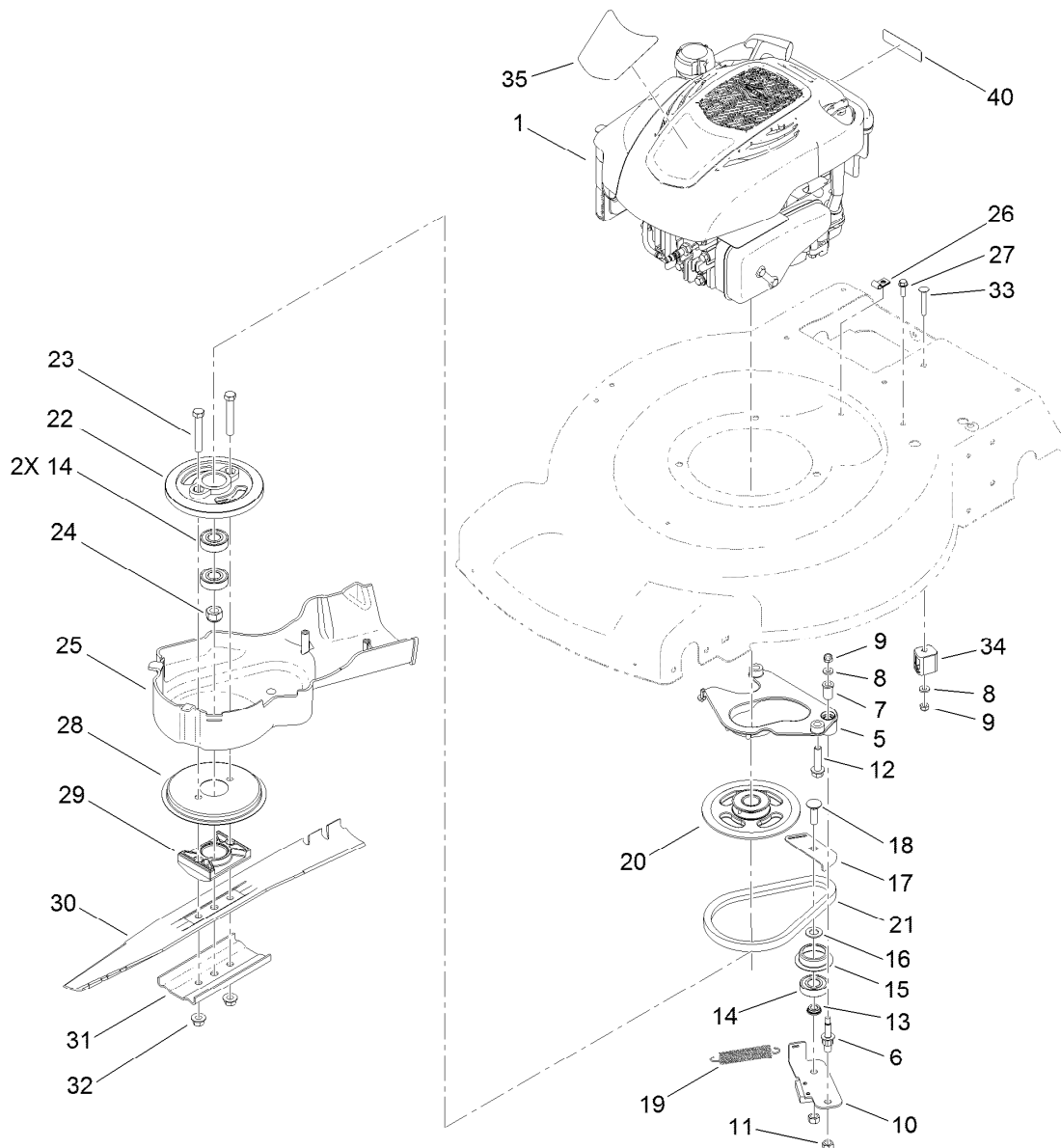
Deck, Side Chute and Rear Door Assembly

| <i>Ref.</i> | <i>Part Number</i> | <i>Qty.</i> | <i>Description</i> | <i>Ref.</i> | <i>Part Number</i> | <i>Qty.</i> | <i>Description</i> |
|-------------|--------------------|-------------|-----------------------|-------------|--------------------|-------------|-----------------------------|
| 1 | 117-1084 | 1 | Housing ASM | 16 | 114-7959 | 1 | Latch-Recycle |
| 1:2 | 94-8072 | 1 | Decal-Danger | 17 | 117-1031 | 1 | Spring-Compression |
| 1:3 | 115-4676 | 1 | Decal-Recycler | 18 | 32104-120 | 2 | Screw-PPH |
| 1:4 | 112-8867 | 1 | Decal-Port, Washout | 19 | 121-5776 | 1 | Rear Door ASM |
| 2 | 114-7963-01 | 1 | Baffle-Front | 19:2 | 114-7982 | 1 | Decal-Warning |
| 5 | 114-7961 | 1 | Baffle-Rear | 20 | 115-2859 | 1 | Spring-Torsion |
| 6 | 115-4677 | 1 | Chute-Recycle | 21 | 114-7924 | 1 | Spring-Torsion |
| 7 | 46-8091 | 9 | Screw-HWH | 22 | 112-6400 | 1 | Port-Washout |
| 8 | 112-6416 | 1 | Bracket-Cover | 23 | 112-6401 | 1 | Coupling-Hose, Washout Port |
| 9 | 99-8445 | 2 | Screw-HWH | 25 | 112-6438 | 1 | Washer-Seal, Washout Port |
| 10 | 99-5291 | 1 | Rod-Cover | 26 | 3254-5 | 1 | Washer-Tooth, Internal |
| 11 | 99-5293 | 1 | Spring-Torsion | 27 | 3218-6 | 1 | Nut-Jam |
| 12 | 115-8449 | 1 | Deflector-Side | 29 | 114-7987 | 1 | Bumper |
| 13 | 115-8447 | 1 | Chute-Discharge, Side | 30 | 105-6849 | 2 | Screw-Forming, Thread |
| 14 | 114-7960 | 1 | Deflector-Recycle | 34 | 117-5928 | 1 | Decal-Bag On Demand |
| 15 | 114-7958 | 1 | Knob-Recycle | | | | |



Rear Bag Assembly

| <i>Ref.</i> | <i>Part Number</i> | <i>Qty.</i> | <i>Description</i> |
|-------------|--------------------|-------------|--------------------|
| 1 | 114-2679-03 | 1 | Frame-Bag |
| 2 | 115-4673 | 1 | Grass Bag ASM |

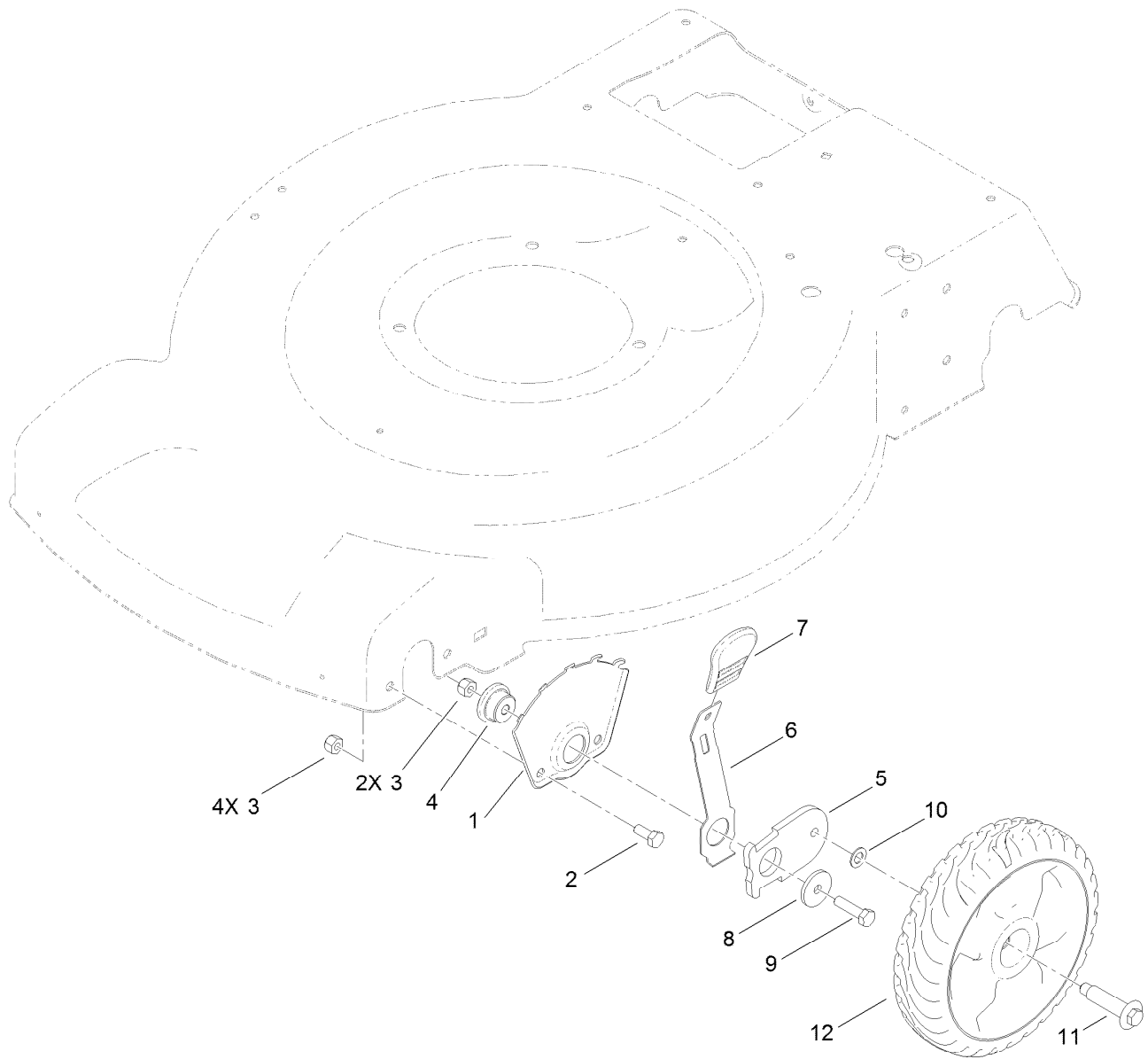


Engine and Blade Assembly

| Ref. | Part Number | Qty. | Description | Ref. | Part Number | Qty. | Description |
|------|-------------|------|-------------------------------------|------|-------------|------|------------------------|
| 1 | | 1 | Engine-Briggs, 128M02-0001-F1 ●■ | 20 | 117-5970 | 1 | Pulley |
| 5 | 108-9341 | 1 | Plate-Anchor | 21 | 110-1790 | 1 | Belt |
| 6 | 107-0759 | 1 | Bolt-Shoulder | 22 | 107-0754 | 1 | Drum |
| 7 | 107-0797 | 1 | Bushing | 23 | 3211-42 | 2 | Screw-HH |
| 8 | 3256-16 | 2 | Washer-Flat | 24 | 108-9342 | 1 | Nut-Hex |
| 9 | 3296-73 | 2 | Nut-Lock, NI | 25 | 115-2892 | 1 | Cover |
| 10 | 120-3327 | 1 | Brake Arm ASM | 26 | 2412-72 | 1 | Clip-Closed, Insulated |
| 11 | 603773 | 2 | Nut | 27 | 46-8091 | 2 | Screw-HWH |
| 12 | 32144-102 | 3 | Screw-HWH | 28 | 108-3787 | 1 | Disc |
| 13 | 107-0758 | 1 | Spacer-Bearing | 29 | 107-7487 | 1 | Support-Blade |
| 14 | 100-1048 | 3 | Bearing-Ball | 30 | 108-9764-03 | 1 | Blade-22 Inch |
| 15 | 108-3790 | 1 | Retainer-Belt | 31 | 108-3766-03 | 1 | Support-Blade |
| 16 | 605256 | 1 | Washer-Plain | 32 | 54-9190 | 2 | Nut-Lock |
| 17 | 107-7471 | 1 | Plate-Guide | 33 | 3229-5 | 1 | Screw-CARR |
| 18 | 3231-25 | 1 | Bolt-CARR | 34 | 106-6801 | 1 | Anchor-Cable |
| 19 | 108-3792 | 1 | Spring-Tension, Brake | 35 | 121-2371 | 1 | Decal-Shroud |
| | | | | 40 | 117-2718 | 1 | Decal-Arrester, Spark |

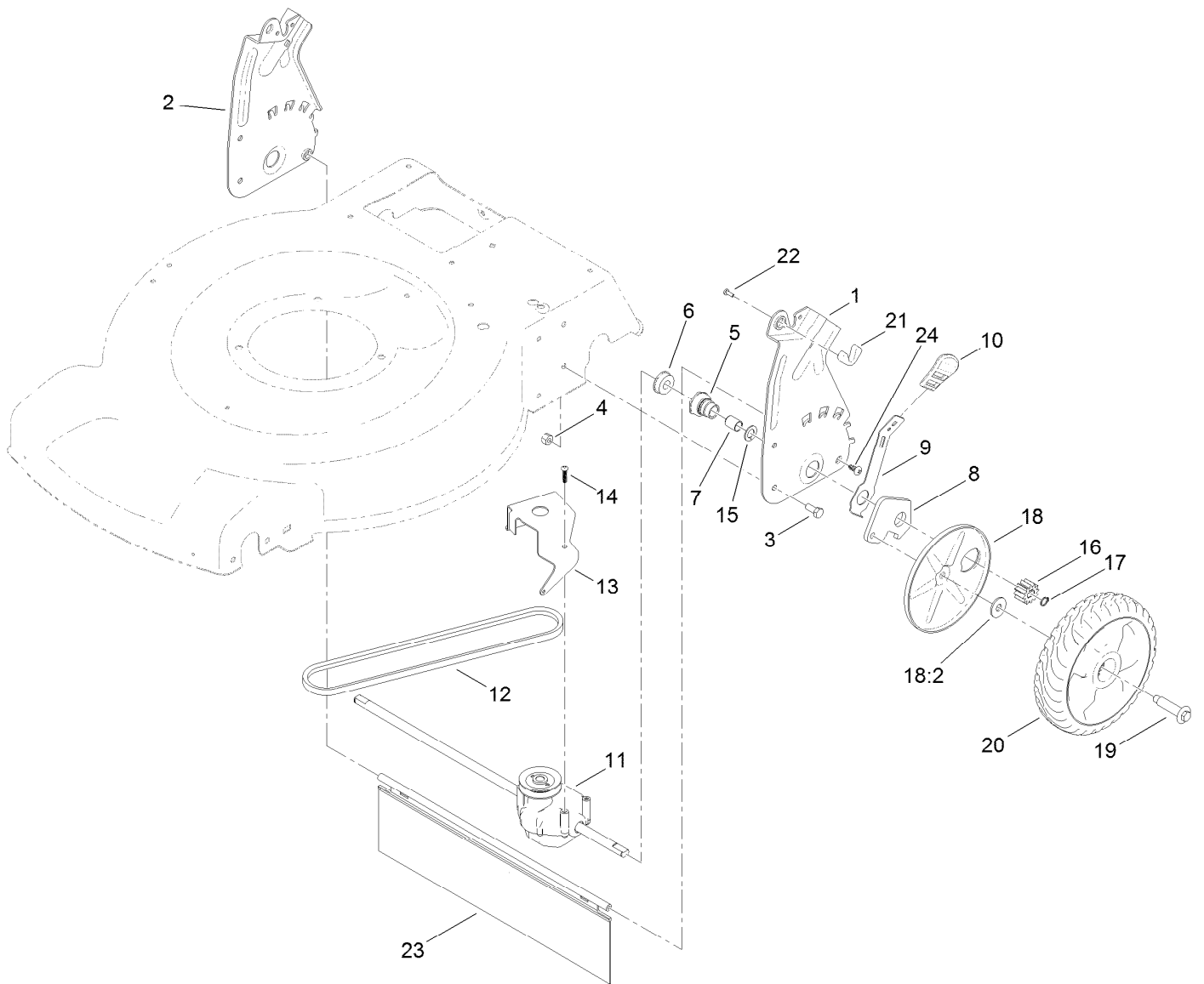
● Not serviced separately

■ Obtain parts from www.briggsandstratton.com



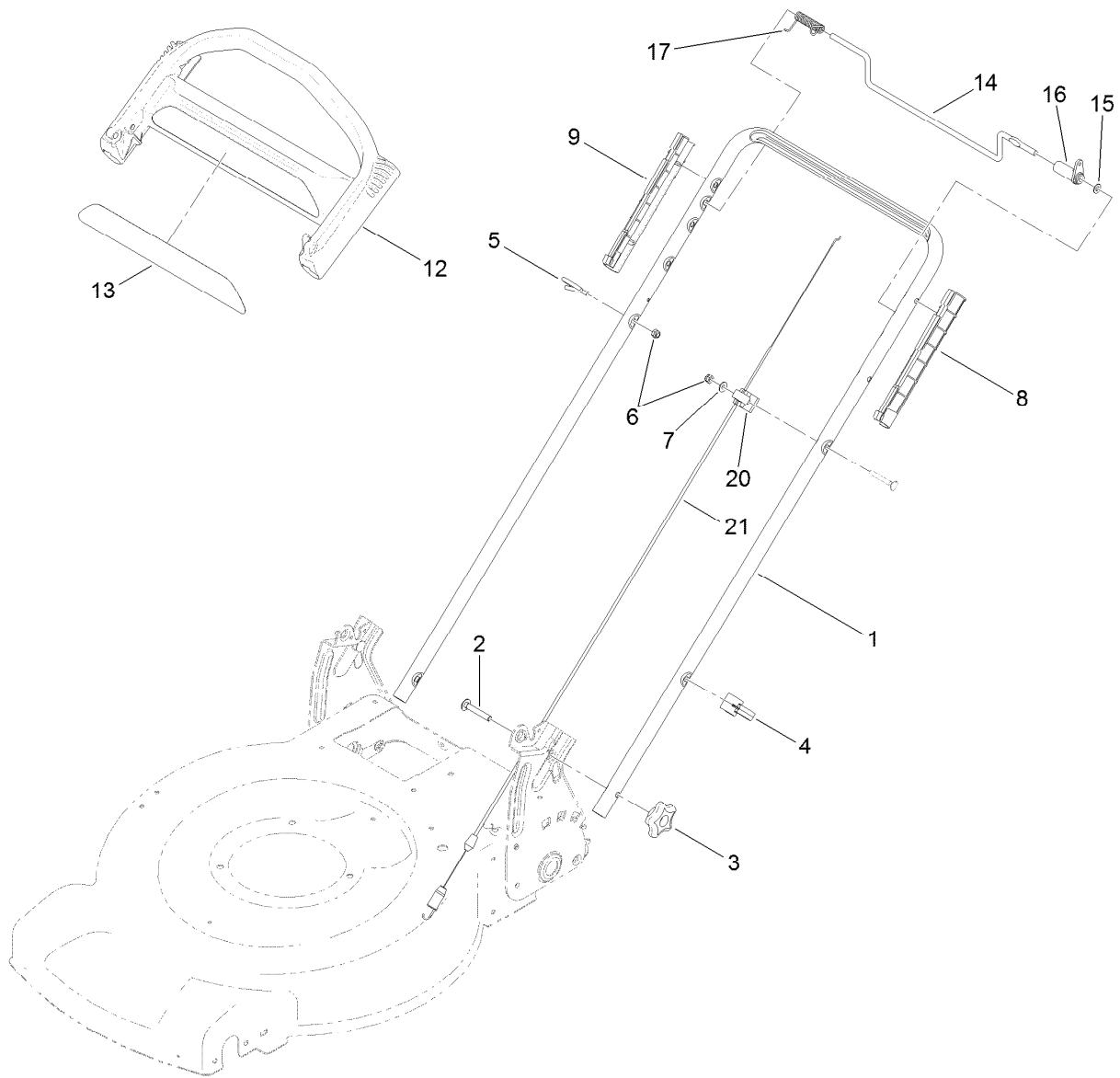
Front Wheel and Height-of-Cut Assembly

| Ref. | Part Number | Qty. | Description |
|------|-------------|------|--------------------|
| 1 | 115-1956-03 | 2 | Plate-HOC, Front |
| 2 | 322-3 | 4 | Screw-HH |
| 3 | 3296-29 | 6 | Nut-Lock, NI |
| 4 | 105-1818 | 2 | Bushing-Mount, HOC |
| 5 | 105-1807 | 2 | Arm-Pivot, Front |
| 6 | 105-1809 | 2 | Arm-Spring |
| 7 | 110-0549 | 2 | Knob-HOC |
| 8 | 105-3048 | 2 | Washer-Flat |
| 9 | 322-6 | 2 | Screw-HH |
| 10 | 40-1940 | 2 | Washer |
| 11 | 614650 | 2 | Bolt-Shoulder |
| 12 | 115-2894 | 2 | 8 Inch Wheel ASM |



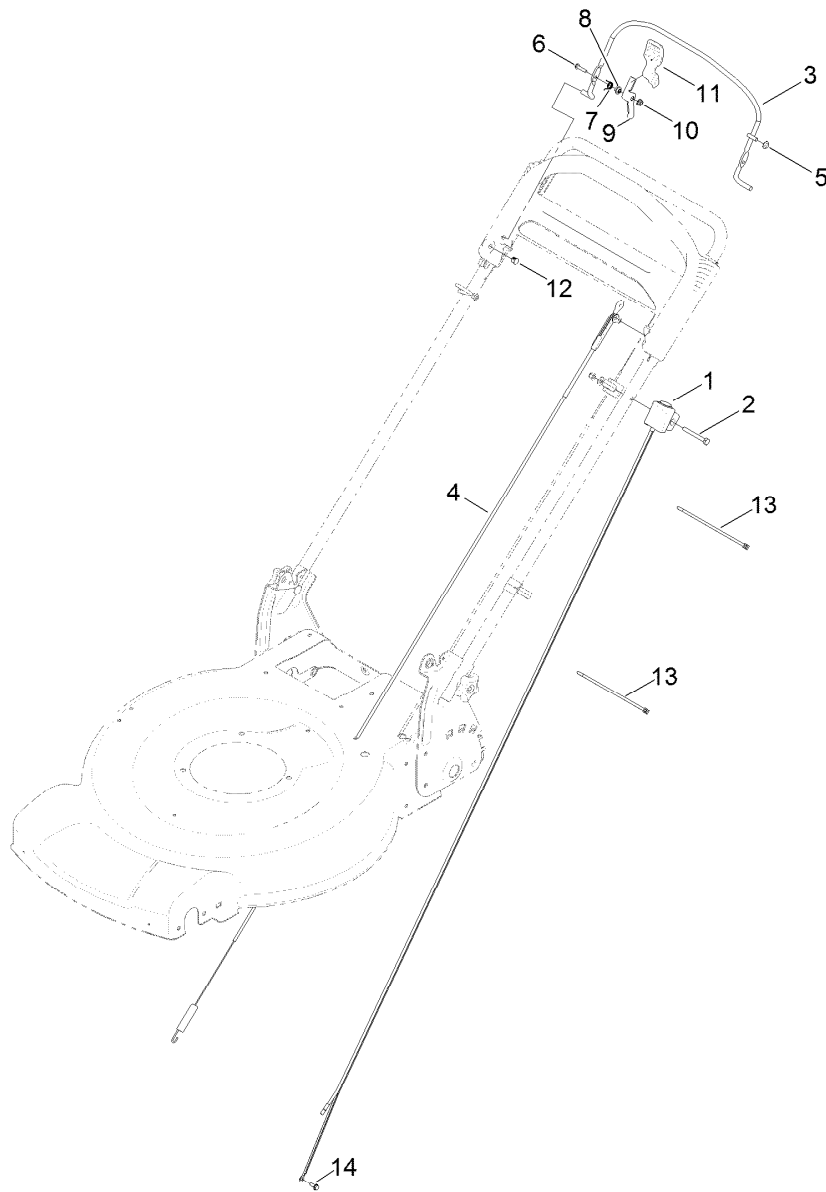
Transmission and Rear Wheel Drive Assembly

| <i>Ref.</i> | <i>Part Number</i> | <i>Qty.</i> | <i>Description</i> | <i>Ref.</i> | <i>Part Number</i> | <i>Qty.</i> | <i>Description</i> |
|-------------|--------------------|-------------|-----------------------|-------------|--------------------|-------------|-----------------------|
| 1 | 114-7955-03 | 1 | Plate-Rear, LH (HOC) | 14 | 108-7476 | 3 | Screw-Plastite |
| 2 | 114-7956-03 | 1 | Plate-Rear, RH (HOC) | 15 | 110-7191 | 2 | Washer-Thrust |
| 3 | 322-3 | 4 | Screw-HH | 16 | 115-4668 | 2 | Gear-Pinion |
| 4 | 3296-29 | 4 | Nut-Lock, NI | 17 | 32151-61 | 2 | Ring-Retaining |
| 5 | 108-9779 | 2 | Retainer-Bushing, HOC | 18 | 110-1792 | 2 | Wheel Cover ASM |
| 6 | 104-8699 | 2 | Bearing-Ball | 18:2 | 614426 | 1 | Washer-Stepped |
| 7 | 108-9782 | 2 | Bushing-Sleeve | 19 | 614650 | 2 | Bolt-Shoulder |
| 8 | 108-9781 | 2 | Arm-Pivot, Rear | 20 | 115-4695 | 2 | 8 Inch Wheel Gear ASM |
| 9 | 108-9780 | 2 | Arm-Spring | 21 | 115-8406 | 2 | Anchor-Bag |
| 10 | 110-0549 | 2 | Knob-HOC | 22 | 105-9437 | 2 | Screw-PPH |
| 11 | 115-4652 | 1 | Transmission | 23 | 120-7012 | 1 | Shield-Trailing |
| 12 | 115-4669 | 1 | Belt-V | 24 | 117-1092 | 2 | Screw-PTH |
| 13 | 114-7977-03 | 1 | Bracket-Transmission | | | | |



Upper Handle Assembly

| <i>Ref.</i> | <i>Part Number</i> | <i>Qty.</i> | <i>Description</i> | <i>Ref.</i> | <i>Part Number</i> | <i>Qty.</i> | <i>Description</i> |
|-------------|--------------------|-------------|--------------------|-------------|--------------------|-------------|-----------------------|
| 1 | 119-3810-05 | 1 | Handle | 12 | 104-8678 | 1 | Handle-Control |
| 2 | 3230-6 | 2 | Screw-CARR | 13 | 117-1019 | 1 | Decal |
| 3 | 117-5976 | 2 | Knob-Handle | 14 | 99-1588 | 1 | Bar-Control, Traction |
| 4 | 114-7988 | 1 | Guide-Cable | 15 | 3256-23 | 1 | Washer-Plain |
| 5 | 86-9671 | 1 | Guide-Rope | 16 | 99-1589 | 1 | Lever-Traction |
| 6 | 3296-73 | 2 | Nut-Lock, NI | 17 | 121-9118 | 1 | Spring-Torsion |
| 7 | 3256-1 | 1 | Washer-Flat | 20 | 99-5239 | 1 | Anchor-Cable |
| 8 | 105-6842 | 1 | Guide-LH | 21 | 115-8435 | 1 | Cable-Traction |
| 9 | 105-6841 | 1 | Guide-RH | | | | |



Control Assembly

| <i>Ref.</i> | <i>Part Number</i> | <i>Qty.</i> | <i>Description</i> |
|-------------|--------------------|-------------|--------------------|
| 1 | 117-5975 | 1 | Switch Housing ASM |
| 2 | 321-50 | 1 | Screw-HH |
| 3 | 108-3788-03 | 1 | Bail-Brake |
| 4 | 115-8439 | 1 | Cable-Brake |
| 5 | 3290-337 | 1 | Nut-Speed |
| 6 | 106-9169 | 1 | Screw-HWH |
| 7 | 107-7462 | 1 | Spring-Torsion |
| 8 | 107-7463 | 1 | Spacer |
| 9 | 106-6802 | 1 | Lever |
| 10 | 32128-17 | 1 | Nut-Lock, Flange |
| 11 | 112-8884 | 1 | Knob |
| 12 | 104-9368 | 1 | Plug-Dome |
| 13 | 614249 | 2 | Tie-Cable |
| 14 | 32144-1 | 1 | Screw-Taptite |

Attachments and Accessories

For 20333 22in Recycler Lawn Mower

| Product Name | Model/Part |
|------------------------------------|-------------------|
| Traction Assist Handle Kit..... | 108-8120 |
| Loose Parts Kit | 117-4132 |
| Toro WPM Maint Kit | 20234 |
| Replacement Bag | 59310 |
| Replacement Frame and Bag Kit..... | 59312 |
| 22 Inch Atomic Blade..... | 59534P |



Count on it.