



**Count on it.**

**Parts Catalog**

**Super Recycler®**

**Lawn Mower**

Model No. 20383—Serial No. 315000001 and Up



# Ordering Replacement Parts

To order replacement parts, please supply the part number, the quantity, and the description of each part desired.

## Understanding Reference Numbers

Each identified part in an illustration has a reference number. The reference number for a part also appears in the parts list, along with other information about the part.

This catalog uses two special reference number formats, one to indicate parts in a service assembly and another to indicate the quantity of a given part in an illustration.

## Service Assembly Reference Numbers

Parts in service assemblies have reference numbers in the form a:b. The a represents the reference number of the entire service assembly and the b represents a sequential number unique to each part within the service assembly.

For example, a wheel assembly might be identified by reference number 6, the tire by 6:1, the valve by 6:2, and the wheel by 6:3. When you order the assembly identified by reference number 6, you receive all parts identified by reference numbers 6:1, 6:2, and 6:3. However, you may also order any part individually. Reference numbers of this type appear in illustration and in parts lists.

## Reference Numbers Indicating Quantity

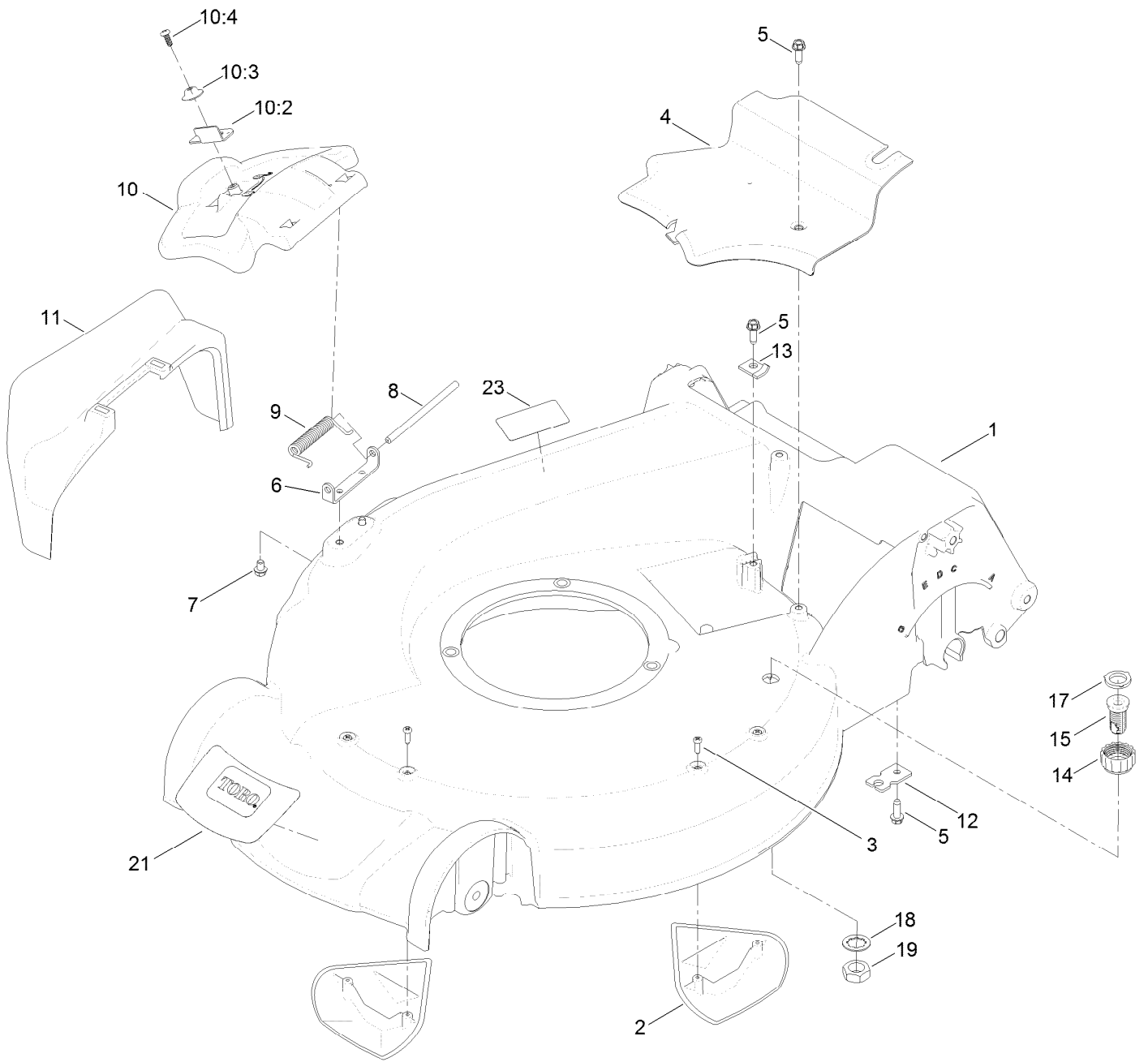
In an illustration, if a reference number indicates more than one part, the reference number has the form nX y. The n represents the quantity of the part, the X is the multiplication symbol, and the y represents the reference number.

For example, in an illustration, the reference number 2X 37 means that two of the parts identified by reference number 37 are indicated.

# Contents

Housing Assembly .....	4
Housing Assembly No. 115-2854 .....	6
Rear Door and Mulch Plug Assembly .....	8
Bag Assembly .....	10
Engine and Blade Drive Assembly .....	12
Shroud, Flywheel and Fuel Tank Assembly Engine Assembly No. 120-4412 .....	14
Dipstick and Gasket Assembly Engine Assembly No. 120-4412 .....	16
Carburetor, Muffler, Air Cleaner and Valve Cover Assembly Engine Assembly No. 120-4412 .....	18
Front Wheel and Height-of-Cut Assembly .....	20
Rear Wheel and Height-of-Cut Assembly .....	22
Handle Assembly .....	24
Brake Control Assembly .....	26
Attachments and Accessories .....	28

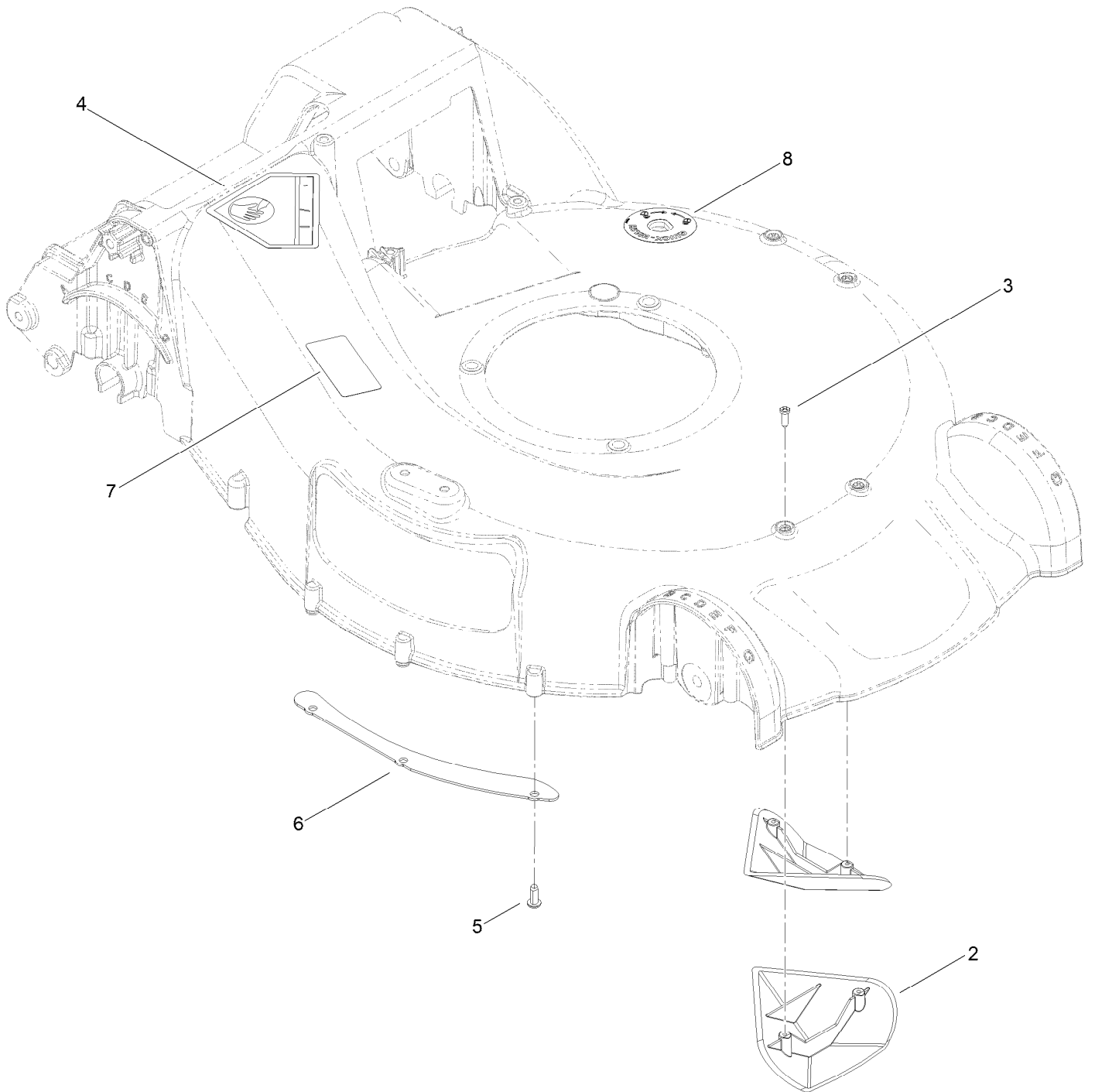
# Housing Assembly



## Housing Assembly (continued)

<i>Ref.</i>	<i>Part Number</i>	<i>Qty.</i>	<i>Description</i>	<i>Ref.</i>	<i>Part Number</i>	<i>Qty.</i>	<i>Description</i>
1	115-2854	1	Housing ASM	10:4	107-7461	1	Screw-Plastite
2	108-3798	2	Kicker-Housing	11	108-3753	1	Chute-Discharge, Side
3	32144-111	4	Screw-PPH	12	107-7497	1	Bracket-Cable, Traction
4	107-7494	1	Cover-Belt	13	62-3720	1	Clamp-Cable
5	49-2040	3	Screw-HWHTF	14	112-6401	1	Coupling-Hose, Washout Port
6	112-6416	1	Bracket-Cover	15	112-6400	1	Port-Washout
7	99-8445	2	Screw-HWH	17	112-6438	1	Washer-Seal, Washout Port
8	99-5291	1	Rod-Cover	18	3254-5	1	Washer-Tooth, Internal
9	99-5293	1	Spring-Torsion	19	3218-6	1	Nut-Jam
10	107-3717	1	Discharge Door ASM	21	121-5758	1	Decal-Deck
10:2	107-0795	1	Latch-Door	23	125-5092	1	Decal-Placement, Foot
10:3	107-7456	1	Cap-Door				

# Housing Assembly No. 115-2854

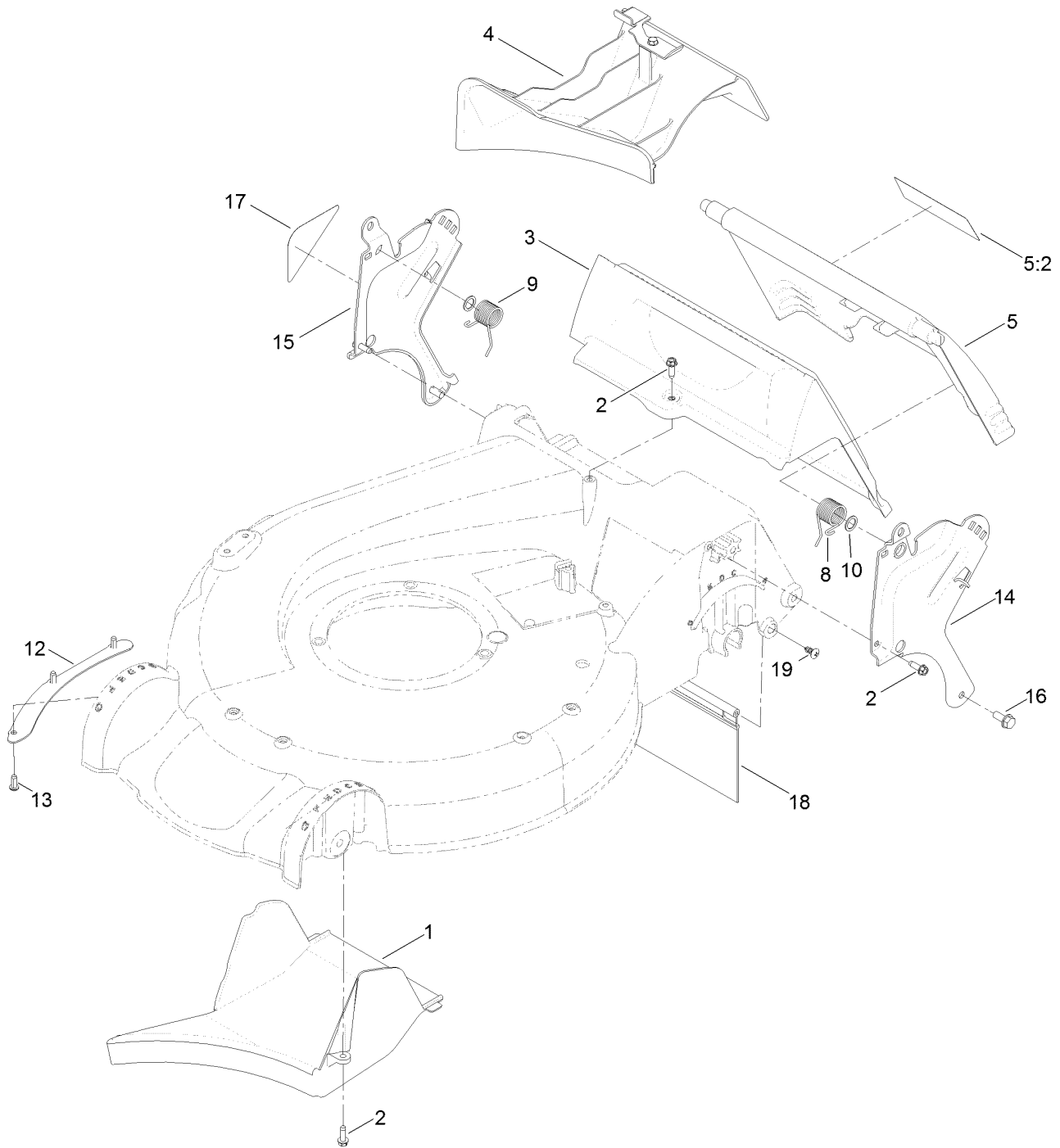


# Housing Assembly No. 115-2854 (continued)

<i>Ref.</i>	<i>Part Number</i>	<i>Qty.</i>	<i>Description</i>
2	108-3798	2	Kicker-Housing
3	32144-111	4	Screw-PPH
4	94-8072	1	Decal-Danger
5	63-8590	3	Screw

<i>Ref.</i>	<i>Part Number</i>	<i>Qty.</i>	<i>Description</i>
6	105-1316-03	1	Sheet-Lip
7	125-5092	1	Decal-Placement, Foot
8	112-8867	1	Decal-Port, Washout

# Rear Door and Mulch Plug Assembly

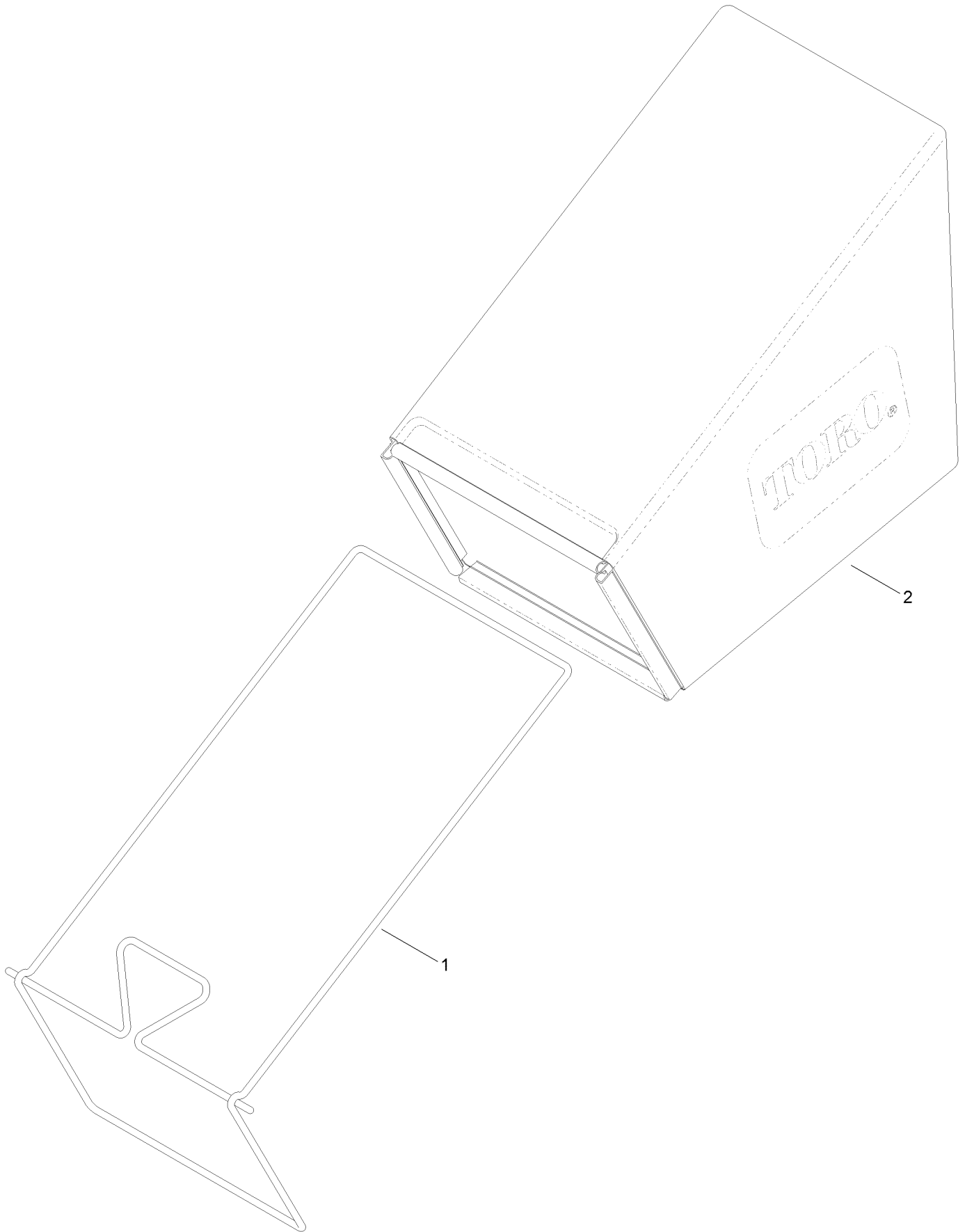




## Rear Door and Mulch Plug Assembly (continued)

<i>Ref.</i>	<i>Part Number</i>	<i>Qty.</i>	<i>Description</i>	<i>Ref.</i>	<i>Part Number</i>	<i>Qty.</i>	<i>Description</i>
1	107-7495	1	Tunnel-Discharge	12	105-1316-03	1	Sheet-Lip
2	49-2040	5	Screw-HWHTF	13	63-8590	3	Screw
3	114-2668	1	Chute	14	114-2671-03	1	Bracket-Handle, LH
4	115-8413	1	Mulch Plug ASM	15	114-2672-03	1	Bracket-Handle, RH
5	121-5776	1	Rear Door ASM	16	32144-11	2	Screw-HWHTF
5:2	131-4514	1	Decal-Warning	17	115-2884	1	Decal-Instruction
8	115-2859	1	Spring-Torsion	18	120-7011	1	Shield-Trailing
9	114-7924	1	Spring-Torsion	19	117-1092	2	Screw-PTH
10	94-8196	2	Washer-Nylon				

# Bag Assembly



## Bag Assembly (continued)

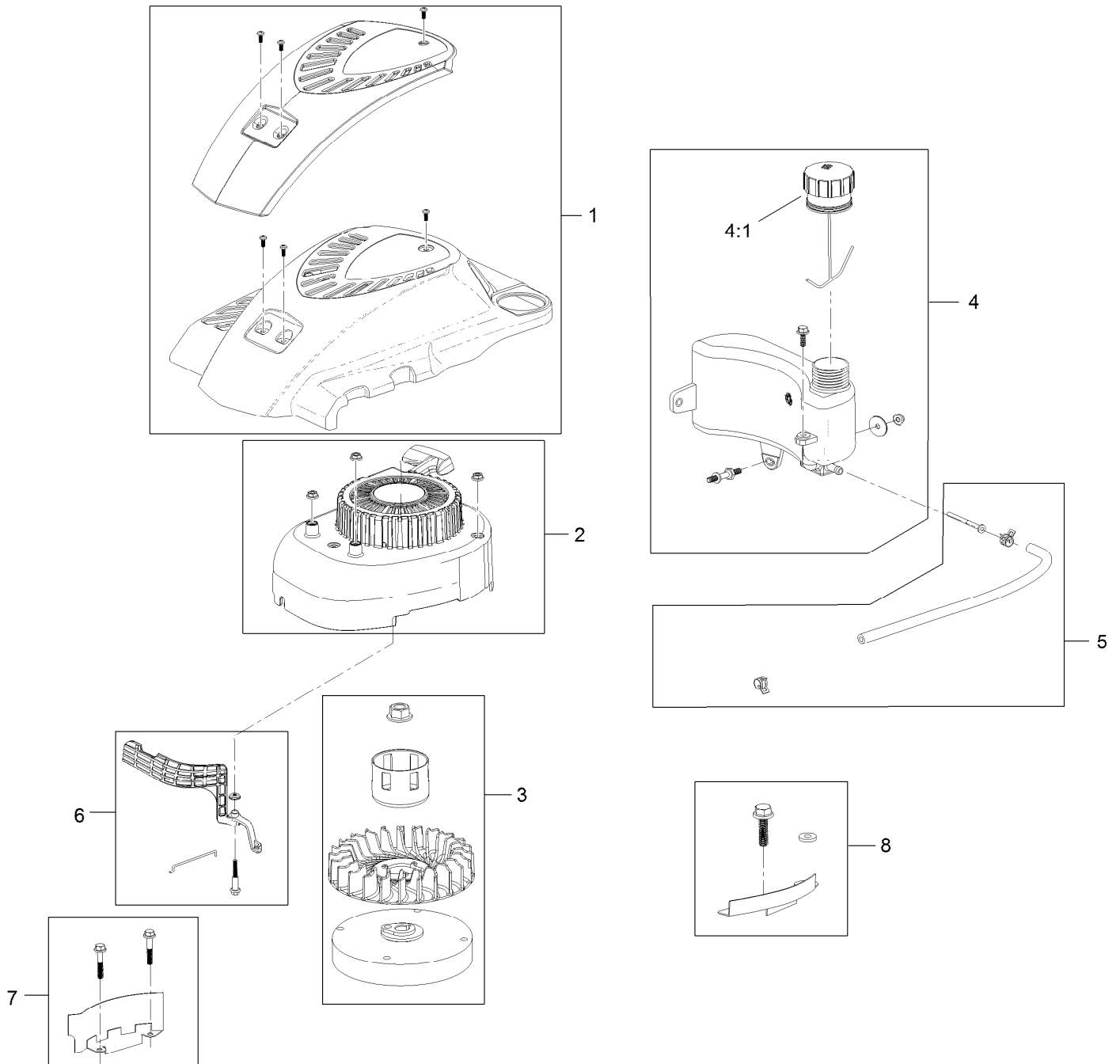
<i>Ref.</i>	<i>Part Number</i>	<i>Qty.</i>	<i>Description</i>
1	121-2333-03	1	Frame-Bag
2	114-2664	1	Grass Bag ASM



## Engine and Blade Drive Assembly (continued)

<i>Ref.</i>	<i>Part Number</i>	<i>Qty.</i>	<i>Description</i>	<i>Ref.</i>	<i>Part Number</i>	<i>Qty.</i>	<i>Description</i>
1	120-4412	1	Engine-1P65Fc	18	110-1790	1	Belt
2	107-0761	1	Plate-Anchor	19	108-9342	1	Nut-Hex
3	107-0759	1	Bolt-Shoulder	20	107-0754	1	Drum
4	107-0797	1	Bushing	21	3211-42	2	Screw-HH
5	3256-16	1	Washer-Flat	22	107-7488	1	Cover
6	3296-73	1	Nut-Lock, NI	23	49-2040	3	Screw-HWHTF
7	125-1063	1	Plate-Brake	24	108-3787	1	Disc
8	125-5069	2	Nut-Hex	25	107-7487	1	Support-Blade
9	107-0758	1	Spacer-Bearing	26	108-3762-03	1	Blade-Recycling
10	100-1048	3	Bearing-Ball	27	108-3766-03	1	Support-Blade
11	108-3790	1	Retainer-Belt	28	127-6852	2	Nut-Flange, Lock
12	605256	1	Washer-Plain	29	98-2256	1	Clamp
13	107-7471	1	Plate-Guide	30	32144-32	1	Screw
14	3231-25	1	Bolt-CARR	32	130-2360	1	Decal-Shroud
15	108-3792	1	Spring-Tension, Brake	33	121-2396	1	Decal
16	32144-102	3	Screw-HWH	34	117-2718	1	Decal-Arrester, Spark
17	117-5970	1	Pulley				

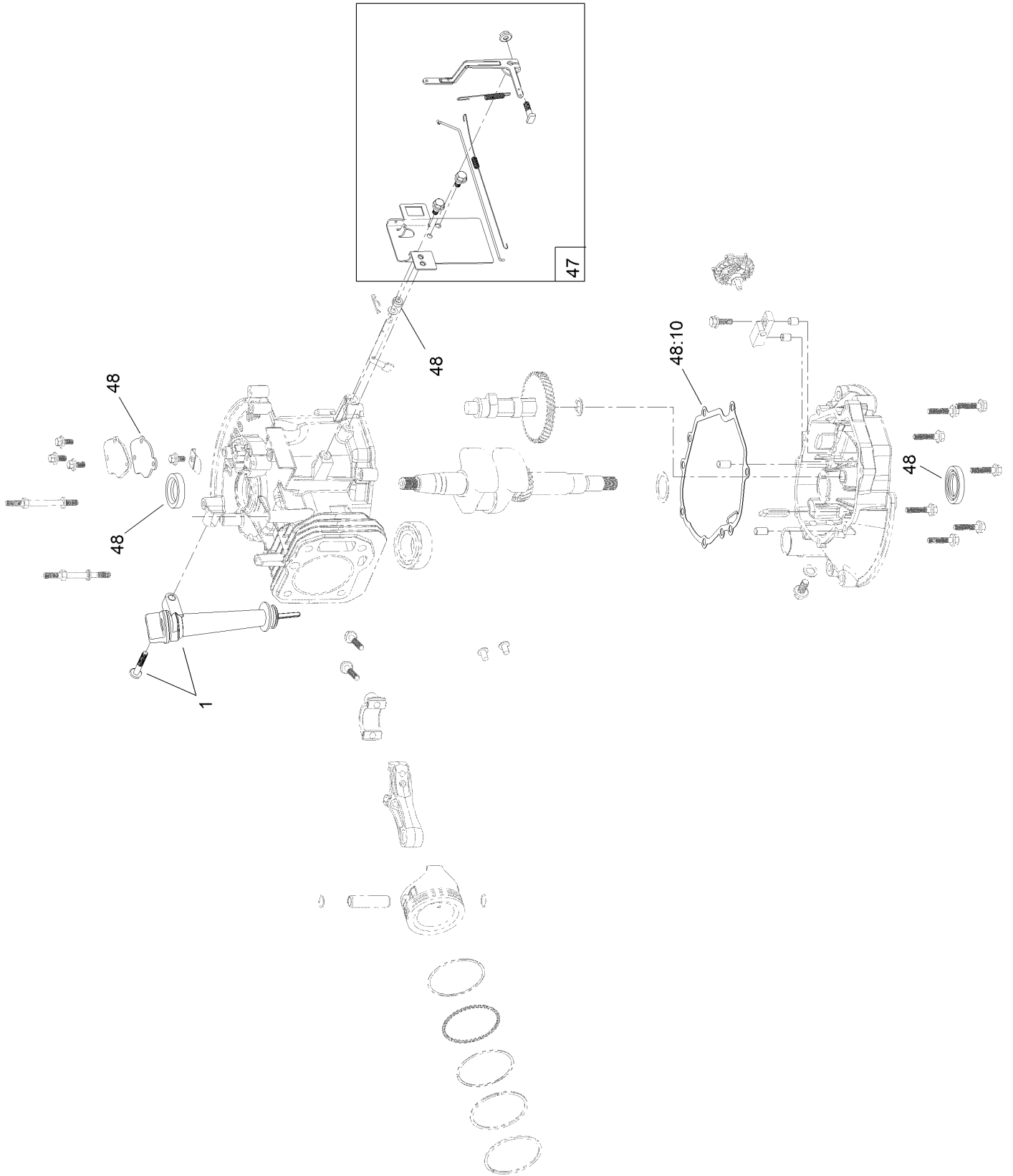
# Shroud, Flywheel and Fuel Tank Assembly Engine Assembly No. 120-4412



## Shroud, Flywheel and Fuel Tank Assembly Engine Assembly No. 120-4412 (continued)

<i>Ref.</i>	<i>Part Number</i>	<i>Qty.</i>	<i>Description</i>	<i>Ref.</i>	<i>Part Number</i>	<i>Qty.</i>	<i>Description</i>
1	119-1990	1	Shroud ASM	4:1	121-4163	1	Cap-Fuel
2	121-4160	1	Recoil And Blower Shroud Kit	5	121-4167	1	Fuel Line Kit
3	121-0388	1	Flywheel And Fan Kit	6	121-4168	1	Air Vane Kit
4	121-4162	1	Fuel Tank Kit	7	119-1994	1	Flywheel Shield Kit
				8	121-4207	1	Flywheel Guard Kit, BBC

# Dipstick and Gasket Assembly Engine Assembly No. 120-4412





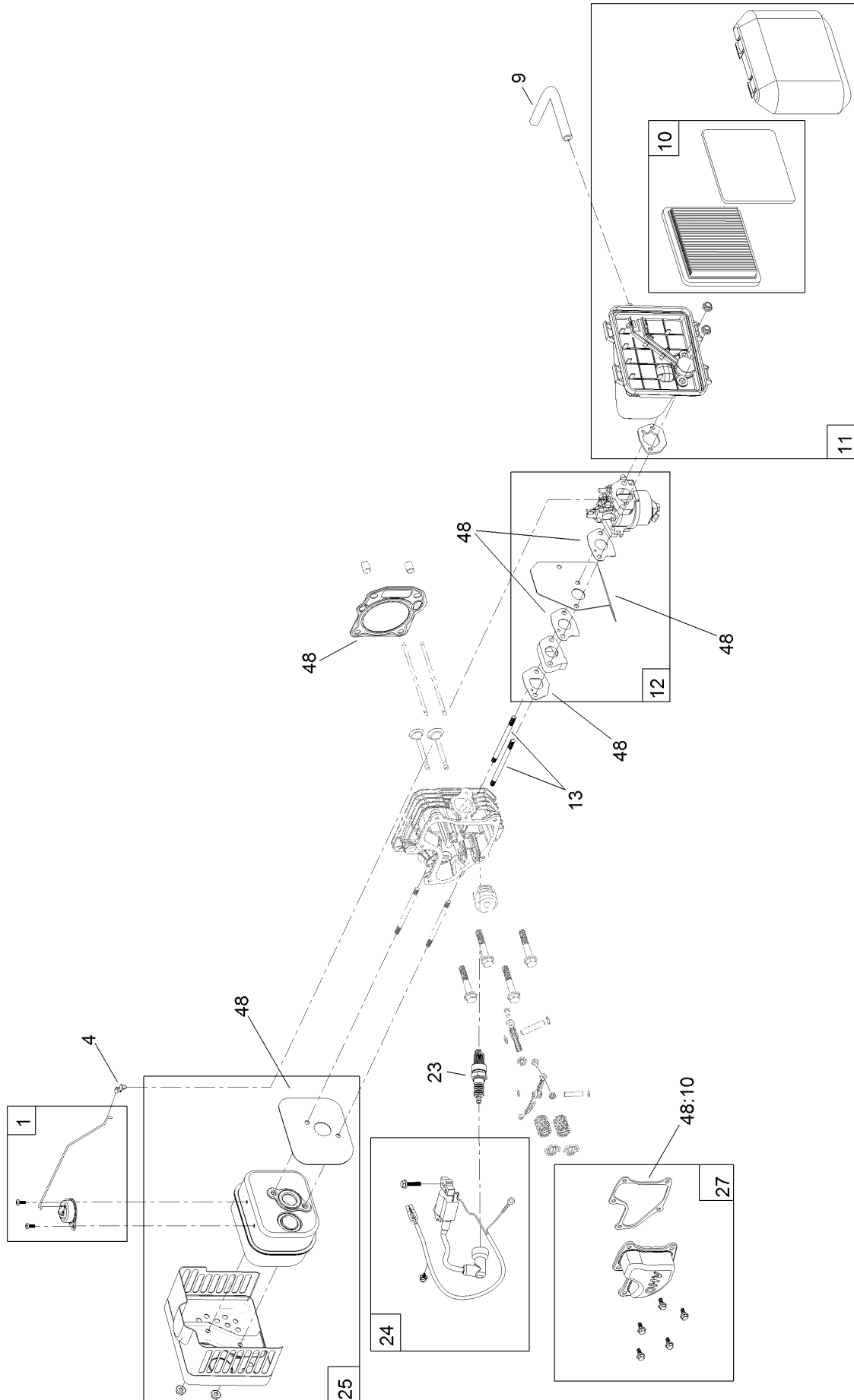
# Dipstick and Gasket Assembly

## Engine Assembly No. 120-4412 (continued)

<i>Ref.</i>	<i>Part Number</i>	<i>Qty.</i>	<i>Description</i>
1	121-4279	1	Dipstick And Fill Tube Kit
47	119-1968	1	Governor Arm Kit

<i>Ref.</i>	<i>Part Number</i>	<i>Qty.</i>	<i>Description</i>
48	127-9144	1	Seal And Gasket Kit
48:10	121-4190	1	Gasket-Valve Cover

# Carburetor, Muffler, Air Cleaner and Valve Cover Assembly Engine Assembly No. 120-4412

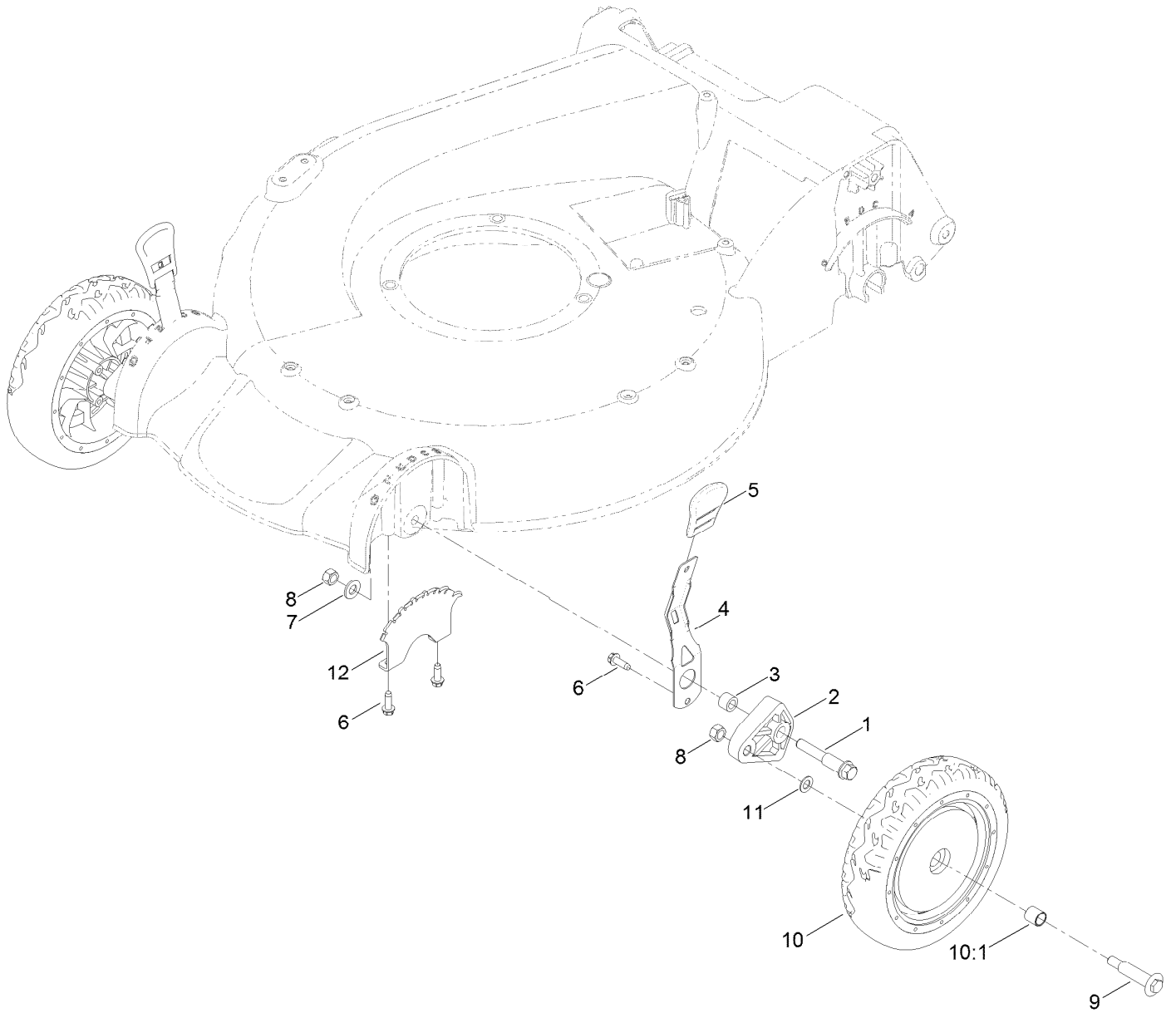


# Carburetor, Muffler, Air Cleaner and Valve Cover Assembly Engine Assembly No. 120-4412 (continued)

<i>Ref.</i>	<i>Part Number</i>	<i>Qty.</i>	<i>Description</i>	<i>Ref.</i>	<i>Part Number</i>	<i>Qty.</i>	<i>Description</i>
1	121-4175	1	Thermal Control Kit	13	121-0367	2	Stud-Intake
4	120-4451	1	Lock-Throttle	23	121-4199	1	Spark Plug
9	119-1902	1	Tube-Breather	24	121-4209	1	Ignition Coil Kit, BBC
10	119-1909	1	Air Filter And Prefilter Kit	25	121-4277	1	Muffler And Shield Kit
11	121-4177	1	Air Cleaner ASM Kit	27	121-4188	1	Valve Cover Kit
12	127-9145	1	Carb Replacement Kit	48	127-9144	1	Seal And Gasket Kit
12	127-9146	1	Carb Repair Kit With Gaskets	48:10	121-4190	1	Gasket-Valve Cover
				99	121-4242	1	High Altitude Kit ●

● Not illustrated

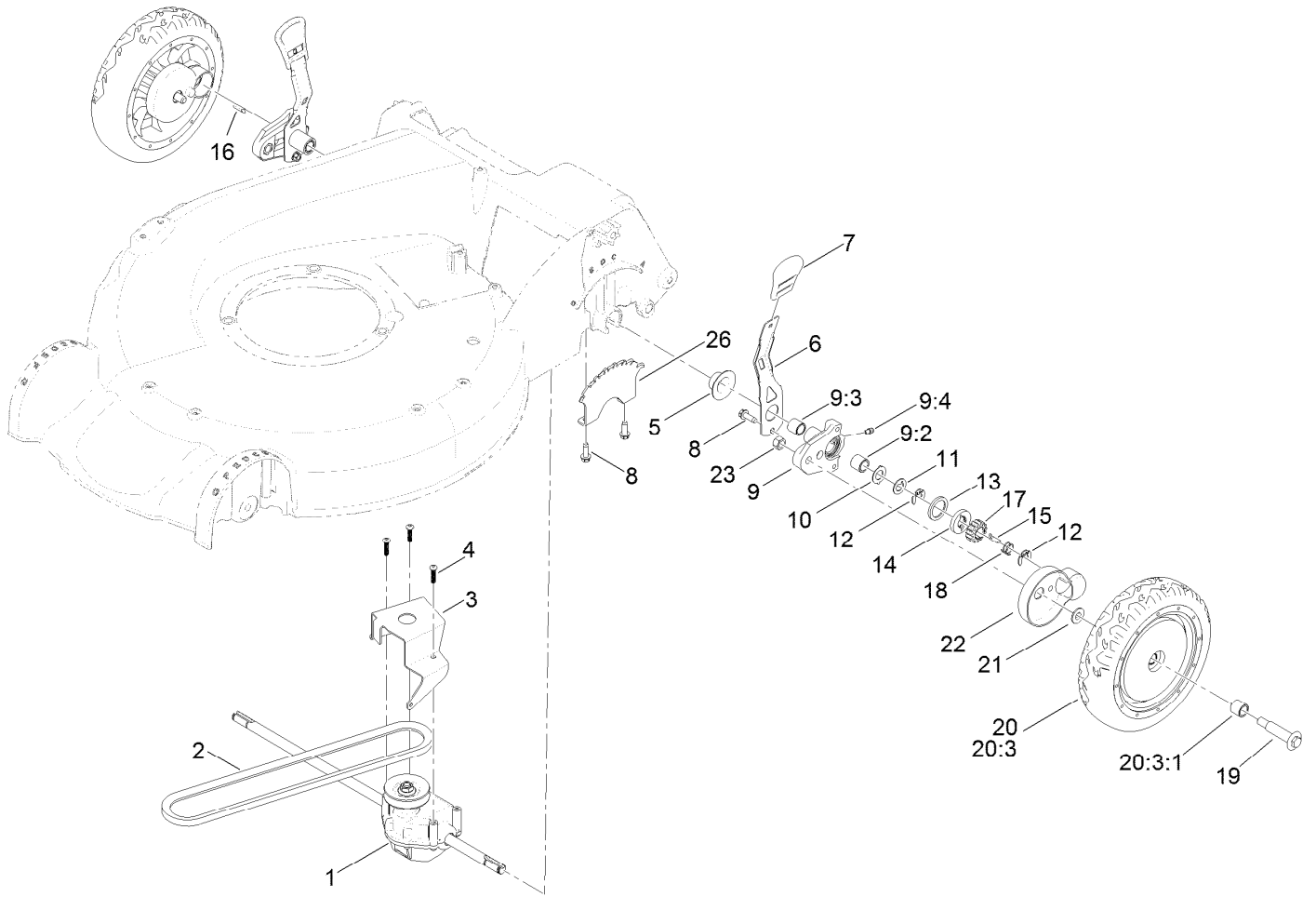
# Front Wheel and Height-of-Cut Assembly



## Front Wheel and Height-of-Cut Assembly (continued)

<i>Ref.</i>	<i>Part Number</i>	<i>Qty.</i>	<i>Description</i>	<i>Ref.</i>	<i>Part Number</i>	<i>Qty.</i>	<i>Description</i>
1	114-3467	2	Screw-Shoulder	8	125-5069	4	Nut-Hex
2	107-7492	2	Arm-Pivot	9	92-1057	2	Bolt-Shoulder
3	52-2480	2	Spacer-Wheel	10	107-3708	2	Wheel ASM
4	107-7491	2	Arm-Spring	10:1	27-6250	2	Bushing
5	110-0549	2	Knob-HOC	11	40-1940	2	Washer
6	49-2040	6	Screw-HWHTF	12	107-7478	2	Plate-HOC
7	3256-24	2	Washer-Flat				

# Rear Wheel and Height-of-Cut Assembly

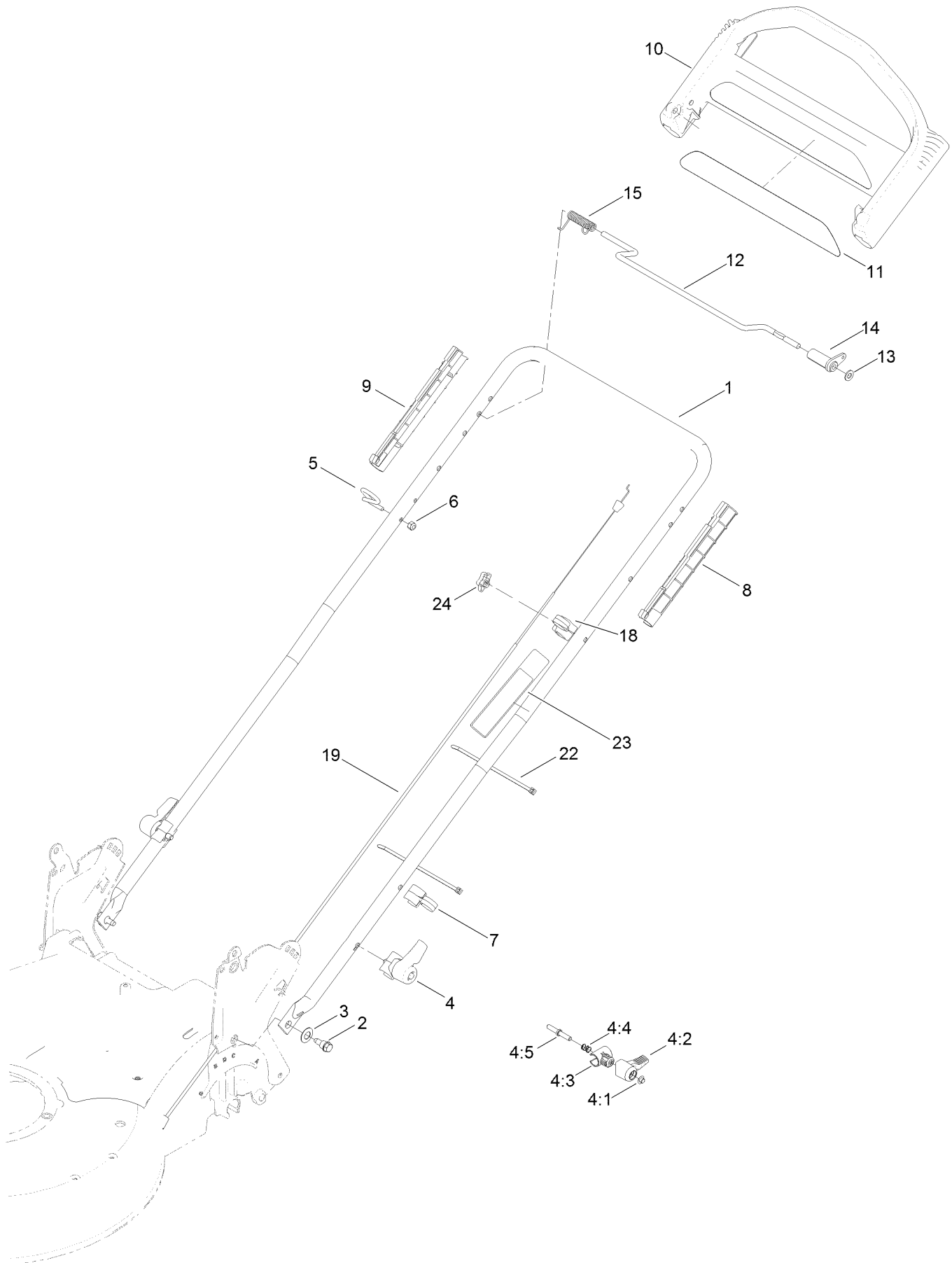


## Rear Wheel and Height-of-Cut Assembly (continued)

<i>Ref.</i>	<i>Part Number</i>	<i>Qty.</i>	<i>Description</i>	<i>Ref.</i>	<i>Part Number</i>	<i>Qty.</i>	<i>Description</i>
1	121-9184	1	Transmission ASM	13	65-4710	2	Ring-Friction
2	92-1043	1	V-Belt	14	65-4760	2	Washer-Clutch
3	114-7977-03	1	Bracket-Transmission	15	66-6050	1	Key-Rocking, LH
4	108-7476	3	Screw-Plastite	16	66-6040	1	Key-Rocking, RH
5	42-3520	2	Cap-End	17	65-4750	2	Gear-Pinion
6	107-7491	2	Arm-Spring	18	65-4720	2	Spring-Compression
7	110-0549	2	Knob-HOC	19	92-1057	2	Bolt-Shoulder
8	49-2040	6	Screw-HWHTF	20	107-3709	2	Wheel Gear ASM
9	100-8774	2	Pivot Arm ASM	20:3		1	Wheel ASM ●
9:2	47-2900	1	Bushing	20:3:1	27-6250	2	Bushing
9:3	70-9760	1	Bushing	21	74-1671	2	Spacer-Cover, Wheel
9:4	302-56	1	Fitting-Grease	22	74-1660	2	Cover-Wheel
10	65-4730	2	Washer-Arm, Pivot	23	125-5069	2	Nut-Hex
11	65-4740	4	Washer-Thrust, Keyed	26	107-7478	2	Plate-HOC
12	65-2720	4	Ring-Clip, Locking				

● Not serviced separately

# Handle Assembly

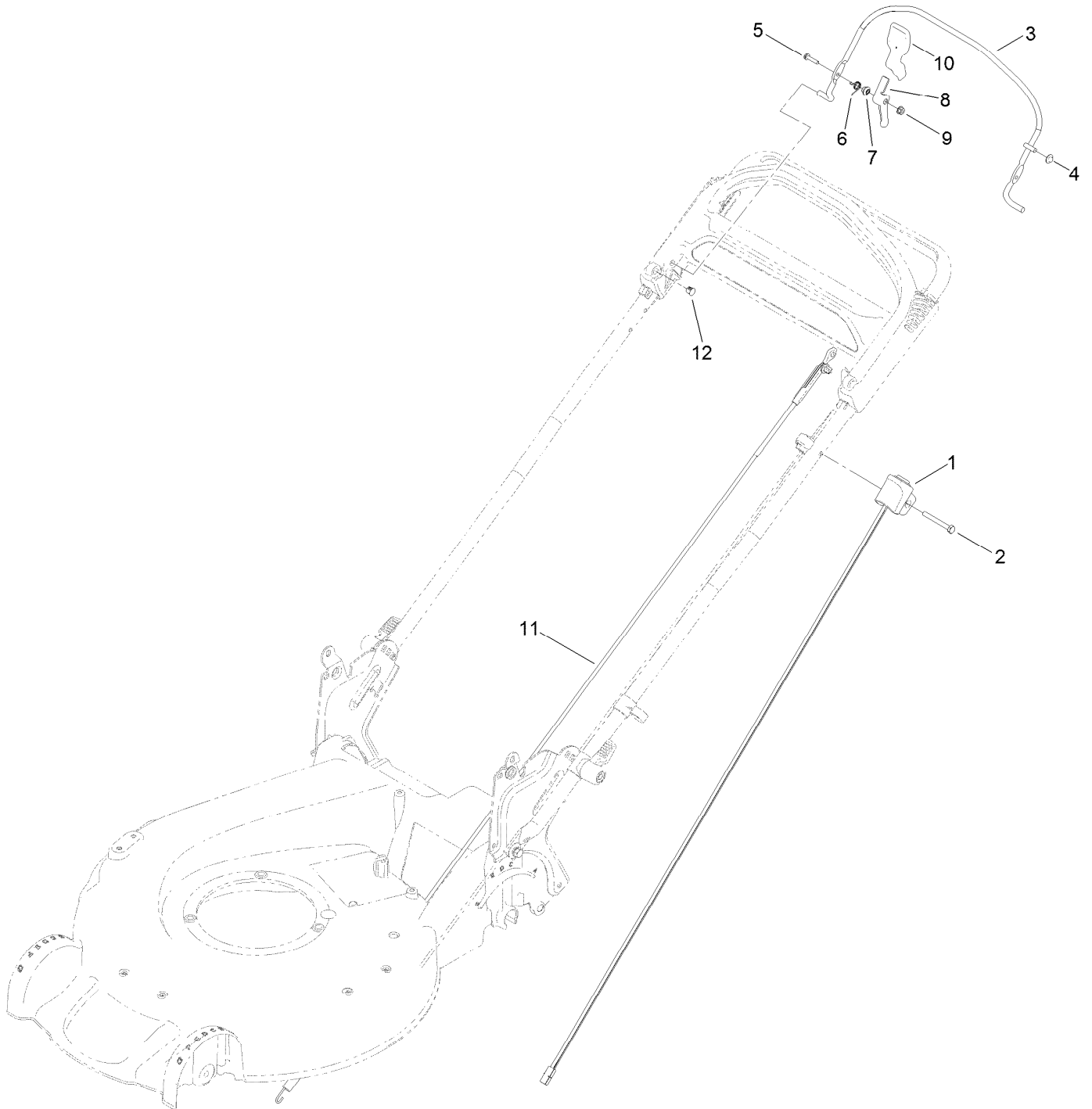




## Handle Assembly (continued)

<i>Ref.</i>	<i>Part Number</i>	<i>Qty.</i>	<i>Description</i>	<i>Ref.</i>	<i>Part Number</i>	<i>Qty.</i>	<i>Description</i>
1	121-9167-05	1	Handle	9	105-6841	1	Guide-RH
2	115-1958	2	Bolt-Shoulder	10	104-8678	1	Handle-Control
3	112-9972	2	Washer-Spring, Conical	11	117-1019	1	Decal
4	115-2860	2	Quick Release ASM	12	99-1588	1	Bar-Control, Traction
4:1	109-0917	1	Nut-Push	13	3256-23	1	Washer-Plain
4:2	114-7995	1	Lever	14	99-1589	1	Lever-Traction
4:3	114-7996	1	Anchor-Spring	15	121-9118	1	Spring-Torsion
4:4	115-2858	1	Spring-Compression	18	99-5239	1	Anchor-Cable
4:5	114-2675	1	Rod-Release	19	108-8158	1	Cable-Traction
5	86-9671	1	Guide-Rope	22	614249	3	Tie-Cable
6	3296-73	1	Nut-Lock, NI	23	131-0894	1	Decal-Traction, Adjust
7	114-7988	1	Guide-Cable	24	131-0897	1	Knob-Handle, Locking
8	105-6842	1	Guide-LH				

# Brake Control Assembly



## Brake Control Assembly (continued)

<i>Ref.</i>	<i>Part Number</i>	<i>Qty.</i>	<i>Description</i>	<i>Ref.</i>	<i>Part Number</i>	<i>Qty.</i>	<i>Description</i>
1	121-2347	1	Harness	7	107-7463	1	Spacer
2	321-50	1	Screw-HH	8	106-6802	1	Lever
3	108-3788-03	1	Bail-Brake	9	32128-17	1	Nut-Lock, Flange
4	3290-337	1	Nut-Speed	10	112-8884	1	Knob
5	106-9169	1	Screw-HWH	11	108-8155	1	Cable ASM
6	107-7462	1	Spring-Torsion	12	104-9368	1	Plug-Dome

# Attachments and Accessories

## For 20383 Super Recycler Lawn Mower

<b>Product Name</b>	<b>Model/Part</b>
Bagging Blade .....	108-3759-03
Traction Assist Handle Kit.....	108-8120
High-Altitude Kit.....	121-4242
Engine Maintenance Kit.....	20240
Lawnmower Cover.....	490-7462

**Notes:**

**Notes:**

**Notes:**



**Count on it.**