



**Count on it.**

**Parts Catalog**

**Super Recycler®**

**Lawn Mower**

Model No. 20383—Serial No. 316000001 and Up



# Ordering Replacement Parts

To order replacement parts, please supply the part number, the quantity, and the description of each part desired.

## Understanding Reference Numbers

Each identified part in an illustration has a reference number. The reference number for a part also appears in the parts list, along with other information about the part.

This catalog uses two special reference number formats, one to indicate parts in a service assembly and another to indicate the quantity of a given part in an illustration.

## Service Assembly Reference Numbers

Parts in service assemblies have reference numbers in the form a:b. The a represents the reference number of the entire service assembly and the b represents a sequential number unique to each part within the service assembly.

For example, a wheel assembly might be identified by reference number 6, the tire by 6:1, the valve by 6:2, and the wheel by 6:3. When you order the assembly identified by reference number 6, you receive all parts identified by reference numbers 6:1, 6:2, and 6:3. However, you may also order any part individually. Reference numbers of this type appear in illustration and in parts lists.

## Reference Numbers Indicating Quantity

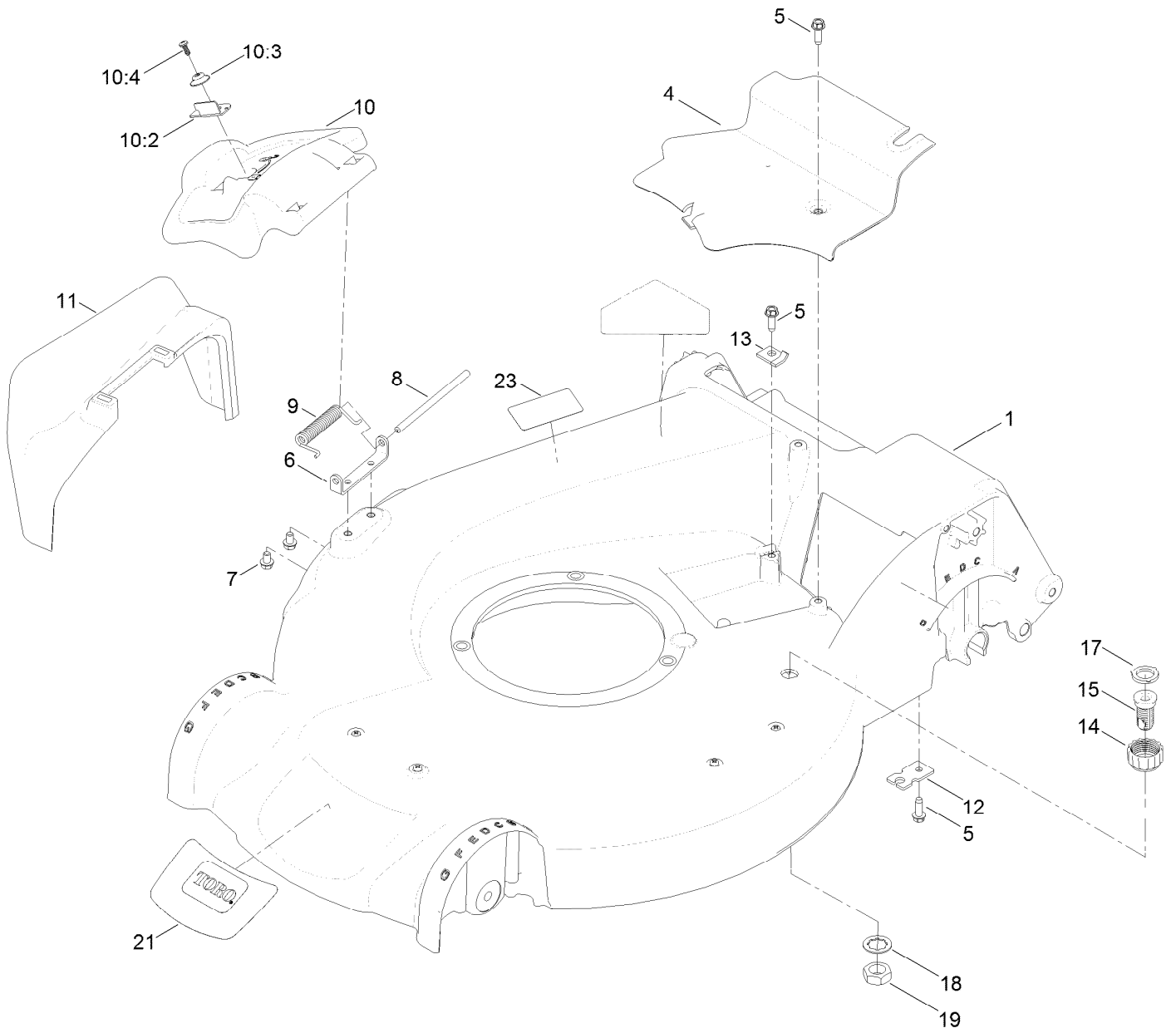
In an illustration, if a reference number indicates more than one part, the reference number has the form nX y. The n represents the quantity of the part, the X is the multiplication symbol, and the y represents the reference number.

For example, in an illustration, the reference number 2X 37 means that two of the parts identified by reference number 37 are indicated.

# Contents

Housing Assembly .....	4
Housing Assembly No. 115-2854 .....	6
Rear Door and Mulch Plug Assembly .....	8
Bag Assembly .....	10
Engine and Blade Drive Assembly .....	12
Shroud, Flywheel and Fuel Tank Assembly .....	14
Dipstick and Gasket Assembly .....	16
Carburetor, Muffler and Valve Cover Assembly .....	18
Front Wheel and Height-of-Cut Assembly .....	20
Rear Wheel and Height-of-Cut Assembly .....	22
Handle Assembly .....	24
Brake Control Assembly .....	26
Attachments and Accessories .....	28

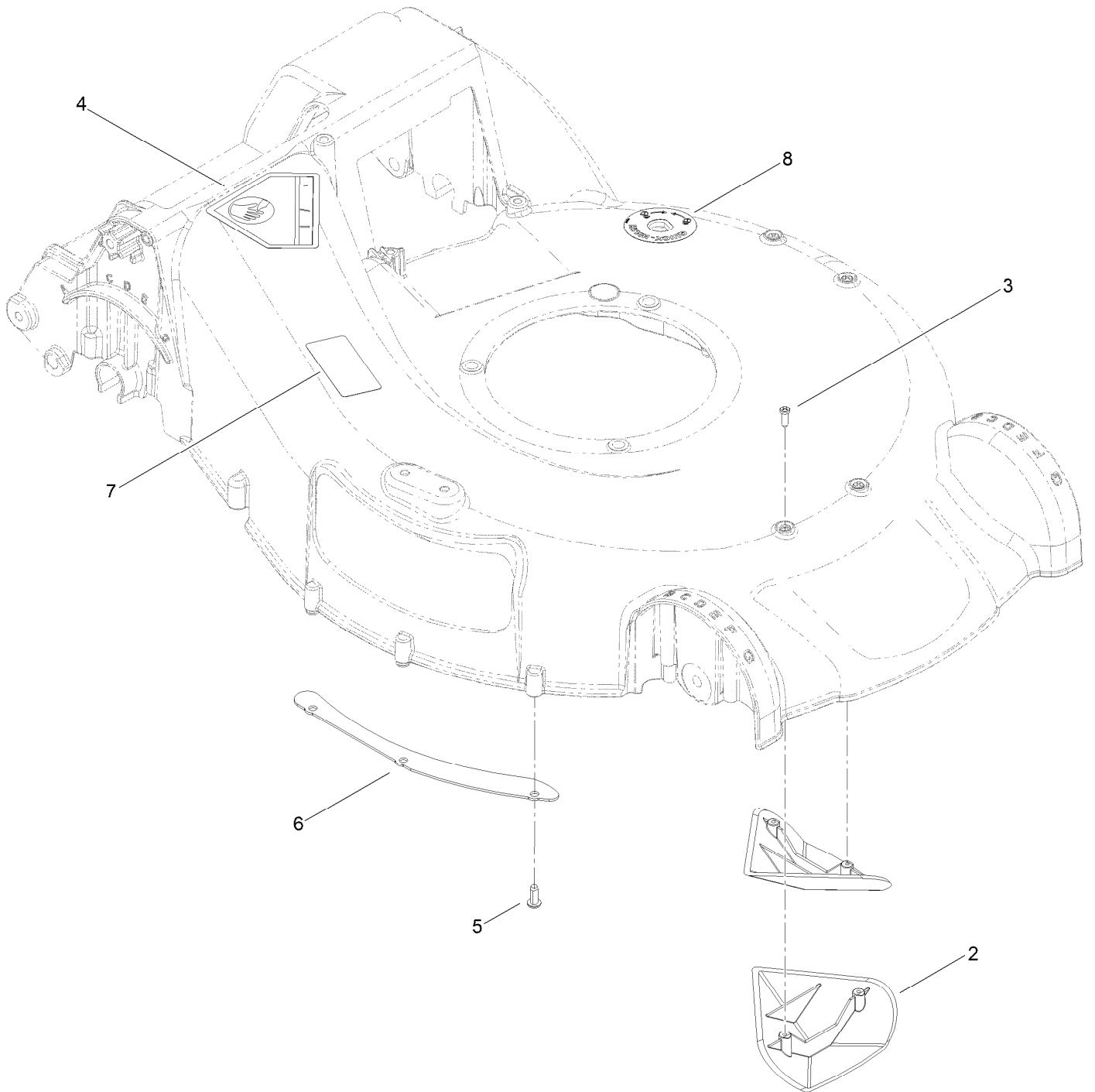
# Housing Assembly



## Housing Assembly (continued)

<i>Ref.</i>	<i>Part Number</i>	<i>Qty.</i>	<i>Description</i>	<i>Ref.</i>	<i>Part Number</i>	<i>Qty.</i>	<i>Description</i>
1	115-2854	1	Housing ASM	11	108-3753	1	Chute-Discharge, Side
4	107-7494	1	Cover-Belt	12	107-7497	1	Bracket-Cable, Traction
5	49-2040	3	Screw-HWHTF	13	62-3720	1	Clamp-Cable
6	112-6416	1	Bracket-Cover	14	112-6401	1	Coupling-Hose, Washout Port
7	99-8445	2	Screw-HWH	15	112-6400	1	Port-Washout
8	99-5291	1	Rod-Cover	17	112-6438	1	Washer-Seal, Washout Port
9	99-5293	1	Spring-Torsion	18	3254-5	1	Washer-Tooth, Internal
10	107-3717	1	Discharge Door ASM	19	3218-6	1	Nut-Jam
10:2	107-0795	1	Latch-Door	21	121-5758	1	Decal-Deck
10:3	107-7456	1	Cap-Door	23	125-5092	1	Decal-Placement, Foot
10:4	107-7461	1	Screw-Plastite				

# Housing Assembly No. 115-2854

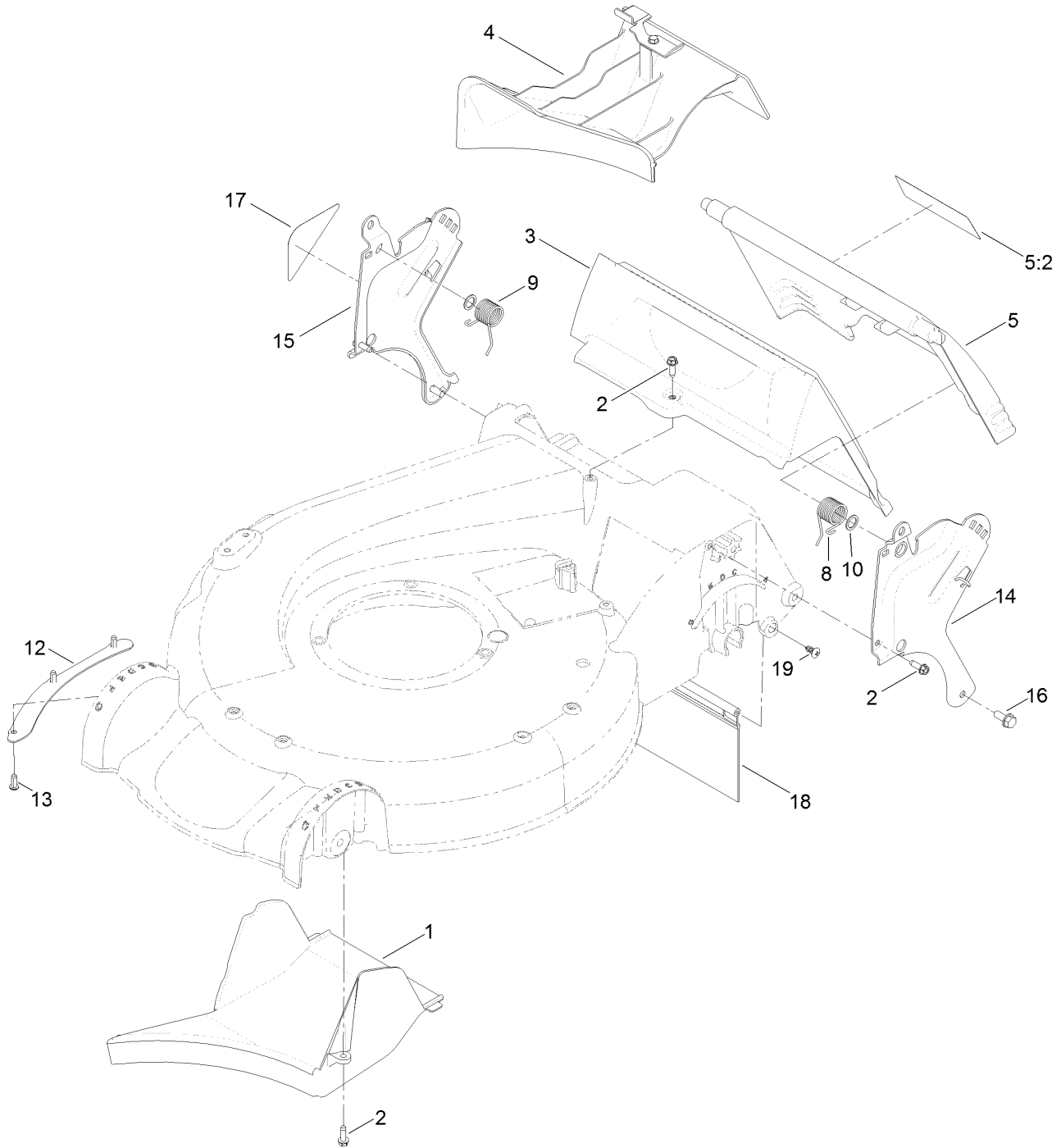


# Housing Assembly No. 115-2854 (continued)

<i>Ref.</i>	<i>Part Number</i>	<i>Qty.</i>	<i>Description</i>
2	108-3798	2	Kicker-Housing
3	32144-111	4	Screw-PPH
4	94-8072	1	Decal-Danger
5	63-8590	3	Screw

<i>Ref.</i>	<i>Part Number</i>	<i>Qty.</i>	<i>Description</i>
6	105-1316-03	1	Sheet-Lip
7	125-5092	1	Decal-Placement, Foot
8	112-8867	1	Decal-Port, Washout

# Rear Door and Mulch Plug Assembly

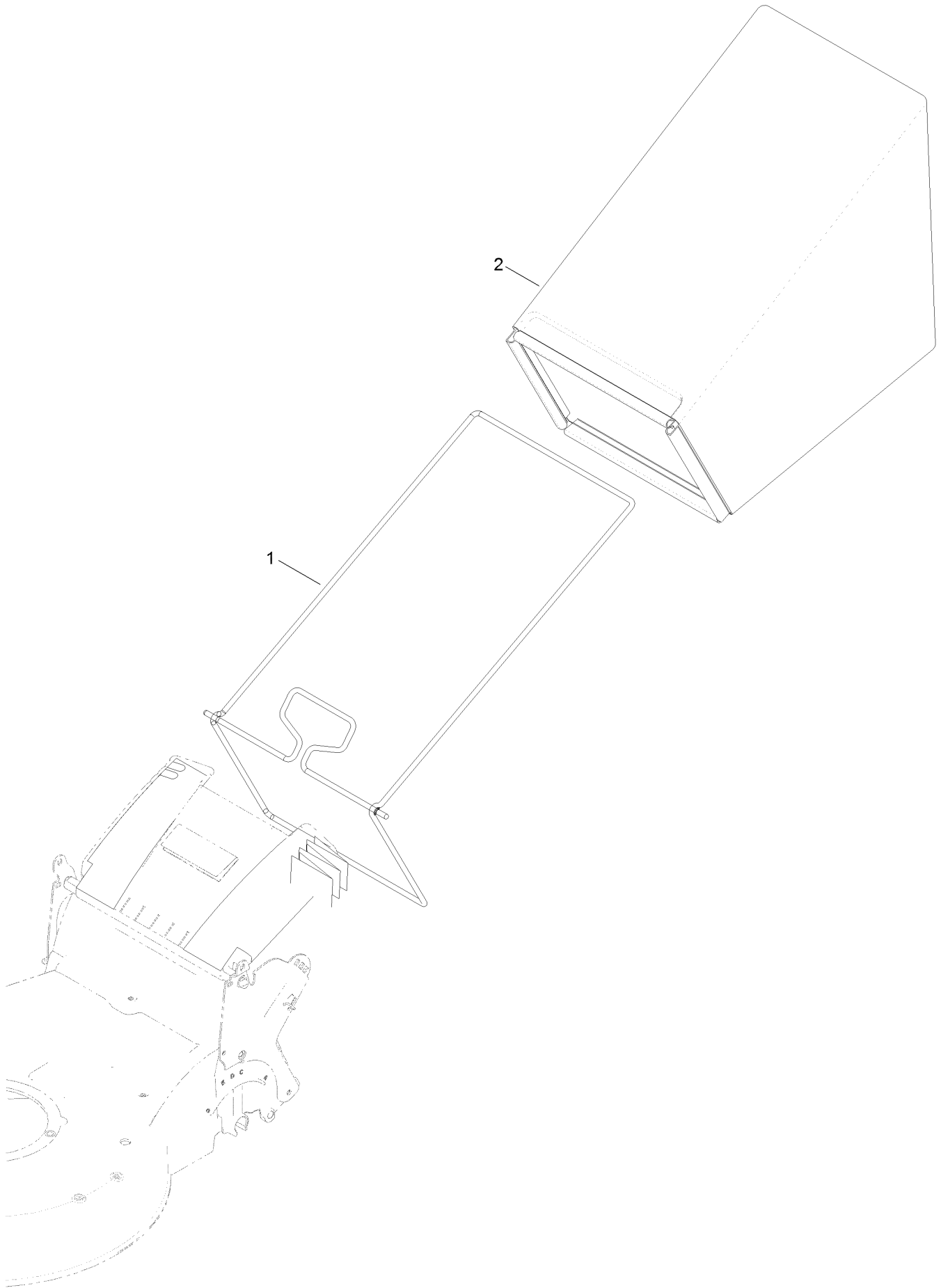




## Rear Door and Mulch Plug Assembly (continued)

<i>Ref.</i>	<i>Part Number</i>	<i>Qty.</i>	<i>Description</i>	<i>Ref.</i>	<i>Part Number</i>	<i>Qty.</i>	<i>Description</i>
1	107-7495	1	Tunnel-Discharge	12	105-1316-03	1	Sheet-Lip
2	49-2040	5	Screw-HWHTF	13	63-8590	3	Screw
3	114-2668	1	Chute	14	114-2671-03	1	Bracket-Handle, LH
4	115-8413	1	Mulch Plug ASM	15	114-2672-03	1	Bracket-Handle, RH
5	121-5776	1	Rear Door ASM	16	32144-11	2	Screw-HWHTF
5:2	131-4514	1	Decal-Warning	17	115-2884	1	Decal-Instruction
8	115-2859	1	Spring-Torsion	18	120-7011	1	Shield-Trailing
9	114-7924	1	Spring-Torsion	19	117-1092	2	Screw-PTH
10	94-8196	2	Washer-Nylon				

# Bag Assembly



## Bag Assembly (continued)

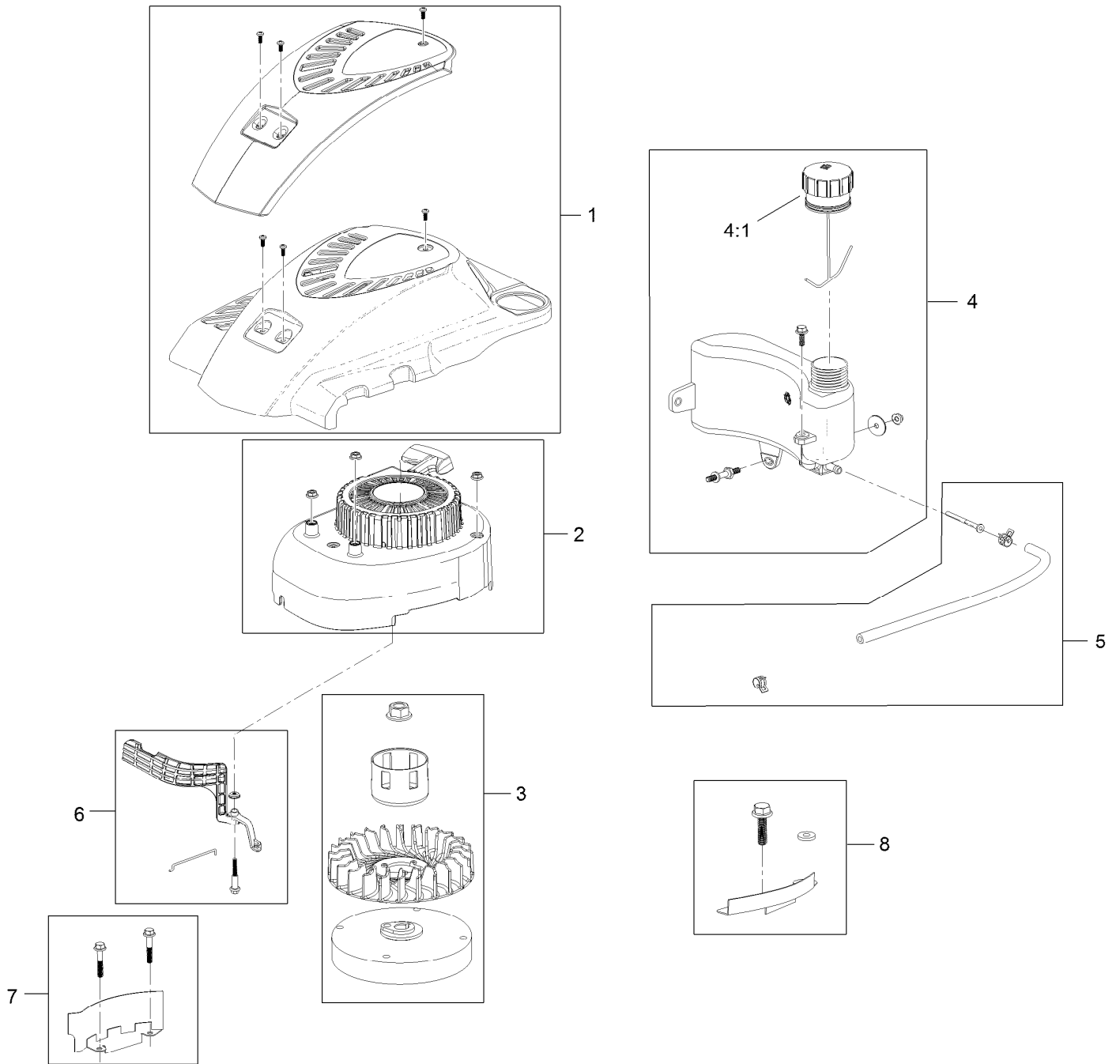
<i>Ref.</i>	<i>Part Number</i>	<i>Qty.</i>	<i>Description</i>
1	132-4503-03	1	Frame-Bag
2	114-2664	1	Grass Bag ASM



## Engine and Blade Drive Assembly (continued)

<i>Ref.</i>	<i>Part Number</i>	<i>Qty.</i>	<i>Description</i>	<i>Ref.</i>	<i>Part Number</i>	<i>Qty.</i>	<i>Description</i>
1	120-4412	1	Engine-1P65Fc	18	110-1790	1	Belt
2	107-0761	1	Plate-Anchor	19	108-9342	1	Nut-Hex
3	107-0759	1	Bolt-Shoulder	20	107-0754	1	Drum
4	107-0797	1	Bushing	21	3211-42	2	Screw-HH
5	3256-16	1	Washer-Flat	22	107-7488	1	Cover
6	3296-73	1	Nut-Lock, NI	23	49-2040	3	Screw-HWHTF
7	125-1063	1	Plate-Brake	24	108-3787	1	Disc
8	125-5069	2	Nut-Hex	25	107-7487	1	Support-Blade
9	107-0758	1	Spacer-Bearing	26	108-3762-03	1	Blade-Recycling
10	38-7820	3	Bearing-Ball	27	108-3766-03	1	Support-Blade
11	108-3790	1	Retainer-Belt	28	127-6852	2	Nut-Flange, Lock
12	605256	1	Washer-Plain	29	98-2256	1	Clamp
13	107-7471	1	Plate-Guide	30	32144-32	1	Screw
14	3231-25	1	Bolt-CARR	32	130-2360	1	Decal-Shroud
15	108-3792	1	Spring-Tension, Brake	33	121-2396	1	Decal
16	32144-102	3	Screw-HWH	34	117-2718	1	Decal-Arrester, Spark
17	117-5970	1	Pulley				

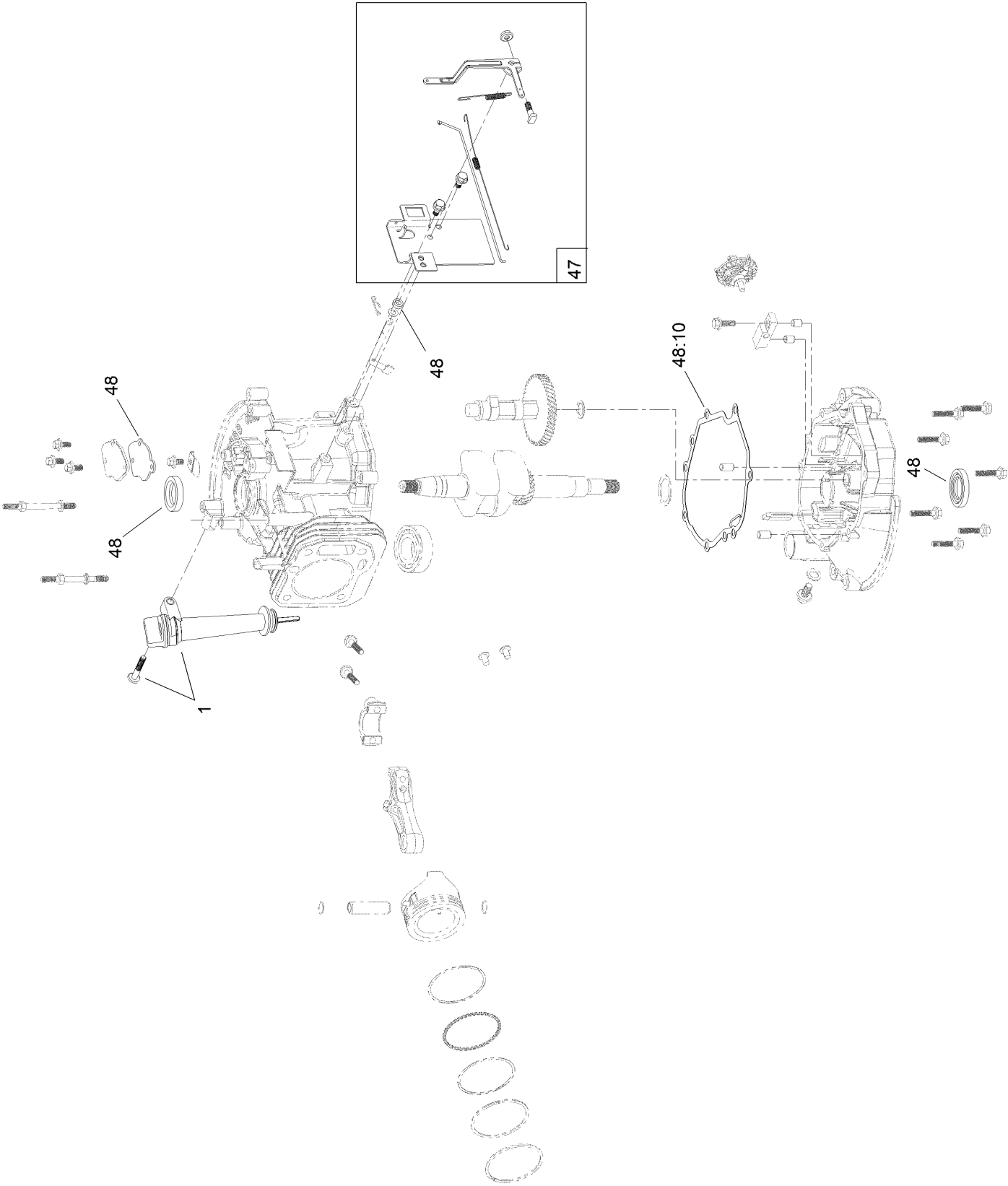
# Shroud, Flywheel and Fuel Tank Assembly



## Shroud, Flywheel and Fuel Tank Assembly (continued)

<i>Ref.</i>	<i>Part Number</i>	<i>Qty.</i>	<i>Description</i>	<i>Ref.</i>	<i>Part Number</i>	<i>Qty.</i>	<i>Description</i>
1	119-1990	1	Shroud ASM	4:1	121-4163	1	Cap-Fuel
2	121-4160	1	Recoil And Blower Shroud Kit	5	121-4167	1	Fuel Line Kit
3	121-0388	1	Flywheel And Fan Kit	6	121-4168	1	Air Vane Kit
4	121-4162	1	Fuel Tank Kit	7	119-1994	1	Flywheel Shield Kit
				8	121-4207	1	Flywheel Guard Kit, BBC

# Dipstick and Gasket Assembly





## Dipstick and Gasket Assembly (continued)

<i>Ref.</i>	<i>Part Number</i>	<i>Qty.</i>	<i>Description</i>	<i>Ref.</i>	<i>Part Number</i>	<i>Qty.</i>	<i>Description</i>
1	121-4279	1	Dipstick And Fill Tube Kit	48	127-9144	1	Seal And Gasket Kit
47	119-1968	1	Governor Arm Kit	48:10	121-4190	1	Gasket-Valve Cover

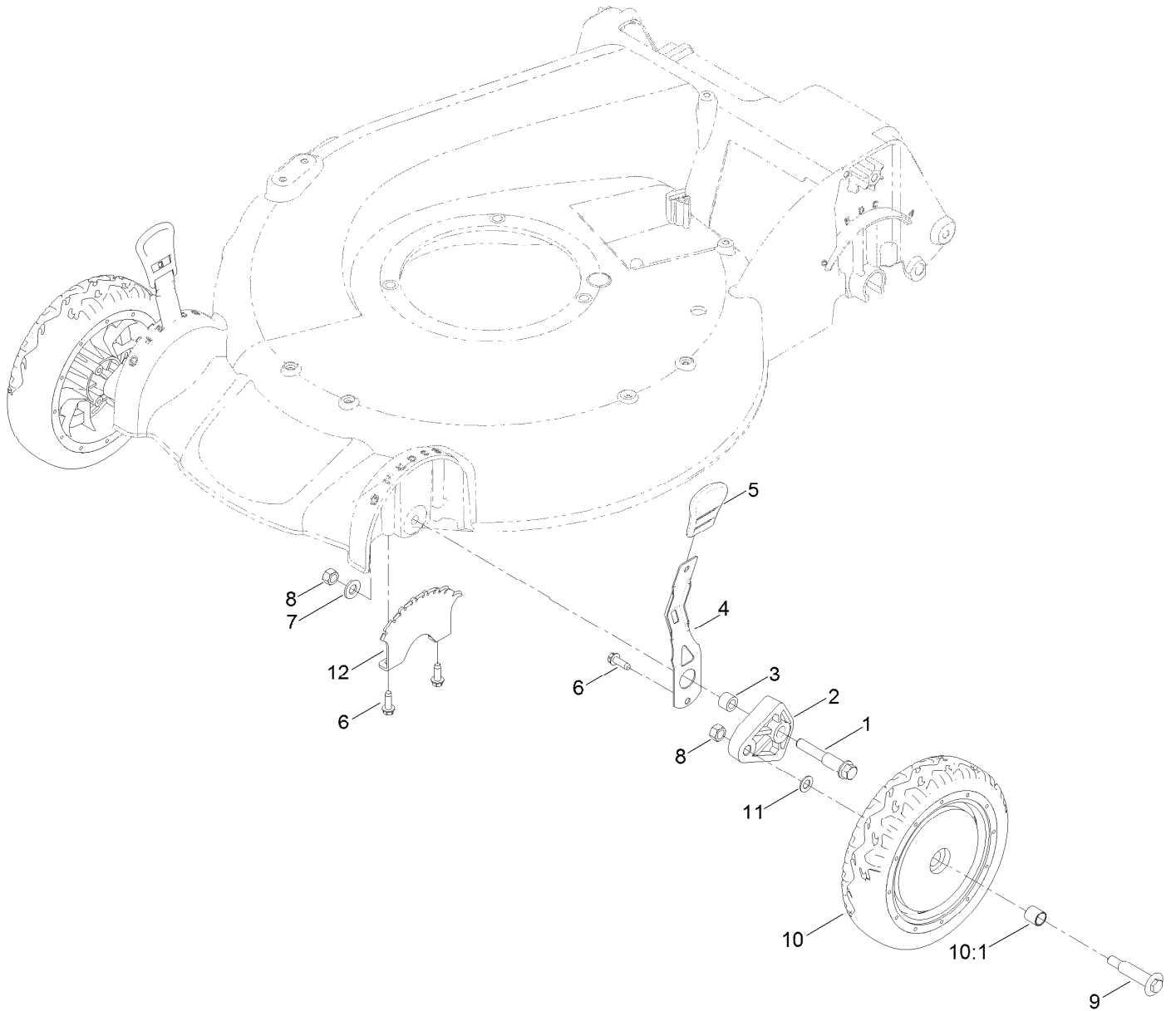


# Carburetor, Muffler and Valve Cover Assembly (continued)

<i>Ref.</i>	<i>Part Number</i>	<i>Qty.</i>	<i>Description</i>	<i>Ref.</i>	<i>Part Number</i>	<i>Qty.</i>	<i>Description</i>
1	121-4175	1	Thermal Control Kit	13	121-0367	2	Stud-Intake
4	120-4451	1	Lock-Throttle	23	121-4199	1	Spark Plug
9	119-1902	1	Tube-Breather	24	121-4209	1	Ignition Coil Kit, BBC
10	119-1909	1	Air Filter And Prefilter Kit	25	121-4277	1	Muffler And Shield Kit
11	121-4177	1	Air Cleaner ASM Kit	27	121-4188	1	Valve Cover Kit
12	127-9145	1	Carb Replacement Kit	48	127-9144	1	Seal And Gasket Kit
12	127-9146	1	Carb Repair Kit With Gaskets	48:10	121-4190	1	Gasket-Valve Cover
				99	121-4242	1	High Altitude Kit ●

● Not illustrated

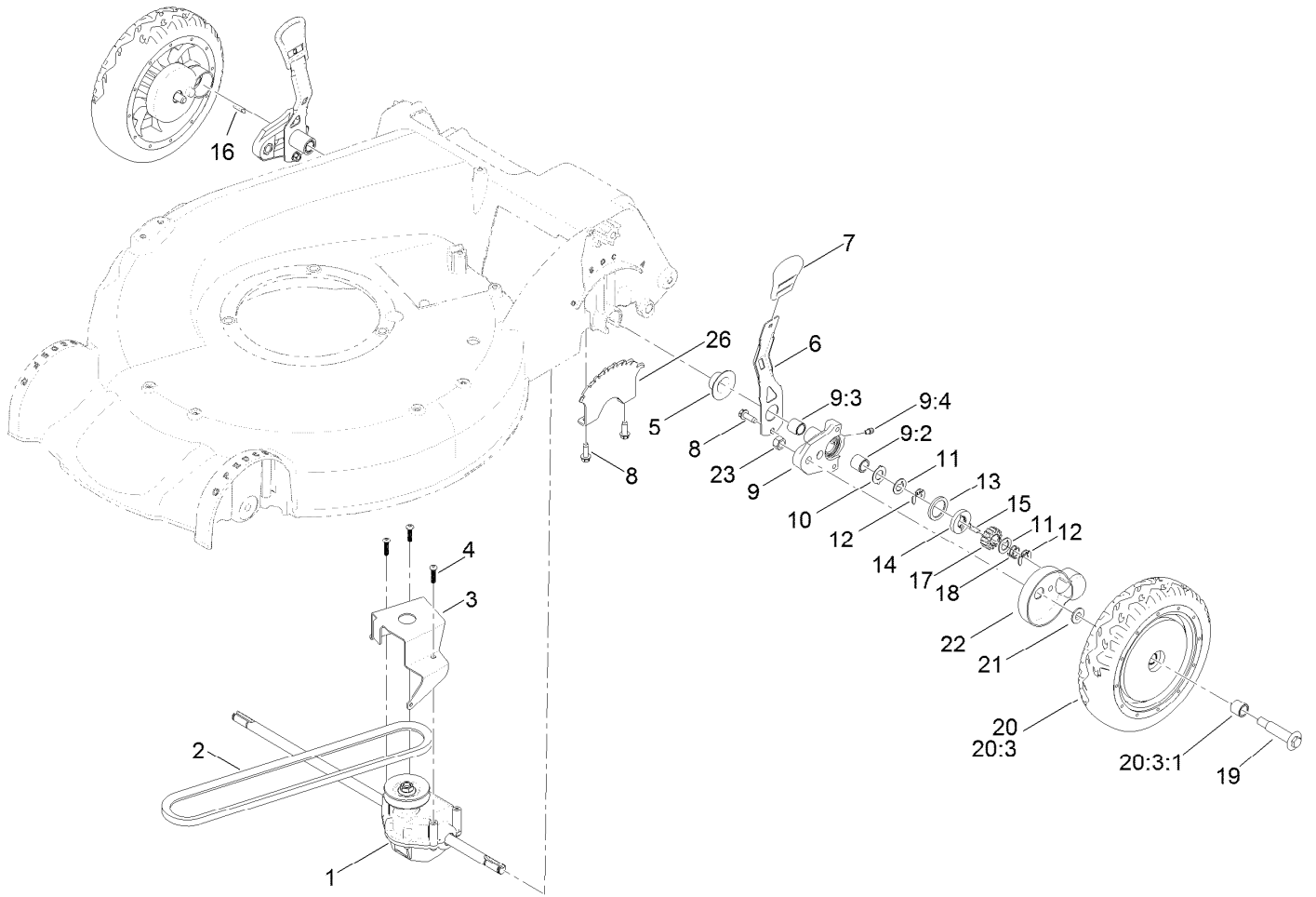
# Front Wheel and Height-of-Cut Assembly



## Front Wheel and Height-of-Cut Assembly (continued)

<i>Ref.</i>	<i>Part Number</i>	<i>Qty.</i>	<i>Description</i>	<i>Ref.</i>	<i>Part Number</i>	<i>Qty.</i>	<i>Description</i>
1	114-3467	2	Screw-Shoulder	8	125-5069	4	Nut-Hex
2	107-7492	2	Arm-Pivot	9	92-1057	2	Bolt-Shoulder
3	52-2480	2	Spacer-Wheel	10	107-3708	2	Wheel ASM
4	107-7491	2	Arm-Spring	10:1	27-6250	2	Bushing
5	110-0549	2	Knob-HOC	11	40-1940	2	Washer
6	49-2040	6	Screw-HWHTF	12	107-7478	2	Plate-HOC
7	3256-24	2	Washer-Flat				

# Rear Wheel and Height-of-Cut Assembly

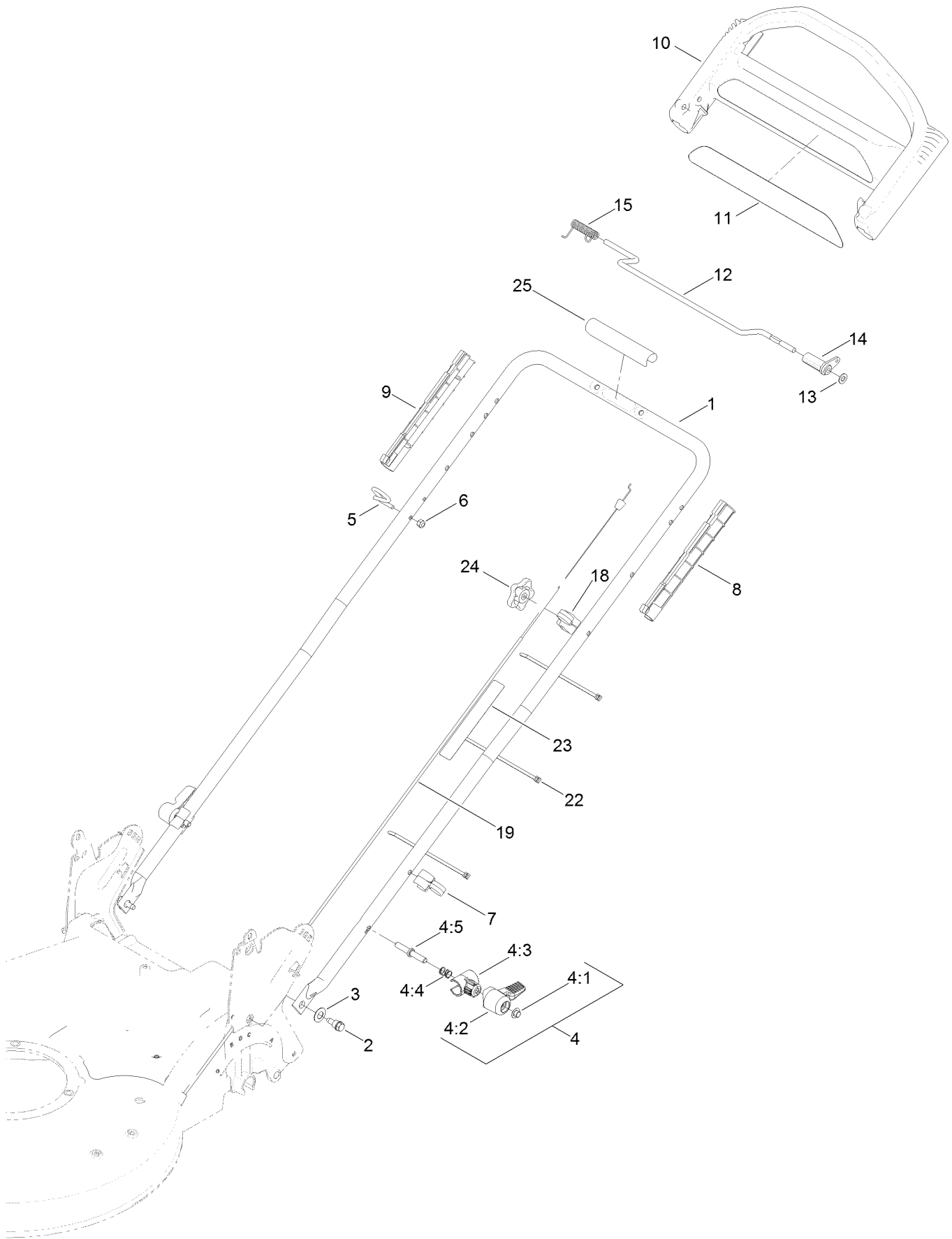


## Rear Wheel and Height-of-Cut Assembly (continued)

<i>Ref.</i>	<i>Part Number</i>	<i>Qty.</i>	<i>Description</i>	<i>Ref.</i>	<i>Part Number</i>	<i>Qty.</i>	<i>Description</i>
1	121-9184	1	Transmission ASM	13	65-4710	2	Ring-Friction
2	92-1043	1	V-Belt	14	65-4760	2	Washer-Clutch
3	114-7977-03	1	Bracket-Transmission	15	66-6050	1	Key-Rocking, LH
4	108-7476	3	Screw-Plastite	16	66-6040	1	Key-Rocking, RH
5	42-3520	2	Cap-End	17	65-4750	2	Gear-Pinion
6	107-7491	2	Arm-Spring	18	65-4720	2	Spring-Compression
7	110-0549	2	Knob-HOC	19	92-1057	2	Bolt-Shoulder
8	49-2040	6	Screw-HWHTF	20	107-3709	2	Wheel Gear ASM
9	100-8774	2	Pivot Arm ASM	20:3		1	Wheel ASM ●
9:2	47-2900	1	Bushing	20:3:1	27-6250	2	Bushing
9:3	70-9760	1	Bushing	21	74-1671	2	Spacer-Cover, Wheel
9:4	302-56	1	Fitting-Grease	22	74-1660	2	Cover-Wheel
10	65-4730	2	Washer-Arm, Pivot	23	125-5069	2	Nut-Hex
11	65-4740	4	Washer-Thrust, Keyed	26	107-7478	2	Plate-HOC
12	65-2720	4	Ring-Clip, Locking				

● Not serviced separately

# Handle Assembly

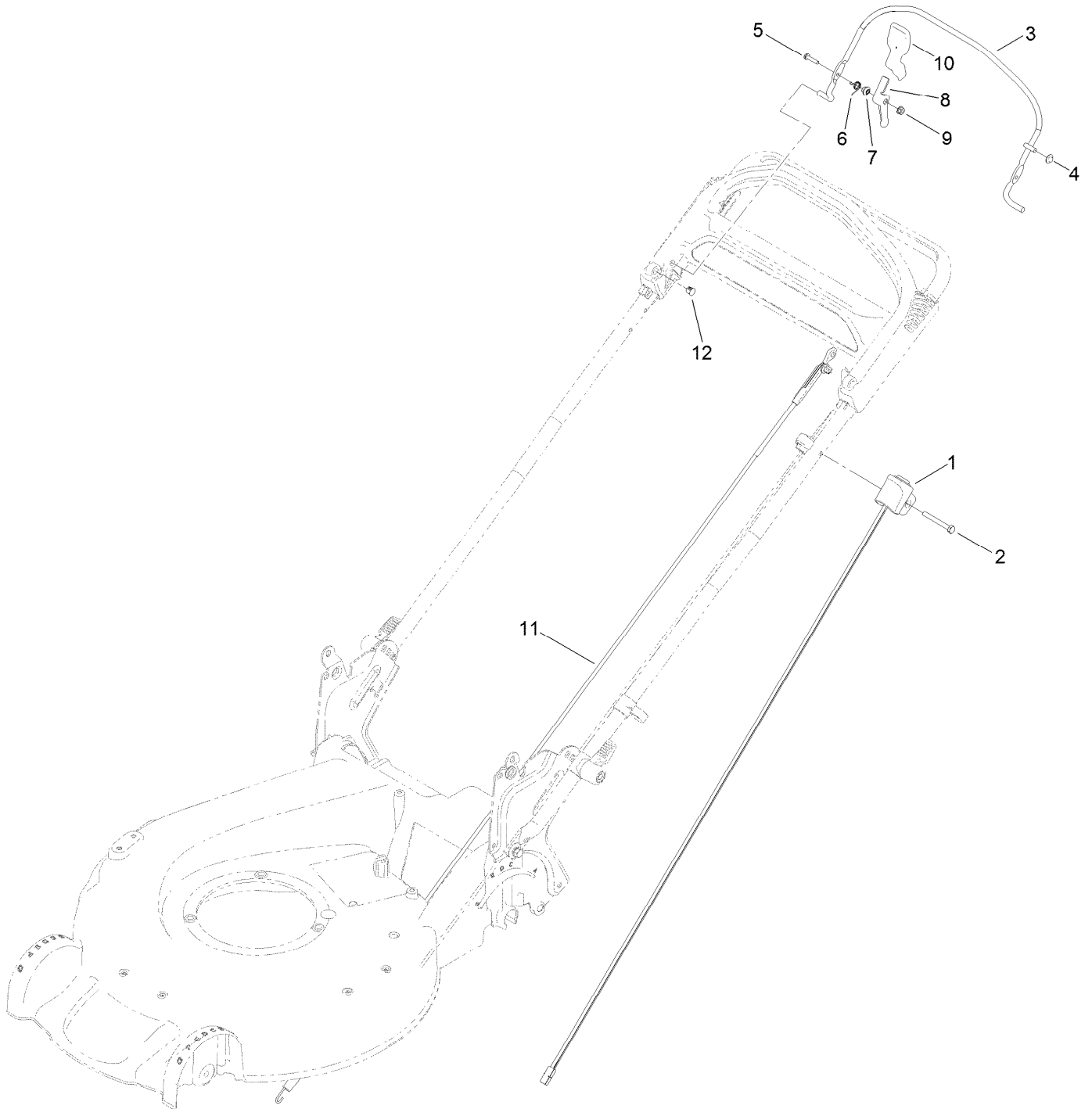




## Handle Assembly (continued)

<i>Ref.</i>	<i>Part Number</i>	<i>Qty.</i>	<i>Description</i>	<i>Ref.</i>	<i>Part Number</i>	<i>Qty.</i>	<i>Description</i>
1	132-4460-05	1	Handle	9	105-6841	1	Guide-RH
2	115-1958	2	Bolt-Shoulder	10	104-8678	1	Handle-Control
3	112-9972	2	Washer-Spring, Conical	11	117-1019	1	Decal
4	115-2860	2	Quick Release ASM	12	99-1588	1	Bar-Control, Traction
4:1	109-0917	1	Nut-Push	13	3256-23	1	Washer-Plain
4:2	114-7995	1	Lever	14	99-1589	1	Lever-Traction
4:3	114-7996	1	Anchor-Spring	15	121-9118	1	Spring-Torsion
4:4	115-2858	1	Spring-Compression	18	99-5239	1	Anchor-Cable
4:5	114-2675	1	Rod-Release	19	108-8158	1	Cable-Traction
5	86-9671	1	Guide-Rope	22	614249	3	Tie-Cable
6	3296-73	1	Nut-Lock, NI	23	132-4470	1	Decal-Traction, Adjust
7	114-7988	1	Guide-Cable	24	131-0897	1	Knob-Handle, Locking
8	105-6842	1	Guide-LH	25	131-4551	1	Handle-Cover

# Brake Control Assembly



## Brake Control Assembly (continued)

<i>Ref.</i>	<i>Part Number</i>	<i>Qty.</i>	<i>Description</i>	<i>Ref.</i>	<i>Part Number</i>	<i>Qty.</i>	<i>Description</i>
1	121-2347	1	Harness	7	107-7463	1	Spacer
2	321-50	1	Screw-HH	8	106-6802	1	Lever
3	108-3788-03	1	Bail-Brake	9	32128-17	1	Nut-Lock, Flange
4	3290-337	1	Nut-Speed	10	112-8884	1	Knob
5	106-9169	1	Screw-HWH	11	108-8155	1	Cable ASM
6	107-7462	1	Spring-Torsion	12	104-9368	1	Plug-Dome

# Attachments and Accessories

## For 20383 Super Recycler Lawn Mower

<b>Product Name</b>	<b>Model/Part</b>
Bagging Blade .....	108-3759-03
High-Altitude Kit.....	121-4242
Traction Assist Handle Kit.....	131-4590
Engine Maintenance Kit.....	20240
Lawnmower Cover.....	490-7462

**Notes:**

**Notes:**

**Notes:**



**Count on it.**