



Count on it.

Parts Catalog

22in Recycler®

Lawn Mower

Model No. 20374—Serial No. 316000001 and Up



Ordering Replacement Parts

To order replacement parts, please supply the part number, the quantity, and the description of each part desired.

Understanding Reference Numbers

Each identified part in an illustration has a reference number. The reference number for a part also appears in the parts list, along with other information about the part.

This catalog uses two special reference number formats, one to indicate parts in a service assembly and another to indicate the quantity of a given part in an illustration.

Service Assembly Reference Numbers

Parts in service assemblies have reference numbers in the form a:b. The a represents the reference number of the entire service assembly and the b represents a sequential number unique to each part within the service assembly.

For example, a wheel assembly might be identified by reference number 6, the tire by 6:1, the valve by 6:2, and the wheel by 6:3. When you order the assembly identified by reference number 6, you receive all parts identified by reference numbers 6:1, 6:2, and 6:3. However, you may also order any part individually. Reference numbers of this type appear in illustration and in parts lists.

Reference Numbers Indicating Quantity

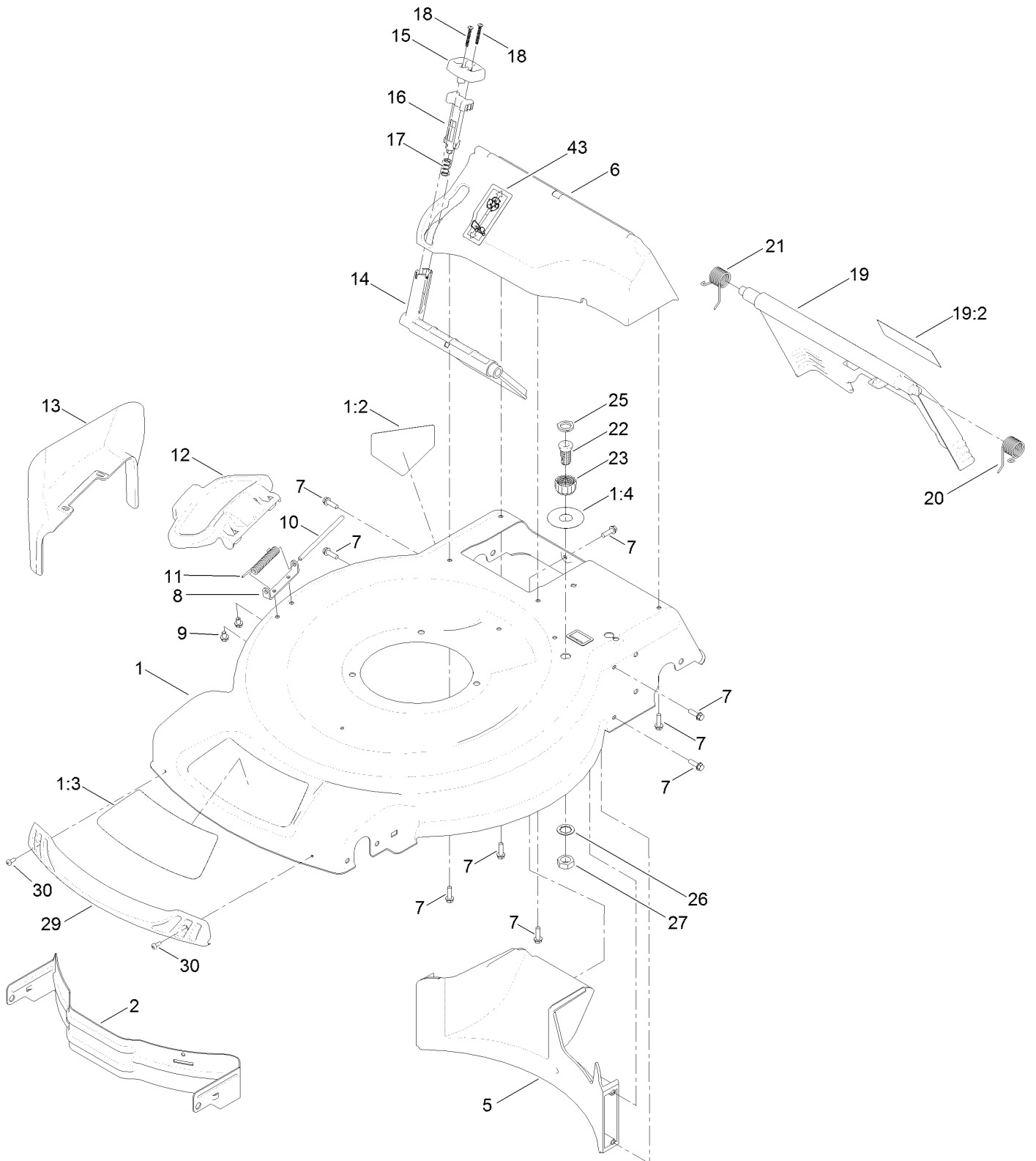
In an illustration, if a reference number indicates more than one part, the reference number has the form nX y. The n represents the quantity of the part, the X is the multiplication symbol, and the y represents the reference number.

For example, in an illustration, the reference number 2X 37 means that two of the parts identified by reference number 37 are indicated.

Contents

| | |
|--|----|
| Housing and Rear Deflector Assembly | 4 |
| Rear Bag Assembly | 6 |
| Engine and Blade Assembly | 8 |
| Shroud, Flywheel and Fuel Tank Assembly Engine Assembly No. 120-4413 | 10 |
| Dipstick, Brake and Governor Arm Assembly Engine Assembly No. 120-4413 | 12 |
| Carburetor, Muffler, Air Cleaner and Valve Cover Assembly Engine Assembly No. 120-4413 | 14 |
| Front Wheel and Height-of-Cut Assembly | 16 |
| Rear Wheel and Height-of-Cut Assembly | 18 |
| Handle Assembly | 20 |
| Electrical Assembly | 22 |
| Attachments and Accessories | 24 |

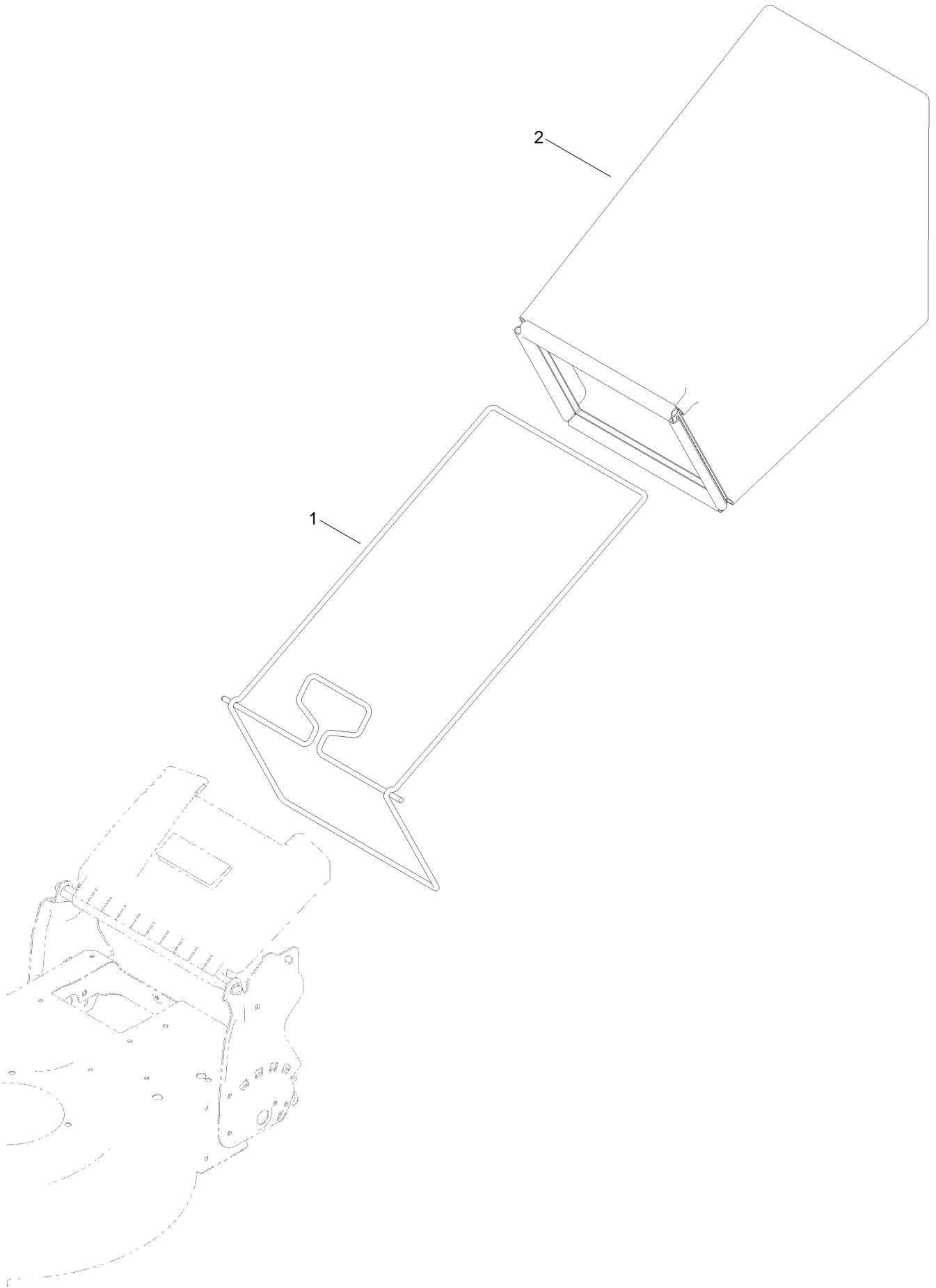
Housing and Rear Deflector Assembly



Housing and Rear Deflector Assembly (continued)

| <i>Ref.</i> | <i>Part Number</i> | <i>Qty.</i> | <i>Description</i> | <i>Ref.</i> | <i>Part Number</i> | <i>Qty.</i> | <i>Description</i> |
|-------------|--------------------|-------------|-----------------------|-------------|--------------------|-------------|-----------------------------|
| 1 | 130-2389 | 1 | Housing ASM | 16 | 114-7959 | 1 | Latch-Recycle |
| 1:2 | 94-8072 | 1 | Decal-Danger | 17 | 117-1031 | 1 | Spring-Compression |
| 1:3 | 115-4676 | 1 | Decal-Recycler | 18 | 32104-120 | 2 | Screw-PPH |
| 1:4 | 112-8867 | 1 | Decal-Port, Washout | 19 | 121-5776 | 1 | Rear Door ASM |
| 2 | 114-7963-01 | 1 | Baffle-Front | 19:2 | 131-4514 | 1 | Decal-Warning |
| 5 | 114-7961 | 1 | Baffle-Rear | 20 | 115-2859 | 1 | Spring-Torsion |
| 6 | 132-4500 | 1 | Chute-Recycle | 21 | 114-7924 | 1 | Spring-Torsion |
| 7 | 46-8091 | 9 | Screw-HWH | 22 | 112-6400 | 1 | Port-Washout |
| 8 | 112-6416 | 1 | Bracket-Cover | 23 | 112-6401 | 1 | Coupling-Hose, Washout Port |
| 9 | 99-8445 | 2 | Screw-HWH | | | | |
| 10 | 99-5291 | 1 | Rod-Cover | 25 | 112-6438 | 1 | Washer-Seal, Washout Port |
| 11 | 99-5293 | 1 | Spring-Torsion | 26 | 3254-5 | 1 | Washer-Tooth, Internal |
| 12 | 115-8449 | 1 | Deflector-Side | 27 | 3218-6 | 1 | Nut-Jam |
| 13 | 115-8447 | 1 | Chute-Discharge, Side | 29 | 114-7987 | 1 | Bumper |
| 14 | 114-7960 | 1 | Deflector-Recycle | 30 | 105-6849 | 2 | Screw-Forming, Thread |
| 15 | 114-7958 | 1 | Knob-Recycle | 43 | 125-5026 | 1 | Decal |

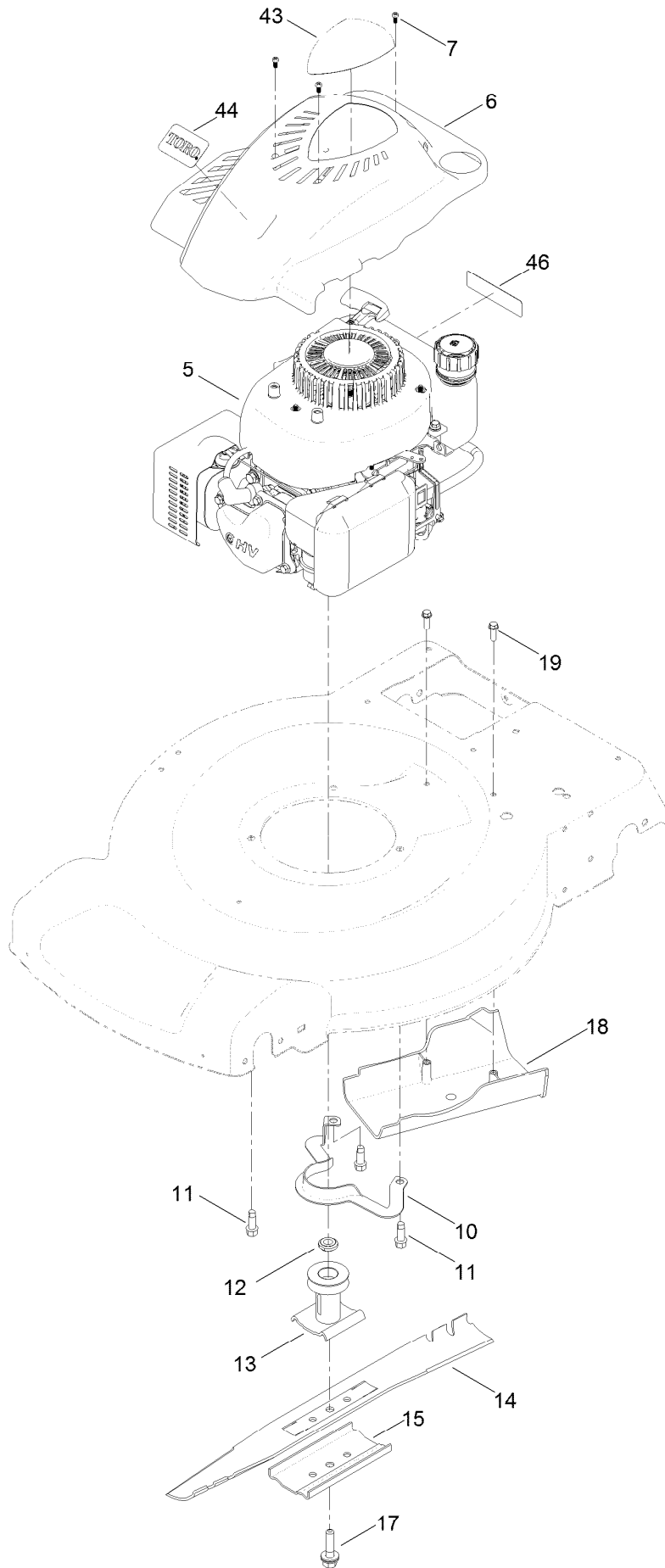
Rear Bag Assembly



Rear Bag Assembly (continued)

| <i>Ref.</i> | <i>Part Number</i> | <i>Qty.</i> | <i>Description</i> |
|-------------|--------------------|-------------|--------------------|
| 1 | 132-4503-03 | 1 | Frame-Bag |
| 2 | 115-4673 | 1 | Grass Bag ASM |

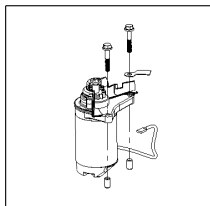
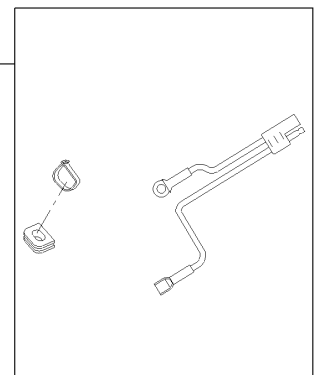
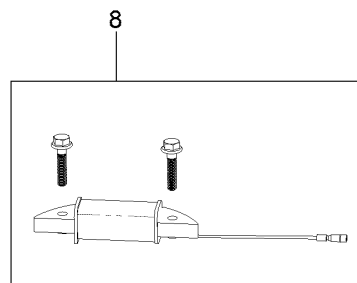
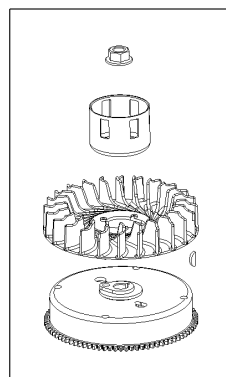
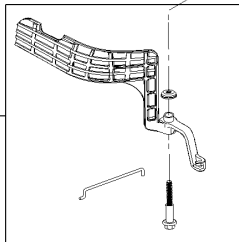
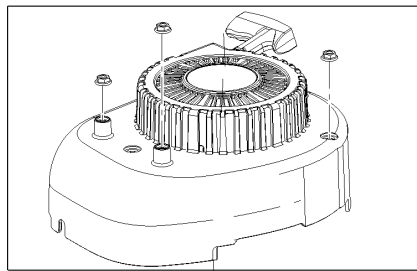
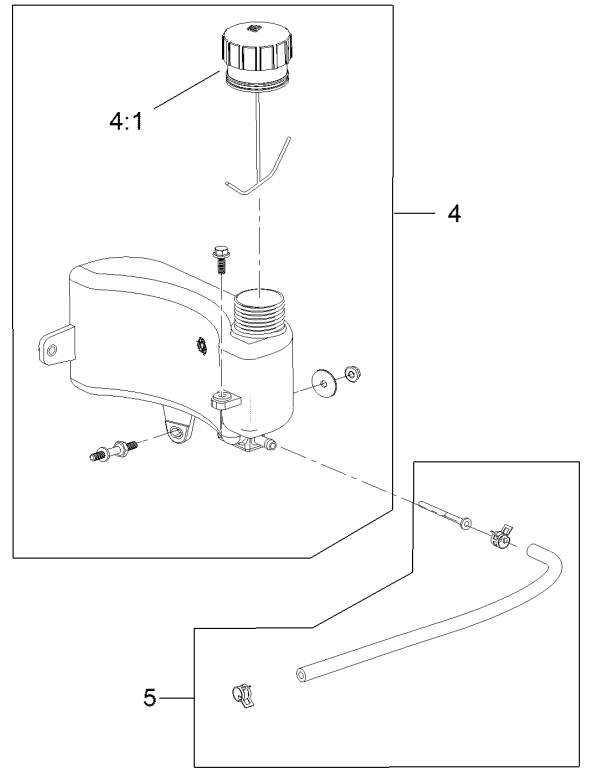
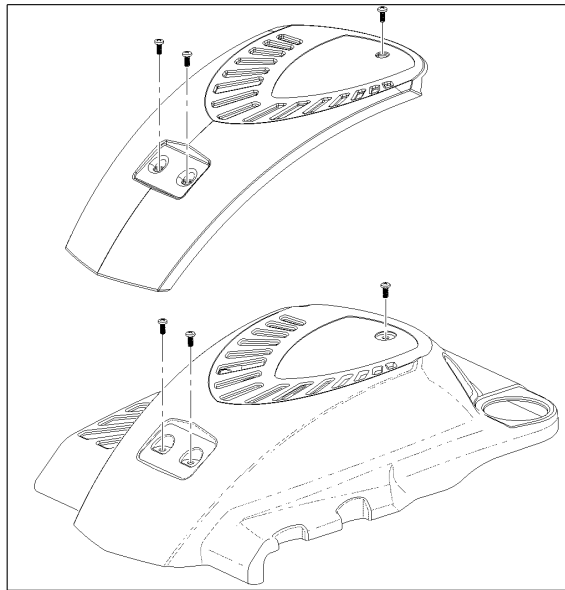
Engine and Blade Assembly



Engine and Blade Assembly (continued)

| <i>Ref.</i> | <i>Part Number</i> | <i>Qty.</i> | <i>Description</i> | <i>Ref.</i> | <i>Part Number</i> | <i>Qty.</i> | <i>Description</i> |
|-------------|--------------------|-------------|--------------------|-------------|--------------------|-------------|-----------------------|
| 5 | 120-4413 | 1 | Engine-1P65Fc | 15 | 108-3766-03 | 1 | Support-Blade |
| 6 | 121-0443 | 1 | Shroud | 17 | 125-2466 | 1 | Bolt-Blade |
| 7 | 121-4155 | 3 | Screw-PPH | 18 | 114-7937 | 1 | Cover-Belt |
| 10 | 105-3030-03 | 1 | Guide-Belt | 19 | 46-8091 | 2 | Screw-HWH |
| 11 | 95-1726 | 3 | Screw-Taptite | 43 | 130-2360 | 1 | Decal-Shroud |
| 12 | 106-3999 | 1 | Spacer-Driver | 44 | 125-2505 | 1 | Decal |
| 13 | 106-3987 | 1 | Driver-Blade | 46 | 117-2718 | 1 | Decal-Arrester, Spark |
| 14 | 131-4547-03 | 1 | Blade-22 Inch | | | | |

Shroud, Flywheel and Fuel Tank Assembly Engine Assembly No. 120-4413

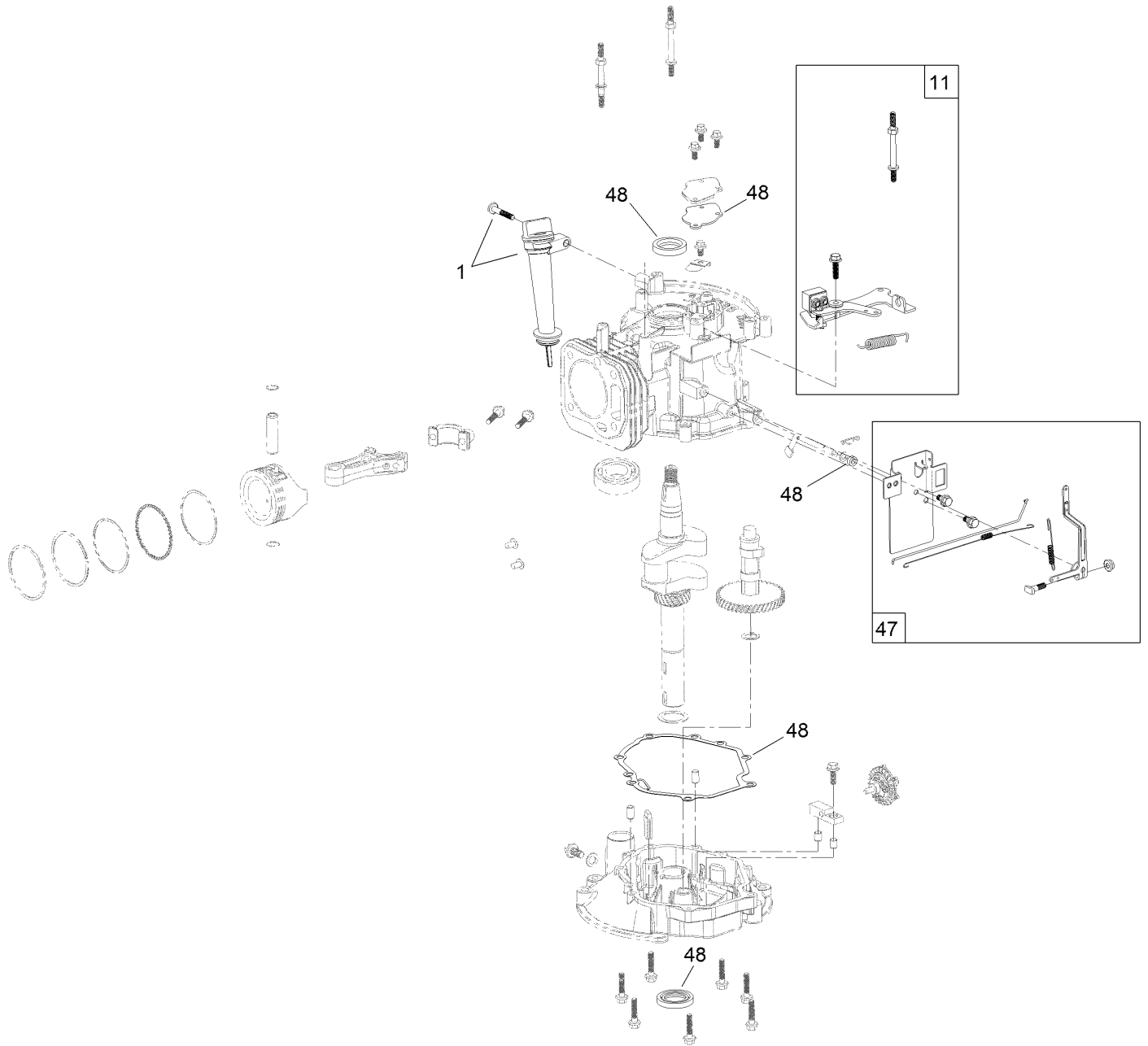


Shroud, Flywheel and Fuel Tank Assembly Engine Assembly No. 120-4413 (continued)

| <i>Ref.</i> | <i>Part Number</i> | <i>Qty.</i> | <i>Description</i> |
|-------------|--------------------|-------------|---------------------------------|
| 1 | 119-1990 | 1 | Shroud ASM |
| 2 | 121-4160 | 1 | Recoil And Blower Shroud Kit |
| 3 | 121-0391 | 1 | Flywheel And Fan Kit |
| 4 | 121-4162 | 1 | Fuel Tank Kit |
| 4:1 | 121-4163 | 1 | Cap-Fuel |

| <i>Ref.</i> | <i>Part Number</i> | <i>Qty.</i> | <i>Description</i> |
|-------------|--------------------|-------------|--------------------|
| 5 | 121-4167 | 1 | Fuel Line Kit |
| 6 | 121-4168 | 1 | Air Vane Kit |
| 7 | 121-0393 | 1 | Starter Kit |
| 8 | 121-0392 | 1 | Alternator Kit |
| 9 | 121-0395 | 1 | Wire Harness Kit |

Dipstick, Brake and Governor Arm Assembly Engine Assembly No. 120-4413



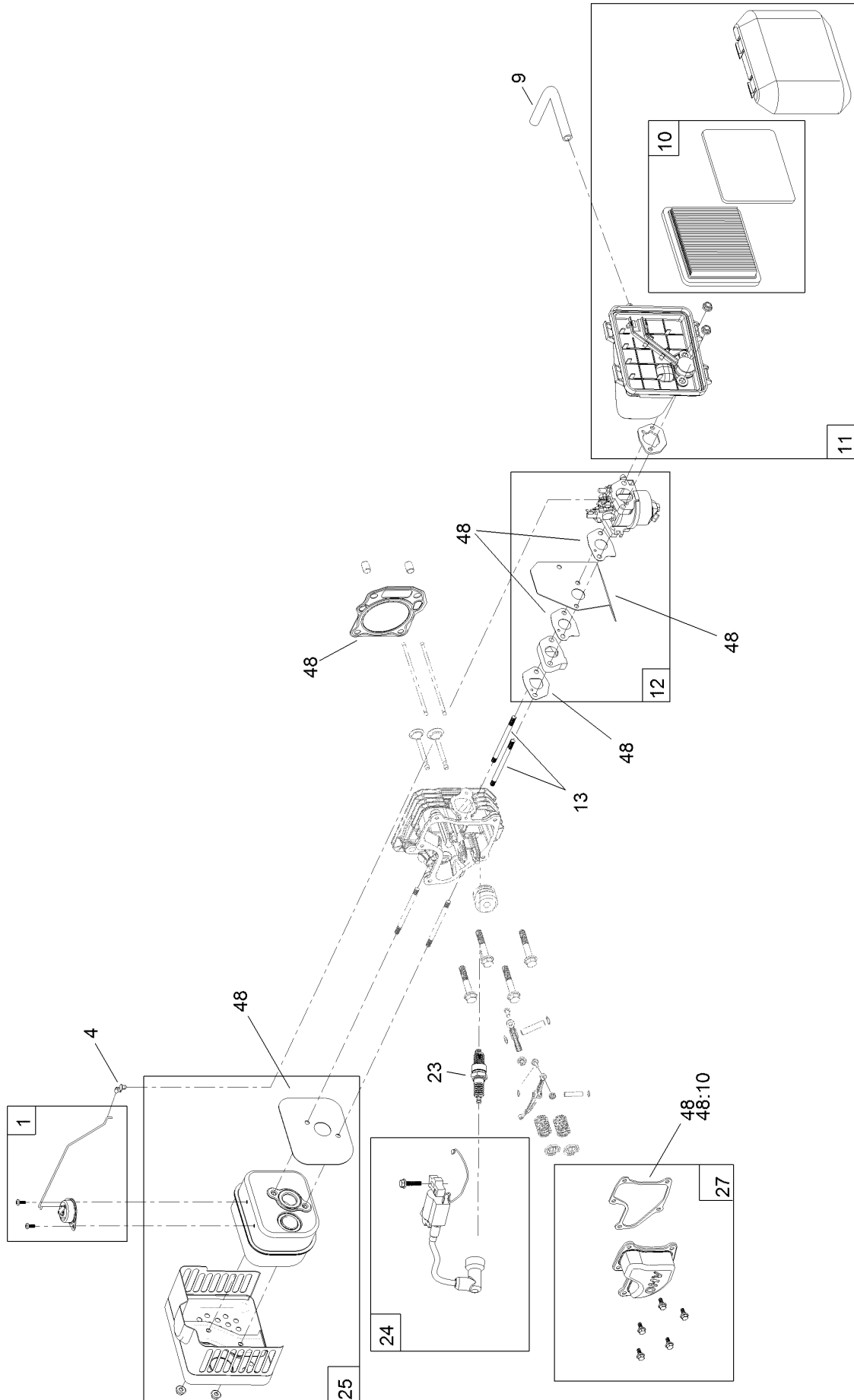
Dipstick, Brake and Governor Arm Assembly Engine Assembly No. 120-4413 (continued)

| <i>Ref.</i> | <i>Part Number</i> | <i>Qty.</i> | <i>Description</i> |
|-------------|--------------------|-------------|----------------------------|
| 1 | 121-4279 | 1 | Dipstick And Fill Tube Kit |
| 11 | 121-4205 | 1 | Brake Kit |
| 47 | 119-1968 | 1 | Governor Arm Kit |

| <i>Ref.</i> | <i>Part Number</i> | <i>Qty.</i> | <i>Description</i> |
|-------------|--------------------|-------------|----------------------|
| 48 | 127-9144 | 1 | Seal And Gasket Kit |
| 48:10 | 121-4190 | 1 | Gasket-Valve Cover ● |

● Not illustrated

Carburetor, Muffler, Air Cleaner and Valve Cover Assembly Engine Assembly No. 120-4413

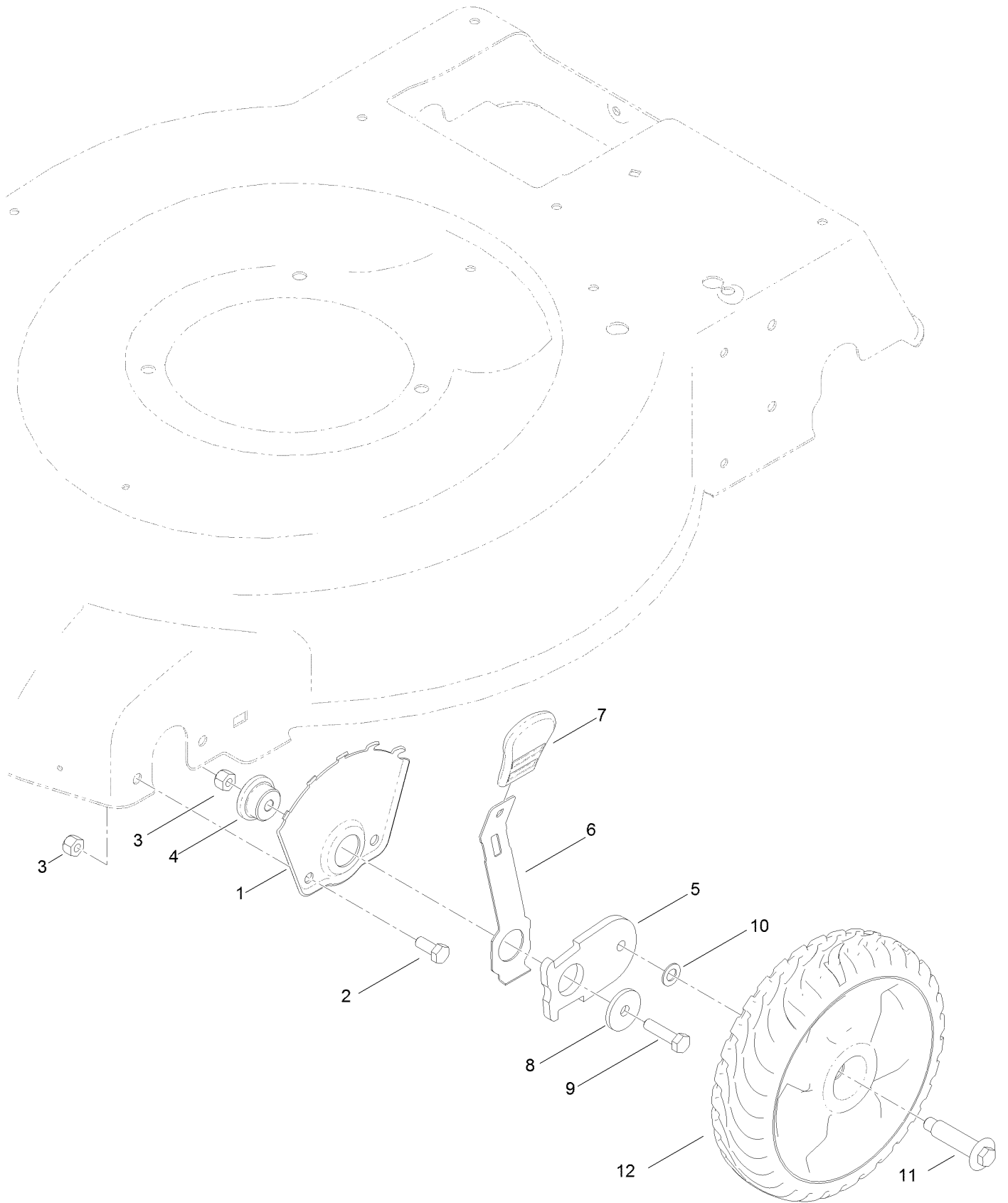


Carburetor, Muffler, Air Cleaner and Valve Cover Assembly Engine Assembly No. 120-4413 (continued)

| <i>Ref.</i> | <i>Part Number</i> | <i>Qty.</i> | <i>Description</i> | <i>Ref.</i> | <i>Part Number</i> | <i>Qty.</i> | <i>Description</i> |
|-------------|--------------------|-------------|------------------------------|-------------|--------------------|-------------|------------------------|
| 1 | 121-4175 | 1 | Thermal Control Kit | 13 | 121-0367 | 2 | Stud-Intake |
| 4 | 120-4451 | 1 | Lock-Throttle | 23 | 121-4199 | 1 | Spark Plug |
| 9 | 119-1902 | 1 | Tube-Breather | 24 | 121-4186 | 1 | Ignition Kit |
| 10 | 119-1909 | 1 | Air Filter And Prefilter Kit | 25 | 121-4277 | 1 | Muffler And Shield Kit |
| 11 | 121-4177 | 1 | Air Cleaner ASM Kit | 27 | 121-4188 | 1 | Valve Cover Kit |
| 12 | 127-9145 | 1 | Carb Replacement Kit | 48 | 127-9144 | 1 | Seal And Gasket Kit |
| 12 | 127-9146 | 1 | Carb Repair Kit With Gaskets | 48:10 | 121-4190 | 1 | Gasket-Valve Cover |
| | | | | 99 | 121-4242 | 1 | High Altitude Kit ● |

● Not illustrated

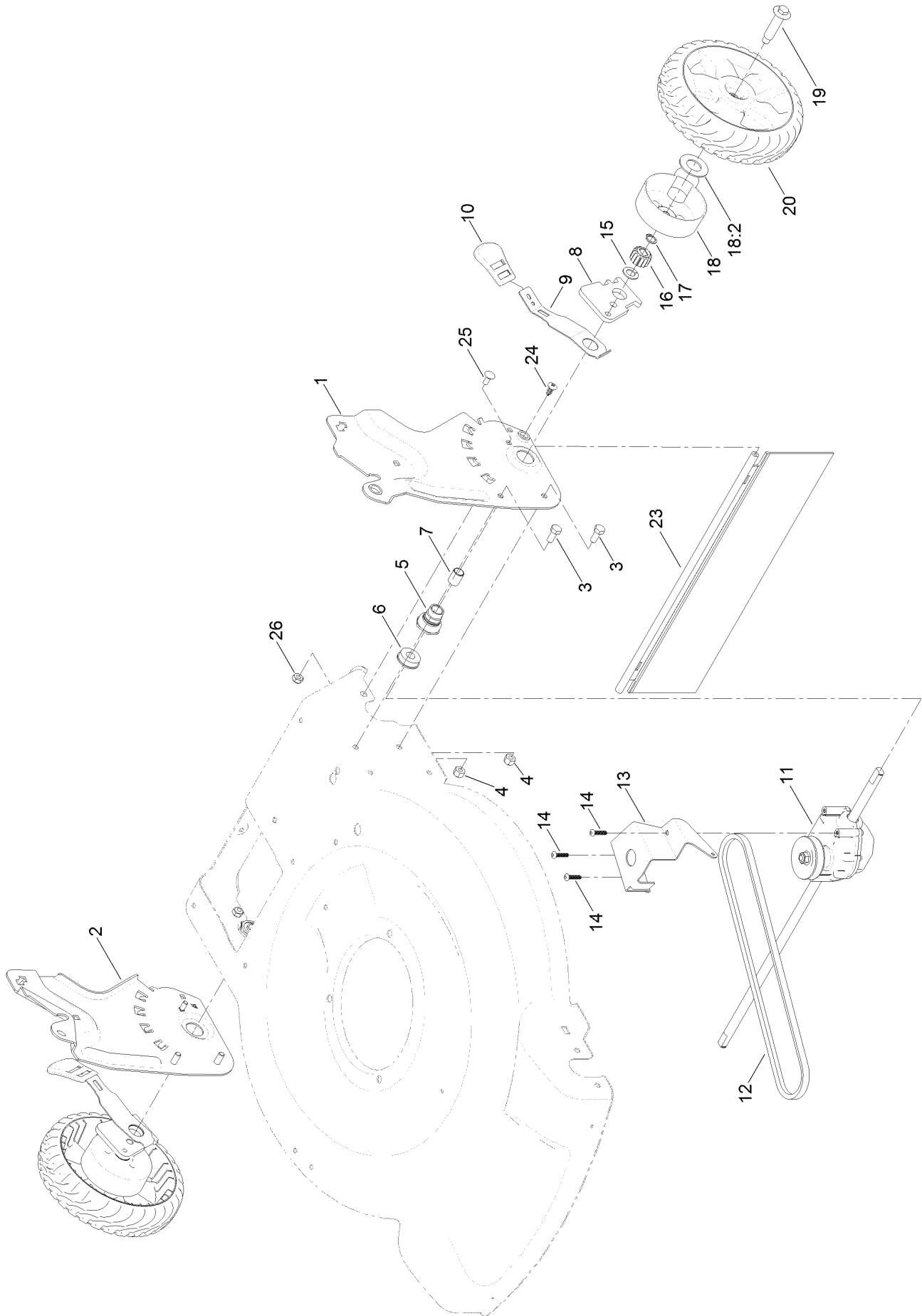
Front Wheel and Height-of-Cut Assembly



Front Wheel and Height-of-Cut Assembly (continued)

| <i>Ref.</i> | <i>Part Number</i> | <i>Qty.</i> | <i>Description</i> | <i>Ref.</i> | <i>Part Number</i> | <i>Qty.</i> | <i>Description</i> |
|-------------|--------------------|-------------|--------------------|-------------|--------------------|-------------|--------------------|
| 1 | 115-1956-03 | 2 | Plate-HOC, Front | 7 | 110-0549 | 2 | Knob-HOC |
| 2 | 322-3 | 4 | Screw-HH | 8 | 105-3048 | 2 | Washer-Flat |
| 3 | 3296-29 | 6 | Nut-Lock, NI | 9 | 322-6 | 2 | Screw-HH |
| 4 | 105-1818 | 2 | Bushing-Mount, HOC | 10 | 40-1940 | 2 | Washer |
| 5 | 105-1807 | 2 | Arm-Pivot, Front | 11 | 614650 | 2 | Bolt-Shoulder |
| 6 | 105-1809 | 2 | Arm-Spring | 12 | 115-2894 | 2 | 8 Inch Wheel ASM |

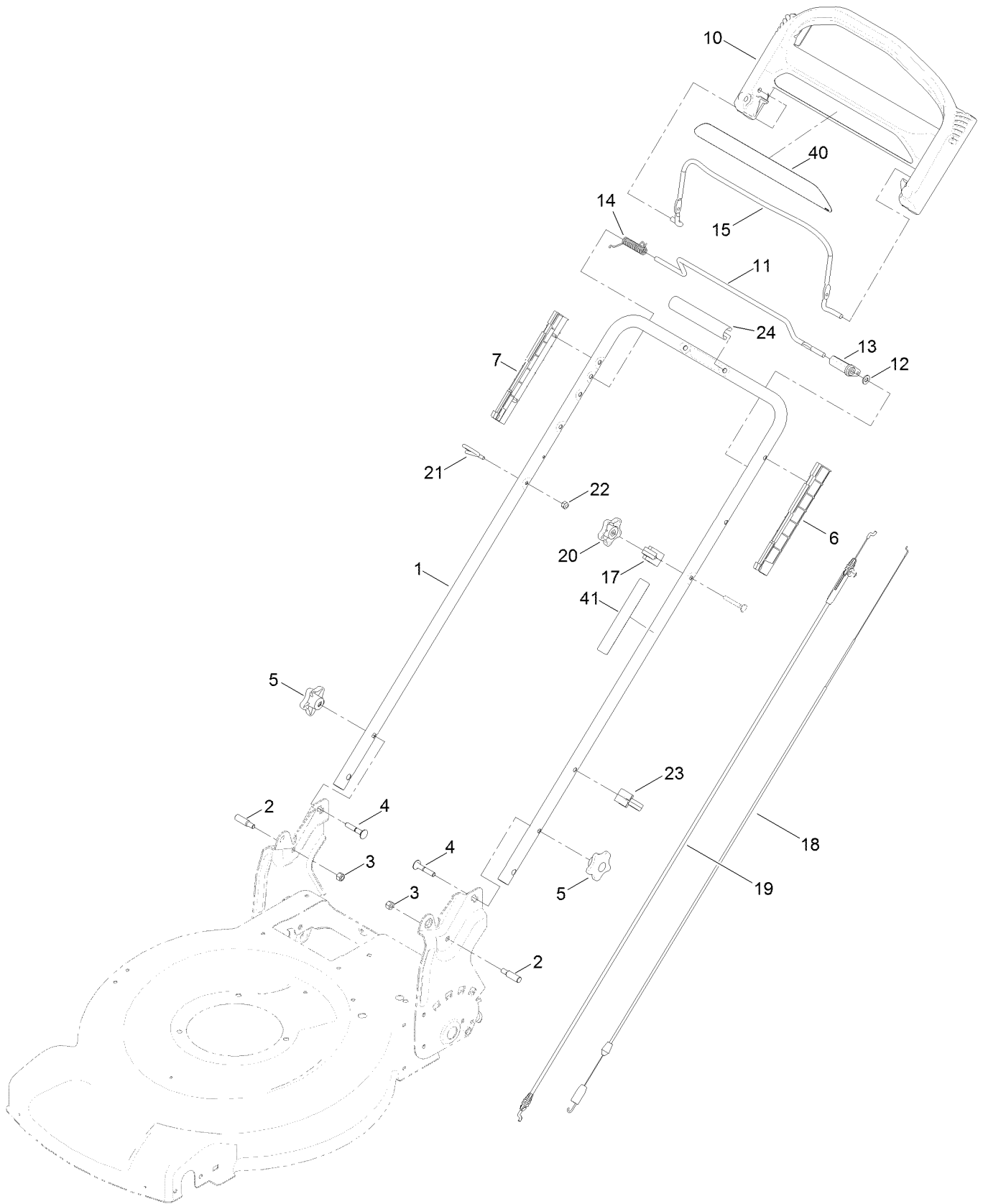
Rear Wheel and Height-of-Cut Assembly



Rear Wheel and Height-of-Cut Assembly (continued)

| <i>Ref.</i> | <i>Part Number</i> | <i>Qty.</i> | <i>Description</i> | <i>Ref.</i> | <i>Part Number</i> | <i>Qty.</i> | <i>Description</i> |
|-------------|--------------------|-------------|-----------------------|-------------|--------------------|-------------|-----------------------|
| 1 | 131-9693-03 | 1 | Plate-HOC, LH | 14 | 108-7476 | 3 | Screw-Plastite |
| 2 | 131-9694-03 | 1 | Plate-HOC, RH | 15 | 110-7191 | 2 | Washer-Thrust |
| 3 | 322-3 | 4 | Screw-HH | 16 | 110-9417 | 2 | Gear-Pinion, 15T |
| 4 | 3296-29 | 4 | Nut-Lock, NI | 17 | 32151-61 | 2 | Ring-Retaining |
| 5 | 108-9779 | 2 | Retainer-Bushing, HOC | 18 | 132-4480 | 2 | Cover-Gear |
| 6 | 104-8699 | 2 | Bearing-Ball | 18:2 | 614426 | 1 | Washer-Stepped |
| 7 | 108-9782 | 2 | Bushing-Sleeve | 19 | 614650 | 2 | Bolt-Shoulder |
| 8 | 132-4459 | 2 | Arm-Pivot, Rear | 20 | 119-3822 | 2 | 8 Inch Wheel Gear ASM |
| 9 | 108-9780 | 2 | Arm-Spring | 23 | 120-7012 | 1 | Shield-Trailing |
| 10 | 110-0549 | 2 | Knob-HOC | 24 | 117-1092 | 2 | Screw-PTH |
| 11 | 121-9178 | 1 | Transmission ASM | 25 | 3229-11 | 2 | Screw-CARR |
| 12 | 115-4669 | 1 | Belt-V | 26 | 3296-16 | 2 | Nut-Lock, NI |
| 13 | 114-7977-03 | 1 | Bracket-Transmission | | | | |

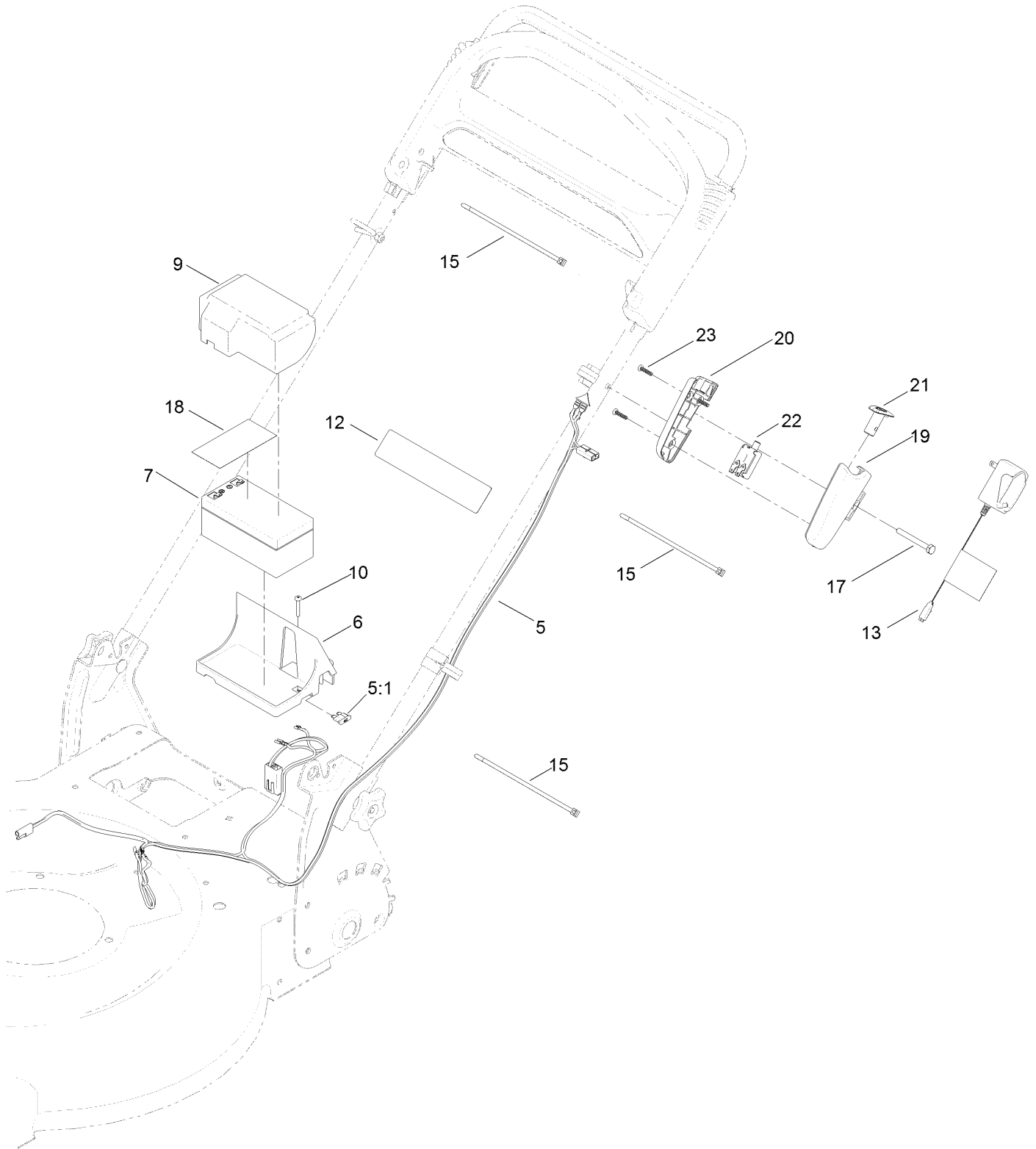
Handle Assembly



Handle Assembly (continued)

| <i>Ref.</i> | <i>Part Number</i> | <i>Qty.</i> | <i>Description</i> | <i>Ref.</i> | <i>Part Number</i> | <i>Qty.</i> | <i>Description</i> |
|-------------|--------------------|-------------|-----------------------|-------------|--------------------|-------------|------------------------|
| 1 | 131-9695-05 | 1 | Handle | 15 | 131-0880-03 | 1 | Bail-Brake |
| 2 | 131-4591 | 2 | Bolt-Shoulder | 17 | 99-5239 | 1 | Anchor-Cable |
| 3 | 3296-29 | 2 | Nut-Lock, NI | 18 | 115-8435 | 1 | Cable-Traction |
| 4 | 131-9663 | 2 | Screw-CARR | 19 | 115-8437 | 1 | Cable-Brake |
| 5 | 117-5976 | 2 | Knob-Handle | 20 | 131-0897 | 1 | Knob-Handle, Locking |
| 6 | 105-6842 | 1 | Guide-LH | 21 | 86-9671 | 1 | Guide-Rope |
| 7 | 105-6841 | 1 | Guide-RH | 22 | 3296-73 | 1 | Nut-Lock, NI |
| 10 | 104-8678 | 1 | Handle-Control | 23 | 114-7988 | 1 | Guide-Cable |
| 11 | 99-1588 | 1 | Bar-Control, Traction | 24 | 131-4551 | 1 | Handle-Cover |
| 12 | 3256-23 | 1 | Washer-Plain | 40 | 117-1019 | 1 | Decal |
| 13 | 99-1589 | 1 | Lever-Traction | 41 | 132-4470 | 1 | Decal-Traction, Adjust |
| 14 | 121-9118 | 1 | Spring-Torsion | | | | |

Electrical Assembly



Electrical Assembly (continued)

| <i>Ref.</i> | <i>Part Number</i> | <i>Qty.</i> | <i>Description</i> | <i>Ref.</i> | <i>Part Number</i> | <i>Qty.</i> | <i>Description</i> |
|-------------|--------------------|-------------|---------------------|-------------|--------------------|-------------|-------------------------|
| 5 | 125-5024 | 1 | Harness-Wire | 15 | 614249 | 3 | Tie-Cable |
| 5:1 | 99-6124 | 1 | Fuse-40 Amp | 17 | 321-50 | 1 | Screw-HH |
| 6 | 114-7936 | 1 | Tray-Battery | 18 | 112-8763 | 1 | Decal-Terminal, Battery |
| 7 | 106-8397 | 1 | Battery-Wet | 19 | 125-2468 | 1 | Housing-Switch, LH |
| 9 | 120-3329 | 1 | Cover-Battery | 20 | 125-2469 | 1 | Housing-Switch, RH |
| 10 | 32144-97 | 1 | Screw-PPH, Plastite | 21 | 125-2470 | 1 | Button-Switch |
| 12 | 104-7953 | 1 | Decal-Warning | 22 | 121-9173 | 1 | Switch-Push Button |
| 13 | 114-1588 | 1 | Charger-Battery | 23 | 94-4496 | 3 | Screw-PPH |

Attachments and Accessories

For 20374 22in Recycler Lawn Mower

| Product Name | Model/Part |
|---|-------------------|
| High-Altitude Kit..... | 121-4242 |
| Fuel Stabilizer .05 oz..... | 130-2393 |
| Traction Assist Handle Kit..... | 131-4590 |
| Engine Maintenance Kit..... | 20240 |
| Lawn Striping Kit with 22in Roller..... | 20601 |
| Replacement Drive Belt Kit, 22-inch 2009 and After Rear-Wheel Drive Lawn Mower..... | 38991 |
| Lawnmower Cover..... | 490-7462 |
| 8in Gear Wheel ASM..... | 59502 |
| 8in Gear Wheel ASM RWD..... | 59503 |
| 22 Inch Atomic Blade..... | 59534P |

Notes:

Notes:

Notes:



Count on it.