



Count on it.

Parts Catalog

22in Recycler®

Lawn Mower

Model No. 20374—Serial No. 315000001 and Up



Ordering Replacement Parts

To order replacement parts, please supply the part number, the quantity, and the description of each part desired.

Understanding Reference Numbers

Each identified part in an illustration has a reference number. The reference number for a part also appears in the parts list, along with other information about the part.

This catalog uses two special reference number formats, one to indicate parts in a service assembly and another to indicate the quantity of a given part in an illustration.

Service Assembly Reference Numbers

Parts in service assemblies have reference numbers in the form a:b. The a represents the reference number of the entire service assembly and the b represents a sequential number unique to each part within the service assembly.

For example, a wheel assembly might be identified by reference number 6, the tire by 6:1, the valve by 6:2, and the wheel by 6:3. When you order the assembly identified by reference number 6, you receive all parts identified by reference numbers 6:1, 6:2, and 6:3. However, you may also order any part individually. Reference numbers of this type appear in illustration and in parts lists.

Reference Numbers Indicating Quantity

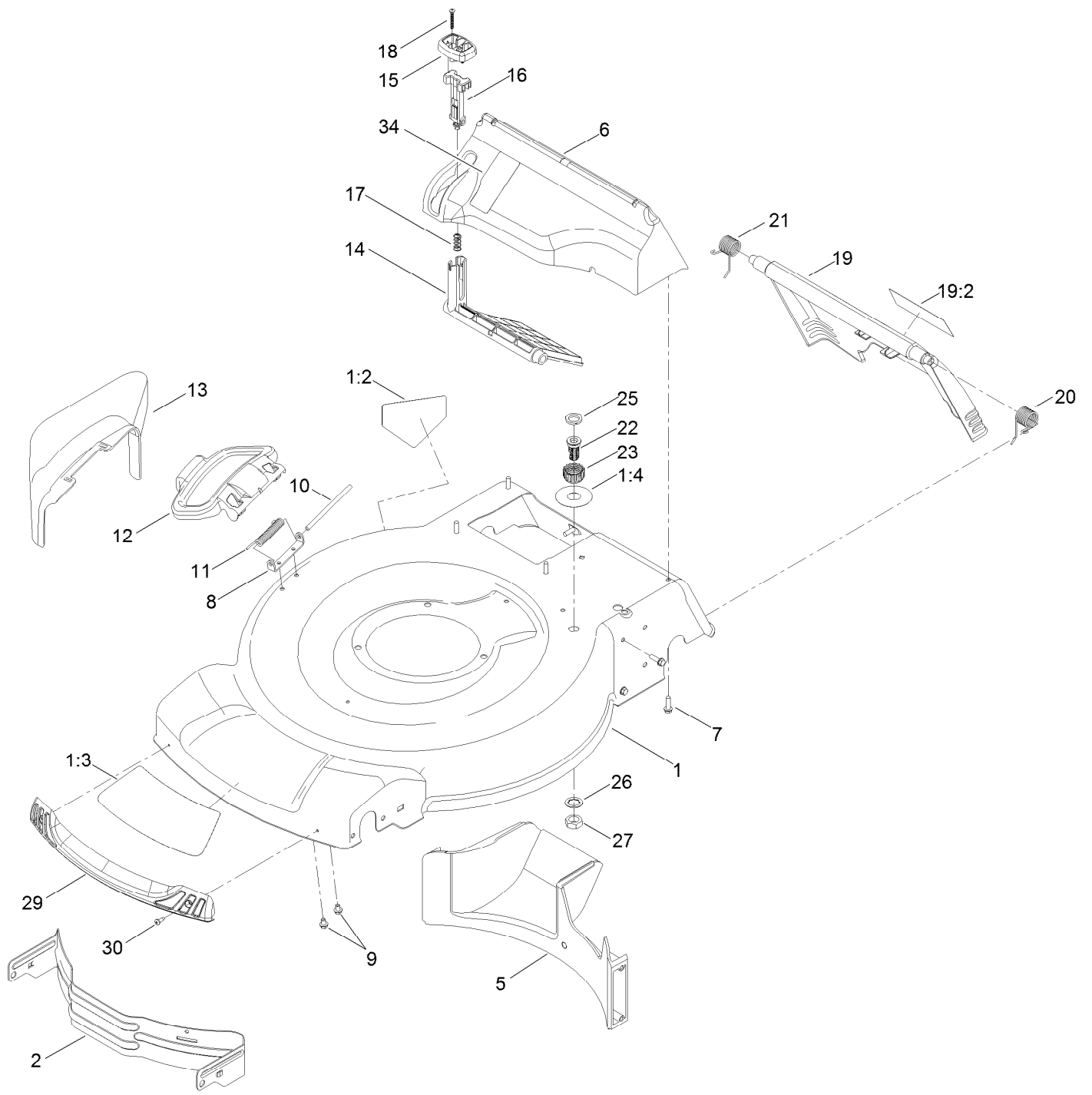
In an illustration, if a reference number indicates more than one part, the reference number has the form nX y. The n represents the quantity of the part, the X is the multiplication symbol, and the y represents the reference number.

For example, in an illustration, the reference number 2X 37 means that two of the parts identified by reference number 37 are indicated.

Contents

Deck, Side Chute and Rear Door Assembly	4
Rear Bag Assembly	6
Engine and Blade Assembly	8
Shroud, Flywheel and Fuel Tank Assembly Engine Assembly No. 120-4413	10
Dipstick, Brake and Governor Arm Assembly Engine Assembly No. 120-4413	12
Carburetor, Muffler, Air Cleaner and Valve Cover Assembly Engine Assembly No. 120-4413	14
Front Wheel and Height-of-Cut Assembly	16
Transmission and Rear Wheel Drive Assembly	18
Handle Assembly	20
Electrical Assembly	22
Attachments and Accessories	24

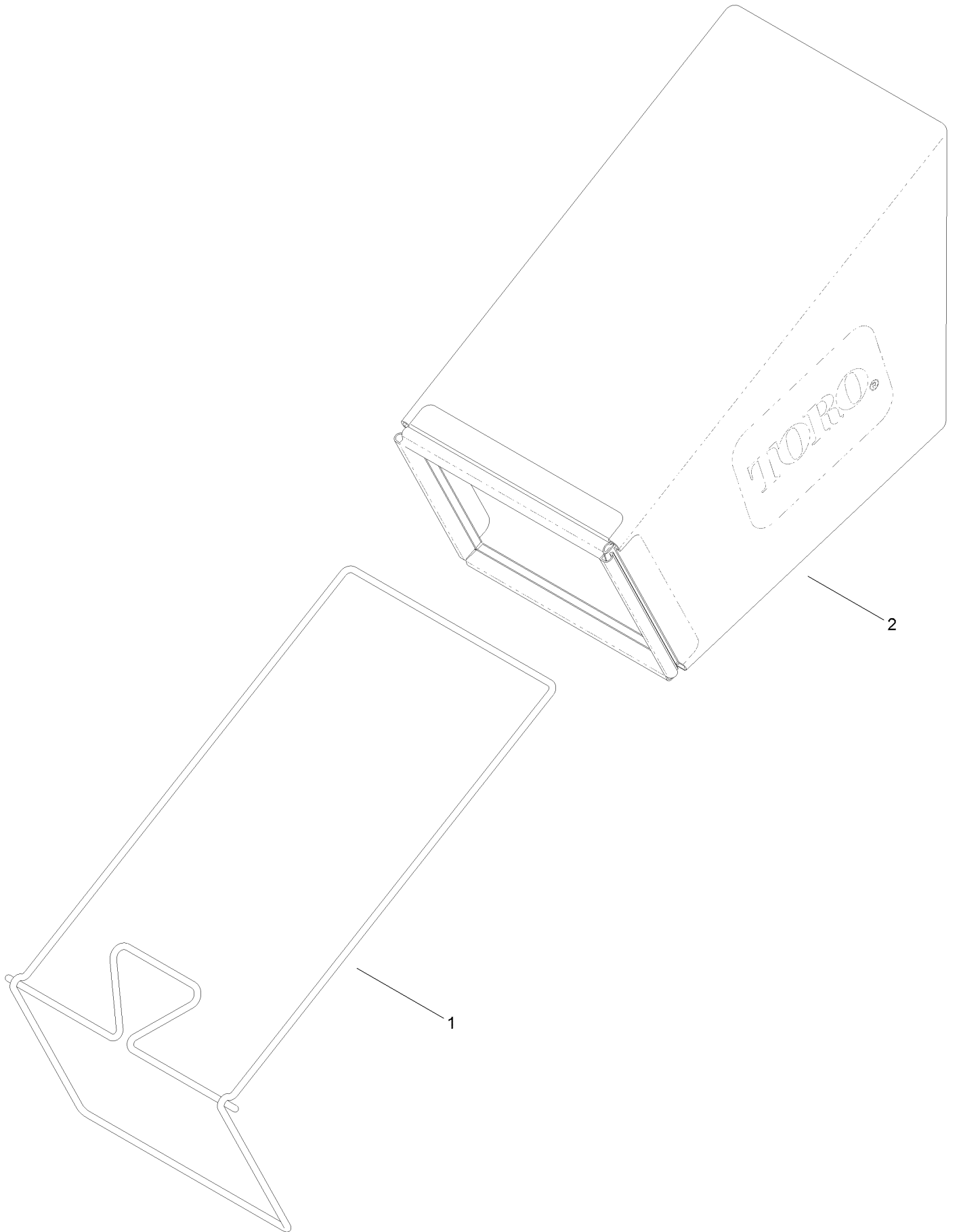
Deck, Side Chute and Rear Door Assembly



Deck, Side Chute and Rear Door Assembly (continued)

<i>Ref.</i>	<i>Part Number</i>	<i>Qty.</i>	<i>Description</i>	<i>Ref.</i>	<i>Part Number</i>	<i>Qty.</i>	<i>Description</i>
1	130-2389	1	Housing ASM	16	114-7959	1	Latch-Recycle
1:2	94-8072	1	Decal-Danger	17	117-1031	1	Spring-Compression
1:3	115-4676	1	Decal-Recycler	18	32104-120	2	Screw-PPH
1:4	112-8867	1	Decal-Port, Washout	19	121-5776	1	Rear Door ASM
2	114-7963-01	1	Baffle-Front	19:2	131-4514	1	Decal-Warning
5	114-7961	1	Baffle-Rear	20	115-2859	1	Spring-Torsion
6	114-7957	1	Chute-Recycle	21	114-7924	1	Spring-Torsion
7	46-8091	9	Screw-HWH	22	112-6400	1	Port-Washout
8	112-6416	1	Bracket-Cover	23	112-6401	1	Coupling-Hose, Washout Port
9	99-8445	2	Screw-HWH	25	112-6438	1	Washer-Seal, Washout Port
10	99-5291	1	Rod-Cover	26	3254-5	1	Washer-Tooth, Internal
11	99-5293	1	Spring-Torsion	27	3218-6	1	Nut-Jam
12	115-8449	1	Deflector-Side	29	114-7987	1	Bumper
13	115-8447	1	Chute-Discharge, Side	30	105-6849	2	Screw-Forming, Thread
14	114-7960	1	Deflector-Recycle	34	125-5026	1	Decal
15	114-7958	1	Knob-Recycle				

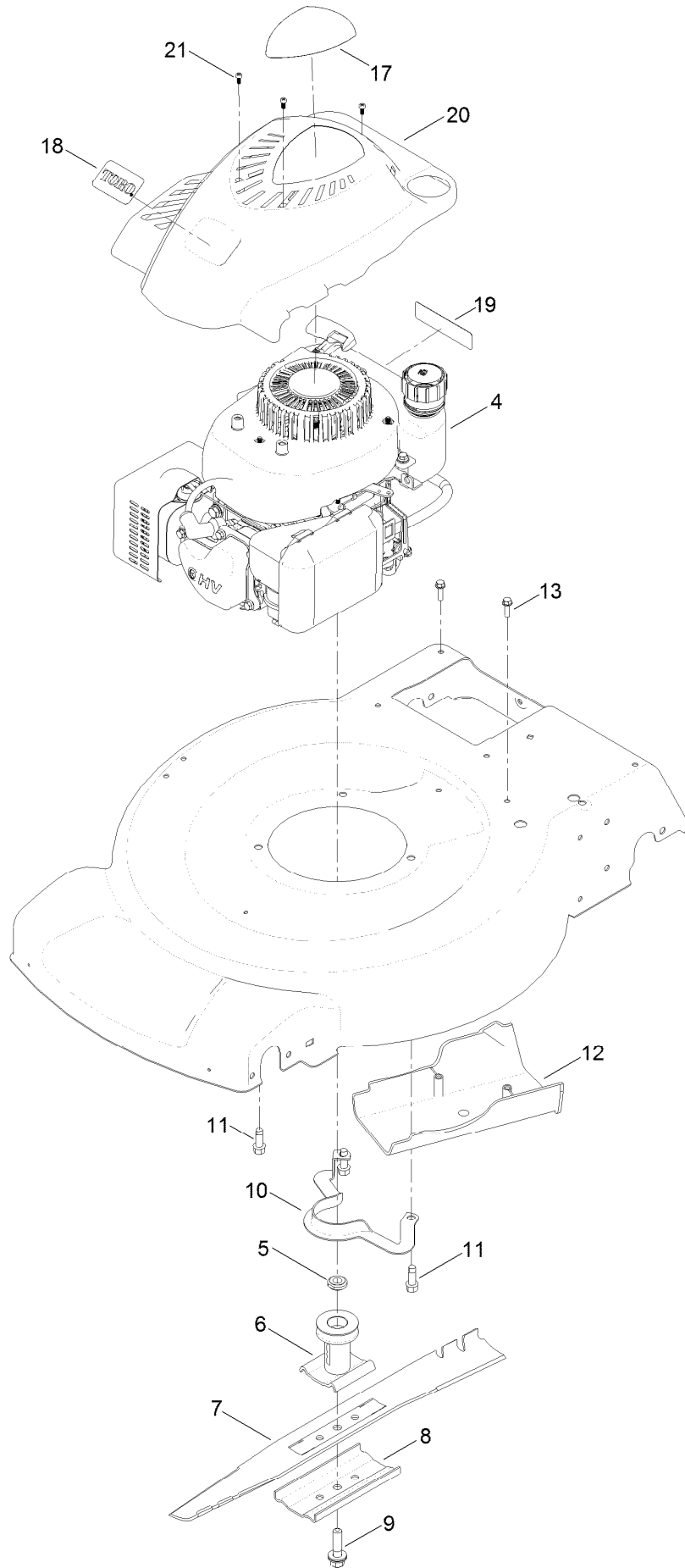
Rear Bag Assembly



Rear Bag Assembly (continued)

<i>Ref.</i>	<i>Part Number</i>	<i>Qty.</i>	<i>Description</i>
1	114-2679-03	1	Frame-Bag
2	115-4673	1	Grass Bag ASM

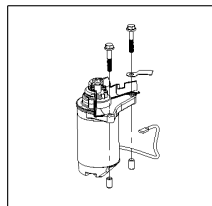
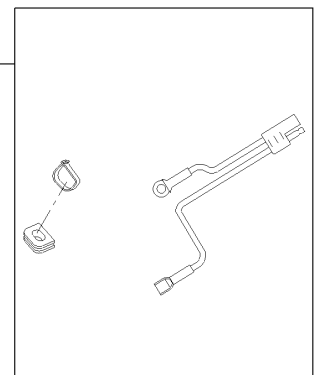
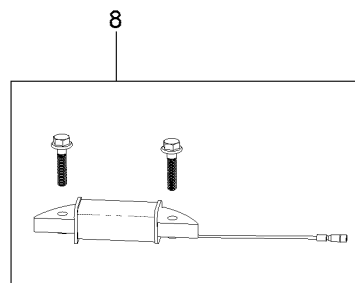
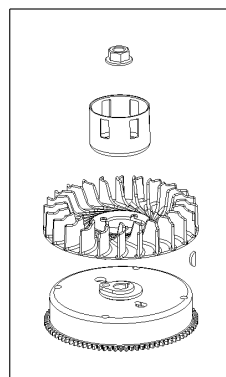
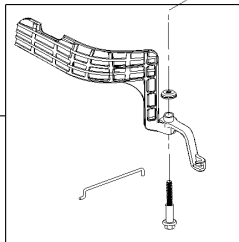
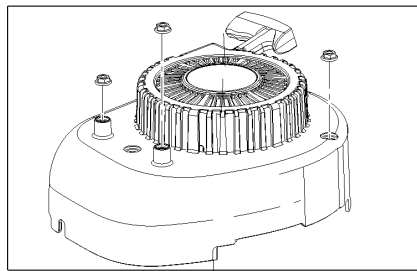
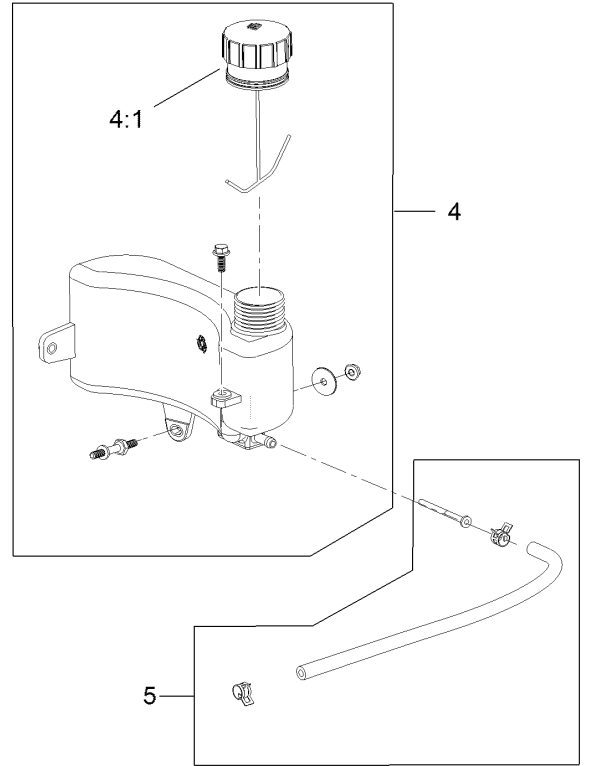
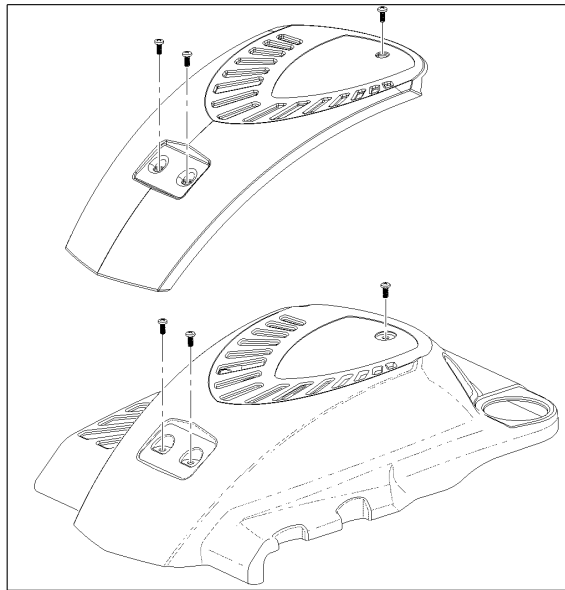
Engine and Blade Assembly



Engine and Blade Assembly (continued)

<i>Ref.</i>	<i>Part Number</i>	<i>Qty.</i>	<i>Description</i>	<i>Ref.</i>	<i>Part Number</i>	<i>Qty.</i>	<i>Description</i>
4	120-4413	1	Engine-1P65Fc	12	114-7937	1	Cover-Belt
5	106-3999	1	Spacer-Driver	13	46-8091	2	Screw-HWH
6	106-3987	1	Driver-Blade	17	130-2360	1	Decal-Shroud
7	108-9764-03	1	Blade-22 Inch	18	125-2505	1	Decal
8	108-3766-03	1	Support-Blade	19	117-2718	1	Decal-Arrester, Spark
9	125-2466	1	Bolt-Blade	20	121-0443	1	Shroud
10	105-3030-03	1	Guide-Belt	21	121-4155	3	Screw-PPH
11	95-1726	3	Screw-Taptite				

Shroud, Flywheel and Fuel Tank Assembly Engine Assembly No. 120-4413

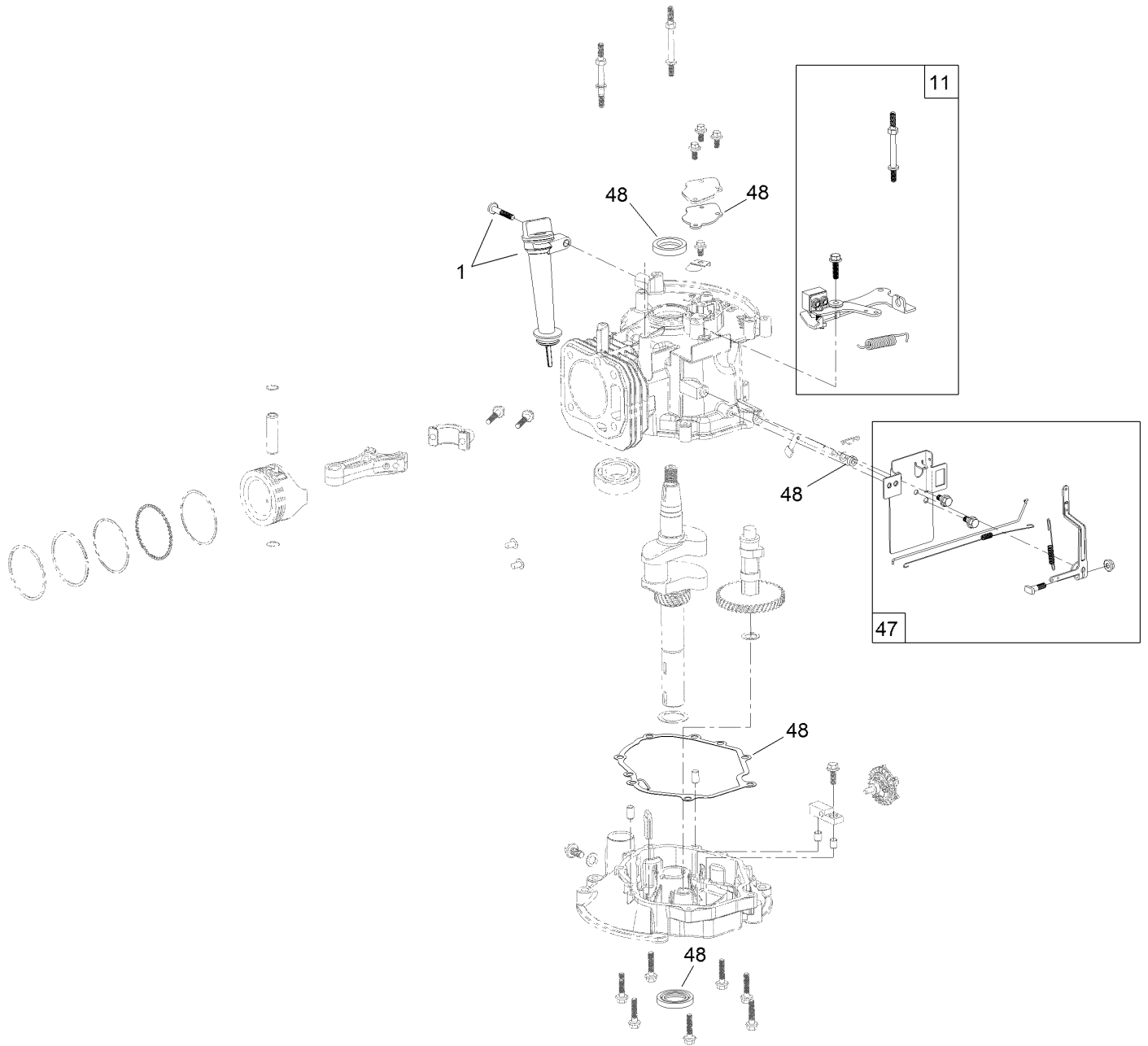


Shroud, Flywheel and Fuel Tank Assembly Engine Assembly No. 120-4413 (continued)

<i>Ref.</i>	<i>Part Number</i>	<i>Qty.</i>	<i>Description</i>
1	119-1990	1	Shroud ASM
2	121-4160	1	Recoil And Blower Shroud Kit
3	121-0391	1	Flywheel And Fan Kit
4	121-4162	1	Fuel Tank Kit
4:1	121-4163	1	Cap-Fuel

<i>Ref.</i>	<i>Part Number</i>	<i>Qty.</i>	<i>Description</i>
5	121-4167	1	Fuel Line Kit
6	121-4168	1	Air Vane Kit
7	121-0393	1	Starter Kit
8	121-0392	1	Alternator Kit
9	121-0395	1	Wire Harness Kit

Dipstick, Brake and Governor Arm Assembly Engine Assembly No. 120-4413



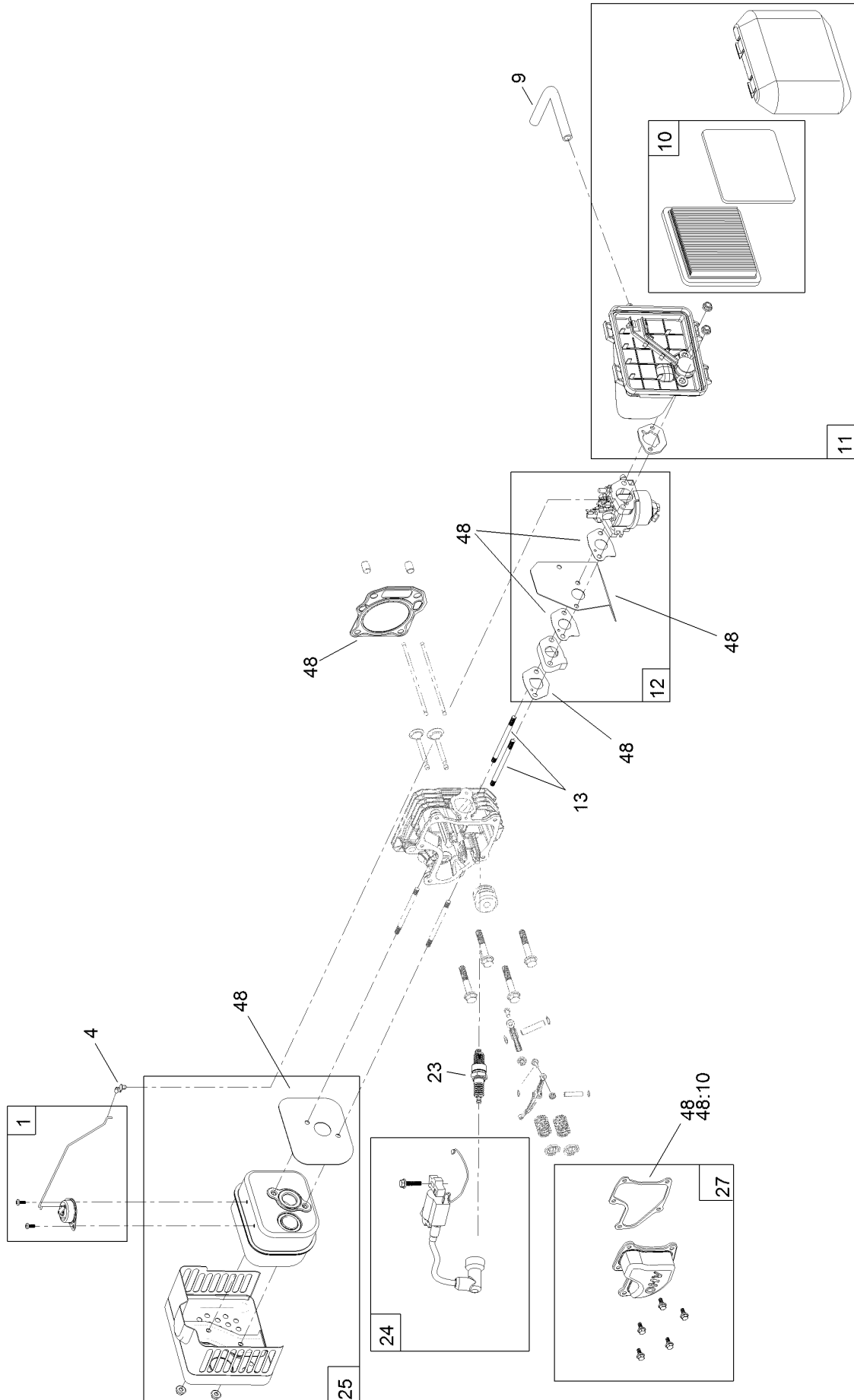
Dipstick, Brake and Governor Arm Assembly Engine Assembly No. 120-4413 (continued)

<i>Ref.</i>	<i>Part Number</i>	<i>Qty.</i>	<i>Description</i>
1	121-4279	1	Dipstick And Fill Tube Kit
11	121-4205	1	Brake Kit
47	119-1968	1	Governor Arm Kit

<i>Ref.</i>	<i>Part Number</i>	<i>Qty.</i>	<i>Description</i>
48	127-9144	1	Seal And Gasket Kit
48:10	121-4190	1	Gasket-Valve Cover ●

● Not illustrated

Carburetor, Muffler, Air Cleaner and Valve Cover Assembly Engine Assembly No. 120-4413

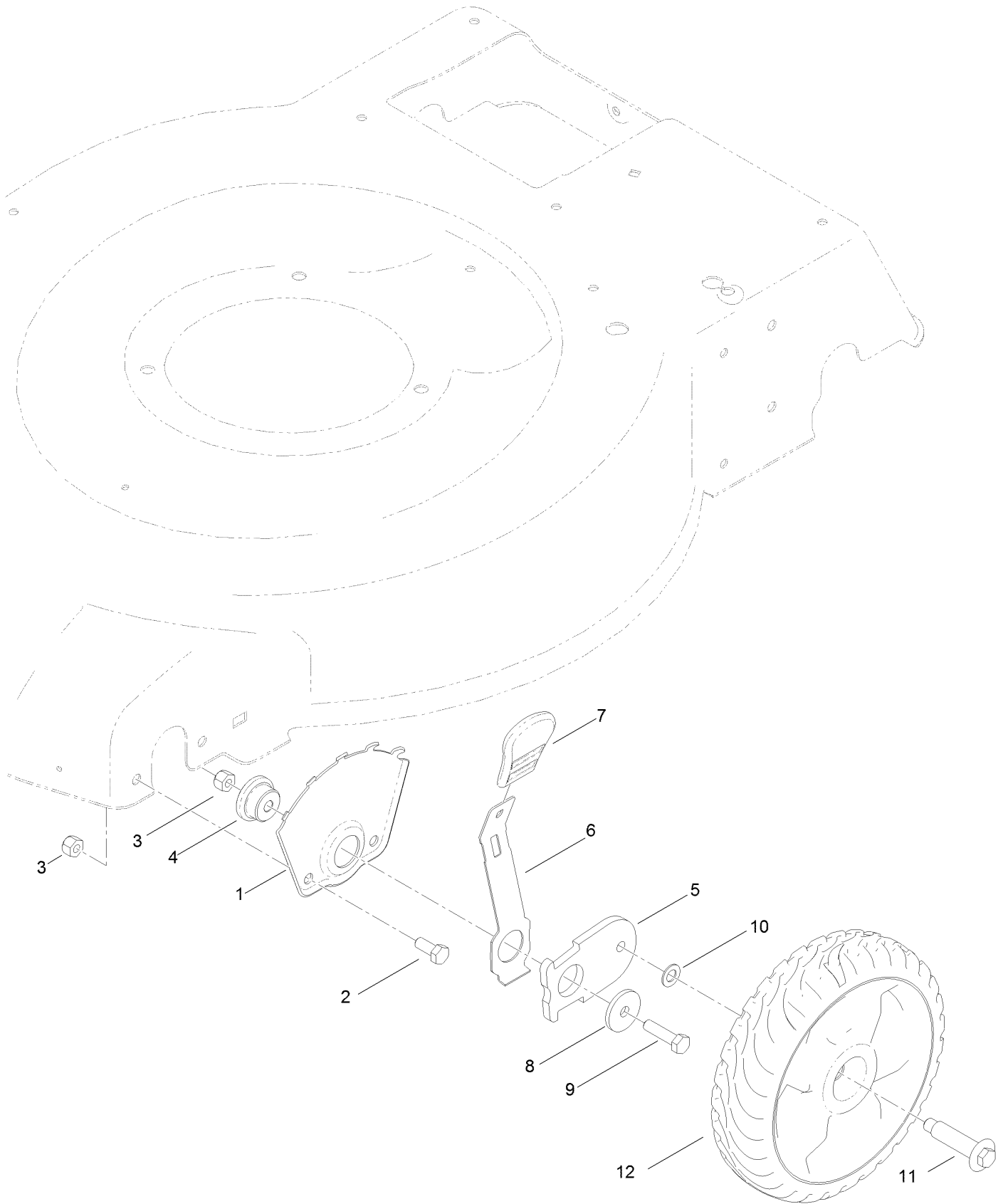


Carburetor, Muffler, Air Cleaner and Valve Cover Assembly Engine Assembly No. 120-4413 (continued)

<i>Ref.</i>	<i>Part Number</i>	<i>Qty.</i>	<i>Description</i>	<i>Ref.</i>	<i>Part Number</i>	<i>Qty.</i>	<i>Description</i>
1	121-4175	1	Thermal Control Kit	13	121-0367	2	Stud-Intake
4	120-4451	1	Lock-Throttle	23	121-4199	1	Spark Plug
9	119-1902	1	Tube-Breather	24	121-4186	1	Ignition Kit
10	119-1909	1	Air Filter And Prefilter Kit	25	121-4277	1	Muffler And Shield Kit
11	121-4177	1	Air Cleaner ASM Kit	27	121-4188	1	Valve Cover Kit
12	127-9145	1	Carb Replacement Kit	48	127-9144	1	Seal And Gasket Kit
12	127-9146	1	Carb Repair Kit With Gaskets	48:10	121-4190	1	Gasket-Valve Cover
				99	121-4242	1	High Altitude Kit ●

● Not illustrated

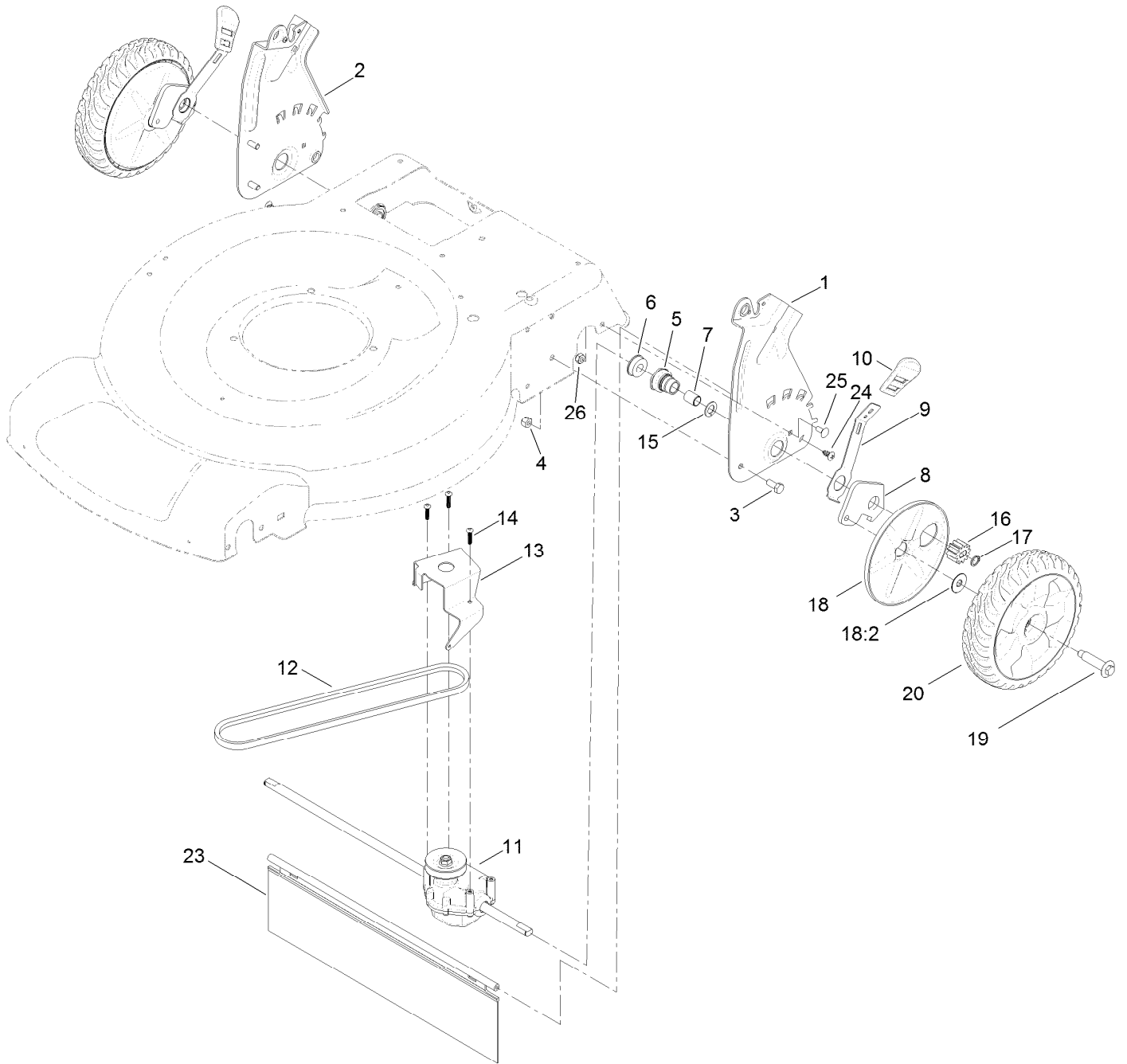
Front Wheel and Height-of-Cut Assembly



Front Wheel and Height-of-Cut Assembly (continued)

<i>Ref.</i>	<i>Part Number</i>	<i>Qty.</i>	<i>Description</i>	<i>Ref.</i>	<i>Part Number</i>	<i>Qty.</i>	<i>Description</i>
1	115-1956-03	2	Plate-HOC, Front	7	110-0549	2	Knob-HOC
2	322-3	4	Screw-HH	8	105-3048	2	Washer-Flat
3	3296-29	6	Nut-Lock, NI	9	322-6	2	Screw-HH
4	105-1818	2	Bushing-Mount, HOC	10	40-1940	2	Washer
5	105-1807	2	Arm-Pivot, Front	11	614650	2	Bolt-Shoulder
6	105-1809	2	Arm-Spring	12	115-2894	2	8 Inch Wheel ASM

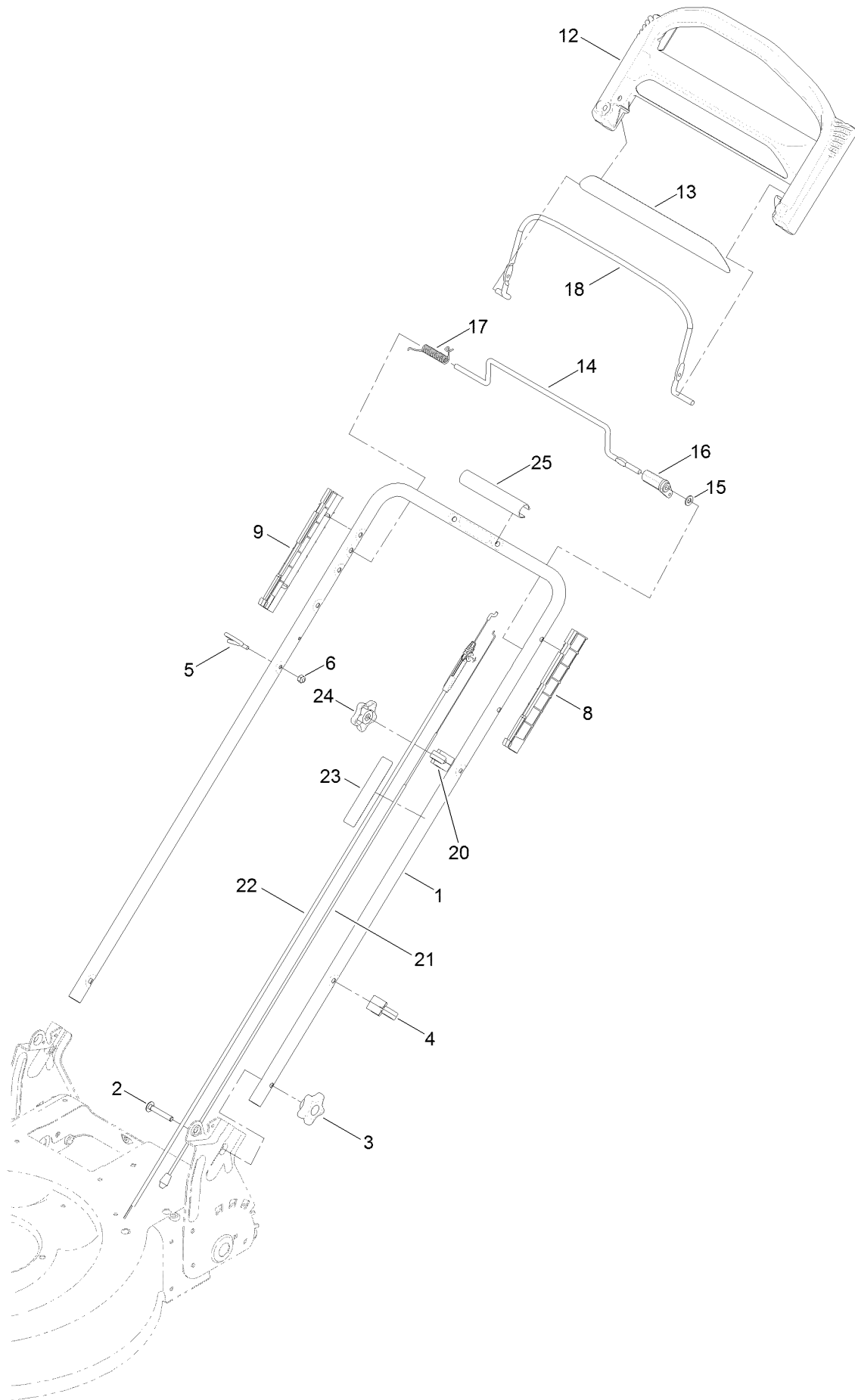
Transmission and Rear Wheel Drive Assembly



Transmission and Rear Wheel Drive Assembly (continued)

<i>Ref.</i>	<i>Part Number</i>	<i>Qty.</i>	<i>Description</i>	<i>Ref.</i>	<i>Part Number</i>	<i>Qty.</i>	<i>Description</i>
1	127-6877-03	1	Plate-Rear, LH (HOC)	14	108-7476	3	Screw-Plastite
2	127-6878-03	1	Plate-Rear, RH (HOC)	15	110-7191	2	Washer-Thrust
3	322-3	4	Screw-HH	16	110-9417	2	Gear-Pinion, 15T
4	3296-29	4	Nut-Lock, NI	17	32151-61	2	Ring-Retaining
5	108-9779	2	Retainer-Bushing, HOC	18	110-1792	2	Wheel Cover ASM
6	104-8699	2	Bearing-Ball	18:2	614426	1	Washer-Stepped
7	108-9782	2	Bushing-Sleeve	19	614650	2	Bolt-Shoulder
8	108-9781	2	Arm-Pivot, Rear	20	119-3822	2	8 Inch Wheel Gear ASM
9	108-9780	2	Arm-Spring	23	120-7012	1	Shield-Trailing
10	110-0549	2	Knob-HOC	24	117-1092	2	Screw-PTH
11	121-9178	1	Transmission ASM	25	3229-11	2	Screw-CARR
12	115-4669	1	Belt-V	26	3296-16	2	Nut-Lock, NI
13	114-7977-03	1	Bracket-Transmission				

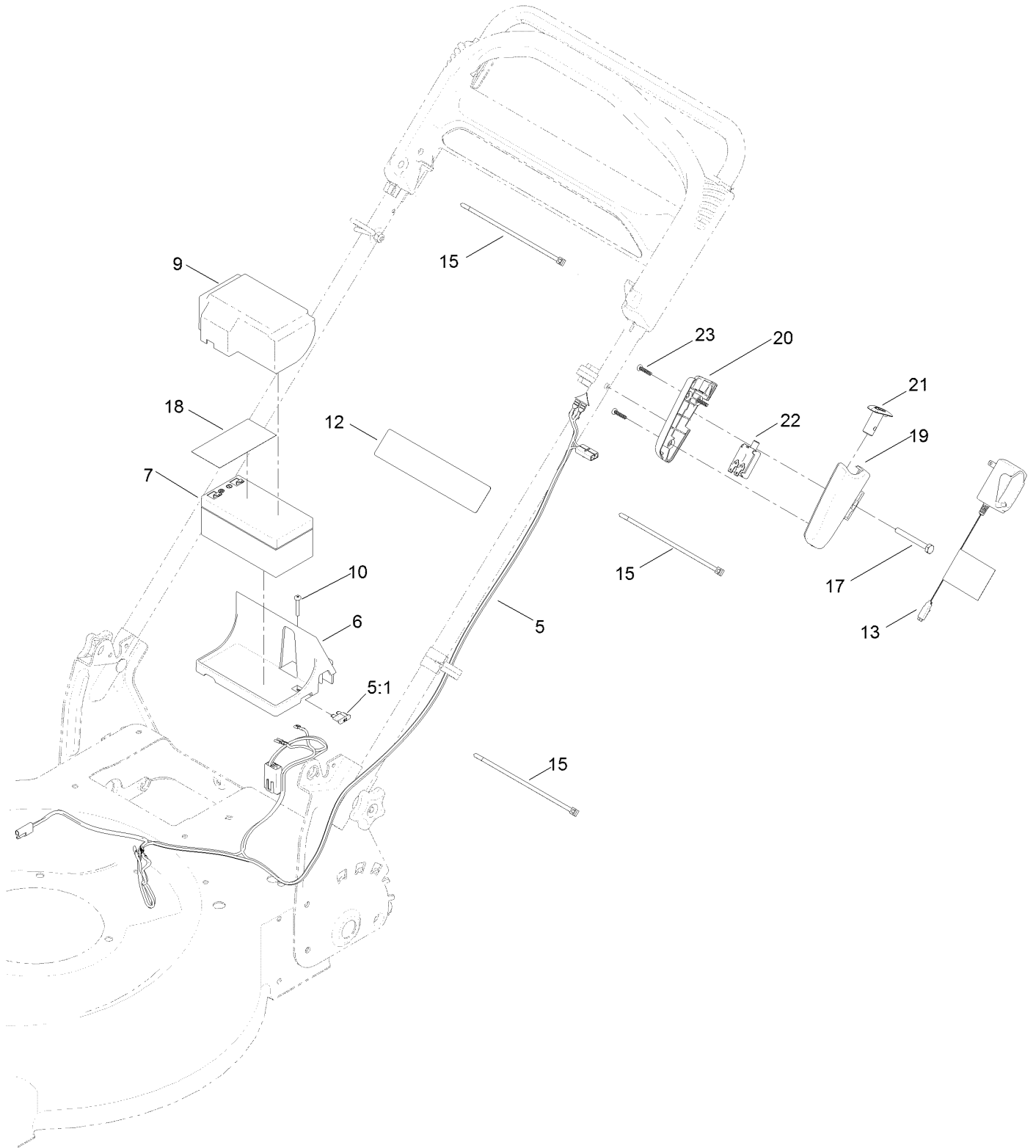
Handle Assembly



Handle Assembly (continued)

<i>Ref.</i>	<i>Part Number</i>	<i>Qty.</i>	<i>Description</i>	<i>Ref.</i>	<i>Part Number</i>	<i>Qty.</i>	<i>Description</i>
1	130-6715-05	1	Handle	15	3256-23	1	Washer-Plain
2	3230-6	2	Screw-CARR	16	99-1589	1	Lever-Traction
3	117-5976	2	Knob-Handle	17	121-9118	1	Spring-Torsion
4	114-7988	1	Guide-Cable	18	104-8679-03	1	Bail-Brake
5	86-9671	1	Guide-Rope	20	99-5239	1	Anchor-Cable
6	3296-73	1	Nut-Lock, NI	21	115-8435	1	Cable-Traction
8	105-6842	1	Guide-LH	22	115-8437	1	Cable-Brake
9	105-6841	1	Guide-RH	23	131-0894	1	Decal-Traction, Adjust
12	104-8678	1	Handle-Control	24	131-0897	1	Knob-Handle, Locking
13	117-1019	1	Decal	25	99-6339	1	Cover-Handle
14	99-1588	1	Bar-Control, Traction				

Electrical Assembly



Electrical Assembly (continued)

<i>Ref.</i>	<i>Part Number</i>	<i>Qty.</i>	<i>Description</i>	<i>Ref.</i>	<i>Part Number</i>	<i>Qty.</i>	<i>Description</i>
5	125-5024	1	Harness-Wire	15	614249	3	Tie-Cable
5:1	99-6124	1	Fuse-40 Amp	17	321-50	1	Screw-HH
6	114-7936	1	Tray-Battery	18	112-8763	1	Decal-Terminal, Battery
7	106-8397	1	Battery-Wet	19	125-2468	1	Housing-Switch, LH
9	120-3329	1	Cover-Battery	20	125-2469	1	Housing-Switch, RH
10	32144-97	1	Screw-PPH, Plastite	21	125-2470	1	Button-Switch
12	104-7953	1	Decal-Warning	22	121-9173	1	Switch-Push Button
13	114-1588	1	Charger-Battery	23	94-4496	3	Screw-PPH

Attachments and Accessories

For 20374 22in Recycler Lawn Mower

Product Name	Model/Part
Traction Assist Handle Kit.....	108-8120
High-Altitude Kit.....	121-4242
Fuel Stabilizer .05 oz.....	130-2393
Engine Maintenance Kit.....	20240
Lawn Striping Kit with 22in Roller.....	20601
Replacement Drive Belt Kit, 22-inch 2009 and After Rear-Wheel Drive Lawn Mower.....	38991
Lawnmower Cover.....	490-7462
Replacement Bag.....	59310
Replacement Frame and Bag Kit.....	59312
8in Gear Wheel ASM.....	59502
8in Gear Wheel ASM RWD.....	59503
22 Inch Atomic Blade.....	59534P

Notes:

Notes:

Notes:



Count on it.