



Count on it.

Parts Catalog

22in Recycler®

Lawn Mower

Model No. 20373—Serial No. 313000001 and Up



Ordering Replacement Parts

To order replacement parts, please supply the part number, the quantity, and the description of each part desired.

Understanding Reference Numbers

Each identified part in an illustration has a reference number. The reference number for a part also appears in the parts list, along with other information about the part.

This catalog uses two special reference number formats, one to indicate parts in a service assembly and another to indicate the quantity of a given part in an illustration.

Service Assembly Reference Numbers

Parts in service assemblies have reference numbers in the form a:b. The a represents the reference number of the entire service assembly and the b represents a sequential number unique to each part within the service assembly.

For example, a wheel assembly might be identified by reference number 6, the tire by 6:1, the valve by 6:2, and the wheel by 6:3. When you order the assembly identified by reference number 6, you receive all parts identified by reference numbers 6:1, 6:2, and 6:3. However, you may also order any part individually. Reference numbers of this type appear in illustration and in parts lists.

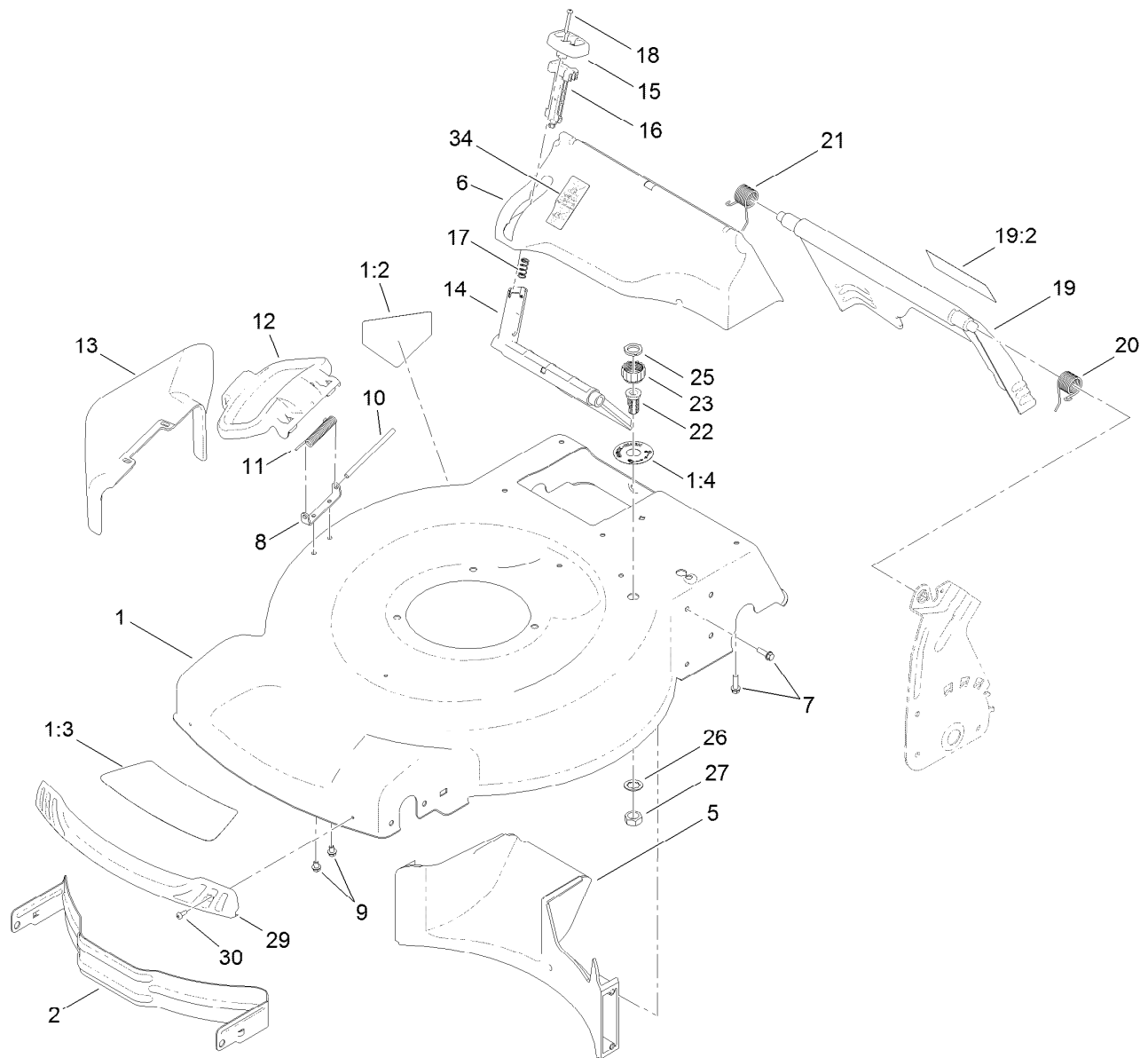
Reference Numbers Indicating Quantity

In an illustration, if a reference number indicates more than one part, the reference number has the form nX y. The n represents the quantity of the part, the X is the multiplication symbol, and the y represents the reference number.

For example, in an illustration, the reference number 2X 37 means that two of the parts identified by reference number 37 are indicated.

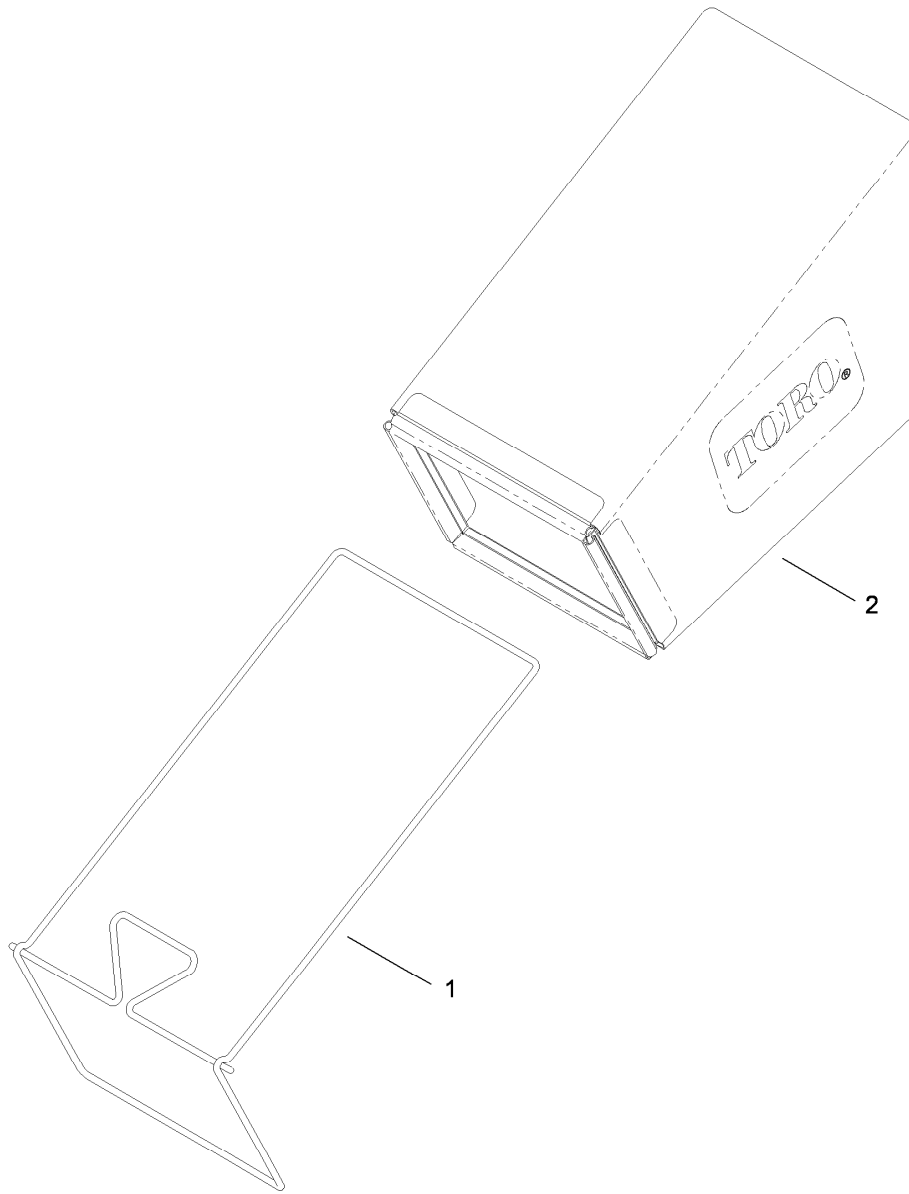
Contents

Deck, Side Chute and Rear Door Assembly	4
Rear Bag Assembly	5
Engine and Blade Assembly	6
Shroud, Flywheel and Fuel Tank Assembly	7
Dipstick, Brake and Governor Arm Assembly	8
Carburetor, Muffler, Air Cleaner and Valve Cover Assembly	9
Front Wheel and Height-of-Cut Assembly	10
Transmission and Rear Wheel Drive Assembly	11
Upper Handle Assembly	12
Brake Control Assembly	13
Attachments and Accessories	14



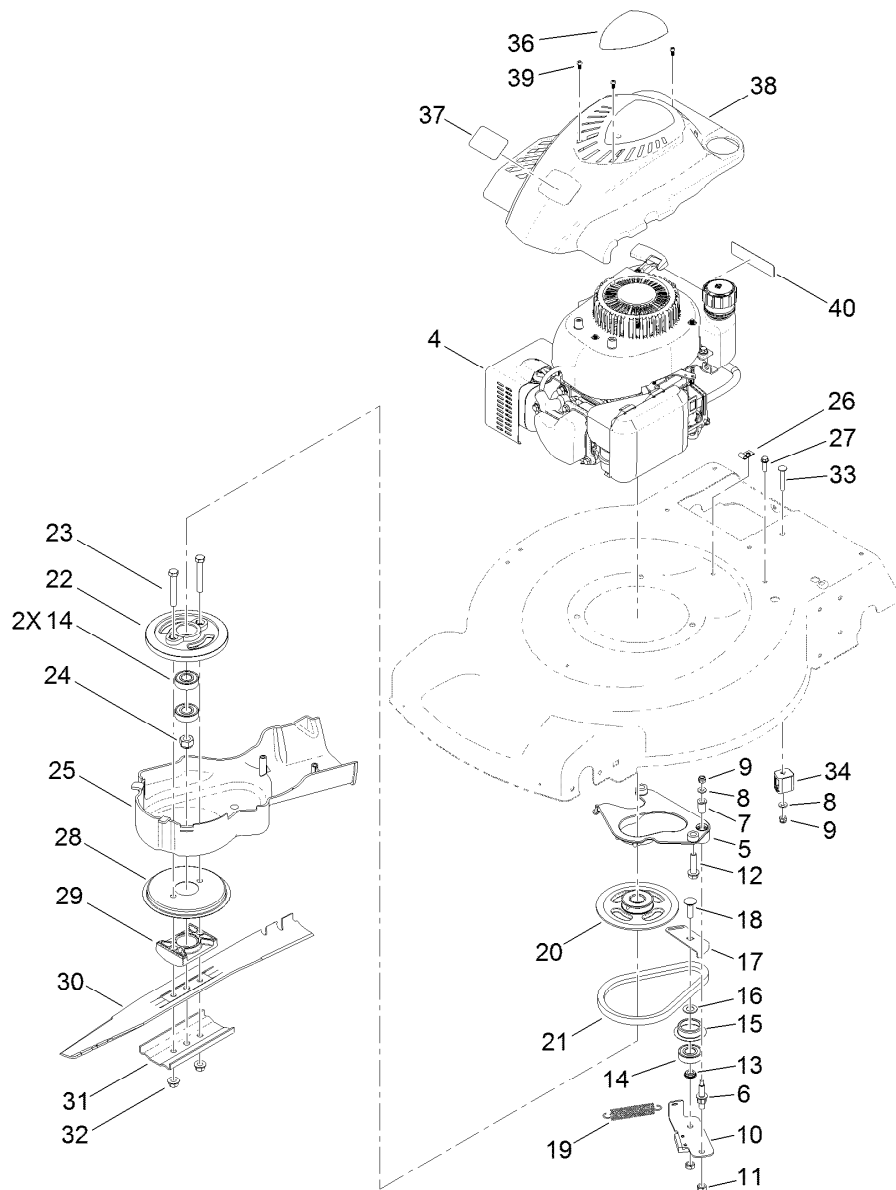
Deck, Side Chute and Rear Door Assembly

Ref.	Part Number	Qty.	Description	Ref.	Part Number	Qty.	Description
1	117-1084	1	Housing ASM	16	114-7959	1	Latch-Recycle
1:2	94-8072	1	Decal-Danger	17	117-1031	1	Spring-Compression
1:3	115-4676	1	Decal-Recycler	18	32104-120	2	Screw-PPH
1:4	112-8867	1	Decal-Port, Washout	19	121-5776	1	Rear Door ASM
2	114-7963-01	1	Baffle-Front	19:2	114-7982	1	Decal-Warning
5	114-7961	1	Baffle-Rear	20	115-2859	1	Spring-Torsion
6	115-4677	1	Chute-Recycle	21	114-7924	1	Spring-Torsion
7	46-8091	9	Screw-HWH	22	112-6400	1	Port-Washout
8	112-6416	1	Bracket-Cover	23	112-6401	1	Coupling-Hose, Washout Port
9	99-8445	2	Screw-HWH	25	112-6438	1	Washer-Seal, Washout Port
10	99-5291	1	Rod-Cover	26	3254-5	1	Washer-Tooth, Internal
11	99-5293	1	Spring-Torsion	27	3218-6	1	Nut-Jam
12	115-8449	1	Deflector-Side	29	114-7987	1	Bumper
13	115-8447	1	Chute-Discharge, Side	30	105-6849	2	Screw-Forming, Thread
14	114-7960	1	Deflector-Recycle	34	119-0305	1	Decal-Bag On Demand
15	114-7958	1	Knob-Recycle				



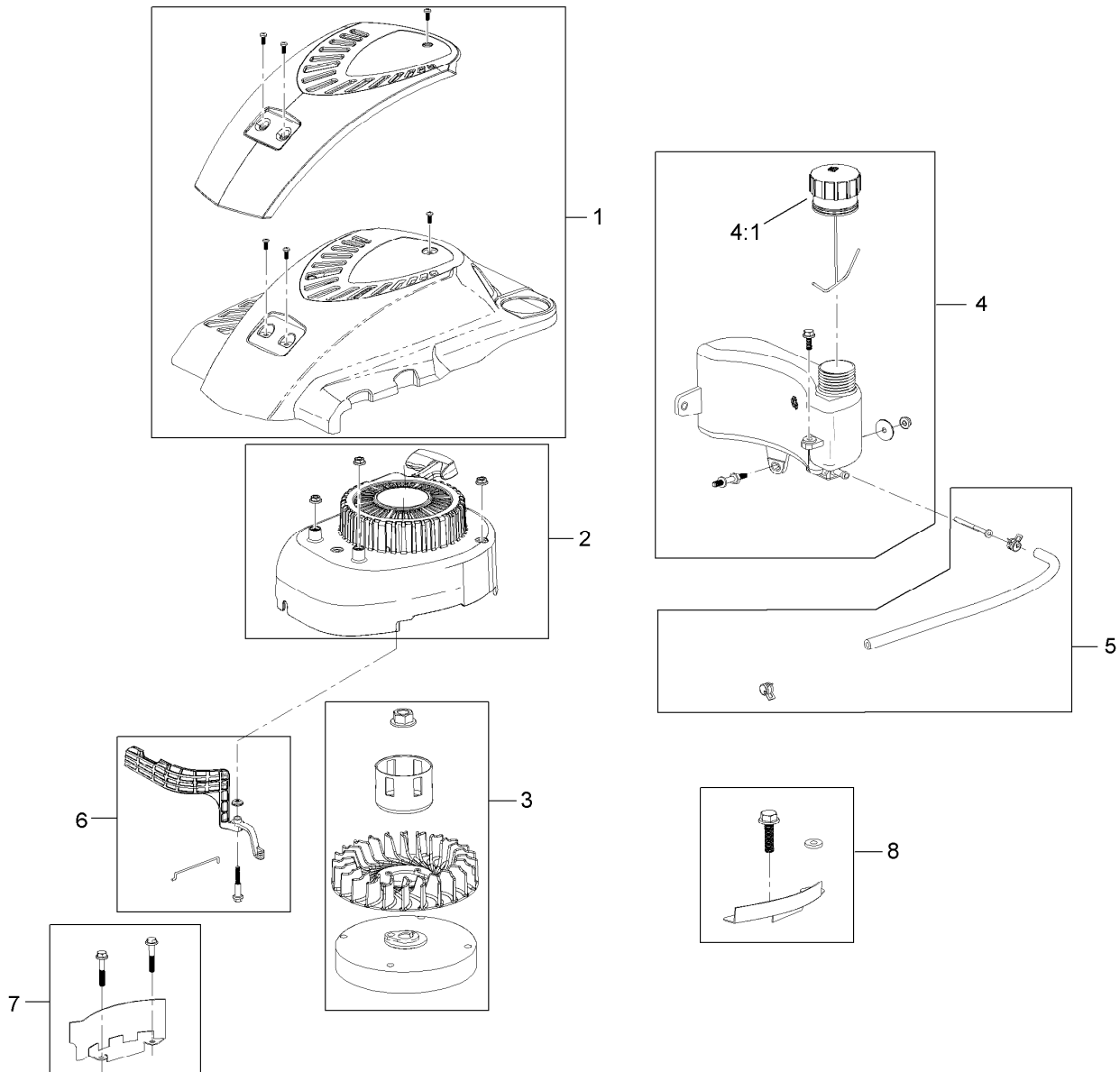
Rear Bag Assembly

<i>Ref.</i>	<i>Part Number</i>	<i>Qty.</i>	<i>Description</i>
1	114-2679-03	1	Frame-Bag
2	115-4673	1	Grass Bag ASM



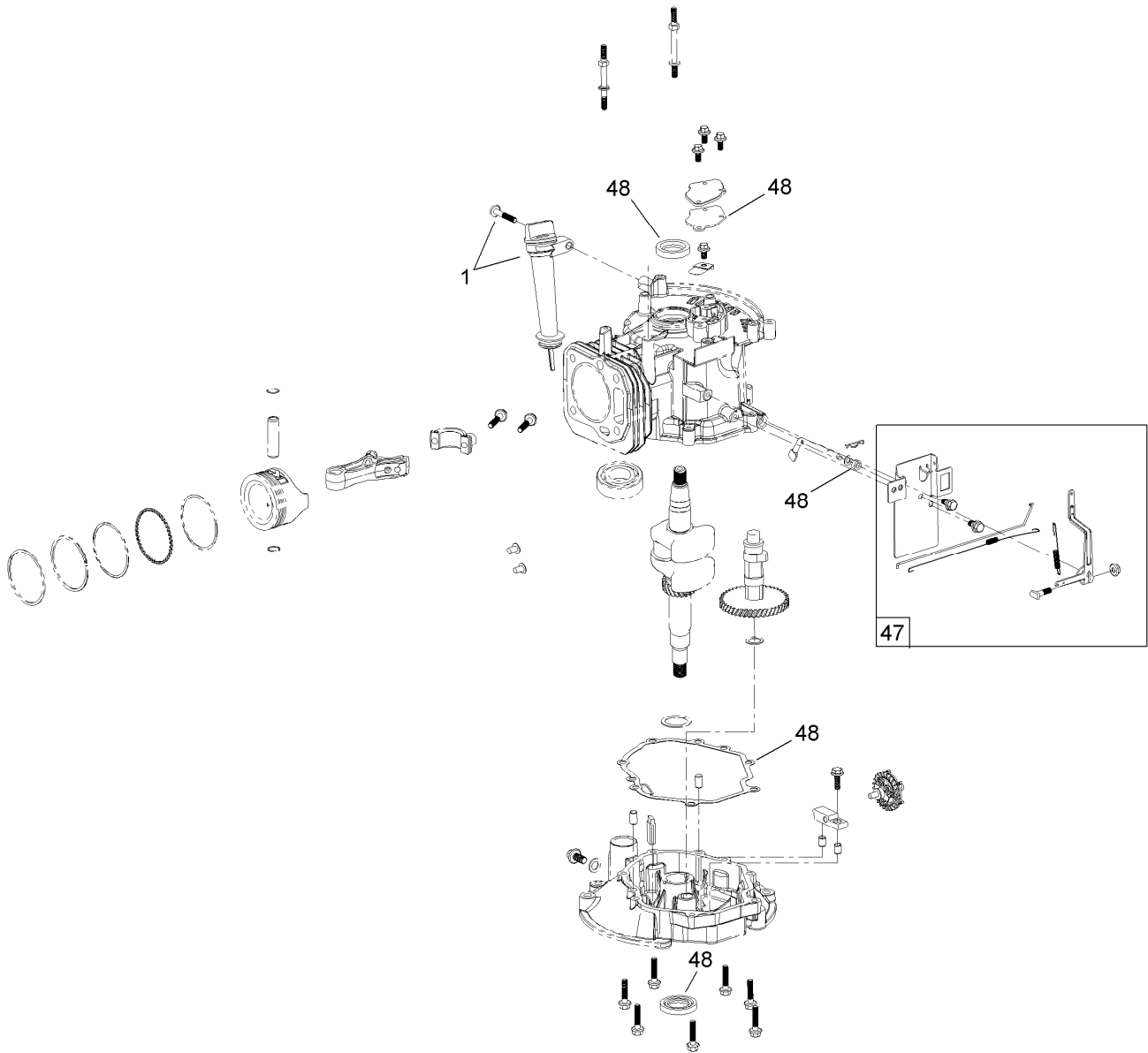
Engine and Blade Assembly

Ref.	Part Number	Qty.	Description	Ref.	Part Number	Qty.	Description
4	120-4412	1	Engine-1P65Fc	22	107-0754	1	Drum
5	108-9341	1	Plate-Anchor	23	3211-42	2	Screw-HH
6	107-0759	1	Bolt-Shoulder	24	108-9342	1	Nut-Hex
7	107-0797	1	Bushing	25	115-2892	1	Cover
8	3256-16	2	Washer-Flat	26	2412-72	1	Clip-Closed, Insulated
9	3296-73	2	Nut-Lock, NI	27	46-8091	2	Screw-HWH
10	120-3327	1	Brake Arm ASM	28	108-3787	1	Disc
11	603773	2	Nut	29	107-7487	1	Support-Blade
12	32144-102	3	Screw-HWH	30	108-9764-03	1	Blade-22 Inch
13	107-0758	1	Spacer-Bearing	31	108-3766-03	1	Support-Blade
14	100-1048	3	Bearing-Ball	32	54-9190	2	Nut-Lock
15	108-3790	1	Retainer-Belt	33	3229-5	1	Screw-CARR
16	605256	1	Washer-Plain	34	106-6801	1	Anchor-Cable
17	107-7471	1	Plate-Guide	36	125-5036	1	Decal-Shroud
18	3231-25	1	Bolt-CARR	37	125-2505	1	Decal
19	108-3792	1	Spring-Tension, Brake	38	121-0443	1	Shroud
20	117-5970	1	Pulley	39	121-4155	3	Screw-PPH
21	110-1790	1	Belt	40	117-2718	1	Decal-Arrester, Spark



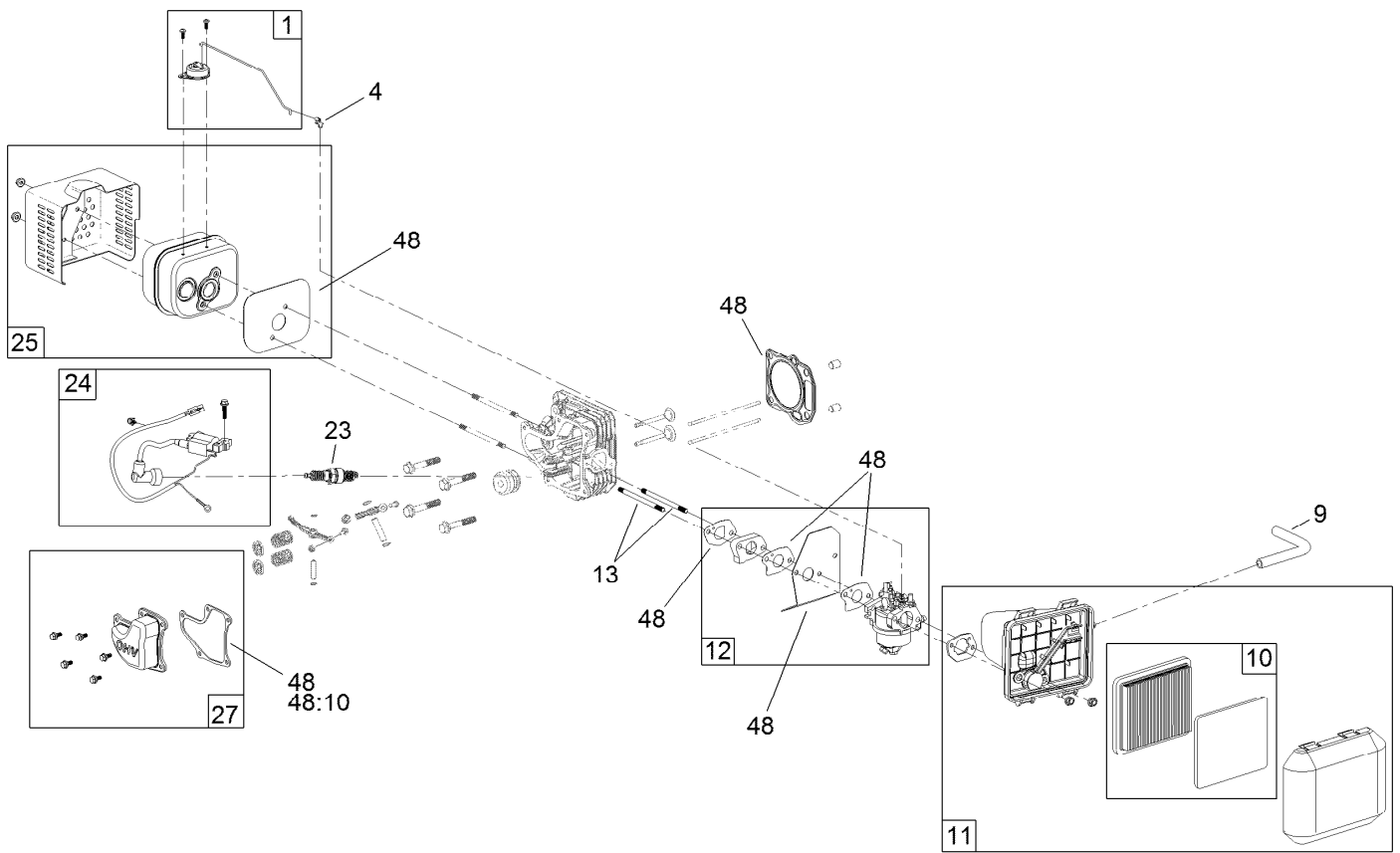
Shroud, Flywheel and Fuel Tank Assembly

Ref.	Part Number	Qty.	Description
1	119-1990	1	Shroud ASM
2	121-4160	1	Recoil And Blower Shroud Kit
3	121-0388	1	Flywheel And Fan Kit
4	121-4162	1	Fuel Tank Kit
4:1	121-4163	1	Cap-Fuel
5	121-4167	1	Fuel Line Kit
6	121-4168	1	Air Vane Kit
7	119-1994	1	Flywheel Shield Kit
8	121-4207	1	Flywheel Guard Kit, BBC



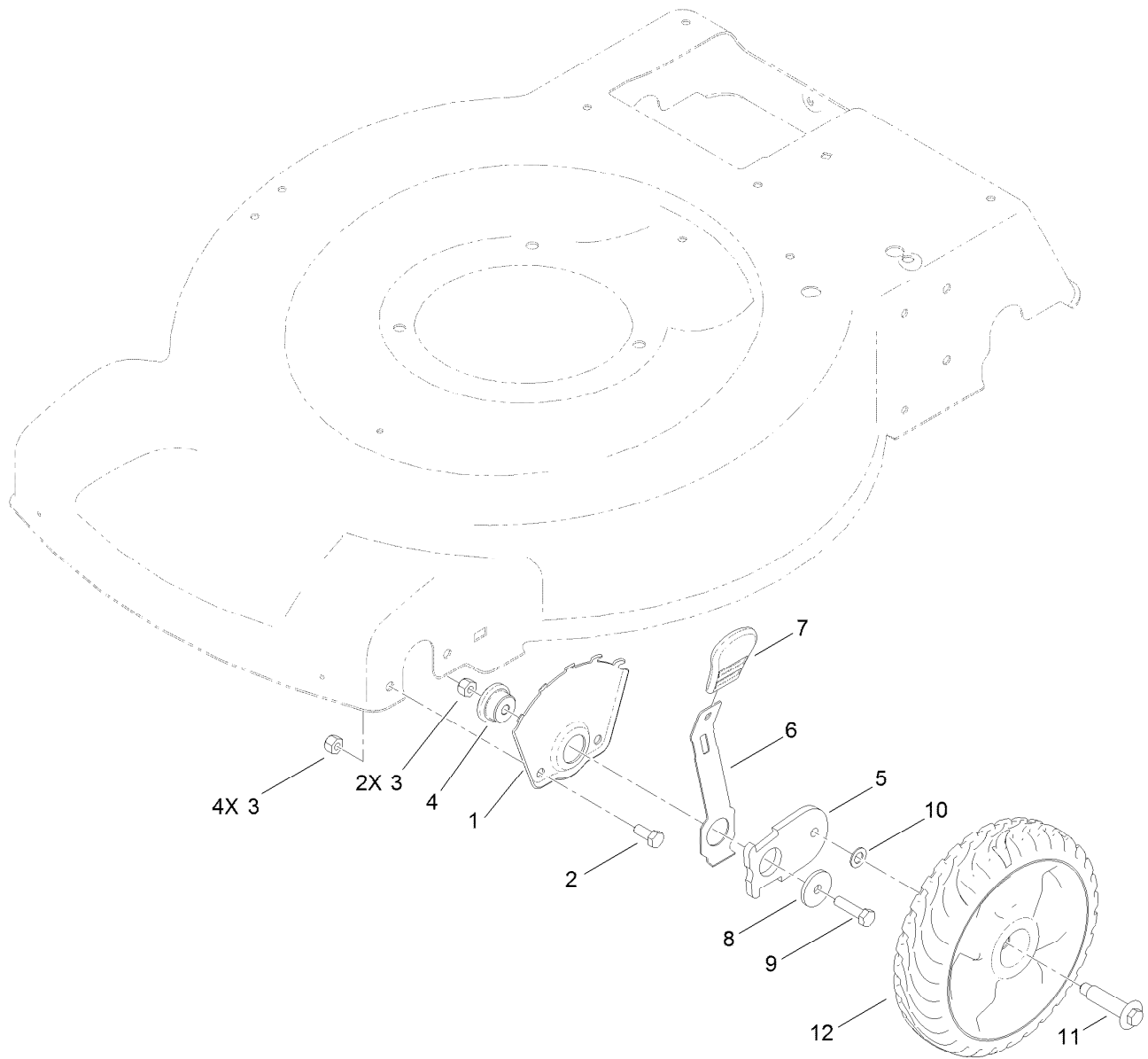
Dipstick, Brake and Governor Arm Assembly

<i>Ref.</i>	<i>Part Number</i>	<i>Qty.</i>	<i>Description</i>
1	119-1903	1	Dipstick And Fill Tube Kit
47	119-1968	1	Governor Arm Kit
48	127-9144	1	Seal And Gasket Kit



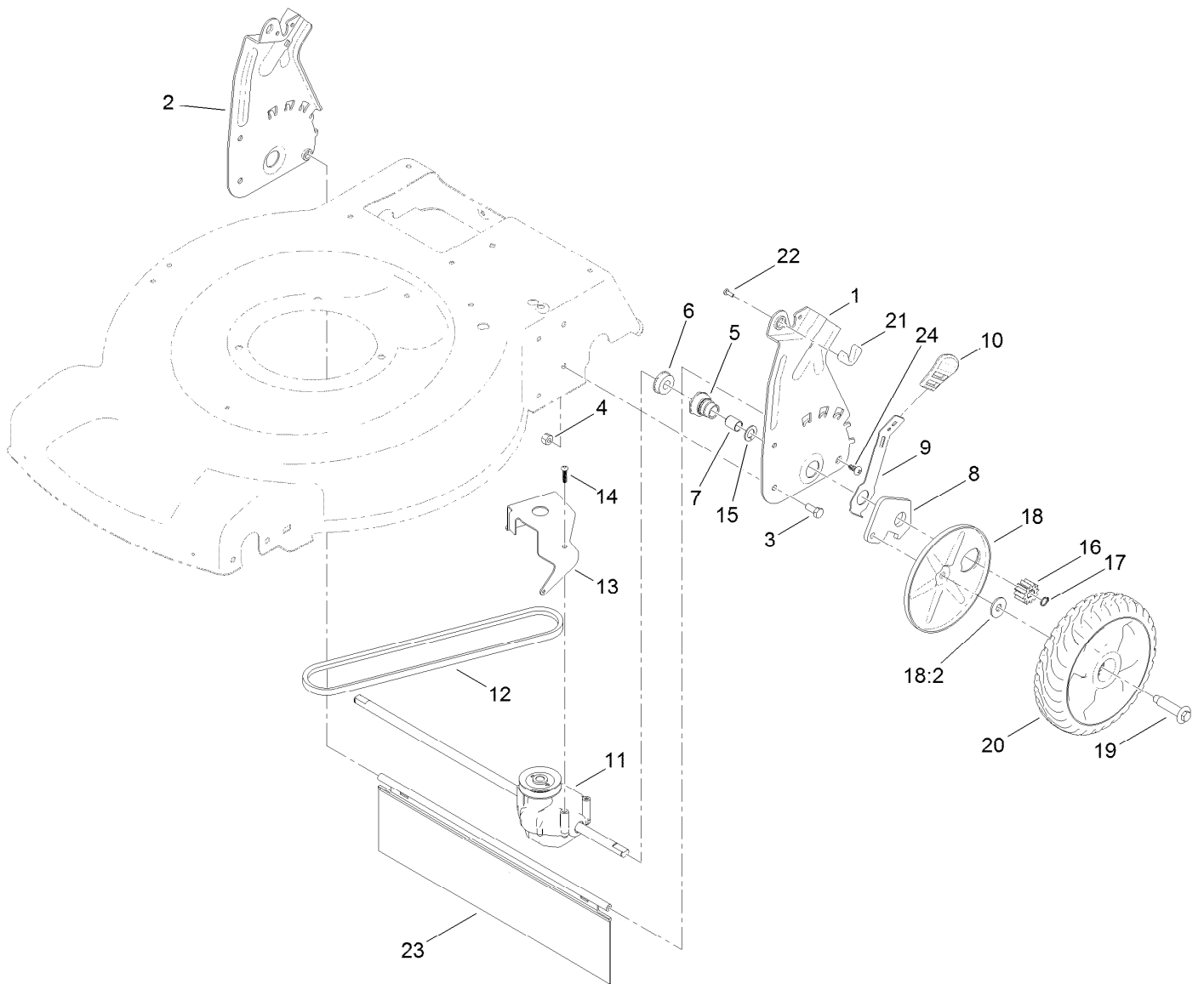
Carburetor, Muffler, Air Cleaner and Valve Cover Assembly

Ref.	Part Number	Qty.	Description
1	121-4175	1	Thermal Control Kit
4	120-4451	1	Lock-Throttle
9	119-1902	1	Tube-Breather
10	119-1909	1	Air Filter And Prefilter Kit
11	121-4177	1	Air Cleaner ASM Kit
12	120-4405	1	Carburetor Repair Kit
12	121-4181	1	Carburetor Complete Kit
13	121-0367	2	Stud-Intake
23	121-4199	1	Spark Plug
24	121-4209	1	Ignition Coil Kit, BBC
25	119-1969	1	Muffler And Shield Kit
27	121-4188	1	Valve Cover Kit
48	127-9144	1	Seal And Gasket Kit
48:10	121-4190	1	Gasket-Valve Cover



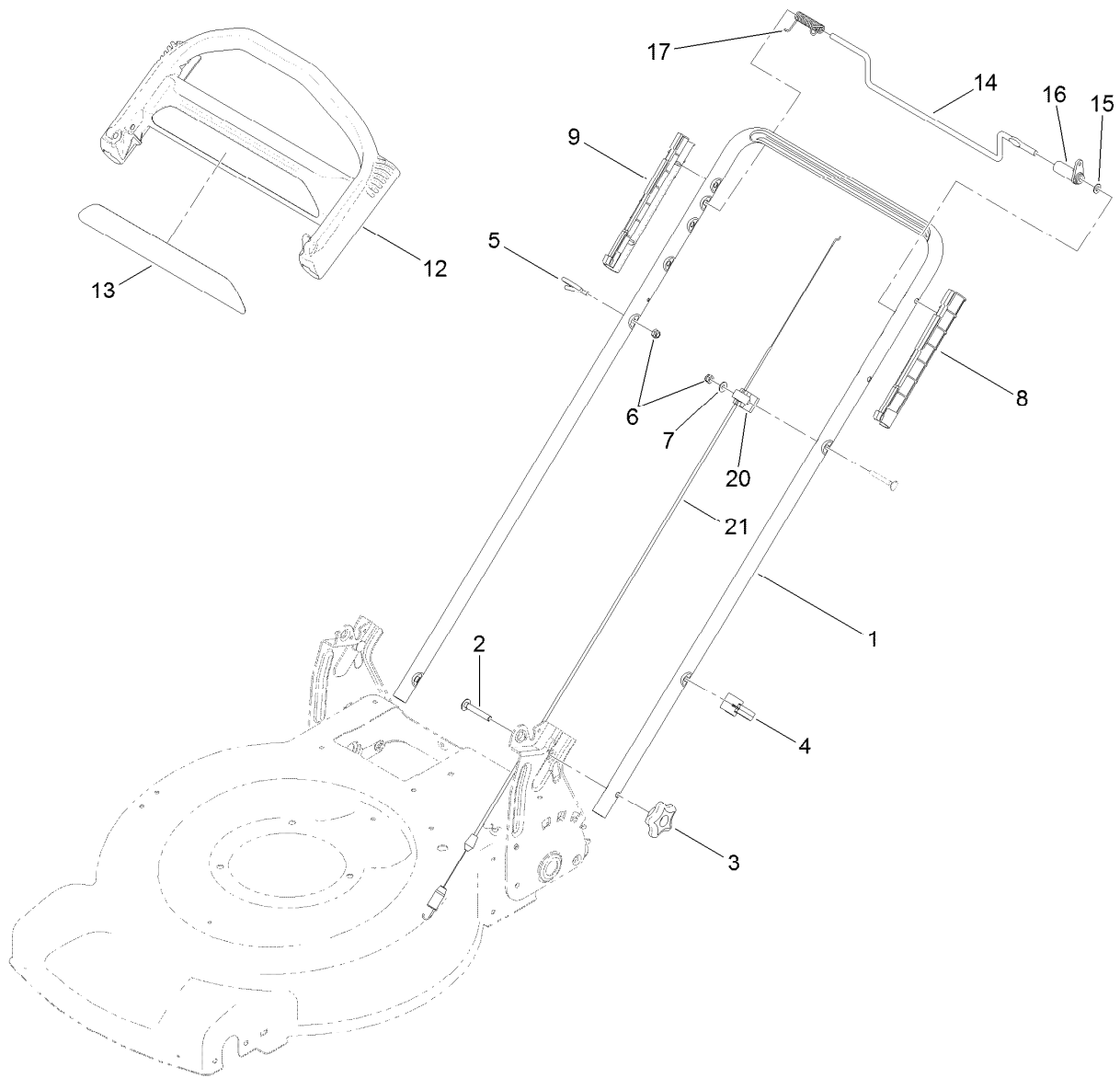
Front Wheel and Height-of-Cut Assembly

Ref.	Part Number	Qty.	Description
1	115-1956-03	2	Plate-HOC, Front
2	322-3	4	Screw-HH
3	3296-29	6	Nut-Lock, NI
4	105-1818	2	Bushing-Mount, HOC
5	105-1807	2	Arm-Pivot, Front
6	105-1809	2	Arm-Spring
7	110-0549	2	Knob-HOC
8	105-3048	2	Washer-Flat
9	322-6	2	Screw-HH
10	40-1940	2	Washer
11	614650	2	Bolt-Shoulder
12	115-2894	2	8 Inch Wheel ASM



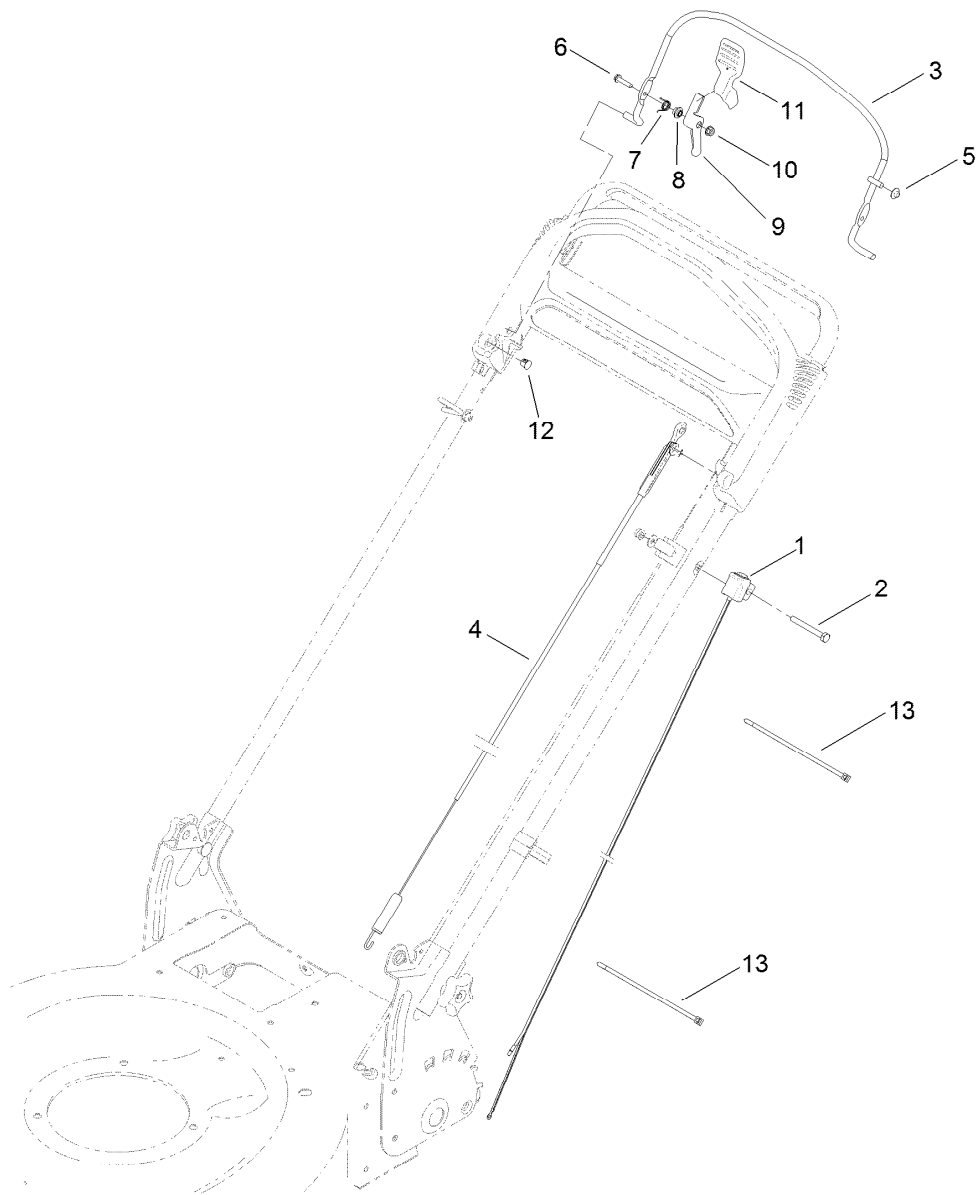
Transmission and Rear Wheel Drive Assembly

<i>Ref.</i>	<i>Part Number</i>	<i>Qty.</i>	<i>Description</i>	<i>Ref.</i>	<i>Part Number</i>	<i>Qty.</i>	<i>Description</i>
1	114-7955-03	1	Plate-Rear, LH (HOC)	14	108-7476	3	Screw-Plastite
2	114-7956-03	1	Plate-Rear, RH (HOC)	15	110-7191	2	Washer-Thrust
3	322-3	4	Screw-HH	16	115-4668	2	Gear-Pinion
4	3296-29	4	Nut-Lock, NI	17	32151-61	2	Ring-Retaining
5	108-9779	2	Retainer-Bushing, HOC	18	110-1792	2	Wheel Cover ASM
6	104-8699	2	Bearing-Ball	18:2	614426	1	Washer-Stepped
7	108-9782	2	Bushing-Sleeve	19	614650	2	Bolt-Shoulder
8	108-9781	2	Arm-Pivot, Rear	20	115-4695	2	8 Inch Wheel Gear ASM
9	108-9780	2	Arm-Spring	21	115-8406	2	Anchor-Bag
10	110-0549	2	Knob-HOC	22	105-9437	2	Screw-PPH
11	115-4652	1	Transmission	23	120-7012	1	Shield-Trailing
12	115-4669	1	Belt-V	24	117-1092	2	Screw-PTH
13	114-7977-03	1	Bracket-Transmission				



Upper Handle Assembly

<i>Ref.</i>	<i>Part Number</i>	<i>Qty.</i>	<i>Description</i>	<i>Ref.</i>	<i>Part Number</i>	<i>Qty.</i>	<i>Description</i>
1	119-3810-05	1	Handle	12	104-8678	1	Handle-Control
2	3230-6	2	Screw-CARR	13	117-1019	1	Decal
3	117-5976	2	Knob-Handle	14	99-1588	1	Bar-Control, Traction
4	114-7988	1	Guide-Cable	15	3256-23	1	Washer-Plain
5	86-9671	1	Guide-Rope	16	99-1589	1	Lever-Traction
6	3296-73	2	Nut-Lock, NI	17	121-9118	1	Spring-Torsion
7	3256-1	1	Washer-Flat	20	99-5239	1	Anchor-Cable
8	105-6842	1	Guide-LH	21	115-8435	1	Cable-Traction
9	105-6841	1	Guide-RH				



Brake Control Assembly

<i>Ref.</i>	<i>Part Number</i>	<i>Qty.</i>	<i>Description</i>
1	121-2347	1	Harness
2	321-50	1	Screw-HH
3	108-3788-03	1	Bail-Brake
4	115-8439	1	Cable-Brake
5	3290-337	1	Nut-Speed
6	106-9169	1	Screw-HWH
7	107-7462	1	Spring-Torsion
8	107-7463	1	Spacer
9	106-6802	1	Lever
10	32128-17	1	Nut-Lock, Flange
11	112-8884	1	Knob
12	104-9368	1	Plug-Dome
13	614249	2	Tie-Cable

Attachments and Accessories

For 20373 22in Recycler Lawn Mower

Product Name	Model/Part
Traction Assist Handle Kit.....	108-8120
Engine Maintenance Kit.....	20240
Replacement Bag	59310
Replacement Frame and Bag Kit.....	59312
22 Inch Atomic Blade.....	59534P

Notes:



Count on it.