



## EXHAUST DEFLECTOR KIT (For Lawn Tractors)

PART NO. 94-6872

**INSTALLATION  
INSTRUCTIONS**

### Loose Parts

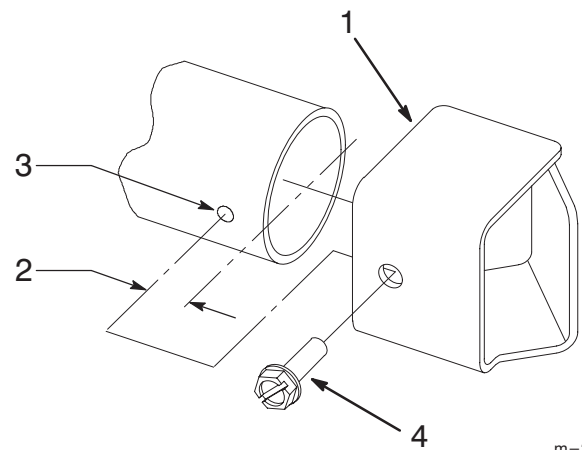
**Note:** Use the chart below to identify parts for assembly.

DESCRIPTION	QTY.	USE
Exhaust Deflector	1	New installation.
Screw, Self Threading; 8-12 x 1/2" (13mm)	1	To attach exhaust deflector to exhaust pipe.

### Procedure

Make sure exhaust pipe on tractor is cool to the touch.

1. Mark hole location on tailpipe, 5/16" (8 mm) from end of pipe on horizontal center line (Fig. 1).
2. Center punch and drill a 1/8" (3 mm) hole into tailpipe (Fig. 1).
3. Secure exhaust deflector to pipe with self threading screw.



m-2433

**Figure 1**

- |                      |                         |
|----------------------|-------------------------|
| 1. Exhaust Deflector | 3. 1/8" (3 mm)          |
| 2. 5/16" (8 mm)      | 4. Self Threading Screw |