



Count on it.

Parts Catalog

22in Recycler®

Lawn Mower

Model No. 20353—Serial No. 316000001 and Up



Ordering Replacement Parts

To order replacement parts, please supply the part number, the quantity, and the description of each part desired.

Understanding Reference Numbers

Each identified part in an illustration has a reference number. The reference number for a part also appears in the parts list, along with other information about the part.

This catalog uses two special reference number formats, one to indicate parts in a service assembly and another to indicate the quantity of a given part in an illustration.

Service Assembly Reference Numbers

Parts in service assemblies have reference numbers in the form a:b. The a represents the reference number of the entire service assembly and the b represents a sequential number unique to each part within the service assembly.

For example, a wheel assembly might be identified by reference number 6, the tire by 6:1, the valve by 6:2, and the wheel by 6:3. When you order the assembly identified by reference number 6, you receive all parts identified by reference numbers 6:1, 6:2, and 6:3. However, you may also order any part individually. Reference numbers of this type appear in illustration and in parts lists.

Reference Numbers Indicating Quantity

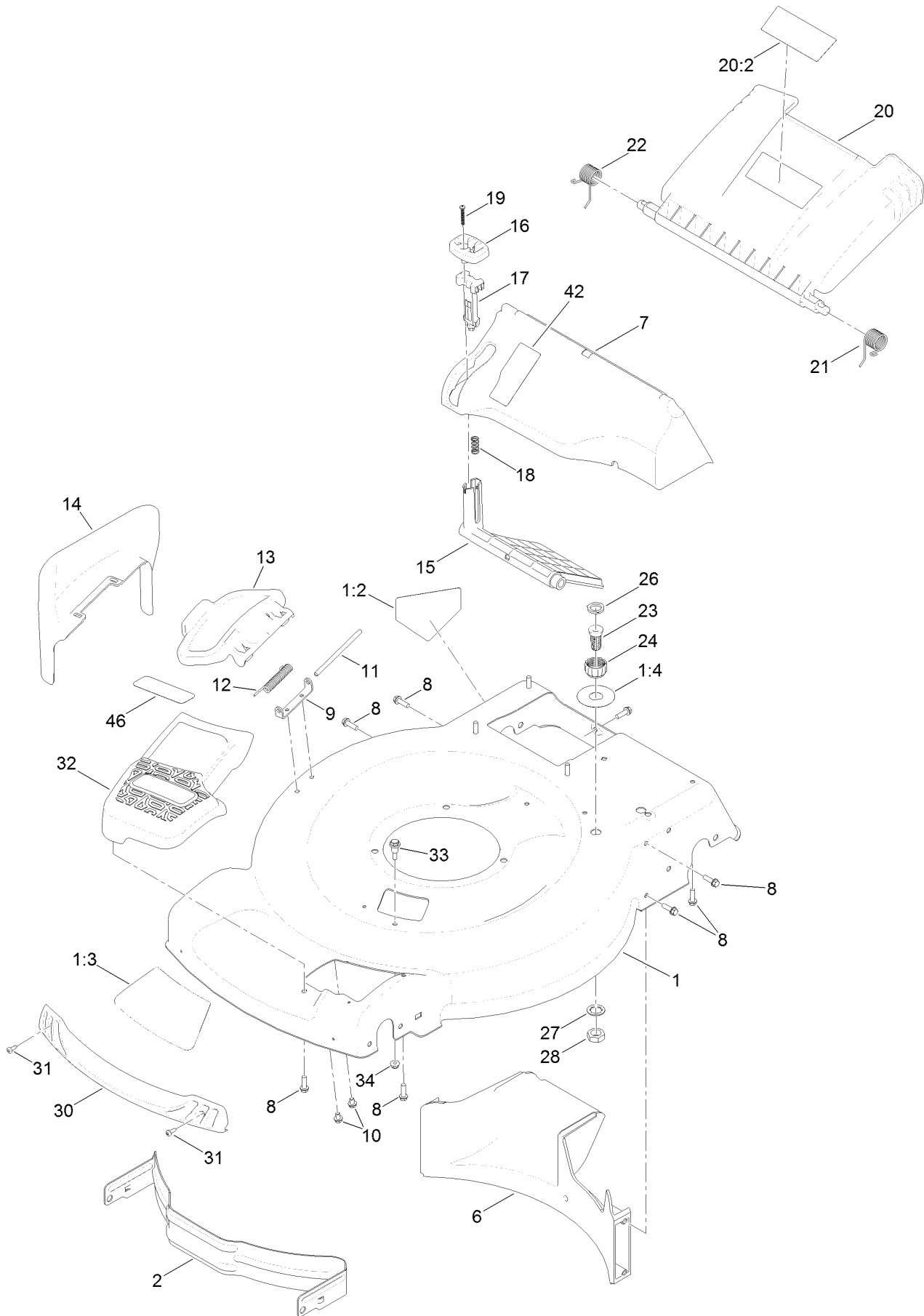
In an illustration, if a reference number indicates more than one part, the reference number has the form nX y. The n represents the quantity of the part, the X is the multiplication symbol, and the y represents the reference number.

For example, in an illustration, the reference number 2X 37 means that two of the parts identified by reference number 37 are indicated.

Contents

Housing and Rear Deflector Assembly	4
Rear Bag Assembly	6
Engine and Blade Assembly	8
Transmission and Front Wheel Drive Assembly	10
Height-of-Cut and Rear Wheel Assembly	12
Handle Assembly	14
Attachments and Accessories	16

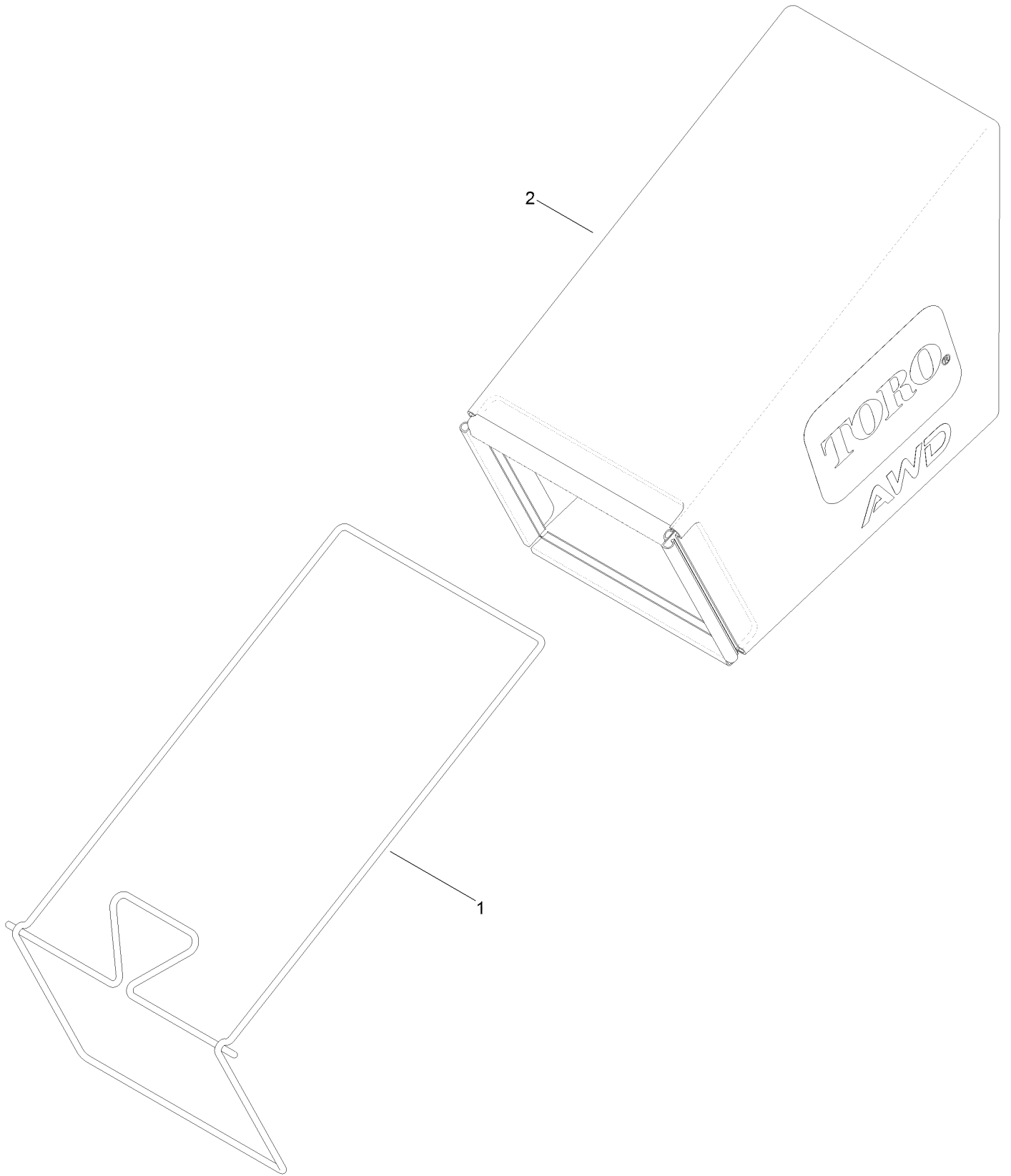
Housing and Rear Deflector Assembly



Housing and Rear Deflector Assembly (continued)

<i>Ref.</i>	<i>Part Number</i>	<i>Qty.</i>	<i>Description</i>	<i>Ref.</i>	<i>Part Number</i>	<i>Qty.</i>	<i>Description</i>
1	131-4579	1	Housing ASM	19	32104-120	2	Screw-PPH
1:2	94-8072	1	Decal-Danger	20	121-5776	1	Rear Door ASM
1:3	131-4526	1	Decal-Deck	20:2	131-4514	1	Decal-Warning
1:4	112-8867	1	Decal-Port, Washout	21	115-2859	1	Spring-Torsion
2	114-7963-01	1	Baffle-Front	22	114-7924	1	Spring-Torsion
6	114-7961	1	Baffle-Rear	23	112-6400	1	Port-Washout
7	132-4501	1	Chute-Recycle	24	112-6401	1	Coupling-Hose, Washout Port
8	46-8091	11	Screw-HWH	26	112-6438	1	Washer-Seal, Washout Port
9	112-6416	1	Bracket-Cover	27	3254-5	1	Washer-Tooth, Internal
10	99-8445	2	Screw-HWH	28	3218-6	1	Nut-Jam
11	99-5291	1	Rod-Cover	30	114-7987	1	Bumper
12	99-5293	1	Spring-Torsion	31	105-6849	2	Screw-Forming, Thread
13	115-8449	1	Deflector-Side	32	130-6708	1	Cover-Belt, Front
14	115-8447	1	Chute-Discharge, Side	33	104-0858	1	Bolt-Shoulder
15	114-7960	1	Deflector-Recycle	34	3296-16	1	Nut-Lock, NI
16	114-7958	1	Knob-Recycle	42	125-5026	1	Decal
17	114-7959	1	Latch-Recycle	46	131-4527	1	Decal-Cover
18	117-1031	1	Spring-Compression				

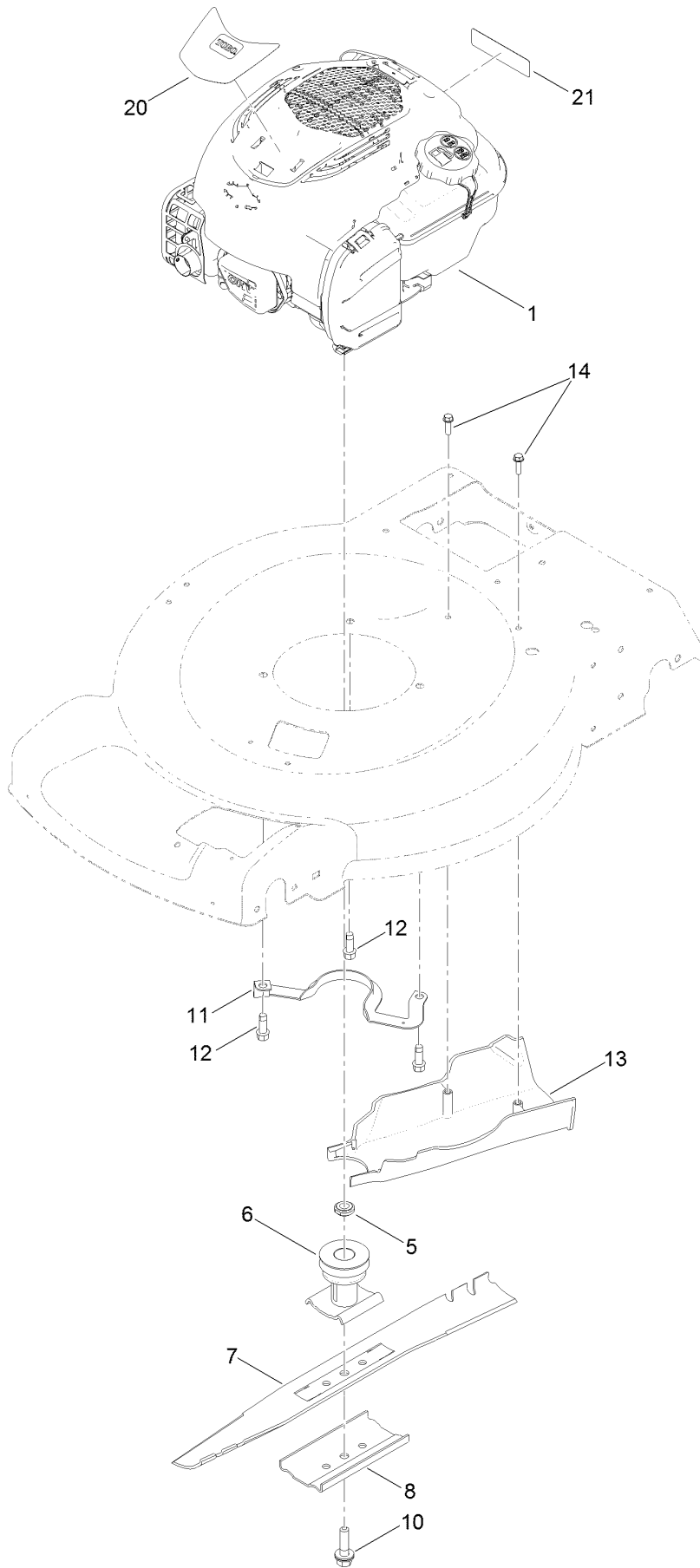
Rear Bag Assembly



Rear Bag Assembly (continued)

<i>Ref.</i>	<i>Part Number</i>	<i>Qty.</i>	<i>Description</i>
1	114-2679-03	1	Frame-Bag
2	131-0893	1	Grass Bag ASM

Engine and Blade Assembly



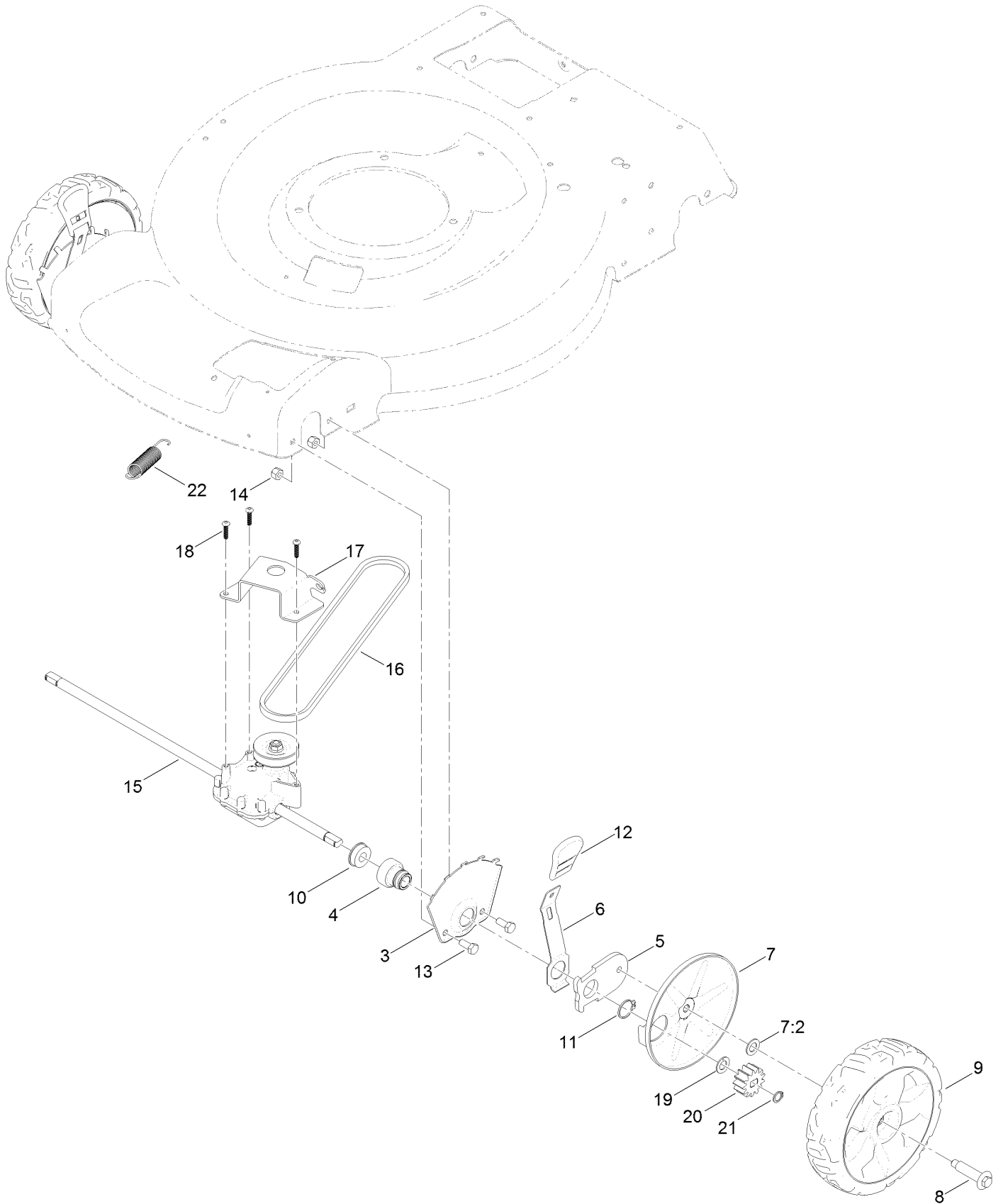
Engine and Blade Assembly (continued)

<i>Ref.</i>	<i>Part Number</i>	<i>Qty.</i>	<i>Description</i>	<i>Ref.</i>	<i>Part Number</i>	<i>Qty.</i>	<i>Description</i>
1		1	Engine-Briggs, 104M020010F1 ●■	11	130-6702-03	1	Guide-Belt
5	106-3999	1	Spacer-Driver	12	95-1726	3	Screw-Taptite
6	130-6705	1	Driver-Blade	13	130-6709	1	Cover-Belt, Rear
7	131-4547-03	1	Blade-22 Inch	14	46-8091	2	Screw-HWH
8	108-3766-03	1	Support-Blade	20	131-4518	1	Decal-Shroud, Briggs
10	125-2466	1	Bolt-Blade	21	117-2718	1	Decal-Arrester, Spark

● Not serviced separately

■ Obtain parts from www.briggsandstratton.com

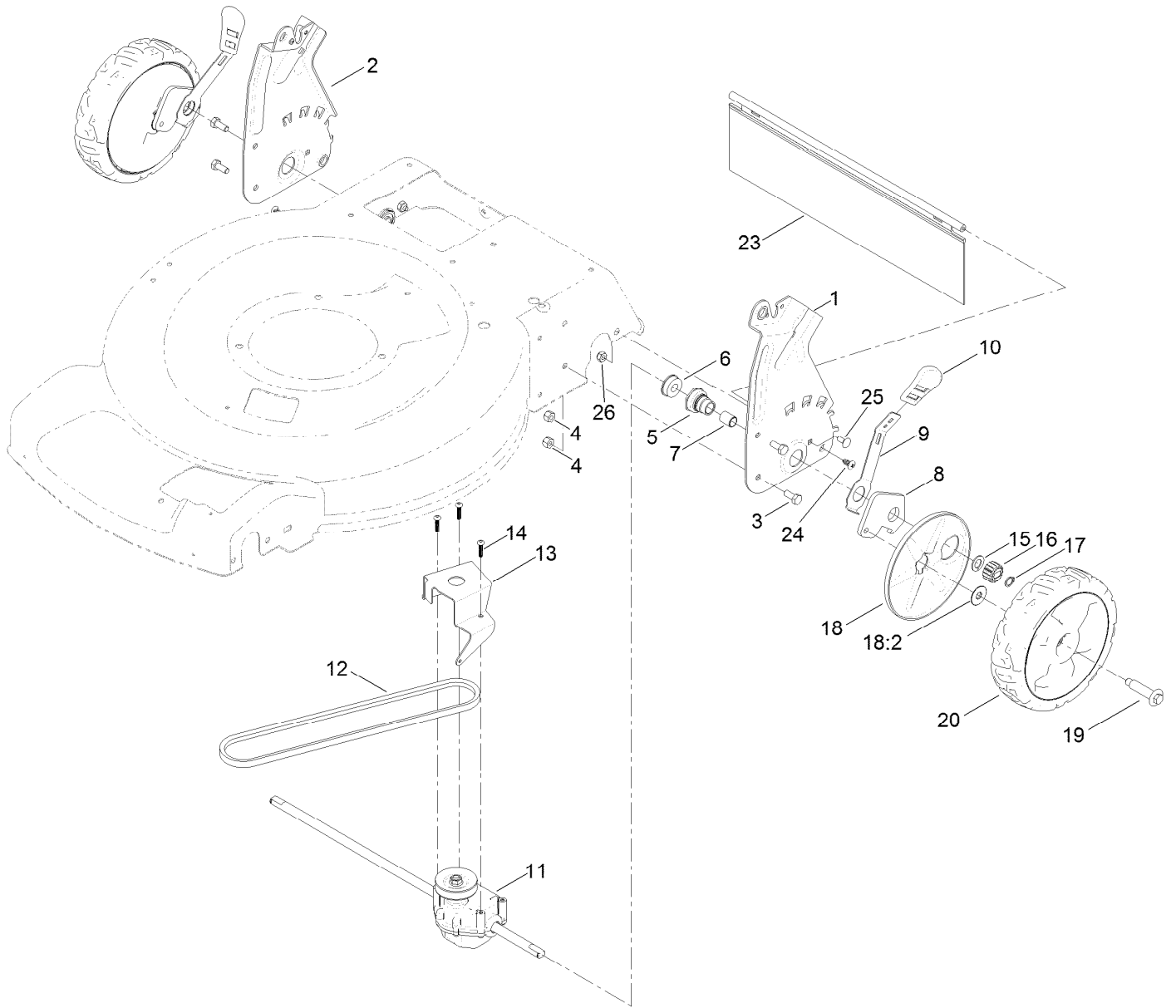
Transmission and Front Wheel Drive Assembly



Transmission and Front Wheel Drive Assembly (continued)

<i>Ref.</i>	<i>Part Number</i>	<i>Qty.</i>	<i>Description</i>	<i>Ref.</i>	<i>Part Number</i>	<i>Qty.</i>	<i>Description</i>
3	115-1956-03	2	Plate-HOC, Front	13	322-3	4	Screw-HH
4	131-0836	2	Retainer-Bearing, HOC	14	3296-29	4	Nut-Lock, NI
5	105-1807	2	Arm-Pivot, Front	15	121-9180	1	Transmission ASM
6	105-1809	2	Arm-Spring	16	71-9450	1	V-Belt
7	131-4513	2	Wheel Cover ASM	17	114-7978-03	1	Bracket-Transmission
7:2	614426	1	Washer-Stepped	18	108-7476	3	Screw-Plastite
8	614650	2	Bolt-Shoulder	19	110-7191	2	Washer-Thrust
9	130-6711	2	8 Inch Wheel ASM (Front)	20	131-0896	2	Gear-Pinion, 13T
10	104-8699	2	Bearing-Ball	21	32151-61	2	Ring-Retaining
11	32151-36	2	Ring-Retaining	22	131-4560	1	Spring-Extension
12	110-0549	2	Knob-HOC				

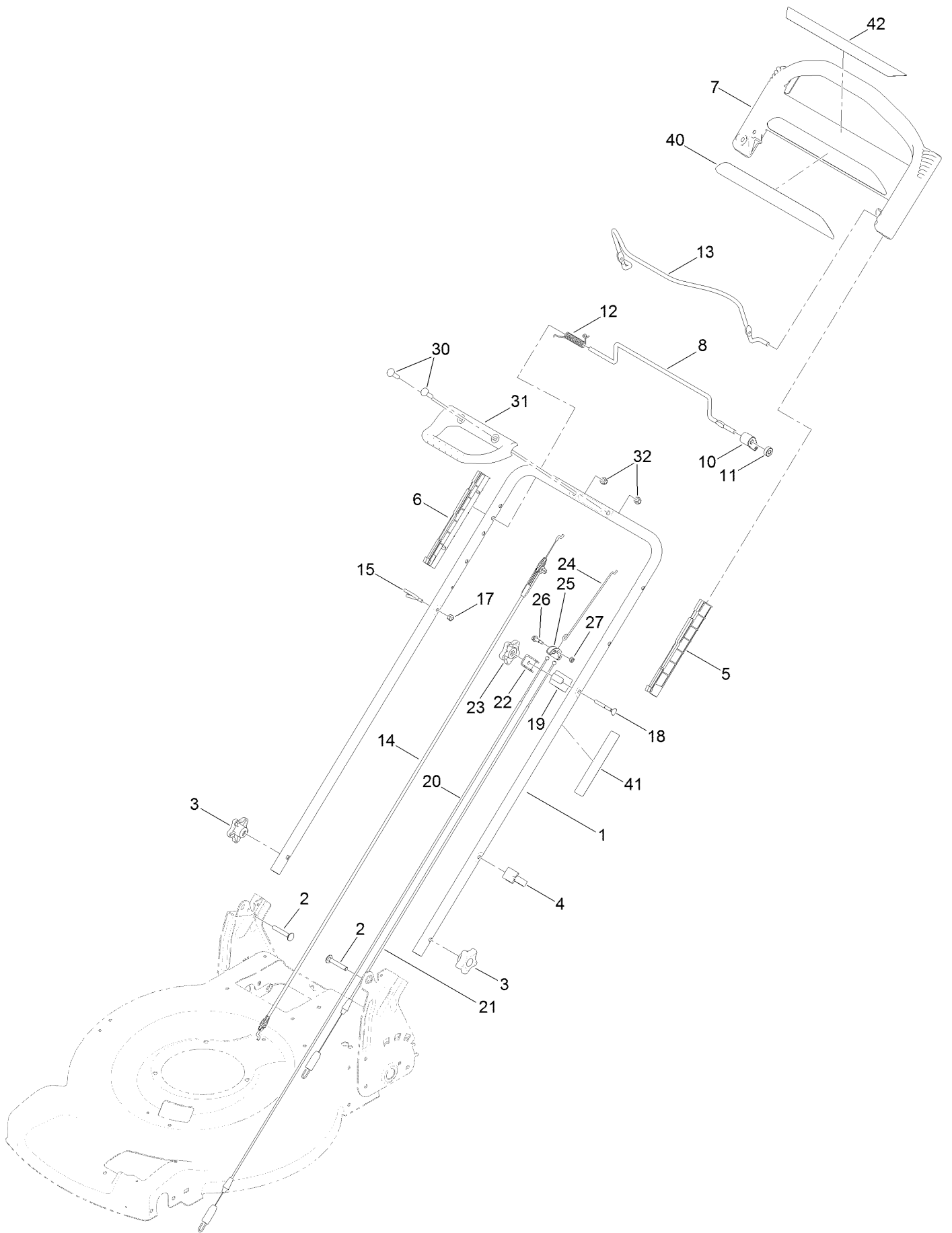
Height-of-Cut and Rear Wheel Assembly



Height-of-Cut and Rear Wheel Assembly (continued)

<i>Ref.</i>	<i>Part Number</i>	<i>Qty.</i>	<i>Description</i>	<i>Ref.</i>	<i>Part Number</i>	<i>Qty.</i>	<i>Description</i>
1	127-6877-03	1	Plate-Rear, LH (HOC)	14	108-7476	3	Screw-Plastite
2	127-6878-03	1	Plate-Rear, RH (HOC)	15	110-7191	2	Washer-Thrust
3	322-3	4	Screw-HH	16	131-0875	2	Gear-Pinion, 15T
4	3296-29	4	Nut-Lock, NI	17	32151-61	2	Ring-Retaining
5	108-9779	2	Retainer-Bushing, HOC	18	131-4513	2	Wheel Cover ASM
6	104-8699	2	Bearing-Ball	18:2	614426	1	Washer-Stepped
7	108-9782	2	Bushing-Sleeve	19	614650	2	Bolt-Shoulder
8	108-9781	2	Arm-Pivot, Rear	20	130-6714	2	8 Inch Wheel Gear ASM
9	108-9780	2	Arm-Spring	23	120-7012	1	Shield-Trailing
10	110-0549	2	Knob-HOC	24	117-1092	2	Screw-PTH
11	121-9178	1	Transmission ASM	25	3229-11	2	Screw-CARR
12	115-4669	1	Belt-V	26	3296-16	2	Nut-Lock, NI
13	114-7977-03	1	Bracket-Transmission				

Handle Assembly



Handle Assembly (continued)

<i>Ref.</i>	<i>Part Number</i>	<i>Qty.</i>	<i>Description</i>	<i>Ref.</i>	<i>Part Number</i>	<i>Qty.</i>	<i>Description</i>
1	130-6715-05	1	Handle	19	130-6716	1	Mount-Cable, Traction
2	3230-6	2	Screw-CARR	20	130-6717	1	Cable-Traction, Front
3	117-5976	2	Knob-Handle	21	130-6718	1	Cable-Traction, Rear
4	114-7988	1	Guide-Cable	22	130-6704	1	Clamp-Cable
5	105-6842	1	Guide-LH	23	131-0897	1	Knob-Handle, Locking
6	105-6841	1	Guide-RH	24	131-4559	1	Linkage-Equalizer
7	104-8678	1	Handle-Control	25	130-6719	1	Yoke-Cable
8	99-1588	1	Bar-Control, Traction	26	132-4519	1	Screw-Shoulder
10	127-6842	1	Lever-Traction	27	3296-2	1	Nut-Lock, NI
11	130-2343	1	Spacer	30	99-6005	2	Bolt-Carriage
12	121-9118	1	Spring-Torsion	31	131-0847	1	Handle-Assist, Traction
13	131-0880-03	1	Bail-Brake	32	131-4535	2	Nut-Acorn
14	115-8437	1	Cable-Brake	40	131-4519	1	Decal
15	86-9671	1	Guide-Rope	41	132-4470	1	Decal-Traction, Adjust
17	3296-73	1	Nut-Lock, NI	42	121-2399	1	Decal-Assist, Traction
18	92-2269	1	Screw-Handle				

Attachments and Accessories

For 20353 22in Recycler Lawn Mower

Product Name	Model/Part
Fuel Stabilizer .05 oz	130-2393
Briggs Maint Kit.....	130-8148
AWD Replacement Bag and Frame Kit	131-4556
Traction Assist Handle Kit.....	131-4590
Lawn Striping Kit with 22in Roller.....	20601
Lawnmower Cover.....	490-7462
22 Inch Atomic Blade	59534P

Notes:

Notes:

Notes:



Count on it.