



Count on it.

Parts Catalog

22in Recycler®

Lawn Mower with SmartStow®

Model No. 20340—Serial No. 40000000 and Up



Ordering Replacement Parts

To order replacement parts, please supply the part number, the quantity, and the description of each part desired.

Understanding Reference Numbers

Each identified part in an illustration has a reference number. The reference number for a part also appears in the parts list, along with other information about the part.

This catalog uses two special reference number formats, one to indicate parts in a service assembly and another to indicate the quantity of a given part in an illustration.

Service Assembly Reference Numbers

Parts in service assemblies have reference numbers in the form a:b. The a represents the reference number of the entire service assembly and the b represents a sequential number unique to each part within the service assembly.

For example, a wheel assembly might be identified by reference number 6, the tire by 6:1, the valve by 6:2, and the wheel by 6:3. When you order the assembly identified by reference number 6, you receive all parts identified by reference numbers 6:1, 6:2, and 6:3. However, you may also order any part individually. Reference numbers of this type appear in illustration and in parts lists.

Reference Numbers Indicating Quantity

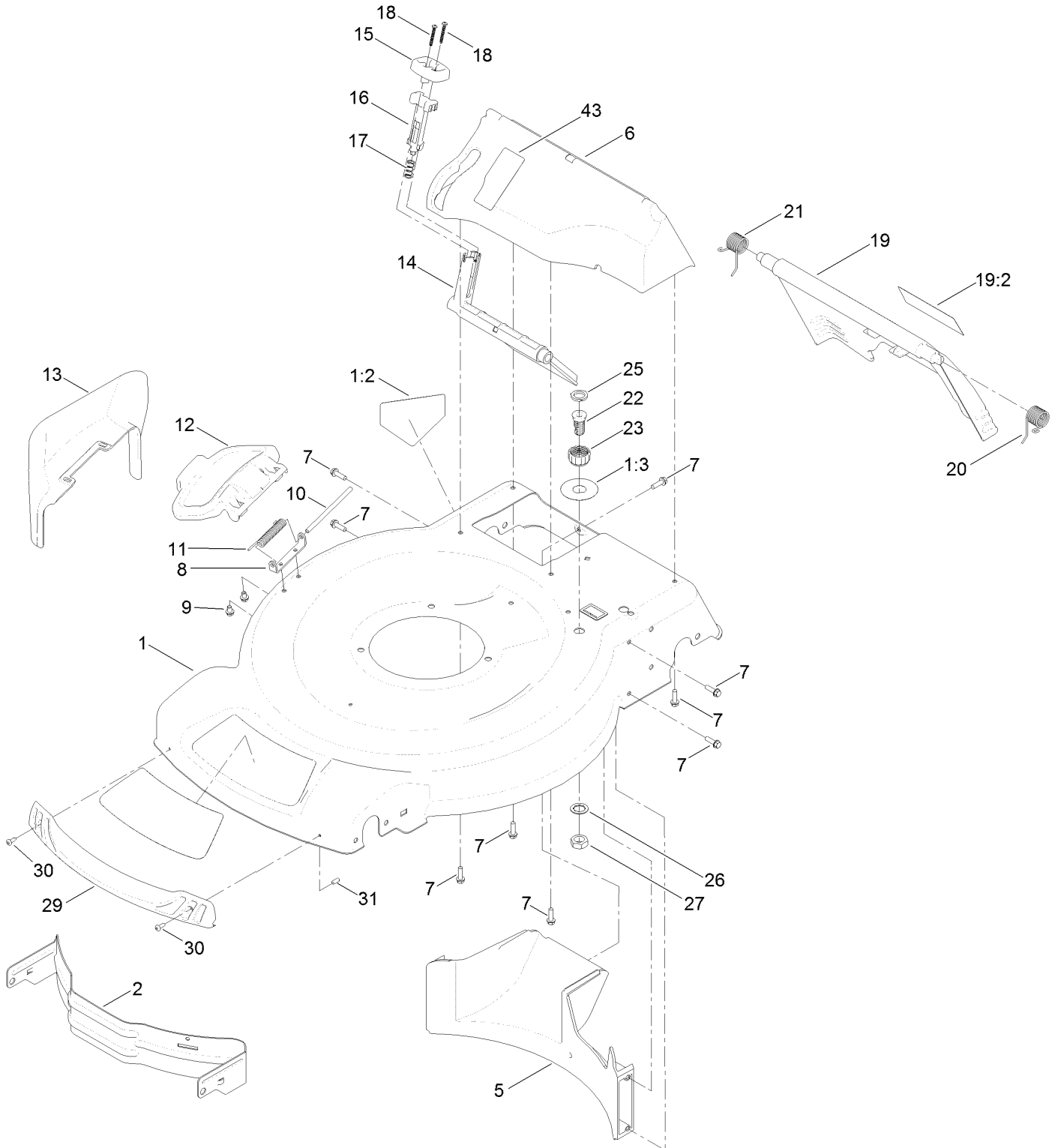
In an illustration, if a reference number indicates more than one part, the reference number has the form nX y. The n represents the quantity of the part, the X is the multiplication symbol, and the y represents the reference number.

For example, in an illustration, the reference number 2X 37 means that two of the parts identified by reference number 37 are indicated.

Contents

Housing Assembly	4
Rear Bag Assembly	6
Engine and Blade Assembly	8
Front Wheel and Height-of-Cut Assembly	10
Rear Wheel and Height-of-Cut Assembly	12
Handle and Control Assembly	14
Attachments and Accessories	16

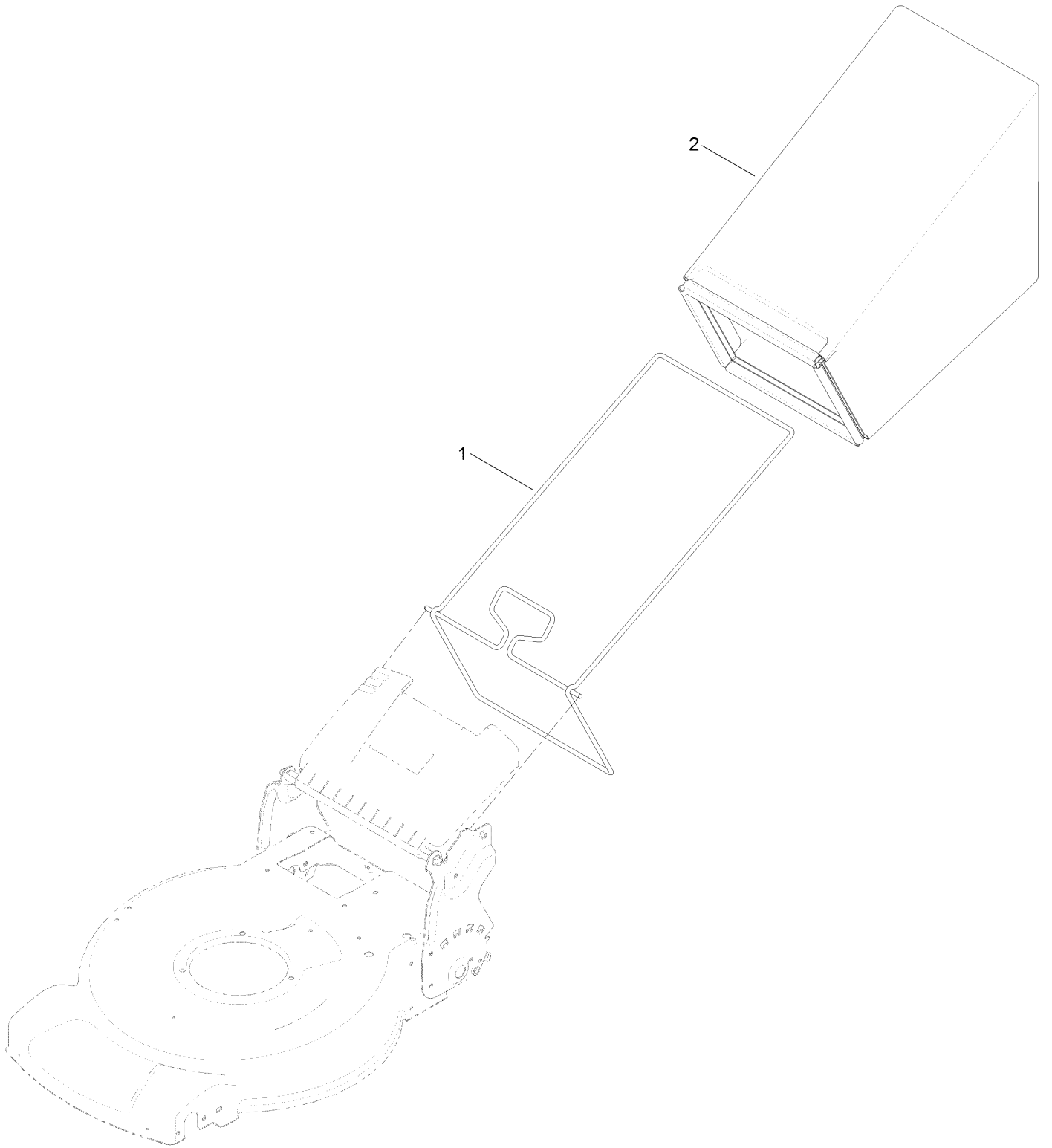
Housing Assembly



Housing Assembly (continued)

<i>Ref.</i>	<i>Part Number</i>	<i>Qty.</i>	<i>Description</i>	<i>Ref.</i>	<i>Part Number</i>	<i>Qty.</i>	<i>Description</i>
1	132-4510	1	Housing ASM	17	117-1031	1	Spring-Compression
1:2	94-8072	1	Decal-Danger	18	32104-120	2	Screw-PPH
1:3	112-8867	1	Decal-Port, Washout	19	121-5776	1	Rear Door ASM
2	114-7963-01	1	Baffle-Front	19:2	131-4514	1	Decal-Warning
5	114-7961	1	Baffle-Rear	20	115-2859	1	Spring-Torsion
6	132-4501	1	Chute-Recycle	21	114-7924	1	Spring-Torsion
7	46-8091	9	Screw-HWH	22	112-6400	1	Port-Washout
8	112-6416	1	Bracket-Cover	23	112-6401	1	Coupling-Hose, Washout Port
9	99-8445	2	Screw-HWH	25	112-6438	1	Washer-Seal, Washout Port
10	99-5291	1	Rod-Cover	26	3254-5	1	Washer-Tooth, Internal
11	99-5293	1	Spring-Torsion	27	3218-6	1	Nut-Jam
12	115-8449	1	Deflector-Side	29	114-7987	1	Bumper
13	115-8447	1	Chute-Discharge, Side	30	105-6849	2	Screw-Forming, Thread
14	114-7960	1	Deflector-Recycle	31	130-6660	2	Cap-Plug
15	114-7958	1	Knob-Recycle	43	125-5026	1	Decal
16	114-7959	1	Latch-Recycle				

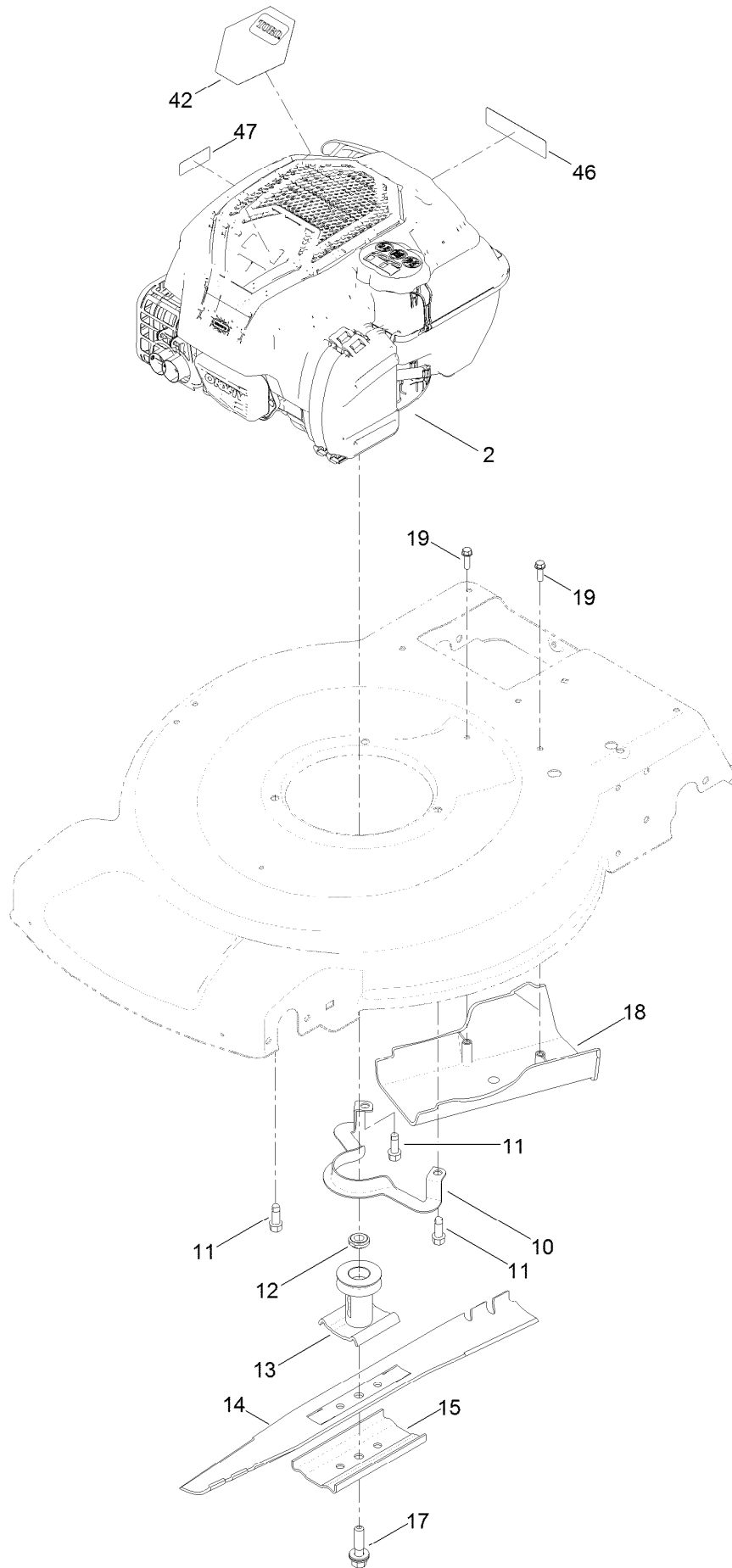
Rear Bag Assembly



Rear Bag Assembly (continued)

<i>Ref.</i>	<i>Part Number</i>	<i>Qty.</i>	<i>Description</i>
1	132-4529-03	1	Bag Frame ASM
2	115-4673	1	Grass Bag ASM

Engine and Blade Assembly



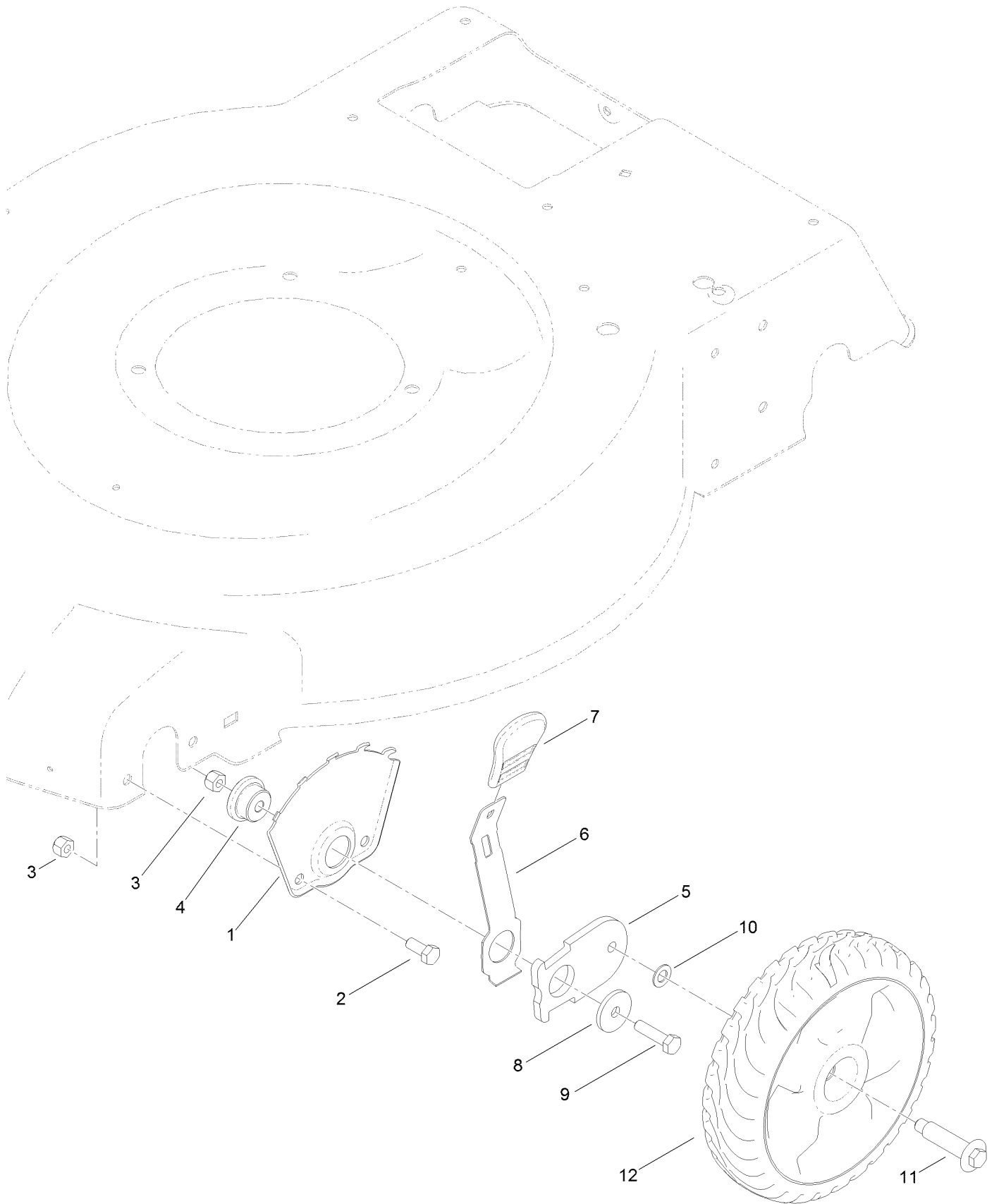
Engine and Blade Assembly (continued)

<i>Ref.</i>	<i>Part Number</i>	<i>Qty.</i>	<i>Description</i>	<i>Ref.</i>	<i>Part Number</i>	<i>Qty.</i>	<i>Description</i>
2		1	Engine-Briggs, 104M020131F1 ●■	15	108-3766-03	1	Support-Blade
10	105-3030-03	1	Guide-Belt	17	125-2466	1	Bolt-Blade
11	95-1726	3	Screw-Taptite	18	114-7937	1	Cover-Belt
12	106-3999	1	Spacer-Driver	19	46-8091	2	Screw-HWH
13	106-3987	1	Driver-Blade	42	133-8105	1	Decal-Shroud
14	131-4547-03	1	Blade-22 Inch	46	117-2718	1	Decal-Arrester, Spark
				47	133-8198	1	Decal-Fuel Level

● Not serviced separately

■ Obtain parts from www.briggsandstratton.com

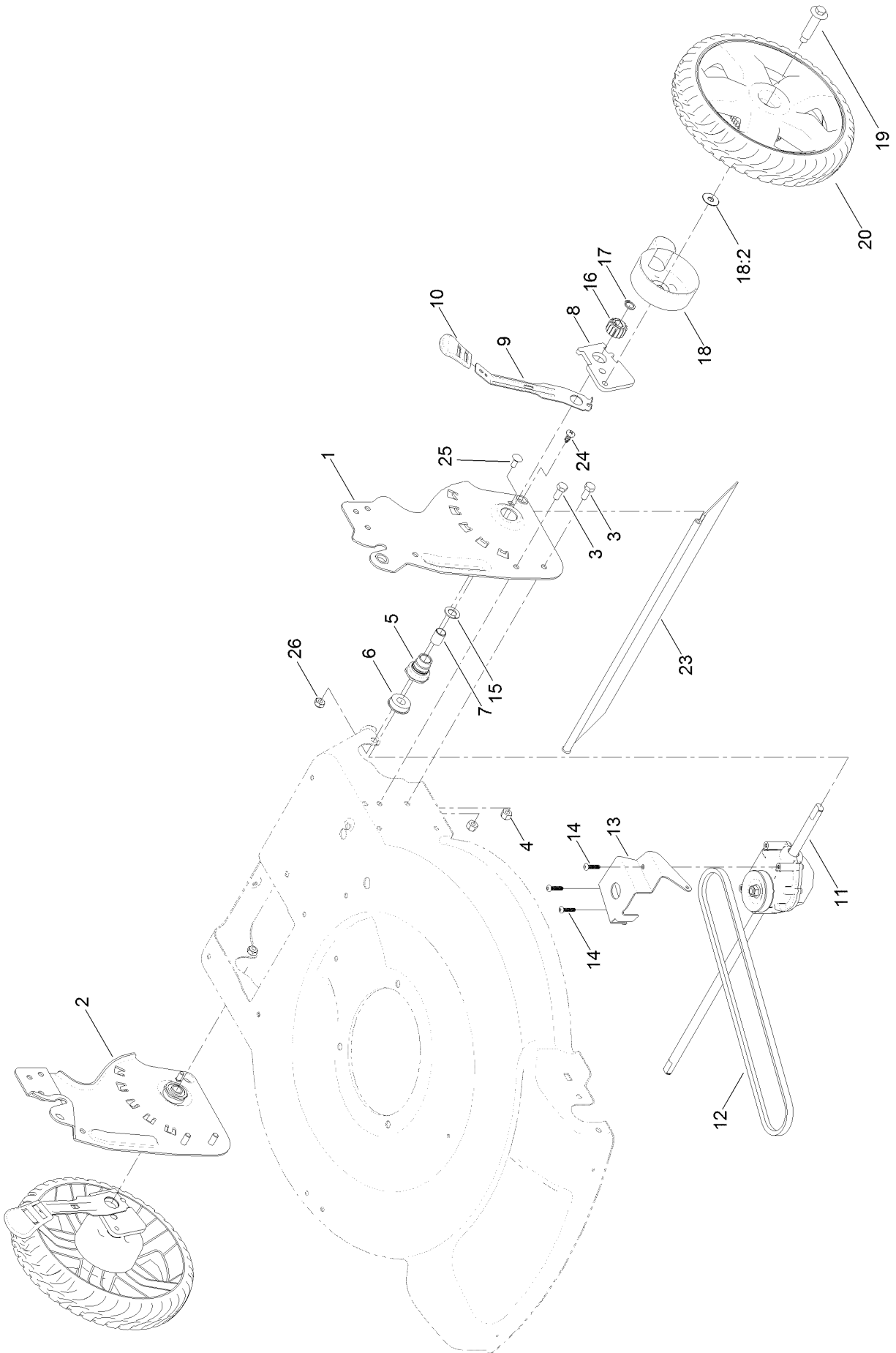
Front Wheel and Height-of-Cut Assembly



Front Wheel and Height-of-Cut Assembly (continued)

<i>Ref.</i>	<i>Part Number</i>	<i>Qty.</i>	<i>Description</i>	<i>Ref.</i>	<i>Part Number</i>	<i>Qty.</i>	<i>Description</i>
1	115-1956-03	2	Plate-HOC, Front	7	110-0549	2	Knob-HOC
2	322-3	4	Screw-HH	8	105-3048	2	Washer-Flat
3	3296-29	6	Nut-Lock, NI	9	322-6	2	Screw-HH
4	105-1818	2	Bushing-Mount, HOC	10	40-1940	2	Washer
5	105-1807	2	Arm-Pivot, Front	11	614650	2	Bolt-Shoulder
6	105-1809	2	Arm-Spring	12	115-2894	2	8 Inch Wheel ASM

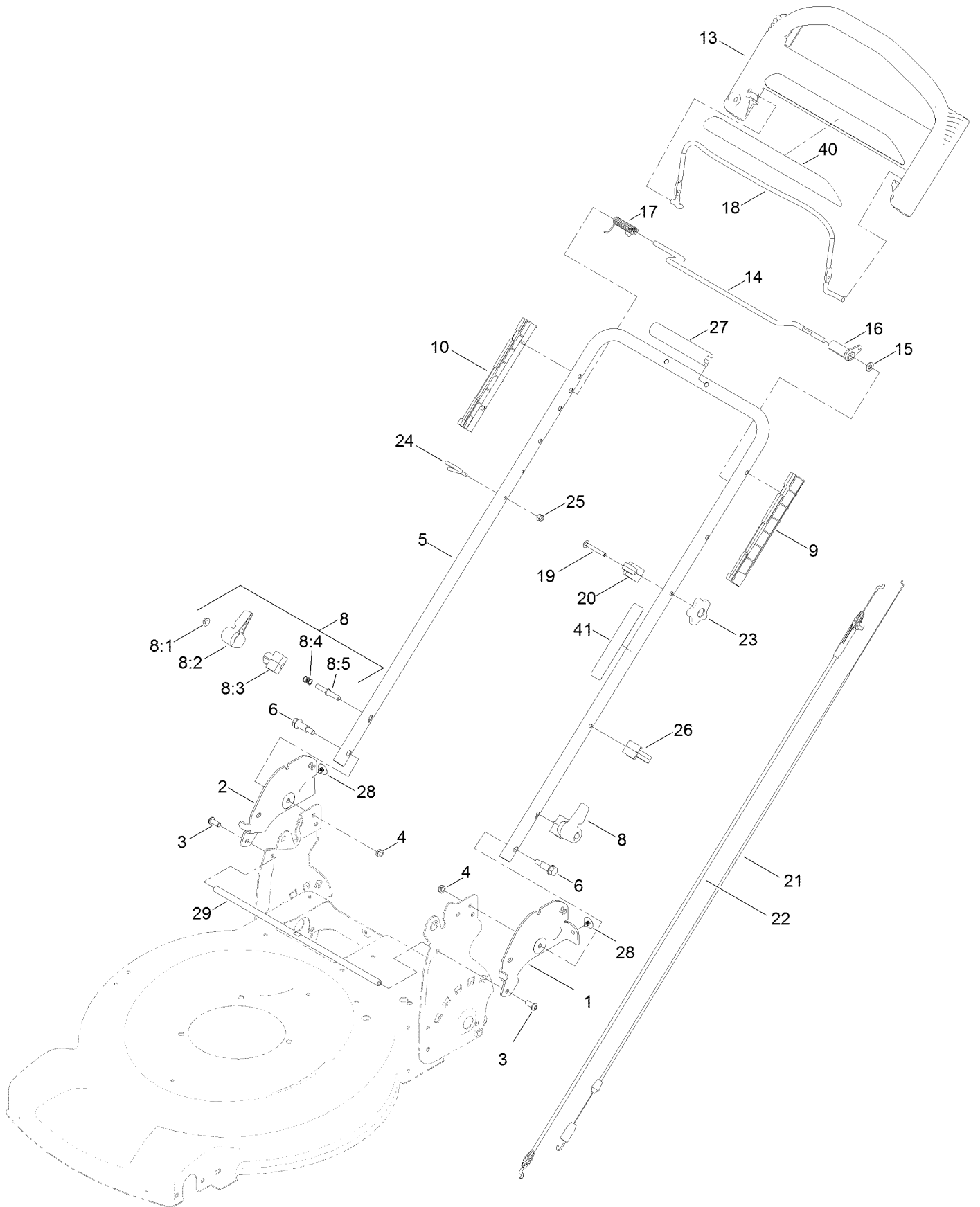
Rear Wheel and Height-of-Cut Assembly



Rear Wheel and Height-of-Cut Assembly (continued)

<i>Ref.</i>	<i>Part Number</i>	<i>Qty.</i>	<i>Description</i>	<i>Ref.</i>	<i>Part Number</i>	<i>Qty.</i>	<i>Description</i>
1	136-5887-03	1	Plate-HOC, Rwd (LH)	14	108-7476	3	Screw-Plastite
2	136-5888-03	1	Plate-HOC, Rwd (RH)	15	110-7191	2	Washer-Thrust
3	322-3	4	Screw-HH	16	131-5399	2	Gear-Pinion, 15T
4	3296-29	4	Nut-Lock, NI	17	32151-61	2	Ring-Retaining
5	108-9779	2	Retainer-Bushing, HOC	18	132-4480	2	Cover-Gear
6	104-8699	2	Bearing-Ball	18:2	614426	1	Washer-Stepped
7	108-9782	2	Bushing-Sleeve	19	614650	2	Bolt-Shoulder
8	132-4459	2	Arm-Pivot, Rear	20	132-4458	2	11 Inch Wheel And Gear ASM
9	132-4486	2	Arm-Spring	23	120-7012	1	Shield-Trailing
10	110-0549	2	Knob-HOC	24	117-1092	2	Screw-PTH
11	131-9696	1	Transmission	25	3229-11	2	Screw-CARR
12	91-2258	1	Belt-V	26	3296-16	2	Nut-Lock, NI
13	132-4481-01	1	Bracket-Transmission				

Handle and Control Assembly



Handle and Control Assembly (continued)

<i>Ref.</i>	<i>Part Number</i>	<i>Qty.</i>	<i>Description</i>	<i>Ref.</i>	<i>Part Number</i>	<i>Qty.</i>	<i>Description</i>
1	132-4453-03	1	Plate-Handle, LH	16	99-1589	1	Lever-Traction
2	132-4454-03	1	Plate-Handle, RH	17	121-9118	1	Spring-Torsion
3	3274-55	2	Screw-HSBH	18	131-0880-03	1	Bail-Brake
4	3296-47	2	Nut-Lock, NI	19	136-7081	1	Screw-CARR
5	132-4471-05	1	Handle	20	136-5864	1	Anchor-Cable
6	130-2344	2	Bolt-Shoulder	21	115-8435	1	Cable-Traction
8	115-2860	2	Quick Release ASM	22	115-8437	1	Cable-Brake
8:1	109-0917	1	Nut-Push	23	131-0897	1	Knob-Handle, Locking
8:2	114-7995	1	Lever	24	86-9671	1	Guide-Rope
8:3	114-7996	1	Anchor-Spring	25	3296-73	1	Nut-Lock, NI
8:4	115-2858	1	Spring-Compression	26	114-7988	1	Guide-Cable
8:5	114-2675	1	Rod-Release	27	131-4551	1	Handle-Cover
9	105-6842	1	Guide-LH	28	130-6721	2	Clip-Tree
10	105-6841	1	Guide-RH	29	133-1980-03	1	Rod-Stiffener
13	104-8678	1	Handle-Control	40	132-4513	1	Decal
14	99-1588	1	Bar-Control, Traction	41	132-4470	1	Decal-Traction, Adjust
15	3256-23	1	Washer-Plain				

Attachments and Accessories

For 20340 22in Recycler Lawn Mower with SmartStow

Product Name	Model/Part
Fuel Stabilizer .05 oz	130-2393
Briggs Maint Kit.....	130-8148
Traction Assist Handle Kit.....	131-4590
Lawn Striping Kit with 22in Roller.....	20601
Lawnmower Cover.....	490-7462
22 Inch Atomic Blade.....	59534P

Notes:

Notes:

Notes:



Count on it.