



**Count on it.**

**Parts Catalog**

**22in Recycler®**

**Lawn Mower with SmartStow®**

Model No. 20340—Serial No. 316000001 and Up



# Ordering Replacement Parts

To order replacement parts, please supply the part number, the quantity, and the description of each part desired.

## Understanding Reference Numbers

Each identified part in an illustration has a reference number. The reference number for a part also appears in the parts list, along with other information about the part.

This catalog uses two special reference number formats, one to indicate parts in a service assembly and another to indicate the quantity of a given part in an illustration.

## Service Assembly Reference Numbers

Parts in service assemblies have reference numbers in the form a:b. The a represents the reference number of the entire service assembly and the b represents a sequential number unique to each part within the service assembly.

For example, a wheel assembly might be identified by reference number 6, the tire by 6:1, the valve by 6:2, and the wheel by 6:3. When you order the assembly identified by reference number 6, you receive all parts identified by reference numbers 6:1, 6:2, and 6:3. However, you may also order any part individually. Reference numbers of this type appear in illustration and in parts lists.

## Reference Numbers Indicating Quantity

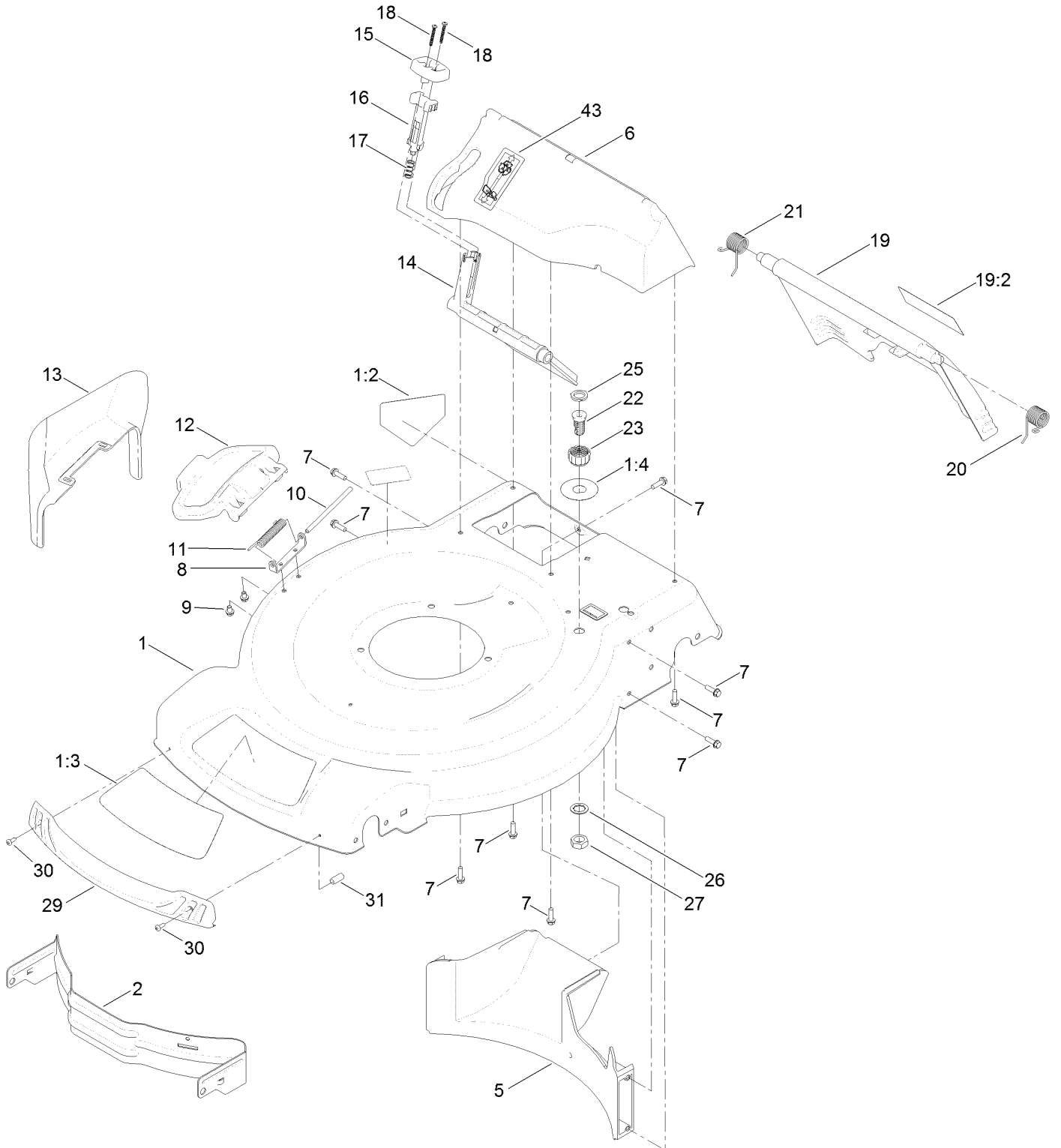
In an illustration, if a reference number indicates more than one part, the reference number has the form nX y. The n represents the quantity of the part, the X is the multiplication symbol, and the y represents the reference number.

For example, in an illustration, the reference number 2X 37 means that two of the parts identified by reference number 37 are indicated.

# Contents

Housing Assembly .....	4
Rear Bag Assembly .....	6
Engine and Blade Assembly .....	8
Front Wheel and Height-of-Cut Assembly .....	10
Rear Wheel and Height-of-Cut Assembly .....	12
Handle and Control Assembly .....	14
Attachments and Accessories .....	16

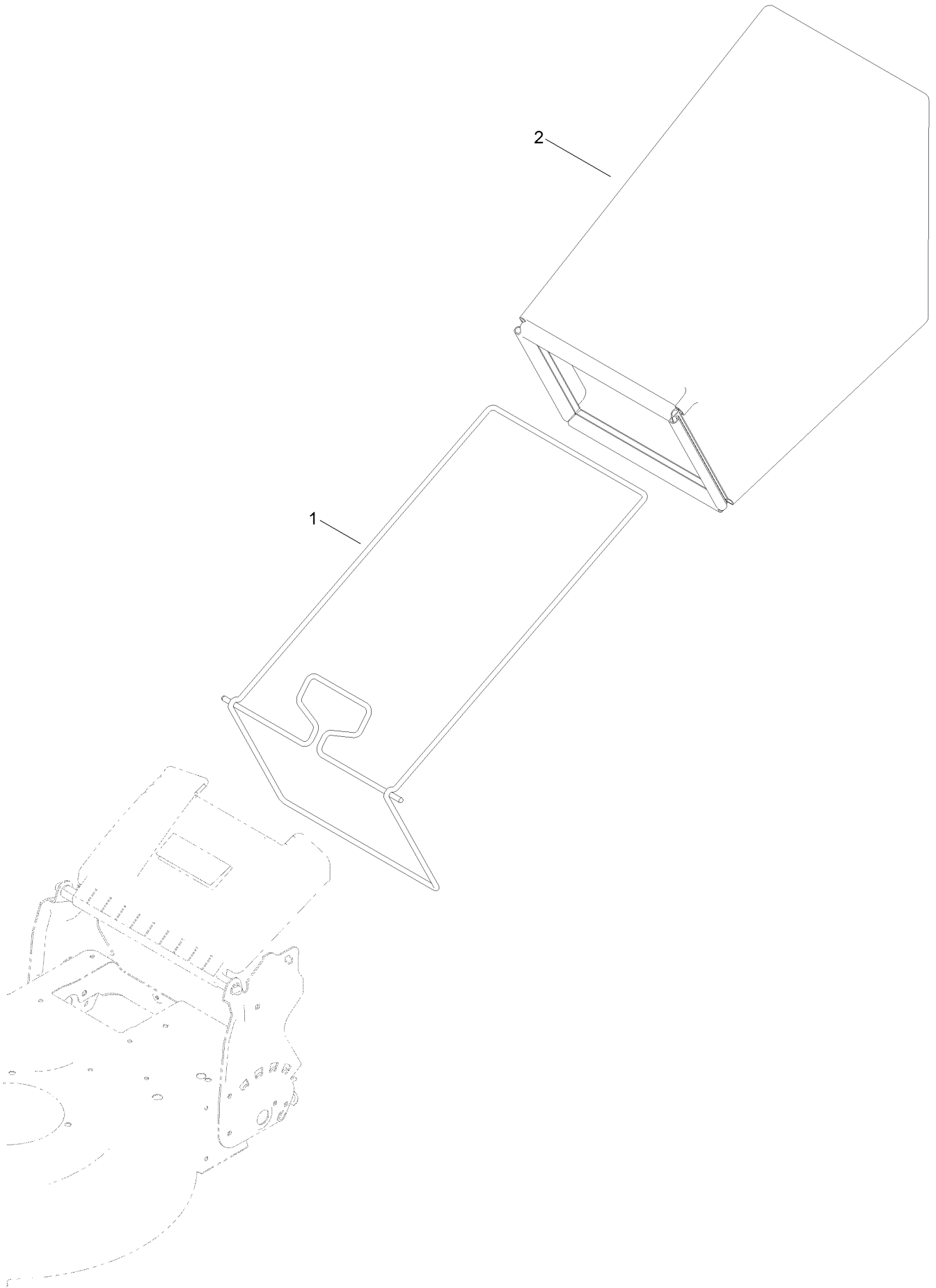
# Housing Assembly



## Housing Assembly (continued)

<i>Ref.</i>	<i>Part Number</i>	<i>Qty.</i>	<i>Description</i>	<i>Ref.</i>	<i>Part Number</i>	<i>Qty.</i>	<i>Description</i>
1	132-4510	1	Housing ASM	17	117-1031	1	Spring-Compression
1:2	94-8072	1	Decal-Danger	18	32104-120	2	Screw-PPH
1:3	132-4511	1	Decal-Deck	19	121-5776	1	Rear Door ASM
1:4	112-8867	1	Decal-Port, Washout	19:2	131-4514	1	Decal-Warning
2	114-7963-01	1	Baffle-Front	20	115-2859	1	Spring-Torsion
5	114-7961	1	Baffle-Rear	21	114-7924	1	Spring-Torsion
6	132-4501	1	Chute-Recycle	22	112-6400	1	Port-Washout
7	46-8091	9	Screw-HWH	23	112-6401	1	Coupling-Hose, Washout Port
8	112-6416	1	Bracket-Cover	25	112-6438	1	Washer-Seal, Washout Port
9	99-8445	2	Screw-HWH	26	3254-5	1	Washer-Tooth, Internal
10	99-5291	1	Rod-Cover	27	3218-6	1	Nut-Jam
11	99-5293	1	Spring-Torsion	29	114-7987	1	Bumper
12	115-8449	1	Deflector-Side	30	105-6849	2	Screw-Forming, Thread
13	115-8447	1	Chute-Discharge, Side	31	130-6660	2	Cap-Plug
14	114-7960	1	Deflector-Recycle	43	125-5026	1	Decal
15	114-7958	1	Knob-Recycle				
16	114-7959	1	Latch-Recycle				

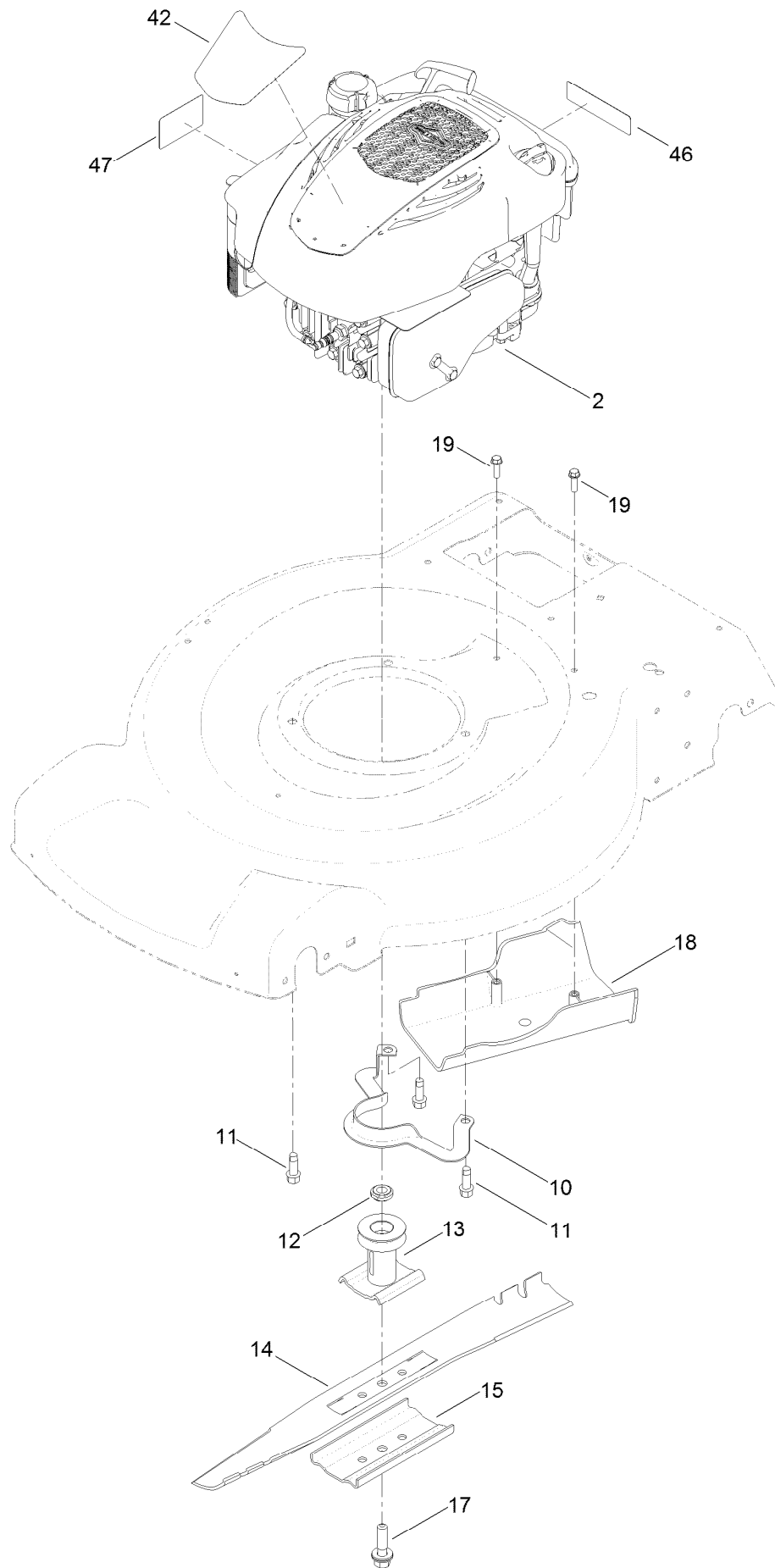
# Rear Bag Assembly



## Rear Bag Assembly (continued)

<i>Ref.</i>	<i>Part Number</i>	<i>Qty.</i>	<i>Description</i>
1	132-4503-03	1	Frame-Bag
2	115-4673	1	Grass Bag ASM

# Engine and Blade Assembly





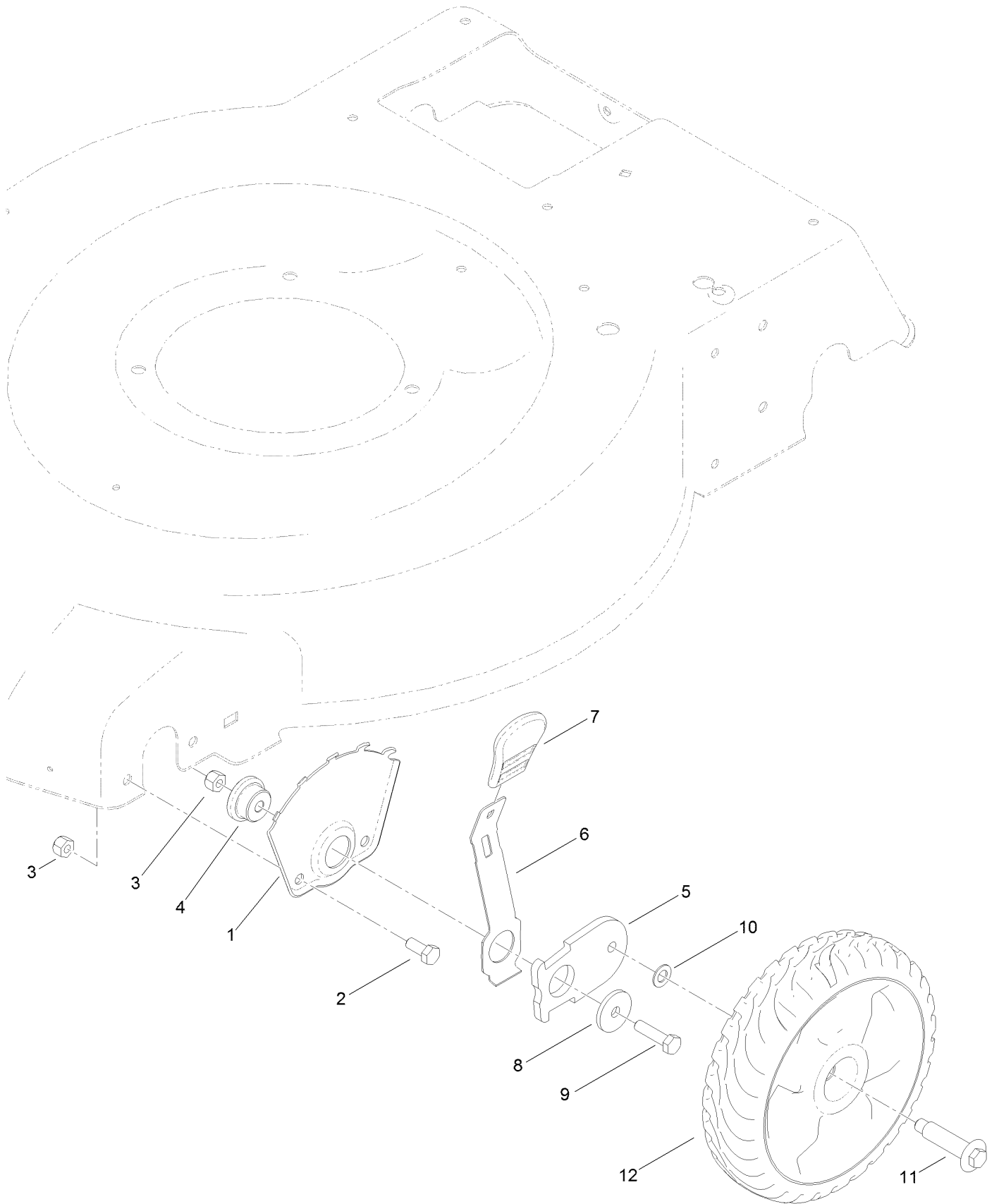
## Engine and Blade Assembly (continued)

<i>Ref.</i>	<i>Part Number</i>	<i>Qty.</i>	<i>Description</i>	<i>Ref.</i>	<i>Part Number</i>	<i>Qty.</i>	<i>Description</i>
2		1	Engine-Briggs, 104M020131F1 ●■	15	108-3766-03	1	Support-Blade
				17	125-2466	1	Bolt-Blade
10	105-3030-03	1	Guide-Belt	18	114-7937	1	Cover-Belt
11	95-1726	3	Screw-Taptite	19	46-8091	2	Screw-HWH
12	106-3999	1	Spacer-Driver	42	130-2397	1	Decal-Shroud
13	106-3987	1	Driver-Blade	46	117-2718	1	Decal-Arrester, Spark
14	131-4547-03	1	Blade-22 Inch	47	130-6662	1	Decal-Fuel Level

● Not serviced separately

■ Obtain parts from [www.briggsandstratton.com](http://www.briggsandstratton.com)

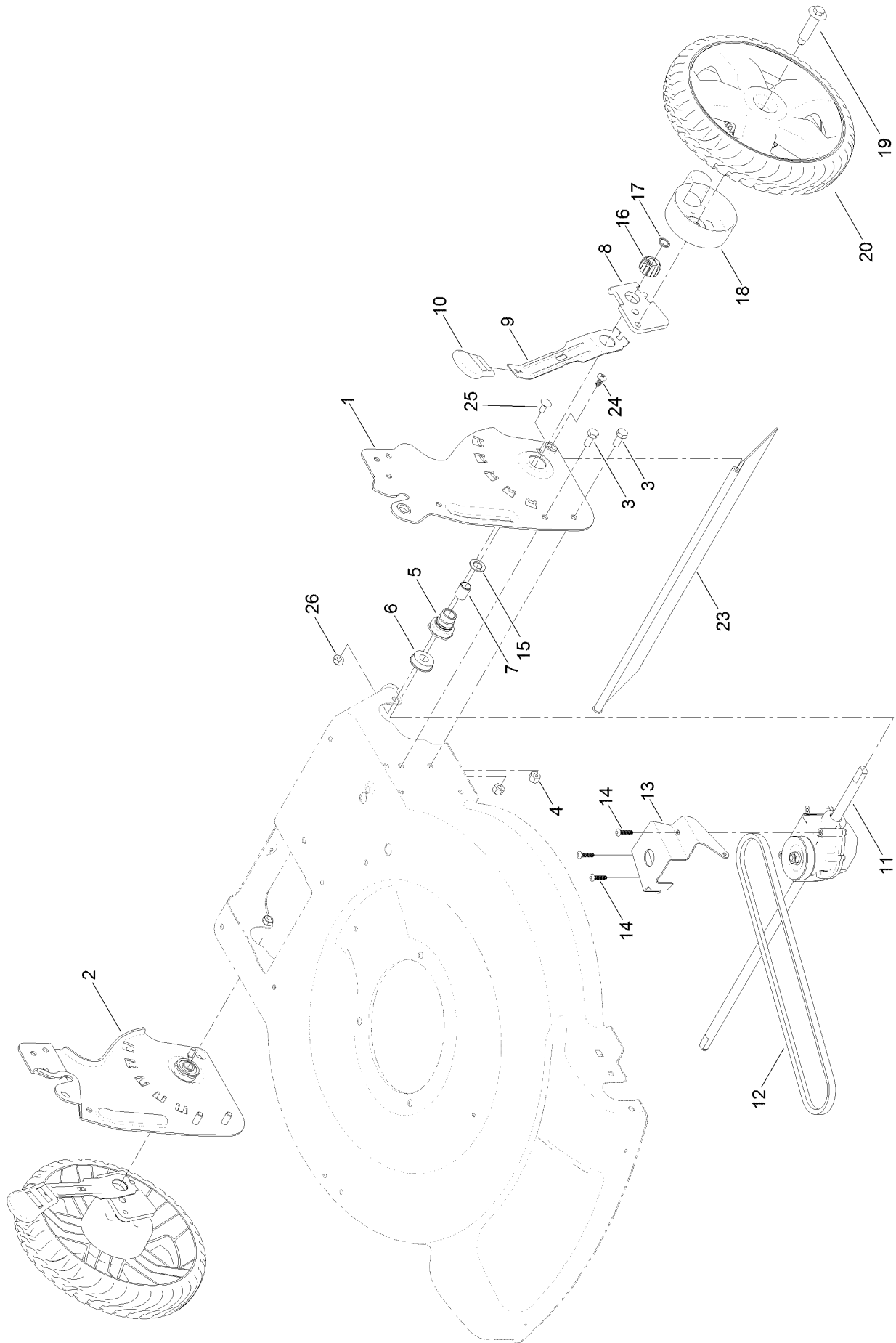
# Front Wheel and Height-of-Cut Assembly



## Front Wheel and Height-of-Cut Assembly (continued)

<i>Ref.</i>	<i>Part Number</i>	<i>Qty.</i>	<i>Description</i>	<i>Ref.</i>	<i>Part Number</i>	<i>Qty.</i>	<i>Description</i>
1	115-1956-03	2	Plate-HOC, Front	7	110-0549	2	Knob-HOC
2	322-3	4	Screw-HH	8	105-3048	2	Washer-Flat
3	3296-29	6	Nut-Lock, NI	9	322-6	2	Screw-HH
4	105-1818	2	Bushing-Mount, HOC	10	40-1940	2	Washer
5	105-1807	2	Arm-Pivot, Front	11	614650	2	Bolt-Shoulder
6	105-1809	2	Arm-Spring	12	115-2894	2	8 Inch Wheel ASM

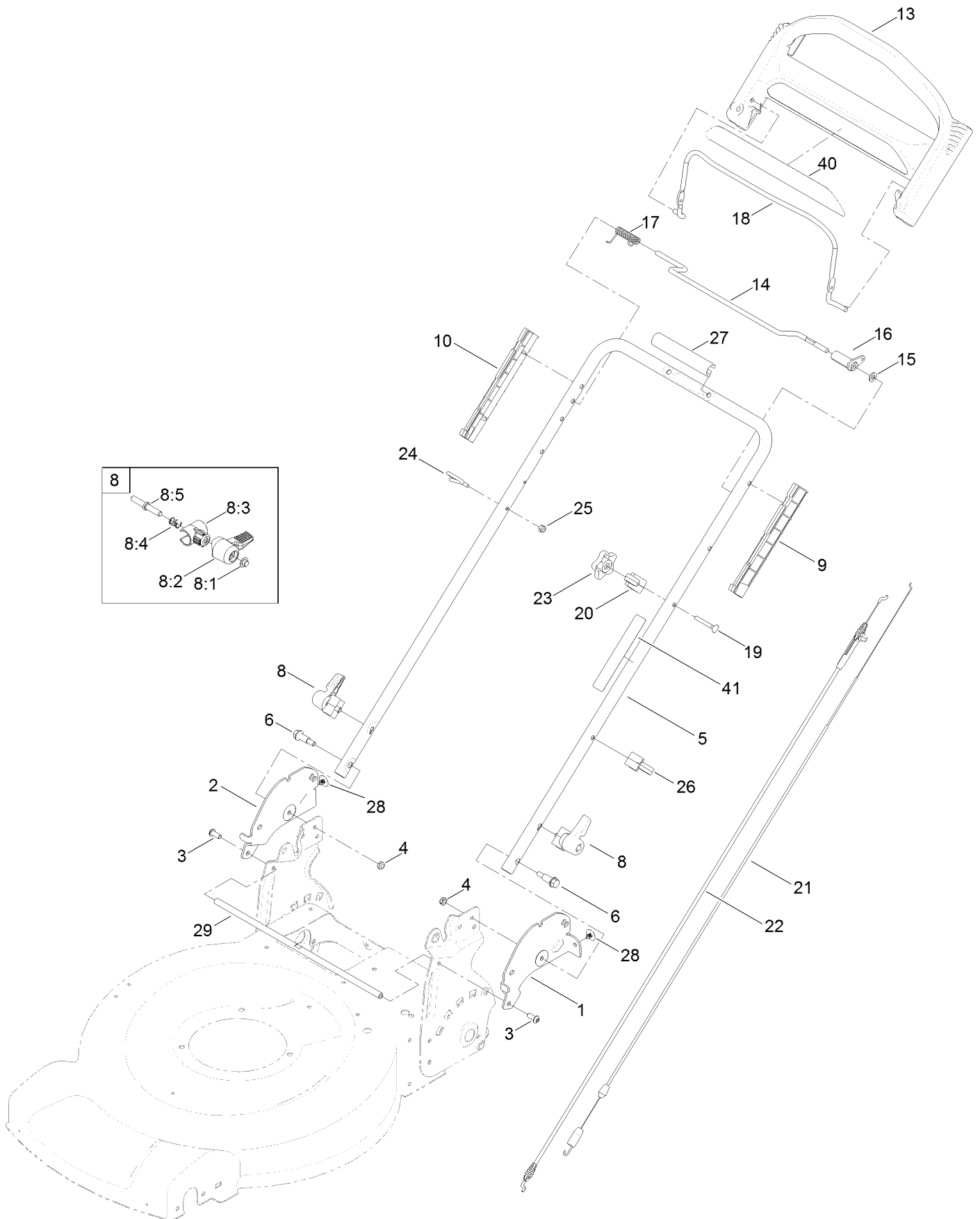
# Rear Wheel and Height-of-Cut Assembly



## Rear Wheel and Height-of-Cut Assembly (continued)

<i>Ref.</i>	<i>Part Number</i>	<i>Qty.</i>	<i>Description</i>	<i>Ref.</i>	<i>Part Number</i>	<i>Qty.</i>	<i>Description</i>
1	132-4451-03	1	Plate-HOC, LH	14	108-7476	3	Screw-Plastite
2	132-4452-03	1	Plate-HOC, RH	15	110-7191	2	Washer-Thrust
3	322-3	4	Screw-HH	16	110-9417	2	Gear-Pinion, 15T
4	3296-29	4	Nut-Lock, NI	17	32151-61	2	Ring-Retaining
5	108-9779	2	Retainer-Bushing, HOC	18	132-4480	2	Cover-Gear
6	104-8699	2	Bearing-Ball	19	614650	2	Bolt-Shoulder
7	108-9782	2	Bushing-Sleeve	20	132-4458	2	11 Inch Wheel And Gear ASM
8	132-4459	2	Arm-Pivot, Rear	23	120-7012	1	Shield-Trailing
9	132-4486	2	Arm-Spring	24	117-1092	2	Screw-PTH
10	110-0549	2	Knob-HOC	25	3229-11	2	Screw-CARR
11	131-9696	1	Transmission	26	3296-16	2	Nut-Lock, NI
12	91-2258	1	Belt-V				
13	132-4481-01	1	Bracket-Transmission				

# Handle and Control Assembly



## Handle and Control Assembly (continued)

<i>Ref.</i>	<i>Part Number</i>	<i>Qty.</i>	<i>Description</i>	<i>Ref.</i>	<i>Part Number</i>	<i>Qty.</i>	<i>Description</i>
1	132-4453-03	1	Plate-Handle, LH	16	99-1589	1	Lever-Traction
2	132-4454-03	1	Plate-Handle, RH	17	121-9118	1	Spring-Torsion
3	3274-55	2	Screw-HSBH	18	131-0880-03	1	Bail-Brake
4	133-1980	2	Nut-Lock, NI	19	95-4453	1	Screw
5	132-4471-05	1	Handle	20	99-5239	1	Anchor-Cable
6	130-2344	2	Bolt-Shoulder	21	115-8435	1	Cable-Traction
8	115-2860	2	Quick Release ASM	22	115-8437	1	Cable-Brake
8:1	109-0917	1	Nut-Push	23	131-0897	1	Knob-Handle, Locking
8:2	114-7995	1	Lever	24	86-9671	1	Guide-Rope
8:3	114-7996	1	Anchor-Spring	25	3296-73	1	Nut-Lock, NI
8:4	115-2858	1	Spring-Compression	26	114-7988	1	Guide-Cable
8:5	114-2675	1	Rod-Release	27	131-4551	1	Handle-Cover
9	105-6842	1	Guide-LH	28	130-6721	2	Clip-Tree
10	105-6841	1	Guide-RH	29	133-1980-03	1	Rod-Stiffener
13	104-8678	1	Handle-Control	40	132-4513	1	Decal
14	99-1588	1	Bar-Control, Traction	41	132-4470	1	Decal-Traction, Adjust
15	3256-23	1	Washer-Plain				

# Attachments and Accessories

## For 20340 22in Recycler Lawn Mower with SmartStow

<b>Product Name</b>	<b>Model/Part</b>
Fuel Stabilizer .05 oz .....	130-2393
Traction Assist Handle Kit.....	131-4590
Toro WPM Maintenance Kit .....	20234
Lawn Striping Kit with 22in Roller.....	20601
Lawnmower Cover.....	490-7462
22 Inch Atomic Blade.....	59534P



**Notes:**

**Notes:**

**Notes:**



**Count on it.**