



SNOW CAB KIT

for 824 XL Snowthrower

PART NUMBER 95-2650

**INSTALLATION
INSTRUCTIONS**

Note: Keep these Instructions with your Snowthrower Operator's Manual for future reference.

Loose Parts

Note: Use the chart below to identify parts used for assembly.

DESCRIPTION	QTY.	USE
Left Bracket	1	Support the Vinyl Cover
Right Bracket	1	
Horizontal Bow	1	
Front Post	2	
Rear Vertical Bow	1	
Top Frame	1	
1" (25 mm) U-clamp	1	
1/4"-20 Locknut	9	In parts bag, used to assemble support framework to Snowthrower
1/4"-20 x 3/4" (19 mm) Hex Head Bolt	6	
1/4"-20 x 1" (25 mm) Hex Head Bolt	2	
1/4"-20 x 1-3/4" (44 mm) Hex Head Bolt	1	
1/4" x 1-1/4" (32 mm) Fender Washer	4	
1/4" (6 mm) Caplug, red	2	
Cable Tie	1	
Vinyl Cover	1	Fastens to support framework
Installation Instructions	1	Read before installing Snow Cab Kit

Before You Install the Snow Cab Kit

WARNING

POTENTIAL HAZARD

- If you leave the wire on the spark plug, someone could start the engine.

WHAT CAN HAPPEN

- Accidental starting of engine could seriously injure you or other bystanders.

HOW TO AVOID THE HAZARD

- Pull wire off spark plug and remove key from ignition switch before you install kit. Also push wire aside so it does not accidentally contact spark plug.

1. Make sure the engine is shut off, then remove the key from the ignition switch.
2. Disconnect the spark plug wire from the spark plug.

To Remove the Light Kit

If your Snowthrower is equipped with a light kit, you'll have to remove the light kit from the snowthrower before installing the Cab Kit. Remove the light kit as follows:

1. Cut the cable tie and disconnect the lamp wire connector from the jumper wire connector (Fig. 1).
2. Remove the hex nut and lock washer holding the U-bracket to the lamp mount and remove the U-bracket and attached lamp assembly from the lamp mount (Fig. 1).
3. Remove the two locknuts and flat washers from the U-bolt and remove the lamp mount from the snowthrower handle (Fig. 1).

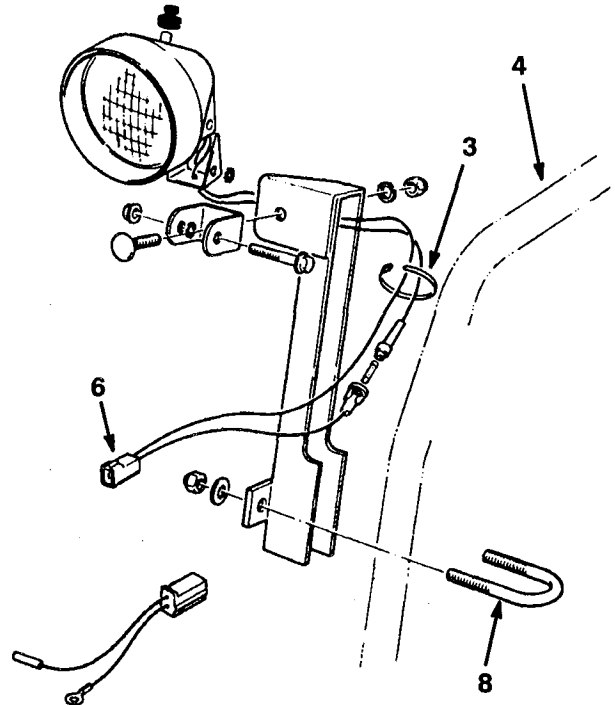


Figure 1

- | | |
|-----------------------|--------------------------|
| 1. Lamp Assembly | 5. U-bracket |
| 2. Lamp Mount | 6. Lamp Wire Connector |
| 3. Cable Tie | 7. Jumper Wire Connector |
| 4. Snowthrower Handle | 8. U-bolt |

Installing the Support Framework

Note: Don't tighten the fasteners on the support framework until the entire framework is assembled.

Installing the Left Bracket

1. Fasten the top of the left bracket to the top left control panel mounting hole using the existing 1/4"-20 hex head bolt and locknut (Fig. 2).
2. Fasten the bottom of the left bracket to the top hole in the upper chute crank bracket using the existing 1/4"-20 hex head bolt and locknut (Fig. 2).

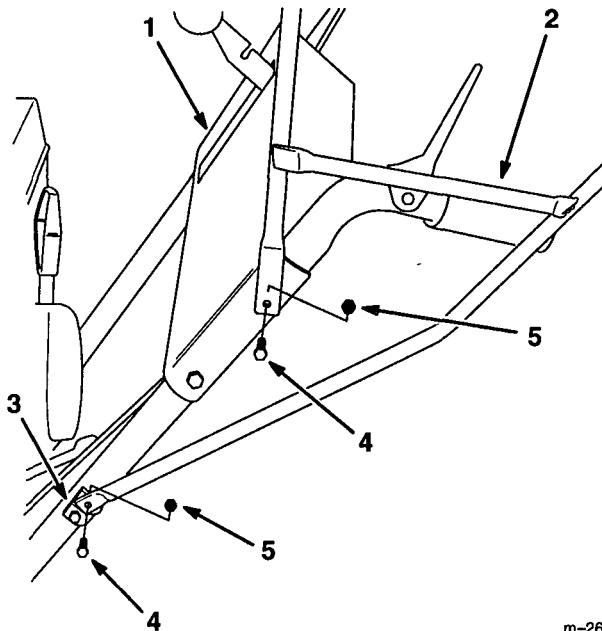


Figure 2

- | | |
|------------------------------|--------------------------|
| 1. Control Panel | 4. 1/4"-20 Hex Head Bolt |
| 2. Left Bracket | 5. Locknut |
| 3. Upper Chute Crank Bracket | |

Installing the Right Bracket

1. Fasten the top of the right bracket to the top right control panel mounting hole using the existing 1/4"-20 hex head bolt and locknut (Fig. 3).
2. Install the U-clamp onto the right handle (Fig. 3).
3. Fasten the bottom of the right bracket to the U-clamp with the 1/4"-20 x 1-3/4" (44 mm) bolt and locknut provided with the kit (Fig. 3).

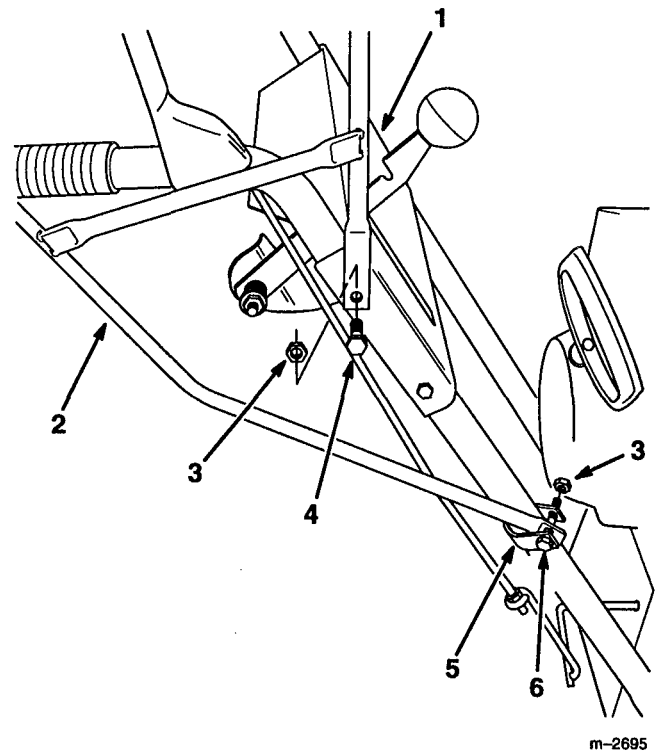


Figure 3

- | | |
|--------------------------|-----------------------------------|
| 1. Control Panel | 5. U-clamp |
| 2. Right Bracket | 6. 1/4"-20 x 1-3/4" Hex Head Bolt |
| 3. Locknut | |
| 4. 1/4"-20 Hex Head Bolt | |

Installing the Horizontal Bow

1. Fasten the rear of the horizontal bow to the inside of the left and right brackets with the 1/4"-20 x 1" (25 mm) bolts, 1/4" x 1-1/4" (32 mm) fender washers and locknuts provided with the kit. Leave the locknuts finger-tight (Figs. 4 and 5).

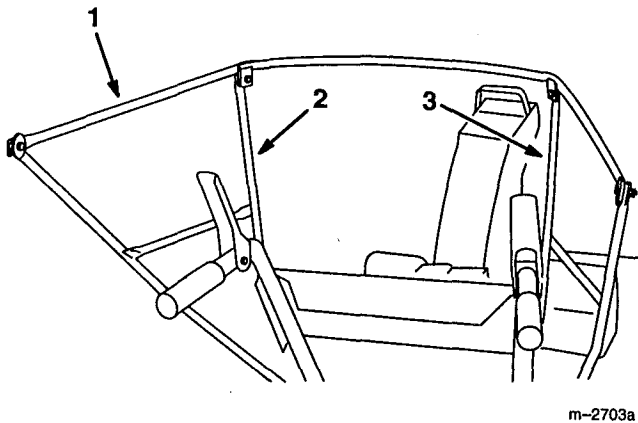


Figure 4

1. Horizontal Bow
2. Left Bracket
3. Right Bracket

Make sure the rear bolt heads face inward (Fig. 5).

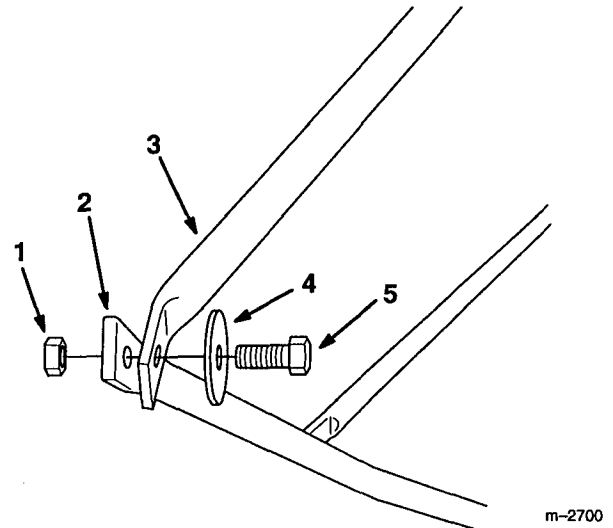


Figure 5

1. Locknut
2. Bracket (left shown)
3. Horizontal Bow
4. 1/4" x 1-1/4" (32 mm) Fender Washer
5. 1/4"-20 x 1" (25 mm) Hex Head Bolt

2. Fasten the front of the horizontal bow to the inside of the left and right brackets with the 1/4"-20 x 3/4" (19 mm) hex head bolts and locknuts provided with the kit. Leave the locknuts finger-tight. Make sure the front bolt heads face outward (Figs. 4 and 6).

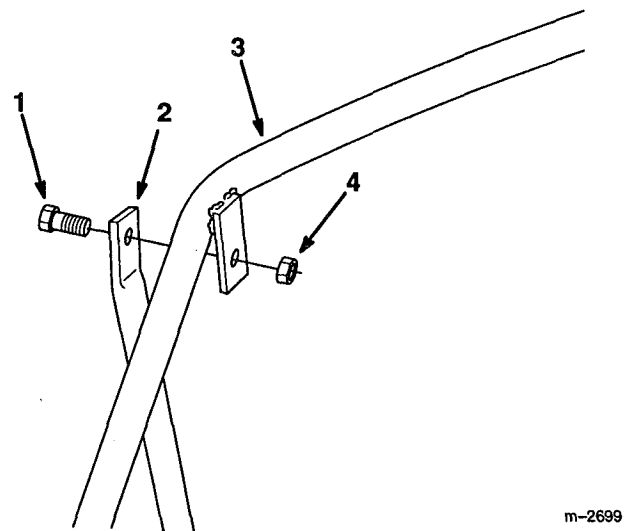


Figure 6

1. 1/4"-20 x 3/4" (19 mm) Hex Head Bolt
2. Bracket (left shown)
3. Horizontal Bow
4. Locknut

Installing the Rear Vertical Bow

1. Remove the locknuts and install the rear vertical bow to the outside of the left and right brackets (Figs. 7 and 8).

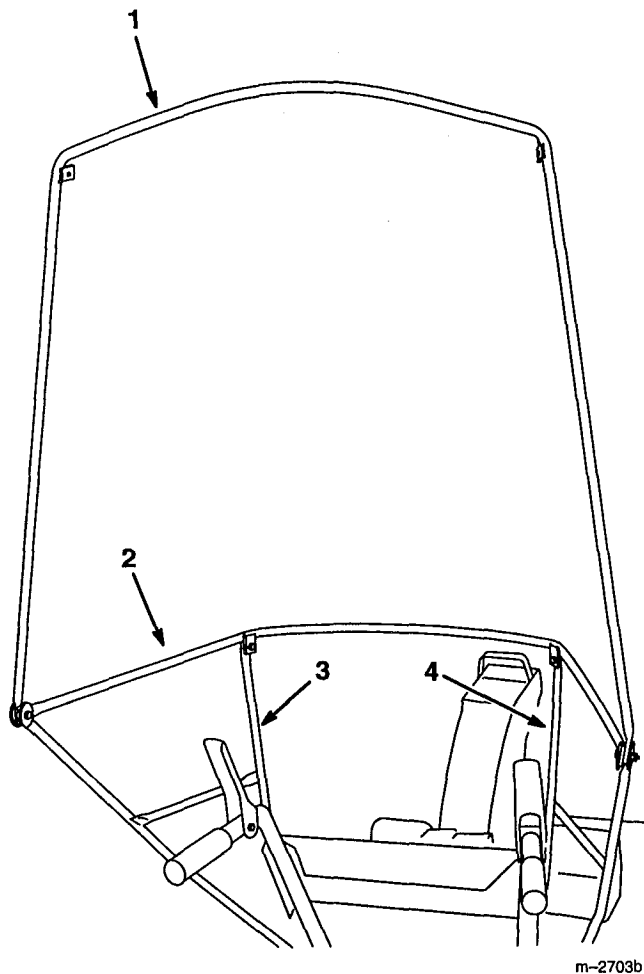


Figure 7

- | | |
|----------------------|------------------|
| 1. Rear Vertical Bow | 3. Left Bracket |
| 2. Horizontal Bow | 4. Right Bracket |

2. Install 1/4" x 1-1/4" (32 mm) fender washers onto the 1/4"-20 x 1" (25 mm) bolts, then reinstall the locknuts finger-tight (Fig. 8).

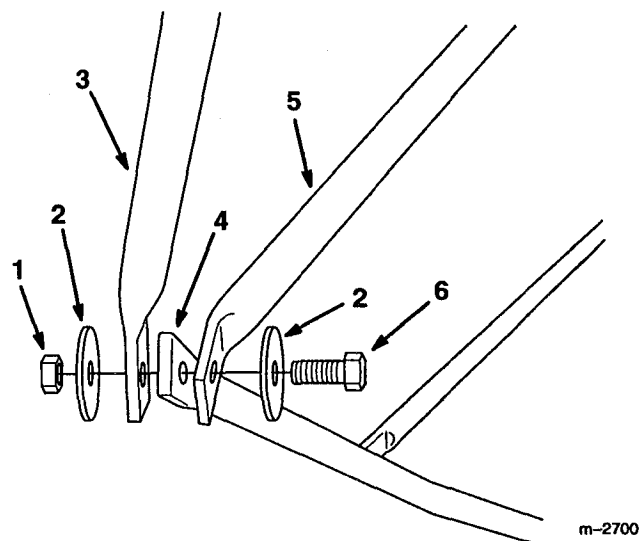
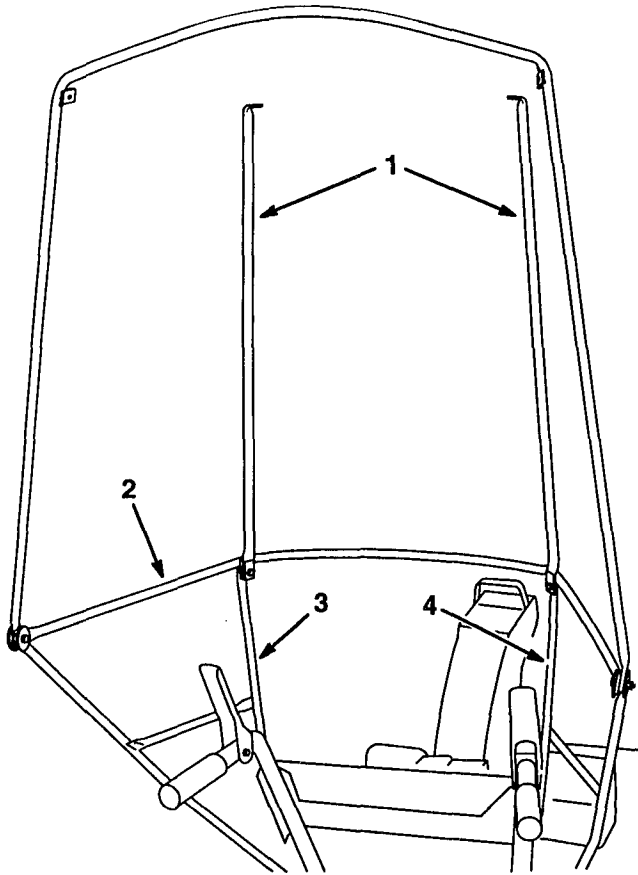


Figure 8

- | | |
|--------------------------------|---------------------------------------|
| 1. Locknut | 4. Bracket (left shown) |
| 2. 1/4" x 1-1/4" Fender Washer | 5. Horizontal Bow |
| 3. Rear Vertical Bow | 6. 1/4"-20 x 1" (25 mm) Hex Head Bolt |

Installing the Front Posts

1. Remove the locknuts and install the front posts on the inside of the horizontal bow. Make sure the tabs on the top of the front posts face inward (Figs. 9 and 10).

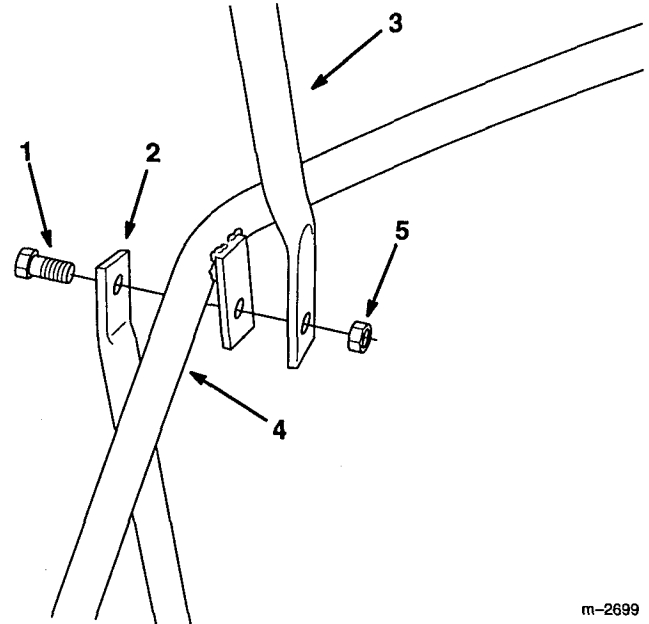


m-2703c

Figure 9

- | | |
|-------------------|------------------|
| 1. Front Post | 3. Left Bracket |
| 2. Horizontal Bow | 4. Right Bracket |

2. Reinstall the locknuts finger-tight (Fig. 10).



m-2699

Figure 10

- | | |
|--|----------------------------|
| 1. 1/4"-20 x 3/4" (19 mm)
Hex Head Bolt | 3. Front Post (left shown) |
| 2. Bracket (left shown) | 4. Horizontal Bow |
| | 5. Locknut |

Installing the Top Frame

Fasten the top frame to the rear vertical bow and front posts with four 1/4"-20 x 3/4" (19 mm) hex head bolts and locknuts (Fig. 11).

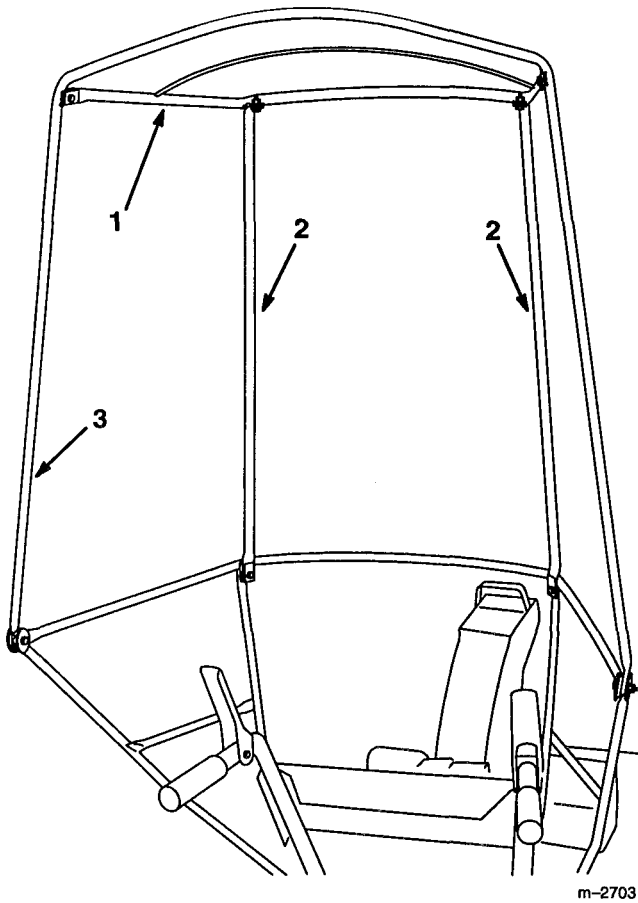
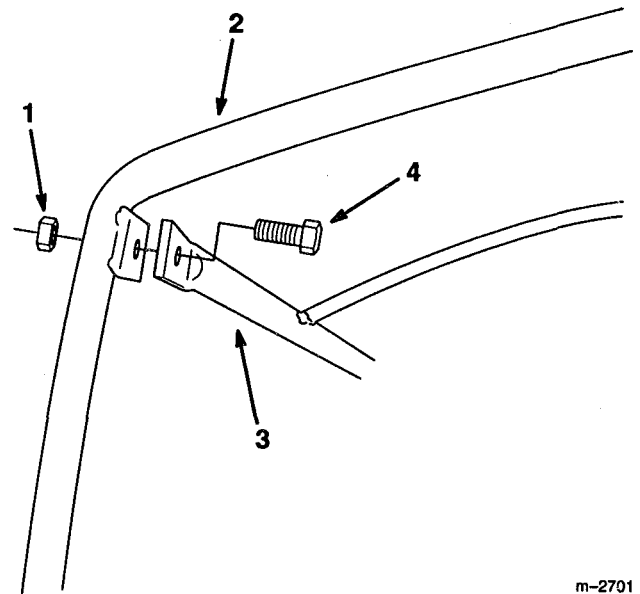


Figure 11

- 1. Top Frame
- 2. Front Post
- 3. Rear Vertical Bow

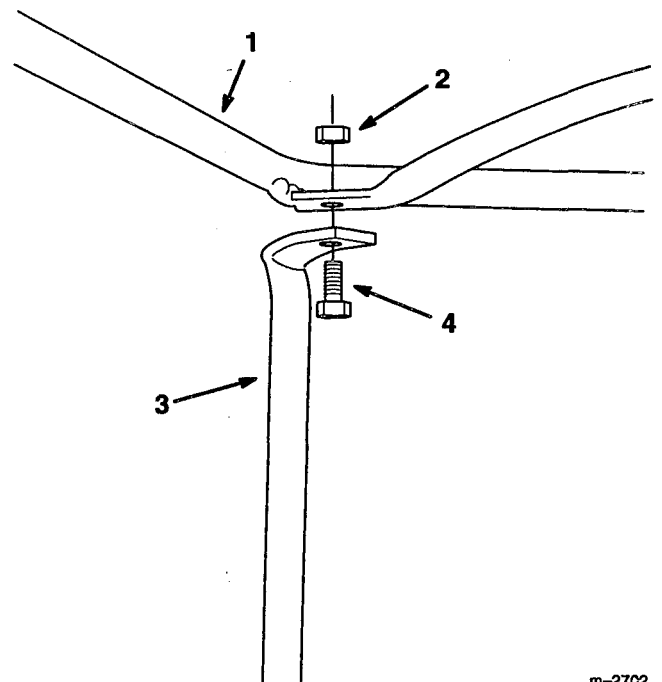
Make sure the bolts heads face inward at the rear, and downward in the front. Leave the locknuts finger-tight (Figs. 12 and 13).



m-2701

Figure 12

- 1. Locknut
- 2. Rear Vertical Bow
- 3. Top Frame (rear mount)
- 4. 1/4"-20 x 3/4" (19 mm) Hex Head Bolt



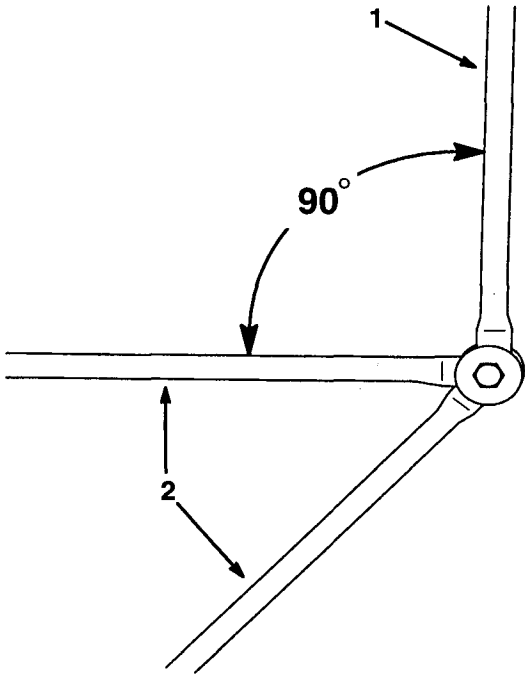
m-2702

Figure 13

- 1. Top Frame (front mount)
- 2. Locknut
- 3. Front Post (left shown)
- 4. 1/4"-20 x 3/4" (19 mm) Hex Head Bolt

Completing the Support Framework Installation

1. Tilt the top of the framework forward as necessary so the rear vertical bow is 90 degrees to the left and right brackets. This will position the top front of the vinyl cover forward slightly to prevent snow buildup on the front of the cover (Fig. 14).

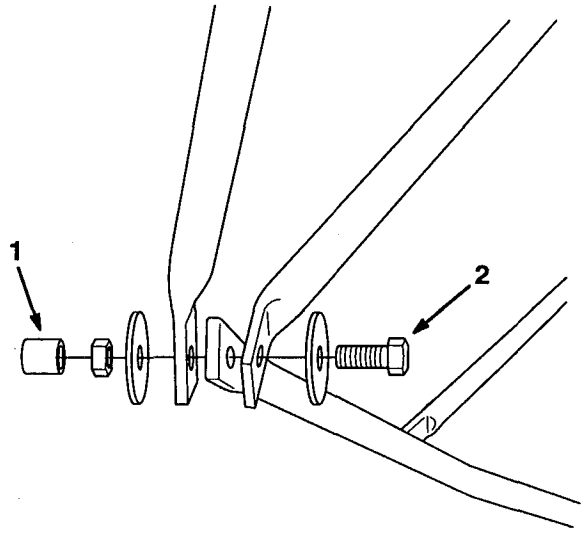


m-2696

Figure 14

1. Rear Vertical Bow
2. Bracket (typical)

3. Install the 1/4" (6 mm) Caplugs onto the exposed threads on the 1/4"-20 x 1" (25 mm) bolts at the rear of the brackets (Fig. 15).



m-2700

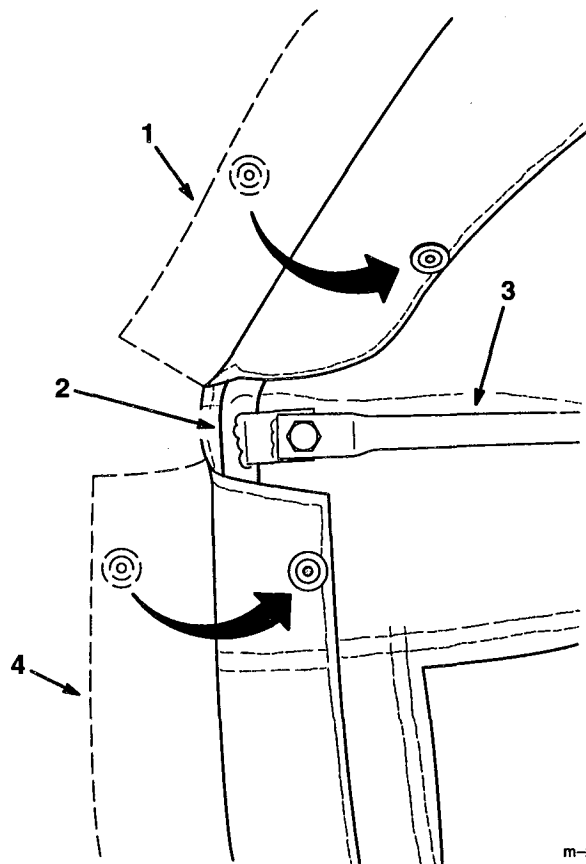
Figure 15

1. 1/4" (6 mm) Caplug
2. 1/4"-20 x 1" Hex Head Bolt

2. Tighten all the fasteners on the support framework.

Installing the Vinyl Cover

1. Drape the vinyl cover over the support framework (Fig. 16).
2. Fold the top and side flaps around the rear vertical bow and secure the snaps (Fig. 16).



m-2697

Figure 16

- | | |
|----------------------|------------------------|
| 1. Top Flap | 3. Top Frame |
| 2. Rear Vertical Bow | 4. Side Flap (typical) |

To Reinstall the Light Kit

If you've removed a light kit from the snowthrower, reinstall the light kit as follows:

1. Reattach the lamp mount to the right handle on the snowthrower with the U-bolt, washers and locknuts. Leave the locknuts finger-tight (Fig. 17).

Note: You may need to loosen the U-clamp on the right bracket to reattach the lamp mount (Fig. 3 on page 3).

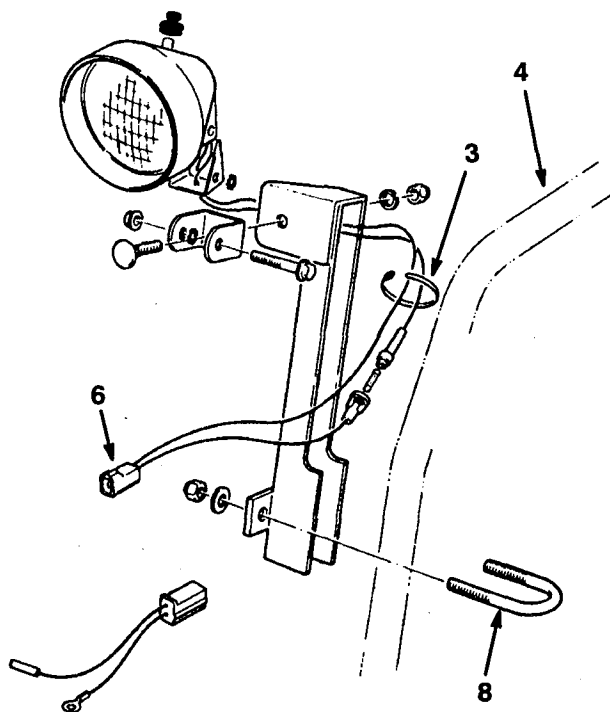
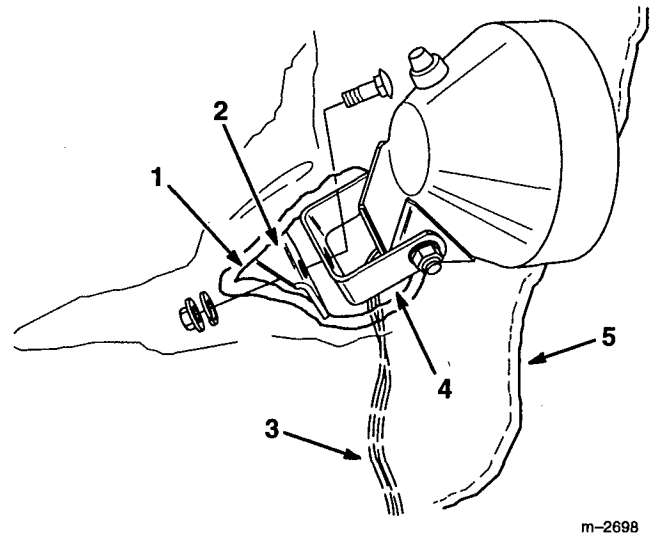


Figure 17

- | | |
|-----------------------|--------------------------|
| 1. Lamp Assembly | 5. U-bracket |
| 2. Lamp Mount | 6. Lamp Wire Connector |
| 3. Cable Tie | 7. Jumper Wire Connector |
| 4. Snowthrower Handle | 8. U-bolt |

2. Make sure the top of the lamp mount is aligned with the opening in the vinyl cover, then insert the lamp wires and fuse holder through the opening in the vinyl cover from the outside (Fig. 18).

3. Reinstall the U-bracket and attached lamp assembly to the lamp mount using the carriage bolt, lock washer and hex nut. Leave the hex nut finger-tight (Figs. 17 and 18).



m-2698

Figure 18

- | | |
|--|----------------|
| 1. Opening in Vinyl Cover | 4. U-bracket |
| 2. Lamp Mount | 5. Vinyl Cover |
| 3. Lamp Wires and Fuse Holder (behind Vinyl Cover) | |

4. Loosen the locknuts on the U-bolt as necessary, then route the lamp wires and fuse holder through the lamp mount channel and U-bolt (Fig. 17).
5. Plug the lamp wire connector into the jumper wire connector (Fig. 17).
6. Make sure the lamp is aimed correctly, then tighten the locknuts on the U-bolt and the hex nut on the U-bracket carriage bolt (Fig. 17).
7. If you had to loosen the U-clamp on the right bracket to reinstall the lamp mount, retighten the U-clamp (Fig. 3 on page 3).
8. Attach the lamp wires to the right snowthrower handle with the cable tie provided with the kit (Fig. 17).

