



**Count on it.**

**Operator's Manual**

**TimeCutter® SWX 5050 Riding  
Mower**

Model No. 74798—Serial No. 315000001 and Up



## ⚠ WARNING

### CALIFORNIA Proposition 65 Warning

This product contains a chemical or chemicals known to the State of California to cause cancer, birth defects, or reproductive harm.

The engine exhaust from this product contains chemicals known to the State of California to cause cancer, birth defects, or other reproductive harm.

**Important:** This engine is not equipped with a spark arrester muffler. It is a violation of California Public Resource Code Section 4442 to use or operate the engine on any forest-covered, brush-covered, or grass-covered land. Other states or federal areas may have similar laws.

This spark ignition system complies with Canadian ICES-002

## ⚠ WARNING

Removing standard original equipment parts and accessories may alter the warranty, traction, and safety of the machine. Failure to use original Toro parts could cause serious injury or death. Making unauthorized changes to the engine, fuel or venting system, may violate EPA and CARB regulations.

Replace all parts including, but not limited to, tires, belts, blades, and fuel system components with original Toro parts.

The enclosed *Engine Owner's Manual* is supplied for information regarding the US Environmental Protection Agency (EPA) and the California Emission Control Regulation of emission systems, maintenance, and warranty. Replacements may be ordered through the engine manufacturer.

### Gross Horsepower

The gross or net horsepower of this engine was laboratory rated by the engine manufacturer in accordance with the Society of Automotive Engineers (SAE) J1940. As configured to meet safety, emission, and operating requirements, the actual engine torque on this class of mower will be significantly lower.

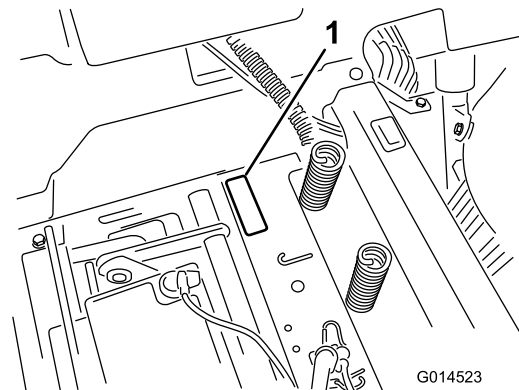
# Introduction

This machine is a ride-on, rotary-blade lawn mower intended to be used by homeowners in residential applications. It is primarily designed for cutting grass on well-maintained lawns. It is not designed for cutting brush, mowing grass and other growth alongside highways, or for agricultural uses.

Read this information carefully to learn how to operate and maintain your product properly and to avoid injury and product damage. You are responsible for operating the product properly and safely.

You may contact Toro directly at [www.Toro.com](http://www.Toro.com) for product safety and operation training materials, accessory information, help finding a dealer, or to register your product.

Whenever you need service, genuine Toro parts, or additional information, contact an Authorized Service Dealer or Toro Customer Service and have the model and serial numbers of your product ready. [Figure 1](#) identifies the location of the model and serial numbers on the product. Write the numbers in the space provided.



**Figure 1**  
Under the seat

1. Model and serial number plate

Write the product model and serial numbers in the space below:

Model No. _____
Serial No. _____

This manual identifies potential hazards and has safety messages identified by the safety alert symbol ([Figure 2](#)), which signals a hazard that may cause serious injury or death if you do not follow the recommended precautions.



Figure 2

g000502

1. Safety alert symbol.

This manual uses 2 words to highlight information. **Important** calls attention to special mechanical information and **Note** emphasizes general information worthy of special attention.

# Contents

Safety .....	4
Safe Operating Practices .....	4
Toro Riding Mower Safety .....	6
Slope Indicator .....	7
Safety and Instructional Decals .....	8
Product Overview .....	13
Controls .....	13
Operation .....	15
Adding Fuel .....	15
Checking the Engine-Oil Level .....	16
Breaking in a New Machine .....	16
Think Safety First .....	16
Starting the Engine .....	18
Operating the Parking Brake (SmartPark™) .....	19
Operating the Blades .....	19
Stopping the Engine .....	19
Driving the Machine .....	19
Stopping the Machine .....	20
Mowing in Reverse .....	20
Adjusting the Height-of-Cut .....	21
Positioning the Steering Wheel .....	21
Adjusting the Anti-Scalp Rollers .....	22
Positioning the Seat .....	22
Pushing the Machine by Hand .....	22
Grass Deflector .....	23
Transporting the Machine .....	23
Loading the Machine .....	24
Operating Tips .....	25
Maintenance .....	27
Recommended Maintenance Schedule(s) .....	27
Pre-Maintenance Procedures .....	28
Raising the Seat .....	28
Raising the Front of the Machine .....	28
Lubrication .....	28
Greasing the Bearings .....	28
Engine Maintenance .....	29
Servicing the Air Cleaner .....	29
Servicing the Engine Oil .....	29
Servicing the Spark Plug .....	31
Cleaning the Blower Housing .....	32
Fuel System Maintenance .....	33

Replacing the In-Line Fuel Filter .....	33
Servicing the Emissions Filter .....	33
Electrical System Maintenance .....	34
Charging the Battery .....	34
Servicing the Fuses .....	36
Drive System Maintenance .....	36
Checking the Tire Pressure .....	36
Releasing the Electric Brake .....	36
Hydraulic System Maintenance .....	37
Checking the Hydraulic Oil Level .....	37
Changing the Hydraulic System Oil and Filters .....	38
Mower Maintenance .....	40
Servicing the Cutting Blades .....	40
Leveling the Mower Deck .....	42
Removing the Mower .....	44
Mower Belt Maintenance .....	44
Installing the Mower .....	45
Replacing the Grass Deflector .....	45
Cleaning .....	47
Cleaning under the Front of the Machine .....	47
Washing the Underside of the Mower Deck .....	47
Storage .....	48
Cleaning and Storage .....	48
Troubleshooting .....	49
Schematics .....	51

# Safety

To reduce the potential for injury, comply with these safety instructions and always pay attention to the safety alert symbol, which means **CAUTION, WARNING, or DANGER**-"personal safety instruction." Failure to comply with the instruction may result in personal injury or death.

## Safe Operating Practices

This product is capable of amputating hands and feet and throwing objects. Always follow all safety instructions to avoid serious injury or death.

The following instructions are adapted from ANSI standard B71.1-2012. All the language within this ANSI standard applies to this machine; however, due to the application of the standard across many different types of products some statements can seem general or misleading. In these instances, Toro has refined the statement to convey the meaning of the standard while better matching the product this *Operator's Manual* pertains. Safety information in addition to the instructions found in the ANSI standard below can be found in Toro Riding Mower Safety at the end of this section.

## General Operation

- Read, understand, and follow all instructions in the operator's manual and on the machine before starting.
- Do not place hands or feet near rotating parts or under the machine. Keep clear of the discharge opening at all times.
- Allow only responsible adults who are familiar with the instructions to operate the machine.
- Clear the area of objects such as rocks, toys, wire, etc., which could be picked up and thrown by the blade.
- Be sure the area is clear of other people before mowing. Stop the machine if anyone enters the area.
- Never carry passengers.
- Do not mow in reverse unless absolutely necessary. Always look down and behind before and while backing up.
- Be aware of the mower discharge direction and do not point it at anyone. Avoid discharging material against a wall or obstruction. Material may ricochet back toward the operator. Stop the blade(s) when crossing gravel surfaces.
- Do not operate the machine without deflector, discharge cover or entire grass collection system in place and working.
- Be alert, slow down and use caution when making turns. Look behind and to the side before changing directions.
- Never leave a running machine unattended. Always turn off blades, set parking brake, stop engine, and remove key before dismounting.
- Turn off blades when not mowing. Stop the engine, wait for all parts to come to a complete stop and remove the key before cleaning the machine, removing the grass catcher or unclogging the discharge chute.
- Operate the machine only in daylight or good artificial light.
- Do not operate the machine while under the influence of alcohol or drugs.
- Watch for traffic when operating near or crossing roadways.
- Use extra care when loading or unloading the machine into a trailer or truck.
- Always wear eye protection when operating the mower.
- Data indicates that operators, age 60 years and above, are involved in a large percentage of riding mower-related injuries. Operators should evaluate their ability to operate the riding mower safely enough to protect themselves and others from serious injury.
- Always follow the recommendations for any application of counterweights.
- Lightning can cause severe injury or death. If lightning is seen or thunder is heard in the area, do not operate the machine; seek shelter.

## Slope Operation

Slopes are a major factor related to loss of control and tip-over accidents, which can result in severe injury or death. Operation on all slopes requires extra caution. If you cannot back up the slope or if you feel uneasy on it, do not mow it.

- Do not mow slopes greater than 15 degrees.
- Watch for ditches, holes, rocks, dips, and rises that change the operating angle, as rough terrain could overturn the machine.
- Choose a low ground speed so you will not have to stop while operating on a slope.
- Do not mow slopes when grass is wet. Slippery conditions reduce traction and could cause sliding and loss of control.
- Always keep the drive wheels engaged when going down slopes. Do not shift to neutral and coast downhill.
- Reduce speed and use extreme caution on slopes.

- Do not make sudden turns or rapid speed changes.
- Remove or mark obstacles such as rocks, tree limbs, etc. from the mowing area. Tall grass can hide obstacles.
- Avoid sudden starts when mowing uphill because the mower may tip backwards.
- Be aware that loss of traction may occur going downhill. Weight transfer to the front wheels may cause drive wheels to slip and cause loss of braking and steering.
- Always avoid sudden starting or stopping on a slope. If tires lose traction, stop the machine, disengage the blades and proceed slowly off the slope.
- Use extreme care with grass catchers or other attachments. These can change the stability of the machine and cause loss of control.
- Do not try to stabilize the machine by putting your foot on the ground.
- Do not mow near drop-offs, ditches, steep banks or water. Wheels dropping over edges can cause rollovers, which may result in serious injury, death or drowning.
- Use a walk behind mower and/or a hand trimmer near drop-offs, ditches, steep banks or water.

## Children

Tragic accidents can occur if the operator is not alert to the presence of children. Children are often attracted to the machine and the mowing activity. Never assume that children will remain where you last saw them.

- Keep children out of the mowing area and under the watchful care of another responsible adult, not the operator.
- Be alert and turn the machine off if children enter the area.
- Before and while backing or changing direction, look behind, down, and side-to-side for small children.
- Never carry children, even with the blades off. They may fall off and be seriously injured or interfere with safe machine operation.
- Children who have been given rides in the past may suddenly appear in the mowing area for another ride and be run over or backed over by the mower.
- Never allow children to operate the machine.
- Use extra care when approaching blind corners, shrubs, trees, the end of a fence or other objects that may obscure vision or block your view of a child.

## Towing Safety

- Do not attach towed equipment except at the hitch point.
- Follow the attachment manufacturer's recommendation for weight limits for towed equipment and towing on slopes. Towed weight must not exceed the weight of the machine, operator, and ballast. Use counterweights or wheel weights as described in the attachment, or in the pulling machine *Operator's Manual*.
- Never allow children or others in or on towed equipment.
- On slopes, the weight of the towed equipment may cause loss of traction, increased risk of rollover, and loss of control. Reduce the towed weight and slow down.
- Stopping distance increases with the weight of the towed load. Travel slowly and allow extra distance to stop.
- Make wide turns to keep the attachment clear of the machine.

## Service

Safe Handling of Gasoline:

To avoid personal injury or property damage, use extra care when handling gasoline and other fuels. They are flammable and the vapors are explosive.

- Extinguish all cigarettes, cigars, pipes and other sources of ignition.
- Use only an approved fuel container.
- Never remove the gas cap or add fuel when the engine is running. Allow the engine to cool before refueling.
- Never refuel the machine indoors.
- Never store the machine or fuel container inside where there is an open flame, such as near a water heater or furnace.
- Never fill containers inside a vehicle or on a truck or trailer with a plastic liner. Always place containers on the ground away from your vehicle before filling.
- Remove gas-powered equipment from the truck or trailer and refuel it on the ground. If this is not possible, then refuel such equipment with a portable container, rather than from a gasoline dispenser nozzle.
- Keep the nozzle in contact with the rim of the fuel tank or container opening at all times until the fueling is complete. Do not use a nozzle lock-open device.

- If fuel is spilled on clothing, change clothing immediately.
  - Never overfill the fuel tank. Replace gas cap and tighten securely.
- General Service:
- Never operate a machine inside a closed area. Engine exhaust contains carbon monoxide, which is an odorless, deadly poison that can kill you.
  - Keep nuts and bolts tight, especially the blade attachment bolts. Keep equipment in good condition.
  - Never interfere with the intended function of a safety device or reduce the protection provided by a safety device. Check their proper operation regularly.
  - Keep the machine free of grass, leaves, or other debris build-up. Clean up oil or fuel spillage fuel soaked debris. Allow the machine to cool before storing.
  - Stop and inspect the equipment if you strike an object. Repair, if necessary, before restarting.
  - Never make any adjustments or repairs with the engine running.
  - Grass catcher components are subject to wear, damage and deterioration, which could expose moving parts or allow objects to be thrown. Frequently check components and replace with manufacturers' recommended parts, when necessary.
  - Mower blades are sharp and can cut. Wrap the blade(s) or wear thickly-padded gloves, and use extra caution when servicing them.
  - Check for proper brake operation frequently. Adjust and service as required.
  - Maintain or replace safety and instruction decals as necessary.
  - Use only genuine Toro replacement parts to ensure that original standards are maintained.

mower and any moving parts while engine is running.

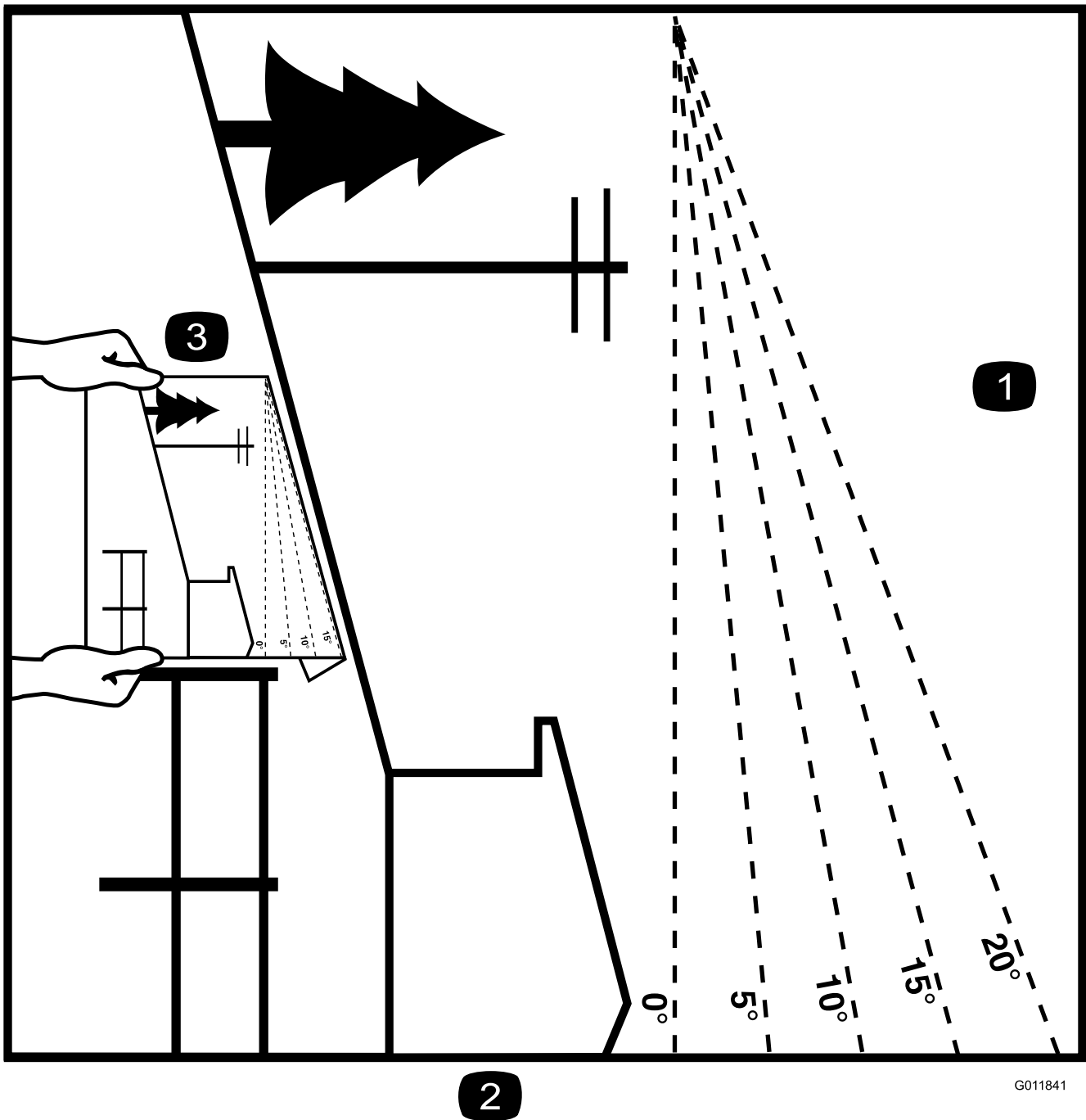
- Do not touch equipment or attachment parts which may be hot from operation. Allow to cool before attempting to maintain, adjust or service.
- Battery acid is poisonous and can cause burns. Avoid contact with skin, eyes, and clothing. Protect your face, eyes, and clothing when working with a battery.
- Battery gases can explode. Keep cigarettes, sparks and flames away from battery.
- Use only Toro approved attachments. Warranty may be voided if used with unapproved attachments.
- If loading the machine onto a trailer or truck, use a single, full-width ramp only. The ramp angle should not exceed 15 degrees.

## Toro Riding Mower Safety

The following list contains safety information specific to Toro products or other safety information that you must know that may not be included in the ANSI standards.

- Stop the engine, move the traction pedal to neutral, disengage the blade-control switch, remove key before and disconnect spark plug wire(s) performing any service, repairs, maintenance or adjustments.
- Keep hands, feet, hair, and loose clothing away from attachment discharge area, underside of

# Slope Indicator



G011841

g011841

2

**Figure 3**

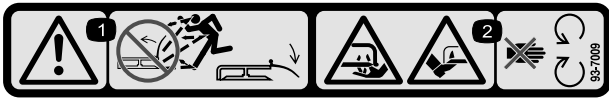
This page may be copied for personal use.

1. The maximum slope you can safely operate the machine on is **15 degrees**. Use the slope chart to determine the degree of slope of hills before operating. **Do not operate this machine on a slope greater than 15 degrees.** Fold along the appropriate line to match the recommended slope.
2. Align this edge with a vertical surface, a tree, building, fence pole, etc.
3. Example of how to compare slope with folded edge.

# Safety and Instructional Decals



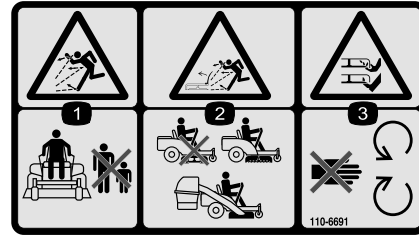
Safety decals and instructions are easily visible to the operator and are located near any area of potential danger. Replace any decal that is damaged or lost.



decal93-7009

**93-7009**

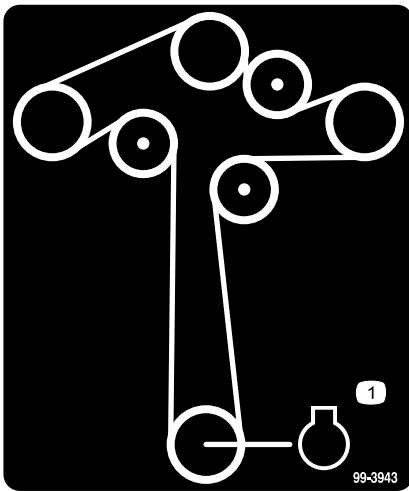
1. Warning—don't operate the mower with the deflector up or removed; keep the deflector in place.
2. Cutting/dismemberment hazard of hand or foot, mower blade—stay away from moving parts.



decal110-6691

**110-6691**

1. Thrown object hazard—keep bystanders a safe distance from the machine.
2. Thrown object hazard, mower—do not operate without the deflector, discharge cover, or grass collection system in place.
3. Cutting/dismemberment of hand or foot—stay away from moving parts.

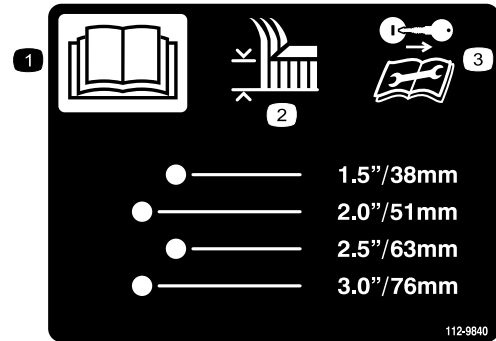


99-3943

decal99-3943

**99-3943**

1. Engine

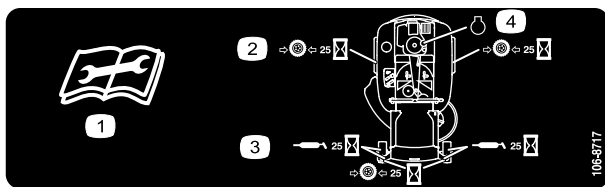


112-9840

decal112-9840

**112-9840**

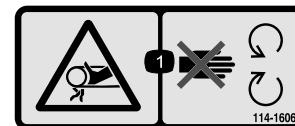
1. Read the *Operator's Manual*.
2. Height of cut
3. Remove the ignition key and read the instructions before servicing or performing maintenance.



decal106-8717

**106-8717**

1. Read the instructions before servicing or performing maintenance.
2. Check tire pressure every 25 operating hours.
3. Grease every 25 operating hours.
4. Engine



114-1606

decal114-1606

**114-1606**

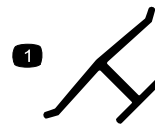
1. Entanglement hazard, belt—keep all guards in place.

**CALIFORNIA SPARK ARRESTER WARNING**

Operation of this equipment may create sparks that can start fires around dry vegetation. A spark arrester may be required. The operator should contact local fire agencies for laws or regulations relating to fire prevention requirements. 117-2718

117-2718

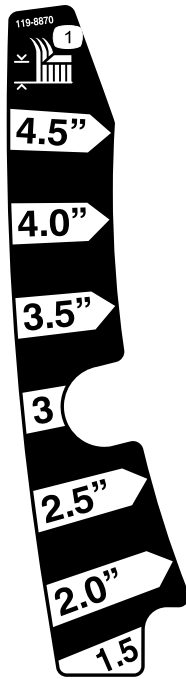
decal117-2718



**Manufacturer's Mark**

decaloemmark

1. Indicates the blade is identified as a part from the original machine manufacturer.



119-8870

decal119-8870

1. Height-of-cut

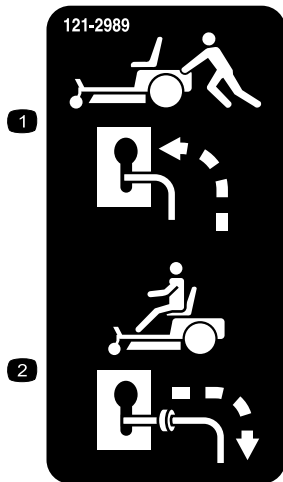


decalbatterysymbols

**Battery Symbols**

Some or all of these symbols are on your battery

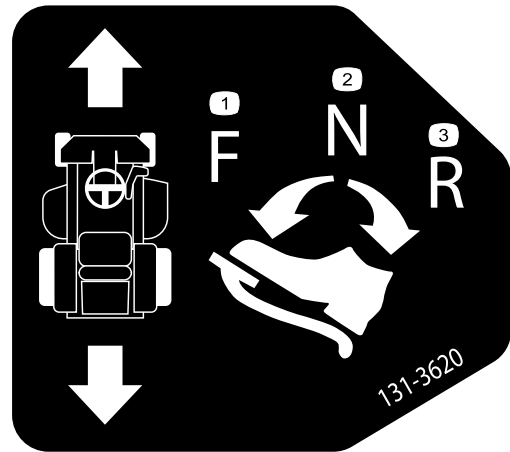
- |  |  |
|--|--|
| 1. Explosion hazard                    | 6. Keep bystanders a safe distance from the battery.                           |
| 2. No fire, open flame, or smoking.    | 7. Wear eye protection; explosive gases can cause blindness and other injuries |
| 3. Caustic liquid/chemical burn hazard | 8. Battery acid can cause blindness or severe burns.                           |
| 4. Wear eye protection                 | 9. Flush eyes immediately with water and get medical help fast.                |
| 5. Read the <i>Operator's Manual</i> . | 10. Contains lead; do not discard.   |



121-2989

decal121-2989b

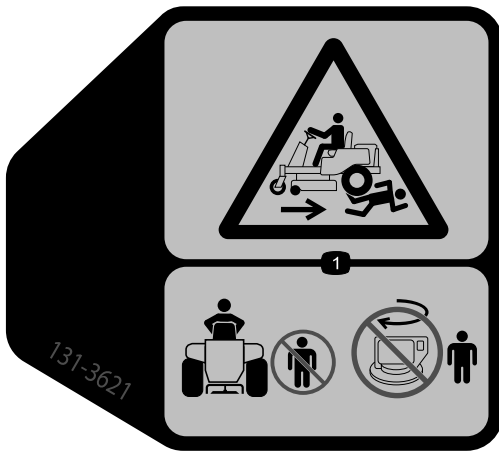
1. Bypass lever position for pushing the machine
2. Bypass lever position for operating the machine



131-3620

decal131-3620

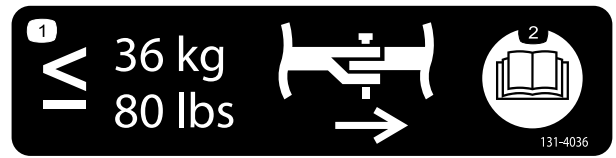
1. Pedal position—forward
2. Pedal position—neutral
3. Pedal position—reverse



**131-3621**

decal131-3621b

1. Crushing/dismemberment hazard of bystanders—keep bystanders away from the machine; do not activate Key Choice switch (allows mowing in reverse) with bystanders nearby.



**131-4036**

decal131-4036

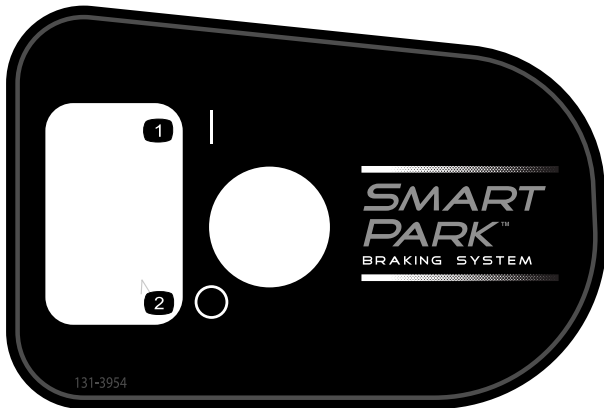
1. Maximum drawbar pull 36 kg (80 lb)
2. Read the *Operator's Manual*.



**131-3664**

decal131-3664

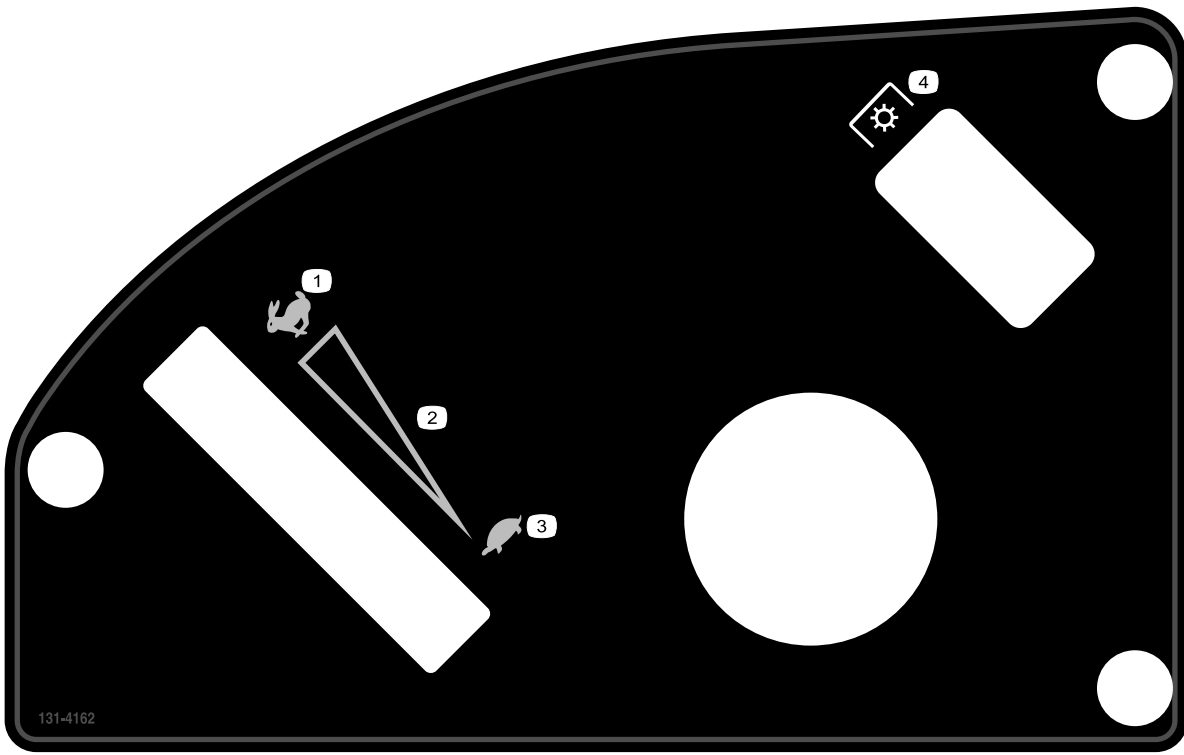
1. Spinning blade
2. Reverse
3. *Operator's Manual*



**131-3954**

decal131-3954

1. On
2. Off

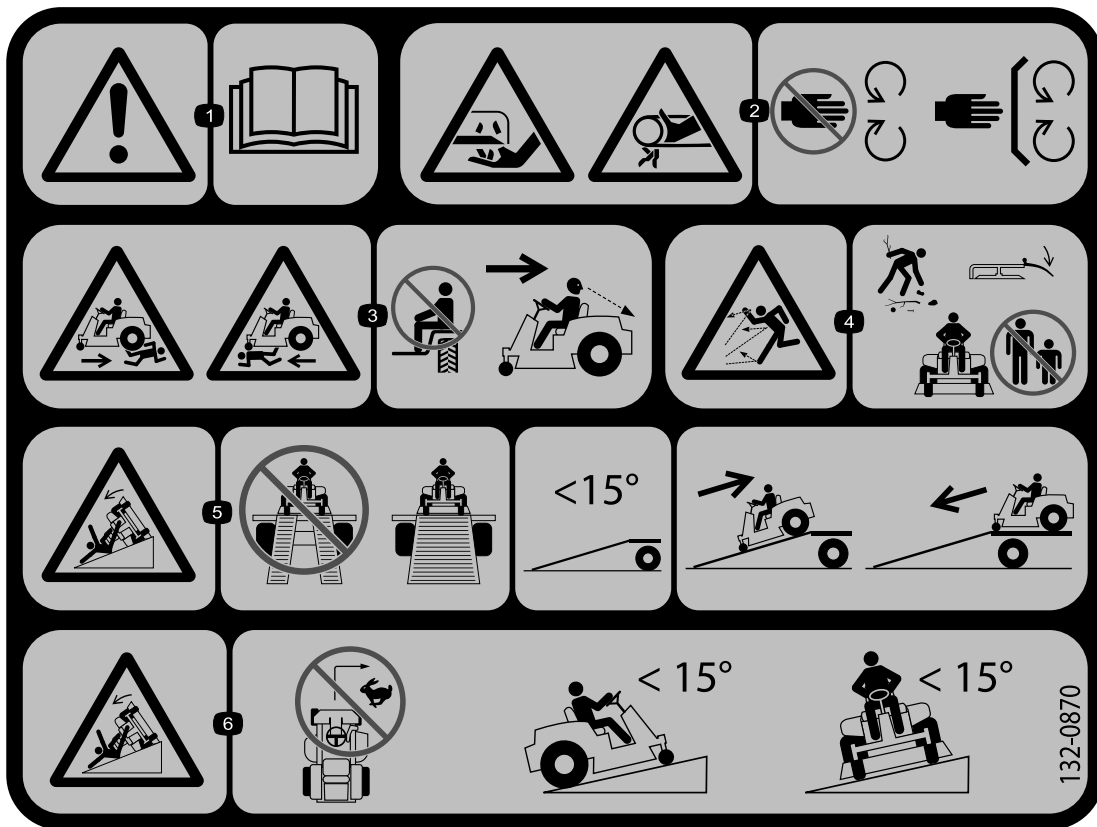


decal131-4162a

**131-4162**

50 Inch Models with Kohler Engine

- |                                |                   |
|--------------------------------|-------------------|
| 1. Fast                        | 3. Slow           |
| 2. Continuous variable setting | 4. Power take-off |
-

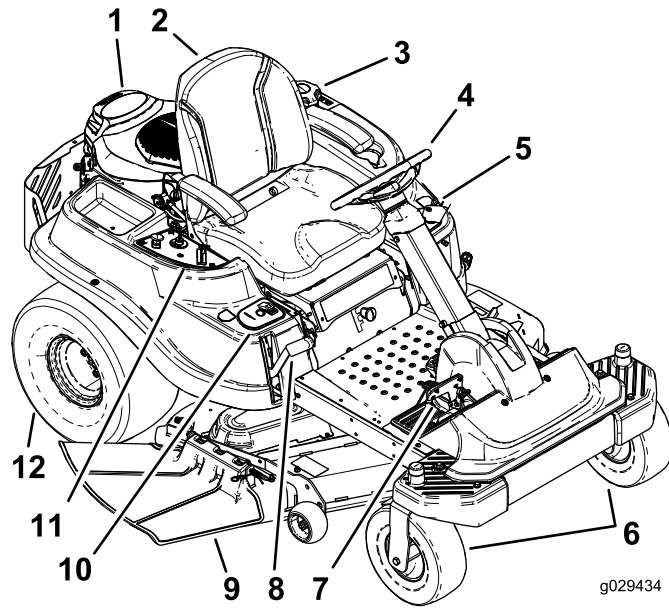


132-0870

decal132-0870

1. Warning—read the *Operator's Manual*.
2. Cutting hazard of hand, mower blade; pinching hazard of hand, belt—keep hands and feet away from moving parts; keep all guards and shields in place.
3. Bodily harm hazard—no riders; look behind you when mowing in reverse.
4. Thrown object hazard—keep bystanders away from the machine; remove debris from the area before mowing; keep the deflector shield down.
5. Ramp tipping hazard—when loading onto a trailer, do not use dual ramps; only use a single ramp wide enough for the machine and that has an incline less than 15 degrees; back up the ramp (in reverse) and drive forward off the ramp.
6. Tipping hazard on slopes—do not make sharp, quick turns; do not use slopes greater than 15 degrees.

# Product Overview



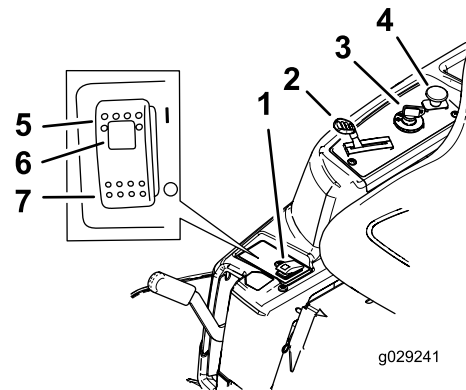
**Figure 4**

g029434

- |                        |                           |
|------------------------|---------------------------|
| 1. Engine              | 7. Traction-control pedal |
| 2. Operator seat       | 8. Height-of-cut lever    |
| 3. Fuel-tank cap       | 9. Mower deck             |
| 4. Steering wheel      | 10. SmartPark™ switch     |
| 5. Key Choice® control | 11. Control panel         |
| 6. Front caster wheels | 12. Rear drive wheel      |

## Controls

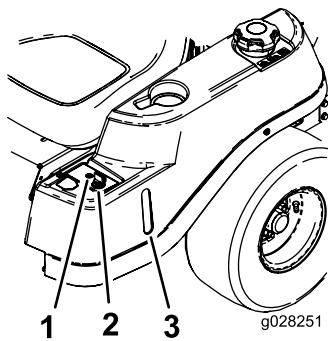
Become familiar with all controls in [Figure 4](#), [Figure 5](#), and [Figure 6](#) before you start the engine and operate the machine.



**Figure 5**  
Control Panel

g029241

- |  |                                  |
|--|----------------------------------|
| 1. SmartPark™ Switch                     | 5. Parking brake—On              |
| 2. Throttle                              | 6. Parking brake indicator light |
| 3. Ignition switch                       | 7. Parking brake—Off             |
| 4. Blade-control switch (power take-off) |                                  |



**Figure 6**

1. Operating-in-Reverse warning light
2. Key Choice key (blue in color)
3. Fuel-presence window

## Ignition Switch

The ignition switch has 3 positions—Off, Run and Start. The key will turn to Start and move back to Run upon release. Turning the key to the Off position will stop the engine; however, always remove the key when leaving the machine to prevent someone from accidentally starting the engine (Figure 5).

## Throttle Control

The throttle control is variable between Fast and Slow. Moving throttle lever forward will increase engine speed and moving throttle lever to the rear will decrease engine speed (Figure 5).

## Blade-control Switch (Power Take-off)

The blade-control switch, (PTO), engages and disengages power to the mower blades (Figure 5).

## Fuel-presence Window

The fuel window located on the left-hand side of the machine, can be used to verify the presence of gasoline in the tank (Figure 6).

## Height-of-Cut Lever

The height-of-cut lever allows you to lower and raise the deck from the seated position. When you raise the lever (toward you), the deck is raised from the ground, and when you lower it (away from you), it lowers to the ground. Adjust the height-of-cut only while the machine is not moving (Figure 14).

## Key Choice® Switch

This switch allows you to mow in reverse when it is activated. To activate it, turn the switch to on and release it after the PTO is engaged. To deactivate it, disengage the power take-off (PTO) (Figure 6).

## Operating-in-Reverse Warning Light

The Operating-in-Reverse warning light will illuminate whenever the KeyChoice key is used to deactivate the operating-in-reverse interlock. It is a reminder that the interlock system is deactivated. The light goes out whenever the PTO is disengaged or the engine is shut off. When the light is on, look behind and use extra caution when backing (Figure 6).

## SmartPark™ Switch

The parking brake is activated electronically.

Engage the parking brake by one of the following actions:

- Pressing the SmartPark™ switch to the On position (Figure 5).
- The parking brake engages automatically when the operator leaves the seat and the traction control pedal is in neutral position.
- The parking brake automatically engages 5 to 6 seconds after the ignition switch is turned to the Off position (if not already engaged).

To disengage the parking brake, press the Smartpark switch to the Off position with the key in the run position.

# Operation

**Note:** Determine the left and right sides of the machine from the normal operating position.

## Adding Fuel

- For best results, use only clean, fresh (less than 30 days old), unleaded gasoline with an octane rating of 87 or higher ((R+M)/2 rating method).
- **Ethanol:** Gasoline with up to 10% ethanol (gasohol) or 15% MTBE (methyl tertiary butyl ether) by volume is acceptable. Ethanol and MTBE are not the same. Gasoline with 15% ethanol (E15) by volume is not approved for use. **Never use gasoline that contains more than 10% ethanol by volume**, such as E15 (contains 15% ethanol), E20 (contains 20% ethanol), or E85 (contains up to 85% ethanol). Using unapproved gasoline may cause performance problems and/or engine damage which may not be covered under warranty.
- **Do not** use gasoline containing methanol.
- **Do not** store fuel either in the fuel tank or fuel containers over the winter unless a fuel stabilizer is used.
- **Do not** add oil to gasoline.

### **⚠ DANGER**

In certain conditions, gasoline is extremely flammable and highly explosive. A fire or explosion from gasoline can burn you and others and can damage property.

- **Fill the fuel tank outdoors, in an open area, when the engine is cold. Wipe up any gasoline that spills.**
- **Never fill the fuel tank inside an enclosed trailer.**
- **Do not fill the fuel tank completely full. Add gasoline to the fuel tank until the level is 6 to 13 mm (1/4 to 1/2 inch) below the bottom of the filler neck. This empty space in the tank allows gasoline to expand.**
- **Never smoke when handling gasoline, and stay away from an open flame or where gasoline fumes may be ignited by a spark.**
- **Store gasoline in an approved container and keep it out of the reach of children. Never buy more than a 30-day supply of gasoline.**
- **Do not operate without entire exhaust system in place and in proper working condition.**

### **⚠ DANGER**

In certain conditions during fueling, static electricity can be released causing a spark which can ignite the gasoline vapors. A fire or explosion from gasoline can burn you and others and can damage property.

- **Always place gasoline containers on the ground away from your vehicle before filling.**
- **Do not fill gasoline containers inside a vehicle or on a truck or trailer bed because interior carpets or plastic truck bed liners may insulate the container and slow the loss of any static charge.**
- **When practical, remove gas-powered equipment from the truck or trailer and refuel the equipment with its wheels on the ground.**
- **If this is not possible, then refuel such equipment on a truck or trailer from a portable container, rather than from a gasoline dispenser nozzle.**
- **If a gasoline dispenser nozzle must be used, keep the nozzle in contact with the rim of the fuel tank or container opening at all times until fueling is complete.**

### **⚠ WARNING**

Gasoline is harmful or fatal if swallowed. Long-term exposure to vapors can cause serious injury and illness.

- **Avoid prolonged breathing of vapors.**
- **Keep face away from nozzle and gas tank or conditioner bottle opening.**
- **Avoid contact with skin; wash off spillage with soap and water.**

## Using Stabilizer/Conditioner

Use a fuel stabilizer/conditioner in the machine to provide the following benefits:

- Keeps gasoline fresh during storage of 90 days or less. For longer storage it is recommended that the fuel tank be drained.
- Cleans the engine while it runs
- Eliminates gum-like varnish buildup in the fuel system, which causes hard starting

**Important:** Do not use fuel additives containing methanol or ethanol.

Add the correct amount of gas stabilizer/conditioner to the gas.

**Note:** A fuel stabilizer/conditioner is most effective when mixed with fresh gasoline. To minimize the chance of varnish deposits in the fuel system, use fuel stabilizer at all times.

## Filling the Fuel Tank

**Note:** Ensure that the engine is shut off and the motion controls are in the parked position.

**Note:** You can use the fuel window to verify the presence of gasoline before filling the tank (Figure 7).

**Important:** Do not overfill fuel tank. Fill the fuel tank to the bottom of the filler neck. The empty space in the tank allows the fuel to expand. Overfilling may result in fuel leakage, damage to the engine, or damage to the emissions system.

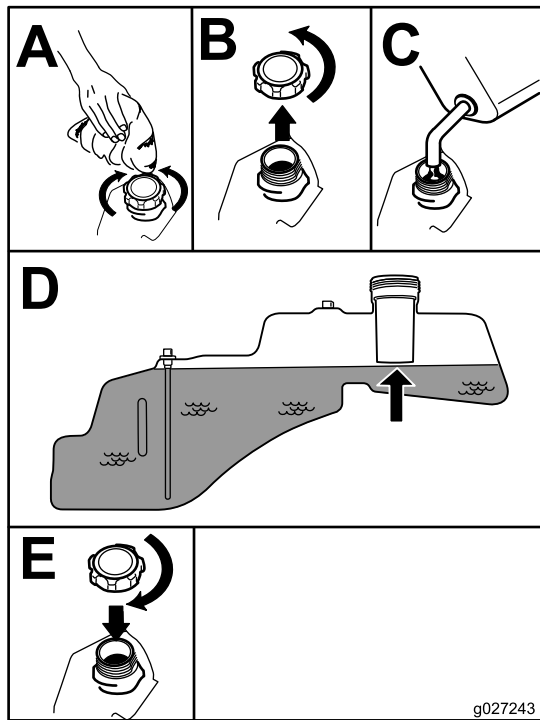


Figure 7

g027243

## Checking the Engine-Oil Level

Before you start the engine and use the machine, check the oil level in the engine crankcase; refer to [Checking the Engine-Oil Level \(page 30\)](#).

## Breaking in a New Machine

New engines take time to develop full power. Mower decks and drive systems have higher friction when

new, placing additional load on the engine. Allow 40 to 50 hours of break-in time for new machines to develop full power and best performance.

## Think Safety First

### Operating Safety

Please carefully read all of the safety instructions and decals in the safety section. Knowing this information could help you, your family, pets, or bystanders avoid injury.

#### **⚠ DANGER**

Mowing on wet grass or steep slopes can cause sliding and loss of control.

Wheels dropping over edges can cause rollovers, which may result in serious injury, death, or drowning.

A loss of traction is a loss of steering control.

To avoid loss of control and possibility of rollover:

- Do not mow near drop-offs or near water.
- Do not mow slopes greater than 15 degrees.
- Reduce the speed and use extreme caution on slopes.
- When mowing slopes, gradually work from lower to higher areas on the incline.
- Avoid sudden turns or rapid speed changes.
- Turn up, into an incline when changing directions on slopes. Turning down the slope reduces traction.
- Attachments change the handling characteristics of the machine. Use extra caution when using attachments with the machine.

## Understanding the Safety-Interlock System

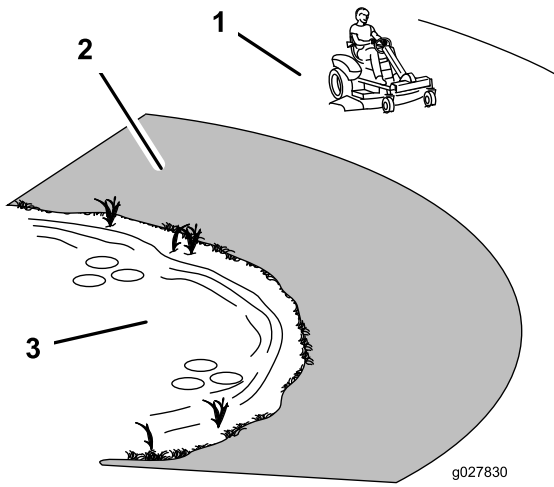
### **⚠ WARNING**

If safety-interlock switches are disconnected or damaged, the machine could operate unexpectedly causing personal injury.

- Do not tamper with the interlock switches.
- Check the operation of the interlock switches daily, and replace any damaged switches before operating the machine.

The safety-interlock system is designed for the following:

- To prevent the engine from starting unless the traction pedal is in the neutral position.
- To automatically ensure that the parking brake is engaged and the PTO is off when starting.
- To stop the engine whenever the traction pedal is not in the neutral position and you rise from the seat.
- To automatically engage the parking brake and disengage the PTO, when you rise out of the seat with the traction pedal in the neutral position.
- To stop the engine whenever the parking brake is not engaged and you rise from the seat.



**Figure 8**

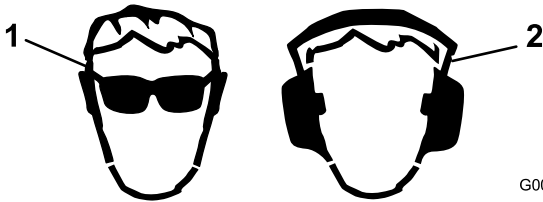
1. Safe zone—use the TimeCutter here
2. Use a walk-behind mower and/or hand trimmer near drop-offs and water.
3. Water

### **⚠ CAUTION**

This machine produces sound levels in excess of 85 dBA at the operators ear and can cause hearing loss through extended periods of exposure.

Wear hearing protection when operating this machine.

The use of protective equipment for eyes, ears, feet, and head is recommended.



**Figure 9**

1. Wear safety glasses
2. Wear hearing protection

## Testing the Safety-Interlock System

1. While sitting on the seat, move the blade-control switch to Off.
  2. Turn the ignition key to the Start position.  
**Note:** The starter should crank.
  3. Push the SmartPark switch to the Off position.  
**Note:** The brake should disengage, and the brake light should turn off.
  4. With brake disengaged and traction pedal in neutral, turn the ignition switch to the Start position.  
**Note:** The brake should automatically engage, the engine should crank, and the brake light will turn on.
  5. Engage the PTO by pulling up on the blade-control switch.
  6. Ensure the traction pedal is in neutral and turn ignition switch to the Start position.  
**Note:** The PTO should disengage and the engine should crank.
  7. Ensure the traction control pedal is in the neutral position and start the engine.
  8. Raise from the seat.  
**Note:** The engine should remain running.
  9. Return to the seat, disengage the parking brake by pushing the SmartPark switch to the Off position.  
**Note:** The engine should remain running.
  10. Raise from the seat.  
**Note:** The brake should automatically engage and the engine should remain running.
  11. Return to the seat, engage the blades by pulling up on the blade-control switch.
  12. Raise from the seat.  
**Note:** The blades should disengage and the engine should remain running.
  13. Return to the seat, and pull the blade-control switch up.  
**Note:** The blades should engage.
  14. Push down on the blade-control switch.  
**Note:** The blades should disengage.
  15. Engage the blades by pulling up on the blade-control switch.
  16. Move traction pedal to reverse.  
**Note:** The blades should disengage.
  17. Engage the blades by pulling up on the blade-control switch.
  18. Turn the Key Choice switch to On and release.  
**Note:** The operating in reverse light should illuminate.
  19. Move the traction pedal to reverse.  
**Note:** The blades should remain engaged.
  20. Push the PTO switch to the off position.  
**Note:** The blades should turn off and the reverse warning light should turn off.
  21. Engage the parking brake by pushing SmartPark switch to the On position.  
**Note:** The brake should engage and the brake light should be on.
  22. Push and release the traction pedal in either the forward or reverse direction.  
**Note:** The brake should disengage and the brake light should turn off.
  23. Raise from the seat, and push the traction pedal to either the forward or reverse direction.  
**Note:** The engine should kill.

## Starting the Engine

**Important:** Do not engage the starter for more than 10 seconds at a time. If the engine fails to start, allow a 60 second cool-down period between attempts. Failure to follow these instructions can damage the starter motor.

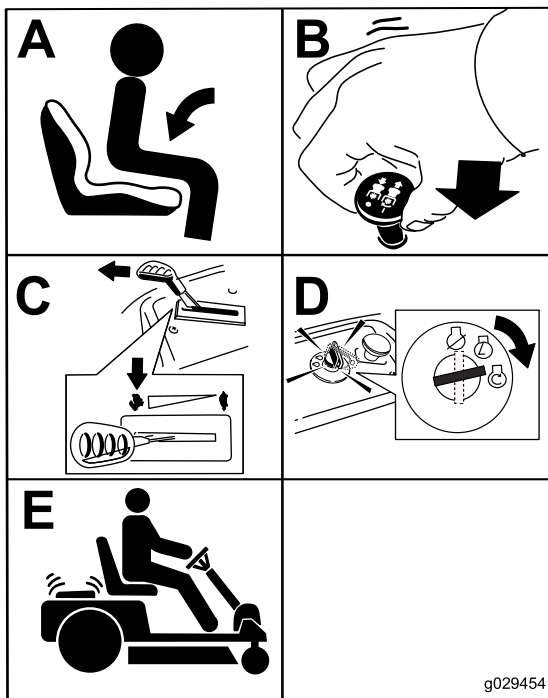


Figure 10

## Engaging the Blades

**Important:** Do not engage the blades when parked in tall grass. Belt or clutch damage can occur.

**Note:** Always engage the blades with the throttle in the Fast position.

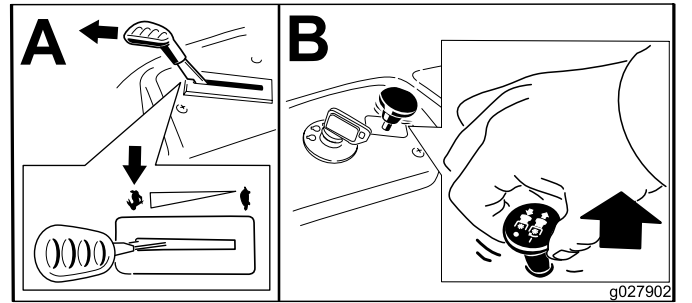


Figure 11

## Disengaging the Blades

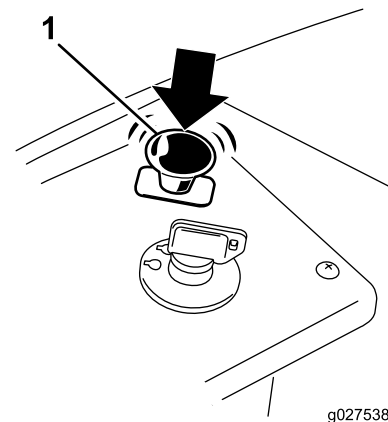


Figure 12

1. Power take-off (PTO) switch

## Operating the Parking Brake (SmartPark™)

The parking brake is activated electronically.

Engage the parking brake by one of the following actions:

- Pressing the SmartPark™ switch to the On position (Figure 5).
- The parking brake engages automatically when the operator leaves the seat and the traction control pedal is in the neutral position.
- The parking brake automatically engages 5 to 6 seconds after the ignition switch is turned to the Off position (if not already engaged).

Disengage the parking brake by one of the following actions:

- Tap the traction-control pedal forward or reverse.
- Pressing the brake switch to the Off position (Figure 5).

## Operating the Blades

The blade-control switch, represented by a power take-off (PTO) symbol, engages and disengages power to the mower blades. This switch controls power to any attachments that draw power from the engine, including the mower deck and cutting blades.

## Stopping the Engine

1. Disengage the blades by pushing the blade-control switch to Off (Figure 12).
2. Move the throttle lever to between the half and full throttle position.
3. Turn the ignition key to Off and remove the key.

## Driving the Machine

This machine has the characteristics of both a garden tractor and a zero-turn machine. Like a garden tractor, the machine has a foot pedal that controls the

forward and reverse motion along with the speed, and it has a steering wheel that controls the direction and the turning radius. Like a zero-turn machine, the rear drive wheels operate independently of each other, enabling you to make sharp turns and to turn in different directions quickly. These characteristics vastly improve the maneuverability of the machine, but they may also require you to practice driving if you are unfamiliar with this type of machine.

### **⚠ WARNING**

The machine can spin very rapidly. The operator may lose control of the machine and cause personal injury or damage to the machine.

- Use caution when making turns.
- Slow the machine down before making sharp turns.

The throttle control regulates the engine speed as measured in rpm (revolutions per minute). Placing the throttle control in the Fast position can be best for performance. For most applications, operating in the full-throttle position is desirable.

## Driving Forward or Backward

1. Move the throttle to the fast position.
2. Place your foot onto the traction-control pedal and slowly press the top of the pedal to go forward, or press on the bottom of the pedal to move backward (Figure 13).

**Note:** The farther you move the pedal in either direction, the faster the machine will move in that direction.

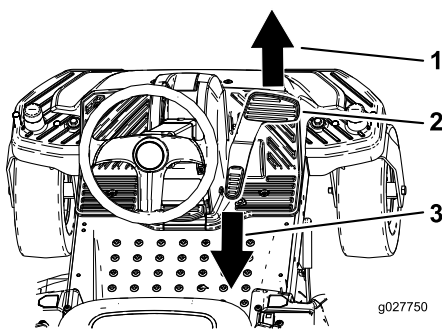


Figure 13

1. Forward
  2. Traction-control pedal
  3. Backward
- 
3. To slow down, release the pressure on the traction-control pedal.

## Stopping the Machine

To stop the machine, release the traction-control pedal, disengage the blade-control switch, ensure the throttle is in the fast positions, set the parking brake and turn the ignition key to off.

**Note:** Remember to remove the key from the ignition switch.

### **⚠ WARNING**

Children or bystanders may be injured if they move or attempt to operate the mower while it is unattended.

Always remove the ignition key and set the parking brake when leaving the machine unattended, even if just for a few minutes.

## Mowing in Reverse

The machine has an interlock feature that prevents the mower deck from mowing while the machine is traveling in reverse. If you shift into reverse with the PTO engaged, the PTO will stop. If you need to mow while in reverse gear, you can temporarily deactivate this interlock.

**Note:** Do not mow while backing up unless it is absolutely necessary.

### **⚠ DANGER**

A child or bystander could be backed over by a riding mower with blades engaged and cause serious personal injury or death.

- Do not mow in reverse unless absolutely necessary.
- Always look backward and down before backing up.
- Use the KeyChoice switch only if you are certain no children or other bystanders will appear in the mowing area.
- Always remove both the ignition and KeyChoice keys and put them in a safe place out of the reach of children or unauthorized users when leaving the unit unattended.

If you are certain that you can safely mow or operate an attachment in reverse, complete the following procedure:

1. Insert the KeyChoice key into the KeyChoice switch (Figure 6).
2. Engage the PTO.

3. Turn the KeyChoice key clockwise until it stops and release it.

**Note:** A red light illuminates on the console to serve as a reminder that the interlock has been deactivated.

4. Perform the mowing.
5. When finished mowing, remove the KeyChoice key (Figure 6).

**Note:** Once you deactivate the interlock, it stays in this mode—with your mower blade or PTO powered attachment operating whenever you back up—and the console light stays on until you either disengage the PTO or turn off the engine.

## Adjusting the Height-of-Cut

**Note:** The transport position is the highest height-of-cut position or cutting height 115 mm (4.5 inches) as shown in Figure 14.

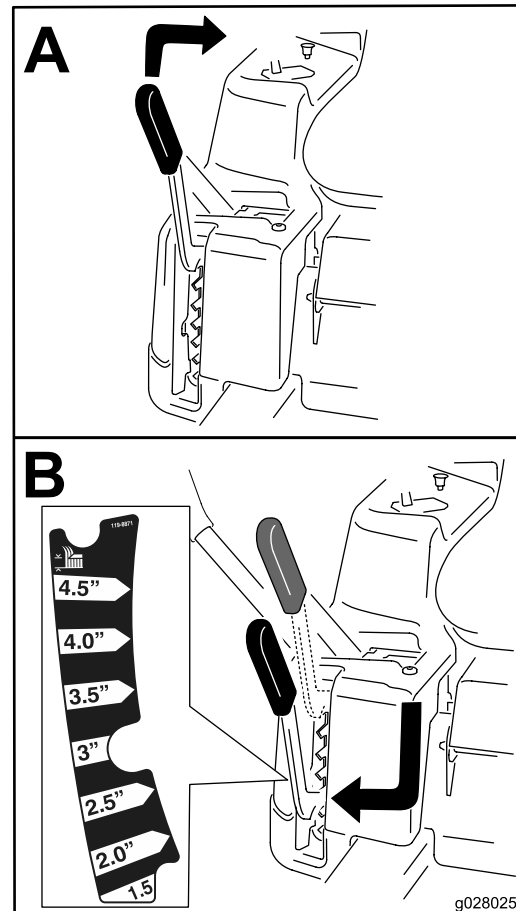


Figure 14

g028025

## Positioning the Steering Wheel

The steering wheel has 3 positions for operation and one, full-up position. Use the full-up position for stepping on and off the machine and getting out of the seat. When operating the machine, position the steering wheel where you have the best control of the machine and are most comfortable.

1. Press your foot onto the steering-column release lever.
2. Position the steering wheel to the desired position (Figure 15).

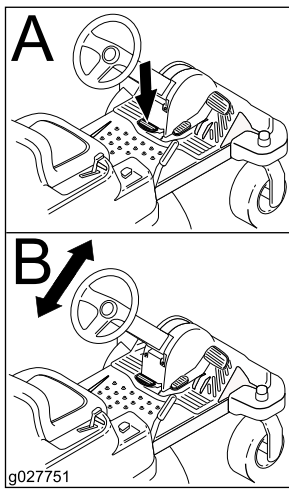


Figure 15

g027751

## Positioning the Seat

The seat can move forward and backward. Position the seat where you have the best control of the machine and are most comfortable.

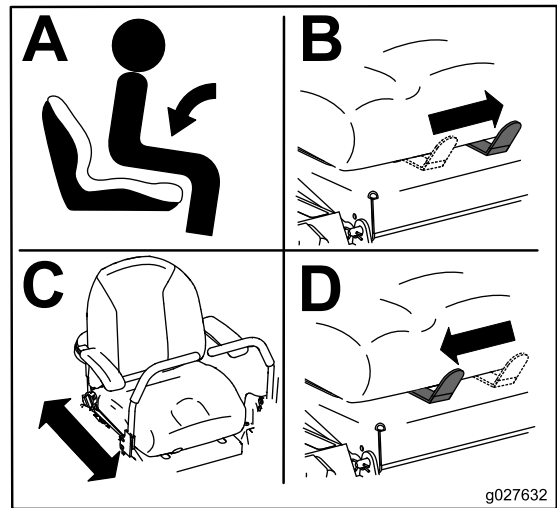


Figure 17

g027632

## Adjusting the Anti-Scalp Rollers

Whenever you change the height-of-cut, adjust the height of the anti-scalp rollers.

**Note:** Adjust the anti-scalp rollers so the rollers do not touch the ground in normal, flat mowing areas.

1. Disengage the blade-control switch (PTO), ensure the parking brake is engaged.
2. Stop the engine, remove the key, and wait for all moving parts to stop before leaving the operating position.
3. Adjust the anti-scalp rollers as shown in [Figure 16](#) to match the closest height-of-cut position.

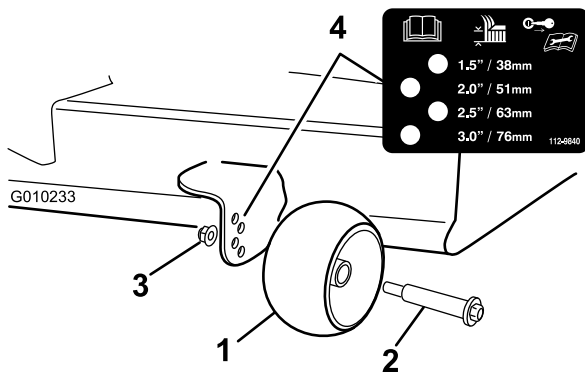


Figure 16

g010233

- |                      |                 |
|----------------------|-----------------|
| 1. Anti-scalp roller | 3. Flange Nut   |
| 2. Bolt              | 4. Hole spacing |

## Pushing the Machine by Hand

**Important:** Always push the machine by hand. Do not tow the machine, because damage may occur.

This machine has an electric-brake mechanism, and to push the machine, the ignition key needs to be in the Run position. The battery needs to be charged and functioning for the electric brake to disengage.

## Pushing the Machine

1. Park the machine on a level surface, and disengage the blade-control switch.
2. Set the parking brake, stop the engine, and wait for all moving parts to stop before leaving the operating position.
3. Locate the bypass levers on the frame on both sides of the engine.
4. Move the bypass levers forward through the key hole and down to lock them in place ([Figure 18](#)).

**Note:** Ensure this is done for each lever.

5. Turn the ignition key on and disengage the parking brake.

**Note:** Do not start the machine.

**Note:** The machine is now able to be pushed by hand.

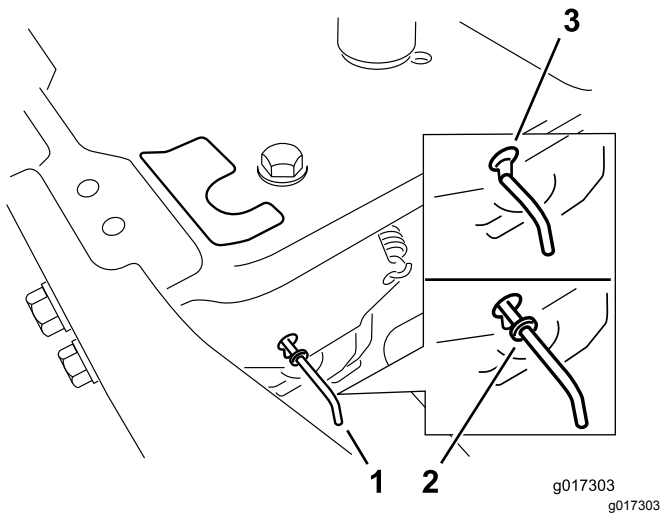


Figure 18

1. Bypass-lever locations
  2. Lever position for operating the machine
  3. Lever position for pushing the machine
- 
6. When finished, ensure that the key has returned to the Stop position to avoid draining the battery charge.

**Note:** If the machine fails to move, the electric brake may still be engaged. If necessary, the electric brake can be released manually; refer to [Releasing the Electric Brake \(page 36\)](#).

## Operating the Machine

Move the bypass levers rearward through the key hole and down to lock them in place as shown in [Figure 18](#).

**Note:** Ensure this is done for each lever.

## Grass Deflector

The mower has a hinged grass deflector that disperses clippings to the side and down toward the turf.

### **⚠ DANGER**

Without the grass deflector, discharge cover, or complete grass catcher assembly mounted in place, you and others are exposed to blade contact and thrown debris. Contact with rotating mower blade(s) and thrown debris will cause injury or death.

- Never remove the grass deflector from the mower because the grass deflector routes material down toward the turf. If the grass deflector is ever damaged, replace it immediately.
- Never put your hands or feet under the mower.
- Never try to clear discharge area or mower blades unless you move the blade-control switch to Off and rotate the ignition key to Off. Also remove the key and pull the wire off the spark plug(s).

## Transporting the Machine

Use a heavy-duty trailer or truck to transport the machine. Ensure that the trailer or truck has all necessary brakes, lighting, and marking as required by law. Please carefully read all the safety instructions. Knowing this information could help you, your family, pets, or bystanders avoid injury.

### **⚠ WARNING**

**Driving on the street or roadway without turn signals, lights, reflective markings, or a slow moving vehicle emblem is dangerous and can lead to accidents causing personal injury.**

**Do not drive machine on a public street or roadway.**

To transport the machine:

1. If using a trailer, connect it to the towing vehicle and connect the safety chains.
2. If applicable, connect the trailer brakes.
3. Load the machine onto the trailer or truck.
4. Stop the engine, remove the key, set the brake, and close the fuel valve.
5. Tie down the machine near the front caster wheels and the rear bumper ([Figure 19](#)).

**Note:** Avoid the steering components when tying down the machine at the front caster wheels.

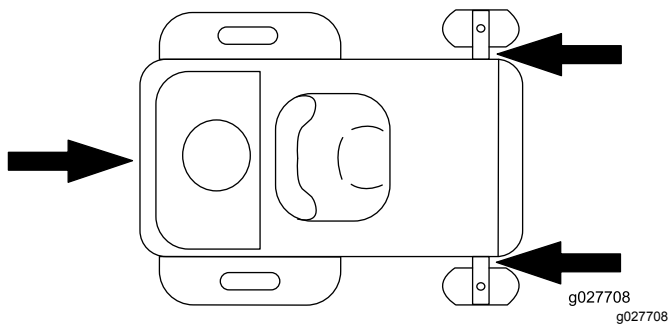


Figure 19

## ⚠ WARNING

Loading a machine onto a trailer or truck increases the possibility of tip-over and could cause serious injury or death.

- Use extreme caution when operating a machine on a ramp.
- Use only a full-width ramp; do not use individual ramps for each side of the machine.
- Do not exceed a 15-degree angle between the ramp and the ground or between the ramp and the trailer or truck.
- Ensure the length of ramp is at least four times (4X) as long as the height of the trailer or truck bed to the ground. This will ensure that ramp angle does not exceed 15 degrees on flat ground.
- Back up ramps and drive forward down ramps.
- Avoid sudden acceleration or deceleration while driving the machine on a ramp as this could cause a loss of control or a tip-over situation.

## Loading the Machine

Use extreme caution when loading or unloading machines onto a trailer or a truck. Use a full-width ramp that is wider than the machine for this procedure. Back up ramps and drive forward down ramps (Figure 20).

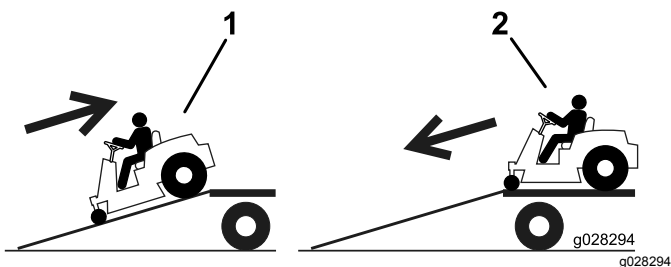


Figure 20

1. Back up ramps
2. Drive forward down ramps

**Important:** Do not use narrow individual ramps for each side of the machine.

Ensure the ramp is long enough so that the angle with the ground does not exceed 15 degrees (Figure 21). On flat ground, this requires a ramp to be at least four times (4X) as long as the height of the trailer or truck bed to the ground. A steeper angle may cause mower components to get caught as the unit moves from the ramp to the trailer or truck. Steeper angles may also cause the machine to tip or lose control. If loading on or near a slope, position the trailer or truck so that it is on the down side of the slope and the ramp extends up the slope. This will minimize the ramp angle.

# Operating Tips

## Using the Fast Throttle Setting

For best mowing and maximum air circulation, operate the engine at the Fast throttle position. Air is required to thoroughly cut grass clippings, so do not set the height-of-cut so low as to totally surround the mower by uncut grass. Always try to have one side of the mower free from uncut grass, which allows air to be drawn into the mower.

## Cutting a Lawn for the First Time

Cut grass slightly longer than normal to ensure that the cutting height of the mower does not scalp any uneven ground. However, the cutting height used in the past is generally the best one to use. When cutting grass longer than six inches tall, you may want to cut the lawn twice to ensure an acceptable quality of cut.

## Cutting 1/3 of the Grass Blade

It is best to cut only about 1/3 of the grass blade. Cutting more than that is not recommended unless grass is sparse, or it is late fall when grass grows more slowly.

## Mowing Direction

Alternate the mowing direction to keep the grass standing straight. This also helps disperse clippings which enhances decomposition and fertilization.

## Mowing at Correct Intervals

Normally, mow every 4 days. But, remember, grass grows at different rates at different times. So to maintain the same cutting height, which is a good practice, and mow more often in early spring. As the grass growth rate slows in mid summer, mow less frequently. If you cannot mow for an extended period, first mow at a high cutting height, then mow again 2 days later at a lower height setting.

## Avoiding Cutting Too Low

If the cutting width of the mower is wider than the mower you previously used, raise the cutting height to ensure that uneven turf is not cut too short.

## Cutting Long Grass

If the grass is ever allowed to grow slightly longer than normal, or if it contains a high degree of moisture, raise the cutting height higher than usual and cut the grass at this setting. Then cut the grass again using the lower, normal setting.

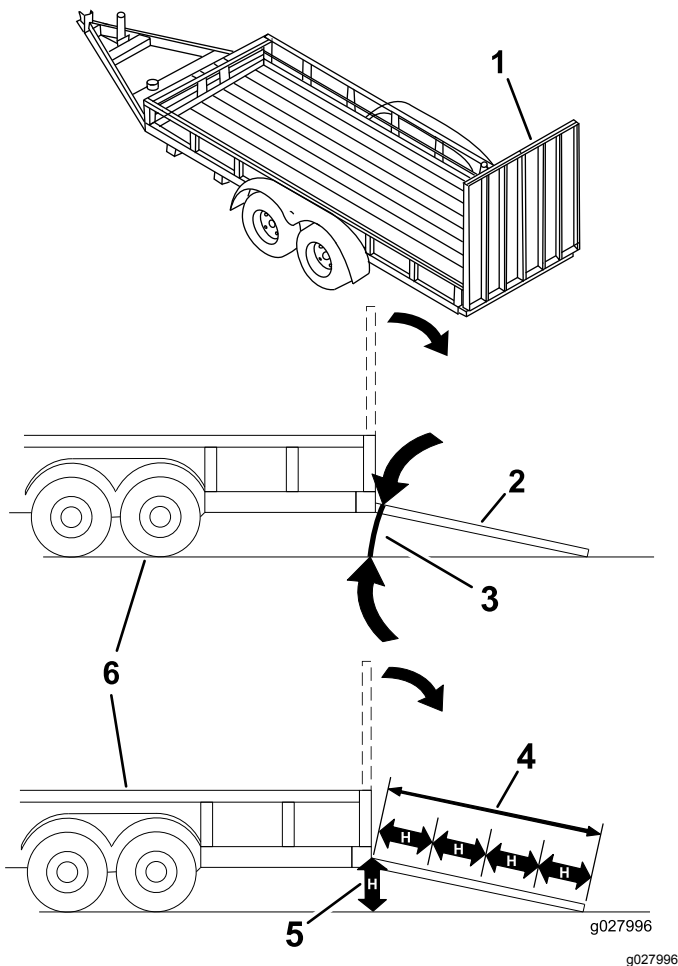


Figure 21

1. Full-width ramp in stowed position
2. Side view of full-width ramp in loading position
3. Not greater than 15 degrees
4. Ramp is at least four times (4X) as long as the height of the trailer or truck bed to the ground
5. H= height of the trailer or truck bed to the ground
6. Trailer

## **Stopping**

If you must stop the machine's forward motion while mowing, a clump of grass clippings may drop onto your lawn. To avoid this, move onto a previously cut area with the blades engaged or you can disengage the mower deck while moving forward.

## **Keeping the Underside of the Mower Clean**

Clean clippings and dirt from the underside of the mower after each use. If grass and dirt build up inside the mower, cutting quality will eventually become unsatisfactory.

## **Maintaining the Blade(s)**

Maintain a sharp blade throughout the cutting season because a sharp blade cuts cleanly without tearing or shredding the grass blades. Tearing and shredding turns grass brown at the edges, which slows growth and increases the chance of disease. Check the mower blades after each use for sharpness, and for any wear or damage. File down any nicks and sharpen the blades as necessary. If a blade is damaged or worn, replace it immediately with a genuine Toro replacement blade.

# Maintenance

**Note:** Determine the left and right sides of the machine from the normal operating position.

## Recommended Maintenance Schedule(s)

Maintenance Service Interval	Maintenance Procedure
After the first 50 hours	<ul style="list-style-type: none"><li>• Change the oil and filters for the hydraulic system, and bleed the system.</li></ul>
Before each use or daily	<ul style="list-style-type: none"><li>• Check the air cleaner for dirty, loose or damaged parts.</li><li>• Check the engine-oil level.</li><li>• Check the cutting blades.</li><li>• Inspect the grass deflector for damage.</li></ul>
After each use	<ul style="list-style-type: none"><li>• Check and clean the front of the mower.</li><li>• Clean the mower housing.</li></ul>
Every 25 hours	<ul style="list-style-type: none"><li>• Grease all the lubrication points.</li><li>• Check tire pressure.</li><li>• Check the oil level in the expansion tank.</li><li>• Check the belts for wear/cracks.</li></ul>
Every 50 hours	<ul style="list-style-type: none"><li>• Service the paper element (more often under extremely dusty, dirty conditions).</li></ul>
Every 100 hours	<ul style="list-style-type: none"><li>• Replace the paper element (more often under extremely dusty, dirty conditions).</li><li>• Change the engine oil and the engine-oil filter.</li><li>• Clean the blower housing (more often under extremely dusty, dirty conditions).</li><li>• Check the in-line fuel filter.</li><li>• Replace the emissions filter.</li></ul>
Every 200 hours	<ul style="list-style-type: none"><li>• Check spark plug(s) condition and gap.</li><li>• Replace the in-line fuel filter.</li></ul>
Every 400 hours	<ul style="list-style-type: none"><li>• Change the oil and filters for the hydraulic system, and bleed the system.</li></ul>
Every 500 hours	<ul style="list-style-type: none"><li>• Replace the spark plug(s).</li></ul>
Before storage	<ul style="list-style-type: none"><li>• Charge the battery and disconnect battery cables.</li><li>• Perform all maintenance procedures listed above before storage.</li><li>• Paint any chipped surfaces.</li></ul>

**Important:** Refer to your engine operator's manual for additional maintenance procedures.

### **▲ CAUTION**

If you leave the key in the ignition switch, someone could accidentally start the engine and seriously injure you or other bystanders.

Remove the key from the ignition and disconnect the wire from the spark plug before you do any maintenance. Set the wire aside so that it does not accidentally contact the spark plug.

# Pre-Maintenance Procedures

## Raising the Seat

Make sure that the parking brake is engaged, and lift the seat forward.

The following components can be accessed by raising the seat:

- Serial plate
- Service decal
- Seat-adjustment bolts
- Fuel filter
- Battery and battery cables

## Raising the Front of the Machine

If the front of the machine needs to be raised, use the very front edge as show in [Figure 22](#).

**Important:** To prevent damage to the steering mechanism, ensure the very front edge of the machine is used for jacking points.

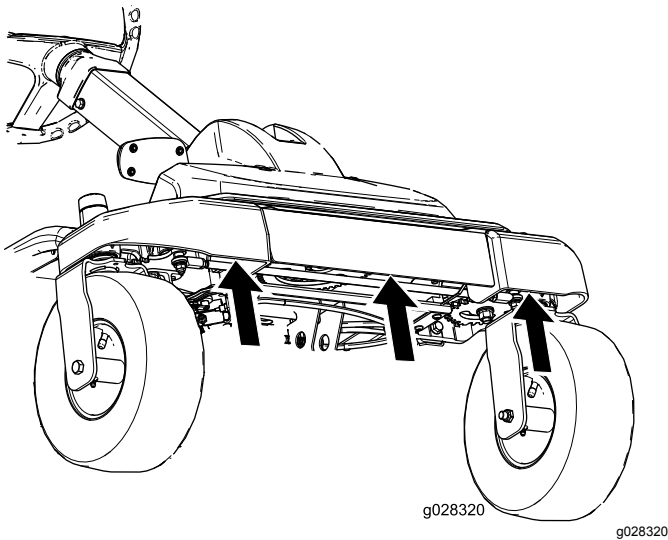


Figure 22

# Lubrication

## Greasing the Bearings

**Service Interval:** Every 25 hours—Grease all the lubrication points.

**Grease Type:** No. 2 general-purpose, lithium-based grease

1. Park the machine on a level surface, and disengage the blade-control switch.
2. Ensure the parking brake is engaged, stop the engine, remove the key, and wait for all moving parts to stop before leaving the operating position.
3. Clean the grease fittings ([Figure 23](#) and [Figure 24](#)) with a rag.

**Note:** Make sure to scrape any paint off of the front of the fitting(s).

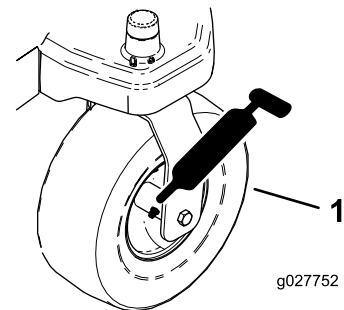


Figure 23

1. Front caster tire

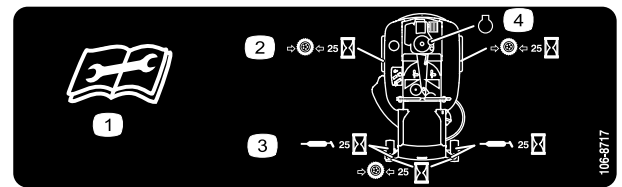


Figure 24

Located on the seat-pan underside

1. Read the instructions before servicing or performing maintenance
2. Check the tire pressure every 25 operating hours
3. Grease every 25 operating hours
4. Engine

4. Connect a grease gun to each fitting ([Figure 23](#) and [Figure 24](#)).
5. Pump grease into the fittings until grease begins to ooze out of the bearings.

# Engine Maintenance

## Servicing the Air Cleaner

**Service Interval:** Before each use or daily—Check the air cleaner for dirty, loose or damaged parts.

Every 50 hours—Service the paper element (more often under extremely dusty, dirty conditions).

Every 100 hours—Replace the paper element (more often under extremely dusty, dirty conditions).

This engine is equipped with a replaceable, high density paper air-cleaner element. Check the air cleaner daily or before starting the engine. Check for a buildup of dirt and debris around the air-cleaner system. Keep this area clean. Also, check for loose or damaged components. Replace all bent or damaged air-cleaner components.

**Note:** Operating the engine with loose or damaged air-cleaner components could allow unfiltered air into the engine, causing premature wear and failure.

**Note:** Service the air cleaner more often under extremely dusty, dirty conditions.

1. Rotate the latches outward.
2. Remove the cover to access the air-cleaner element (Figure 25).
3. Remove the paper element.
4. Gently tap the paper element to dislodge dirt.

**Note:** Do not wash the paper element or use pressurized air, as this will damage the element.

**Note:** Replace a dirty, bent, or damaged element. Handle the new element carefully; do not use if the sealing surfaces are bent or damaged.

5. Clean the air-cleaner base as required, and check the condition.
6. Install the paper element onto the air-cleaner base.
7. Install the cover, and secure it with the latches (Figure 25).

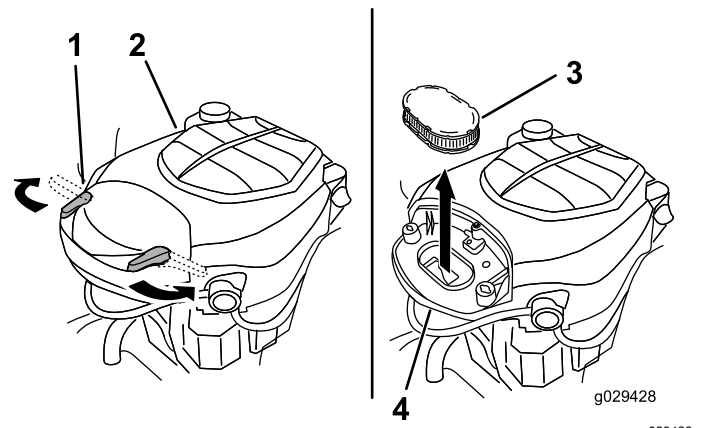


Figure 25

1. Air-cleaner latch
2. Engine
3. Paper element
4. Air-cleaner base

## Servicing the Engine Oil

**Oil Type:** Detergent oil (API service SJ or higher)

**Crankcase Capacity:** 1.9 L (64 oz) when the filter is changed

Viscosity: See the table below.

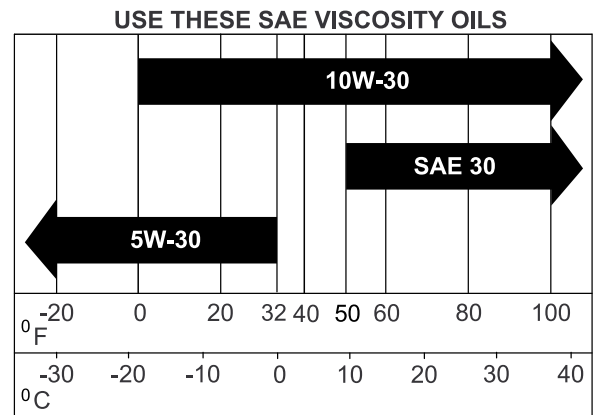


Figure 26

## Checking the Engine-Oil Level

**Service Interval:** Before each use or daily—Check the engine-oil level.

1. Park the machine on a level surface, disengage the blade-control switch, stop the engine, and remove the key.
2. Make sure the engine is stopped, level, and is cool, so the oil has time to drain into the sump.
3. Check the engine-oil level (Figure 27).

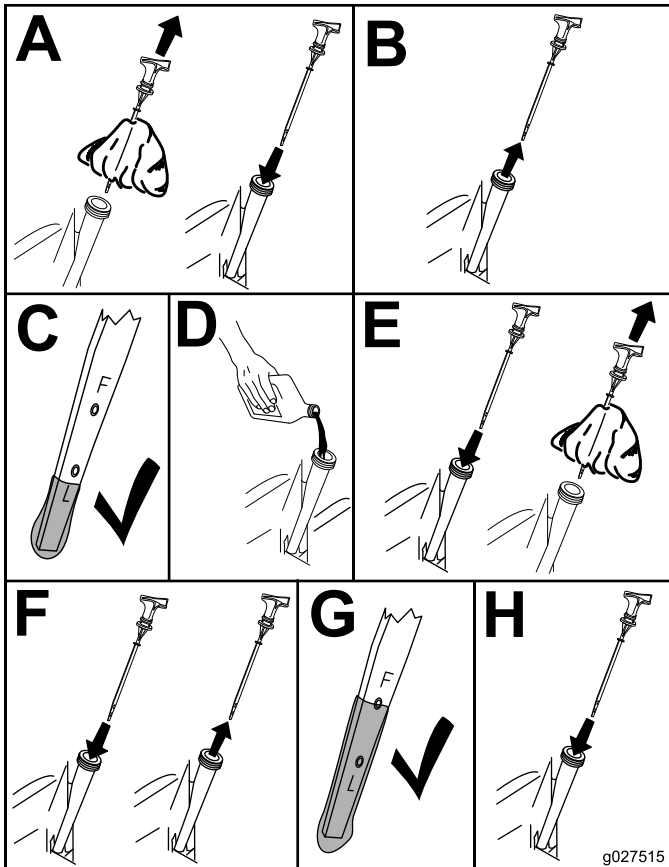


Figure 27

3. Stop the engine, remove the key, and wait for all moving parts to stop before leaving the operating position.

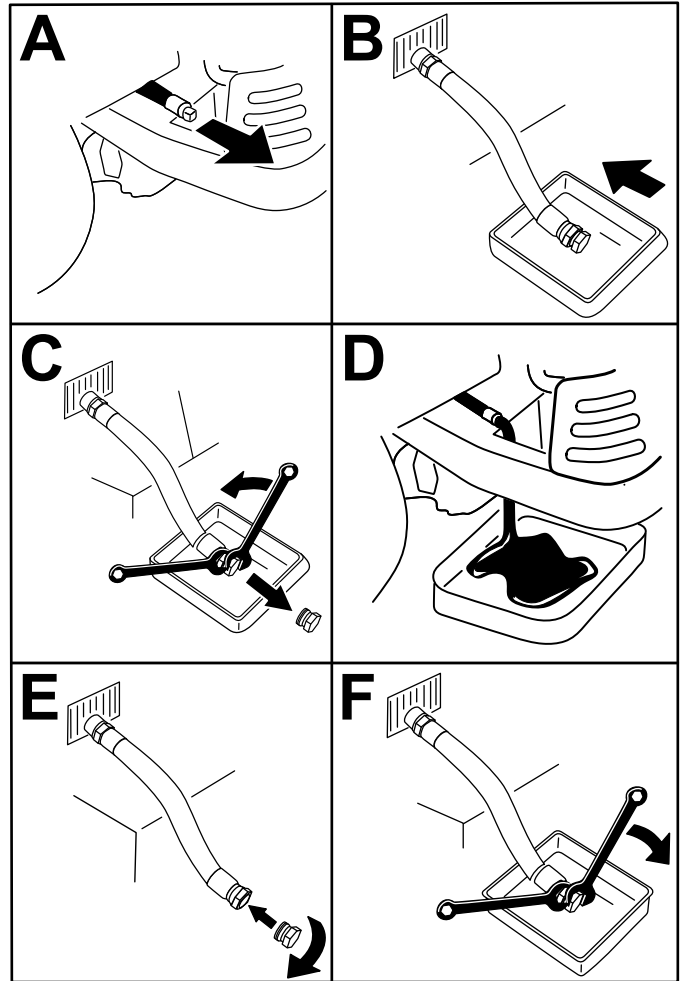


Figure 28

4. Torque the plug to 14 N-m (125 in-lb).

## Changing the Engine Oil and the Engine-Oil Filter

**Service Interval:** Every 100 hours—Change the engine oil and the engine-oil filter.

**Note:** The drain plug is attached to the drain hose.

**Note:** Dispose of the used oil at a recycling center.

Fill with oil as specified in the “Viscosity Grades” table (Figure 26).

1. Park the machine, so that the drain side is slightly lower than the opposite side, to ensure that the oil drains completely.
2. Disengage the blade-control switch and move the motion controls outward to the park position.

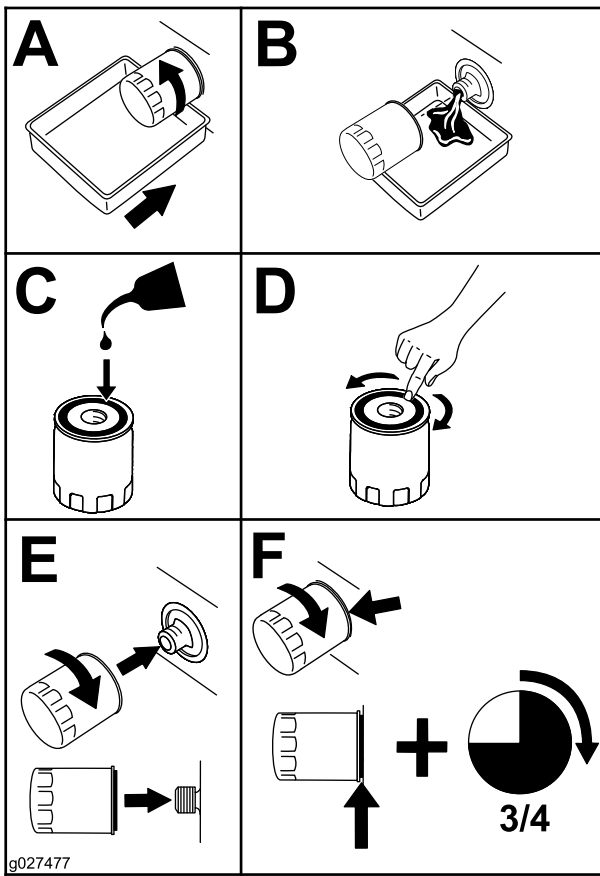


Figure 29

5. Slowly pour approximately 80% of the specified oil into the filler tube (Figure 30).

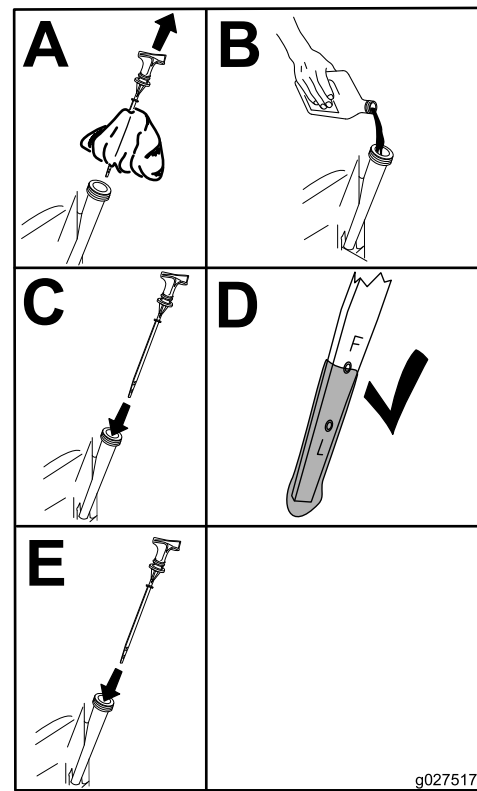


Figure 30

## Servicing the Spark Plug

**Service Interval:** Every 200 hours—Check spark plug(s) condition and gap.

Every 500 hours—Replace the spark plug(s).

The spark plug is RFI compliant. Equivalent alternate brand plugs can also be used.

**Type:** Champion XC12YC (or equivalent)

**Air Gap:** 0.76 mm (0.03 inch)

## Removing the Spark Plug

1. Disengage the blade-control switch, move the motion controls outward to the park position, stop the engine, and remove the key.
2. Before removing the spark plug(s), clean the area around the base of the plug to keep dirt and debris out of the engine.
3. Remove the spark plug (Figure 31).

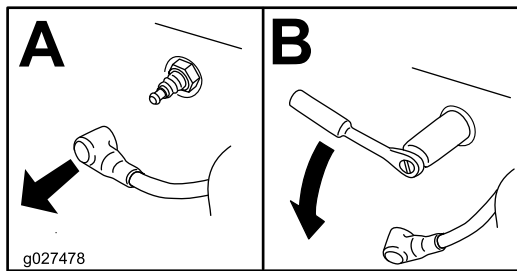


Figure 31

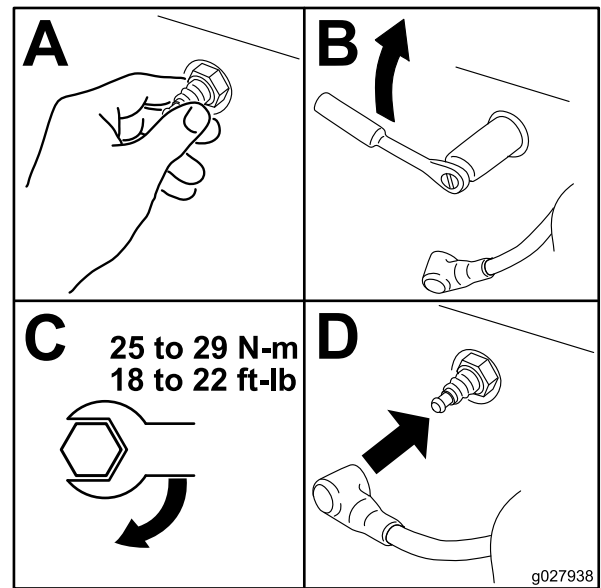


Figure 33

## Checking the Spark Plug

**Important:** Do not clean the spark plug(s). Always replace the spark plug(s) when it has: a black coating, worn electrodes, an oily film, or cracks.

**Note:** If you see light brown or gray on the insulator, the engine is operating properly. A black coating on the insulator usually means the air cleaner is dirty.

Set the gap to 0.76 mm (0.030 inch).

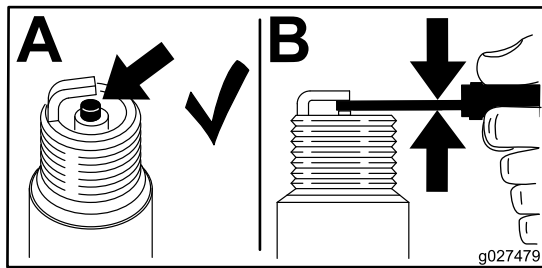


Figure 32

## Installing the Spark Plug

Tighten the spark plug to 25 to 29 N-m (18 to 22 ft-lb).

## Cleaning the Blower Housing

To ensure proper cooling, make sure the grass screen, cooling fins, and other external surfaces of the engine are kept clean at all times.

Annually, or every 100 hours of operation (more often under extremely dusty, dirty conditions), remove the blower housing, and any other cooling shrouds. Clean the cooling fins and external surfaces as necessary. Make sure the cooling shrouds are installed. Torque the blower housing screws to 7.5 N-m (5.5 ft-lb).

**Important:** Operating the engine with a blocked grass screen, dirty or plugged cooling fins, and/or cooling shrouds removed, will cause engine damage due to overheating.

# Fuel System Maintenance

## ⚠ DANGER

In certain conditions, gasoline is extremely flammable and highly explosive. A fire or explosion from gasoline can burn you and others and can damage property.

- Perform any fuel related maintenance when the engine is cold. Do this outdoors in an open area. Wipe up any gasoline that spills.
- Never smoke when draining gasoline, and stay away from an open flame or where a spark may ignite the gasoline fumes.

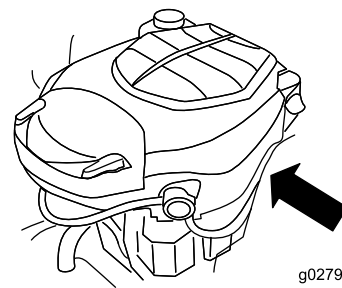
## Replacing the In-Line Fuel Filter

**Service Interval:** Every 100 hours/Yearly (whichever comes first)—Check the in-line fuel filter.

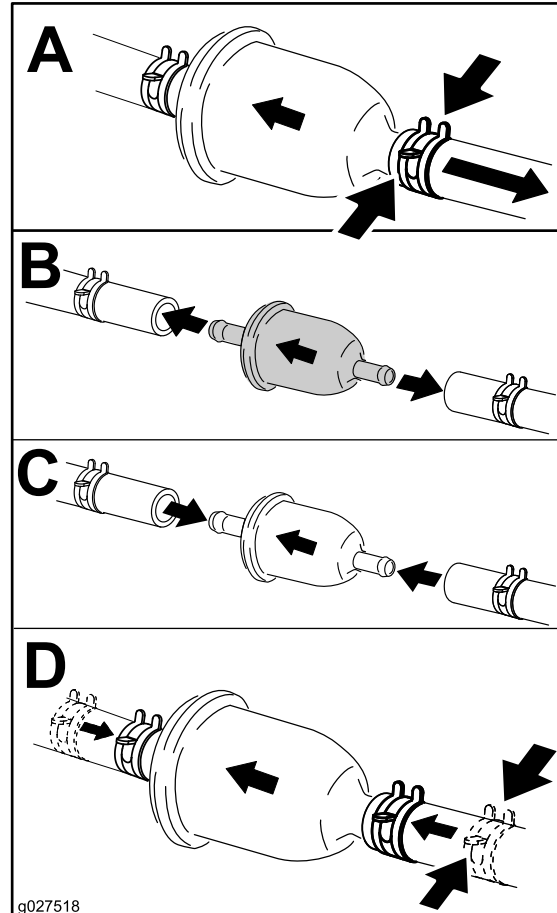
Every 200 hours/Every 2 years (whichever comes first)—Replace the in-line fuel filter.

Never install a dirty filter if it is removed from the fuel line.

1. Park the machine on a level surface and disengage the blade-control switch.
2. Ensure the brake is engaged, stop the engine, remove the key, and wait for all moving parts to stop before leaving the operating position.



g027959



g027518

Figure 34

## Servicing the Emissions Filter

**Service Interval:** Every 100 hours/Yearly (whichever comes first)

**Note:** This machine is equipped with a maintenance free emissions canister and a serviceable emissions filter.

Locate the emissions filter and replace it with a new one (Figure 35).

# Electrical System Maintenance

## WARNING

### CALIFORNIA Proposition 65 Warning

Battery posts, terminals, and related accessories contain lead and lead compounds, chemicals known to the State of California to cause cancer and reproductive harm. Wash hands after handling.

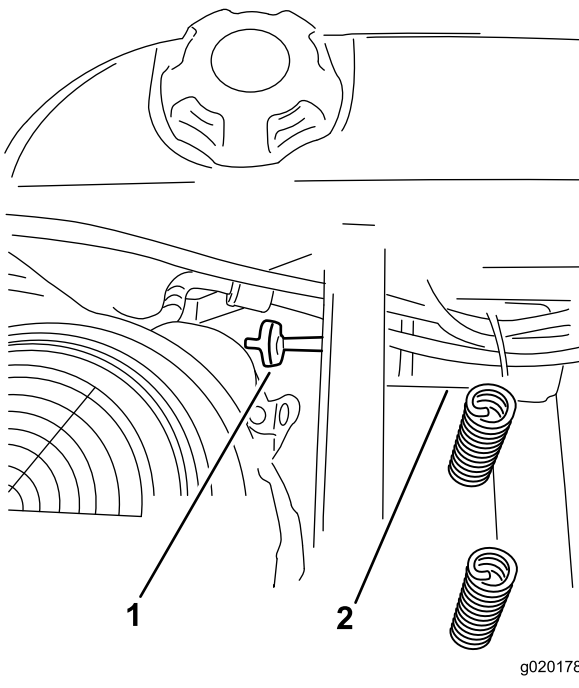


Figure 35

1. Emissions filter                      2. Emissions canister

## Charging the Battery

## Removing the Battery

### ⚠ WARNING

Battery terminals or metal tools could short against metal machine components causing sparks. Sparks can cause the battery gasses to explode, resulting in personal injury.

- When removing or installing the battery, do not allow the battery terminals to touch any metal parts of the machine.
  - Do not allow metal tools to short between the battery terminals and metal parts of the machine.
1. Park the machine on a level surface and disengage the blade-control switch.
  2. Ensure the parking brake is engaged, stop the engine, remove the key, and wait for all moving parts to stop before leaving the operating position.
  3. Raise the seat to access the battery.
  4. Disconnect the negative (black) ground cable from the battery post (Figure 36). Retain all fasteners.

## ⚠ WARNING

Incorrect battery cable routing could damage the machine and cables causing sparks. Sparks can cause the battery gasses to explode, resulting in personal injury.

- Always disconnect the negative (black) battery cable before disconnecting the positive (red) cable.
  - Always connect the positive (red) battery cable before connecting the negative (black) cable.
5. Slide the rubber cover up the positive (red) cable. Disconnect the positive (red) cable from the battery post (Figure 36). Retain all fasteners.
  6. Remove the battery hold-down (Figure 36) and lift the battery from the battery tray.

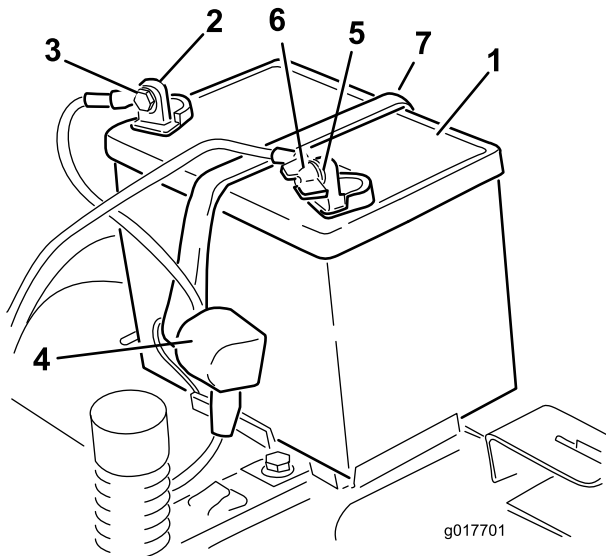


Figure 36

1. Battery
2. Positive battery post
3. Bolt, washer, and nut
4. Terminal boot
5. Negative battery post
6. Wing nut, washer, and bolt
7. Battery hold-down

disconnect the charger leads from the battery posts (Figure 37).

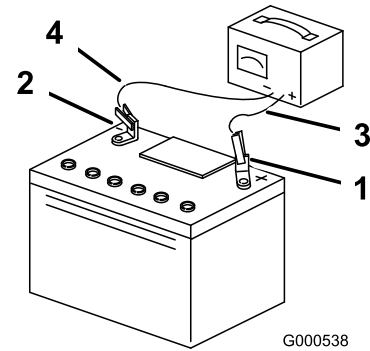


Figure 37

1. Positive battery post
2. Negative battery post
3. Red (+) charger lead
4. Black (-) charger lead

## Installing the Battery

1. Position the battery in the tray (Figure 36).
2. Install the positive (red) battery cable to the positive (+) battery terminal using the fasteners removed previously.
3. Install the negative battery cable to the negative (-) battery terminal using the fasteners removed previously.
4. Slide the red terminal boot onto the positive (red) battery post.
5. Secure the battery with the hold-down (Figure 36).
6. Lower the seat.

## Charging the Battery

**Service Interval:** Before storage—Charge the battery and disconnect battery cables.

1. Remove the battery from the chassis; refer to Removing the Battery.
2. Charge the battery for a minimum of 1 hour at 6 to 10 amps. Do not overcharge the battery.
3. When the battery is fully charged, unplug the charger from the electrical outlet, then

## Servicing the Fuses

The electrical system is protected by fuses. It requires no maintenance; however, if a fuse blows, check the component/circuit for a malfunction or short.

Fuse:

- Main F1-30 amp, blade-type
  - Charge Circuit F2-25 amp, blade-type
1. Remove the screws securing the control panel to the machine. Retain all fasteners
  2. Lift the control pane up to access the main wiring harness and fuse block (Figure 38).
  3. To replace a fuse, pull out on the fuse to remove it (Figure 38).

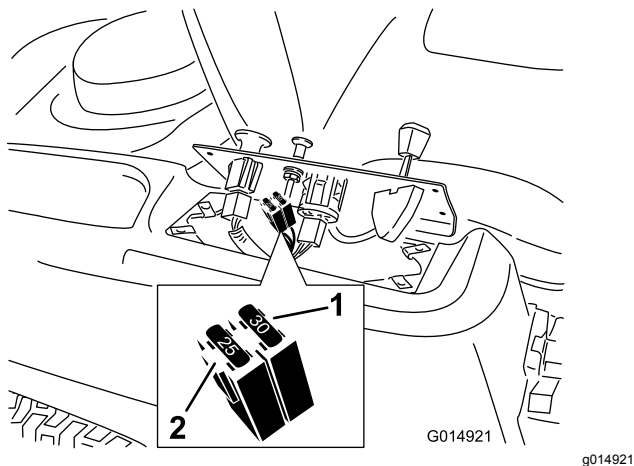


Figure 38

1. Main-30 amp
2. Charge circuit-25 amp

4. Return the control panel to its original position. Use the screws removed previously to secure the panel to the machine.

## Drive System Maintenance

### Checking the Tire Pressure

**Service Interval:** Every 25 hours—Check tire pressure.

Maintain the air pressure in the front and rear tires as specified. Uneven tire pressure can cause uneven cut. Check the pressure at the valve stem (Figure 39). Check the tires when they are cold to get the most accurate pressure reading.

Refer to the maximum pressure suggested by the tire manufacturer on the sidewall of the caster wheel tires.

Inflate the rear drive wheel tires to 90 kPa (13 psi).

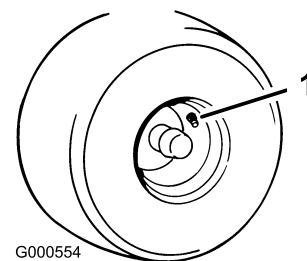


Figure 39

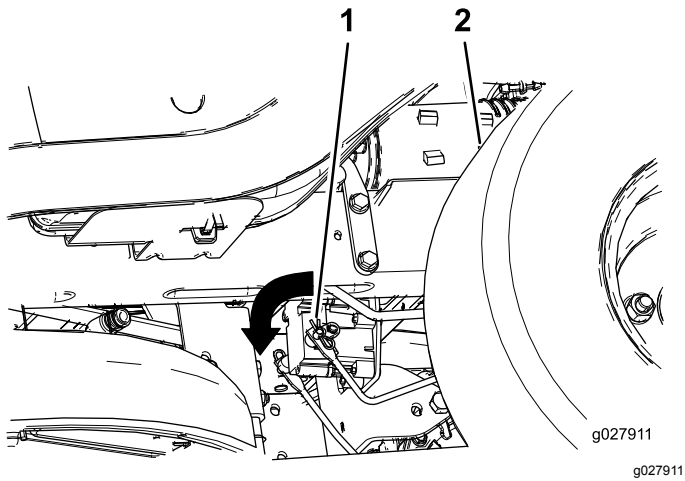
1. Valve stem

## Releasing the Electric Brake

The electric brake releases by manually rotating the link arms forward. Once the electric brake is energized the brake will reset.

To release the brake:

1. Turn the ignition key to the Off position or disconnect the battery.
2. Locate the shafts where the brake-link arms are connected on both sides of the electric brake (Figure 40).
3. Rotate the shafts forward to release the brakes.



**Figure 40**

1. Rotate brake-link arm forward on the electric-brake-control module
2. Left rear tire

# Hydraulic System Maintenance

Hydraulic System Oil Specification

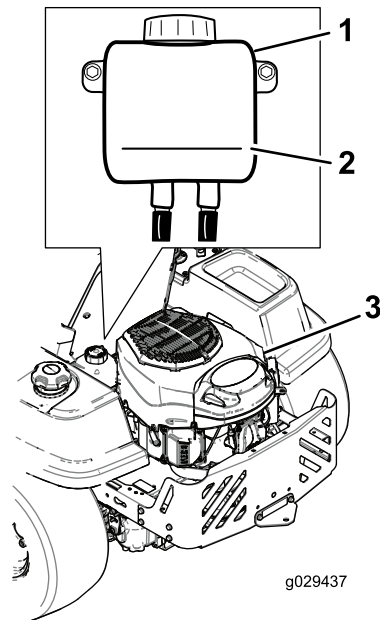
**Oil Type:** Toro HYPR-OIL® 500 or 20w-50 motor oil.

**System Capacity:** approximately 4.495 L (152 oz) with a filter change.

## Checking the Hydraulic Oil Level

**Service Interval:** Every 25 hours

Check expansion reservoir and if necessary add the specified oil to the **Full Cold** line.



**Figure 41**

- |                        |           |
|------------------------|-----------|
| 1. Expansion reservoir | 3. Engine |
| 2. Full cold line      |           |

# Changing the Hydraulic System Oil and Filters

**Service Interval:** After the first 50 hours

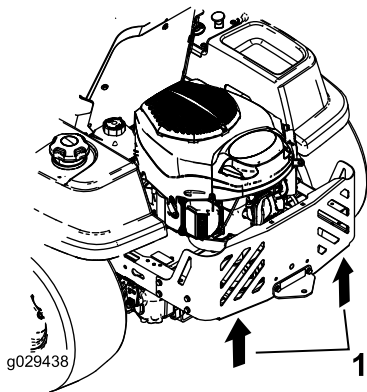
Every 400 hours

**Important:** The bleeding process is repeated until the oil remains at the Full Cold line in the reservoir after purging. *Failure to properly perform this procedure can result in irreparable damage to the transaxle drive system.*

**Note:** The filter and oil are changed at the same time. **Do Not** reuse oil. Once the new filter is installed and oil is added any air in the system must be purged.

## Removing Hydraulic System Filters

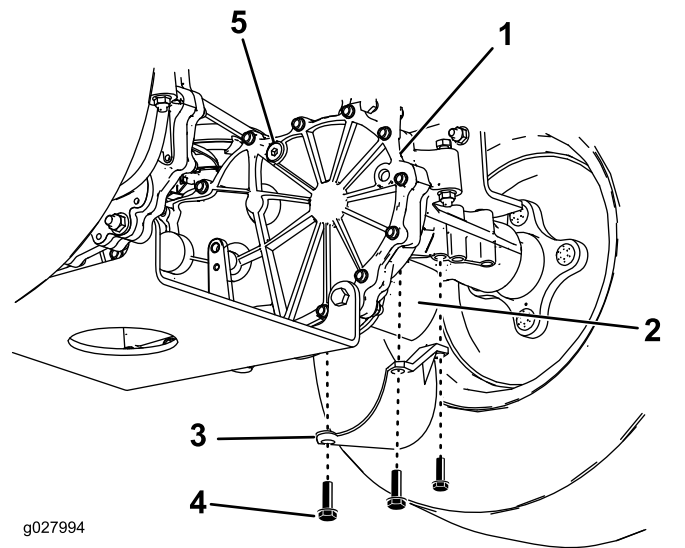
1. Stop engine, wait for all moving parts to stop, and allow engine to cool. Remove the key and engage the parking brake.
2. Raise the rear of machine up and support with jack stands (or equivalent support) just high enough to allow drive wheels to turn freely.



**Figure 42**

1. Jacking points

3. Locate the filter and filter guards on each transaxle drive system (Figure 43). Remove three screws securing the filter guard and guard.



**Figure 43**

Right side shown

- |                    |              |
|--------------------|--------------|
| 1. Transaxle drive | 4. Screws    |
| 2. Oil filter      | 5. Vent plug |
| 3. Filter guard    |              |

4. Carefully clean area around filters. It is important that no dirt or contamination enter hydraulic system.
5. Place a container below the filter to catch the oil that drains when the filter and vent plugs are removed.
6. Locate and remove the vent plug on each transmission
7. Unscrew the filter to remove and allow oil to drain from drive system.

Repeat this procedure for both filters.

# Installing the Hydraulic System Filters

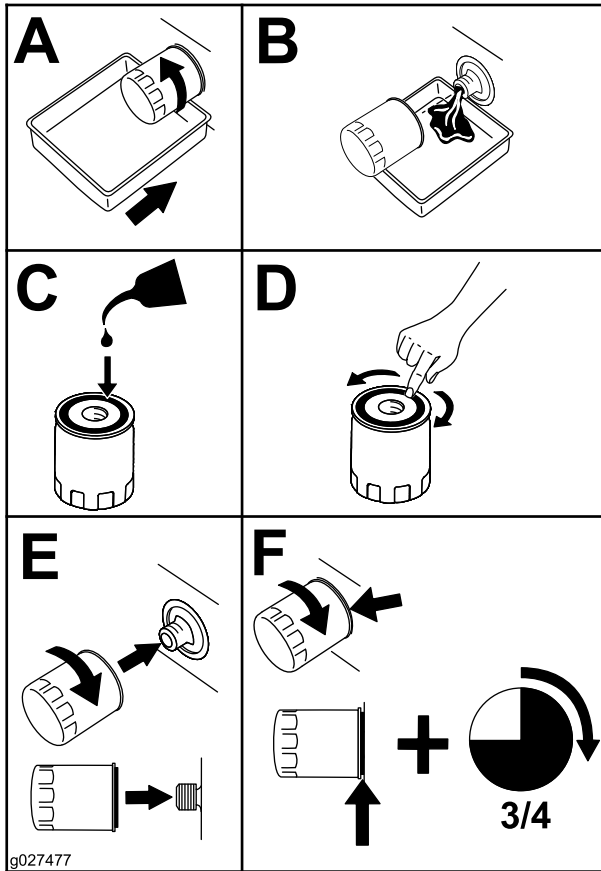


Figure 44

1. Apply a thin coat of the specified oil on the surface of the rubber seal of each filter.
2. Turn the filter clockwise until rubber seal contacts the filter adapter then tighten the filter an additional 3/4 to 1 full turn. Repeat for the other filter
3. Install the filter guards over each filter as previously removed. Use the three screws to secure the filter guards.
4. Verify the vent plugs are removed before adding the oil (Figure 43).
5. Slowly pour the specified oil through expansion reservoir until oil comes out of **one** of the vent plug holes. Stop and install that vent plug. Torque the plug to 20.3 N-m (180 in-lb).
6. Continue to add oil through the expansion reservoir until oil comes out of the remaining vent plug hole on the second transmission. Stop and install that vent plug. Torque the plug to 20.3 N-m (180 in-lb).
7. Continue to add oil through the expansion reservoir until it reaches the Full Cold line on the expansion reservoir.

8. Proceed to the Bleeding the Hydraulic System section.

**Important:** Failure to perform the *Bleeding the Hydraulic System* procedure after changing hydraulic filters and oil can result in irreparable damage to the transaxle drive system.

## Bleeding the Hydraulic System

1. Enter the operator's position. Start engine and move throttle control ahead to 1/2 throttle position. Disengage parking brake.
  - A. Move the bypass levers into the pushing the machine position; refer to [Pushing the Machine by Hand \(page 22\)](#). With the bypass valves open and the engine running, slowly move the motion control pedal in both forward and reverse (5 or 6 times).
  - B. Move the bypass levers into the operating the machine position. With the bypass valve closed and the engine running, slowly move the traction-control pedal in both forward and reverse directions (5 to 6 times).
  - C. Stop the engine and check the oil level in the expansion reservoir. Add the specified oil as until it reaches the Full Cold line on the expansion reservoir.
2. Repeat step 1 until all the air is completely purged from the system.

When the transaxle operates at normal noise levels and moves smoothly forward and reverse at normal speeds, then the transaxle is considered purged.

3. Check the oil level in the expansion reservoir one last time. Add the specified oil as until it reaches the Full Cold line on the expansion reservoir if necessary.

# Mower Maintenance

## Servicing the Cutting Blades

Maintain sharp blades throughout the cutting season because sharp blades cut cleanly without tearing or shredding the grass blades. Tearing and shredding turns grass brown at the edges, which slows growth and increases the chance of disease.

Check the cutter blades daily for sharpness, and for any wear or damage. File down any nicks and sharpen the blades as necessary. If a blade is damaged or worn, replace it immediately with a genuine Toro replacement blade. For convenient sharpening and replacement, you may want to keep extra blades on hand.

### **⚠ WARNING**

**A worn or damaged blade can break, and a piece of the blade could be thrown into the operator's or bystander's area, resulting in serious personal injury or death.**

- Inspect the blade periodically for wear or damage.
- Replace a worn or damaged blade.

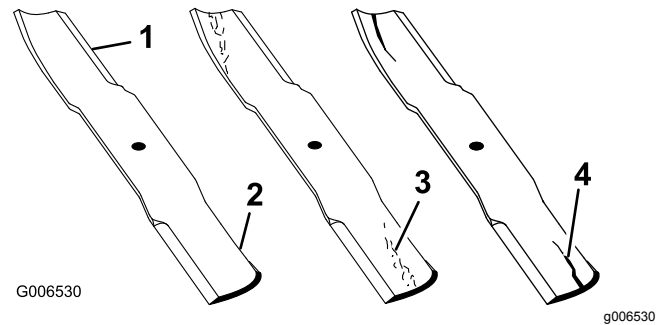
## Before Inspecting or Servicing the Blades

Park the machine on a level surface, disengage the blade-control switch, and ensure the parking brake is engaged. Stop the engine and remove the key.

## Inspecting the Blades

**Service Interval:** Before each use or daily—Check the cutting blades.

1. Inspect the cutting edges (Figure 45). If the edges are not sharp or have nicks, remove and sharpen the blades; refer to Sharpening the Blades.
2. Inspect the blades, especially the curved area (Figure 45). If you notice any damage, wear, or a slot forming in this area (items 3 and 4 in Figure 45), immediately install a new blade.



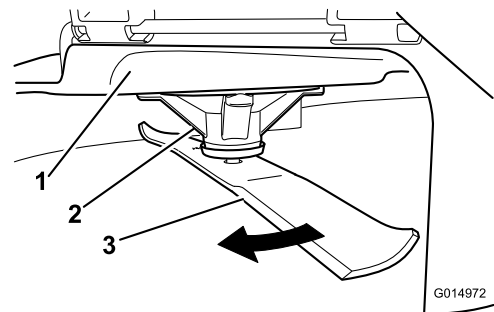
**Figure 45**

1. Cutting edge
2. Curved area
3. Wear/slot forming
4. Damage

## Checking for Bent Blades

**Note:** The machine must be on a level surface for the following procedure.

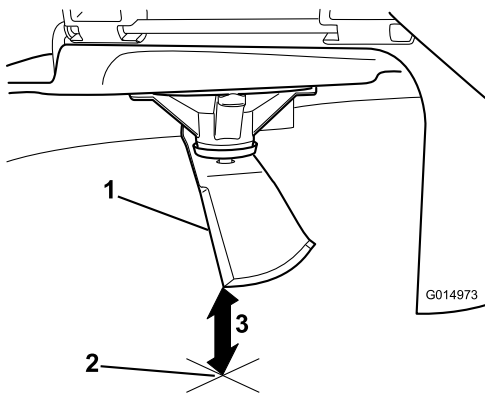
1. Raise the mower deck to the highest height-of-cut position; also considered the 'transport' position.
2. While wearing thickly padded gloves or other adequate hand protection slowly rotate blade to be measured into a position that allows effective measurement of the distance between the cutting edge and the level surface the machine is on.



**Figure 46**

1. Deck
2. Spindle housing
3. Blade

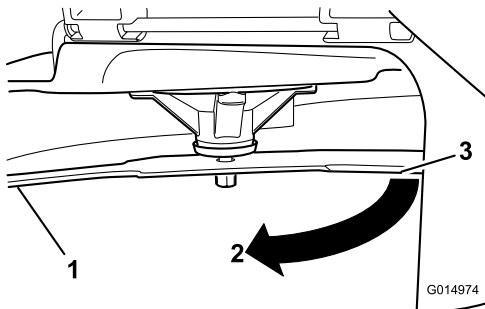
3. Measure from the tip of the blade to the flat surface here.



**Figure 47**

1. Blade, in position for measuring
2. Level surface
3. Measured distance between blade and surface (A)

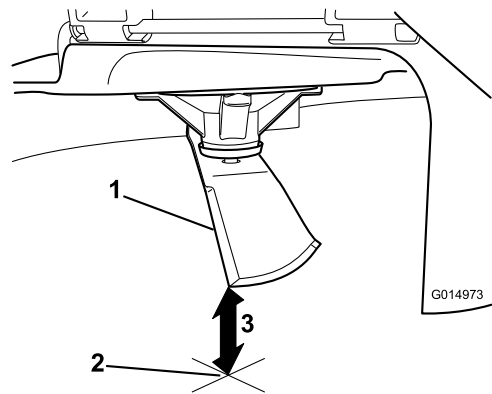
4. Rotate the same blade 180 degrees so that the opposing cutting edge is now in the same position.



**Figure 48**

1. Blade, side previously measured
2. Measurement position used previously
3. Opposing side of blade being moved into measurement position

5. Measure from the tip of the blade to the flat surface here. The variance should be no more than 1/8 inch (3mm).



**Figure 49**

1. Opposing blade edge, in position for measuring
2. Level surface
3. Second measured distance between blade and surface (B)

## **⚠ WARNING**

**A blade that is bent or damaged could break apart and could seriously injure or kill you or bystanders.**

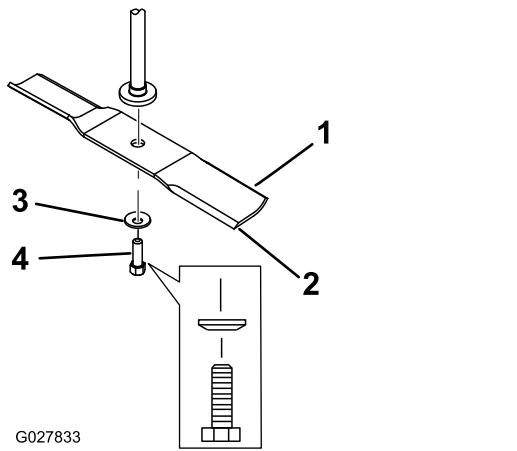
- **Always replace bent or damaged blade with a new blade.**
  - **Never file or create sharp notches in the edges or surfaces of blade.**
- A. If the difference between A and B is greater than 1/8 inch (3mm) replace the blade with a new blade. Refer to Removing the Blades and Installing the Blades.
- Note:** If a bent blade is replaced with a new one and the dimension obtained continues to exceed 1/8 inch (3mm), the blade spindle could be bent. Contact an Authorized Toro Dealer for service.
- B. If the variance is within constraints, move to the next blade..

Repeat this procedure on each blade.

## **Removing the Blades**

The blades must be replaced if a solid object is hit, if the blade is out of balance, or the blade is bent. To ensure optimum performance and continued safety conformance of the machine, use genuine Toro replacement blades. Replacement blades made by other manufacturers may result in non-conformance with safety standards.

Hold the blade end using a rag or thickly-padded glove. Remove the blade bolt, curved washer, and blade from the spindle shaft ([Figure 50](#)).

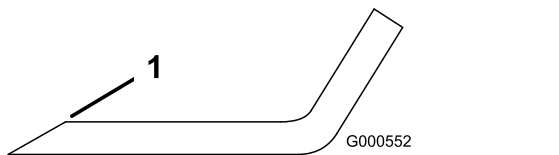


**Figure 50**

- |                       |                  |
|-----------------------|------------------|
| 1. Sail area of blade | 3. Curved washer |
| 2. Blade              | 4. Blade bolt    |

## Sharpening the Blades

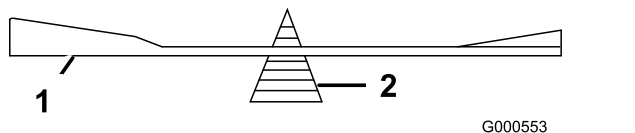
- Use a file to sharpen the cutting edge at both ends of the blade (Figure 51). Maintain the original angle. The blade retains its balance if the same amount of material is removed from both cutting edges.



**Figure 51**

- Sharpen at original angle

- Check the balance of the blade by putting it on a blade balancer (Figure 52). If the blade stays in a horizontal position, the blade is balanced and can be used. If the blade is not balanced, file some metal off the end of the sail area only (Figure 51). Repeat this procedure until the blade is balanced.



**Figure 52**

- |          |             |
|----------|-------------|
| 1. Blade | 2. Balancer |
|----------|-------------|

## Installing the Blades

- Install the blade onto the spindle shaft (Figure 50).

**Important:** The curved part of the blade must be pointing upward toward the inside of the mower to ensure proper cutting.

- Install the curved washer (cupped side toward the blade) and the blade bolt (Figure 50).
- Torque the blade bolt to 35-65 ft-lb (47-88 N-m).

## Leveling the Mower Deck

Check to ensure the mower deck is level any time you install the mower or when you see an uneven cut on your lawn.

The mower deck must be checked for bent blades prior to leveling; any bent blades must be removed and replaced. Refer to the [Checking for Bent Blades \(page 40\)](#) before continuing.

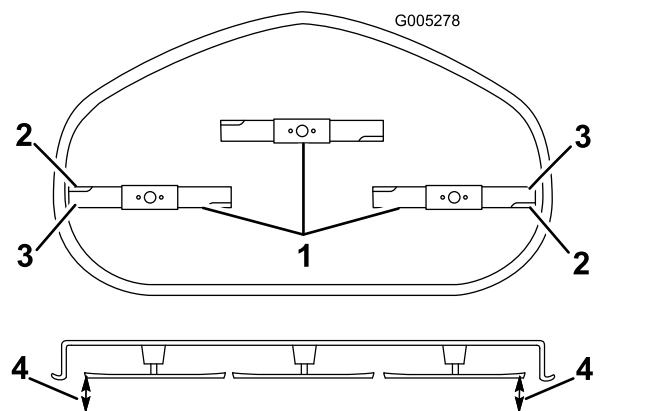
The mower deck must be leveled side-to-side first then the front to rear slope can be adjusted.

Requirements:

- The machine must be on a level surface.
- All four tires must be properly inflated. Refer to [Checking the Tire Pressure \(page 36\)](#).

## Leveling from Side to Side

- Park the machine on a level surface and disengage the blade-control switch.
- Ensure the parking brake is engaged, stop the engine, remove the key, and wait for all moving parts to stop before leaving the operating position.
- Set the height-of-cut lever to middle position.
- Carefully rotate the blade(s) so that they are all side to side (Figure 53).



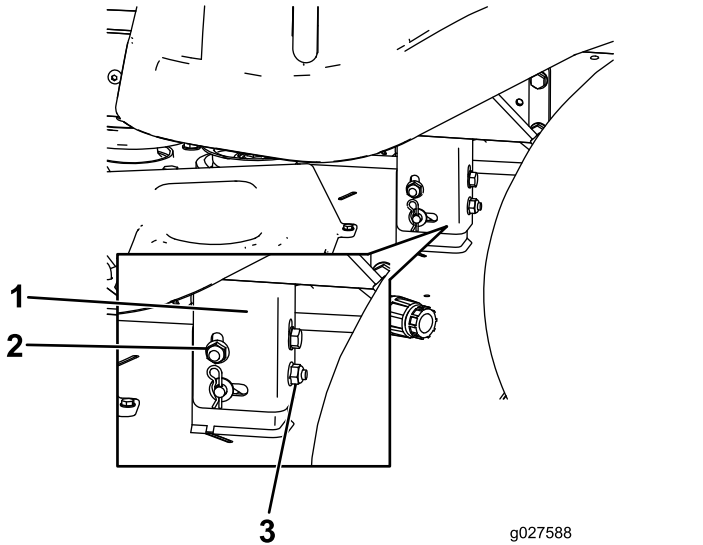
**Figure 53**

Mower decks with 3 blades

- |                           |   |
|---------------------------|---|
| 1. Blade side to side     | 3. Outside cutting edges                                      |
| 2. Sail area of the blade | 4. Measure from the tip of the blade to the flat surface here |

5. Measure between the outside cutting edges and the flat surface (Figure 53). If both measurements are not within 5 mm (3/16 inch), an adjustment is required; continue with this procedure.
6. Move to the left side of the machine.
7. Loosen the side locking nut.
8. Raise or lower the left side of the mower deck by rotating the rear nut. (Figure 54).

**Note:** Rotate the rear nut clockwise to raise the mower deck; rotate the rear nut counter-clockwise to lower the mower deck.



**Figure 54**

1. Hanger bracket
2. Side-locking nut
3. Rear-locking nut

9. Check the side-to-side adjustments again. Repeat this procedure until the measurements are correct.
10. Continue leveling the deck by checking the front-to-rear blade slope; refer to [Adjusting the Front-to-Rear Blade Slope \(page 43\)](#).

## Adjusting the Front-to-Rear Blade Slope

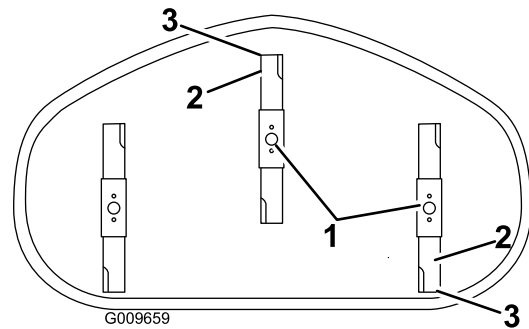
Check the front-to-rear blade level any time you install the mower. If the front of the mower is more than 7.9 mm (5/16 inch) lower than the rear of the mower, adjust the blade level using the following instructions:

1. Park the machine on a level surface and disengage the blade-control switch.
2. Ensure the parking brake is engaged, stop the engine, remove the key, and wait for all moving parts to stop before leaving the operating position.

3. Set the height-of-cut lever to middle position.

**Note:** Check and adjust the side-to-side blade level. If you have not checked the setting; refer to [Leveling from Side to Side \(page 42\)](#).

4. Carefully rotate the blades so they are facing front to rear (Figure 55).

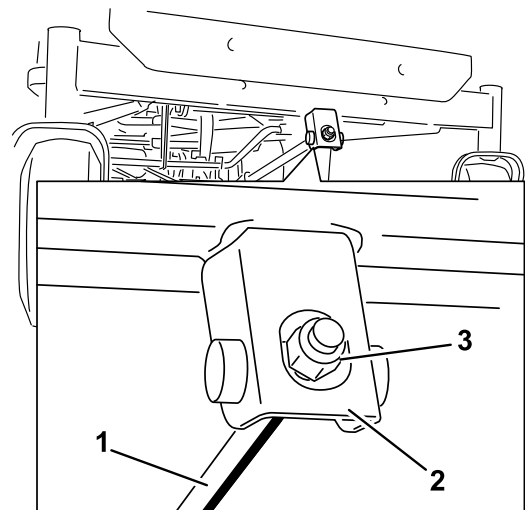


**Figure 55**

Mower Decks with 3 Blades

1. Blades front to rear
2. Outside cutting edges
3. Measure from the tip of the blade to the flat surface here

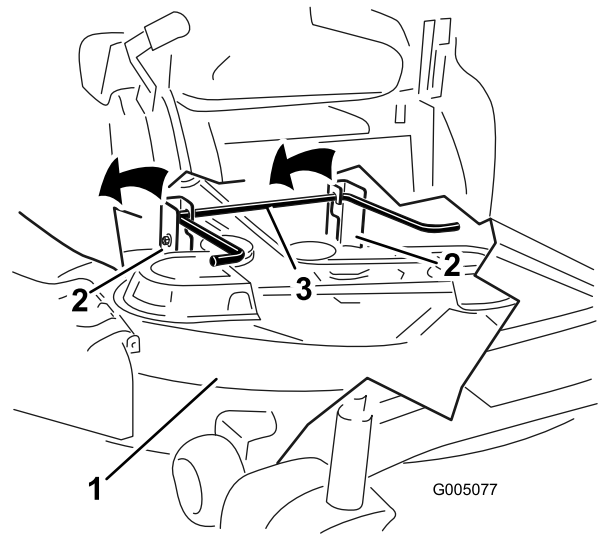
5. Measure from the tip of the front blade to the flat surface and the tip of the rear blade to the flat surface (Figure 55). If the front blade tip is not 1.6-7.9 mm (1/16-5/16 inch) lower than the rear blade tip, adjust the front locknut.
6. To adjust the front-to-rear blade slope, rotate the adjustment nut in the front of the mower (Figure 56).



**Figure 56**

1. Adjusting rod
2. Adjusting block
3. Lock nut

7. To raise the front of the mower, tighten the adjustment nut. To lower the front of the mower, loosen the adjustment nut.
8. After adjustment, check the front-to-rear slope again. Continue adjusting the nut until the front blade tip is 1.6-7.9 mm (1/16-5/16 inch) lower than the rear blade tip (Figure 55).
9. When the front-to-rear blade slope is correct check the side-to-side level of the mower again; refer to [Leveling from Side to Side](#) (page 42).

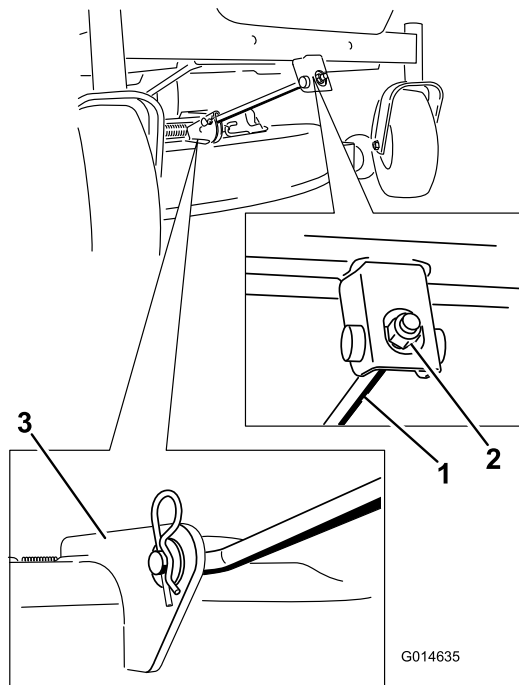


**Figure 58**

1. Mower deck
2. Hanger bracket
3. Rear lift rod

## Removing the Mower

1. Park the machine on a level surface and disengage the blade-control switch.
2. Ensure the parking brake is engaged, stop the engine, remove the key, and wait for all moving parts to stop before leaving the operating position.
3. Lower the height-of-cut lever to the lowest position.
4. Remove the hairpin cotter from the front support rod and remove the rod from the deck bracket (Figure 57). Carefully lower the front of the mower deck to the ground.



**Figure 57**

1. Front support rod
2. Locking nut
3. Deck bracket

5. Using the mower deck handles, lift the mower deck and hanger brackets clear of the rear lift rod and lower the mower carefully to the ground (Figure 58 and Figure 59).

6. Slide the mower deck rearward to remove the mower belt from the engine pulley.
7. Slide the mower deck out from underneath the machine.

**Note:** Retain all parts for future installation.

## Mower Belt Maintenance

### Inspecting the Belts

**Service Interval:** Every 25 hours—Check the belts for wear/cracks.

Check the belts for cracks, frayed edges, burn marks, or any other damage. Replace damaged belts.

### Replacing the Mower Belt

Squealing when the belt is rotating, blades slipping when cutting grass, frayed belt edges, burn marks, and cracks are signs of a worn mower belt. Replace the mower belt if any of these conditions are evident.

1. Park the machine on a level surface and disengage the blade-control switch.
2. Ensure the parking brake is engaged, stop the engine, remove the key, and wait for all moving parts to stop before leaving the operating position.
3. Set the height-of-cut at the lowest cutting position [1-1/2 inch (38 mm)].
4. Using a spring removal tool, (Toro part no. 92-5771), remove the idler spring from the deck

hook to remove tension on the idler pulley and roll the belt off of the pulleys (Figure 59).

### **⚠ WARNING**

The spring is under tension when installed and can cause personal injury.

Be careful when removing the belt.

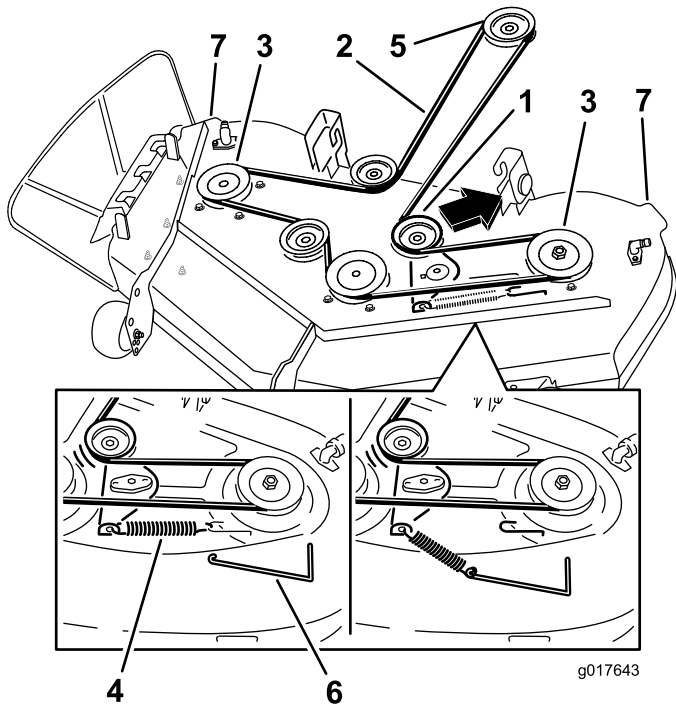


Figure 59

- |                   |                        |
|-------------------|------------------------|
| 1. Idler pulley   | 5. Engine pulley       |
| 2. Mower belt     | 6. Spring removal tool |
| 3. Outside pulley | 7. Mower deck handles  |
| 4. Spring         |                        |

5. Route the new belt around the engine pulley and mower pulleys (Figure 59).
6. Using a spring removal tool, (Toro part no. 92-5771), install the idler spring over the deck hook and placing tension on the idler pulley and mower belt (Figure 59).

## Installing the Mower

1. Park the machine on a level surface and disengage the blade-control switch.
2. Ensure the parking brake is engaged, stop the engine, remove the key, and wait for all moving parts to stop before leaving the operating position.
3. Slide the mower under the machine.
4. Lower the height-of-cut lever to the lowest position.

5. Lift the rear of the mower deck and guide the hanger brackets over the rear lift rod (Figure 58).
6. Attach the front support rod to the mower deck with the clevis pin and hairpin cotter (Figure 57).
7. Install the mower belt onto the engine pulley; refer to Replacing the Mower Belt (page 44).

## Replacing the Grass Deflector

**Service Interval:** Before each use or daily—Inspect the grass deflector for damage.

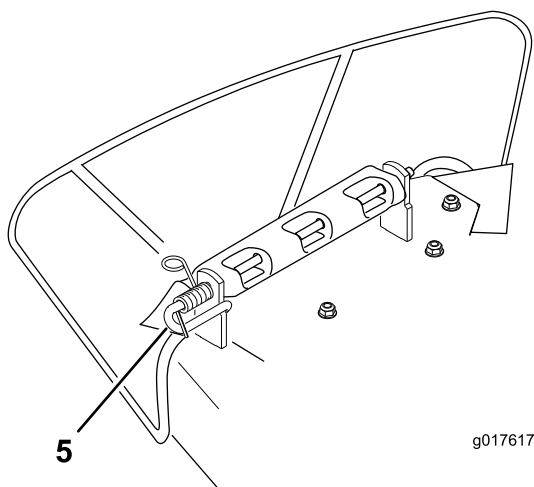
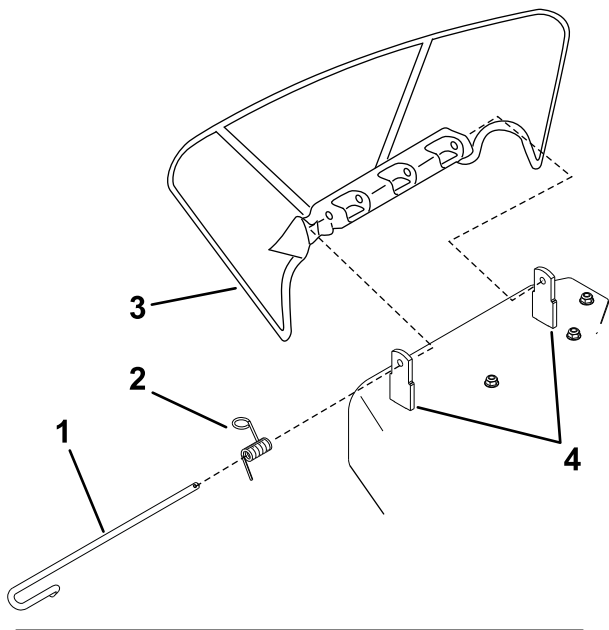
### **⚠ WARNING**

An uncovered discharge opening could allow the lawn mower to throw objects in the operator's or bystander's direction and result in serious injury. Also, contact with the blade could occur.

Never operate the lawn mower unless you install a mulch plate, discharge deflector, or grass collection system.

Inspect the grass deflector for damage before each use. Replace any damaged parts before use.

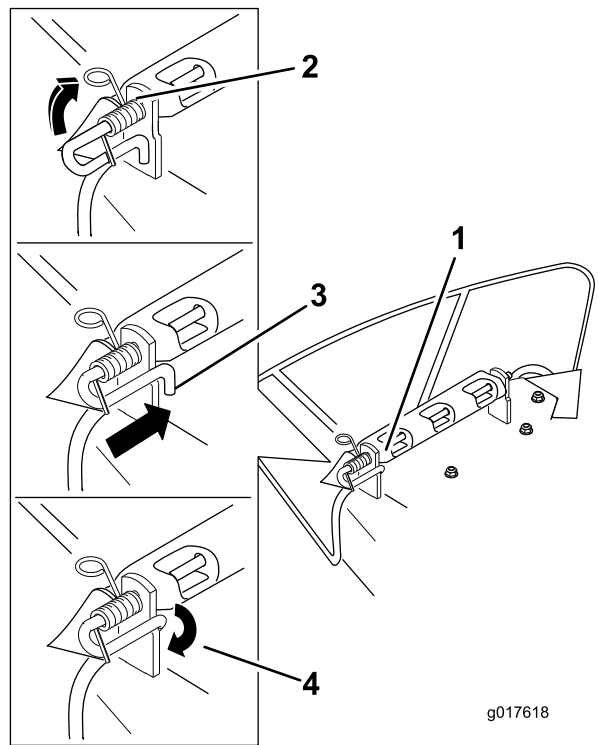
1. Disengage the spring from the notch in the deflector bracket and slide the rod out of the welded deck brackets, spring, and discharge deflector (Figure 60). Remove the damaged or worn discharge deflector.



**Figure 60**

- |              |                                  |
|--------------|----------------------------------|
| 1. Rod       | 4. Deck brackets                 |
| 2. Spring    | 5. Spring installed over the rod |
| 3. Deflector |                                  |

2. Position the new discharge deflector with the bracket ends between the welded brackets on the deck as shown in [Figure 60](#).
3. Install the spring onto the straight end of the rod. Position the spring on the rod as shown in so the shorter spring end is coming from under the rod before the bend and going over the rod as it returns from the bend.
4. Lift the loop end of the spring and place it into the notch on the deflector bracket ([Figure 61](#)).



**Figure 61**

- |   |   |
|---|---|
| 1. Rod and spring assembly installed  | 3. Rod, short end, moved behind mower bracket |
| 2. Loop end of the spring installed into the notch in the deflector bracket | 4. Short end, retained by mower bracket.      |

5. Secure the rod and spring assembly by twisting it so the short end of the rod can be placed behind the front bracket welded to the deck ([Figure 61](#)).

**Important:** The grass deflector must be spring loaded in the down position. Lift the deflector up to test that it snaps to the full down position.

# Cleaning

## Cleaning under the Front of the Machine

**Service Interval:** After each use—Check and clean the front of the mower.

Remove debris under the front of the machine with compressed air or by hand with a brush (Figure 62).

**Note:** Do not use water to clean under the front of the machine, this can cause build up of debris.

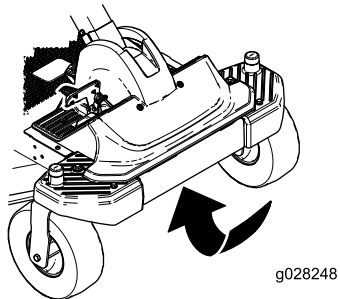


Figure 62

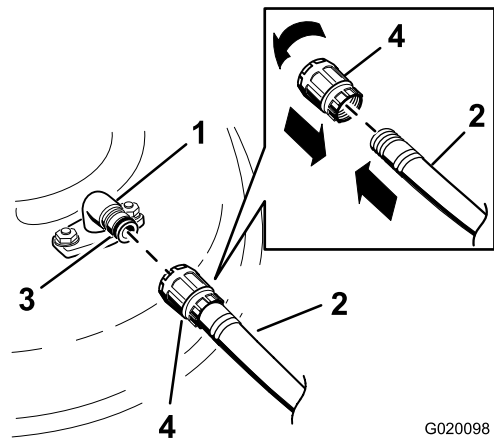


Figure 63

1. Washout fitting
2. Hose
3. O-ring
4. Coupling

4. Lower the mower to the lowest height-of-cut.
5. Sit on the seat and start the engine. Engage the blade-control switch and let the mower run for one to three minutes.
6. Disengage the blade-control switch, stop the engine, and remove the ignition key. Wait for all moving parts to stop.
7. Turn the water off and remove the coupling from the washout fitting.

**Note:** If the mower is not clean after one washing, soak it and let it stand for 30 minutes. Then repeat the process.

8. Run the machine and mower blades again for one to three minutes to remove excess water.
9. Turn off the mower blades.

### **▲ WARNING**

**A broken or missing washout fitting could expose you and others to thrown objects or blade contact. Contact with blade or thrown debris can cause injury or death.**

- **Replace broken or missing washout fitting immediately, before using mower again.**
- **Never put your hands or feet under the mower or through openings in the mower.**

## Washing the Underside of the Mower Deck

**Service Interval:** After each use—Clean the mower housing.

**Important:** You can wash the machine with mild detergent and water. Do not pressure wash the machine. Avoid excessive use of water, especially near the control panel, under the seat, around the engine, hydraulic pumps, and motors.

Wash the underside of the mower after each use to prevent grass buildup for improved mulch action and clipping dispersal.

1. Park the machine on a level surface and disengage the blade-control switch.
2. Ensure the parking brake is engaged, stop the engine, remove the key, and wait for all moving parts to stop before leaving the operating position.
3. Attach the hose coupling to the end of the mower washout fitting, and turn the water on high (Figure 63).

**Note:** Spread petroleum jelly on the washout fitting O-ring to make the coupling slide on easier and protect the O-ring.

# Storage

## Cleaning and Storage

1. Disengage the blade-control switch, ensure the parking brake is engaged, stop the engine, and remove the key.
2. Remove grass clippings, dirt, and grime from the external parts of the entire machine, especially the engine. Clean dirt and chaff from the outside of the engine cylinder head fins and blower housing.

**Important:** You can wash the machine with mild detergent and water. Do not pressure wash the machine. Avoid excessive use of water, especially near the control panel, under the seat, around the engine, hydraulic pumps, and motors.

3. Service the air cleaner; refer to [Servicing the Air Cleaner \(page 29\)](#).
4. Grease and oil the machine; refer to [Lubrication \(page 28\)](#).
5. Change the crankcase oil and filter; refer to [Changing the Engine Oil and the Engine-Oil Filter \(page 30\)](#).
6. Check the tire pressure; refer to [Checking the Tire Pressure \(page 36\)](#).
7. Charge the battery; refer to [Charging the Battery \(page 34\)](#).
8. Check the condition of the blades; refer to [Servicing the Cutting Blades \(page 40\)](#).
9. Prepare the machine for storage when non-use occurs over 30 days. Prepare the machine for storage as follows.
10. Add a petroleum based stabilizer/conditioner to the fuel in the tank. Follow the mixing instructions from the stabilizer manufacturer. Do not use an alcohol based stabilizer (ethanol or methanol).

**Note:** A fuel stabilizer/conditioner is most effective when mixed with fresh gasoline and used at all times.

Run the engine to distribute the conditioned fuel through the fuel system (5 minutes).

**Important:** Do not store stabilizer/conditioned gasoline over 90 days.

11. Remove the spark plug(s) and check its condition; refer to [Servicing the Spark Plug \(page 31\)](#). With the spark plug(s) removed from the engine, pour two tablespoons of engine oil into the spark plug hole. Use the starter to

crank the engine and distribute the oil inside the cylinder. Install the spark plug(s). Do not install the wire on the spark plug(s).

12. Clean any dirt and chaff from the top of the mower.
13. Scrape any heavy buildup of grass and dirt from the underside of the mower, then wash the mower with a garden hose.
14. Check the condition of the drive and mower belts.
15. Check and tighten all bolts, nuts, and screws. Repair or replace any part that is worn or damaged.
16. Paint all scratched or bare metal surfaces. Paint is available from your Authorized Service Dealer.
17. Store the machine in a clean, dry garage or storage area. Remove the key from the ignition switch and keep it in a memorable place. Cover the machine to protect it and keep it clean.

# Troubleshooting

Problem	Possible Cause	Corrective Action
The engine overheats.	<ol style="list-style-type: none"> <li>1. The engine load is excessive.</li> <li>2. The oil level in the crankcase is low.</li> <li>3. The cooling fins and air passages under the engine blower housing are plugged.</li> <li>4. The air cleaner is dirty.</li> <li>5. Dirt, water, or stale fuel is in fuel system.</li> </ol>	<ol style="list-style-type: none"> <li>1. Reduce ground speed.</li> <li>2. Add oil to the crankcase.</li> <li>3. Remove the obstruction from the cooling fins and air passages.</li> <li>4. Clean or replace the air cleaner element.</li> <li>5. Contact an Authorized Service Dealer</li> </ol>
The starter does not crank.	<ol style="list-style-type: none"> <li>1. The blade-control switch is engaged.</li> <li>2. The battery is dead.</li> <li>3. The electrical connections are corroded or loose.</li> <li>4. A fuse is blown.</li> <li>5. A relay or switch is damaged.</li> </ol>	<ol style="list-style-type: none"> <li>1. Move the blade-control switch to Disengaged.</li> <li>2. Charge the battery.</li> <li>3. Check the electrical connections for good contact.</li> <li>4. Replace the fuse.</li> <li>5. Contact an Authorized Service Dealer.</li> </ol>
The engine does not start, starts hard, or fails to keep running.	<ol style="list-style-type: none"> <li>1. The fuel tank is empty.</li> <li>2. The air cleaner is dirty.</li> <li>3. The spark plug wire(s) is loose or disconnected.</li> <li>4. The spark plug(s) is pitted, fouled, or the gap is incorrect.</li> <li>5. There is dirt in fuel filter.</li> <li>6. Dirt, water, or stale fuel is in fuel system.</li> <li>7. There is incorrect fuel in the fuel tank.</li> <li>8. The oil level in the crankcase is low.</li> </ol>	<ol style="list-style-type: none"> <li>1. Fill the fuel tank.</li> <li>2. Clean or replace the air cleaner element.</li> <li>3. Install the wire(s) on the spark plug.</li> <li>4. Install a new, correctly gapped spark plug(s).</li> <li>5. Replace the fuel filter.</li> <li>6. Contact an Authorized Service Dealer.</li> <li>7. Drain the tank and replace the fuel with the proper type.</li> <li>8. Add oil to the crankcase.</li> </ol>
The engine loses power.	<ol style="list-style-type: none"> <li>1. The engine load is excessive.</li> <li>2. The air cleaner is dirty.</li> <li>3. The oil level in the crankcase is low.</li> <li>4. The cooling fins and air passages under the engine blower housing are plugged.</li> <li>5. The spark plug(s) is pitted, fouled, or the gap is incorrect.</li> <li>6. The fuel tank vent is blocked.</li> <li>7. There is dirt in the fuel filter.</li> <li>8. Dirt, water, or stale fuel is in the fuel system.</li> <li>9. There is incorrect fuel in the fuel tank.</li> </ol>	<ol style="list-style-type: none"> <li>1. Reduce ground speed.</li> <li>2. Clean the air cleaner element.</li> <li>3. Add oil to the crankcase.</li> <li>4. Remove the obstruction from the cooling fins and air passages.</li> <li>5. Install a new, correctly gapped spark plug(s).</li> <li>6. Contact an Authorized Service Dealer.</li> <li>7. Replace the fuel filter.</li> <li>8. Contact an Authorized Service Dealer.</li> <li>9. Drain the tank and replace the fuel with the proper type.</li> </ol>
The machine does not drive.	<ol style="list-style-type: none"> <li>1. The bypass valves are open.</li> <li>2. The traction belts are worn, loose, or broken.</li> <li>3. The traction belts are off of the pulleys.</li> <li>4. The transmission has failed.</li> </ol>	<ol style="list-style-type: none"> <li>1. Close the tow valves.</li> <li>2. Contact an Authorized Service Dealer.</li> <li>3. Contact an Authorized Service Dealer.</li> <li>4. Contact an Authorized Service Dealer.</li> </ol>

Problem	Possible Cause	Corrective Action
There is abnormal vibration.	<ol style="list-style-type: none"> <li>1. The engine mounting bolts are loose.</li> <li>2. The engine pulley, idler pulley, or blade pulley is loose.</li> <li>3. The engine pulley is damaged.</li> <li>4. The cutting blade(s) is/are bent or unbalanced.</li> <li>5. A blade mounting bolt is loose.</li> <li>6. A blade spindle is bent.</li> </ol>	<ol style="list-style-type: none"> <li>1. Tighten the engine mounting bolts.</li> <li>2. Tighten the appropriate pulley.</li> <li>3. Contact an Authorized Service Dealer.</li> <li>4. Install a new cutting blade(s).</li> <li>5. Tighten the blade mounting bolt.</li> <li>6. Contact an Authorized Service Dealer.</li> </ol>
The cutting height is uneven.	<ol style="list-style-type: none"> <li>1. The blade(s) is not sharp.</li> <li>2. A cutting blade(s) is/are bent.</li> <li>3. The mower is not level.</li> <li>4. An anti-scalp wheel is not set correctly.</li> <li>5. The underside of the mower is dirty.</li> <li>6. The tire pressure is incorrect.</li> <li>7. A blade spindle is bent.</li> </ol>	<ol style="list-style-type: none"> <li>1. Sharpen the blade(s).</li> <li>2. Install a new cutting blade(s).</li> <li>3. Level the mower from side-to-side and front-to-rear.</li> <li>4. Adjust the anti-scalp wheel height.</li> <li>5. Clean the underside of the mower.</li> <li>6. Adjust the tire pressure.</li> <li>7. Contact an Authorized Service Dealer.</li> </ol>
The blades do not rotate.	<ol style="list-style-type: none"> <li>1. The drive belt is worn, loose or broken.</li> <li>2. The drive belt is off of the pulley.</li> <li>3. The Power Take-Off (PTO) switch or PTO clutch is faulty.</li> <li>4. The mower belt is worn, loose, or broken.</li> </ol>	<ol style="list-style-type: none"> <li>1. Install a new drive belt.</li> <li>2. Install the drive belt and check the adjusting shafts and belt guides for the correct position.</li> <li>3. Contact an Authorized Service Dealer.</li> <li>4. Install a new mower belt.</li> </ol>



**Notes:**

**Notes:**



# The Toro Total Coverage Warranty

Limited Warranty (see warranty periods below)

TimeCutter  
and  
TITAN  
Mowers

## Conditions and Products Covered

The Toro Company and its affiliate, Toro Warranty Company, pursuant to an agreement between them, jointly promise to the original purchaser to repair the Toro Products listed below if defective in materials or workmanship.

The following time periods apply from the date of purchase by the original owner:

Products	Warranty Period
TimeCutter and MX Mowers • Engines <sup>1</sup> — Residential use	Residential use <sup>2</sup> – 3 years Kawasaki – 3 years Kohler – 3 years Toro – 3 years
TimeCutter and MX Mowers • Engines <sup>1</sup> — Commercial use	Commercial use 30 days Kawasaki – 3 years Kohler – 90 days Toro – 90 days
TITAN Mowers – Residential or Commercial use • Engines <sup>1</sup> — Residential or Commercial use • Frame	3 years or 300 hours <sup>3</sup> Kawasaki – 3 years Lifetime (original owner only) <sup>4</sup>
TITAN MX5400 and MX600 Mowers – Residential or Commercial use • Engines <sup>1</sup> — Residential or Commercial use • Frame	4 years or 400 hours <sup>3</sup> Kawasaki – 3 years Lifetime (original owner only) <sup>4</sup>
<b>All Mowers</b>	
• Attachments	1 year
• Battery	90 days Parts and Labor 1 year Parts only
• Belts and Tires	90 days

<sup>1</sup>Some engines used on Toro Products are warranted by the engine manufacturer.

<sup>2</sup>Residential use means use of the product on the same lot as your home. Use at more than one location is considered commercial use and the commercial use warranty would apply.

<sup>3</sup>Whichever occurs first.

<sup>4</sup>Lifetime Frame Warranty - If the main frame, consisting of the parts welded together to form the tractor structure that other components such as the engine are secured to, cracks or breaks in normal use, it will be repaired or replaced, at Toro's option, under warranty at no cost for parts and labor. Frame failure due to misuse or abuse and failure or repair required due to rust or corrosion are not covered.

Warranty may be denied if the hour meter is disconnected, altered, or shows signs of being tampered with.

## Owner Responsibilities

You must maintain your Toro Product by following the maintenance procedures described in the *Operator's Manual*. Such routine maintenance, whether performed by a dealer or by you, is at your expense.

## Instructions for Obtaining Warranty Service

If you think that your Toro Product contains a defect in materials or workmanship, follow this procedure:

1. Contact any Authorized Toro Service Dealer to arrange service at their dealership. To locate a dealer convenient to you, refer to the *Yellow*

Pages of your telephone directory (look under "Lawn Mowers") or access our web site at [www.Toro.com](http://www.Toro.com). You may also call the numbers listed in item #3 to use the 24-hour Toro Dealer locator system.

2. Bring the product and your proof of purchase (sales receipt) to the Service Dealer. The dealer will diagnose the problem and determine if it is covered under warranty.
3. If for any reason you are dissatisfied with the Service Dealer's analysis or with the assistance provided, contact us at:

Customer Care Department, RLC Division  
Toro Warranty Company  
8111 Lyndale Avenue South  
Bloomington, MN 55420-1196  
Toll free at 866-216-6029 (U.S. customers)  
Toll free at 866-216-6030 (Canadian customers)

## Items and Conditions Not Covered

There is no other express warranty except for special emission system coverage and engine warranty coverage on some products. This express warranty does not cover the following:

- Cost of regular maintenance service or parts, such as filters, fuel, lubricants, oil changes, spark plugs, air filters blade sharpening or worn blades, cable/linkage adjustments, or brake and clutch adjustments
- Components failing due to normal wear
- Any product or part which has been altered or misused or neglected and requires replacement or repair due to accidents or lack of proper maintenance
- Pickup and delivery charges
- Repairs or attempted repairs by anyone other than an Authorized Toro Service Dealer
- Repairs necessary due to failure to follow recommended fuel procedure (consult *Operator's Manual* for more details)
  - Removing contaminants from the fuel system is not covered
  - Use of old fuel (more than one month old) or fuel which contains more than 10% ethanol or more than 15% MTBE
  - Failure to drain the fuel system prior to any period of non-use over one month

## General Conditions

All repairs covered by these warranties must be performed by an Authorized Toro Service Dealer using Toro approved replacement parts.

**Neither The Toro Company nor Toro Warranty Company is liable for indirect, incidental or consequential damages in connection with the use of the Toro Products covered by this warranty, including any cost or expense of providing substitute equipment or service during reasonable periods of malfunction or non-use pending completion of repairs under this warranty.**

**All implied warranties of merchantability (that the product is fit for ordinary use) and fitness for use (that the product is fit for a particular purpose) are limited to the duration of the express warranty.**

**Some states do not allow exclusions of incidental or consequential damages, or limitations on how long an implied warranty lasts, so the above exclusions and limitations may not apply to you.**

This warranty gives you specific legal rights, and you may also have other rights which vary from state to state.

## Countries Other than the United States or Canada

Customers who have purchased Toro products outside the United States or Canada should contact their Toro Distributor (Dealer) to obtain guarantee policies for your country, province, or state. If for any reason you are dissatisfied with your Distributor's service or have difficulty obtaining guarantee information, contact the Toro importer. If all other remedies fail, you may contact us at Toro Warranty Company.

**Australian Consumer Law:** Australian customers will find details relating to the Australian Consumer Law either inside the box or at your local Toro Dealer.