



Count on it.

Parts Catalog

Pro Force® Debris Blower

Model No. 44538—Serial No. 312000001 and Up



Ordering Replacement Parts

To order replacement parts, please supply the part number, the quantity, and the description of each part desired.

Understanding Reference Numbers

Each identified part in an illustration has a reference number. The reference number for a part also appears in the parts list, along with other information about the part.

This catalog uses two special reference number formats, one to indicate parts in a service assembly and another to indicate the quantity of a given part in an illustration.

Service Assembly Reference Numbers

Parts in service assemblies have reference numbers in the form a:b. The a represents the reference number of the entire service assembly and the b represents a sequential number unique to each part within the service assembly.

For example, a wheel assembly might be identified by reference number 6, the tire by 6:1, the valve by 6:2, and the wheel by 6:3. When you order the assembly identified by reference number 6, you receive all parts identified by reference numbers 6:1, 6:2, and 6:3. However, you may also order any part individually. Reference numbers of this type appear in illustration and in parts lists.

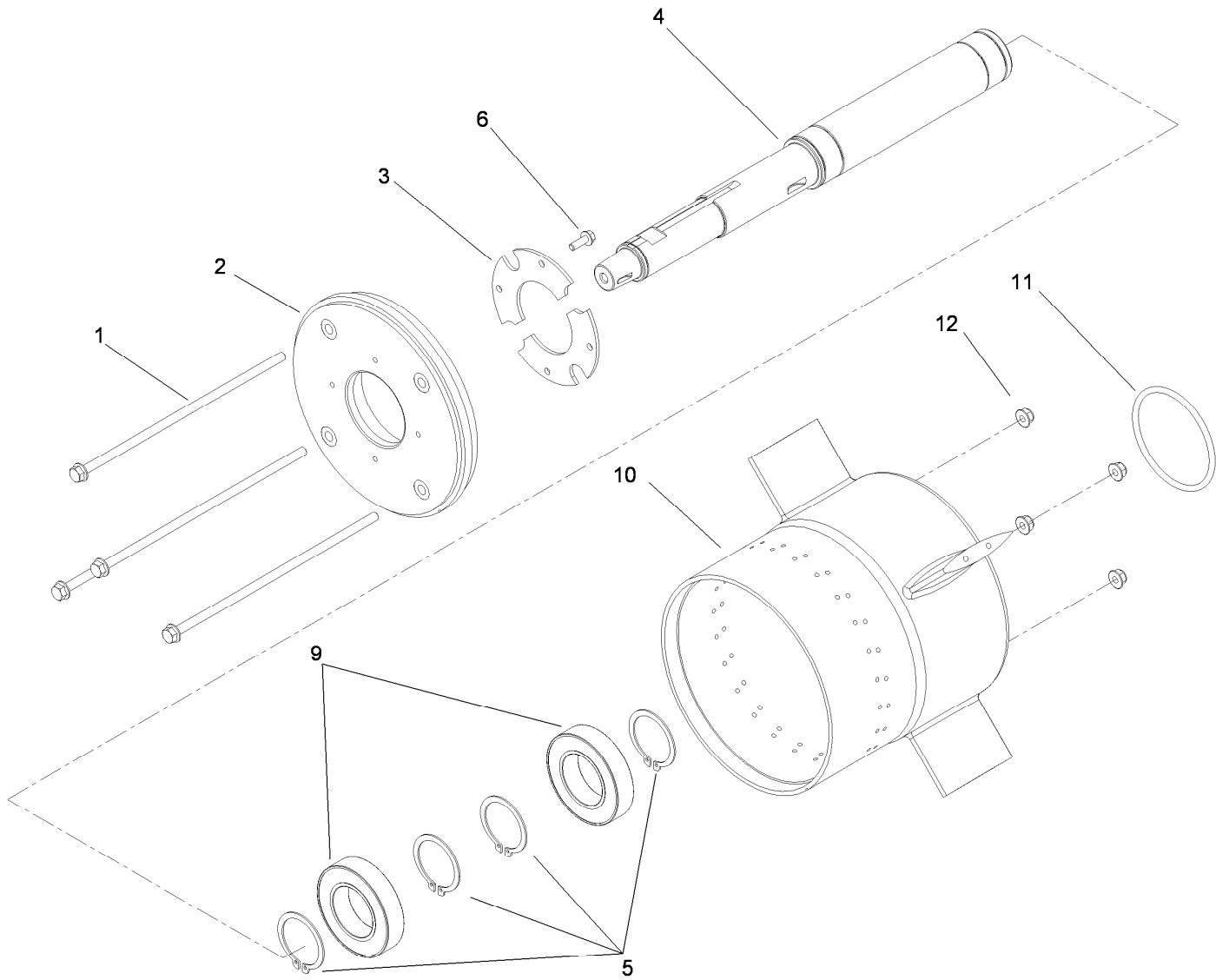
Reference Numbers Indicating Quantity

In an illustration, if a reference number indicates more than one part, the reference number has the form nX y. The n represents the quantity of the part, the X is the multiplication symbol, and the y represents the reference number.

For example, in an illustration, the reference number 2X 37 means that two of the parts identified by reference number 37 are indicated.

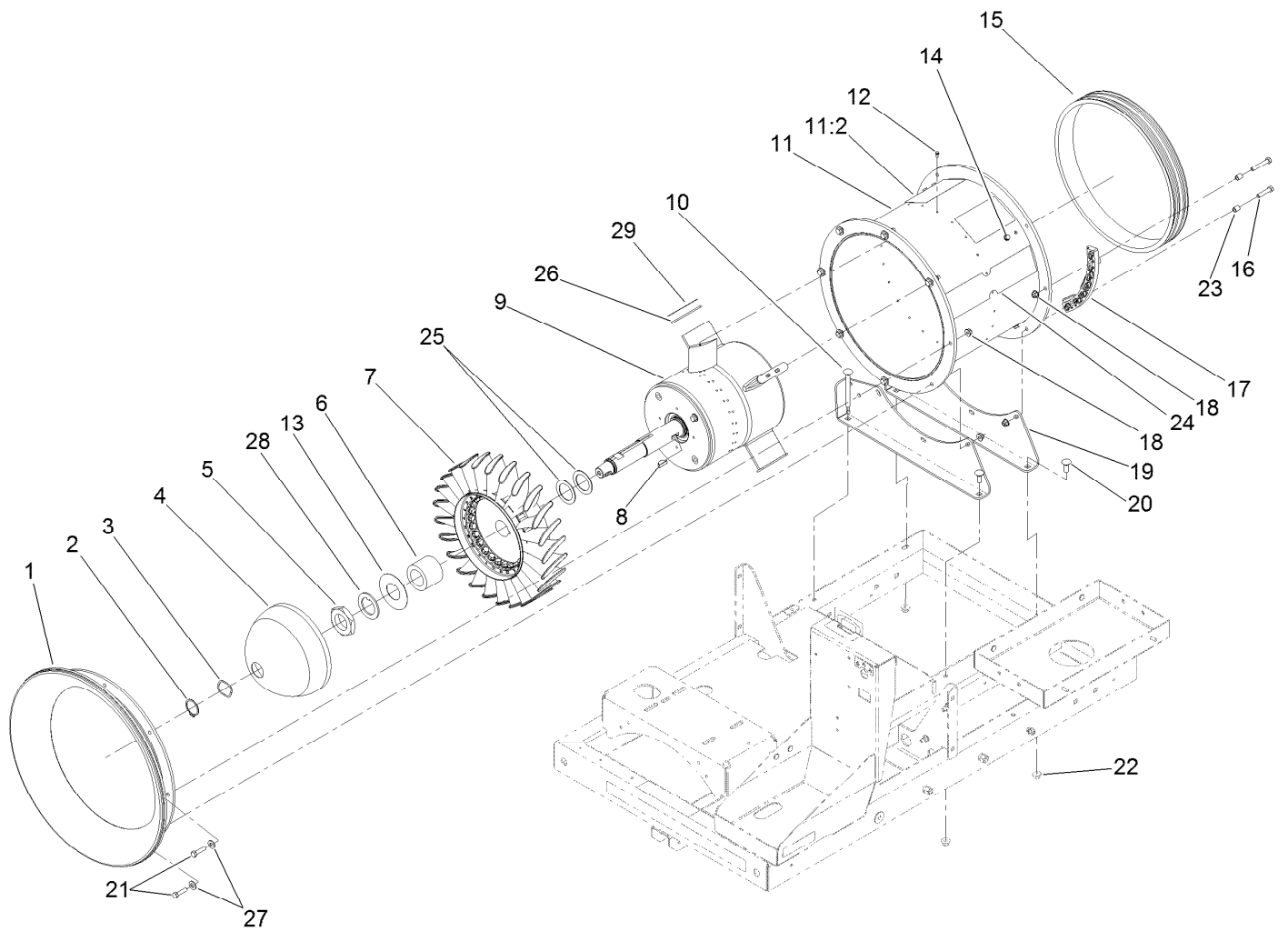
Contents

Shaft and Rotor Assembly	4
Turbine Assembly.....	5
Hitch, Trailer, Fuel Tank, Hub and Wheel Assembly	6
Hub and Axle Assembly No. 117-8255.....	7
Fuel Tank Assembly No. 117-8455	8
Nozzle, Belt and Guard Assembly	9
Clutch, Battery and Electrical Component Assembly	10
Engine and Muffler Assembly.....	11
Fuel Line Assembly	12
Electrical Assembly	13



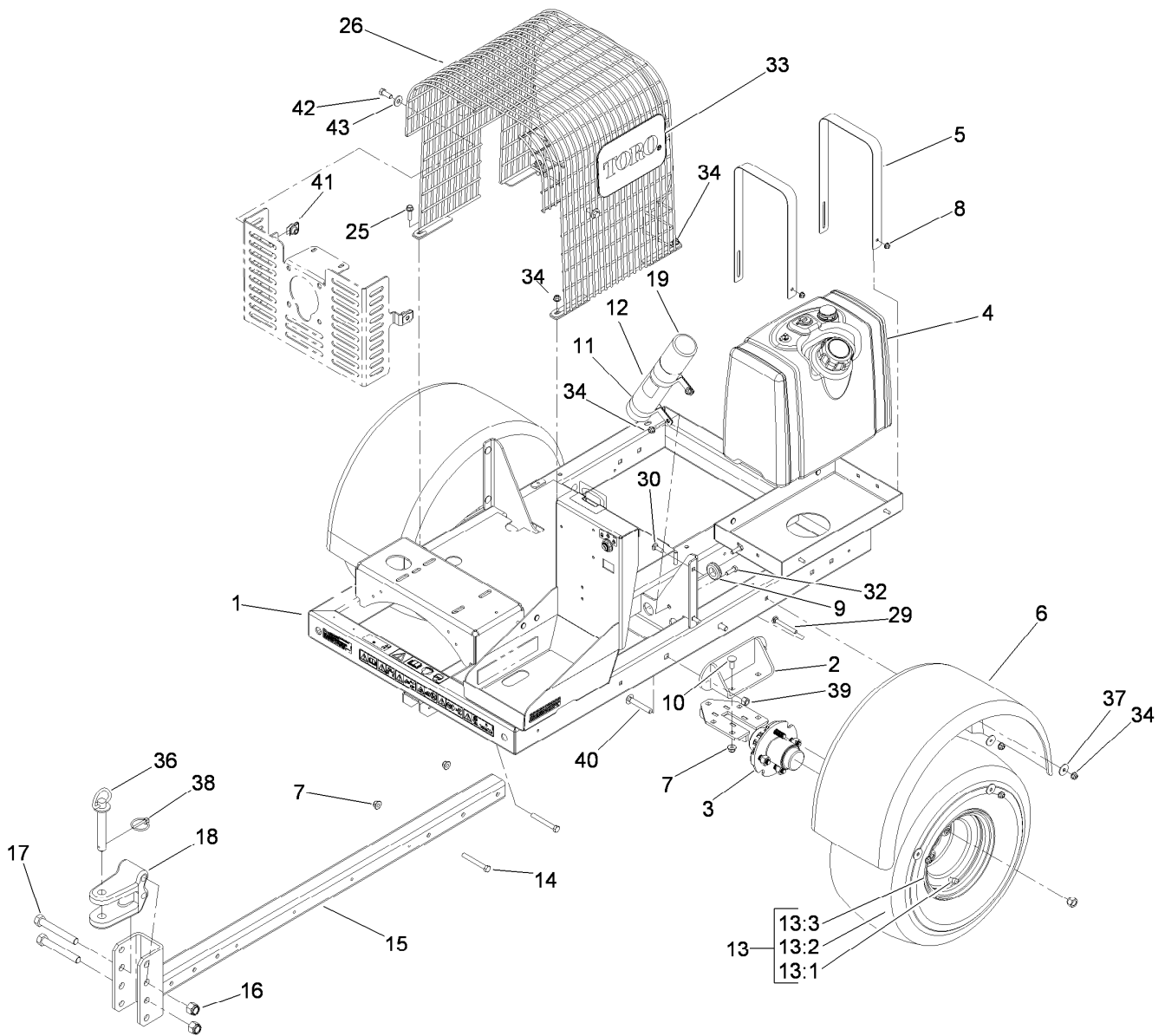
Shaft and Rotor Assembly

<i>Ref.</i>	<i>Part Number</i>	<i>Qty.</i>	<i>Description</i>
1	119-6154	4	Screw-HH
2	119-6161	1	Holder-Bearing
3	119-3019	2	Cap-Bearing, Front
4	115-9075	1	Shaft-Fan
5	112-1951	4	Ring-Snap, EXT
6	117-8304	4	Screw-HHF
9	112-6764	2	Bearing-Ball
10	119-6160	1	Housing-Inner
11	92-9533	1	O-Ring
12	104-8300	4	Nut-HF, NI



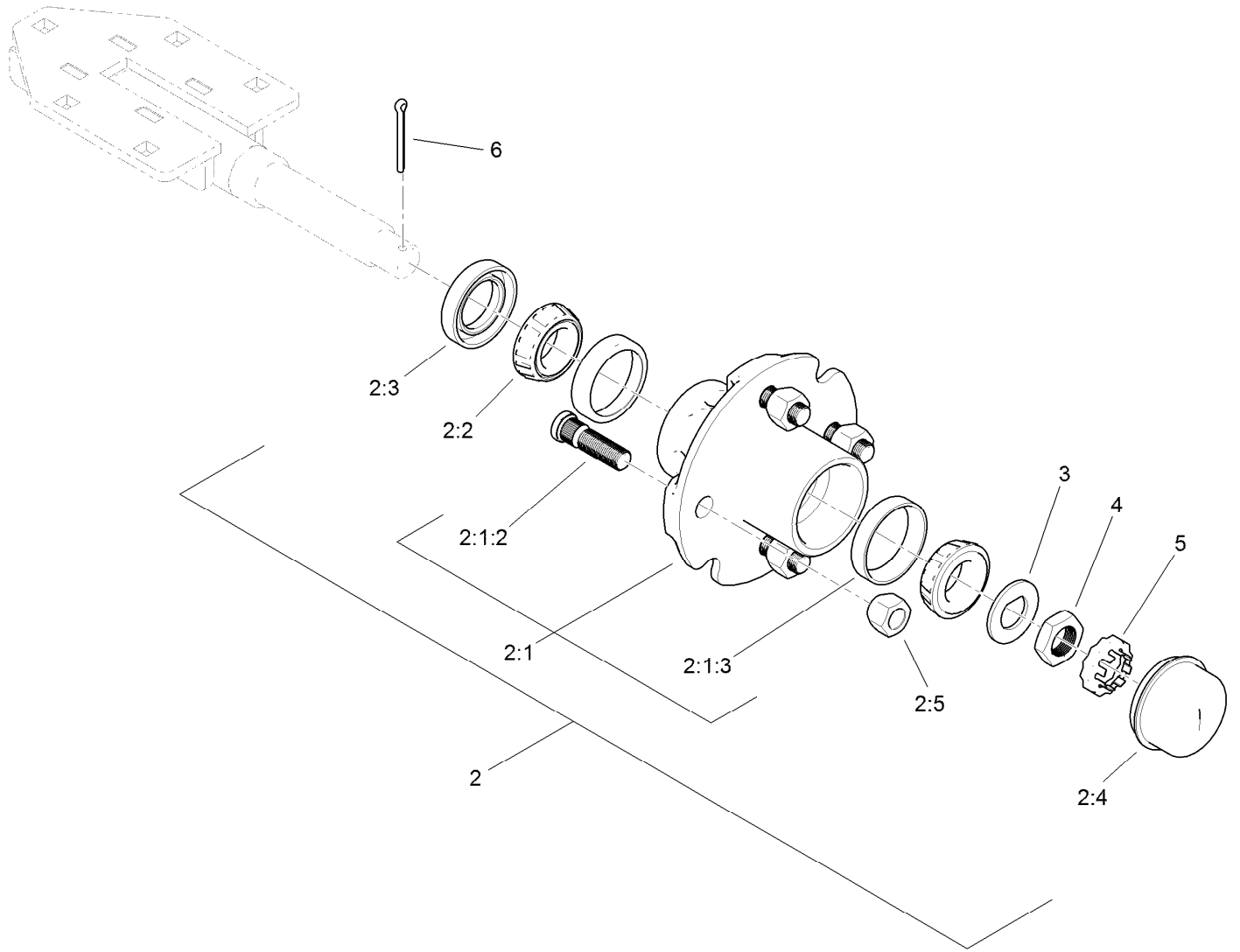
Turbine Assembly

<i>Ref.</i>	<i>Part Number</i>	<i>Qty.</i>	<i>Description</i>	<i>Ref.</i>	<i>Part Number</i>	<i>Qty.</i>	<i>Description</i>
1	117-8329	1	Bell-Inlet	15	112-1874	1	Pulley-Nozzle
2	112-1952	1	Ring-Snap, EXT	16	322-7	6	Screw-HH
3	93-4632	1	Washer-Wavey	17	114-9868	4	Guide-Nozzle
4	117-8328	1	Cap-Front	18	104-8300	16	Nut-HF, NI
5	112-1899	1	Nut	19	112-6851-01	2	Mount-Fan
6	114-2164	1	Spacer	20	3231-2	2	Bolt-CARR
7	117-8356	1	Rotor	21	322-6	8	Screw-HH
8	3257-42	1	Key-Woodruff	22	104-8301	4	Nut-HF, NI
9	112-1871	24	Vane-Stator	23	93-6859	8	Spacer
10	3231-24	2	Screw-CARR	24	115-5102	2	Decal
11	115-5128	1	Housing ASM	25	115-5131	2	Washer
11:2	115-5106	2	Decal-Danger	26	117-8393	4	Spacer-Fin
12	117-8303	24	Screw-HHF	27	3256-24	8	Washer-Flat
13	115-9005	1	Washer-Tab	28	119-6202	1	Washer-Tab
14	117-8304	8	Screw-HHF	29	119-6207	4	Spacer-Fin



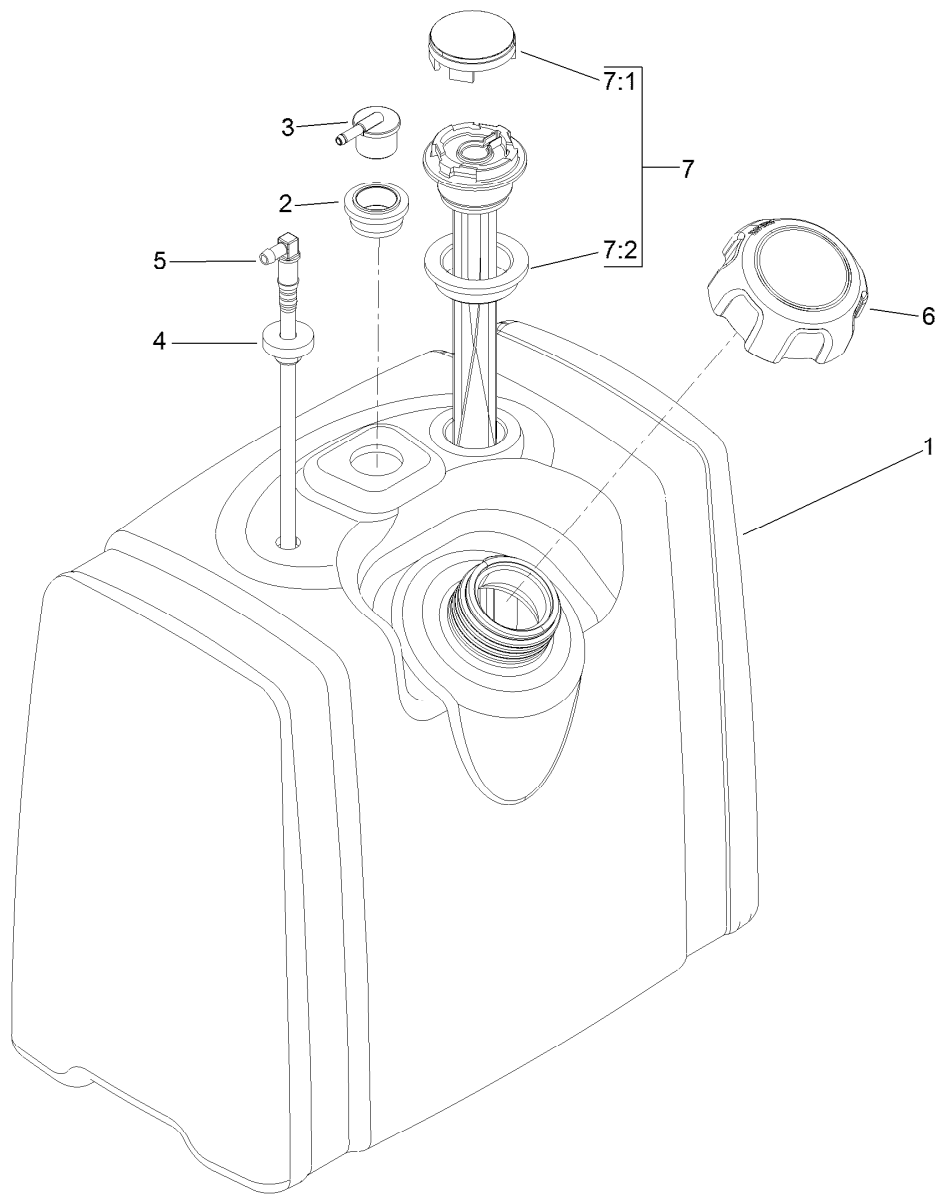
Hitch, Trailer, Fuel Tank, Hub and Wheel Assembly

Ref.	Part Number	Qty.	Description	Ref.	Part Number	Qty.	Description
1	119-2953	1	Frame ASM	17	327-23	2	Screw-HH
2	119-2958-01	2	Mount-Axle	18	47-3550-01	1	Clevis-Hitch
3	117-8255	2	Hub And Axle ASM	19	104-7048	1	Cap-Housing
4	117-8455	1	Fuel Tank ASM	25	112-6913	2	Screw-HHF
5	119-6285	2	Strap-Hold Down, Tank	26	112-6876	1	Grill-Top
6	112-6852	2	Fender	29	3230-9	4	Screw-CARR
7	104-8301	8	Nut-HF, NI	30	3230-2	4	Bolt-CARR
8	104-7201	4	Nut-HF	32	322-5	2	Screw-HH
9	1-543286	2	Grommet	33	92-1242	2	Decal
10	3231-2	6	Bolt-CARR	34	104-8300	12	Nut-HF, NI
11	2412-133	2	Clamp-R	36	13-6200	1	Pin-Hitch, Pointed
12	104-7050	1	Tube-Manual	37	3256-82	8	Washer-Flat
13	98-8691	2	Wheel ASM	38	92-1298	1	Pin-Lynch
13:1	232-27	1	Stem-Valve	39	3296-48	4	Nut-Lock, NI
13:2	99-4506	1	Tire	40	3232-17	4	Screw-CARR
13:3	99-4507	1	Rim	41	105-4886	2	Nut-Tinnerman
14	323-14	2	Screw-HH	42	323-6	2	Screw-HH
15	112-6942-01	1	Hitch	43	80-6990	2	Washer-Hardened
16	3296-53	2	Nut-Lock, NI				



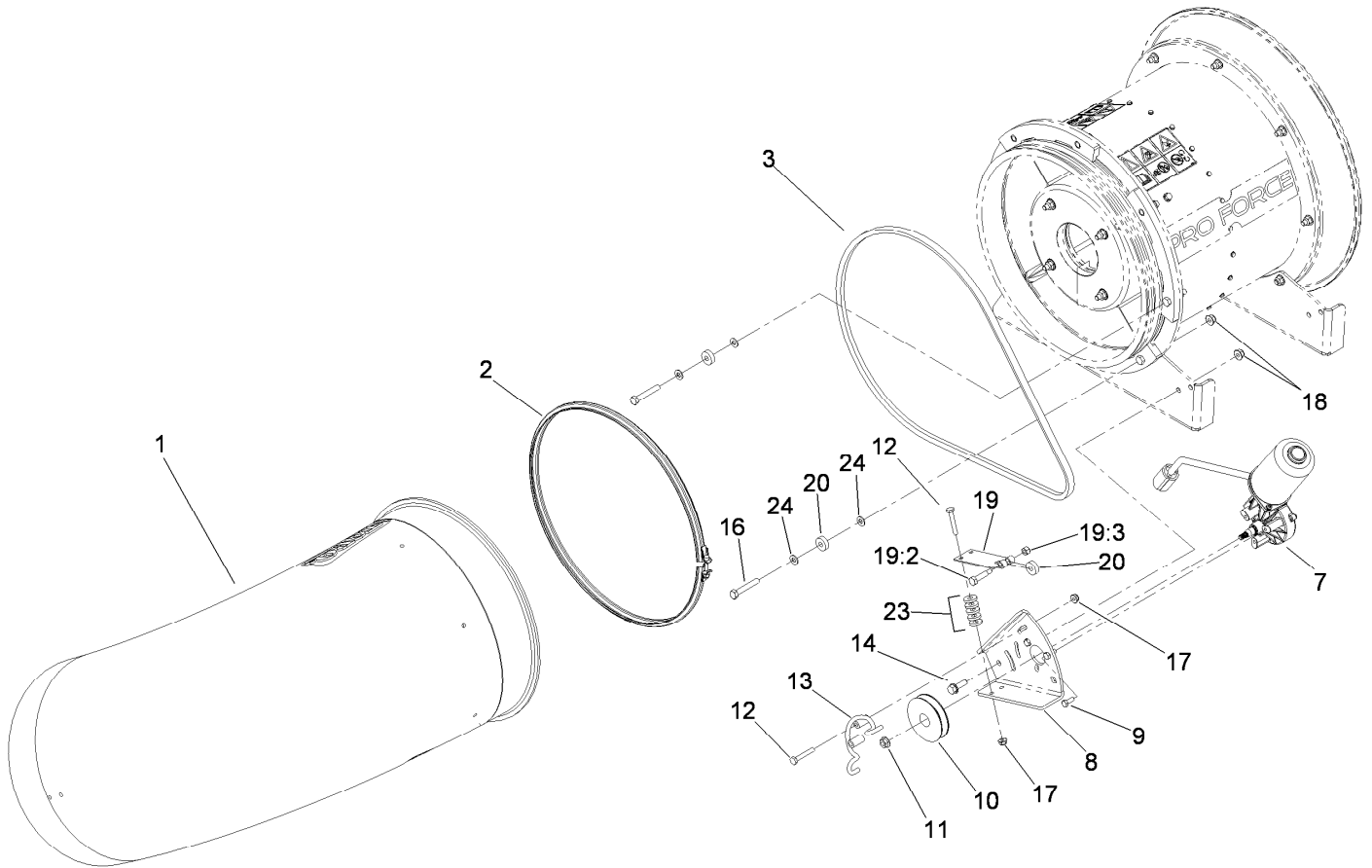
Hub and Axle Assembly No. 117-8255

<i>Ref.</i>	<i>Part Number</i>	<i>Qty.</i>	<i>Description</i>
2	117-5115	2	Hub And Bearing ASM
2:1	117-8251	1	Hub ASM
2:1:2	114-3918	4	Stud-Wheel
2:1:3	254-72	2	Bearing-Cup, Tapered
2:2	254-94	2	Bearing-Cone, Tapered
2:3	112-1690	1	Seal-Oil
2:4	241-119	1	Cap-Dust
2:5	242-50	4	Nut-Lug
3	117-8259	1	Washer-Spindle
4	117-8260	1	Nut
5	93-0307	1	Nut-Lock, Retainer
6	3272-18	1	Pin-Cotter



Fuel Tank Assembly No. 117-8455

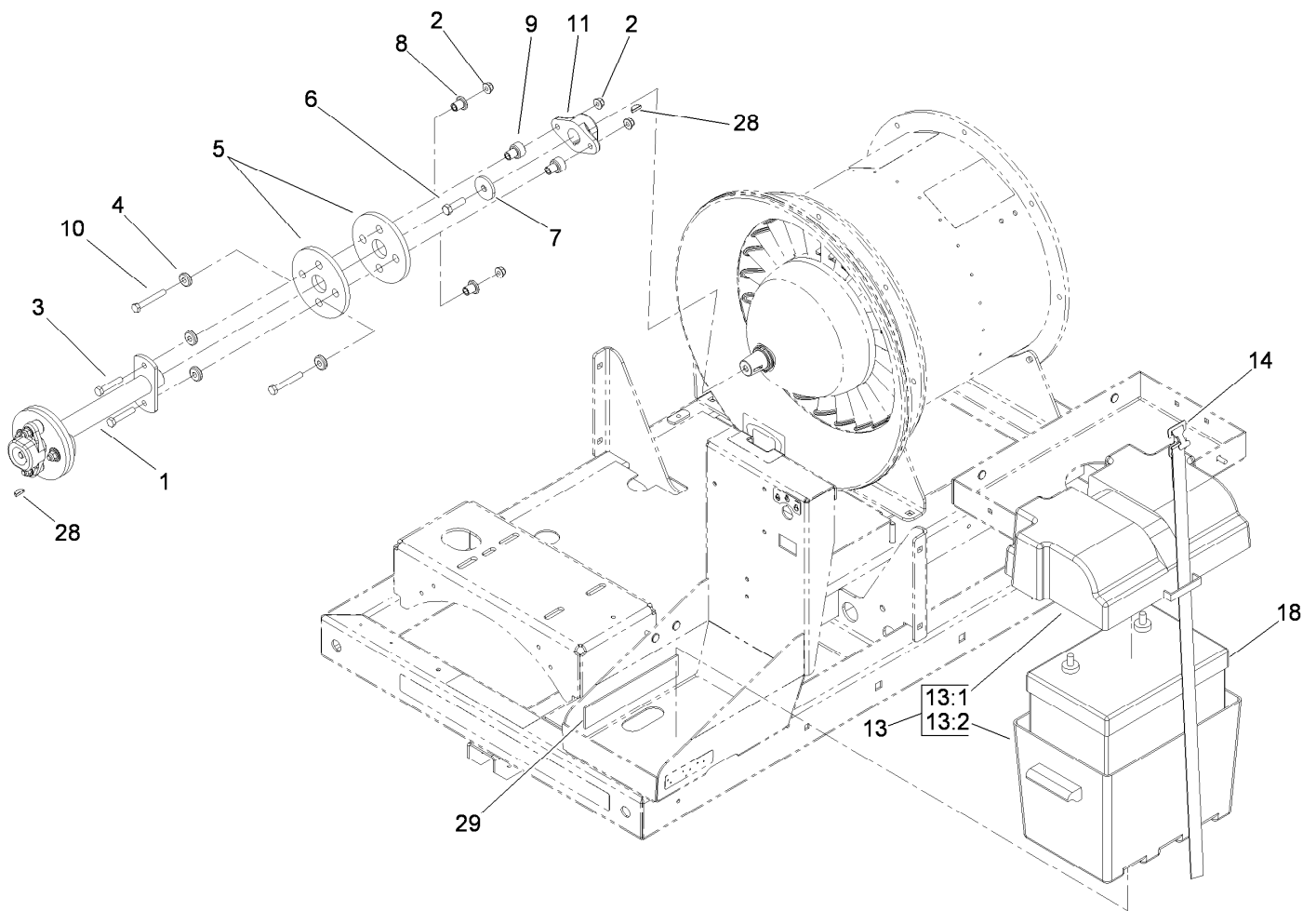
<i>Ref.</i>	<i>Part Number</i>	<i>Qty.</i>	<i>Description</i>
1	117-8453	1	Tank-Fuel
2	114-0284	1	Grommet
3	114-0285	1	Valve-Rollover
4	46-6560	1	Bushing
5	115-9044	1	Pipe-Stand
6	115-7788	1	Cap-Fuel
7	119-0509	1	Gauge ASM
7:1	117-8404	1	Dial-Gauge
7:2	119-0508	1	Seal



Nozzle, Belt and Guard Assembly

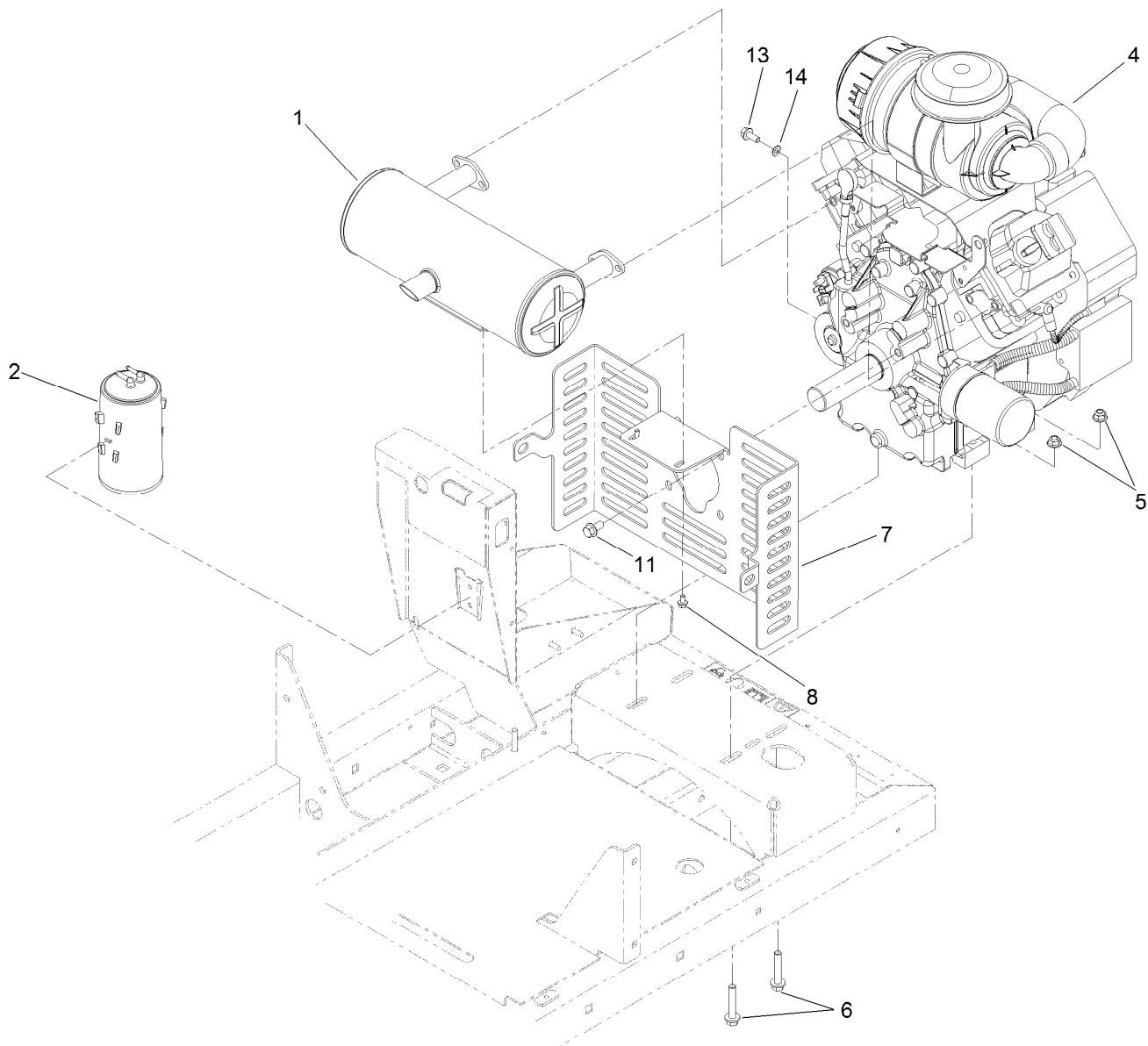
Ref.	Part Number	Qty.	Description
1	119-6287	1	Nozzle
2	112-6899	1	Clamp-Nozzle
3	112-1853	1	Belt-V
7	119-6340	1	Motor-Reversible
8	115-5149-01	1	Bracket-Motor
9	33113-016	3	Screw-HH
10	115-5147	1	Pulley
11	98-0668	1	Nut
12	321-37	4	Screw-HH
13	112-6924	1	Guard-Belt, Drive

Ref.	Part Number	Qty.	Description
14	3234-29	2	Screw-HHF
16	322-10	2	Screw-HH
17	104-7201	4	Nut-HF
18	104-8300	2	Nut-HF, NI
19	110-9650	1	Leaf Spring ASM
19:2	36-2250	1	Bolt-Shoulder
19:3	3296-42	1	Nut-Lock, NI
20	251-259	3	Bearing-Ball
23	88-7200	10	Washer-Flat
24	3256-74	4	Washer-Flat



Clutch, Battery and Electrical Component Assembly

Ref.	Part Number	Qty.	Description	Ref.	Part Number	Qty.	Description
1	115-5124-03	1	Shaft-Drive	10	322-32	4	Screw-HH
2	104-8300	8	Nut-HF, NI	11	114-2122	2	Hub-Engine
3	322-39	4	Screw-HH	13	93-7595	1	Battery Box ASM
4	115-5118	8	Washer	13:1	105-2914	1	Top-Battery Box
5	115-5129	4	Coupling-Rubber	13:2	105-2915	1	Bottom-Battery Box
6	323-7	2	Screw-HH	14	3339-175	1	Strapping-Web
7	114-2120	2	Washer	18	108-1260	1	Battery-Dry
8	115-5120	4	Spacer-Coupling, Rubber	28	3257-5	2	Key-Woodruff
9	115-5119	4	Spacer-Coupling, Rubber	29	104-7102	2	Pad-Battery

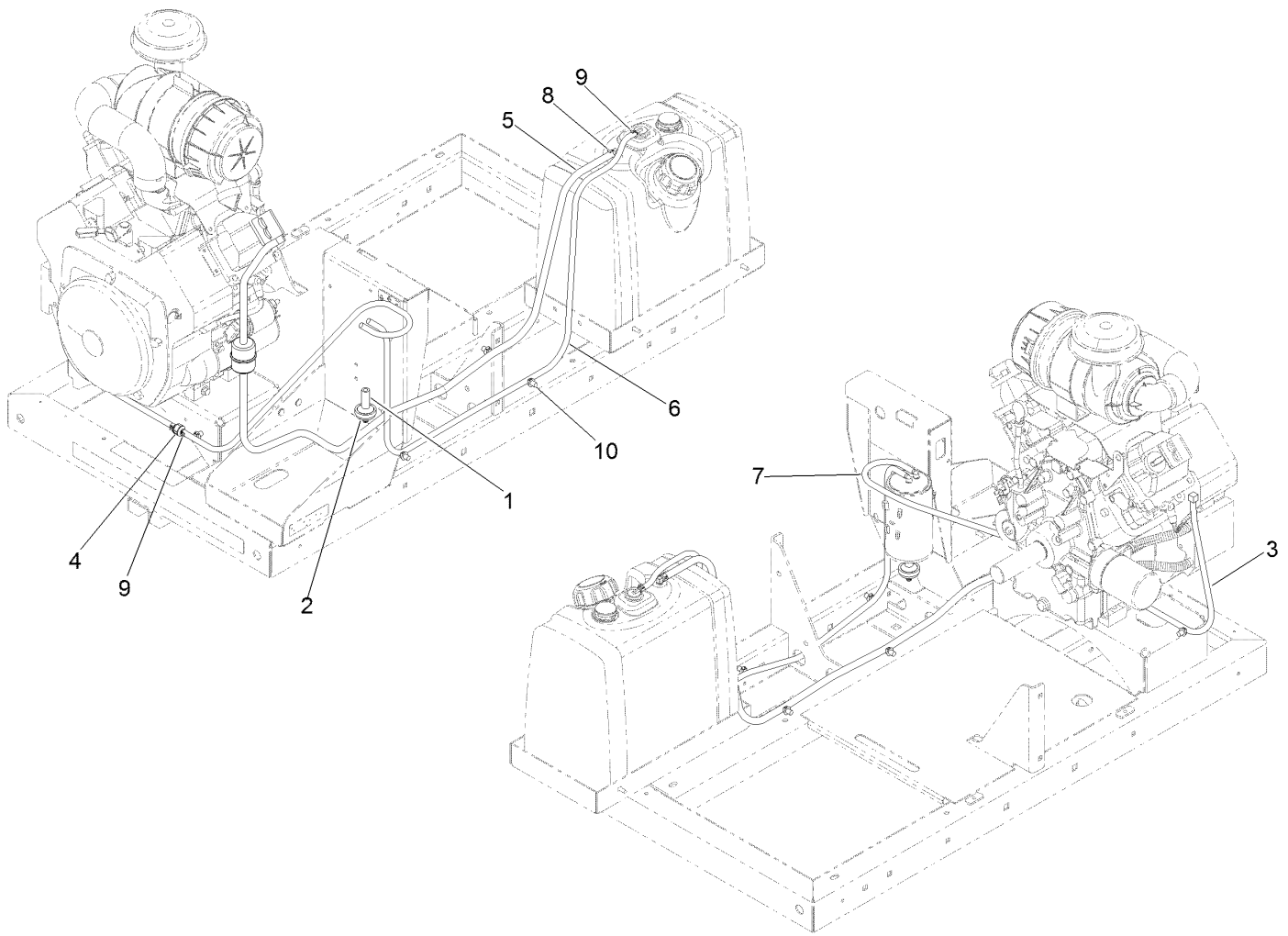


Engine and Muffler Assembly

Ref.	Part Number	Qty.	Description
1	112-6862	1	Muffler
2	115-2251	1	Canister-Carbon
4		1	Engine-Kohler, Ch740-3137 ■▲
4:1	108-3847	1	Filter-Oil ●
5	104-8301	4	Nut-HF, NI
6	66-9302	4	Screw-HHF, Whiz
7	119-6171-03	1	Mount-Muffler
8	33103-012	2	Screw-HHF
11	110-1718	4	Screw-HHF
13	33104-020	1	Screw-HHF
14	3255-8	1	Washer-Lock

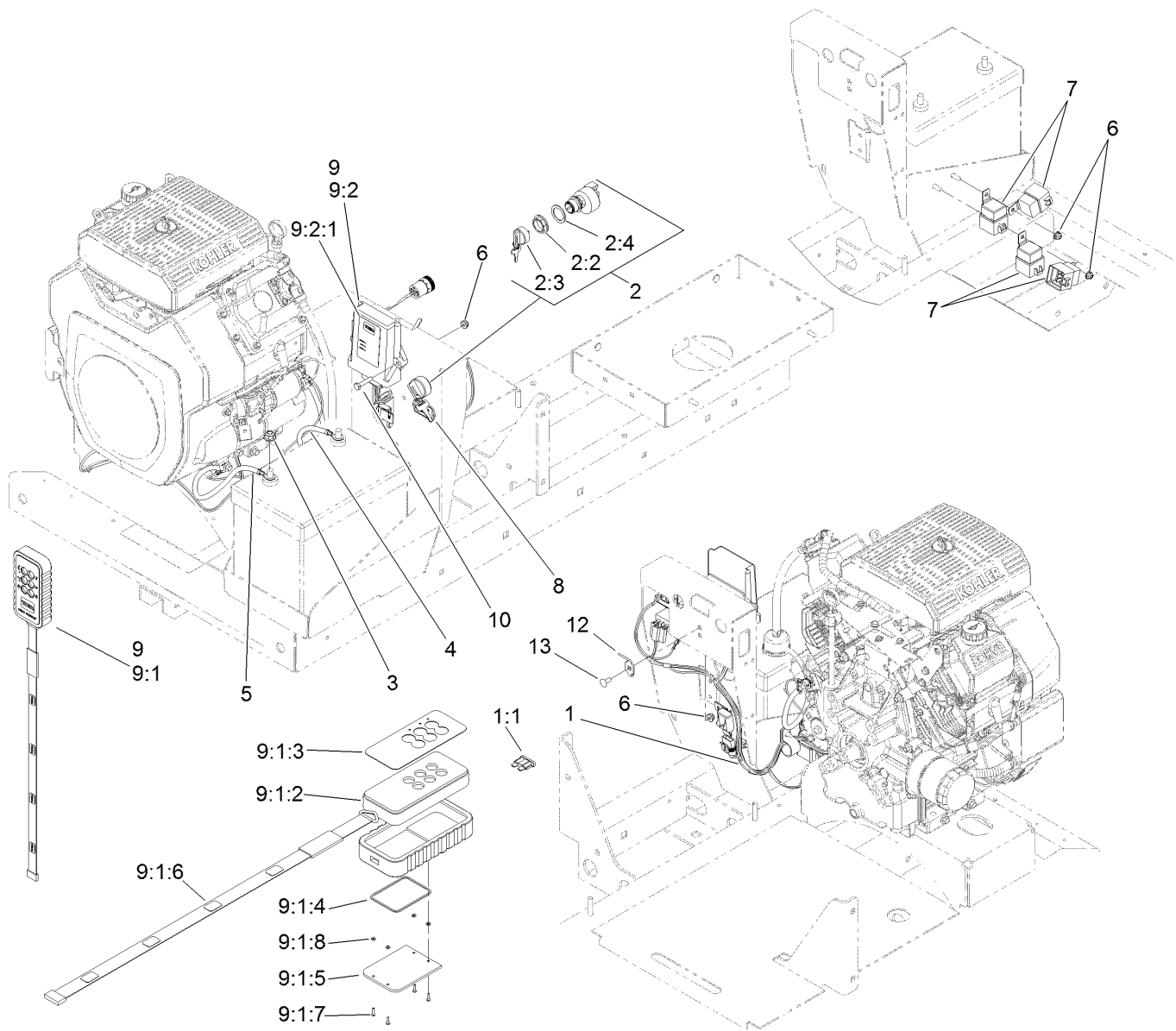
● Not illustrated
▲ Obtain parts from www.kohlerplus.com

■ Not serviced separately



Fuel Line Assembly

<i>Ref.</i>	<i>Part Number</i>	<i>Qty.</i>	<i>Description</i>
1	106-5317	1	Hose-Fuel
2	115-7854	1	Filter-Fuel, Inline
3	119-6074	1	Hose-Fuel
4	115-7868	1	Valve-Check, Vacuum
5	107-9298	1	Hose-Fuel
6	119-6073	1	Hose-Fuel
7	110-3254	1	Hose-Fuel
8	2412-98	2	Clamp-Hose
9	2412-80	3	Clamp-Hose
10	32180-030	6	Clip-Tie



Electrical Assembly

Ref.	Part Number	Qty.	Description	Ref.	Part Number	Qty.	Description
1	121-6564	1	Harness-Wire, Blower	9:1	121-2751	1	Transmitter-Handheld
1:1	109355	1	Fuse-Blade, 15 Amp	9:1:2	121-2754	1	Case-Outer
2	106-5269	1	Ignition Switch ASM	9:1:3	121-2651	1	Decal-Remote
2:2	108-8660	1	Nut-Mounting	9:1:4	121-2755	1	Seal-Door
2:3	106-5270	1	Ignition Key Set	9:1:5	121-2756	1	Battery-Door
2:4	108-8659	1	Washer-Backup	9:1:6	121-2758	1	Lanyard-Remote
3	104-8301	2	Nut-HF, NI	9:1:7	121-2757	4	Screw-Door
4	114-9714	1	Cable-Battery, Positive	9:1:8	121-2763	4	Washer-Retaining
5	114-9715	1	Cable-Battery, Negative	9:2	121-2752	1	Base-Receiver
6	104-7201	5	Nut-HF	9:2:1	121-2760	1	Decal-Base
7	99-7430	4	Relay	10	321-8	2	Screw-HH
8	1-513374	1	Meter-Hour	12	121-2761	1	Mount-Transmitter
9	121-2750	1	Rf Transmitter And Receiver ASM	13	3229-11	1	Screw-CARR

Notes:

Notes:



Count on it.