



**Count on it.**

**Parts Catalog**

**Rake and Vac™ Blower/Vacuum**

Model No. 51617—Serial No. 317018230 and Up



# Ordering Replacement Parts

To order replacement parts, please supply the part number, the quantity, and the description of each part desired.

## Understanding Reference Numbers

Each identified part in an illustration has a reference number. The reference number for a part also appears in the parts list, along with other information about the part.

This catalog uses two special reference number formats, one to indicate parts in a service assembly and another to indicate the quantity of a given part in an illustration.

## Service Assembly Reference Numbers

Parts in service assemblies have reference numbers in the form a:b. The a represents the reference number of the entire service assembly and the b represents a sequential number unique to each part within the service assembly.

For example, a wheel assembly might be identified by reference number 6, the tire by 6:1, the valve by 6:2, and the wheel by 6:3. When you order the assembly identified by reference number 6, you receive all parts identified by reference numbers 6:1, 6:2, and 6:3. However, you may also order any part individually. Reference numbers of this type appear in illustration and in parts lists.

## Reference Numbers Indicating Quantity

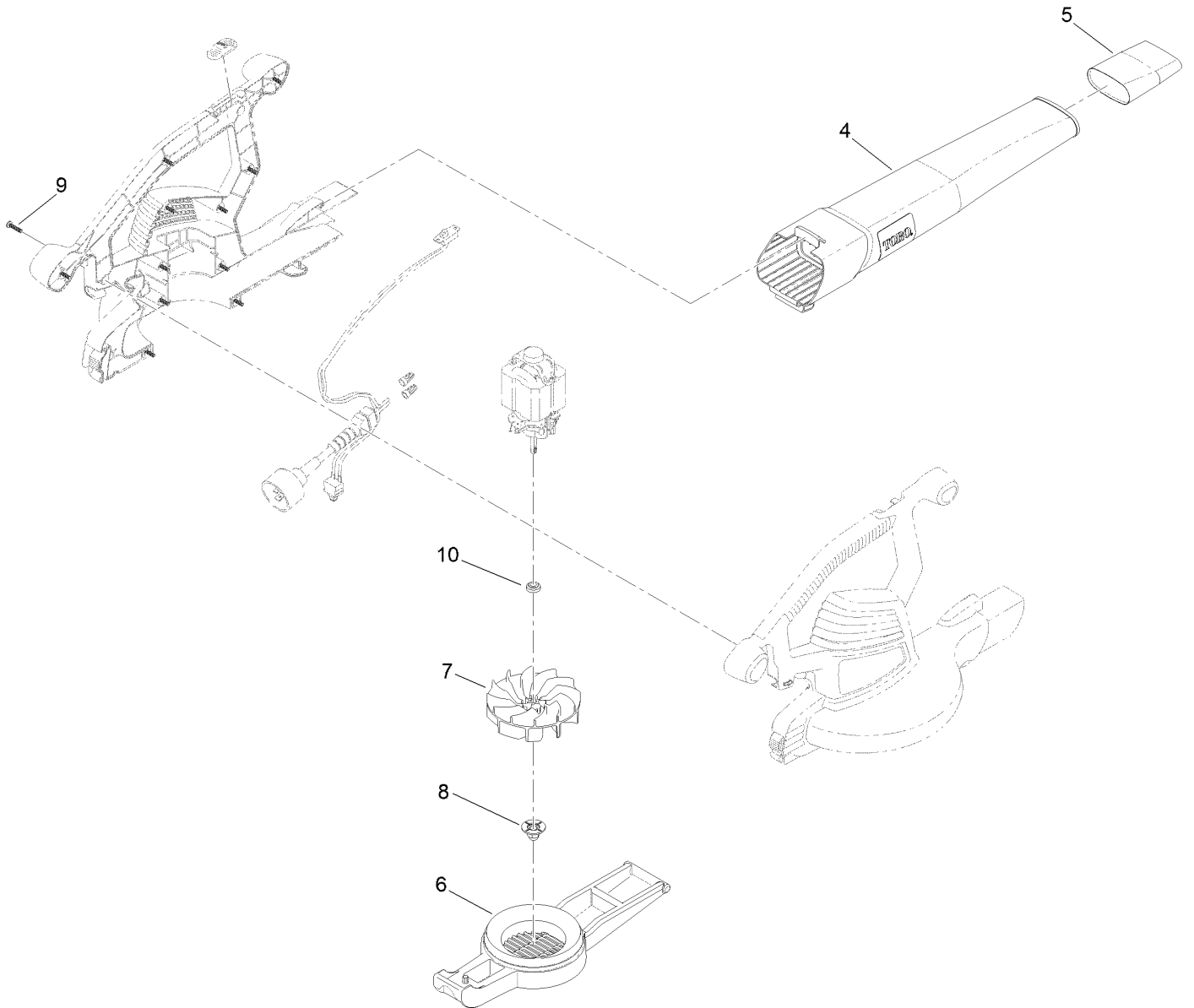
In an illustration, if a reference number indicates more than one part, the reference number has the form nX y. The n represents the quantity of the part, the X is the multiplication symbol, and the y represents the reference number.

For example, in an illustration, the reference number 2X 37 means that two of the parts identified by reference number 37 are indicated.

# Contents

Blower Tube and Impeller Assembly ..... 4  
Bag and Tube Assembly ..... 6

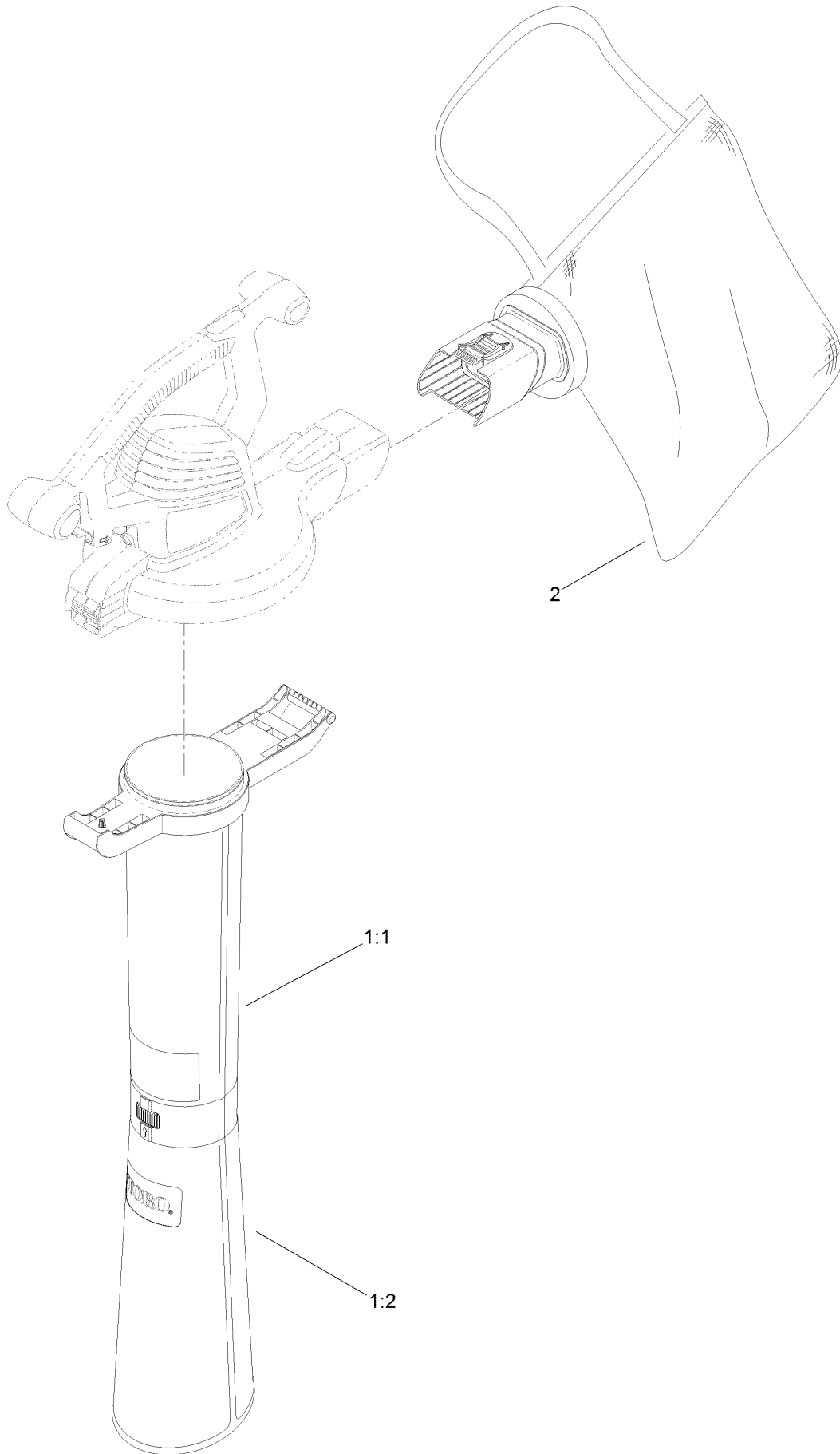
# Blower Tube and Impeller Assembly



## Blower Tube and Impeller Assembly (continued)

<i>Ref.</i>	<i>Part Number</i>	<i>Qty.</i>	<i>Description</i>	<i>Ref.</i>	<i>Part Number</i>	<i>Qty.</i>	<i>Description</i>
4	125-0473	1	Tube-Blower	8	114-9015	1	Nut-Impeller
5	119-9762	1	Tube-Insert, Super	9	94-4496	13	Screw-PPH
6	108-8965	1	Cover-Inlet	10	127-7078	1	Bushing-Motor
7	125-0494	1	Impeller				

# Bag and Tube Assembly



## Bag and Tube Assembly (continued)

<i>Ref.</i>	<i>Part Number</i>	<i>Qty.</i>	<i>Description</i>
1:1	108-8969	1	Tube-Vacuum, Upper
1:2	108-8970	1	Tube-Vacuum, Lower
2	125-0526	1	Bag ASM



**Count on it.**