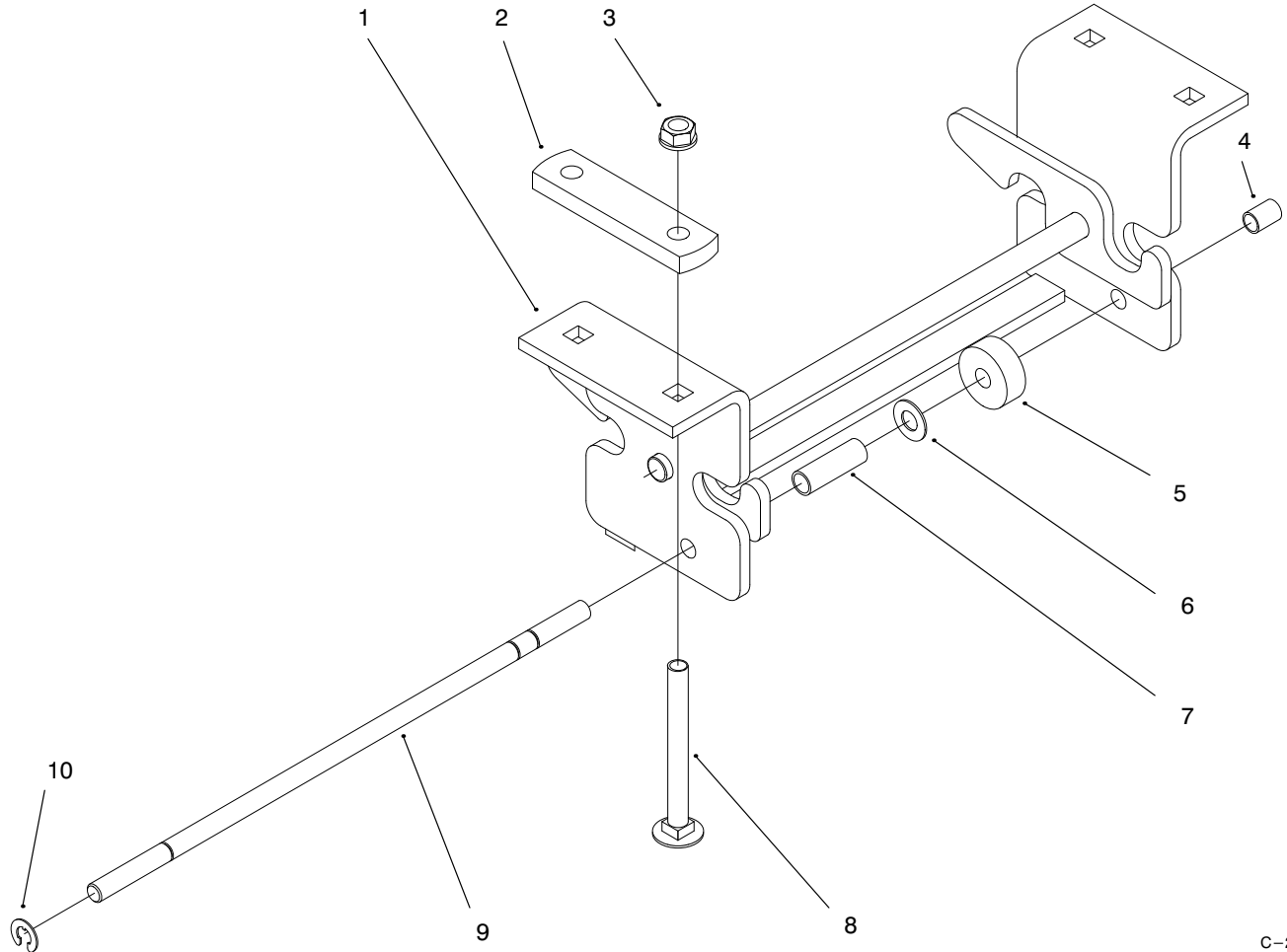




| | |
|---------------------------------|--------------------------|
| PART NO. 95-4220 | PARTS CATALOG |
| REAR ATTACH-A-MATIC® KIT | |



C-2743

REAR ATTACH-A-MATIC ASSEMBLY

| Ref. No. | Part No. | Description | No. Used |
|----------|------------|----------------------|----------|
| 1 | 94-7857-03 | Mounting Bracket ASM | 1 |
| 2 | 3697 | Link - Bracket | 2 |
| 3 | 32153-2 | Nut - Lock | 4 |
| 4 | 105316 | Cap - Rod | 1 |
| 5 | 101707 | Lock - Attachment | 1 |

| Ref. No. | Part No. | Description | No. Used |
|----------|----------|----------------------|----------|
| 6 | 3256-24 | Washer - Flat | 1 |
| 7 | 8616 | Spring - Compression | 1 |
| 8 | 3231-11 | Screw - Carriage | 4 |
| 9 | 94-7926 | Rod - Hitch Latch | 1 |
| 10 | 105797 | Ring - Ret. Ext. | 3 |