



Count on it.

Parts Catalog

**Z Master® Professional 6000
Series Riding Mower**

**with 72in TURBO FORCE® Side Discharge
Mower**

Model No. 75968—Serial No. 402100000 and Up



Ordering Replacement Parts

To order replacement parts, please supply the part number, the quantity, and the description of each part desired.

Understanding Reference Numbers

Each identified part in an illustration has a reference number. The reference number for a part also appears in the parts list, along with other information about the part.

This catalog uses two special reference number formats, one to indicate parts in a service assembly and another to indicate the quantity of a given part in an illustration.

Service Assembly Reference Numbers

Parts in service assemblies have reference numbers in the form a:b. The a represents the reference number of the entire service assembly and the b represents a sequential number unique to each part within the service assembly.

For example, a wheel assembly might be identified by reference number 6, the tire by 6:1, the valve by 6:2, and the wheel by 6:3. When you order the assembly identified by reference number 6, you receive all parts identified by reference numbers 6:1, 6:2, and 6:3. However, you may also order any part individually. Reference numbers of this type appear in illustration and in parts lists.

Reference Numbers Indicating Quantity

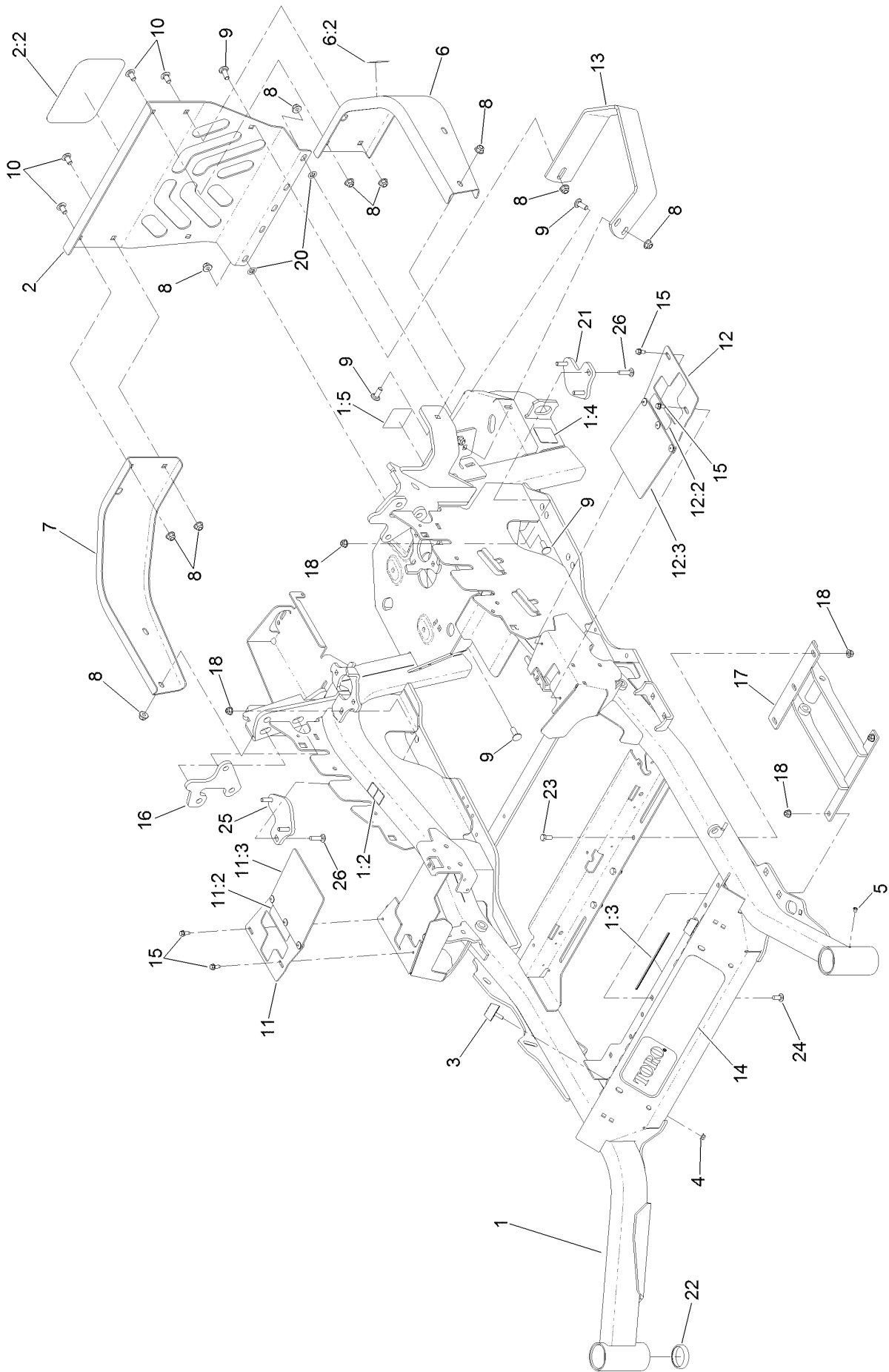
In an illustration, if a reference number indicates more than one part, the reference number has the form nX y. The n represents the quantity of the part, the X is the multiplication symbol, and the y represents the reference number.

For example, in an illustration, the reference number 2X 37 means that two of the parts identified by reference number 37 are indicated.

Contents

Frame Assembly	4
Subframe Assembly	6
Roll-Over Protection System Assembly	8
Roll-Over Protection System Assembly No. 116-0231	10
Front Caster and Fork Assembly	12
Caster Fork and Wheel Assembly	14
Hydraulic Drive Assembly	16
Pump Idler Assembly No. 116-1255	18
LH Hydro Assembly No. 126-1319	20
RH Hydro Assembly No. 126-1320	22
Rear Wheel Assembly	24
Park Brake Assembly	26
Fuel System Assembly	28
Fuel Tank Assembly No. 135-0643	30
Seat Mounting Assembly	32
Seat Assembly No. 116-0035	34
Motion Control Assembly	36
Console and Control Assembly	38
RH Console Assembly No. 115-7400	40
LH Console Assembly No. 115-7401	42
Electrical Assembly	44
Deck Lift Assembly	46
Height-of-Cut Assembly No. 109-7438	48
Engine, Clutch and Muffler Assembly	50
Deck Assembly	52
Deck Decal Assembly No. 136-8636	54
Idler Arm Assembly	56
Spindle Assembly No. 127-0560	58
Rubber Deflector Assembly No. 108-2792	60
Frame Decal Assembly	62
Attachments and Accessories	64

Frame Assembly



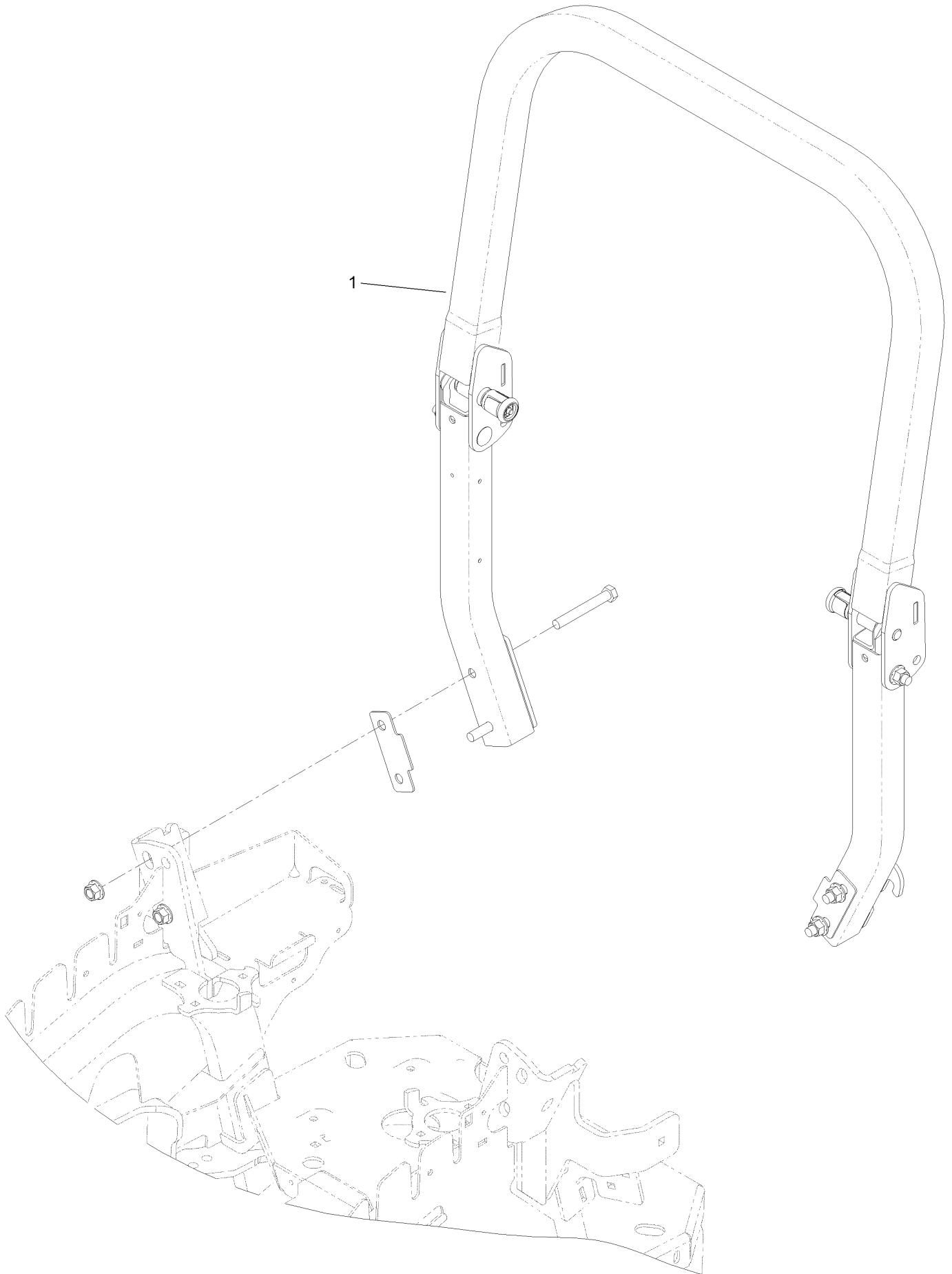
Frame Assembly (continued)

<i>Ref.</i>	<i>Part Number</i>	<i>Qty.</i>	<i>Description</i>	<i>Ref.</i>	<i>Part Number</i>	<i>Qty.</i>	<i>Description</i>
1	116-5904	1	Mainframe ASM	11:2	99-8936	1	Decal-Control, Motion
1:2	106-5517	2	Decal-Warning	11:3	136-8967	1	Flap-Rubber
1:3	132-0871	1	Decal-Danger	12	131-4610	1	LH Motion Control Cover ASM
1:4	106-2655	2	Decal-Hazard, Pinched Finger	12:2	99-8936	1	Decal-Control, Motion
1:5	116-4858	1	Decal-Spark Arrester	12:3	136-8967	1	Flap-Rubber
2	115-7410	1	Rear Guard ASM	13	126-2067-03	1	Guard-Muffler
2:2	67-7320	1	Decal	14	136-5520	1	Decal
3	131-8834	2	Bumper	15	32144-10	4	Screw-HWH
4	104-7201	4	Nut-HF	16	136-1674-01	2	Plate-Mount, Shock
5	1-811010	2	Plug	17	131-6327-01	1	Mount-Lower
6	116-0180	1	LH Bumper ASM	18	104-8300	7	Nut-HF, NI
6:2	106-5517	1	Decal-Warning	20	107-3154	2	Nut-Push
7	116-0057-03	1	Bumper-RH	21	127-6766	1	LH Plate ASM (W/Studs)
8	104-8301	11	Nut-HF, NI	22	1-543508	4	Cup-Bearing
9	3231-22	7	Screw-CARR	23	322-3	3	Screw-HH
10	3231-21	4	Screw-CARR	24	3230-23	2	Screw-CARR
11	131-4615	1	RH Motion Control Cover ASM	25	127-6765	1	RH Plate ASM (W/Studs)
				26	3230-3	2	Screw-CARR

Subframe Assembly (continued)

<i>Ref.</i>	<i>Part Number</i>	<i>Qty.</i>	<i>Description</i>	<i>Ref.</i>	<i>Part Number</i>	<i>Qty.</i>	<i>Description</i>
1	127-6759-03	2	Bracket-Bearing	14	131-4646	2	Plate-Stop
2	127-6743	4	Housing-Bearing, Flange	15	131-4647	2	Knob-Front
3	1-653346	2	Bearing	16	136-8956	1	Shock/Spring ASM
4	127-6754-03	1	Arm-Trailing	16	136-8993	1	Shock/Spring ASM
5	132-5057	1	Subframe ASM	17	3231-22	3	Screw-CARR
5:2	132-0871	1	Decal-Danger	18	47-7270	2	Bearing-Needle
5:3	115-9625	1	Decal-Brake, Parking	19	132-5058	1	Bumper-Rubber
5:4	127-6745	2	Bushing-Flange	20	132-5089-01	1	Floorpan
6	133-1808	1	Bracket-Mounting	21	325-19	1	Screw-HH
6:2	132-5067	1	Decal-Adjustment, Ride	22	105-3048	2	Washer-Flat
6:3	132-5063	1	Decal-Lock, Cam	23	116-0648	2	Screw-HH, Thread Locking
7	127-6768	3	Screw-CARR	24	1-513658	2	Bumper
8	127-6751	2	Spacer-Aluminum	25	86-1990	2	Washer-Thrust
9	99-5107	8	Nut-Lock	26	132-5068	1	Cover-Shock
10	131-8801	2	Spacer	27	125-9383	1	Decal-Service Aid
11	131-6348	2	Bolt-Shoulder	28	3256-6	2	Washer-Flat
12	133-1815	2	Shock/Spring ASM	31	133-1810	1	Mat-Floor
13	131-8843	2	Cam Lock ASM	32	117-2382	2	Plug-Plastic
13:1	131-8841	1	Shaft-Lock	33	130-0733	4	Pad-Rubber
13:2	107-1644	1	Cap-Lock	34	104-8301	5	Nut-HF, NI
13:3	131-8840	1	Cam Lock Lever ASM	35	104-8300	9	Nut-HF, NI
13:4	119-4038	1	Nut-Hex	36	3230-10	4	Bolt-CARR

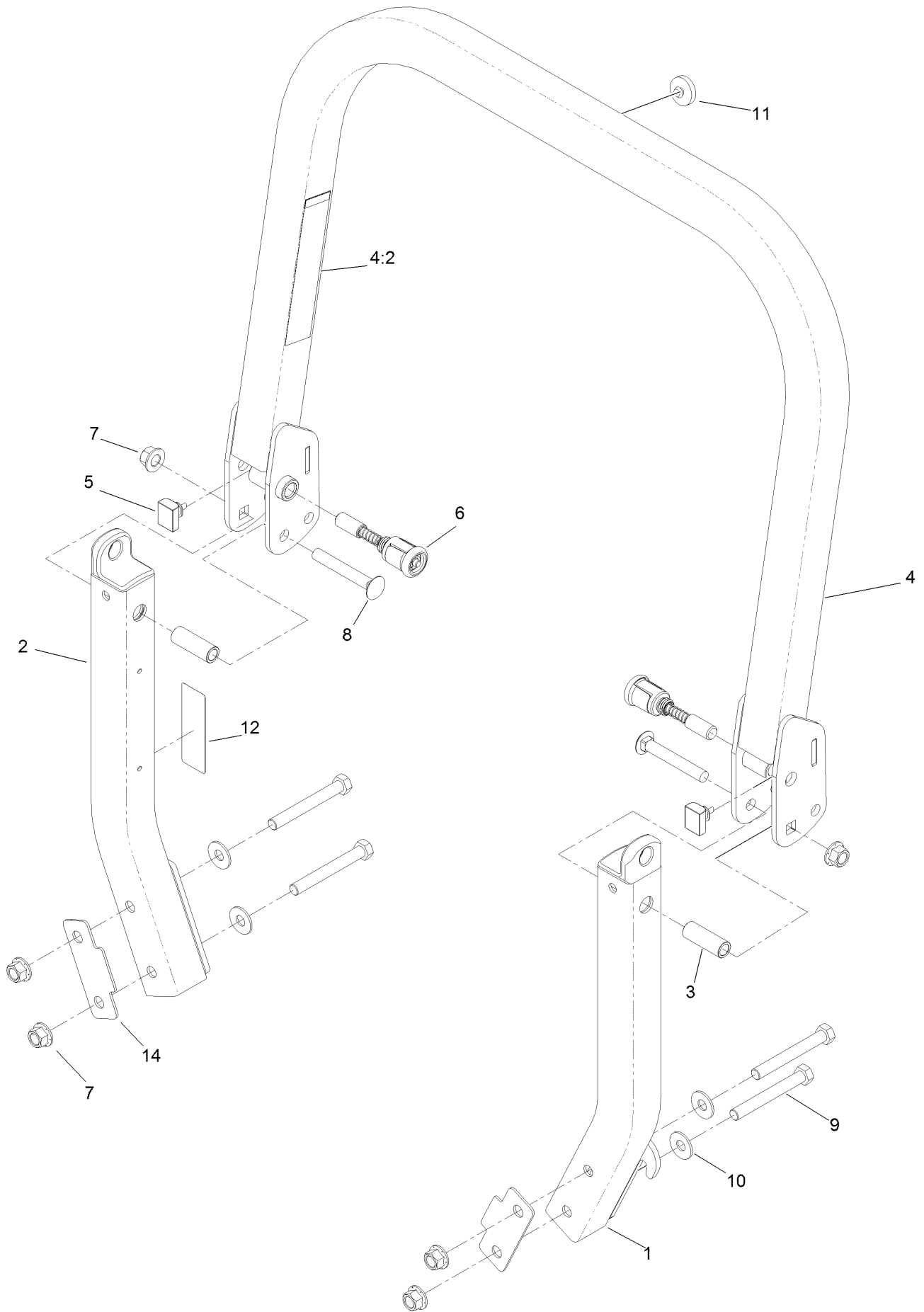
Roll-Over Protection System Assembly



Roll-Over Protection System Assembly (continued)

<i>Ref.</i>	<i>Part Number</i>	<i>Qty.</i>	<i>Description</i>
1	116-0231	1	ROPS ASM

Roll-Over Protection System Assembly No. 116-0231

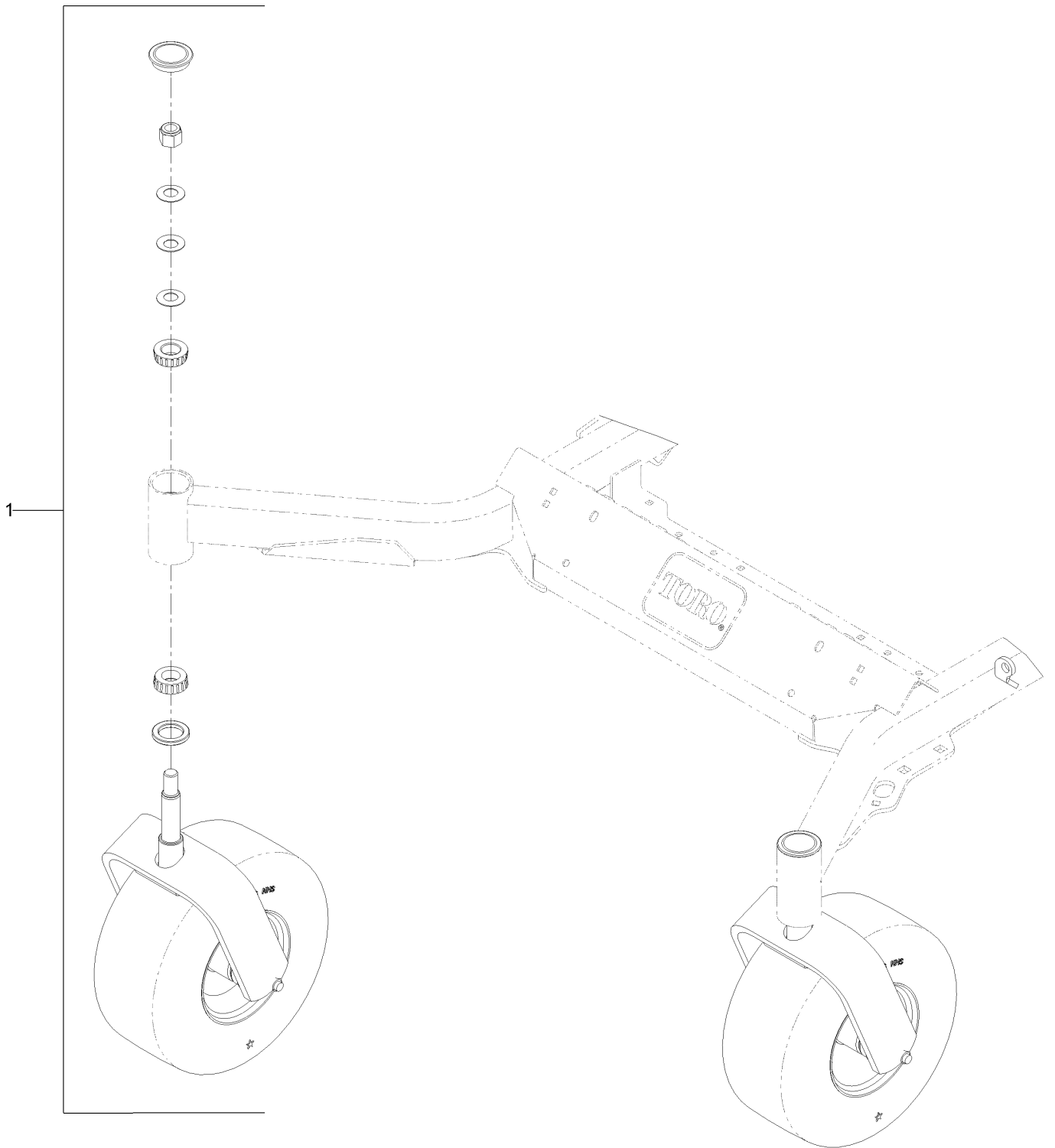


Roll-Over Protection System Assembly No. 116-0231 (continued)

<i>Ref.</i>	<i>Part Number</i>	<i>Qty.</i>	<i>Description</i>	<i>Ref.</i>	<i>Part Number</i>	<i>Qty.</i>	<i>Description</i>
1		1	Leg-ROPS, LH ●	7	99-5107	6	Nut-Lock
2		1	Leg-ROPS, RH ●	8	3233-10	2	Screw-CARR
3	109-6653	2	Spacer	9	325-35	4	Screw-HH
4		1	Upper ROPS ASM ●	10	109-9505	4	Washer-Spring
4:2	107-3069	1	Decal-Warning	11	109-9233	1	Bumper-Push-In, Rubber
5	109-5337	2	Bumper-ROPS	12	117-0346	1	Decal-Caution, Fuel Vent
6	116-0104	2	Pin-Spring	14	116-0960	2	Spacer

● Not serviced separately

Front Caster and Fork Assembly

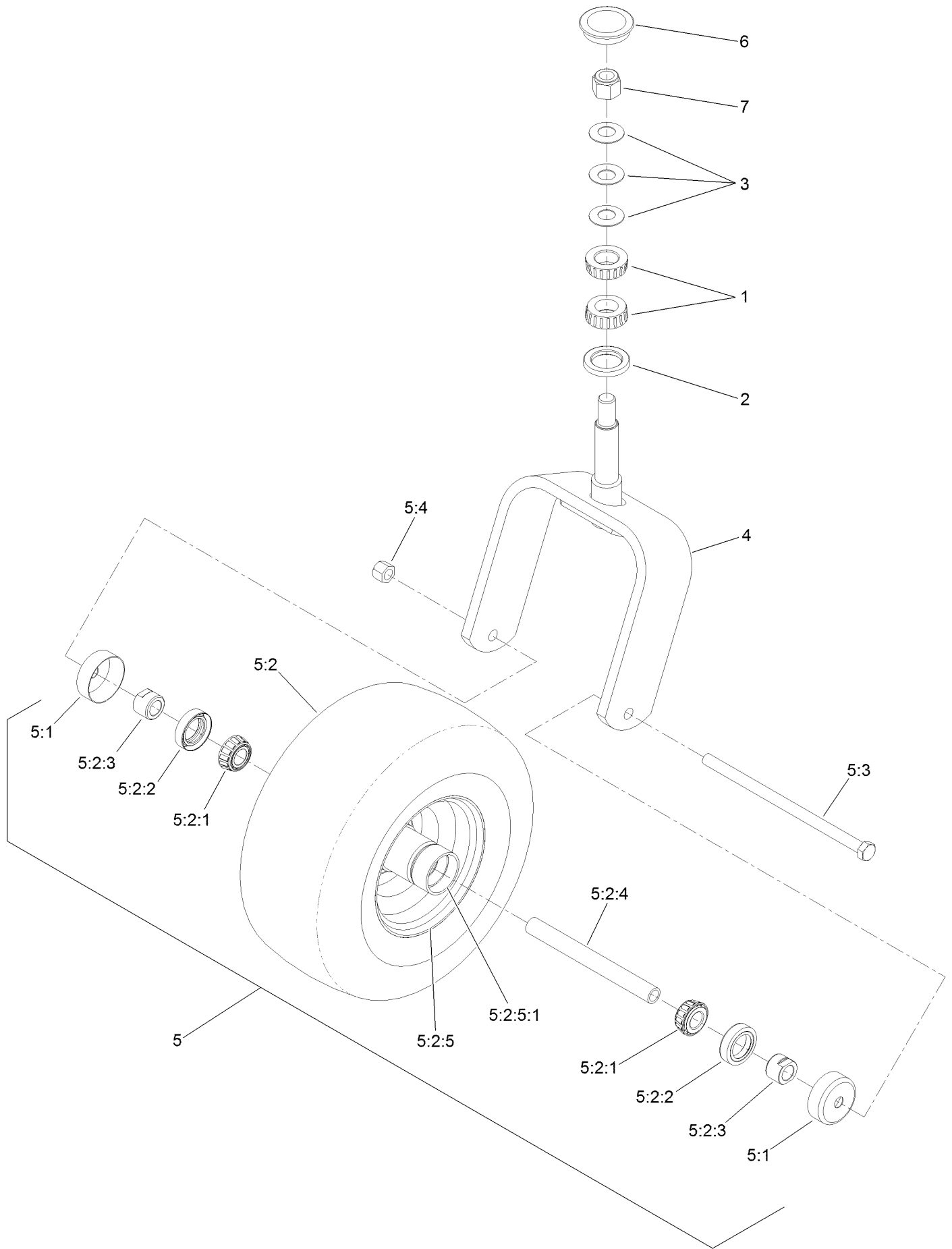


Front Caster and Fork Assembly (continued)

<i>Ref.</i>	<i>Part Number</i>	<i>Qty.</i>	<i>Description</i>
1		2	Caster Wheel ASM ●

● Not serviced separately

Caster Fork and Wheel Assembly



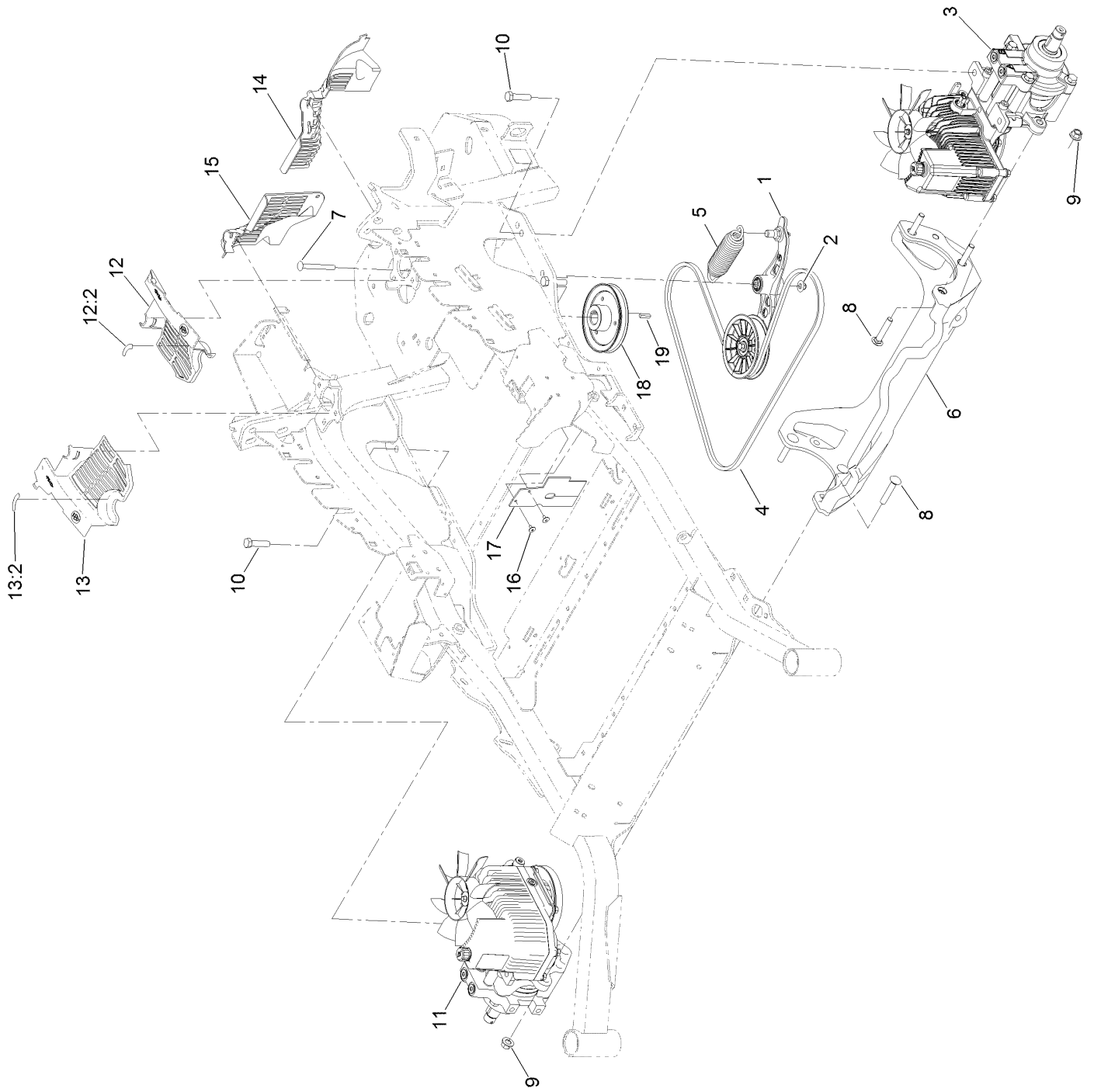
Caster Fork and Wheel Assembly (continued)

<i>Ref.</i>	<i>Part Number</i>	<i>Qty.</i>	<i>Description</i>	<i>Ref.</i>	<i>Part Number</i>	<i>Qty.</i>	<i>Description</i>
1	1-543509	2	Bearing-Roller, Tapered	5:2:3	103-3051	1	Spacer-Nut ■
2	116-5647	1	Seal-Grease	5:2:4	126-5361	1	Axle Caster ASM
3	1-633508	3	Washer-Bellville	5:2:5		1	Wheel And Tire ASM ●
4	116-6707-01	1	Caster	5:2:5:1	1-633584	2	Bearing-Cup
5	127-9528	1	Wheel And Axle ASM	5:3	325-39	1	Screw-HH
5:1	103-2768	2	Guard-Seal	5:4	3296-23	1	Nut-Lock, NI
5:2		1	Wheel And Bearing ASM ●	6	103-4882	1	Cap-Grease
5:2:1	1-633585	2	Bearing-Cone, Taper	7	3296-51	1	Nut-Lock, NI
5:2:2	103-0063	2	Seal-Caster				

● Not serviced separately

■ Use Pro-Lock, Nut Type (P/N 1-840022, .5ml tube) on threads.

Hydraulic Drive Assembly



Hydraulic Drive Assembly (continued)

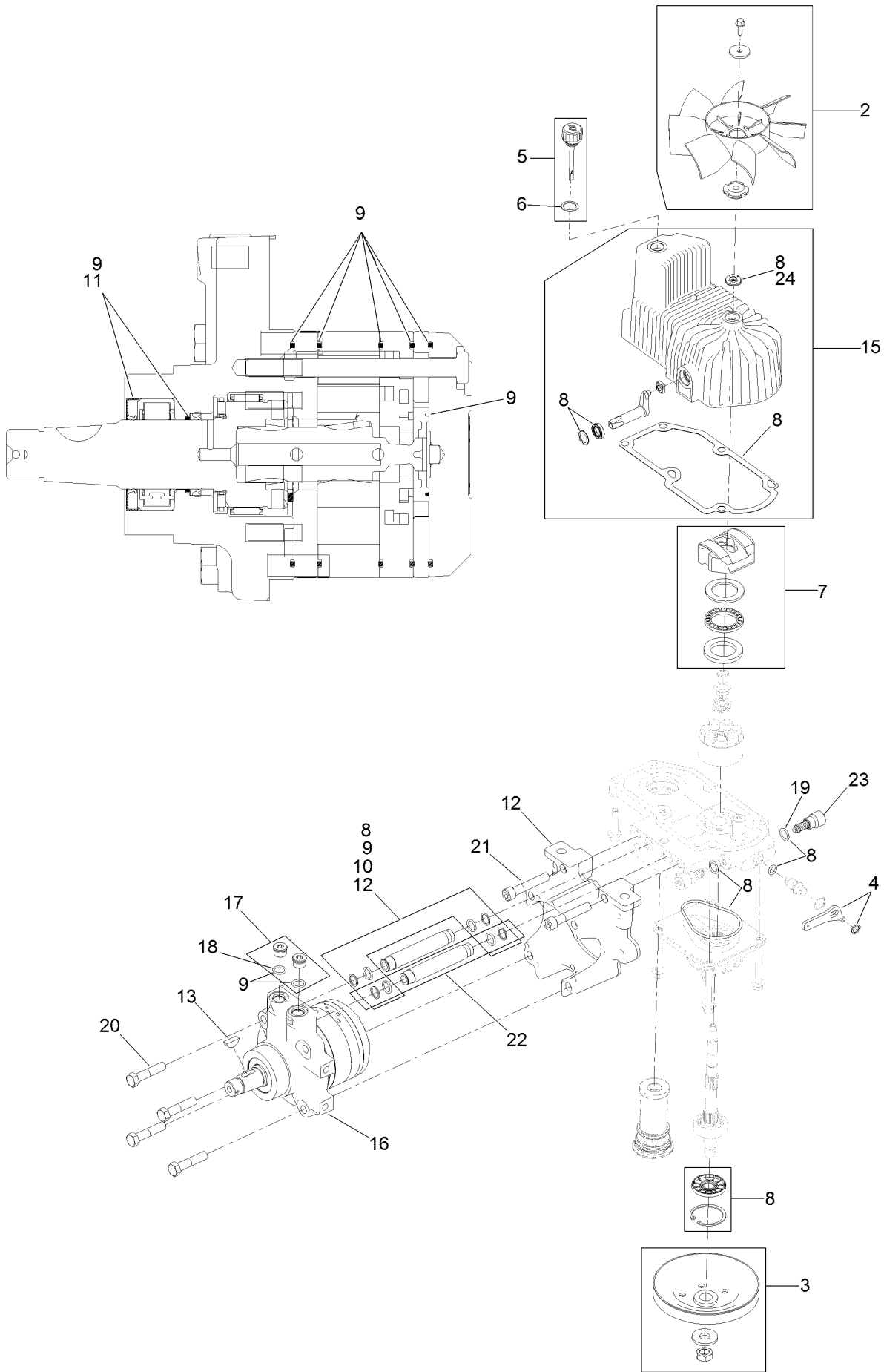
<i>Ref.</i>	<i>Part Number</i>	<i>Qty.</i>	<i>Description</i>	<i>Ref.</i>	<i>Part Number</i>	<i>Qty.</i>	<i>Description</i>
1	116-1255	1	Pump Idler ASM	12:2	116-8726	1	Decal-Oil, Hydro
2	109-6658	1	Nut-Flange, NI	13	116-0171	1	RH Hydro Guard ASM
3	126-1319	1	LH Hydro ASM (16Cc W/ Shock)	13:2	116-8726	1	Decal-Oil, Hydro
4	109-3388	1	Belt	14	109-9709	1	Guard-Hydro Rear, LH Trim
5	116-6317	1	Spring-Extension	15	109-9058	1	Guard-Hydro, Rear (RH)
6	116-7558	1	Cradle-Hydro	16	1-803035	2	Rivet-Pop
7	116-1502	1	Bolt-Shoulder, Carriage	17	116-2362	1	Deflector-Air Flow
8	126-0095	6	Screw-CARR	18	109-9905	1	Sheave
9	99-5107	6	Nut-Lock	19	1-807259	1	Key
10	325-8	4	Screw-HH	99	114-4713	1	Hypr-Oil 500 (Quart) ●
11	126-1320	1	RH Hydro ASM (16Cc W/ Shock)	99	114-4714	1	Hypr-Oil 500 (Gallon) ●
12	116-0170	1	LH Hydro Guard ASM	99	114-4715	1	Hypr-Oil 500-5 (5 Gallon) ●
				99	117-0390	1	Filter-Hydro ●

● Not illustrated

Pump Idler Assembly No. 116-1255 (continued)

<i>Ref.</i>	<i>Part Number</i>	<i>Qty.</i>	<i>Description</i>	<i>Ref.</i>	<i>Part Number</i>	<i>Qty.</i>	<i>Description</i>
2	43-0940	1	Spacer	8	323-8	1	Screw-HH
3	103-3504	2	Bearing-Spherical	9	32120-10	2	Ring-Snap
4	103-3505	1	Seal-Lip, Double	10	302-19	1	Fitting-Grease
5	103-3506	1	Seal-Lip, Single	11	109-8076	1	Pulley-Idler
6	109-6658	1	Nut-Flange, NI	12	132-4724	1	Pin-Anchor, Spring
7	106-7159	2	O-Ring				

LH Hydro Assembly No. 126-1319

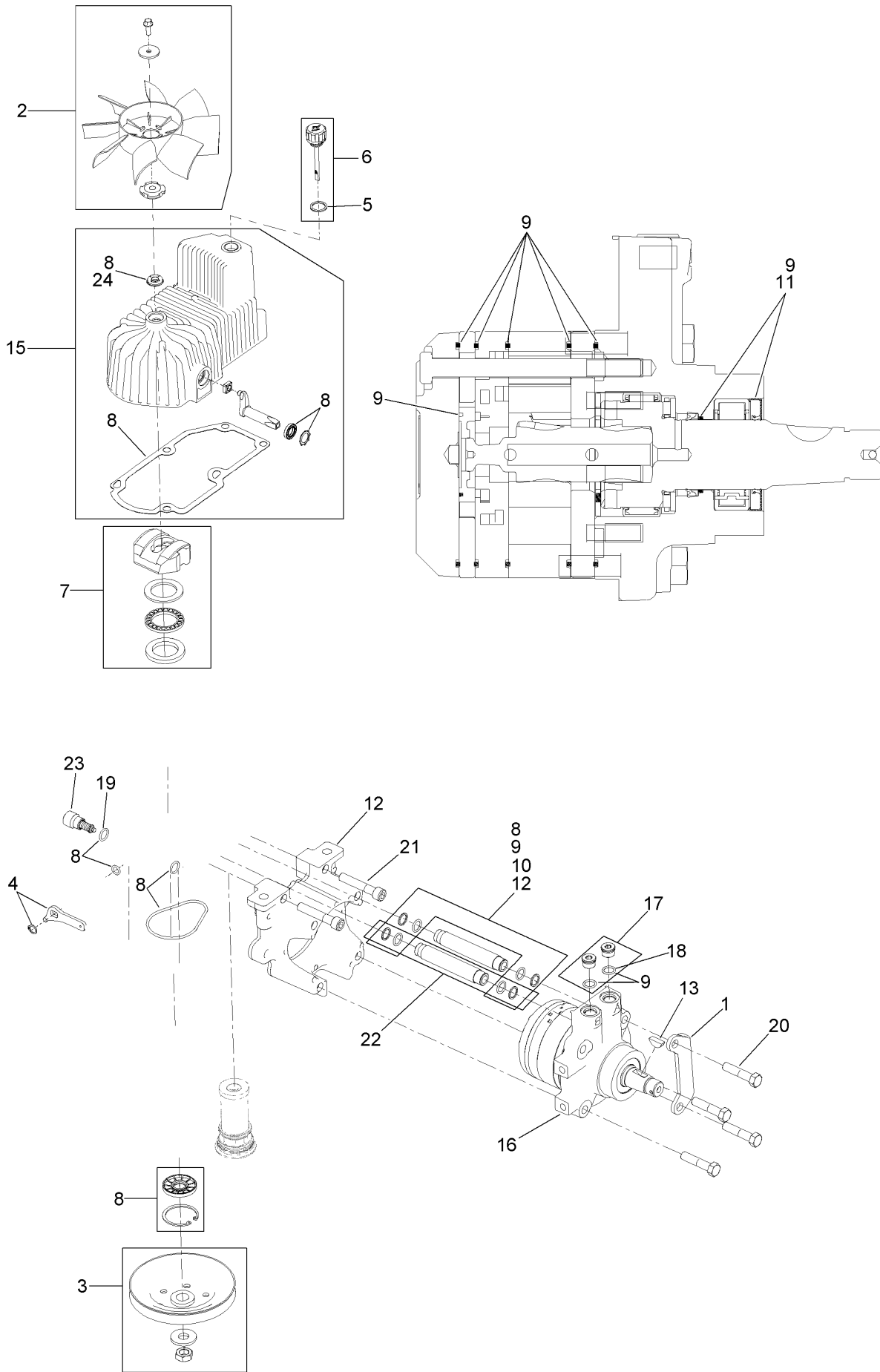


LH Hydro Assembly No. 126-1319 (continued)

<i>Ref.</i>	<i>Part Number</i>	<i>Qty.</i>	<i>Description</i>	<i>Ref.</i>	<i>Part Number</i>	<i>Qty.</i>	<i>Description</i>
2	116-0233	1	Fan Kit	13	3257-42	1	Key-Woodruff
3	116-0234	1	Pulley Kit	15	116-3287	1	Housing-LH
4	116-0235	1	Handle-Bypass Valve, Hydro	16	116-8917	1	Motor-Hydraulic, LH 280Cc
5	116-0236	1	Dipstick-Hydro W/Gasket	17	116-7901	1	Magnetic Plugs Service Kit
6	116-0237	1	Gasket-Dipstick, Hydro	18	76-1900	2	O-Ring
7	116-1367	1	Swash Block Kit	19	116-8662	2	O-Ring-Check Valve
8	116-1368	1	Pump Seal Kit	20	116-8974	4	Screw HH
9	116-1369	1	Motor Seal Kit	21	116-8975	2	Screw-HSH
10	116-1370	1	Tube Seal Kit	22	116-9922	2	Hydraulic Tube Kit
11	116-1371	1	Output Shaft Seal Kit	23	126-7467	2	Shock Valve, 16Cc Hydro
12	116-5469	1	Nose Cup-Uht	24	126-7711	1	Seal-Fan Drive
				99	116-1373	1	Flow Test Kit ●

● Not illustrated

RH Hydro Assembly No. 126-1320

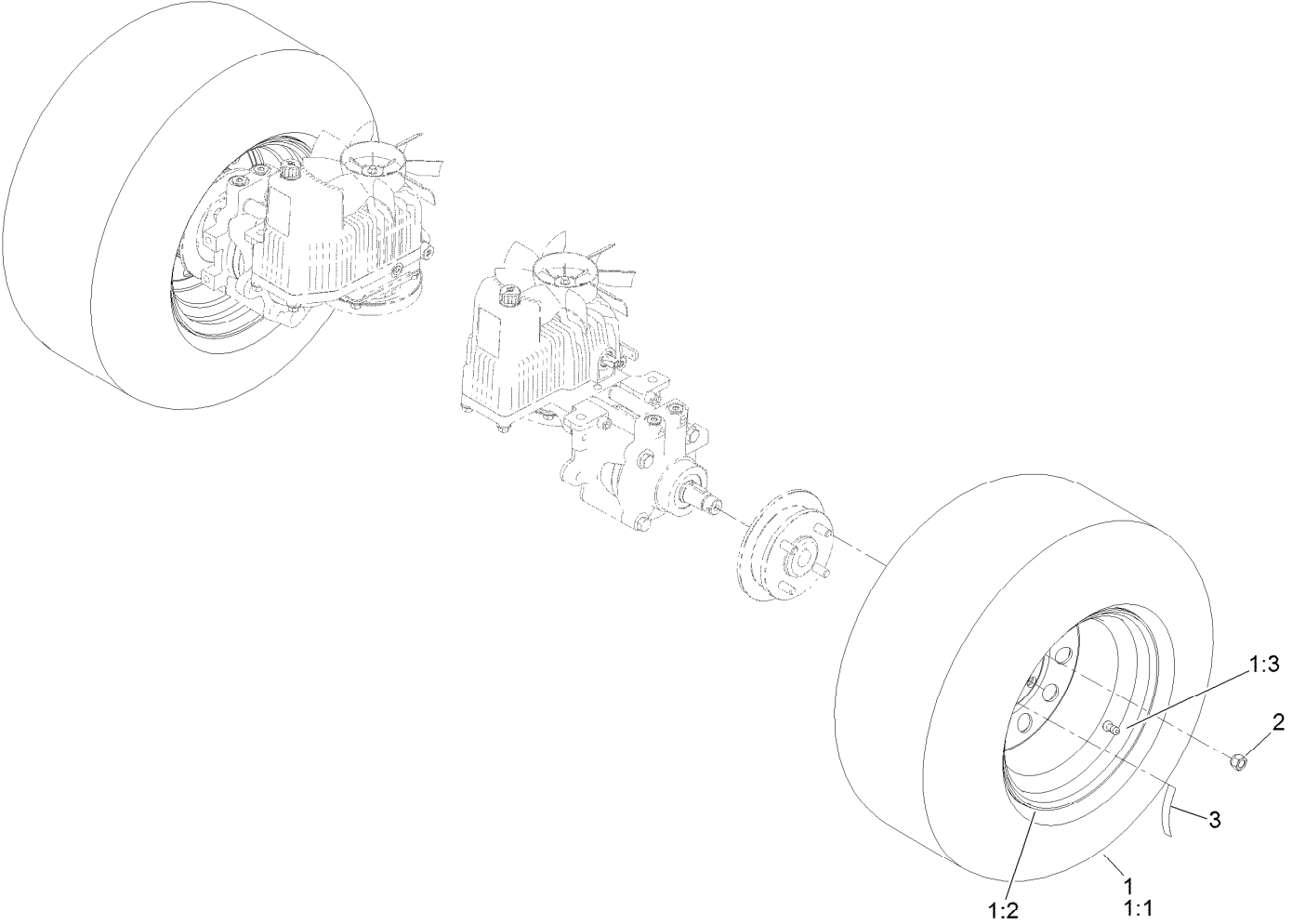


RH Hydro Assembly No. 126-1320 (continued)

<i>Ref.</i>	<i>Part Number</i>	<i>Qty.</i>	<i>Description</i>	<i>Ref.</i>	<i>Part Number</i>	<i>Qty.</i>	<i>Description</i>
1	116-9063	1	Mount-Shoe, Horse	13	3257-42	1	Key-Woodruff
2	116-0233	1	Fan Kit	15	116-3288	1	Housing-RH
3	116-0234	1	Pulley Kit	16	116-8918	1	Motor-Hydraulic, RH 280Cc
4	116-0235	1	Handle-Bypass Valve, Hydro	17	116-7901	1	Magnetic Plugs Service Kit
5	116-0237	1	Gasket-Dipstick, Hydro	18	76-1900	2	O-Ring
6	116-0236	1	Dipstick-Hydro W/Gasket	19	116-8662	2	O-Ring-Check Valve
7	116-1367	1	Swash Block Kit	20	116-8974	4	Screw HH
8	116-1368	1	Pump Seal Kit	21	116-8975	2	Screw-HSH
9	116-1369	1	Motor Seal Kit	22	116-9922	2	Hydraulic Tube Kit
10	116-1370	1	Tube Seal Kit	23	126-7467	2	Shock Valve, 16Cc Hydro
11	116-1371	1	Output Shaft Seal Kit	24	126-7711	1	Seal-Fan Drive
12	116-5469	1	Nose Cup-Uht	99	116-1373	1	Flow Test Kit ●
				99	116-4245	1	Puller-Pulley

● Not illustrated

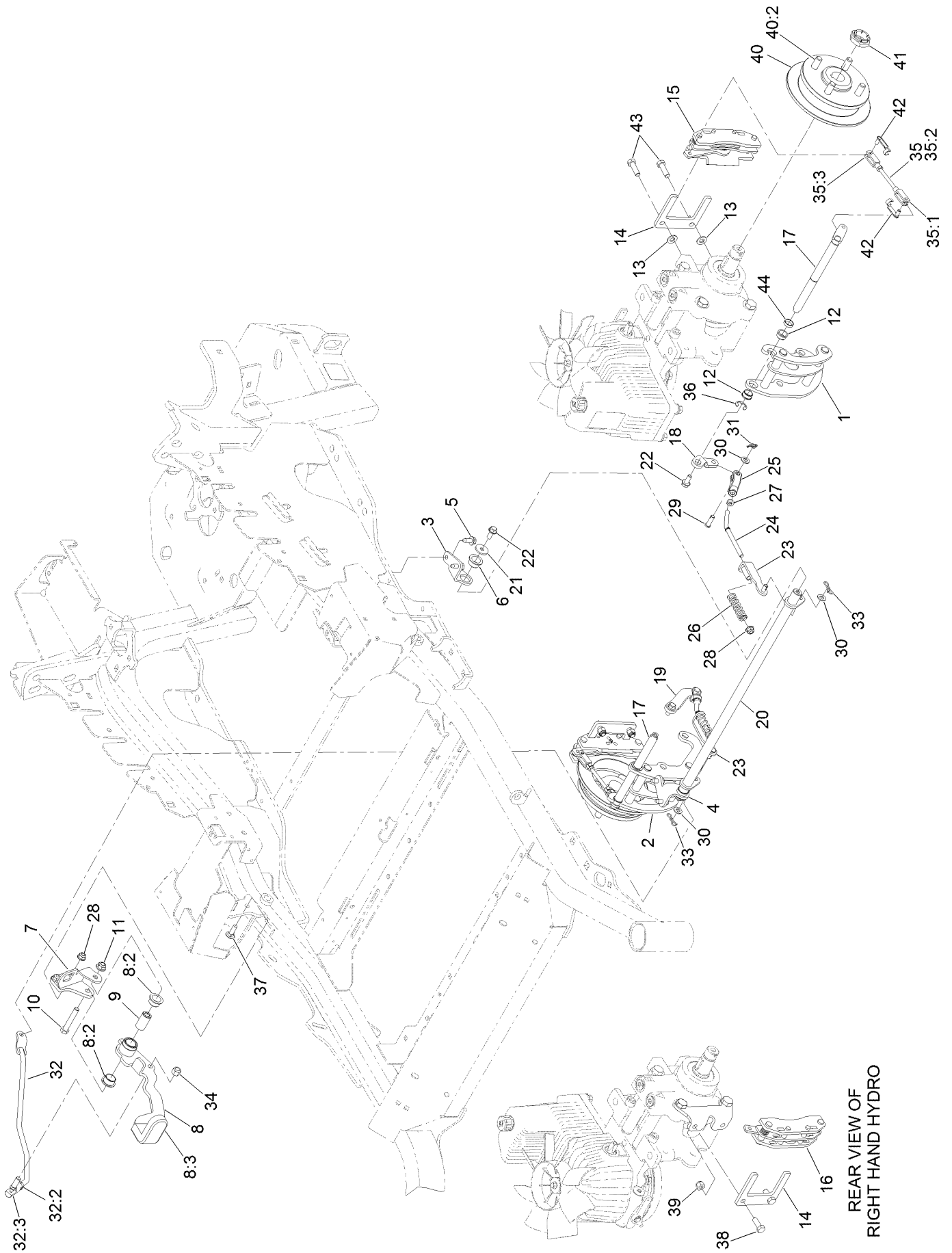
Rear Wheel Assembly



Rear Wheel Assembly (continued)

<i>Ref.</i>	<i>Part Number</i>	<i>Qty.</i>	<i>Description</i>	<i>Ref.</i>	<i>Part Number</i>	<i>Qty.</i>	<i>Description</i>
1	127-9521	2	Wheel And Tire ASM	2	242-50	8	Nut-Lug
1:1	1-633993	1	Tire	3	126-2055	2	Decal-Torque, Wheel Hub Lug
1:2	127-9522	1	Wheel				
1:3	232-27	1	Stem-Valve				

Park Brake Assembly

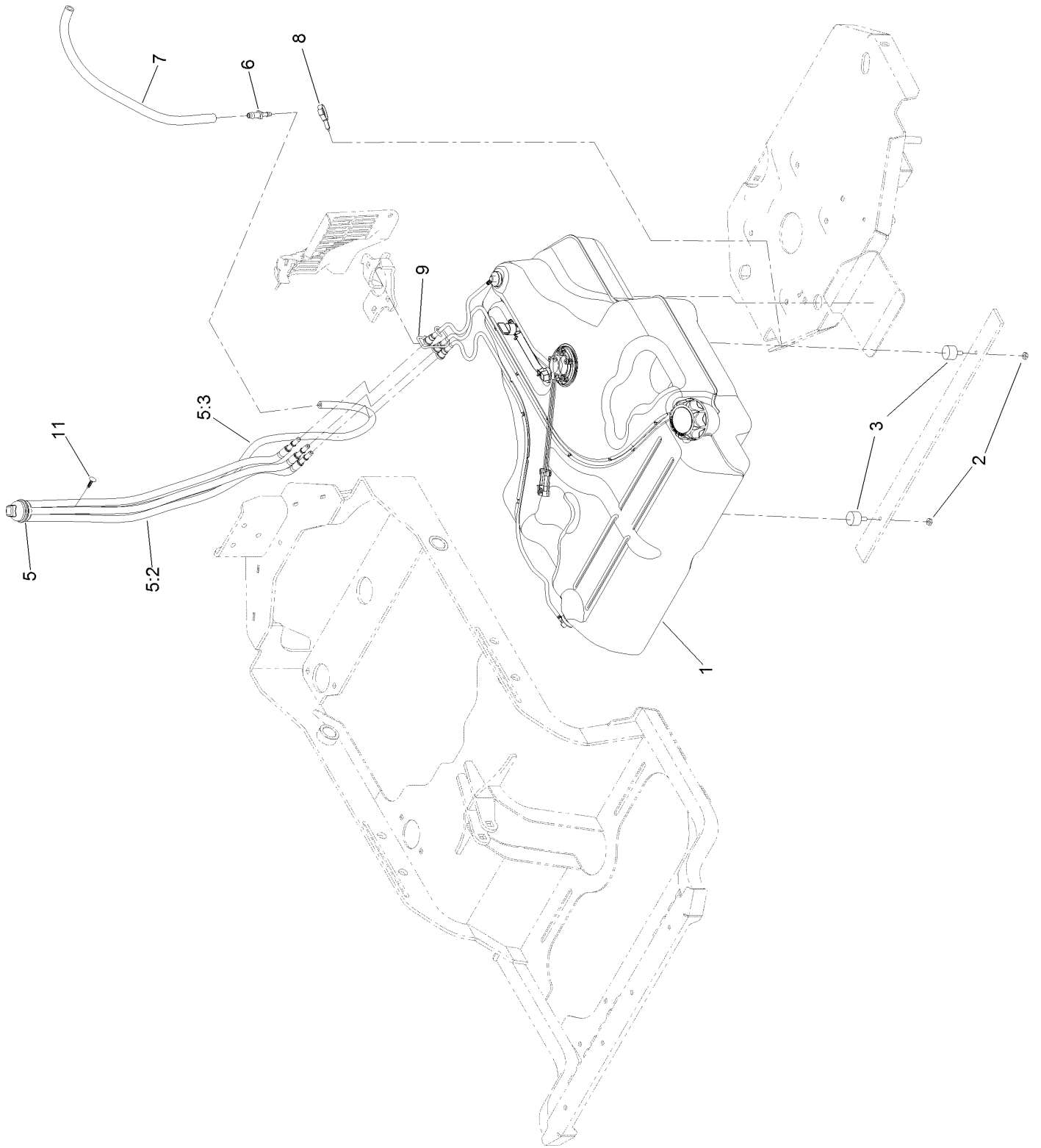


REAR VIEW OF
RIGHT HAND HYDRO

Park Brake Assembly (continued)

<i>Ref.</i>	<i>Part Number</i>	<i>Qty.</i>	<i>Description</i>	<i>Ref.</i>	<i>Part Number</i>	<i>Qty.</i>	<i>Description</i>
1	126-4248	1	Mount-Bellcrank, LH	25	126-3693	2	Yoke-Offset
2	126-4249	1	Mount-Bellcrank, RH	26	116-9085	2	Spring-Compression
3	116-9681	1	Mount-Pivot, LH	27	3220-2	2	Nut-Jam
4	116-9682	1	Mount-Pivot, RH	28	104-8300	4	Nut-HF, NI
5	32144-70	4	Screw-HWHTF	29	1-808280	2	Pin-Clevis
6	109-8054	2	Bushing-Flange	30	3256-23	4	Washer-Plain
7	116-9096-01	1	Bracket-Mount	31	116-6639	2	Pin-Cotter, Locking
8	131-4623	1	Brake Lever ASM W/ Grip	32	116-9102	1	Front Linkage ASM
8:2	109-8054	2	Bushing-Flange	32:2	94-7572	1	End-Tie Rod, RH
8:3	132-4749	1	Grip-Lever	32:3	3220-3	1	Nut-HJ
9	116-9117	1	Handle-Pivot, Brake	33	119-1415	2	Pin-Cotter, Locking
10	323-11	1	Screw-HH	34	3296-6	1	Nut-Lock
11	104-8301	1	Nut-HF, NI	35	126-7587	2	Rear Linkage ASM
12	126-6199	4	Bushing	35:1	126-7588	2	Yoke
13	3256-24	2	Washer-Flat	35:2	116-9069	1	Linkage, Rear
14	109-0958	2	Plate-Mount, Brake	35:3	3220-1	1	Nut-Jam
15	109-2889	1	Caliper-Brake	36	32120-19	2	E-Ring
16	116-9103	1	Caliper-Brake, RH	37	3230-2	2	Bolt-CARR
17	126-4251	2	Bellcrank	38	323-6	2	Screw-HH
18	126-3715	1	Arm-Inner, LH	39	3296-39	2	Nut-Lock, NI
19	126-3716	1	Arm-Inner, RH	40	116-1746	2	Wheel Hub ASM
20	116-9080	1	Shaft-Cross	40:2	116-1696	4	Stud-Wheel
21	115-7109	2	Washer-Flat	41	116-1399	2	Locknut
22	98-9940	4	Screw	42	126-6395	4	Pin-Clevis, Spring
23	116-9609	2	Bracket-L	43	92-5727	2	Screw-Lock, Patch
24	116-9086	2	Linkage-Mid	44	126-6200	2	Spacer

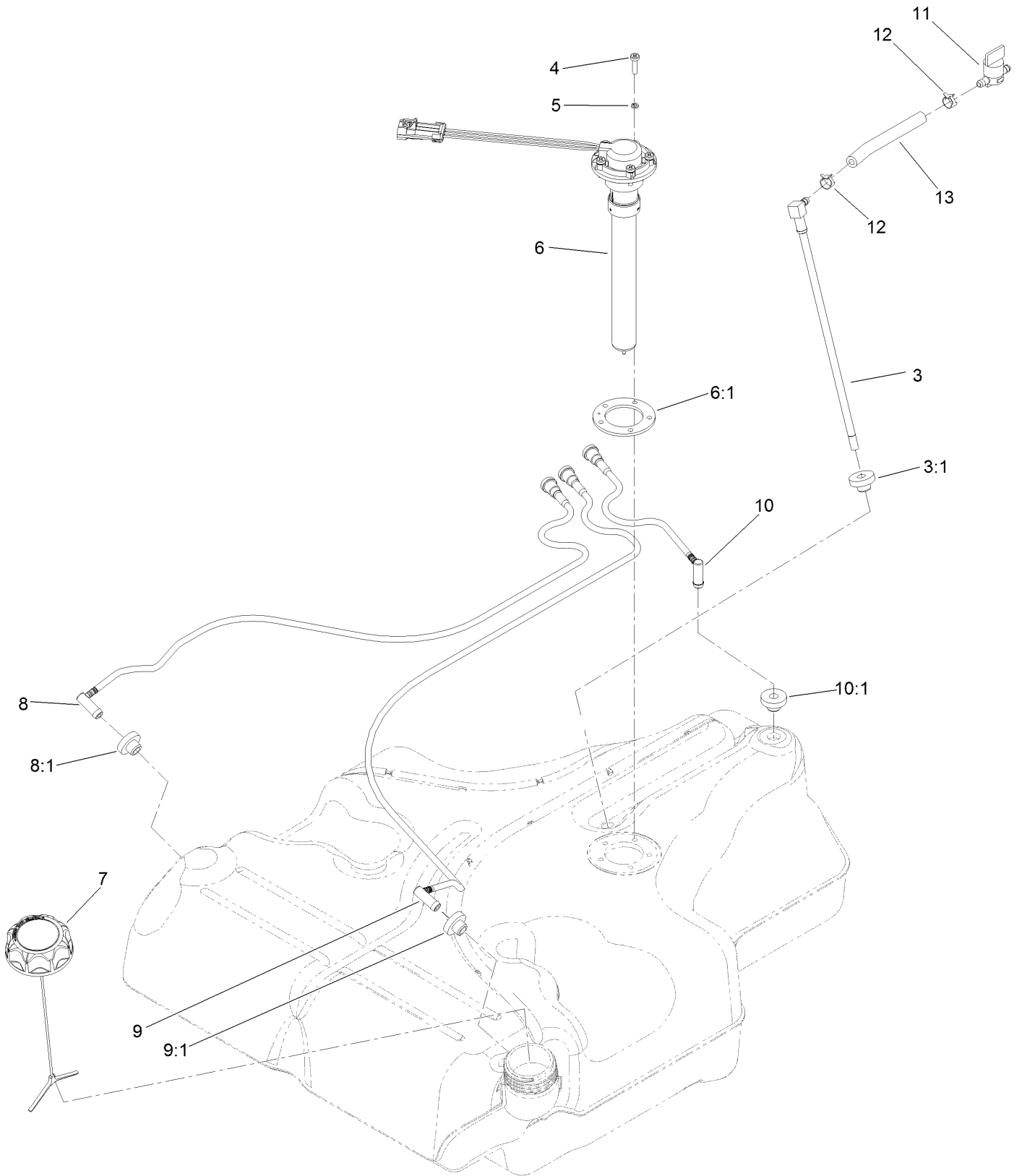
Fuel System Assembly



Fuel System Assembly (continued)

<i>Ref.</i>	<i>Part Number</i>	<i>Qty.</i>	<i>Description</i>	<i>Ref.</i>	<i>Part Number</i>	<i>Qty.</i>	<i>Description</i>
1	135-0643	1	Fuel Tank ASM	5:3	108-5376	1	Hose-Fuel
2	3218-1	2	Nut-Jam	6	116-5072	1	Fitting-Straight
3	1-523420	2	Bumper	7	116-5087	1	Hose-Fuel
5	127-0583	1	Fuel Manifold Vent ASM	8	105-1853	1	Clamp-Hose
5:2	109-0302	3	Hose-Fuel	9	116-6005	1	Retainer-Line, Vapor
5:2	109-0302	3	Hose-Fuel	11	125-8067	1	Plug-Plastic
5:3	108-5376	1	Hose-Fuel				

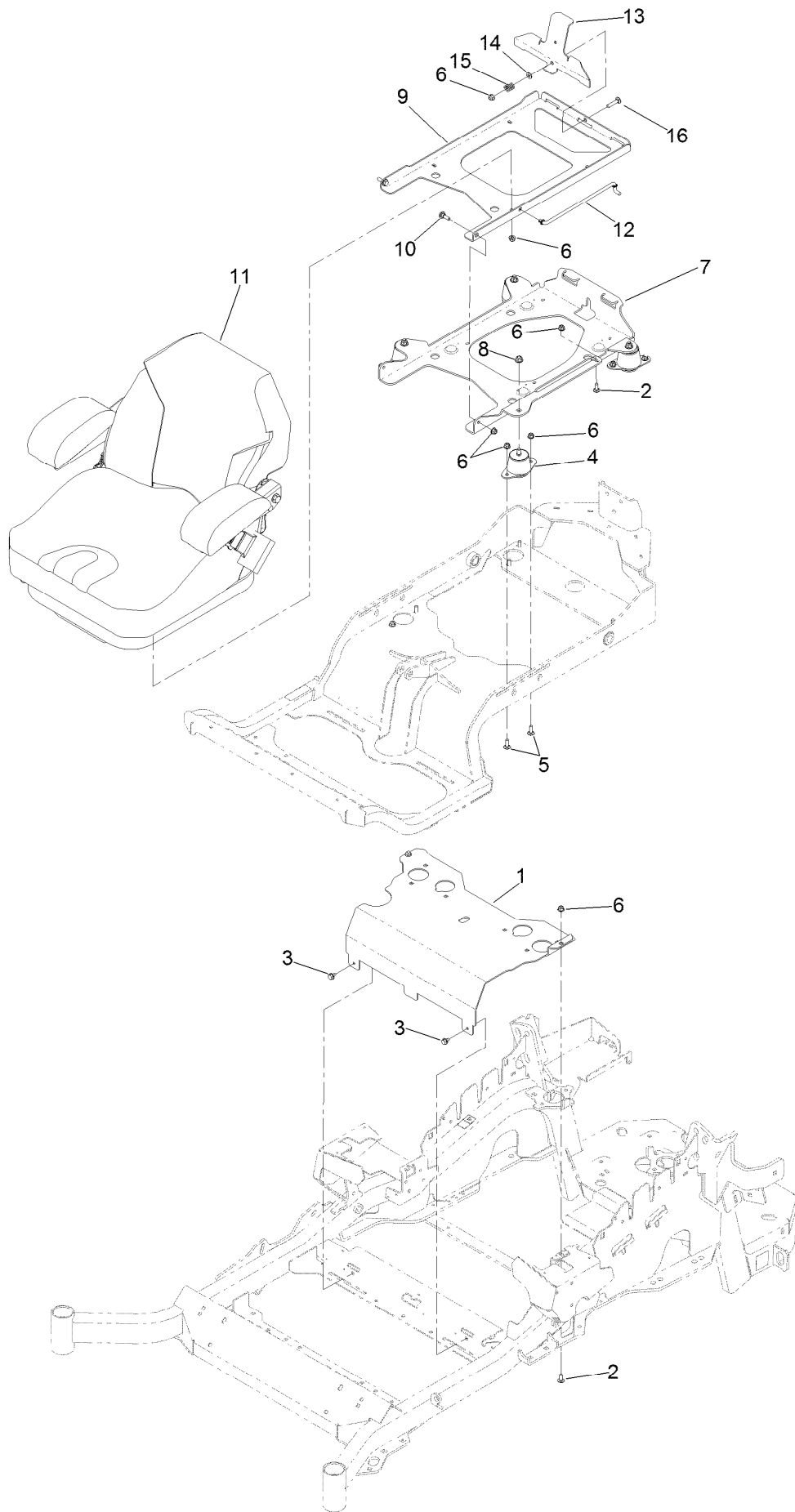
Fuel Tank Assembly No. 135-0643



Fuel Tank Assembly No. 135-0643 (continued)

<i>Ref.</i>	<i>Part Number</i>	<i>Qty.</i>	<i>Description</i>	<i>Ref.</i>	<i>Part Number</i>	<i>Qty.</i>	<i>Description</i>
3	116-2459	1	Fuel Line Kit (With Grommet)	8:1	46-6560	1	Bushing
3:1	46-6560	1	Bushing	9	116-2461	1	LH Vent Line Kit (With Grommet)
4	3290-500	5	Screw-PPH	9:1	46-6560	1	Bushing
5	3253-17	5	Washer-Lock	10	116-2462	1	Rear Vent Line Kit (With Grommet)
6	126-3913	1	Float-Sender, Fuel	10:1	46-6560	1	Bushing
6:1	126-3950	1	Gasket-Sender	11	1-603770	1	Valve-Fuel
7	126-1789	1	Cap-Fuel, Ratcheting	12	2412-98	2	Clamp-Hose
8	116-2460	1	RH Vent Line Kit (With Grommet)	13	109-0650	1	Hose-Fuel

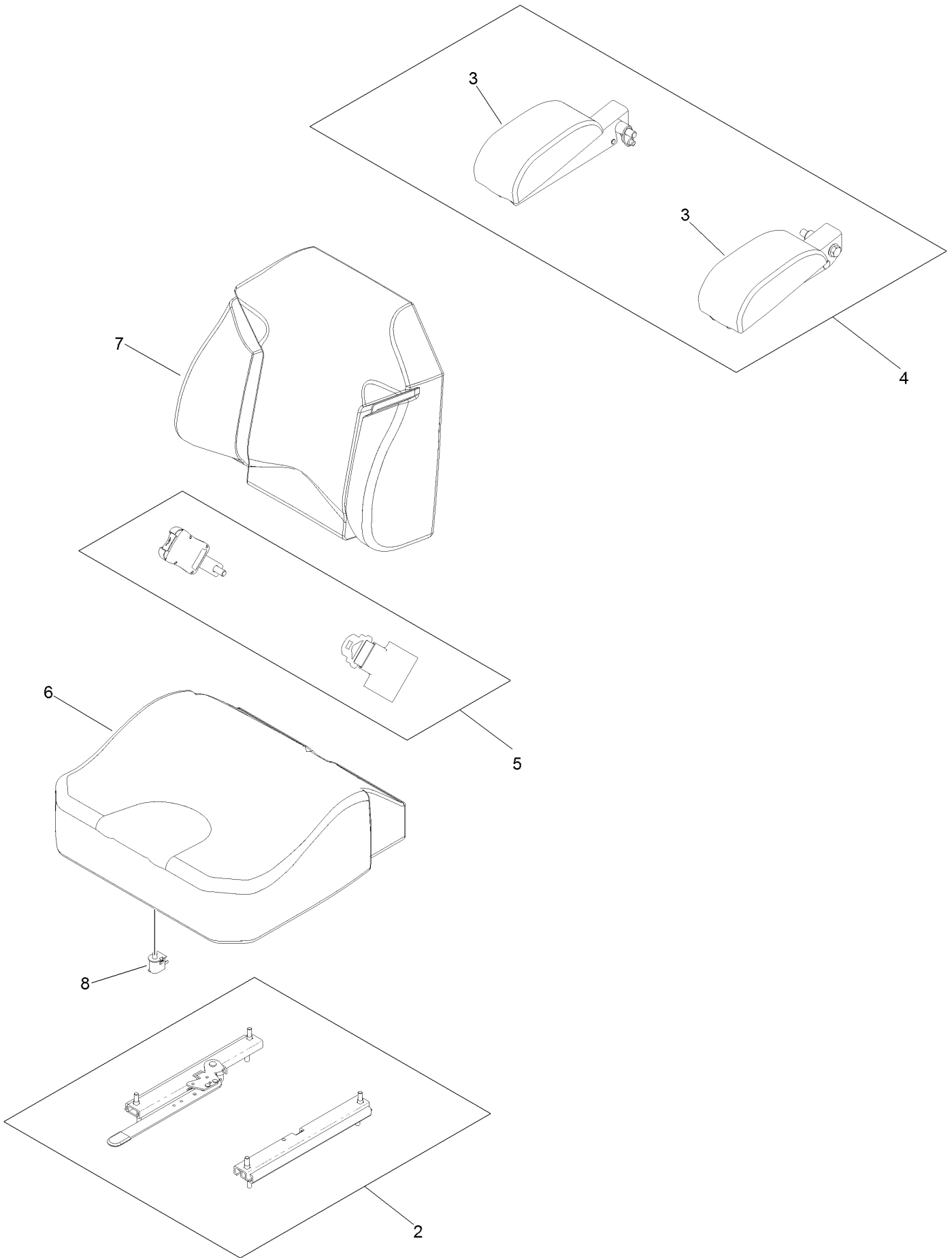
Seat Mounting Assembly



Seat Mounting Assembly (continued)

<i>Ref.</i>	<i>Part Number</i>	<i>Qty.</i>	<i>Description</i>	<i>Ref.</i>	<i>Part Number</i>	<i>Qty.</i>	<i>Description</i>
1	116-2130-03	1	Panel-Front, Seat Mount	9	116-3859-03	1	Plate-Frame, Seat
2	3230-23	3	Screw-CARR	10	116-1297	2	Screw-Shoulder
3	9266934	2	Screw	11	116-0035	1	Seat-Standard
4	109-9034	4	Isolator-Seat	12	116-0070	1	Rod-Prop
5	3230-10	8	Bolt-CARR	13	132-5088-03	1	Plate-Latch, Seat
6	104-8300	18	Nut-HF, NI	14	3256-23	1	Washer-Plain
7	131-6324-03	1	Plate-Support, ISO Seat	15	107-3017	1	Spring-Compression
8	104-8301	4	Nut-HF, NI	16	3230-4	1	Bolt-CARR

Seat Assembly No. 116-0035



Seat Assembly No. 116-0035 (continued)

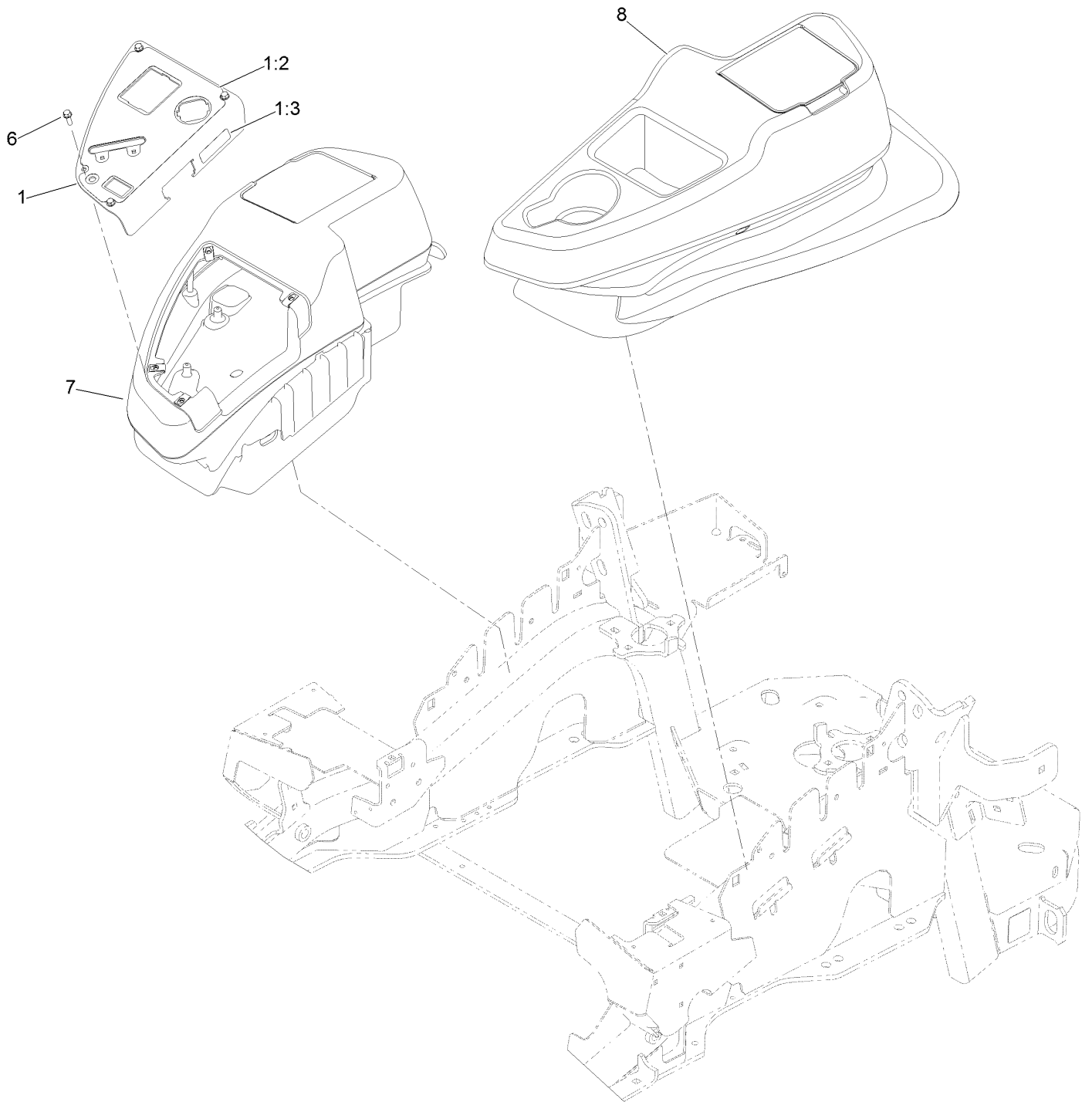
<i>Ref.</i>	<i>Part Number</i>	<i>Qty.</i>	<i>Description</i>	<i>Ref.</i>	<i>Part Number</i>	<i>Qty.</i>	<i>Description</i>
2	109-9801	1	Seat Track Set	6	109-9806	1	Cover-Cushion
3	109-9802	1	Arm Rest Pad Set	7	109-9808	1	Cover-Back
4	109-9803	1	Arm Rest Set	8	82-2190	1	Switch-Bail
5	109-9805	1	Seat Belt Kit				

Motion Control Assembly (continued)

<i>Ref.</i>	<i>Part Number</i>	<i>Qty.</i>	<i>Description</i>	<i>Ref.</i>	<i>Part Number</i>	<i>Qty.</i>	<i>Description</i>
1	116-0880	1	RH Motion Control And Bushing ASM	14	133-1839	1	RH Steering Handle ASM
1:2	109-8054	4	Bushing-Flange	14:2	109-5668	1	Grip-Control, Lever
2	116-0881	1	LH Motion Control And Bushing ASM	15	133-1841	1	LH Steering Handle ASM
2:2	109-8054	4	Bushing-Flange	15:2	109-5668	1	Grip-Control, Lever
3	116-0648	2	Screw-HH, Thread Locking ●	16	104-8301	4	Nut-HF, NI
4	109-4581	2	Arm-Control, Pump	17	323-7	4	Screw-HH
5	9080046	2	Screw-HH ●	18	109-5575	2	Spring-Leaf
6	1-303435	2	Washer-Spring	19	109-8106	2	Front Pump Linkage ASM
7	116-0027	2	Damper-Control, Motion	19:2	3219-2	2	Nut-Hex
8	104-8300	8	Nut-HF, NI	19:3	1-323245	2	Spring-Compression
9	3230-2	2	Bolt-CARR	19:4	1-633152	1	Balljoint-LH
10	109-5891	2	Hub-Threaded	19:5	1-543017	1	Balljoint-RH
11	325-12	2	Screw-HH	20	109-9505	4	Washer-Spring
12	116-0039	1	Lever-Control Motion, RH	21	3256-6	2	Washer-Flat
13	116-0040	1	Lever-Control Motion, LH	22	32128-56	2	Nut-HF
				23	3256-23	2	Washer-Plain
				24	3218-5	2	Nut-Jam
				25	115-1794	2	Screw-HHF

● Use Pro-Lock, Nut Type (P/N 1-840022, .5ml tube) on threads.

Console and Control Assembly

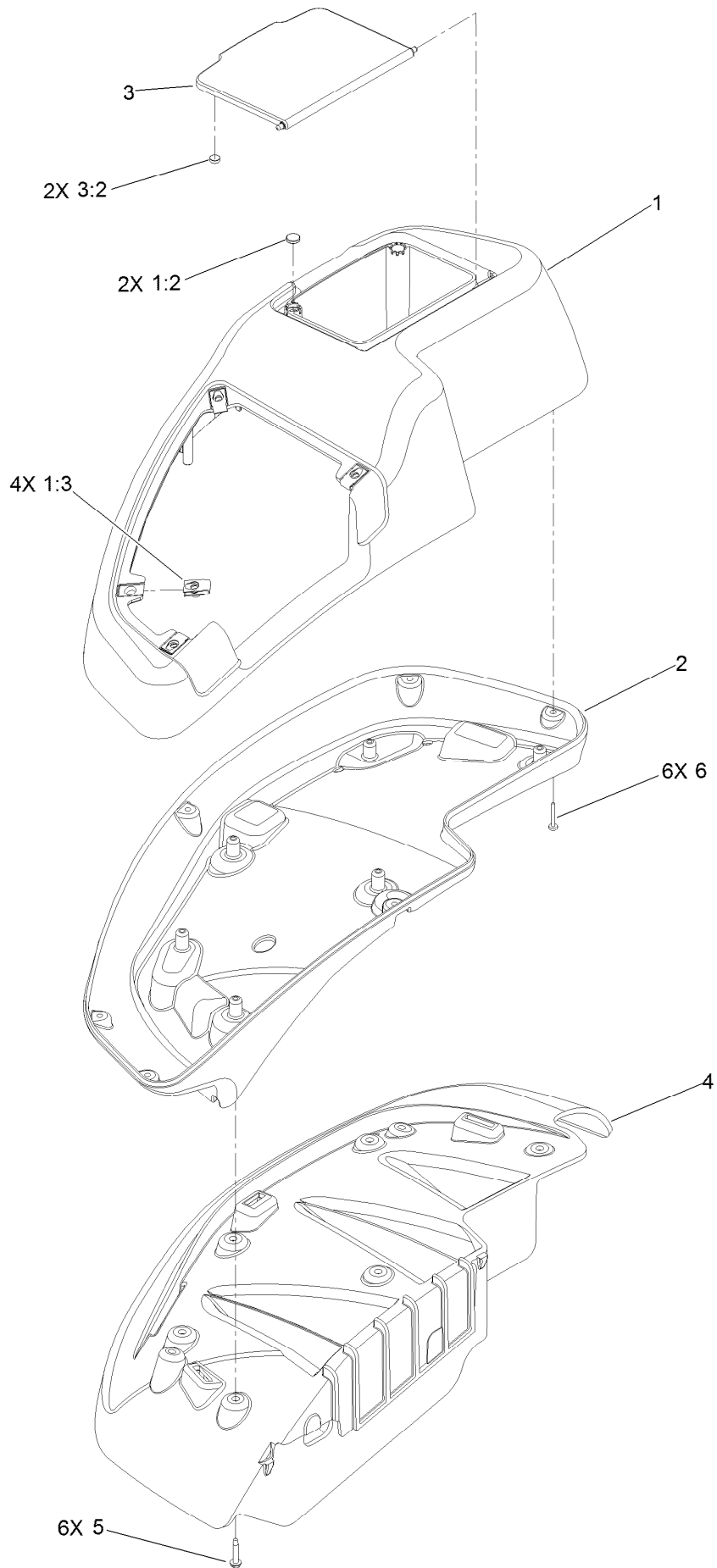


Console and Control Assembly (continued)

<i>Ref.</i>	<i>Part Number</i>	<i>Qty.</i>	<i>Description</i>
1	114-9836	1	Control Panel ASM
1:2	120-5897	1	Decal-Panel, Control
1:3	114-4466	1	Decal-Fuses

<i>Ref.</i>	<i>Part Number</i>	<i>Qty.</i>	<i>Description</i>
6	32105-15	4	Screw-HWH
7	115-7400	1	RH Console ASM
8	115-7401	1	LH Console ASM

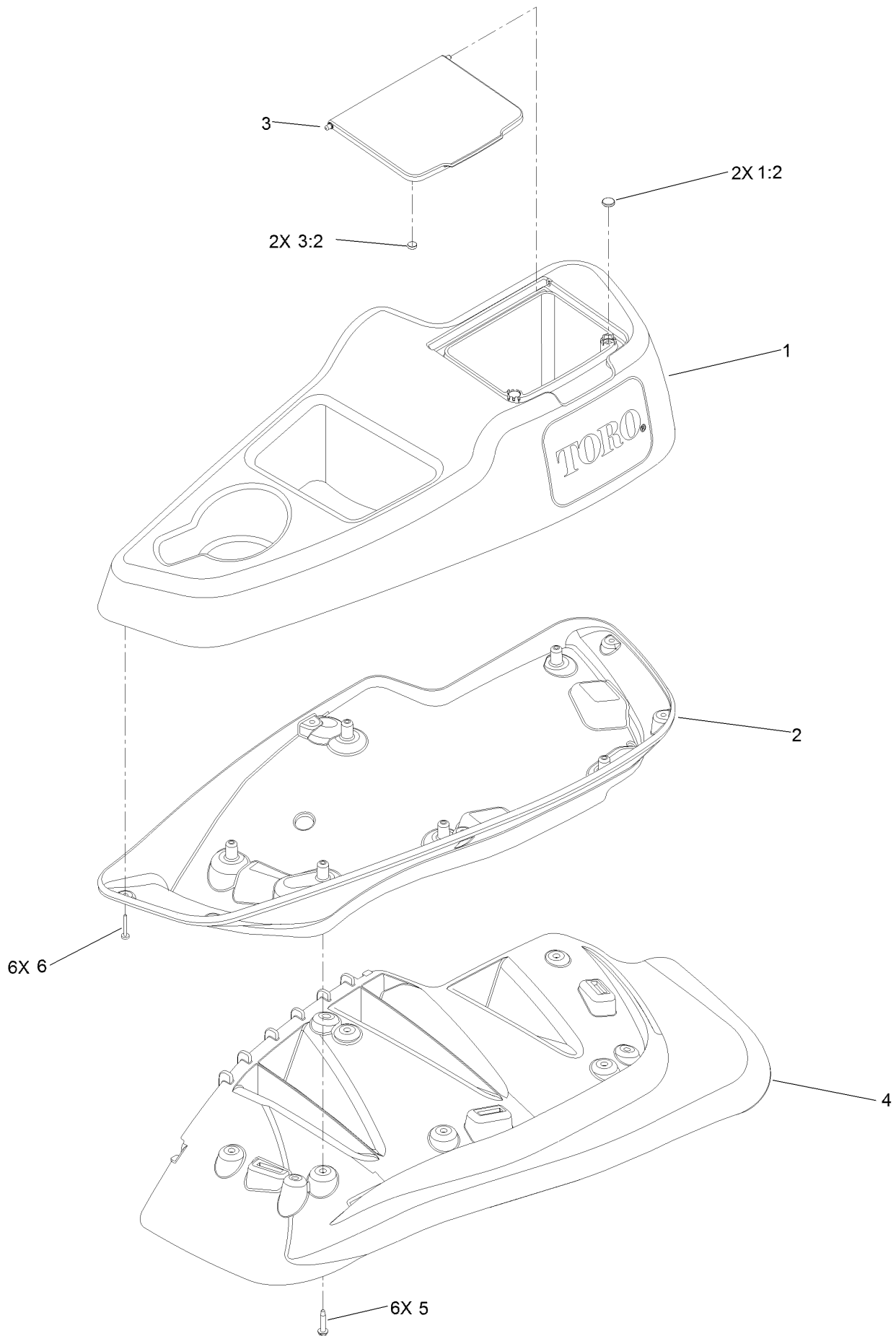
RH Console Assembly No. 115-7400



RH Console Assembly No. 115-7400 (continued)

<i>Ref.</i>	<i>Part Number</i>	<i>Qty.</i>	<i>Description</i>	<i>Ref.</i>	<i>Part Number</i>	<i>Qty.</i>	<i>Description</i>
1	114-1538	1	RH Wide Top Console ASM	3:2	114-5896	2	Magnet
1:2	117-0883	2	Puck	4	109-9083	1	Fender-Wide, RH
1:3	107069	4	Clip	5	32144-89	6	Screw-Thread Forming
2	115-3643	1	Console-Lower, RH Wide	6	117-0347	6	Screw-PPH
3	114-1537	1	Wide Lid ASM				

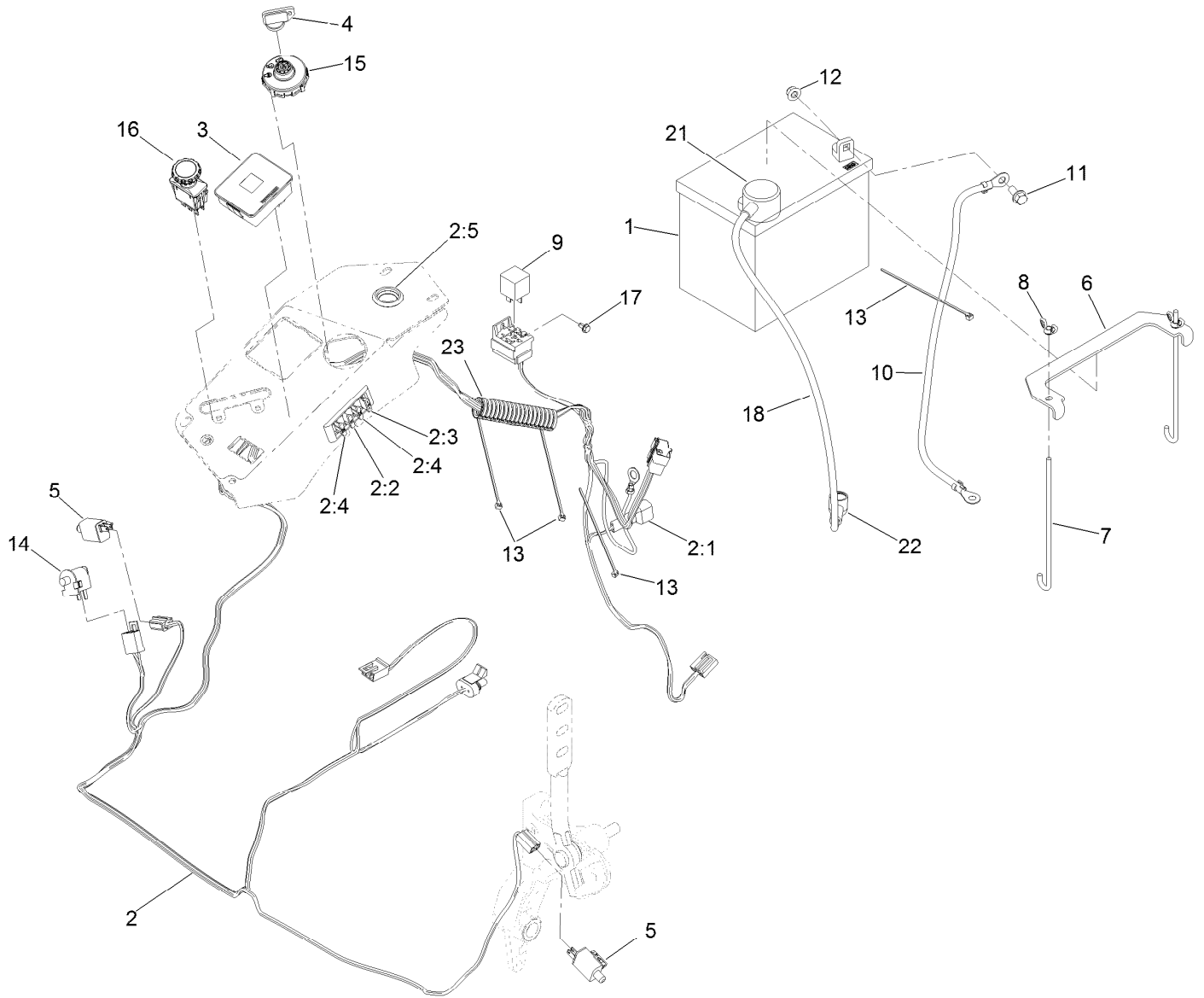
LH Console Assembly No. 115-7401



LH Console Assembly No. 115-7401 (continued)

<i>Ref.</i>	<i>Part Number</i>	<i>Qty.</i>	<i>Description</i>	<i>Ref.</i>	<i>Part Number</i>	<i>Qty.</i>	<i>Description</i>
1	114-1539	1	LH Wide Console Top ASM	3:2	114-5896	2	Magnet
1:2	117-0883	2	Puck	4	109-9085	1	Fender-Wide, LH
2	115-3641	1	Console-Lower, LH Wide	5	32144-89	6	Screw-Thread Forming
3	114-1537	1	Wide Lid ASM	6	117-0347	6	Screw-PPH

Electrical Assembly

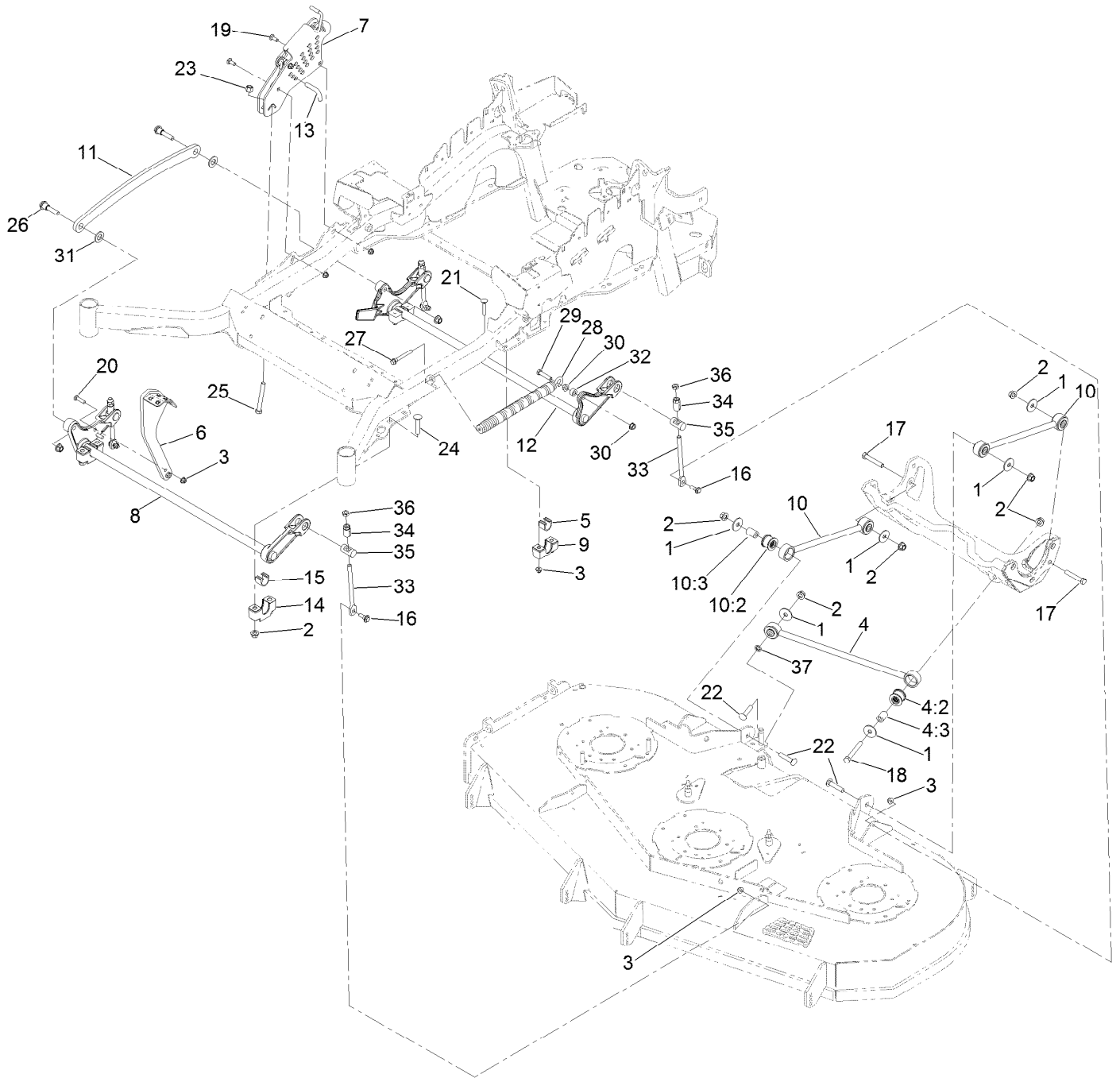


Electrical Assembly (continued)

<i>Ref.</i>	<i>Part Number</i>	<i>Qty.</i>	<i>Description</i>	<i>Ref.</i>	<i>Part Number</i>	<i>Qty.</i>	<i>Description</i>
1	104-8162	1	Battery-Dry	9	1-643275	1	Relay
2	116-6009	1	Harness-Wire, Main ●	10	114-1218	1	Cable-Battery, Negative
2:1	103-3895	1	Diode	11	3234-5	2	Screw-HHF
2:2	218-578	1	Fuse-Blade, 10 Amp	12	104-8300	2	Nut-HF, NI
2:3	109355	1	Fuse-Blade, 15 Amp	13	1-303287	4	Tie-Cable
2:4	109102	2	Fuse-Blade, 25 Amp	14	82-2190	1	Switch-Bail
2:5	116-0053	1	Cap-Plug	15	137-4100	1	Switch-Ignition
3	117-3882	1	Fuel/Hour Meter ASM	16	116-0124	1	Switch-PTO, 10 Amp
4	1-603511	1	Keys-Ignition (Spare Pair)	17	104-2065	1	Screw-HWH
4	63-8360	1	Key-Ignition	18	115-3864	1	Cable-Battery, Positive
5	110-6765	2	Switch	21	109-2407	1	Insulator-Battery
6	116-0042-03	1	Strap-Tie Down, Battery	22	1-543393	1	Insulator-Solenoid
7	1-633651	2	Bolt-Holddown	23	131-8846	1	Cover-Hose
8	1-543792	2	Wingnut				

● Use dielectric grease on all unsealed connectors and terminals only. Do not apply in sealed connectors.

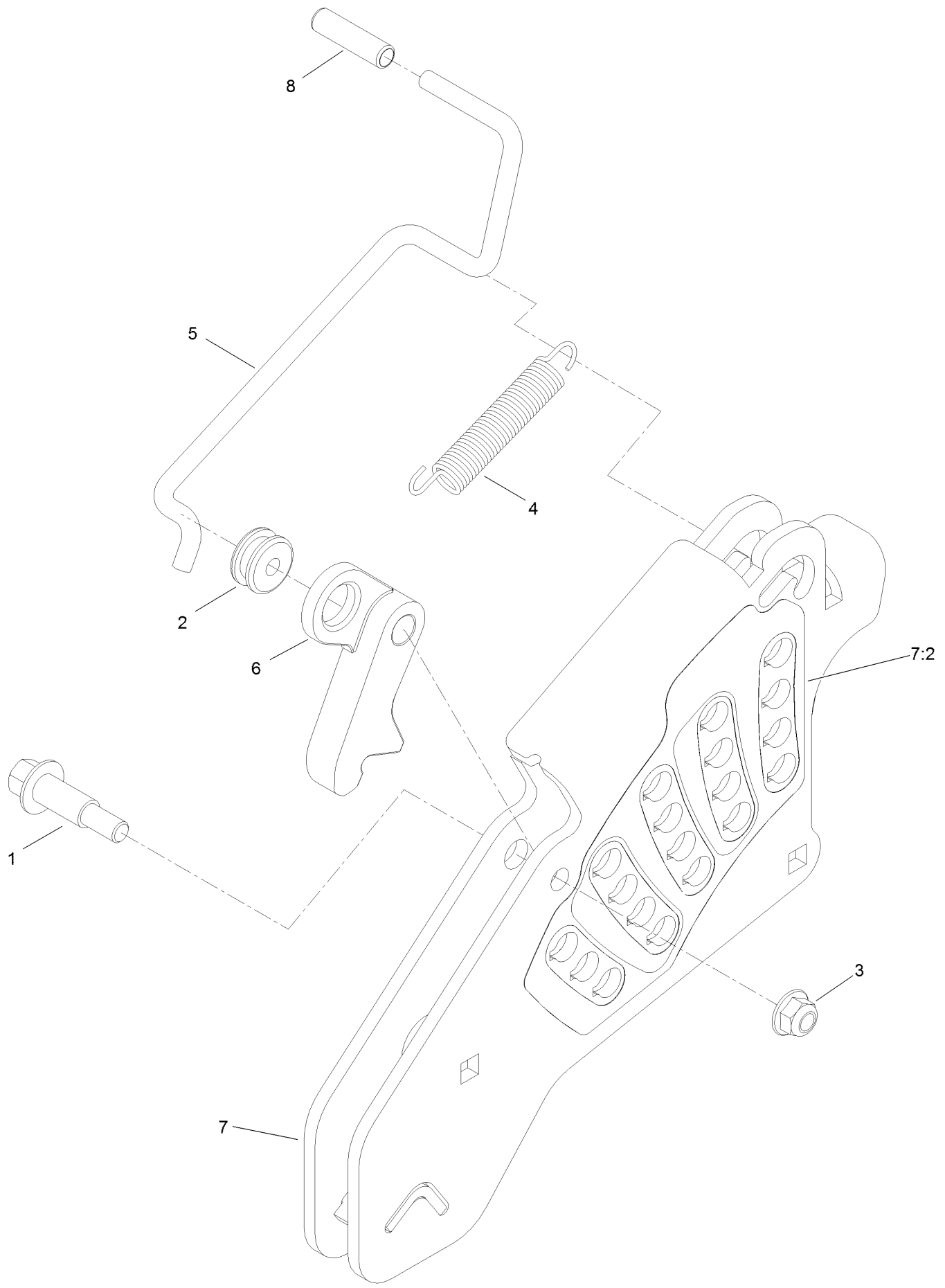
Deck Lift Assembly



Deck Lift Assembly (continued)

<i>Ref.</i>	<i>Part Number</i>	<i>Qty.</i>	<i>Description</i>	<i>Ref.</i>	<i>Part Number</i>	<i>Qty.</i>	<i>Description</i>
1	86-1990	6	Washer-Thrust	16	109-9840	4	Screw-Shoulder, HHF
2	99-5107	12	Nut-Lock	17	325-12	2	Screw-HH
3	104-8301	12	Nut-HF, NI	18	325-17	1	Screw-HH
4	109-5013	1	Panhard Rod ASM	19	3231-2	2	Bolt-CARR
4:2	109-5009	2	Bushing-Suspension, Rubber	20	3231-4	2	Screw-CARR
4:3	109-5010	2	Spacer	21	3231-7	4	Screw-CARR
5	109-7173	2	Bearing-Cross Shaft, Rear	22	3233-34	3	Screw-CARR
6	131-8812-01	1	Lever-Foot	23	3296-23	1	Nut-Lock, NI
7	109-7438	1	HOC ASM	24	116-1700	4	Bolt-CARR
8	126-2477-03	1	Decklift-Front	25	116-0559	1	Bolt-TAP
9	127-0553	2	Support-Cross Shaft, Bearing Rear	26	116-2022	2	Screw-HHF, Shoulder
10	109-7952	2	Deck Strut ASM	27	92-7674	1	Bolt-Shoulder
10:2	109-5009	2	Bushing-Suspension, Rubber	28	116-0000	1	Spring-Extension
10:3	109-5010	2	Spacer	29	109-9065	1	Screw-HH
11	116-0797-03	1	Link-Lift, Deck	30	32128-37	2	Nut-HF
12	116-2645-03	1	Lift-Deck, Rear	31	3256-28	2	Washer-Flat
13	116-5584	1	Pin-HOC	32	116-2695	1	Spacer
14	109-9409	2	Support-Cross Shaft, Bearing	33	109-8007	4	Link-Adjuster, Deck Lift
15	109-9410	2	Bearing-Cross Shaft, Front	34	109-7840	4	Adjuster-Lift, Deck
				35	109-8353	4	Trunnion
				36	3218-5	4	Nut-Jam
				37	126-2916	1	Nut-Push

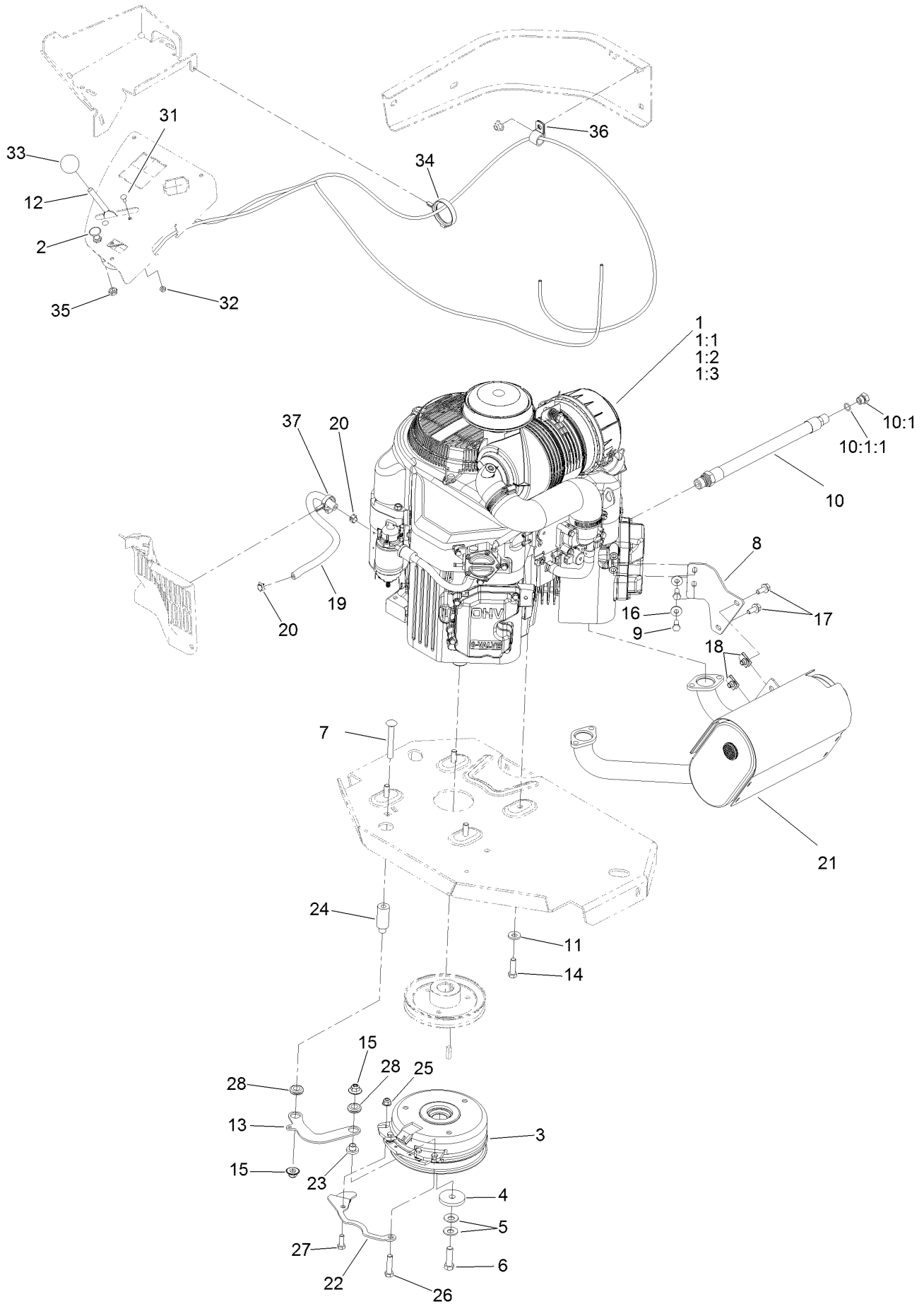
Height-of-Cut Assembly No. 109-7438



Height-of-Cut Assembly No. 109-7438 (continued)

<i>Ref.</i>	<i>Part Number</i>	<i>Qty.</i>	<i>Description</i>	<i>Ref.</i>	<i>Part Number</i>	<i>Qty.</i>	<i>Description</i>
1	62-1330	1	Bolt-Shoulder	6	116-0118	1	Pawl-Transport, HOC
2	109-7130	1	Grommet	7	109-7335	1	HOC Plate ASM
3	104-8301	1	Nut-HF, NI	7:2	126-4398	1	Decal-HOC
4	109-7124	1	Spring-Extension	8	109-8250	1	Grip-Lever
5	109-7128	1	Rod-Lock, Transport				

Engine, Clutch and Muffler Assembly



Engine, Clutch and Muffler Assembly (continued)

<i>Ref.</i>	<i>Part Number</i>	<i>Qty.</i>	<i>Description</i>	<i>Ref.</i>	<i>Part Number</i>	<i>Qty.</i>	<i>Description</i>
1		1	Engine-Kawasaki, Fx921V-S04-R ■▲	14	323-7	4	Screw-HH
1:1		1	Kawasaki 49065-7007 Engine Oil Filter ■▲	15	109-6658	2	Nut-Flange, NI
1:2		1	Kawasaki 11013-7044 Engine Air Filter ■▲	16	1-303334	2	Washer-Spring
1:3		1	Kawasaki 11013-7045 Safety Filter ■▲	17	3234-5	2	Screw-HHF
2	133-1873	1	Cable-Choke	18	94-2413	2	Nut-U
3	126-4185	1	Clutch Kit	19	109-0296	1	Hose-Fuel
4	109-6919	1	Washer-Clutch	20	2412-98	2	Clamp-Hose
5	1-603610	2	Washer-Spring	21	116-1707	1	Muffler
6	109-9761	1	Screw-HH □	22	116-3331-01	1	Belt-Guide
7	3231-42	1	Screw-CARR	23	116-3318	1	Spacer
8	116-1587	1	Bracket-Muffler	24	116-3319	1	Spacer
9	33114-020	2	Screw-HH	25	104-8300	1	Nut-HF, NI
10	116-4924	1	Engine Oil Drain Hose ASM ◆	26	323-8	1	Screw-HH
10:1	353-508	1	Plug-HH ●	27	322-4	1	Screw-HH
10:1:1	237-42	1	O-Ring	28	93-5108	2	Grommet-Rubber
11	98-5975	4	Washer-Belleville	31	1-807513	2	Bolt-CARR
12	133-1816	1	Throttle-Control	32	3296-2	2	Nut-Lock, NI
13	116-3317-01	1	Link-Anchor, Clutch	33	1-603175	1	Knob-Ball
				34	117-7817	1	Clamp-Harness
				35	3220-3	1	Nut-HJ
				36	1-633396	1	Clip-Loom
				37	105-1853	3	Clamp-Hose

● Torque to 24-26 ft-lb

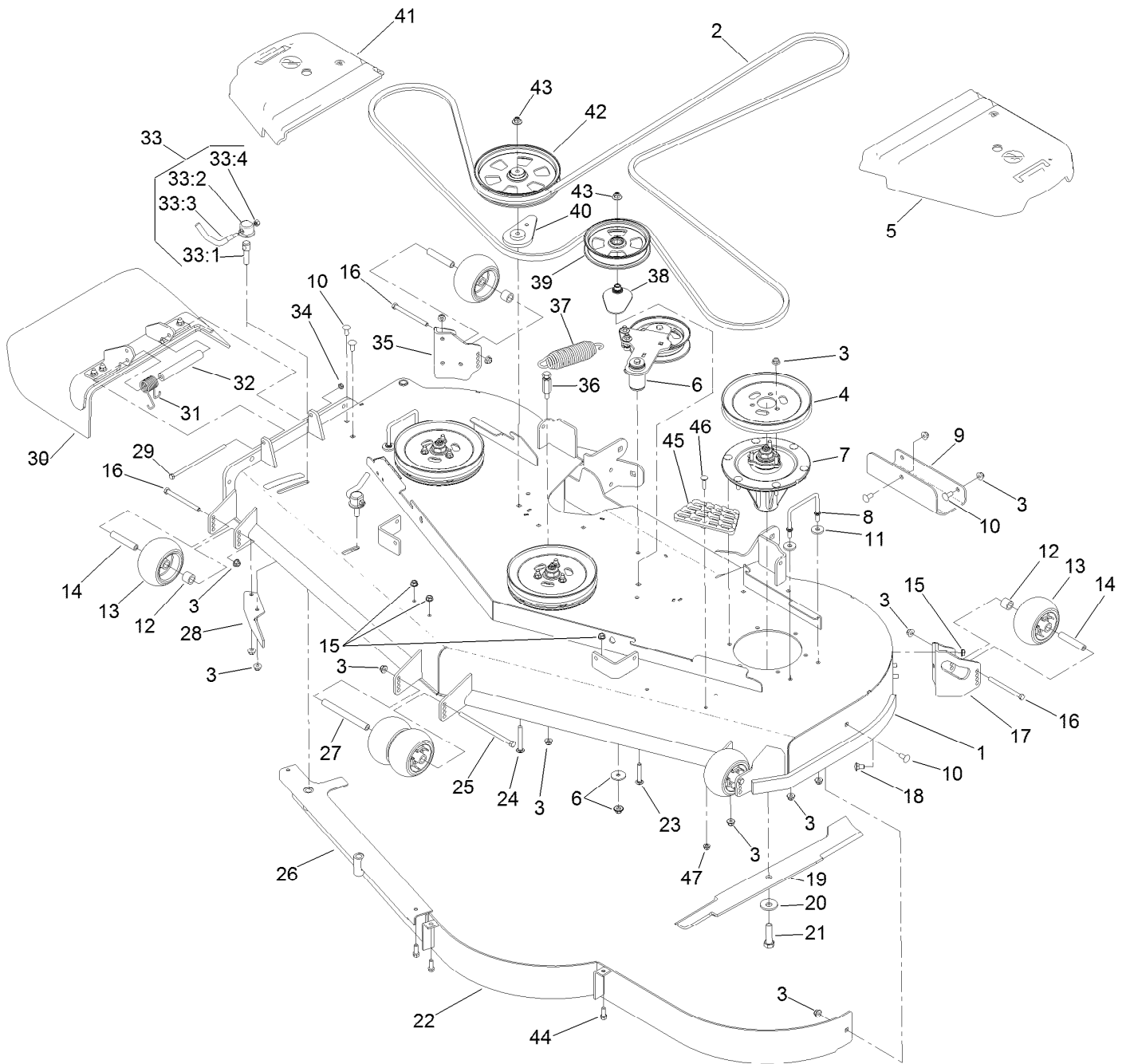
▲ Obtain parts from www.kawpowerepc.com

◆ Use a Teflon Pipe Sealant or equivalent on threads.

□ Use Pro-Lock, Nut Type (P/N 1-840022, .5ml tube) on threads.

■ Not serviced separately

Deck Assembly

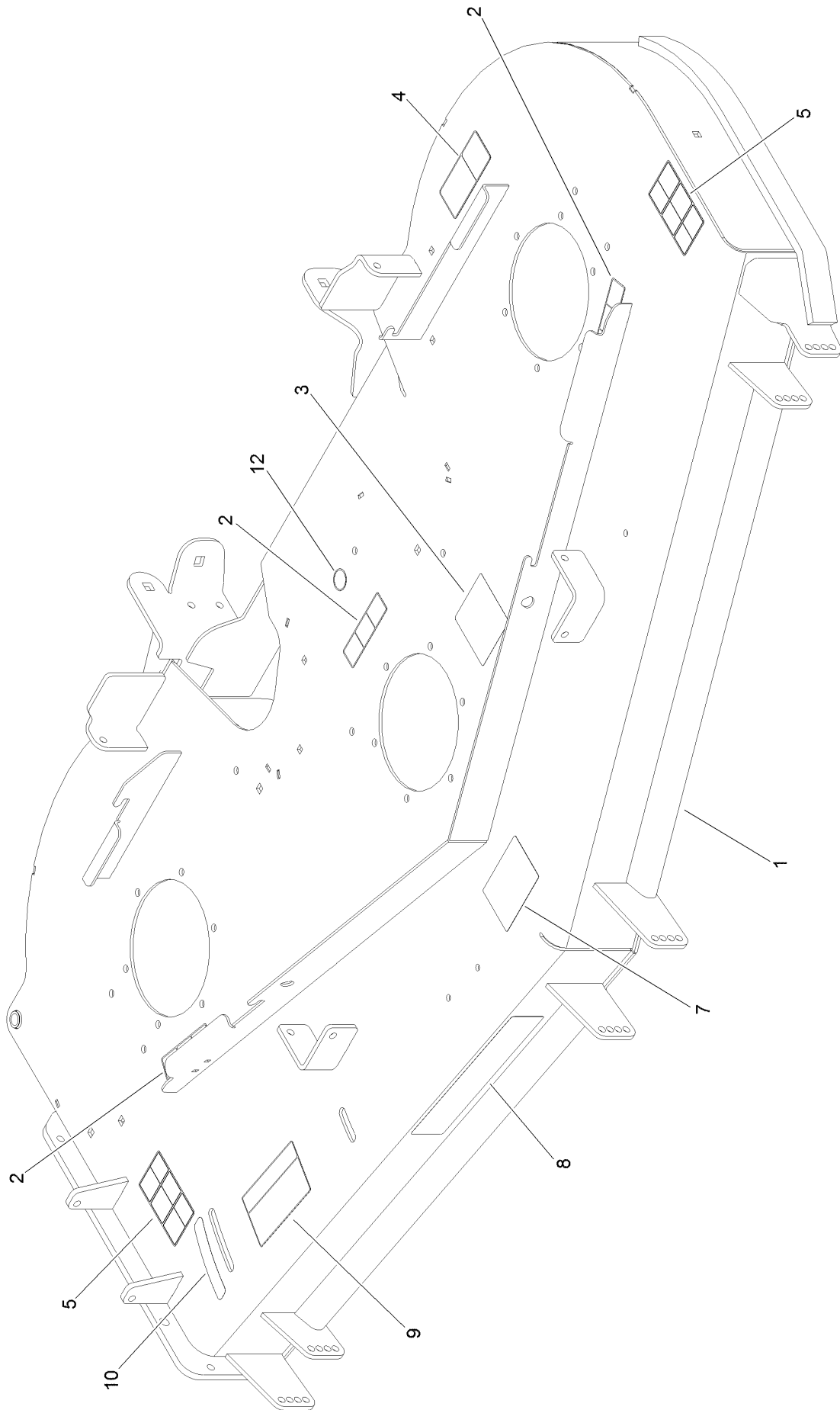


Deck Assembly (continued)

<i>Ref.</i>	<i>Part Number</i>	<i>Qty.</i>	<i>Description</i>	<i>Ref.</i>	<i>Part Number</i>	<i>Qty.</i>	<i>Description</i>
1	136-8636	1	Deck Decal ASM	27	98-5967	1	Spacer-Wheel
2	109-9023	1	Belt-V	28	106-3216-01	1	Baffle-Discharge
3	104-8301	44	Nut-HF, NI	29	322-50	1	Screw-HH
4	105-7733	3	Pulley	30	108-2792	1	Rubber Deflector ASM
5	109-6938	1	Cover-Belt, LH	31	108-4052	1	Spring-Torsion
6		1	Idler Arm ASM ●	32	105-4622	1	Spacer
7	127-0560	3	Spindle ASM	33	107-1664	2	Lever ASM
8	109-6982	2	Wireform-Cover	33:1	106-3239	1	Screw-Lock
9	121-7975-01	1	Plate-Skid	33:2	107-1644	1	Cap-Lock
10	3231-27	7	Screw-CARR	33:3	106-3241	1	Lever-Lock
11	1-373034	4	Washer	33:4	3296-29	1	Nut-Lock, NI
12	98-7913	4	Tube-Spacer	34	3296-47	1	Nut-Lock, NI
13	1-603299	6	Roller-Scalp, Anti	35	106-7355-01	1	Mount-Wheel, RH
14	98-7912	4	Tube-Spinner	36	114-5867	1	Anchor-Spring, Tall
15	3290-357	9	Nut-HHF, Whiz	37	116-6317	1	Spring-Extension
16	323-23	4	Screw-HH	38	109-2872	1	Spacer-Pulley
17	106-7354-01	1	Mount-Wheel, LH	39	136-5404	1	Pulley-Idler, Flat
18	3231-1	6	Screw-CARR	40	109-9416	1	Spacer-Idler
19	105-7784-03	3	Blade-Hi Flow, 24.5 Inch	41	116-0094	1	Cover-Belt, RH
20	103-0865	3	Washer-Blade Bolt, Heavy	42	132-4734	1	Pulley-Idler, Flat
21	51-4060	3	Screw-Blade	43	109-6658	2	Nut-Flange, NI
22	114-5843-01	1	Baffle	44	92-1624	3	Screw-HWH
23	3231-40	1	Bolt-CARR, Short Neck	45	126-4781-03	1	Step-Deck
24	3231-42	1	Screw-CARR	46	3230-3	1	Screw-CARR
25	108-5388	1	Screw-HH	47	104-8300	1	Nut-HF, NI
26	127-4858-01	1	Baffle ASM				

● Not serviced separately

Deck Decal Assembly No. 136-8636

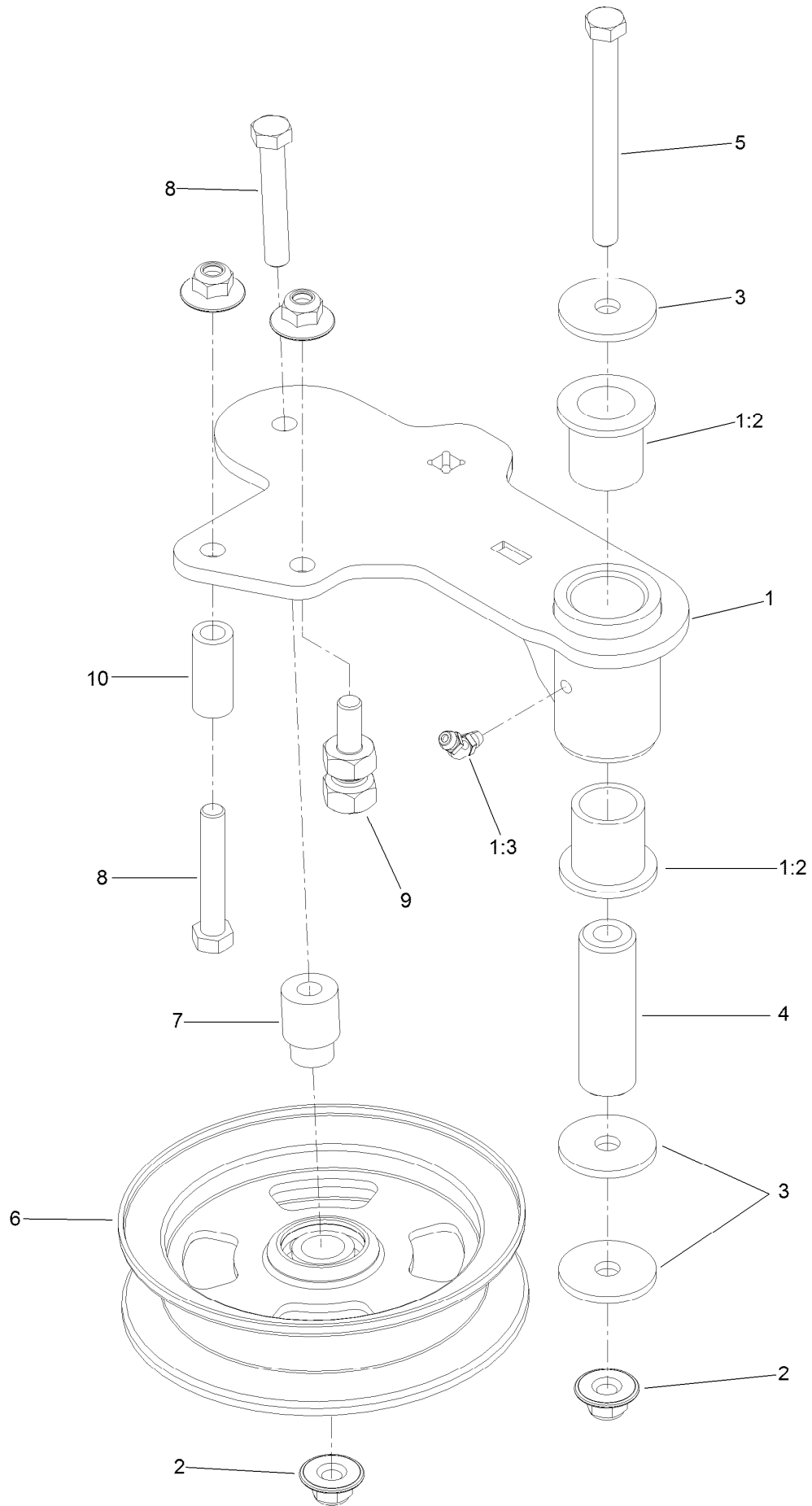


Deck Decal Assembly No. 136-8636 (continued)

<i>Ref.</i>	<i>Part Number</i>	<i>Qty.</i>	<i>Description</i>	<i>Ref.</i>	<i>Part Number</i>	<i>Qty.</i>	<i>Description</i>
1		1	Deck Decal ASM ●	7	127-0326	1	Decal-Scalp, Anti
2	112-9028	3	Decal-Missing, Cover	8	107-1620	1	Decal
3	115-7445	1	Decal-Routing, Deck Belt	9	110-2068	1	Decal-Adjustment, Baffle
4	93-7818	1	Decal-Torque, Blade Bolt	10	110-2067	1	Decal-Setting, Baffle
5	117-3848	2	Decal-Danger	12	58-6520	1	Decal-Grease

● Not serviced separately

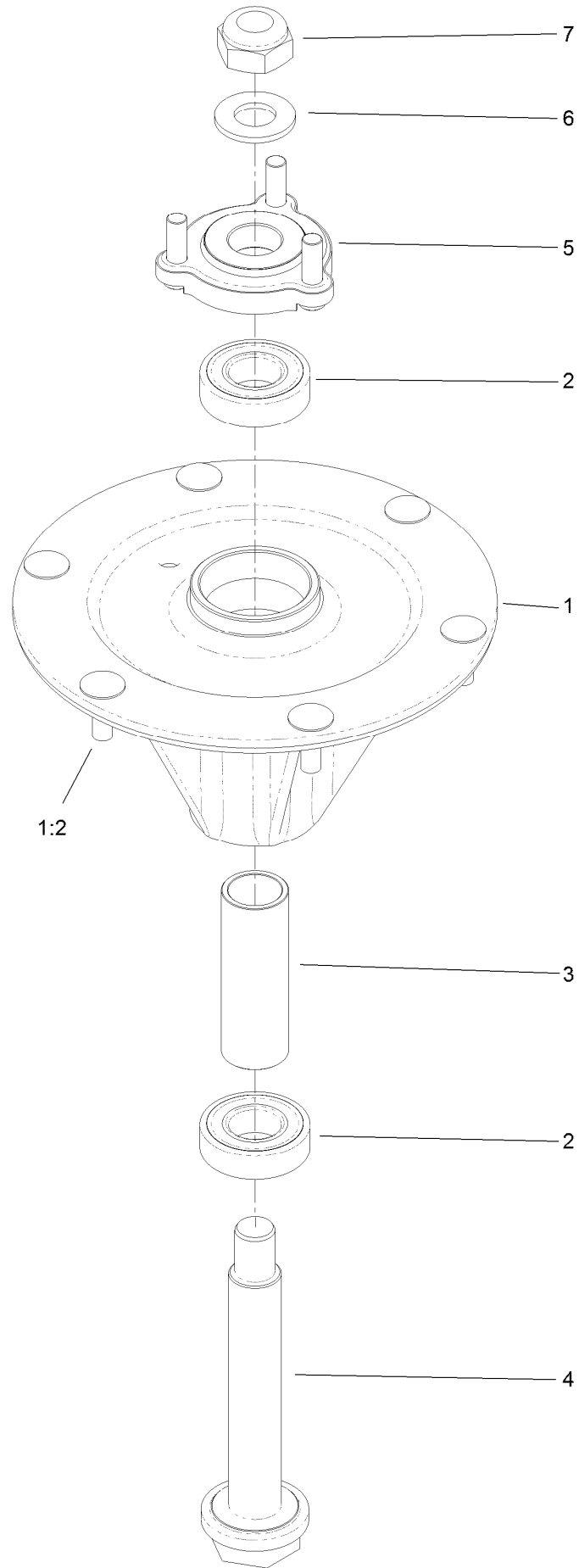
Idler Arm Assembly



Idler Arm Assembly (continued)

<i>Ref.</i>	<i>Part Number</i>	<i>Qty.</i>	<i>Description</i>	<i>Ref.</i>	<i>Part Number</i>	<i>Qty.</i>	<i>Description</i>
1	114-5870	1	Idler Arm ASM	5	98-5961	1	Screw-HH
1:2	1-303514	2	Bearing-Flanged	6	132-9425	1	Pulley-Idler, Flat
1:3	1481	1	Fitting-Grease	7	112-4212	1	Mount-Pulley
2	109-6658	4	Nut-Flange, NI	8	323-11	2	Screw-HH
3	1-213069	3	Washer	9	132-4729	1	Anchor-Spring, Short
4	114-5848	1	Spacer-Plain	10	104-0151	1	Spacer

Spindle Assembly No. 127-0560



Spindle Assembly No. 127-0560 (continued)

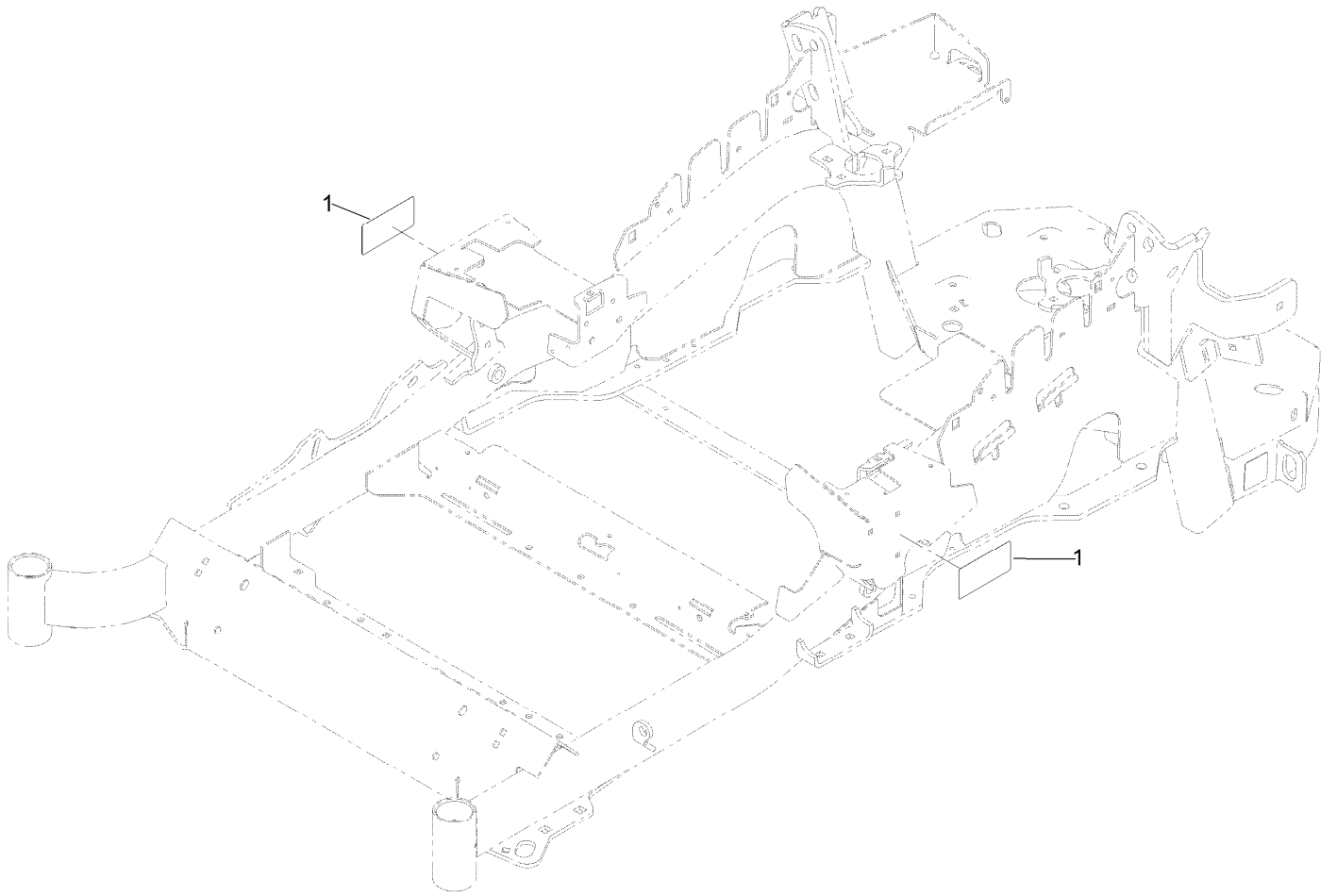
<i>Ref.</i>	<i>Part Number</i>	<i>Qty.</i>	<i>Description</i>	<i>Ref.</i>	<i>Part Number</i>	<i>Qty.</i>	<i>Description</i>
1		1	Spindle Housing ASM W/Studs ●	4	127-0556	1	Shaft-Spindle, Ball Bearing
1:2	114-8195	6	Bolt-Ribbed Neck	5	127-0557	1	Hub-Spindle (W/Studs)
2	116-0720	2	Bearing-Ball	6	92-5836	1	Washer
3	127-0554	1	Spacer-Bearing	7	3296-67	1	Nut-Lock, NI

● Not serviced separately

Rubber Deflector Assembly No. 108-2792 (continued)

<i>Ref.</i>	<i>Part Number</i>	<i>Qty.</i>	<i>Description</i>	<i>Ref.</i>	<i>Part Number</i>	<i>Qty.</i>	<i>Description</i>
1	3231-4	4	Screw-CARR	5	108-4059-01	1	Plate-Hinge, Rear
2	106-3246-01	1	Deflector	6	106-3253-01	1	Plate-Hinge, Front
3	106-3248-03	1	Strap-Discharge	7	104-8301	4	Nut-HF, NI
4	108-5029	1	Deflector-Rubber				

Frame Decal Assembly



Frame Decal Assembly (continued)

<i>Ref.</i>	<i>Part Number</i>	<i>Qty.</i>	<i>Description</i>
1	120-5895	2	Decal

Attachments and Accessories

For 75968 Z Master Professional 6000 Series Riding Mower with 72in TURBO FORCE Side Discharge Mower

Product Name	Model/Part
Blower and Drive Kit	78554
E-Z Vac Triple Bagging System	78564
E-Z Vac DFS Collection System	78568
Recycler Kit	115-7469
Operator Controlled Discharge Chute Kit.....	117-3600
Bimini Folding Shade Assembly	115-4510
Seat Cover W/arm rest	117-0095
Light Kit.....	116-1154
Hitch Kit	109-9487
Trash Holder Kit.....	TC26
Hypr-Oil 500 (quart)	114-4713
Hypr-Oil 500 (gallon).....	114-4714
Hypr-Oil 500-5 (5 gallon).....	114-4715
Blade-Hi Flow, 24.5in.....	105-7784-03
Blade-Mid Flow, 24.5in	105-7711-03
Blade-Lo Flow, 24.5in	105-7712-03
Blade-Atomic, 24.5in	105-7719-03
Blade-Recycler, 24.5in	105-7778-03
6 Pack Blade, 24.5in Hi-Flow	108-1120
6 Pack-Blade, 24.5in Mid-Flow	110-0404
6 Pack-Blade, 24.5in Lo-Flow	110-0410
6 Pack Blade, 24.5in Atomic	108-1126
6 Pack-Blade, 24.5in Recycler.....	110-0411
Roller Striper Kit.....	115-7480
Filter Minder Gauge	99-4664
Toro Deluxe Rider Cover.....	490-7319
Spark Arrestor Screen	75-6880
Turbo Baffle Kit	107-1634
MVP Belt and Blade Kit.....	127-1640
Toro Rider Over Seat Bag.....	490-7317
Toro Rider Arm Rest Bag	490-7320
Toro Rops Lock Kit.....	126-4064
Jack Mount Kit	127-6665
Jack Kit.....	127-6666
Shock/Spring Asm	136-8993

Notes:

Notes:

Notes:



Count on it.