



**Count on it.**

**Parts Catalog**

**46cm Lawn Mower**

Model No. 20942—Serial No. 317000001 and Up



# Ordering Replacement Parts

To order replacement parts, please supply the part number, the quantity, and the description of each part desired.

## Understanding Reference Numbers

Each identified part in an illustration has a reference number. The reference number for a part also appears in the parts list, along with other information about the part.

This catalog uses two special reference number formats, one to indicate parts in a service assembly and another to indicate the quantity of a given part in an illustration.

## Service Assembly Reference Numbers

Parts in service assemblies have reference numbers in the form a:b. The a represents the reference number of the entire service assembly and the b represents a sequential number unique to each part within the service assembly.

For example, a wheel assembly might be identified by reference number 6, the tire by 6:1, the valve by 6:2, and the wheel by 6:3. When you order the assembly identified by reference number 6, you receive all parts identified by reference numbers 6:1, 6:2, and 6:3. However, you may also order any part individually. Reference numbers of this type appear in illustration and in parts lists.

## Reference Numbers Indicating Quantity

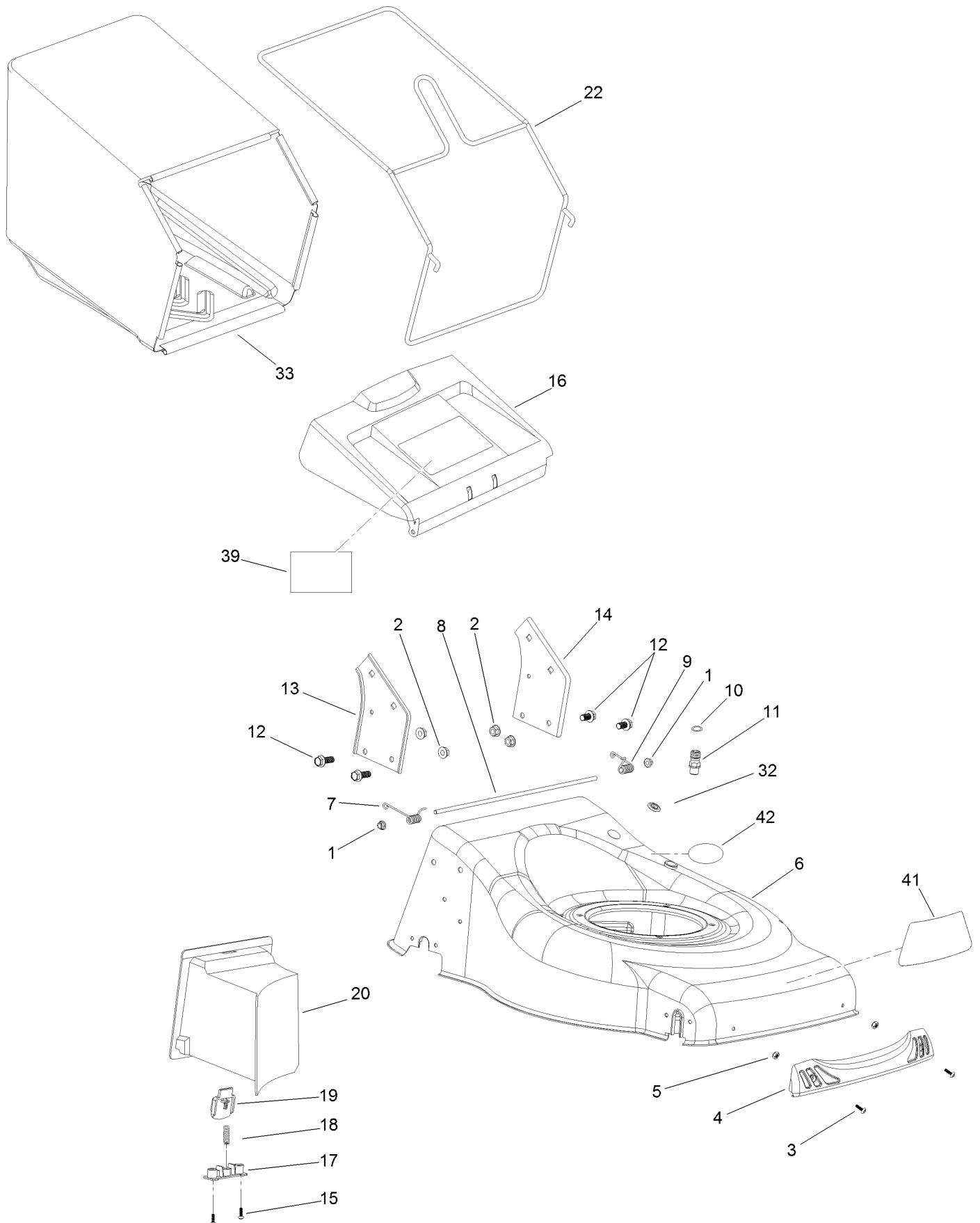
In an illustration, if a reference number indicates more than one part, the reference number has the form nX y. The n represents the quantity of the part, the X is the multiplication symbol, and the y represents the reference number.

For example, in an illustration, the reference number 2X 37 means that two of the parts identified by reference number 37 are indicated.

# Contents

Deck and Grass Bag Assembly .....	4
Engine and Blade Assembly .....	6
Suspension, Traction and HOC Assembly .....	8
Handle Bar and Controls Assembly .....	10
Shroud, Flywheel and Fuel Tank Assembly .....	12
Dipstick, Brake and Governor Arm Assembly .....	14
Carburetor, Muffler, Air Cleaner and Valve Cover Assembly .....	16

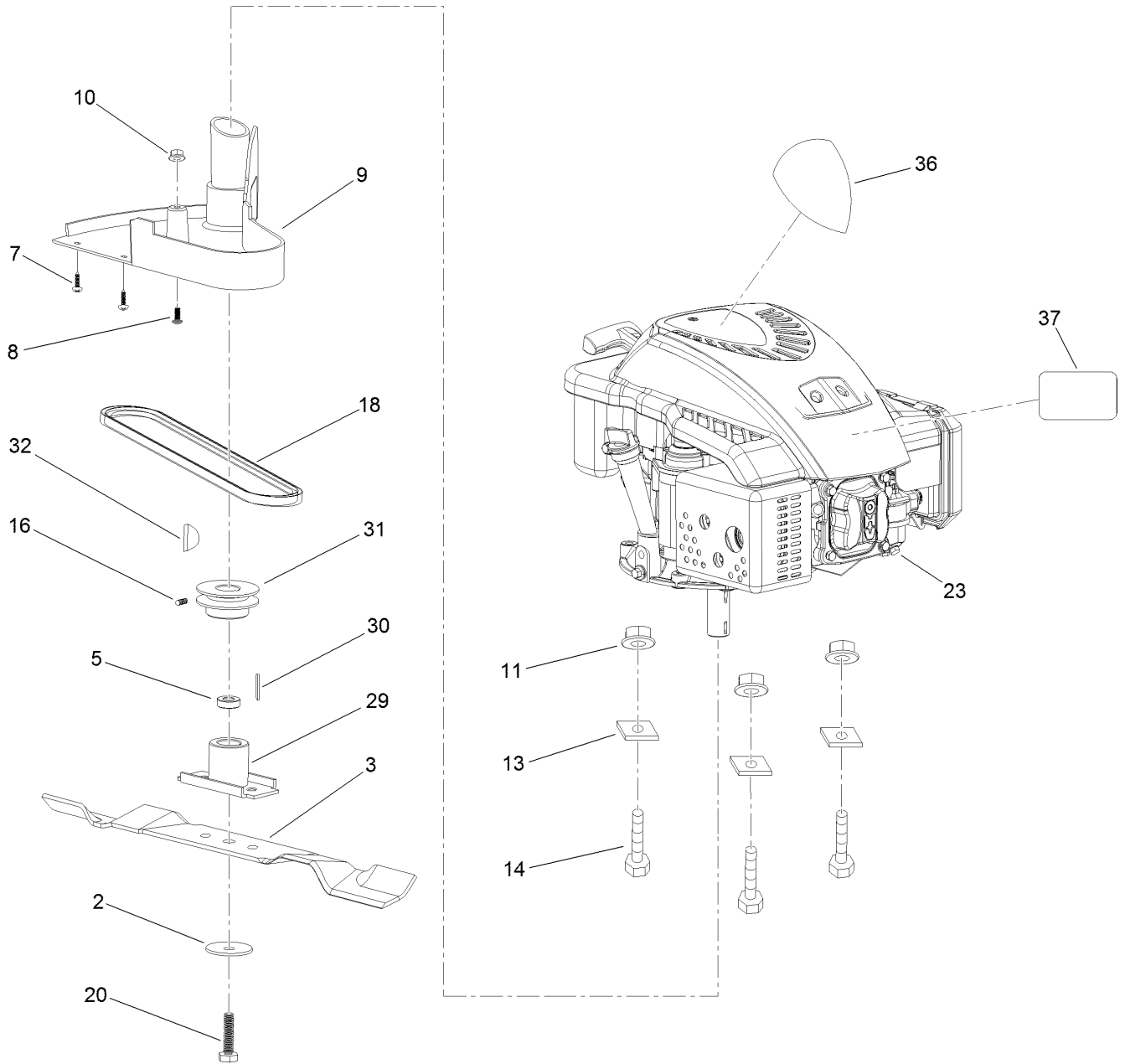
# Deck and Grass Bag Assembly



## Deck and Grass Bag Assembly (continued)

<i>Ref.</i>	<i>Part Number</i>	<i>Qty.</i>	<i>Description</i>	<i>Ref.</i>	<i>Part Number</i>	<i>Qty.</i>	<i>Description</i>
1	134-0117	2	Nut-Lock, Flange	15	134-0131	2	Screw-Self Driving
2	134-0118	4	Nut-Lock, Flange	16	134-0132	1	Deflector-Rear
3	134-0119	2	Screw-Tooth	17	134-0133	1	Pressing Board-Lock Button, Mulch
4	134-0120	1	Bumper-Front	18	134-0134	1	Spring-Button, Mulch
5	134-0121	2	Nut-Lock	19	134-0135	1	Lock-Button, Mulch
6	134-0122	1	Deck	20	134-0136	1	Plug-Mulch
7	134-0123	1	Spring-Twist, RH	22	134-0138	1	Frame-Bag, Grass
8	134-0124	1	Rod-Spring, Rear Deflector	32	134-0148	1	Sheath-Cable, Protective
9	134-0125	1	Spring-Twist, LH	33	134-0149	1	Bag-Grass
10	134-0126	1	O-Ring	39	134-0084	1	Decal-Safety
11	134-0127	1	Port-Wash	41	134-0060	1	Decal-Shroud
12	134-0128	4	Bolt-HH, Flange	42	134-0082	1	Decal-Port, Washout
13	134-0129	1	Bracket-Handle, RH				
14	134-0130	1	Bracket-Handle, LH				

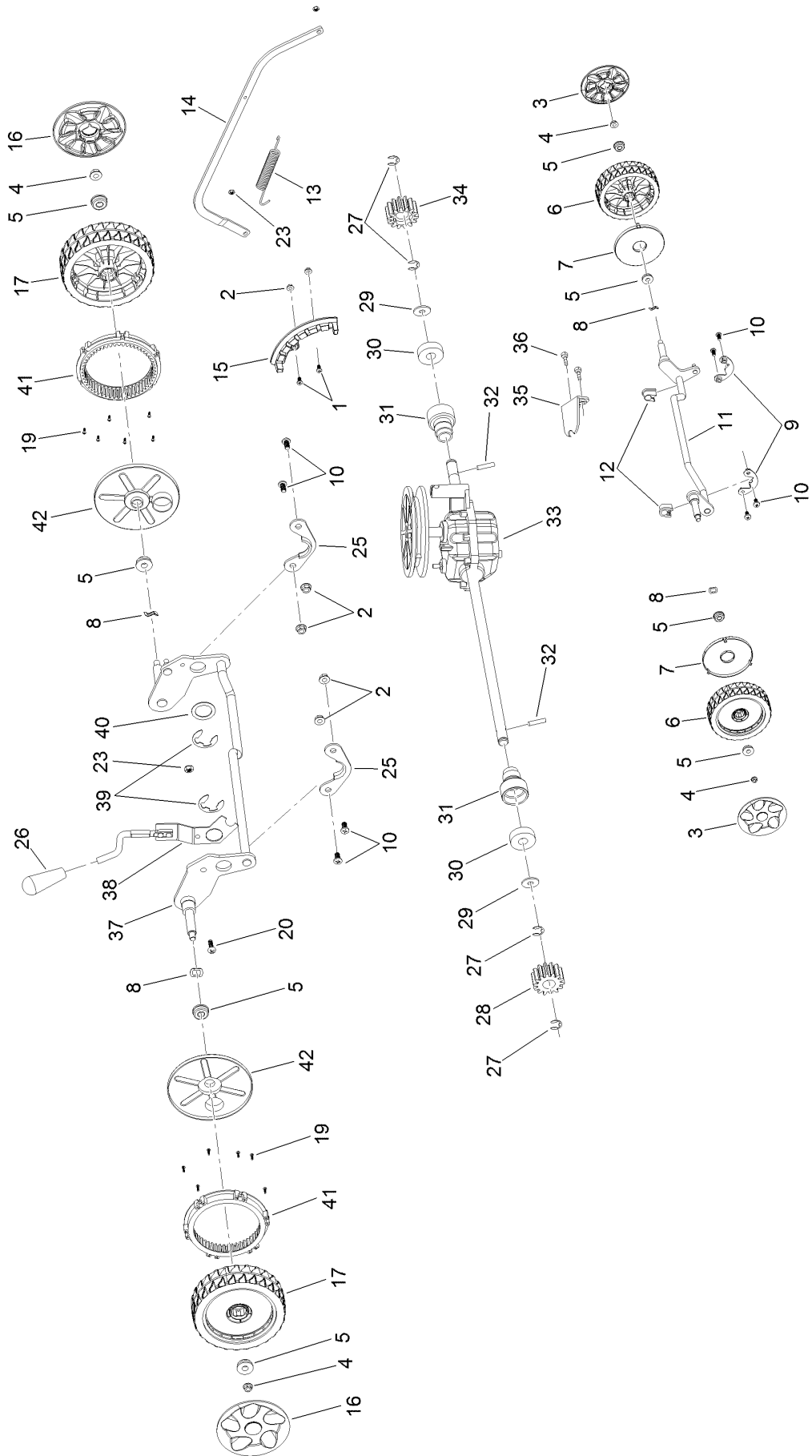
# Engine and Blade Assembly



## Engine and Blade Assembly (continued)

<i>Ref.</i>	<i>Part Number</i>	<i>Qty.</i>	<i>Description</i>	<i>Ref.</i>	<i>Part Number</i>	<i>Qty.</i>	<i>Description</i>
2	134-2016	1	Washer-Dished	16	134-0161	1	Screw-Grub
3	134-0073	1	Blade-Mulch	18	134-0163	1	Belt-Triangle
5	134-0160	1	Sheath-Blade	20	134-0164	1	Bolt-Blade
7	134-0155	2	Screw-Self Driving	23	121-4200	1	Engine-1P65Fa, Recoil
8	134-0156	1	Screw-Tooth	29	134-0171	1	Support-Blade
9	134-0157	1	Cover-Pulley, Belt	30	134-0172	1	Key-Flat
10	134-0117	1	Nut-Lock, Flange	31	134-0173	1	Pulley-Drive
11	134-0118	3	Nut-Lock, Flange	32	134-0174	1	Key-Woodruff
13	134-0158	3	Washer-Square	36	120-1938	1	Decal-Shroud
14	134-2010	3	Bolt-Blade	37	120-0183	1	Plate-Logo

# Suspension, Traction and HOC Assembly

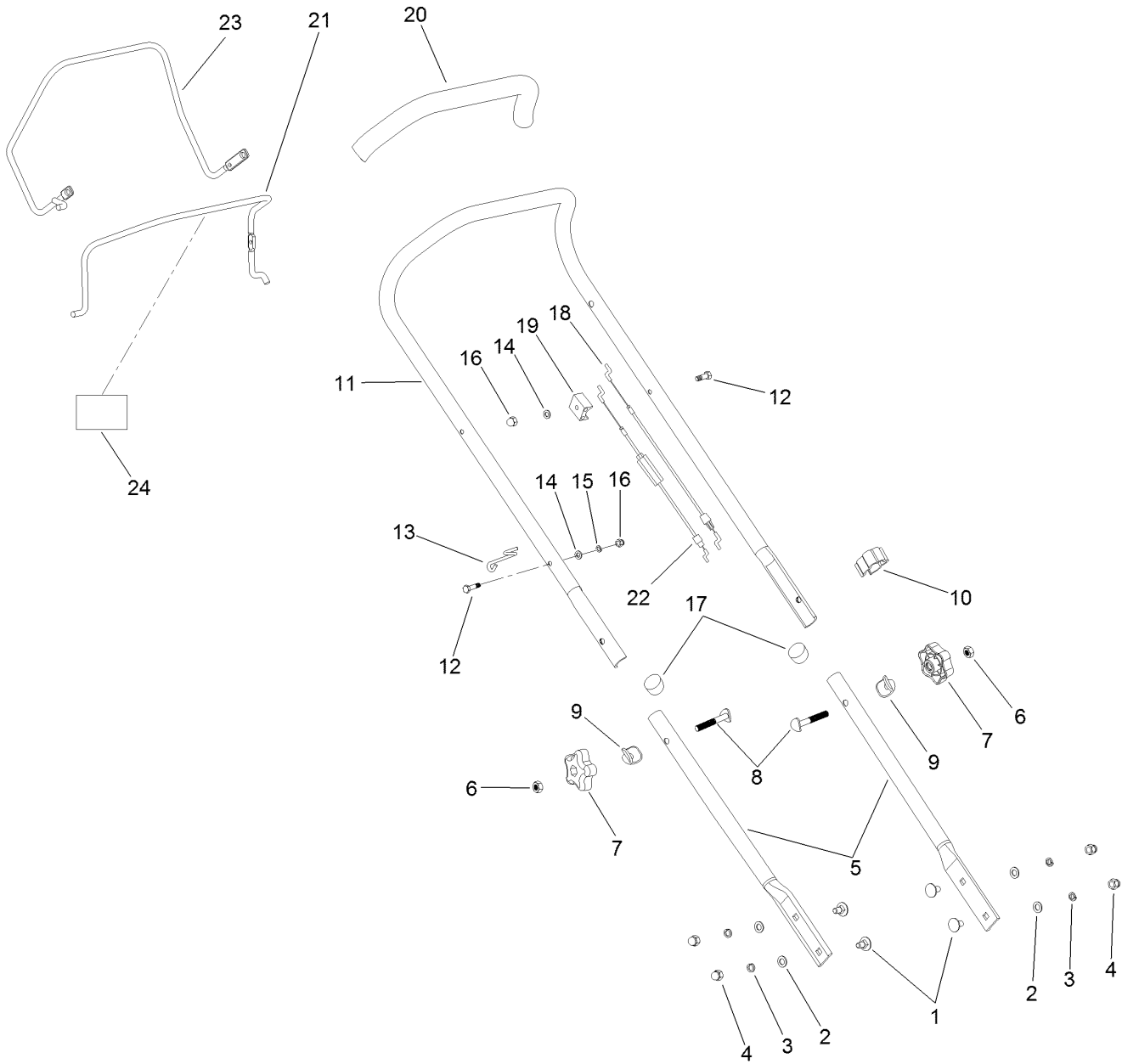




## Suspension, Traction and HOC Assembly (continued)

<i>Ref.</i>	<i>Part Number</i>	<i>Qty.</i>	<i>Description</i>	<i>Ref.</i>	<i>Part Number</i>	<i>Qty.</i>	<i>Description</i>
1	134-0156	2	Screw-Tooth	23	134-0190	4	Nut-Lock
2	134-0117	6	Nut-Lock, Flange	25	134-0191	2	Ring-Fixed
3	134-0175	2	Cap-Hub (7)	26	134-0192	1	Handle-Lever, HOC
4	134-0118	4	Nut-Lock, Flange	27	134-0197	4	Washer-Spring
5	134-0176	8	Bearing	28	134-0198	1	Gear Output ASM-RH
6	134-0177	2	Wheel ASM (7)	29	134-0199	2	Washer-Flat
7	134-0178	2	Cover-Wheel, Dustproof	30	134-0200	2	Bearing
8	134-0179	4	Washer-Wave	31	134-0201	2	Sheath-Bearing
9	134-0180	2	Clamp-Axle, Fixed	32	134-0202	2	Pin-Cylindrical
10	134-0181	4	Screw-Tooth	33	134-0203	1	Gearbox
11	134-0182	1	Front Wheel Axis ASM	34	134-0204	1	Gear Output ASM-LH
12	134-0183	2	Ring-Fixed	35	134-0205	1	Bracket-Location
13	134-0184	1	Spring-Tension	36	134-0206	2	Bolt-HH, Flange
14	134-0185	1	Bracket-Connecting, HOC	37	134-0207	1	Rear Axle Shaft ASM
15	134-0186	1	Board-Adjuster, HOC	38	134-0208	1	Handle ASM
16	134-0187	2	Cap-Hub (8)	39	134-0209	2	Washer-Spring
17	134-0188	2	Wheel ASM (8)	40	134-0210	1	Washer
19	134-0131	6	Screw-Self Driving	41	134-0211	2	Gear Ring
20	134-0189	2	Screw-Pan, Cross	42	134-0212	2	Cover-Wheel, Dustproof

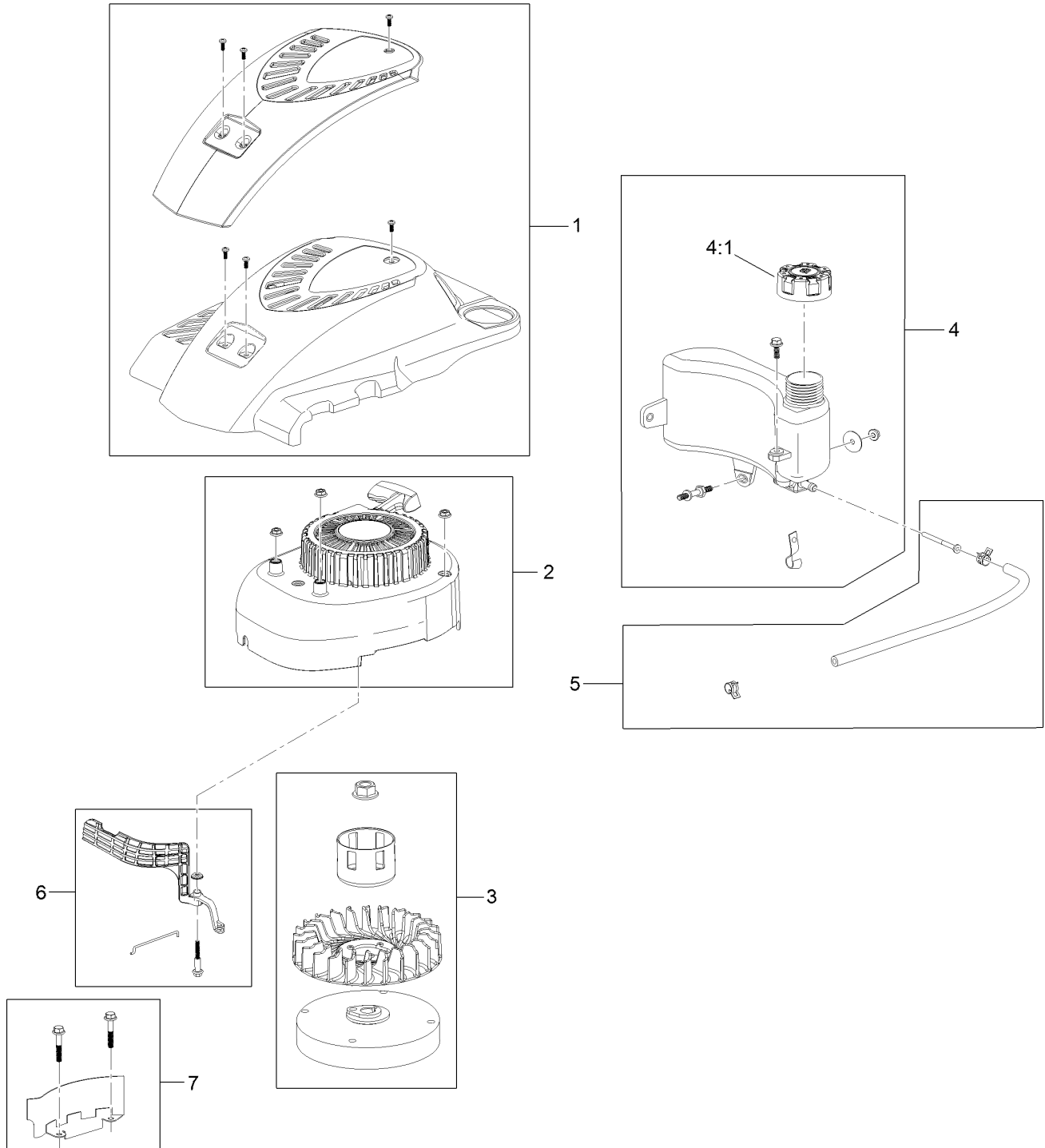
# Handle Bar and Controls Assembly



## Handle Bar and Controls Assembly (continued)

<i>Ref.</i>	<i>Part Number</i>	<i>Qty.</i>	<i>Description</i>	<i>Ref.</i>	<i>Part Number</i>	<i>Qty.</i>	<i>Description</i>
1	134-0219	4	Bolt	13	134-0231	1	Hook-Cable
2	09475	4	Washer	14	09472	2	Washer-Plain
3	03469	4	Washer-Spring	15	09474	1	Washer-Spring
4	134-0222	4	Nut-Lid	16	134-0234	2	Nut-Lid
5	134-0223	2	Handlebar-Lower	17	134-0235	2	Plug-Tube
6	134-0224	2	Nut-Hex	18	134-0236	1	Cable-Brake, Engine
7	134-0225	2	Knob-Rotary	19	134-0237	1	Cable-Block, Fixed
8	134-0226	2	Bolt-Flat Head	20	134-0238	2	Grip-Handle
9	134-0227	2	Washer-Curve	21	134-0239	1	Lever-Engine
10	134-0228	1	Cable Clamp	22	134-0240	1	Cable-Clutch
11	134-0229	1	Handlebar-Upper	23	134-0241	1	Lever-Clutch, Gearbox
12	134-0230	1	Bolt-HH, Flange	24	H295159	1	Decal-Stop

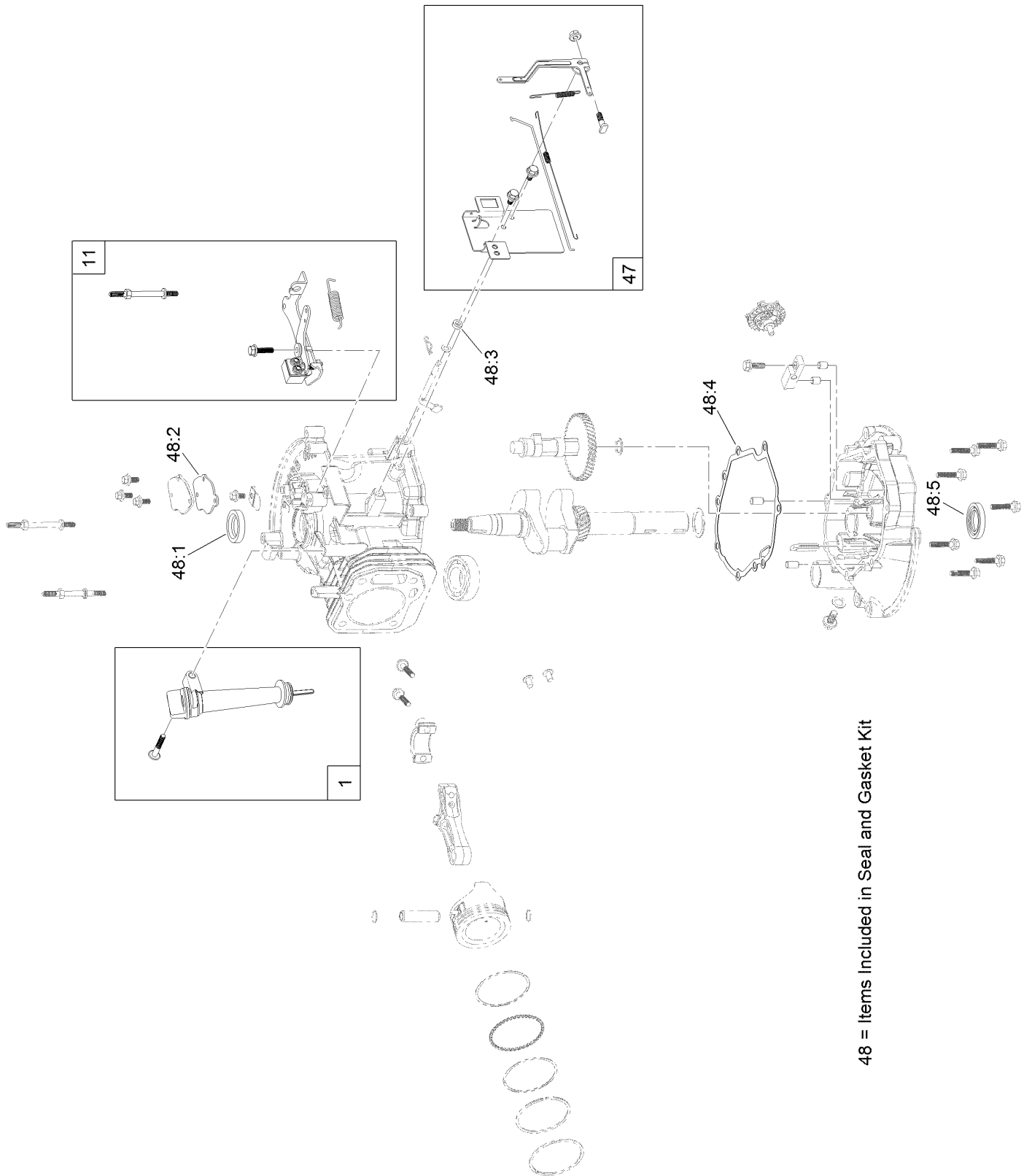
# Shroud, Flywheel and Fuel Tank Assembly



## Shroud, Flywheel and Fuel Tank Assembly (continued)

<i>Ref.</i>	<i>Part Number</i>	<i>Qty.</i>	<i>Description</i>	<i>Ref.</i>	<i>Part Number</i>	<i>Qty.</i>	<i>Description</i>
1	119-1990	1	Shroud ASM	4:1	119-1914	1	Cap-Fuel
2	121-4213	1	Recoil And Blower Shroud Kit	5	121-4167	1	Fuel Line Kit
3	119-1970	1	Flywheel And Fan Kit	6	119-1966	1	Air Vane Choke Kit
4	119-1915	1	Fuel Tank Kit (Cap And Hardware)	7	119-1994	1	Flywheel Shield Kit

# Dipstick, Brake and Governor Arm Assembly

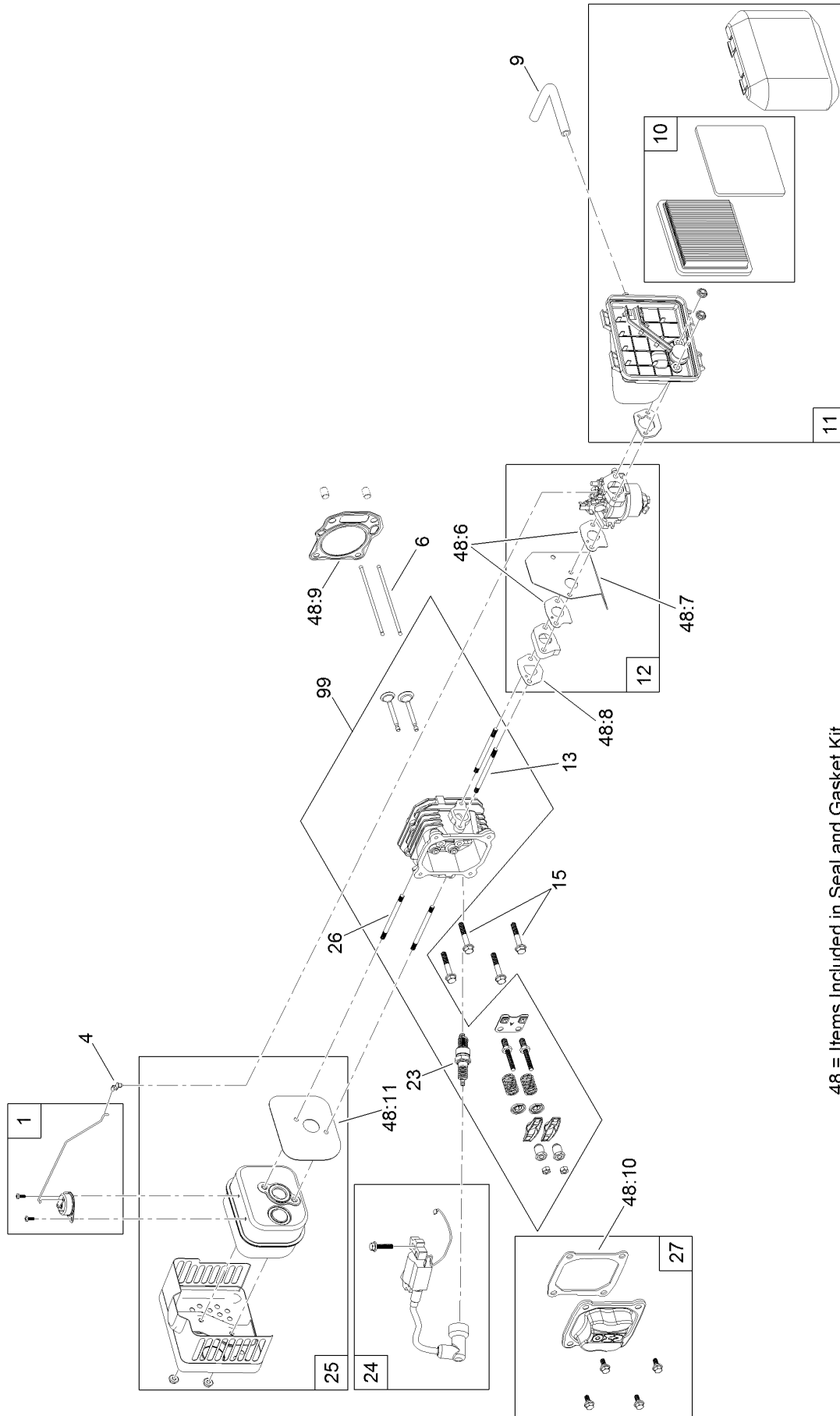


48 = Items Included in Seal and Gasket Kit

## Dipstick, Brake and Governor Arm Assembly (continued)

<i>Ref.</i>	<i>Part Number</i>	<i>Qty.</i>	<i>Description</i>	<i>Ref.</i>	<i>Part Number</i>	<i>Qty.</i>	<i>Description</i>
1	119-1903	1	Dipstick And Fill Tube Kit	48:2	121-0020	1	Gasket-Breather
11	119-1991	1	Brake ASM Recoil Kit	48:3	121-0021	1	Seal-Oil
47	119-1968	1	Governor Arm Kit	48:4	120-4459	1	Gasket-Cover, Case
48	121-4215	1	Seal And Gasket Kit	48:5	121-0022	1	Seal-Oil
48:1	121-0019	1	Seal-Oil				

# Carburetor, Muffler, Air Cleaner and Valve Cover Assembly



48 = Items Included in Seal and Gasket Kit



## Carburetor, Muffler, Air Cleaner and Valve Cover Assembly (continued)

<i>Ref.</i>	<i>Part Number</i>	<i>Qty.</i>	<i>Description</i>	<i>Ref.</i>	<i>Part Number</i>	<i>Qty.</i>	<i>Description</i>
1	119-1999	1	Thermal Choke Control Kit	25	119-1969	1	Muffler And Shield Kit
4	120-4451	1	Lock-Throttle	26	121-0045	2	Stud-Exhaust
6	121-0370	2	Rod-Push	27	121-0492	1	Valve Cover Kit
9	119-1902	1	Tube-Breather	48	121-4215	1	Seal And Gasket Kit
10	119-1909	1	Air Filter And Prefilter Kit	48:6	121-4184	2	Gasket-Carburetor
11	121-0374	1	Air Cleaner ASM	48:7	120-4446	1	Insulator-Carburetor
12	120-4405	1	Carburetor Repair Kit	48:8	121-4214	1	Gasket-Carburetor
12	121-4216	1	Carburetor Complete Kit	48:9	120-4463	1	Gasket-Head
13	121-0367	2	Stud-Intake	48:10	120-4465	1	Gasket-Valve Cover
15	121-0043	2	Bolt-Flange	48:11	121-0034	1	Gasket-Exhaust
23	81-3250	1	Spark Plug	99	133-9852	1	Head ASM
24	119-1908	1	Ignition And Hardware Kit				

**Notes:**

**Notes:**



**Count on it.**