



Count on it.

Parts Catalog

46cm Lawn Mower

Model No. 20943—Serial No. 317000001 and Up



Ordering Replacement Parts

To order replacement parts, please supply the part number, the quantity, and the description of each part desired.

Understanding Reference Numbers

Each identified part in an illustration has a reference number. The reference number for a part also appears in the parts list, along with other information about the part.

This catalog uses two special reference number formats, one to indicate parts in a service assembly and another to indicate the quantity of a given part in an illustration.

Service Assembly Reference Numbers

Parts in service assemblies have reference numbers in the form a:b. The a represents the reference number of the entire service assembly and the b represents a sequential number unique to each part within the service assembly.

For example, a wheel assembly might be identified by reference number 6, the tire by 6:1, the valve by 6:2, and the wheel by 6:3. When you order the assembly identified by reference number 6, you receive all parts identified by reference numbers 6:1, 6:2, and 6:3. However, you may also order any part individually. Reference numbers of this type appear in illustration and in parts lists.

Reference Numbers Indicating Quantity

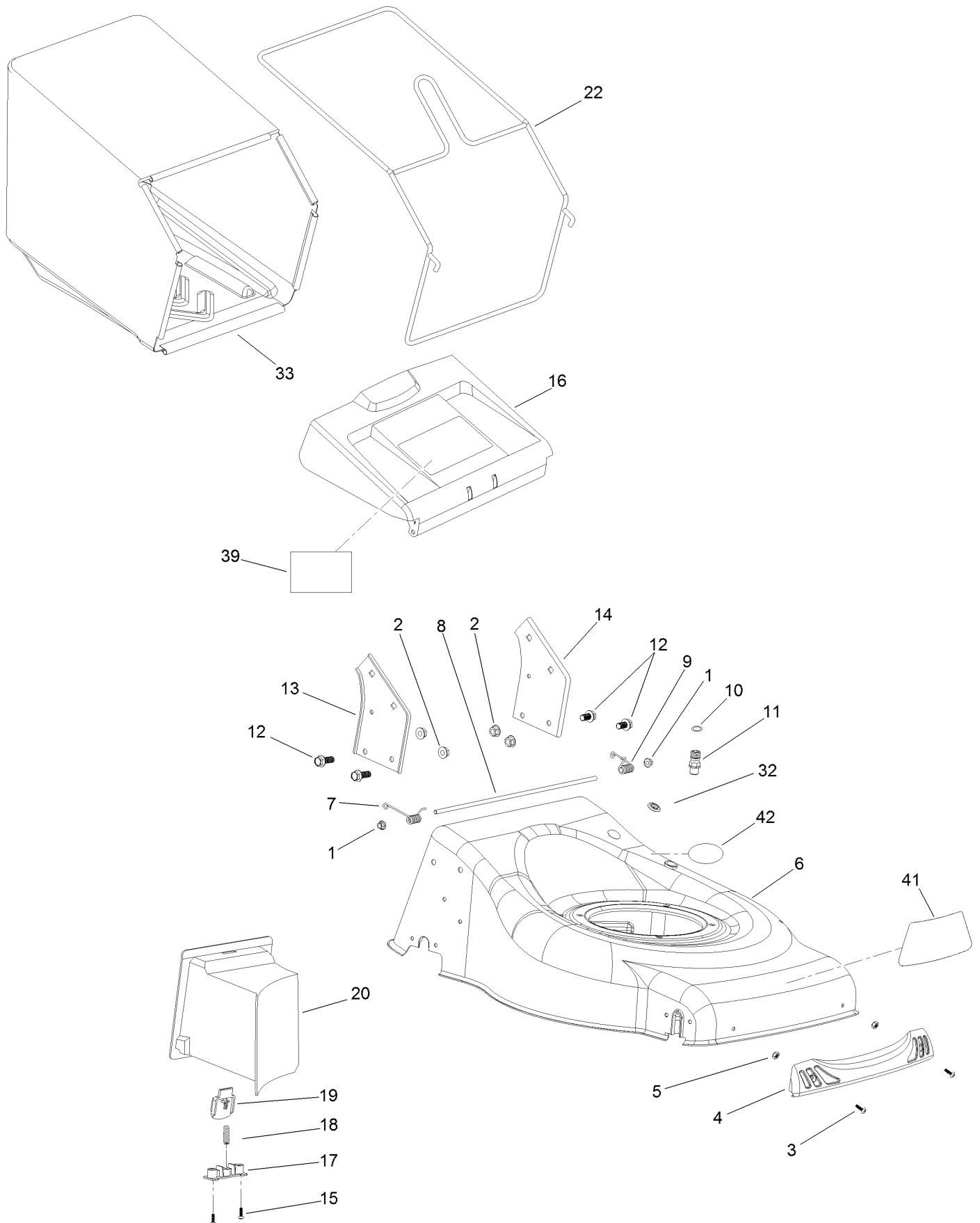
In an illustration, if a reference number indicates more than one part, the reference number has the form nX y. The n represents the quantity of the part, the X is the multiplication symbol, and the y represents the reference number.

For example, in an illustration, the reference number 2X 37 means that two of the parts identified by reference number 37 are indicated.

Contents

Deck and Grass Bag Assembly 4
Engine and Blade Assembly 6
Suspension, Traction and HOC Assembly 8
Handle Bar and Controls Assembly 10

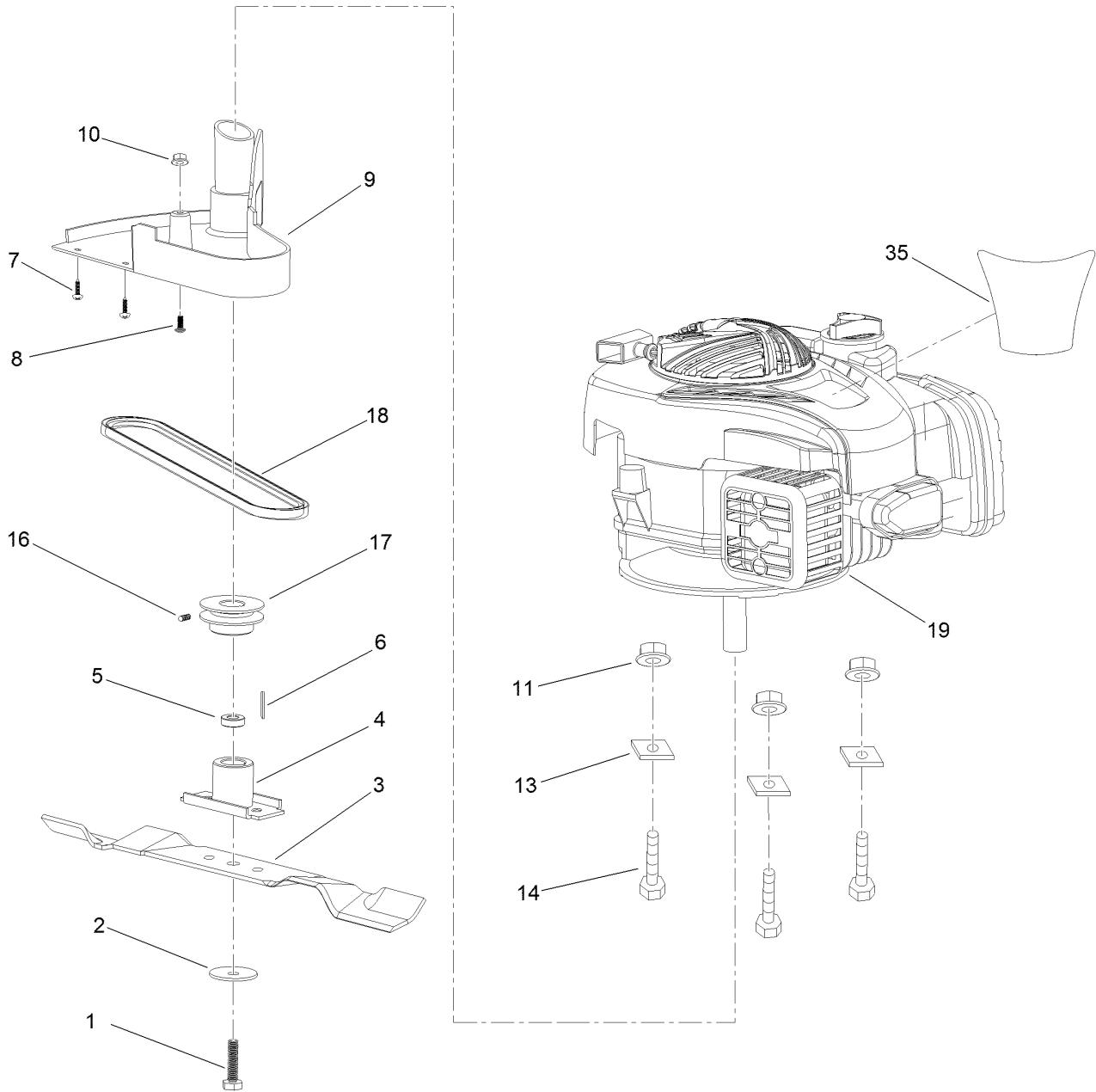
Deck and Grass Bag Assembly



Deck and Grass Bag Assembly (continued)

<i>Ref.</i>	<i>Part Number</i>	<i>Qty.</i>	<i>Description</i>	<i>Ref.</i>	<i>Part Number</i>	<i>Qty.</i>	<i>Description</i>
1	134-0117	2	Nut-Lock, Flange	15	134-0131	2	Screw-Self Driving
2	134-0118	4	Nut-Lock, Flange	16	134-0132	1	Deflector-Rear
3	134-0119	2	Screw-Tooth	17	134-0133	1	Pressing Board-Lock Button, Mulch
4	134-0120	1	Bumper-Front	18	134-0134	1	Spring-Button, Mulch
5	134-0121	2	Nut-Lock	19	134-0135	1	Lock-Button, Mulch
6	134-0122	1	Deck	20	134-0136	1	Plug-Mulch
7	134-0123	1	Spring-Twist, RH	22	134-0138	1	Frame-Bag, Grass
8	134-0124	1	Rod-Spring, Rear Deflector	32	134-0148	1	Sheath-Cable, Protective
9	134-0125	1	Spring-Twist, LH	33	134-0149	1	Bag-Grass
10	134-0126	1	O-Ring	39	134-0084	1	Decal-Safety
11	134-0127	1	Port-Wash	41	134-0060	1	Decal-Shroud
12	134-0128	4	Bolt-HH, Flange	42	134-0082	1	Decal-Port, Washout
13	134-0129	1	Bracket-Handle, RH				
14	134-0130	1	Bracket-Handle, LH				

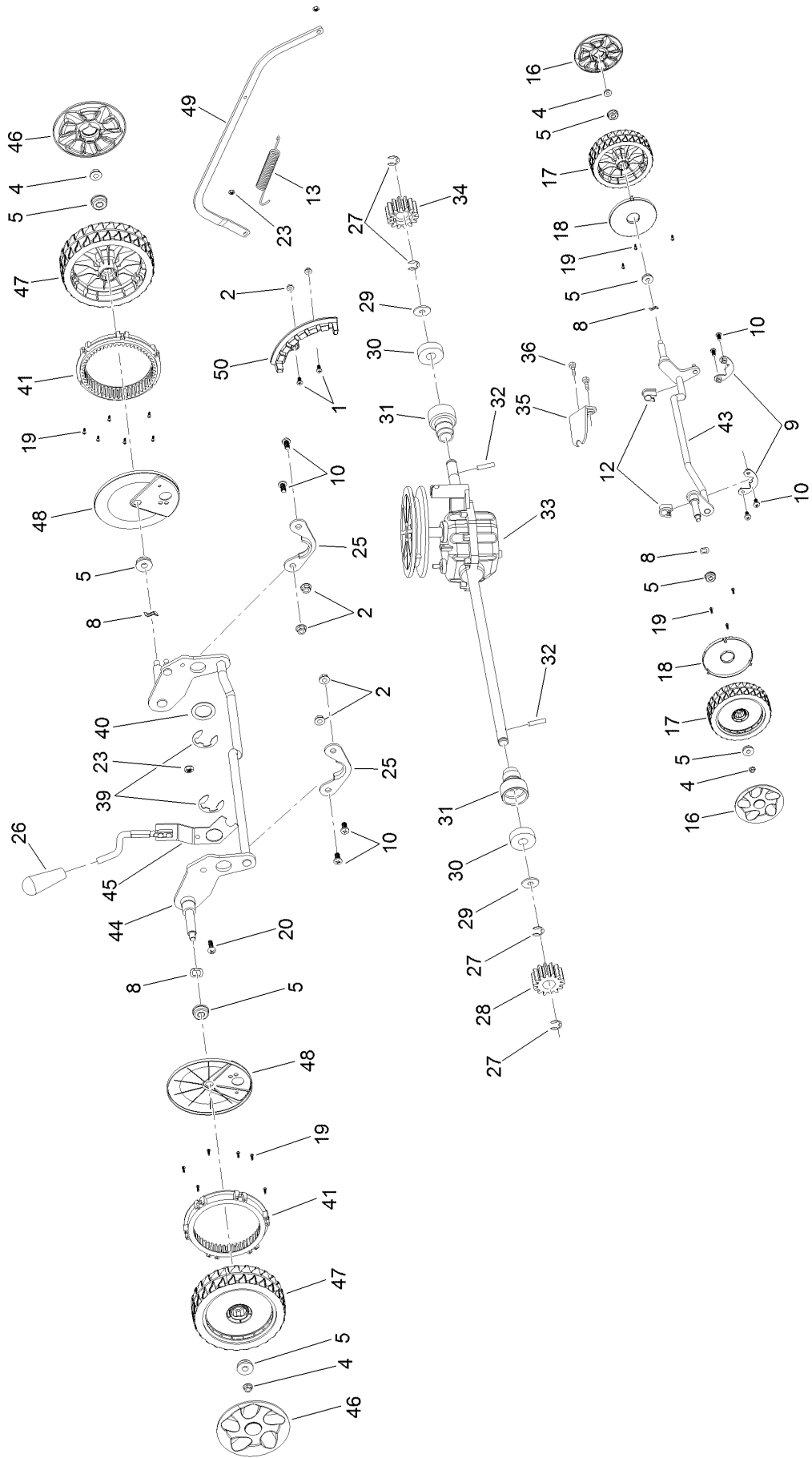
Engine and Blade Assembly



Engine and Blade Assembly (continued)

<i>Ref.</i>	<i>Part Number</i>	<i>Qty.</i>	<i>Description</i>	<i>Ref.</i>	<i>Part Number</i>	<i>Qty.</i>	<i>Description</i>
1	134-0150	1	Bolt-Blade	11	134-0118	3	Nut-Lock, Flange
2	134-0151	1	Washer-Dished	13	134-0158	3	Washer-Square
3	134-0073	1	Blade-Mulch	14	134-2010	3	Bolt-Blade
4	134-0152	1	Support-Blade	16	134-0161	1	Screw-Grub
5	134-0153	1	Sheath-Blade	17	134-0162	1	Pulley-Drive
6	134-0154	1	Key-Flat	18	134-0163	1	Belt-Triangle
7	134-0155	2	Screw-Self Driving	19	134-0115	1	Engine-Briggs & Stratton, 500E
8	134-0156	1	Screw-Tooth	35	134-0059	1	Decal-Shroud
9	134-0157	1	Cover-Pulley, Belt				
10	134-0117	1	Nut-Lock, Flange				

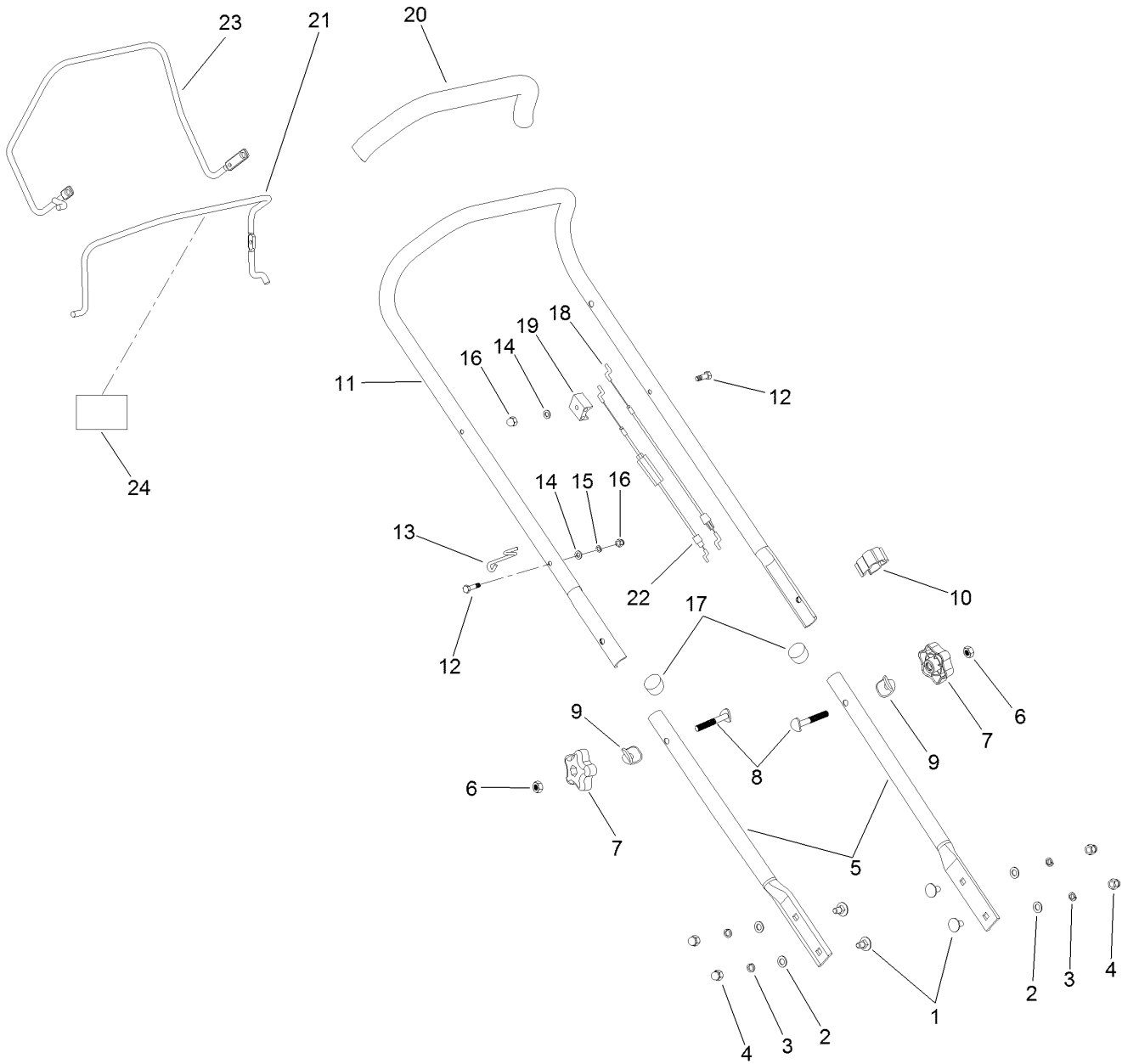
Suspension, Traction and HOC Assembly



Suspension, Traction and HOC Assembly (continued)

<i>Ref.</i>	<i>Part Number</i>	<i>Qty.</i>	<i>Description</i>	<i>Ref.</i>	<i>Part Number</i>	<i>Qty.</i>	<i>Description</i>
1	134-0156	2	Screw-Tooth	30	134-0200	2	Bearing
2	134-0117	6	Nut-Lock, Flange	31	134-0201	2	Sheath-Bearing
4	134-0118	4	Nut-Lock, Flange	32	134-0202	2	Pin-Cylindrical
5	134-0176	8	Bearing	33	134-0203	1	Gearbox
8	134-0179	4	Washer-Wave	34	134-0204	1	Gear Output ASM-LH
9	134-0180	2	Clamp-Axle, Fixed	35	134-0205	1	Bracket-Location
10	134-0181	4	Screw-Tooth	36	134-0206	2	Bolt-HH, Flange
12	134-0183	2	Ring-Fixed	39	134-0209	2	Washer-Spring
13	134-0184	1	Spring-Tension	40	134-0210	1	Washer
16	134-0187	2	Cap-Hub (8)	41	134-2024	2	Ring-Gear
17	134-0188	2	Wheel ASM (8)	43	134-0213	1	Front Wheel Axis ASM
18	134-0196	2	Cover-Wheel, Dustproof	44	134-0214	1	Rear Axle Shaft ASM
19	134-0131	6	Screw-Self Driving	45	134-0215	1	Handle ASM
20	134-0189	2	Screw-Pan, Cross	46	134-0216	2	Cap-Hub (11)
23	134-0190	4	Nut-Lock	47	134-0217	2	Wheel ASM (11)
25	134-0191	2	Ring-Fixed	48	134-0218	2	Cover-Wheel, Dustproof (11)
26	134-0192	1	Handle-Lever, HOC	49	134-0242	1	Bracket-Connecting, HOC
27	134-0197	4	Washer-Spring	50	134-0243	1	Board-Adjuster, HOC
28	134-0198	1	Gear Output ASM-RH				
29	134-0199	2	Washer-Flat				

Handle Bar and Controls Assembly



Handle Bar and Controls Assembly (continued)

<i>Ref.</i>	<i>Part Number</i>	<i>Qty.</i>	<i>Description</i>	<i>Ref.</i>	<i>Part Number</i>	<i>Qty.</i>	<i>Description</i>
1	134-0219	4	Bolt	13	134-0231	1	Hook-Cable
2	09475	4	Washer	14	09472	2	Washer-Plain
3	03469	4	Washer-Spring	15	09474	1	Washer-Spring
4	134-0222	4	Nut-Lid	16	134-0234	2	Nut-Lid
5	134-0223	2	Handlebar-Lower	17	134-0235	2	Plug-Tube
6	134-0224	2	Nut-Hex	18	134-2148	1	Cable-Brake, Engine
7	134-0225	2	Knob-Rotary	19	134-0237	1	Cable-Block, Fixed
8	134-0226	2	Bolt-Flat Head	20	134-0238	2	Grip-Handle
9	134-0227	2	Washer-Curve	21	134-0239	1	Lever-Engine
10	134-0228	1	Cable Clamp	22	134-0240	1	Cable-Clutch
11	134-0229	1	Handlebar-Upper	23	134-0241	1	Lever-Clutch, Gearbox
12	134-0230	1	Bolt-HH, Flange	24	H295159	1	Decal-Stop



Count on it.