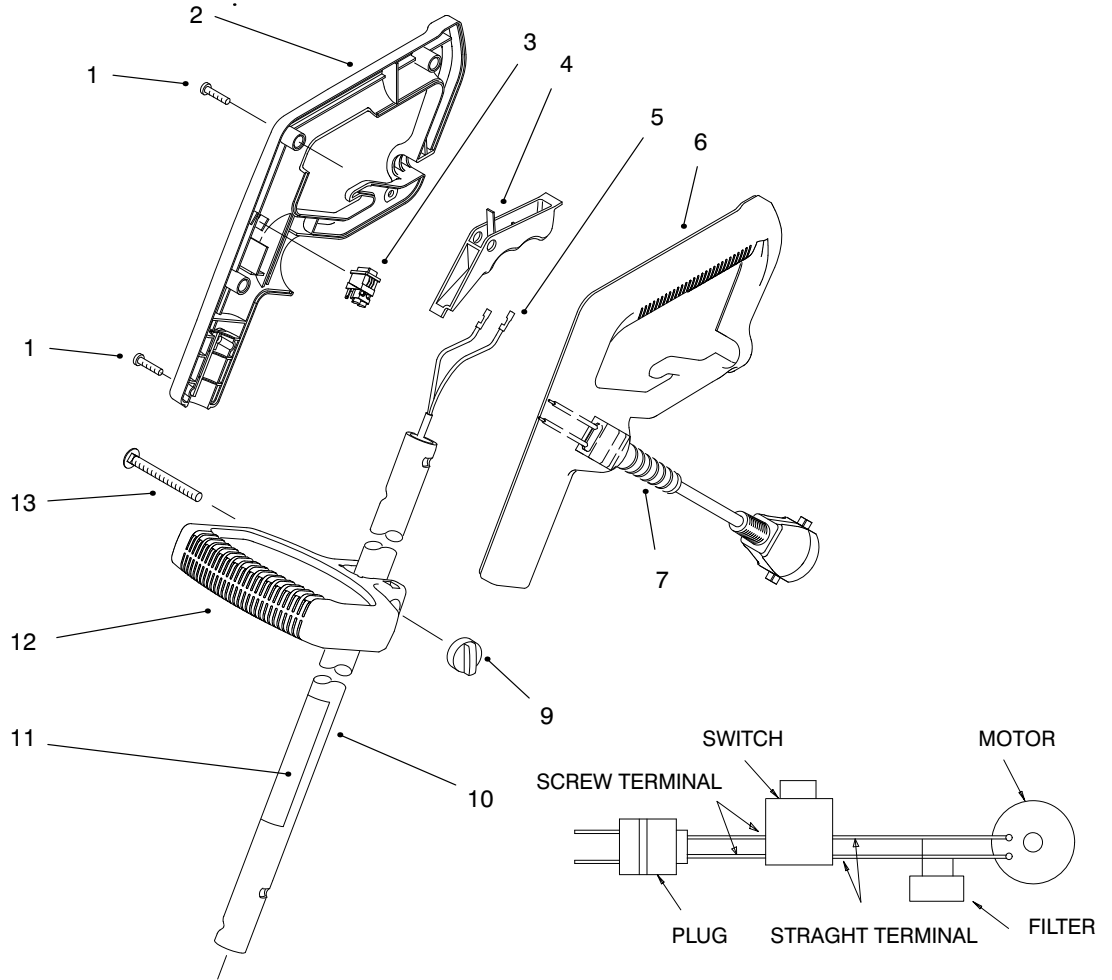




**MODEL NO. 51449-890001 & UP**

**PARTS CATALOG**

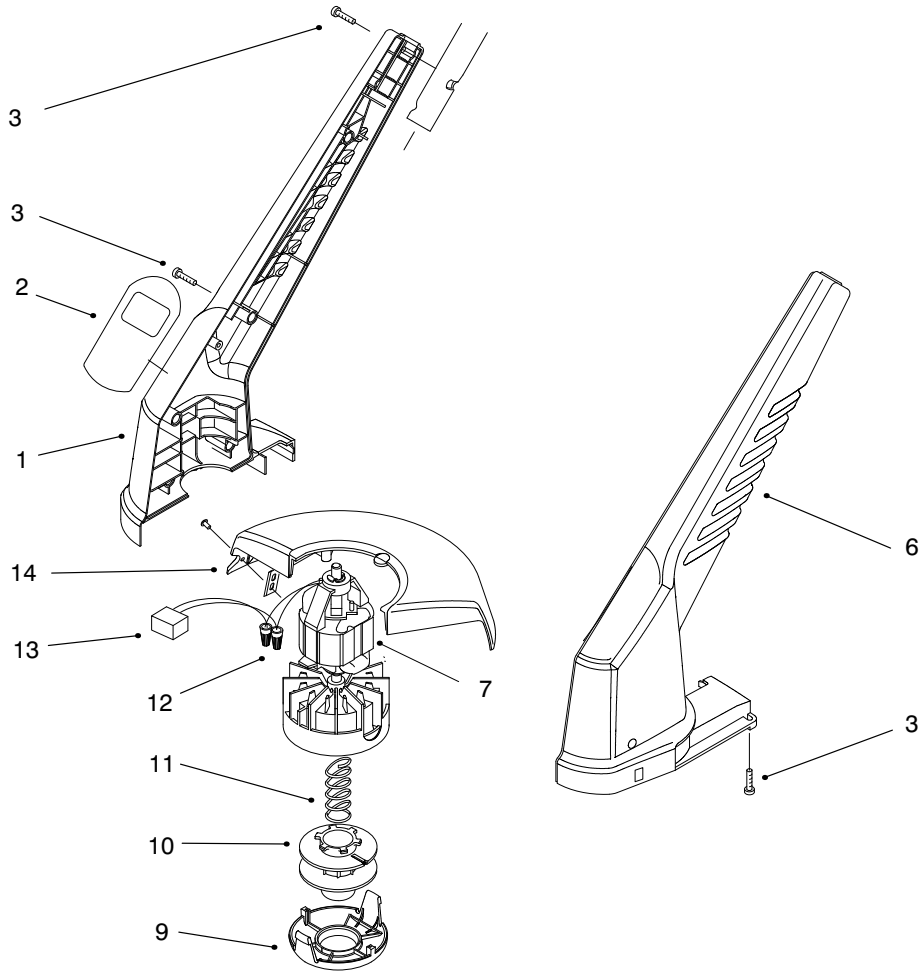
**35CM ELECTRIC TRIMMER**



**HANDLE ASSEMBLY**

Ref. No.	Part No.	Description	No. Used
1	94-4496	Screw - Pan Hd.	6
2	98-7162	Grip - Hand R.H.	1
3	73-9950	Switch	1
4	73-8170	Trigger	1
5	93-4459	Harness - Wire	1
6	98-7163	Grip - Hand L.H.	1
7	93-0556	Cord - Power	1

Ref. No.	Part No.	Description	No. Used
9	64-6660	Knob	1
10	93-4485	Tube Assembly (Incl. Ref. #11)	1
11	93-9098	Decal - Safety	1
12	73-8310	Handle - Mid	1
13	3229-32	Screw - Carriage	1



## MOTOR & HOUSING ASSEMBLY

Ref. No.	Part No.	Description	No. Used
1	98-1843	Housing R.H.	1
2	93-4455	Decal - 35CM Trimmer	1
3	94-4496	Screw - Pan Hd.	8
6	98-1845	Housing L.H.	1
7	93-8713	Motor Assembly - Trimmer	1
9	73-8200	Cap	1
10	73-8490	Spool	1
11	73-8220	Spring	1

Ref. No.	Part No.	Description	No. Used
12	73-6570	Connector - Wire Nut	2
13	73-9960	Fliter	1
14	73-9092	Shield	1
*	93-4466	Spool & Line Assembly (Incl. Ref. #10) (Parts)	1
*	88176	Spool & Line Assembly (Whole Good) (Incl. Ref. #10 and 30 ft of .065 line)	1

\*Not Illustrated