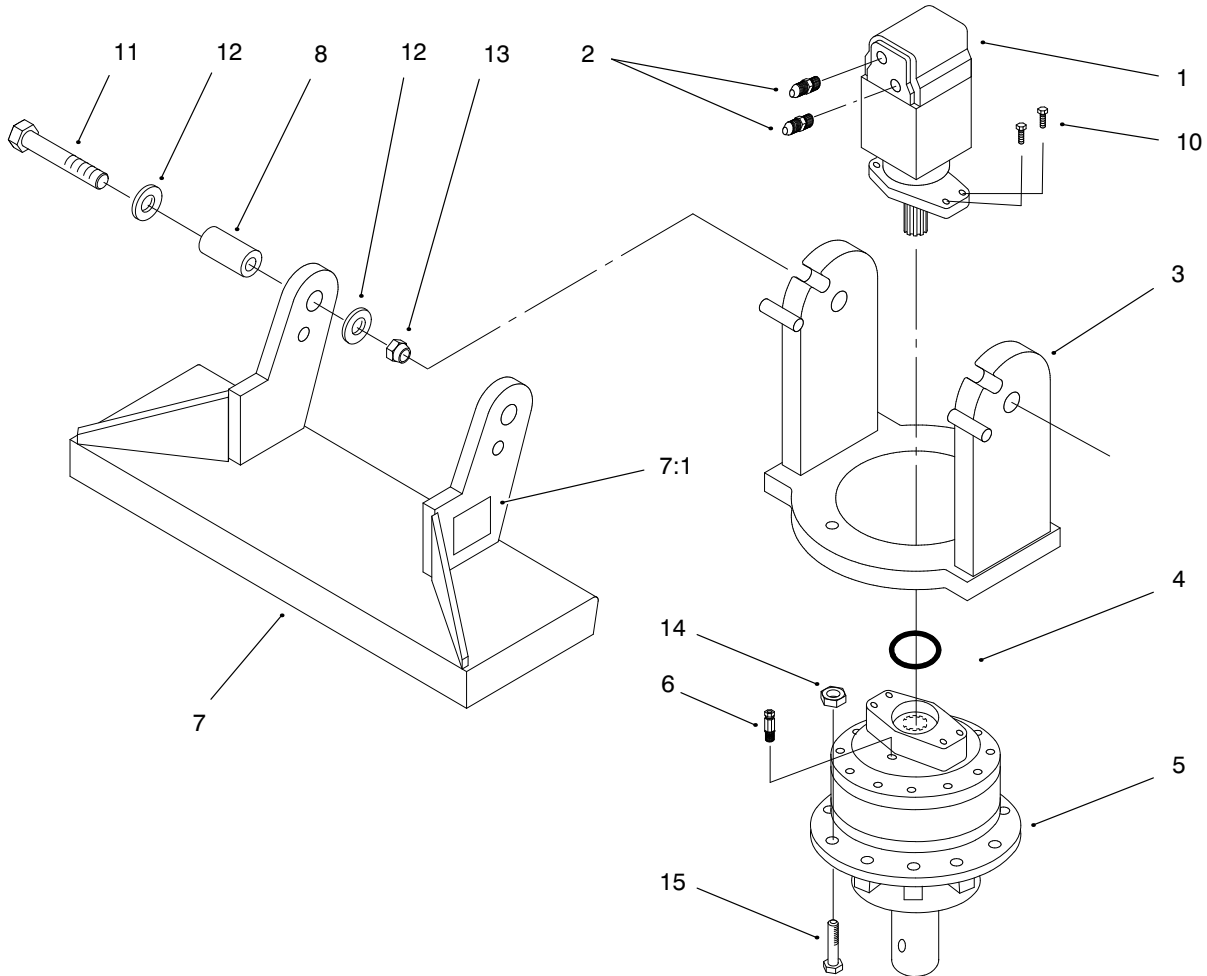




MODEL NO. 22400-80001 & UP

PARTS CATALOG

AUGER HEAD ATTACHMENT
for Toro Siteworks Systems



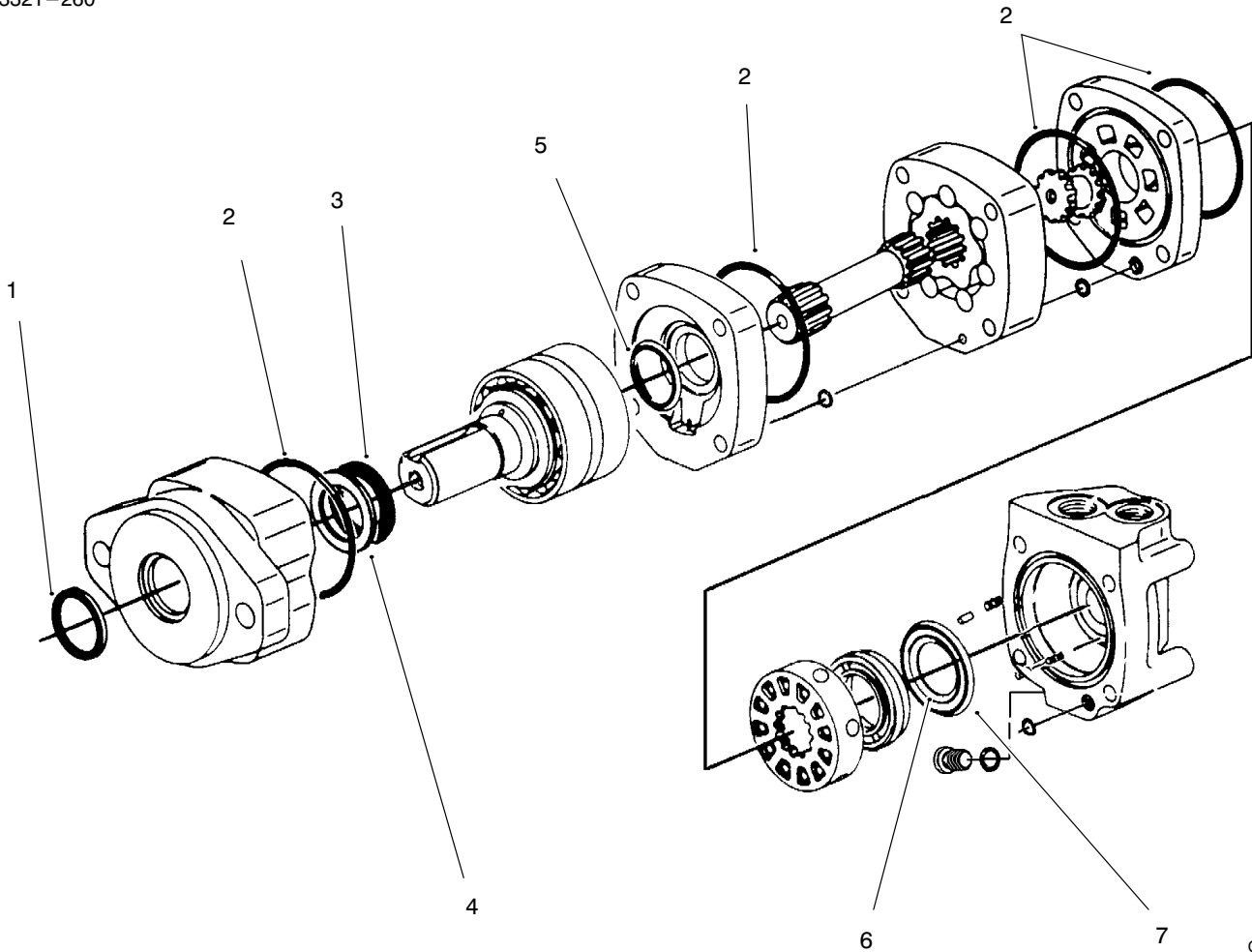
C-2744

AUGER HEAD ASSEMBLY

Ref. No.	Part No.	Description	No. Used
1	98-8256	Hydraulic Motor	1
*	56-6890	Seal Kit for 98-8256	1
2	340-6	O-Ring Nipple	2
3	98-8258	Drive Housing	1
4	98-8259	O-Ring	1
5	98-8260	Gear Planetary	1
6	98-8261	Breather Assembly	1
7	98-2705	Mount - Drive Head	1
7:1	98-8252	Decal Warning	2
8	99-1406	Pin - Pivot	2

Ref. No.	Part No.	Description	No. Used
10	3274-4	Screw - SHCS	4
11	325-12	Screw - HH	2
12	3256-26	Washer	4
13	3296-23	Nut - Hex	2
14	98-2703	Nut - Nylock	4
15	326-1	Screw - HH	4
*	98-8257	Hoses	2
*	98-4698	Male Coupler	1
*	98-4699	Female Coupler	1

* Not Illustrated



C-2754

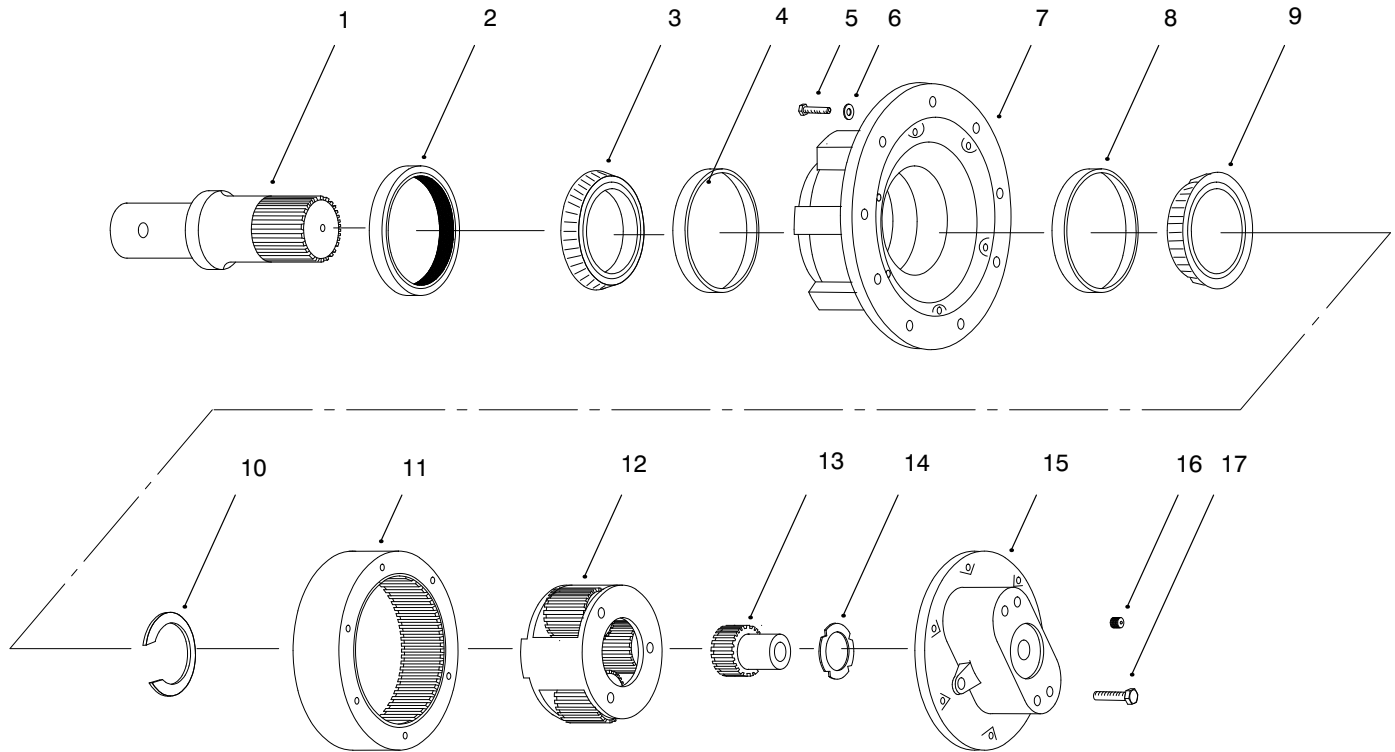
HYDRAULIC MOTOR AND ASSEMBLY

Ref. No.	Part No.	Description	No. Used
†1		Seal – Dust	1
†2		Seal – O–Ring	4
†3		Seal – Shaft	1
†4		Back–up Washer	1
†5		Seal – Shaft	1

Ref. No.	Part No.	Description	No. Used
†6		Seal – Inner	1
†7		Seal – Outer	1
*	56-6890	Seal Kit (Incl. Ref # 1-7)	1

† Not Serviced Separately

* Not Illustrated



C-2745

PLANETARY GEAR ASSEMBLY

Ref. No.	Part No.	Description	No. Used
1	98-8264	Round Output Shaft	1
2	60-3830	Oil Seal	1
3	60-3840	Bearing Cone	1
4	60-3850	Bearing Cup	2
5	60-3890	Bolt	6
6	60-3910	Flat Washer	6
7	98-8265	Hub	1
9	60-3880	Bearing Cone	1
10	62-6450	Retaining Ring	1

Ref. No.	Part No.	Description	No. Used
11	98-8266	Ring Gear	1
12	98-8267	Carrier Assembly	1
13	98-8268	Sun Gear	1
14	60-3980	Thrust Washer	1
15	98-8271	Cover	1
16	98-8269	Magnetic Pipe Plug	1
17	98-8270	Bolt	8

TORO PART NUMBER INDEX

Part No.	Description	Pg. Ref. No. No. Qty.	Part No.	Description	Pg. Ref. No. No. Qty.
56-6890	Seal Kit	2 * 1	98-8260	Gear Planetary	1 5 1
56-6890	Seal Kit for 98-8256	1 * 1	98-8261	Breather Assembly	1 6 1
60-3830	Oil Seal	3 2 1	98-8264	Round Output Shaft	3 1 1
60-3840	Bearing Cone	3 3 1	98-8265	Hub	3 7 1
60-3850	Bearing Cup	3 4 2	98-8266	Ring Gear	3 11 1
60-3880	Bearing Cone	3 9 1	98-8267	Carrier Assembly	3 12 1
60-3890	Bolt	3 5 6	98-8268	Sun Gear	3 13 1
60-3910	Flat Washer	3 6 6	98-8269	Magnetic Pipe Plug	3 16 1
60-3980	Thrust Washer	3 14 1	98-8270	Bolt	3 17 8
62-6450	Retaining Ring	3 10 1	98-8271	Cover	3 15 1
98-2703	Nut - Nylock	1 14 4	99-1406	Pin - Pivot	1 8 2
98-2705	Mount - Drive Head	1 7 1	325-12	Screw - HH	1 11 2
98-4698	Male Coupler	1 * 1	326-1	Screw - HH	1 15 4
98-4699	Female Coupler	1 * 1	3256-26	Washer	1 12 4
98-8252	Decal Warning	1 7:1 2	3274-4	Screw - SHCS	1 10 4
98-8256	Hydraulic Motor	1 1 1	3296-23	Nut - Hex	1 13 2
98-8257	Hoses	1 * 2	340-6	O-Ring Nipple	1 2 2
98-8258	Drive Housing	1 3 1			
98-8259	O-Ring	1 4 1			