



Count on it.

Parts Catalog

**53cm Mulching/Rear
Bagging/Side Discharging
Lawn Mower**

Model No. 29732—Serial No. 402100000 and Up



Ordering Replacement Parts

To order replacement parts, please supply the part number, the quantity, and the description of each part desired.

Understanding Reference Numbers

Each identified part in an illustration has a reference number. The reference number for a part also appears in the parts list, along with other information about the part.

This catalog uses two special reference number formats, one to indicate parts in a service assembly and another to indicate the quantity of a given part in an illustration.

Service Assembly Reference Numbers

Parts in service assemblies have reference numbers in the form a:b. The a represents the reference number of the entire service assembly and the b represents a sequential number unique to each part within the service assembly.

For example, a wheel assembly might be identified by reference number 6, the tire by 6:1, the valve by 6:2, and the wheel by 6:3. When you order the assembly identified by reference number 6, you receive all parts identified by reference numbers 6:1, 6:2, and 6:3. However, you may also order any part individually. Reference numbers of this type appear in illustration and in parts lists.

Reference Numbers Indicating Quantity

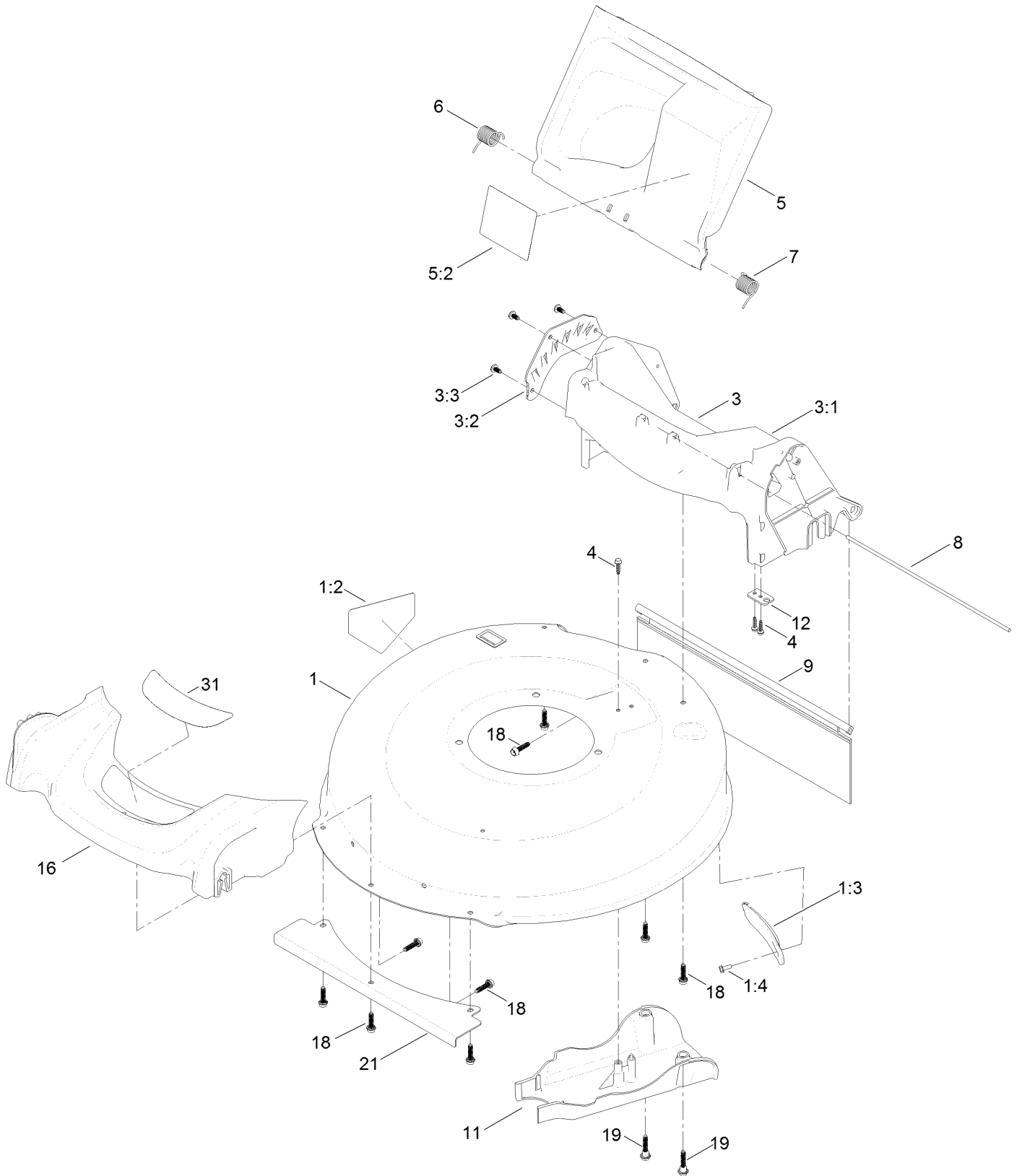
In an illustration, if a reference number indicates more than one part, the reference number has the form nX y. The n represents the quantity of the part, the X is the multiplication symbol, and the y represents the reference number.

For example, in an illustration, the reference number 2X 37 means that two of the parts identified by reference number 37 are indicated.

Contents

Housing Assembly	4
Grass Bag Assembly	6
Engine and Blade Assembly	8
Front Wheel Assembly	10
Rear Wheel Assembly	12
Handle Assembly	14
Attachments and Accessories	16

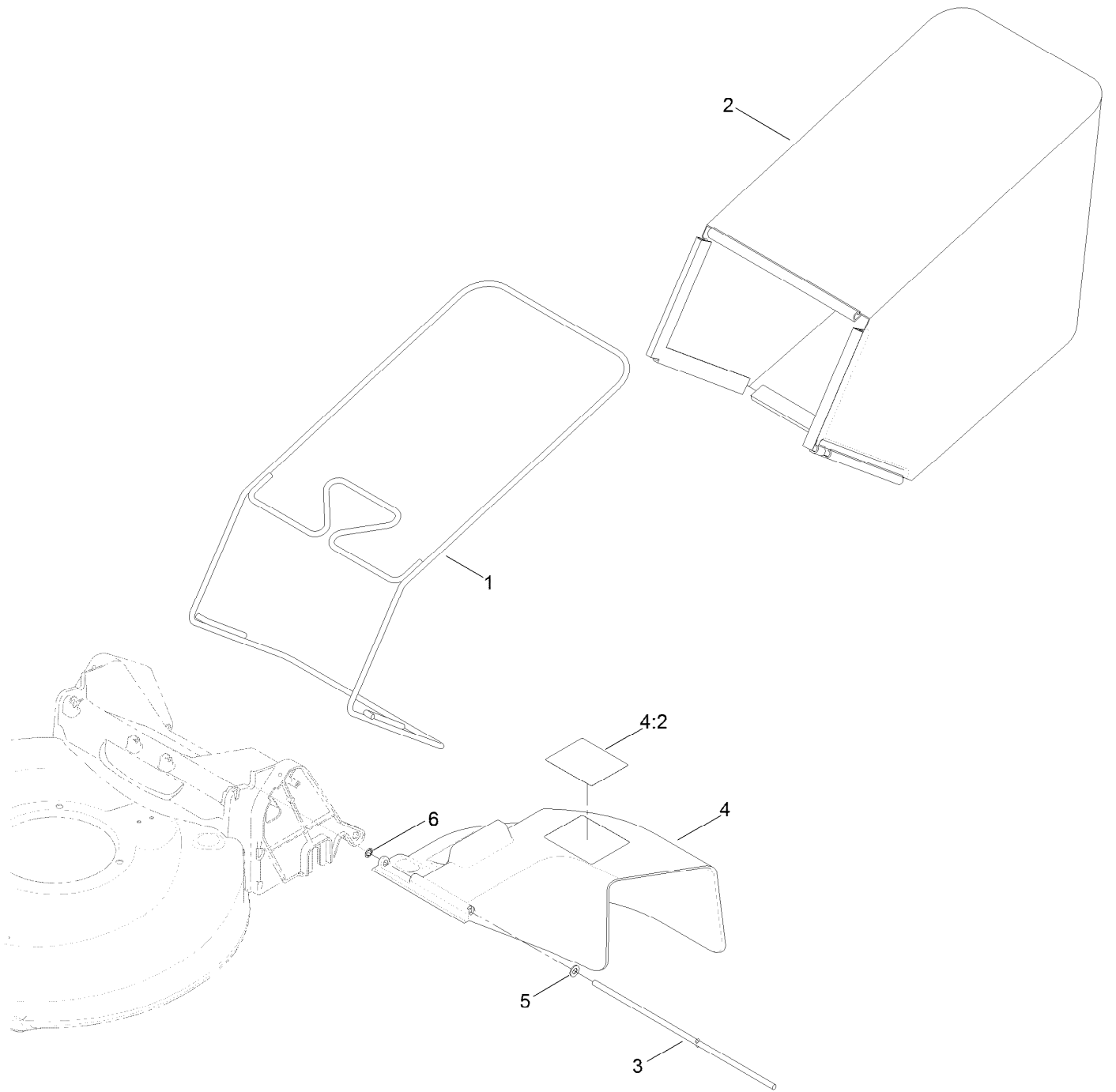
Housing Assembly



Housing Assembly (continued)

<i>Ref.</i>	<i>Part Number</i>	<i>Qty.</i>	<i>Description</i>	<i>Ref.</i>	<i>Part Number</i>	<i>Qty.</i>	<i>Description</i>
1	133-1939	1	Housing ASM	6	127-6807	1	Spring-Torsion
1:2	112-8760	1	Decal-Danger	7	127-6808	1	Spring-Torsion
1:3	132-4518	1	Cover-Belt	8	127-0698	1	Rod-Door
1:4	32144-1	1	Screw-Taptite	9	127-0724	1	Shield-Trailing
3	133-1913	1	Chute ASM	11	127-0723	1	Cover-Belt
3:1	133-1912	1	Chute	12	127-0730	1	Bracket-Cable
3:2	133-1905-03	1	Plate-HOC	16	127-0677	1	Bumper
3:3	133-1936	3	Screw-Bosscrew	18	130-6658	7	Screw-Flange, Plastic
4	127-6831	3	Screw-HWH	19	131-0837	2	Screw-Shoulder, HHF
5	130-2368	1	Rear Deflector ASM	21	131-0820-03	1	Shield-Front
5:2	117-4143	1	Decal-Warning	31	130-6740	1	Decal-Deck

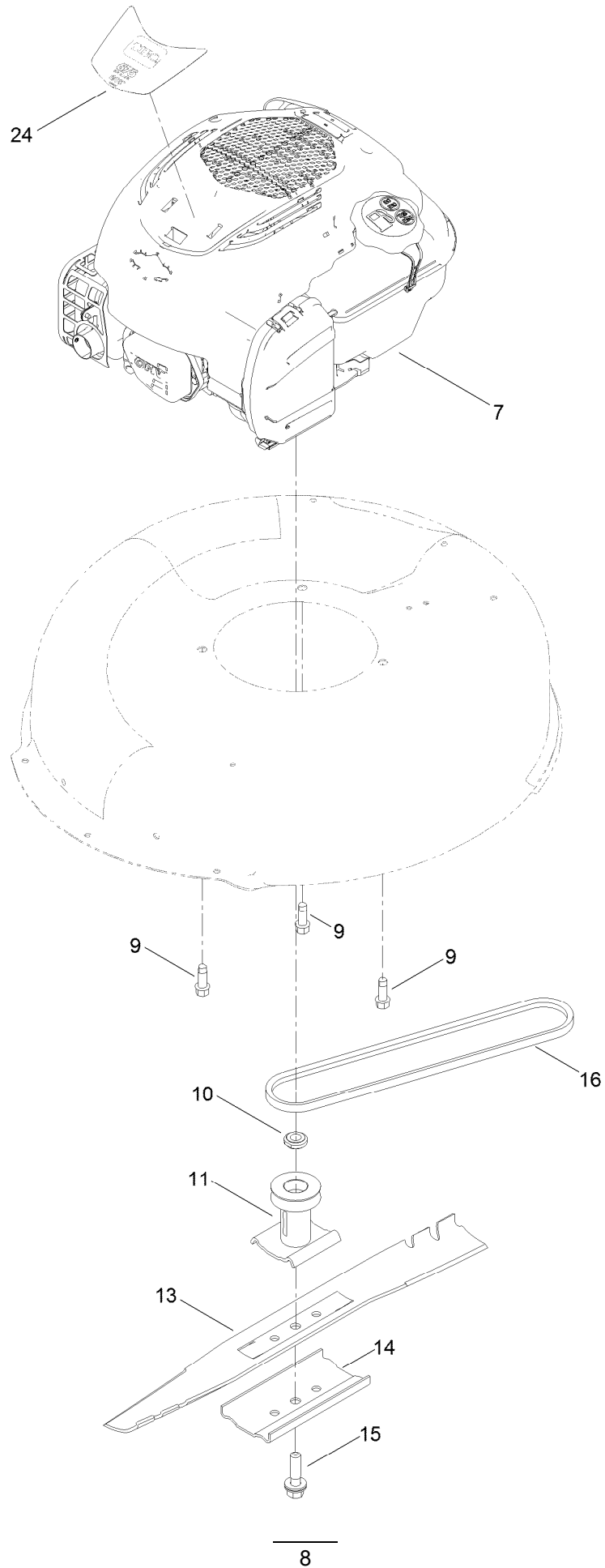
Grass Bag Assembly



Grass Bag Assembly (continued)

<i>Ref.</i>	<i>Part Number</i>	<i>Qty.</i>	<i>Description</i>	<i>Ref.</i>	<i>Part Number</i>	<i>Qty.</i>	<i>Description</i>
1	131-9697-03	1	Frame-Bag	4:2	117-4143	1	Decal-Warning
2	130-6744	1	Bag-Grass	5	3256-23	1	Washer-Plain
3	127-6815	1	Rod	6	32151-72	1	Ring-Retaining
4	127-6806	1	Deflector-Chute				

Engine and Blade Assembly



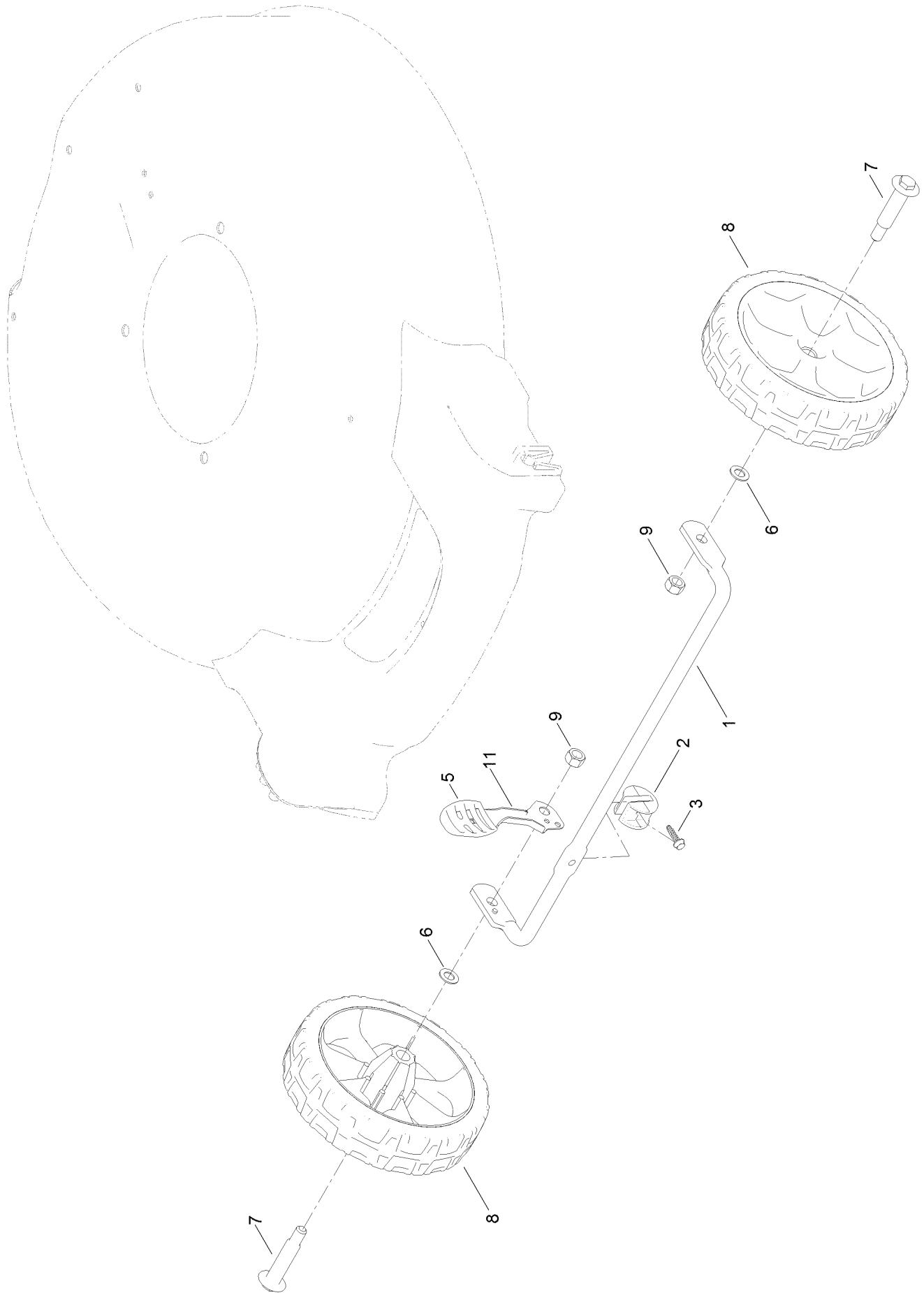
Engine and Blade Assembly (continued)

<i>Ref.</i>	<i>Part Number</i>	<i>Qty.</i>	<i>Description</i>	<i>Ref.</i>	<i>Part Number</i>	<i>Qty.</i>	<i>Description</i>
7		1	Engine-Briggs 104M020043F1 ●■	13	133-8182-03	1	Blade-21In
9	95-1726	3	Screw-Taptite	14	108-3766-03	1	Support-Blade
10	106-3999	1	Spacer-Driver	15	125-2466	1	Bolt-Blade
11	106-3987	1	Driver-Blade	16	110-9429	1	V-Belt
				24	132-4472	1	Decal-Shroud

● Not serviced separately

■ Obtain parts from www.briggsandstratton.com

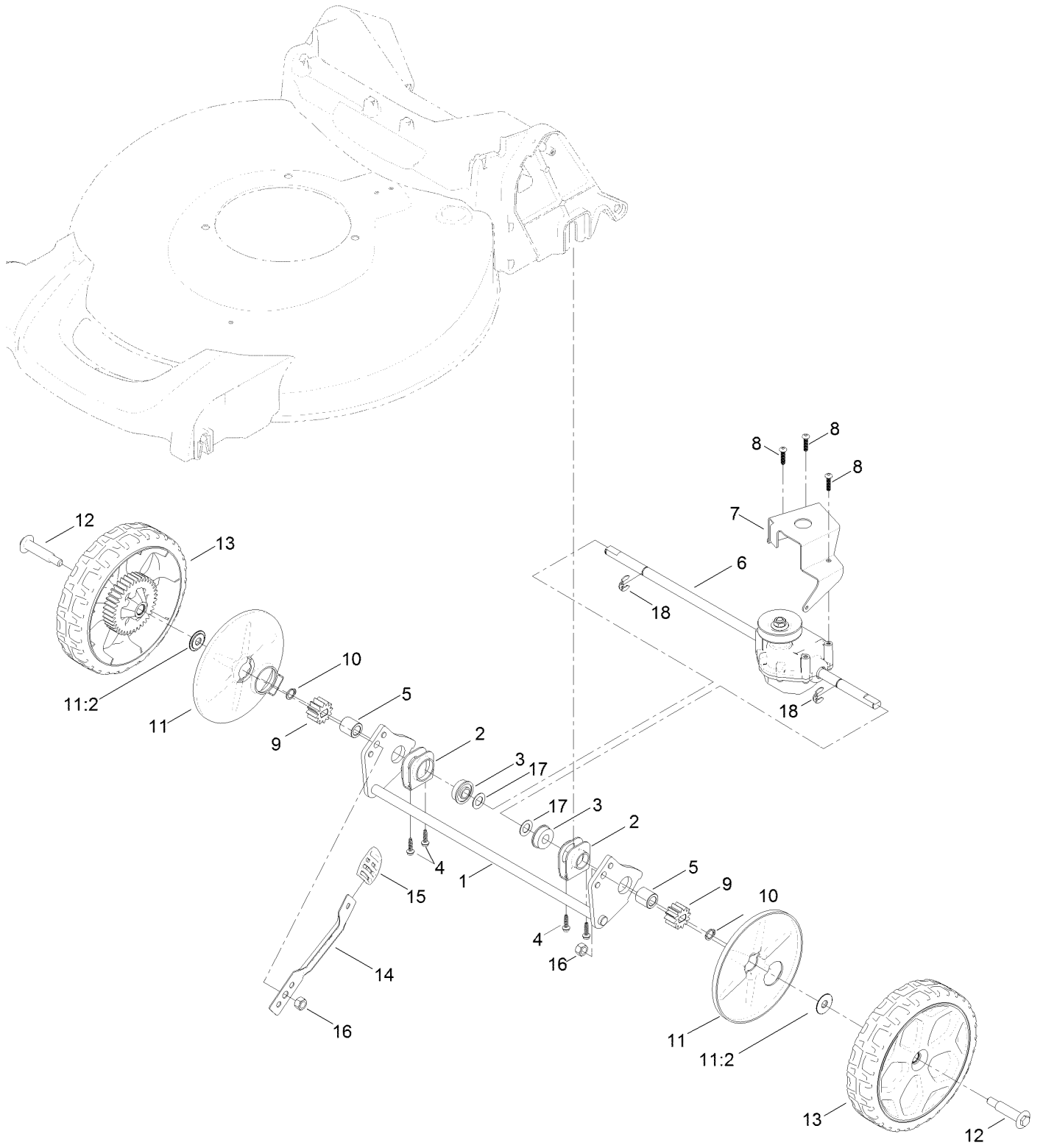
Front Wheel Assembly



Front Wheel Assembly (continued)

<i>Ref.</i>	<i>Part Number</i>	<i>Qty.</i>	<i>Description</i>	<i>Ref.</i>	<i>Part Number</i>	<i>Qty.</i>	<i>Description</i>
1	127-0668-03	1	Axle-Front	7	92-1057	2	Bolt-Shoulder
2	127-6800	1	Stop-Axle	8	127-0683	2	7 Inch Wheel ASM
3	127-6831	1	Screw-HWH	9	125-5069	2	Nut-Hex
5	105-3042	1	Knob-Lever, HOC	11	133-8154	1	Arm-Spring
6	40-1940	2	Washer				

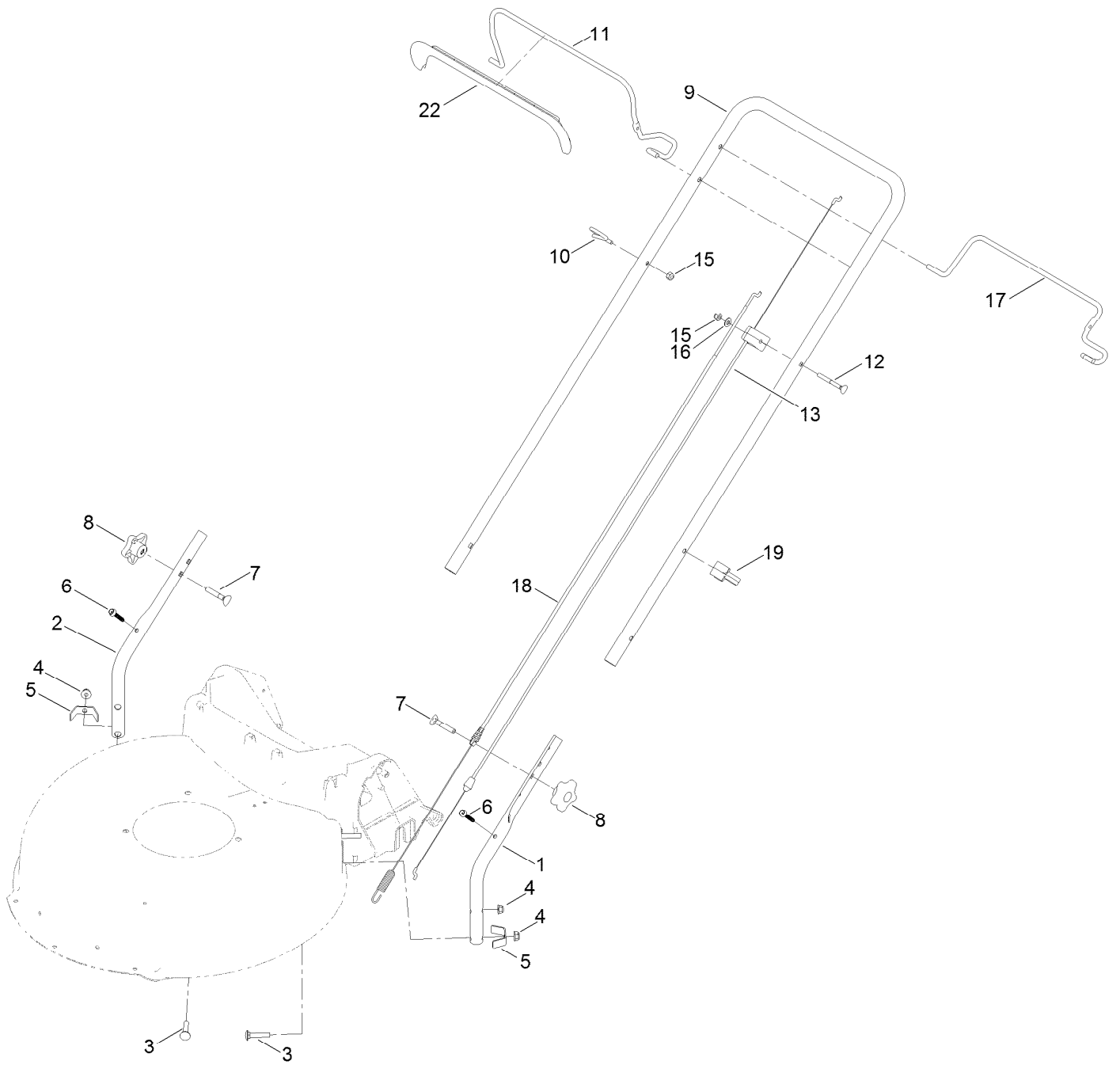
Rear Wheel Assembly



Rear Wheel Assembly (continued)

<i>Ref.</i>	<i>Part Number</i>	<i>Qty.</i>	<i>Description</i>	<i>Ref.</i>	<i>Part Number</i>	<i>Qty.</i>	<i>Description</i>
1	127-0708-03	1	Axle-Rear	11	127-6840	2	Wheel Cover ASM
2	127-0707	2	Retainer-Bearing	11:2	614426	1	Washer-Stepped
3	104-8699	2	Bearing-Ball	12	92-1057	2	Bolt-Shoulder
4	127-6831	4	Screw-HWH	13	127-0692	2	8 Inch Wheel Gear ASM
5	127-6896	2	Bushing-Sleeve	14	127-0711	1	Arm-Spring
6	131-0881	1	Transmission	15	105-3042	1	Knob-Lever, HOC
7	114-7977-03	1	Bracket-Transmission	16	125-5069	2	Nut-Hex
8	108-7476	3	Screw-Plastite	17	36-4780	2	Washer-Plain
9	115-4668	2	Gear-Pinion	18	65-2720	2	Ring-Clip, Locking
10	32151-61	2	Ring-Retaining				

Handle Assembly



Handle Assembly (continued)

<i>Ref.</i>	<i>Part Number</i>	<i>Qty.</i>	<i>Description</i>	<i>Ref.</i>	<i>Part Number</i>	<i>Qty.</i>	<i>Description</i>
1	136-5923-05	1	Handle-Lower, LH	11	137-4798-03	1	Bail-Brake
2	136-5924-05	1	Handle-Lower, RH	12	92-2270	1	Screw-Handle
3	130-6654	4	Bolt-CARR	13	112-8818	1	Cable-Brake
4	130-6655	4	Nut-Flange, NI	15	3296-73	2	Nut-Lock, NI
5	127-0699	2	Bracket-Chute	16	3256-1	1	Washer-Flat
6	130-6659	2	Screw-Flange, Serrated	17	137-4799-03	1	Bail-Traction
7	92-2260	2	Screw-Handle	18	127-0733	1	Cable-Traction
8	117-5976	2	Knob-Handle	19	114-7988	1	Guide-Cable
9	137-4826-05	1	Handle-Upper	22	137-4797	1	Cover-Bail
10	86-9671	1	Guide-Rope				

Attachments and Accessories

For 29732 53cm Mulching/Rear Bagging/Side Discharging Lawn Mower

Product Name

Model/Part

Side-Discharge Deflector, 2013 and After 21in Steel Deck Mower 136-7060

Notes:

Notes:

Notes:



Count on it.