



Count on it.

Parts Catalog

**53cm Mulching/Rear
Bagging/Side Discharging
Lawn Mower**

Model No. 29734—Serial No. 402100000 and Up



Ordering Replacement Parts

To order replacement parts, please supply the part number, the quantity, and the description of each part desired.

Understanding Reference Numbers

Each identified part in an illustration has a reference number. The reference number for a part also appears in the parts list, along with other information about the part.

This catalog uses two special reference number formats, one to indicate parts in a service assembly and another to indicate the quantity of a given part in an illustration.

Service Assembly Reference Numbers

Parts in service assemblies have reference numbers in the form a:b. The a represents the reference number of the entire service assembly and the b represents a sequential number unique to each part within the service assembly.

For example, a wheel assembly might be identified by reference number 6, the tire by 6:1, the valve by 6:2, and the wheel by 6:3. When you order the assembly identified by reference number 6, you receive all parts identified by reference numbers 6:1, 6:2, and 6:3. However, you may also order any part individually. Reference numbers of this type appear in illustration and in parts lists.

Reference Numbers Indicating Quantity

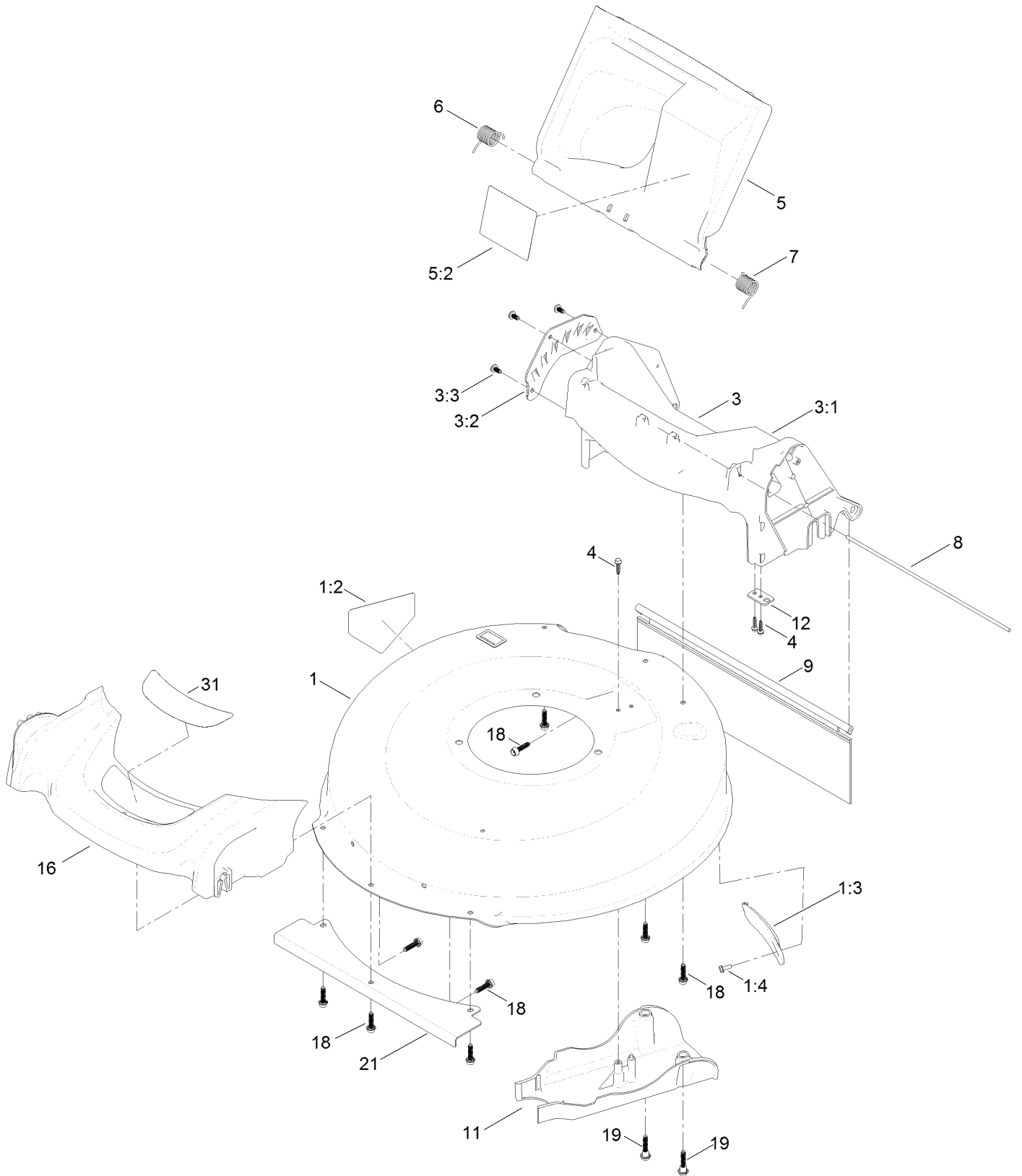
In an illustration, if a reference number indicates more than one part, the reference number has the form nX y. The n represents the quantity of the part, the X is the multiplication symbol, and the y represents the reference number.

For example, in an illustration, the reference number 2X 37 means that two of the parts identified by reference number 37 are indicated.

Contents

- Housing Assembly 4
- Grass Bag Assembly 6
- Engine and Blade Assembly 8
- Front Wheel Assembly 10
- Rear Wheel Assembly 12
- Handle Assembly 14
- Electrical Assembly 16
- Attachments and Accessories 18

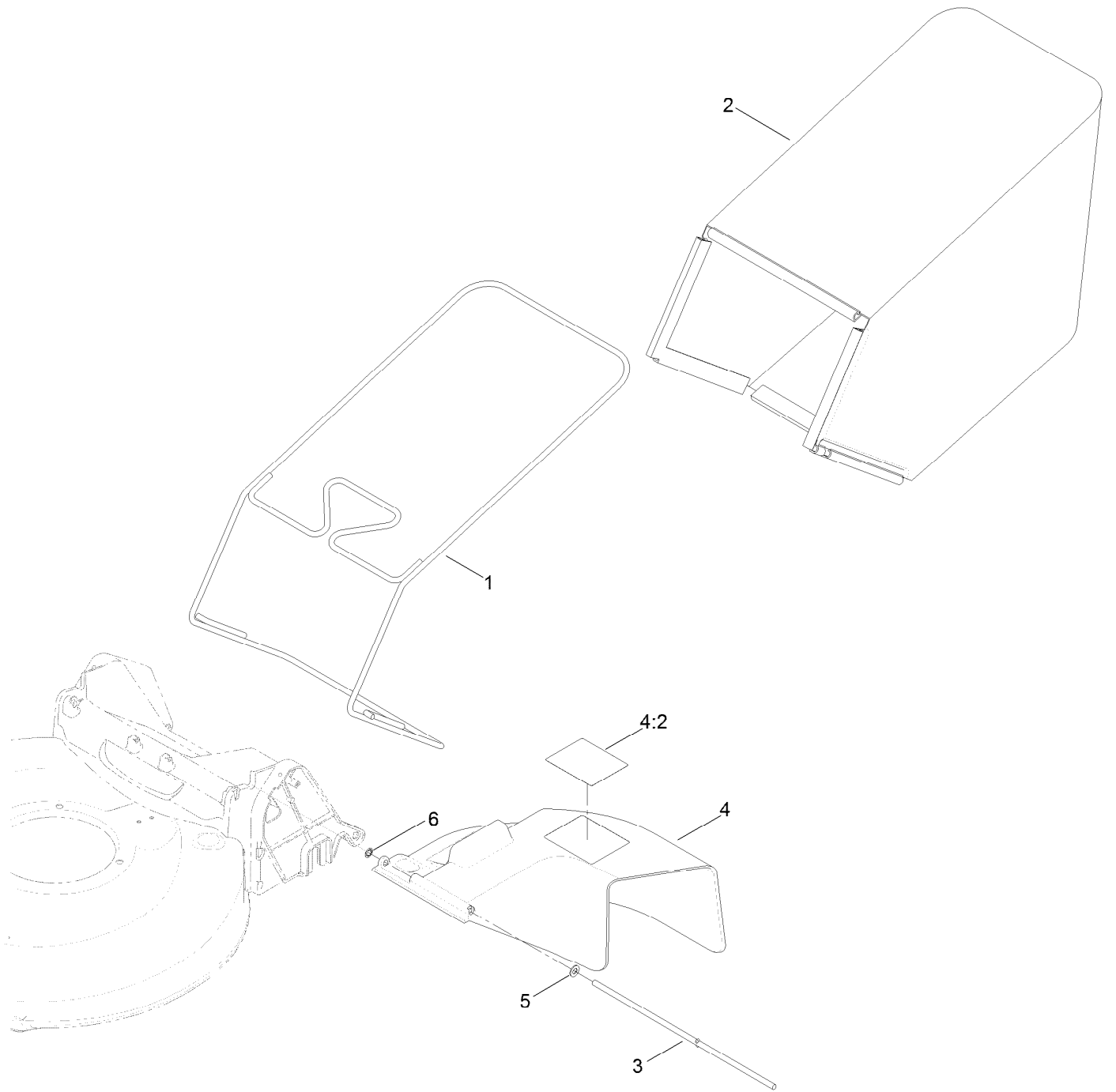
Housing Assembly



Housing Assembly (continued)

| <i>Ref.</i> | <i>Part Number</i> | <i>Qty.</i> | <i>Description</i> | <i>Ref.</i> | <i>Part Number</i> | <i>Qty.</i> | <i>Description</i> |
|-------------|--------------------|-------------|--------------------|-------------|--------------------|-------------|-----------------------|
| 1 | 133-1939 | 1 | Housing ASM | 6 | 127-6807 | 1 | Spring-Torsion |
| 1:2 | 112-8760 | 1 | Decal-Danger | 7 | 127-6808 | 1 | Spring-Torsion |
| 1:3 | 132-4518 | 1 | Cover-Belt | 8 | 127-0698 | 1 | Rod-Door |
| 1:4 | 32144-1 | 1 | Screw-Taptite | 9 | 127-0724 | 1 | Shield-Trailing |
| 3 | 133-1913 | 1 | Chute ASM | 11 | 127-0723 | 1 | Cover-Belt |
| 3:1 | 133-1912 | 1 | Chute | 12 | 127-0730 | 1 | Bracket-Cable |
| 3:2 | 133-1905-03 | 1 | Plate-HOC | 16 | 127-0677 | 1 | Bumper |
| 3:3 | 133-1936 | 3 | Screw-Bosscrew | 18 | 130-6658 | 7 | Screw-Flange, Plastic |
| 4 | 127-6831 | 3 | Screw-HWH | 19 | 131-0837 | 2 | Screw-Shoulder, HHF |
| 5 | 130-2368 | 1 | Rear Deflector ASM | 21 | 131-0820-03 | 1 | Shield-Front |
| 5:2 | 117-4143 | 1 | Decal-Warning | 31 | 130-6740 | 1 | Decal-Deck |

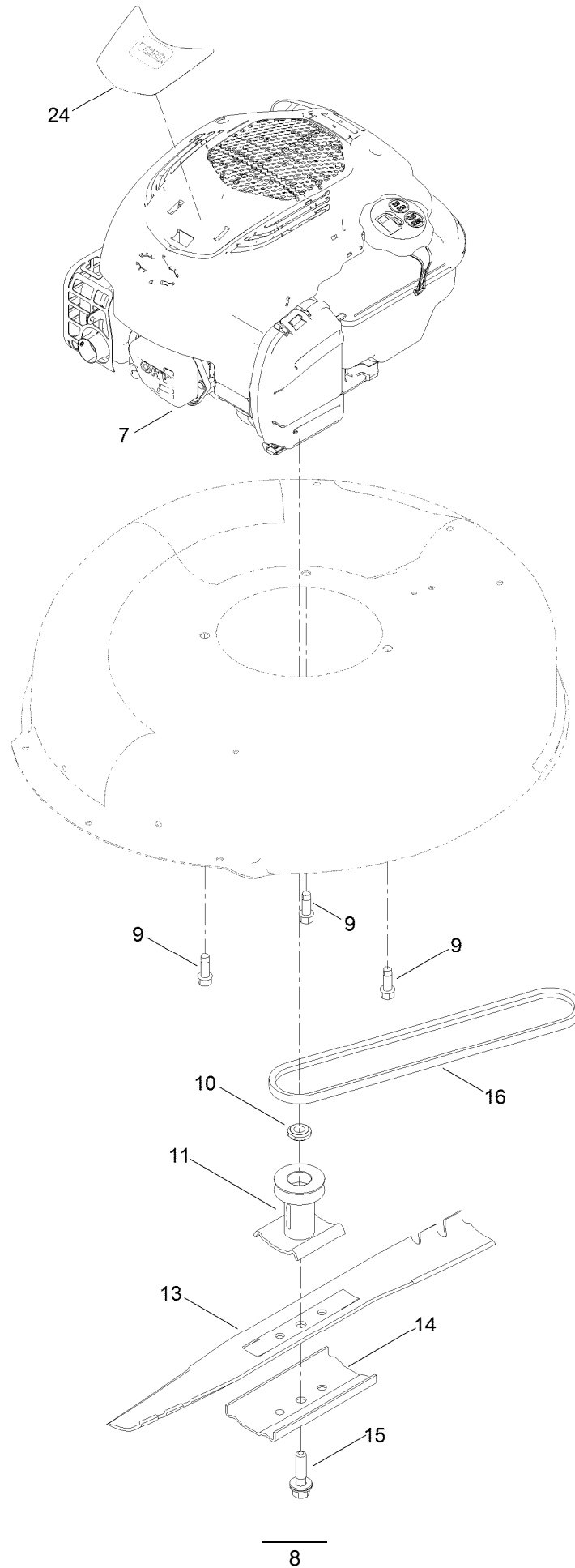
Grass Bag Assembly



Grass Bag Assembly (continued)

| <i>Ref.</i> | <i>Part Number</i> | <i>Qty.</i> | <i>Description</i> | <i>Ref.</i> | <i>Part Number</i> | <i>Qty.</i> | <i>Description</i> |
|-------------|--------------------|-------------|--------------------|-------------|--------------------|-------------|--------------------|
| 1 | 131-9697-03 | 1 | Frame-Bag | 4:2 | 117-4143 | 1 | Decal-Warning |
| 2 | 130-6744 | 1 | Bag-Grass | 5 | 3256-23 | 1 | Washer-Plain |
| 3 | 127-6815 | 1 | Rod | 6 | 32151-72 | 1 | Ring-Retaining |
| 4 | 127-6806 | 1 | Deflector-Chute | | | | |

Engine and Blade Assembly



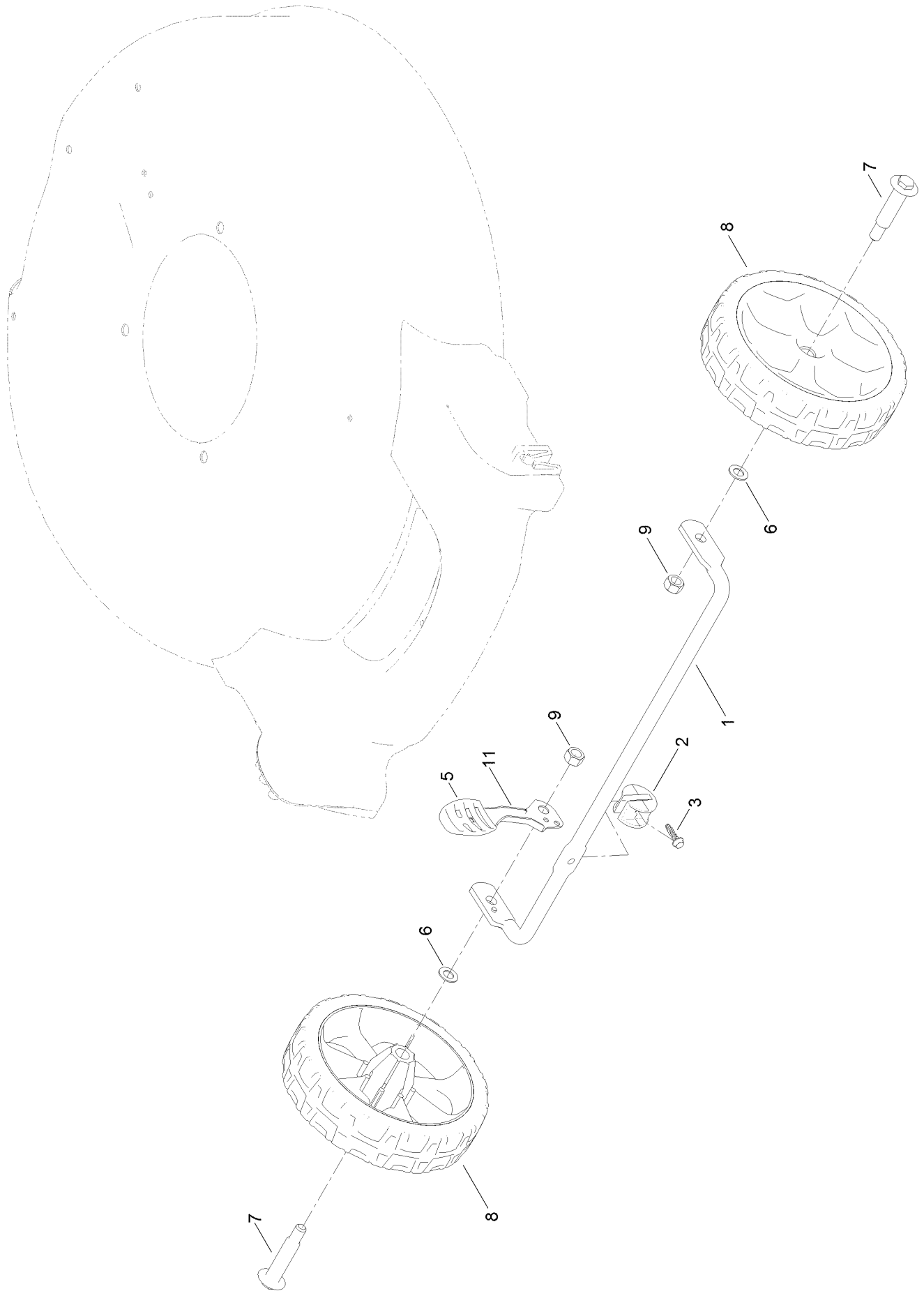
Engine and Blade Assembly (continued)

| <i>Ref.</i> | <i>Part Number</i> | <i>Qty.</i> | <i>Description</i> | <i>Ref.</i> | <i>Part Number</i> | <i>Qty.</i> | <i>Description</i> |
|-------------|--------------------|-------------|----------------------------------|-------------|--------------------|-------------|--------------------|
| 7 | | 1 | Engine-Briggs 104M050051F1 ●■ | 13 | 133-8182-03 | 1 | Blade-21In |
| 9 | 95-1726 | 3 | Screw-Taptite | 14 | 108-3766-03 | 1 | Support-Blade |
| 10 | 106-3999 | 1 | Spacer-Driver | 15 | 125-2466 | 1 | Bolt-Blade |
| 11 | 106-3987 | 1 | Driver-Blade | 16 | 110-9429 | 1 | V-Belt |
| | | | | 24 | 132-4472 | 1 | Decal-Shroud |

● Not serviced separately

■ Obtain parts from www.briggsandstratton.com

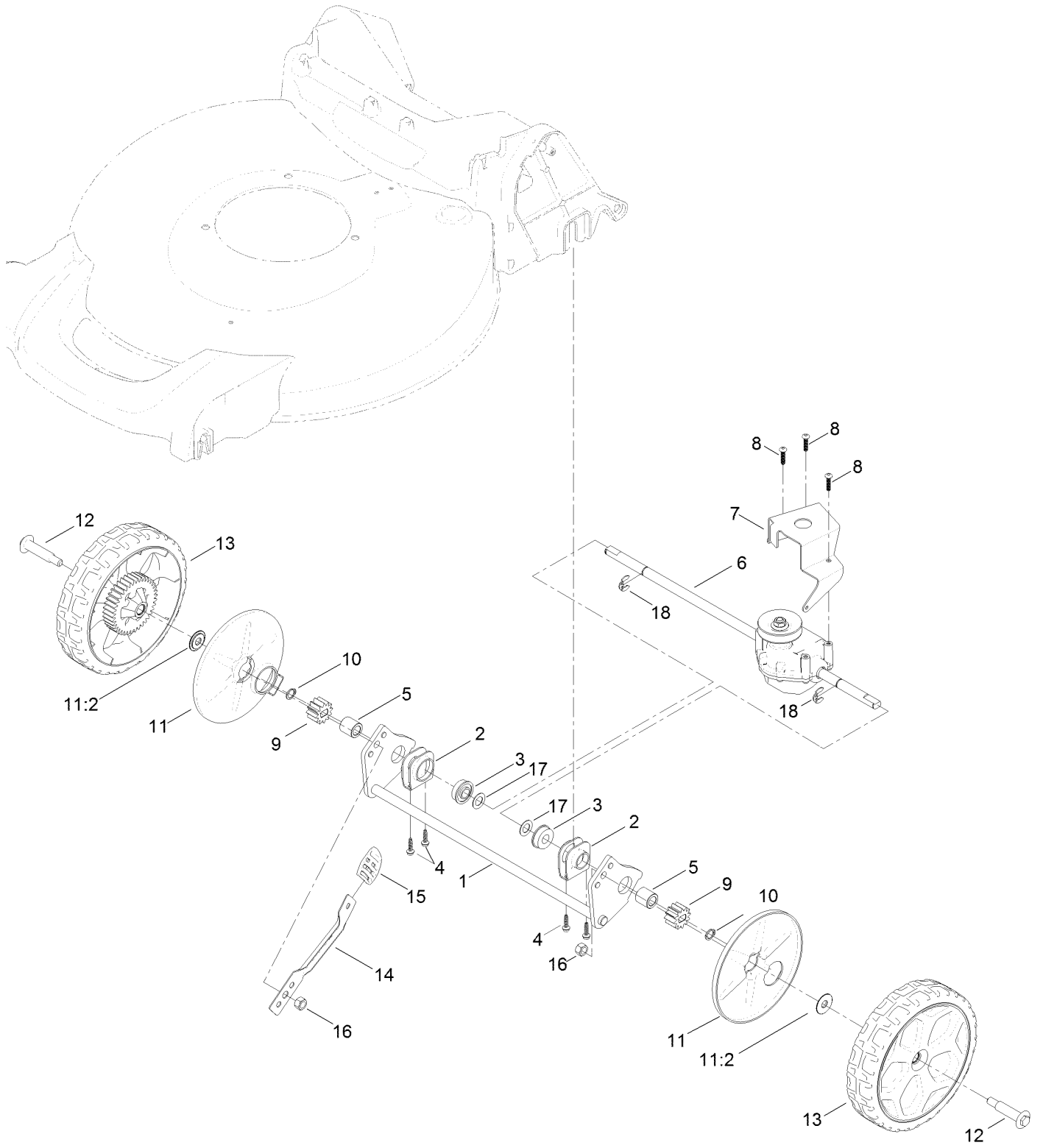
Front Wheel Assembly



Front Wheel Assembly (continued)

| <i>Ref.</i> | <i>Part Number</i> | <i>Qty.</i> | <i>Description</i> | <i>Ref.</i> | <i>Part Number</i> | <i>Qty.</i> | <i>Description</i> |
|-------------|--------------------|-------------|--------------------|-------------|--------------------|-------------|--------------------|
| 1 | 127-0668-03 | 1 | Axle-Front | 7 | 92-1057 | 2 | Bolt-Shoulder |
| 2 | 127-6800 | 1 | Stop-Axle | 8 | 127-0683 | 2 | 7 Inch Wheel ASM |
| 3 | 127-6831 | 1 | Screw-HWH | 9 | 125-5069 | 2 | Nut-Hex |
| 5 | 105-3042 | 1 | Knob-Lever, HOC | 11 | 133-8154 | 1 | Arm-Spring |
| 6 | 40-1940 | 2 | Washer | | | | |

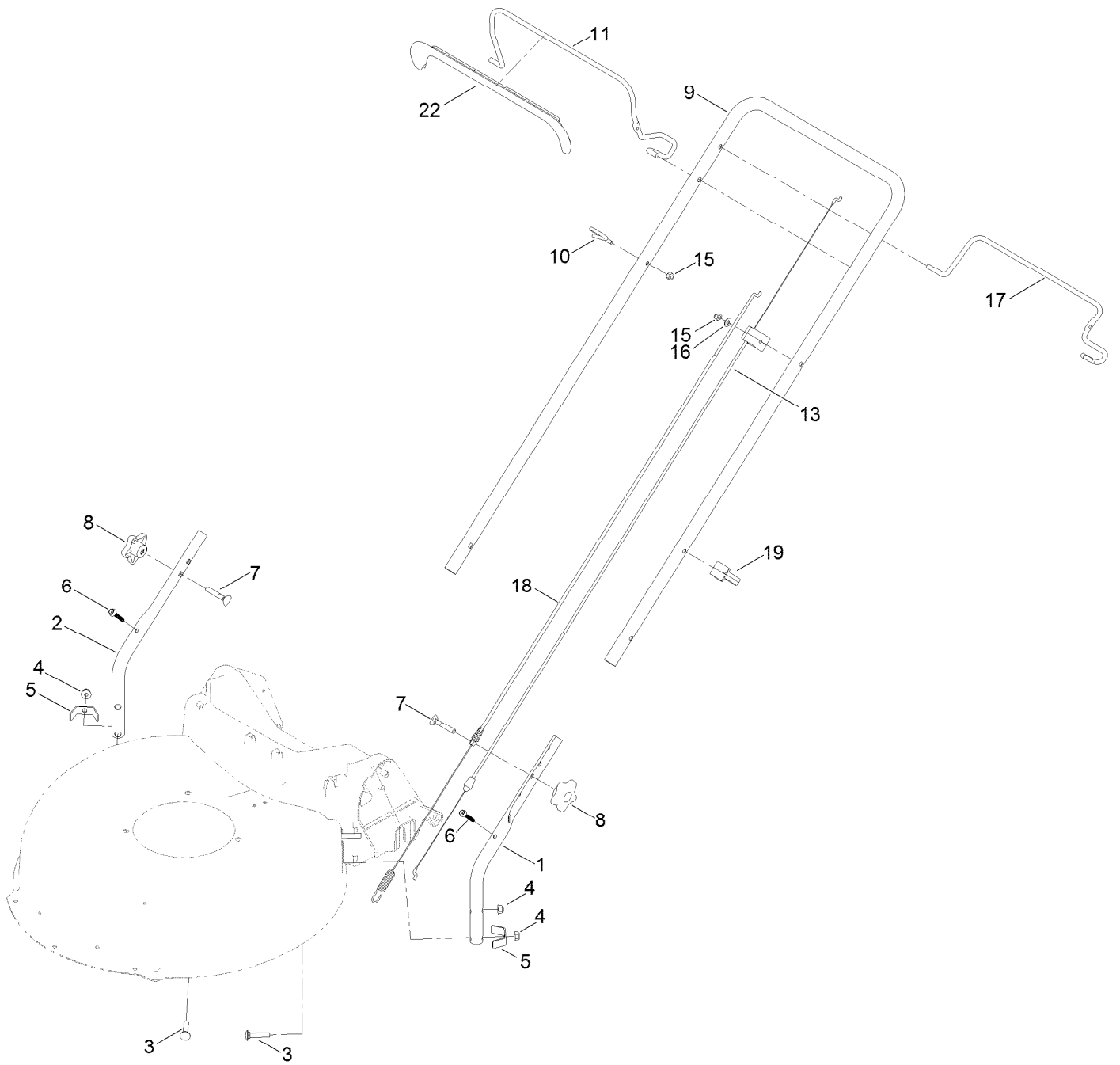
Rear Wheel Assembly



Rear Wheel Assembly (continued)

| <i>Ref.</i> | <i>Part Number</i> | <i>Qty.</i> | <i>Description</i> | <i>Ref.</i> | <i>Part Number</i> | <i>Qty.</i> | <i>Description</i> |
|-------------|--------------------|-------------|----------------------|-------------|--------------------|-------------|-----------------------|
| 1 | 127-0708-03 | 1 | Axle-Rear | 11 | 127-6840 | 2 | Wheel Cover ASM |
| 2 | 127-0707 | 2 | Retainer-Bearing | 11:2 | 614426 | 1 | Washer-Stepped |
| 3 | 104-8699 | 2 | Bearing-Ball | 12 | 92-1057 | 2 | Bolt-Shoulder |
| 4 | 127-6831 | 4 | Screw-HWH | 13 | 127-0692 | 2 | 8 Inch Wheel Gear ASM |
| 5 | 127-6896 | 2 | Bushing-Sleeve | 14 | 127-0711 | 1 | Arm-Spring |
| 6 | 131-0881 | 1 | Transmission | 15 | 105-3042 | 1 | Knob-Lever, HOC |
| 7 | 114-7977-03 | 1 | Bracket-Transmission | 16 | 125-5069 | 2 | Nut-Hex |
| 8 | 108-7476 | 3 | Screw-Plastite | 17 | 36-4780 | 2 | Washer-Plain |
| 9 | 115-4668 | 2 | Gear-Pinion | 18 | 65-2720 | 2 | Ring-Clip, Locking |
| 10 | 32151-61 | 2 | Ring-Retaining | | | | |

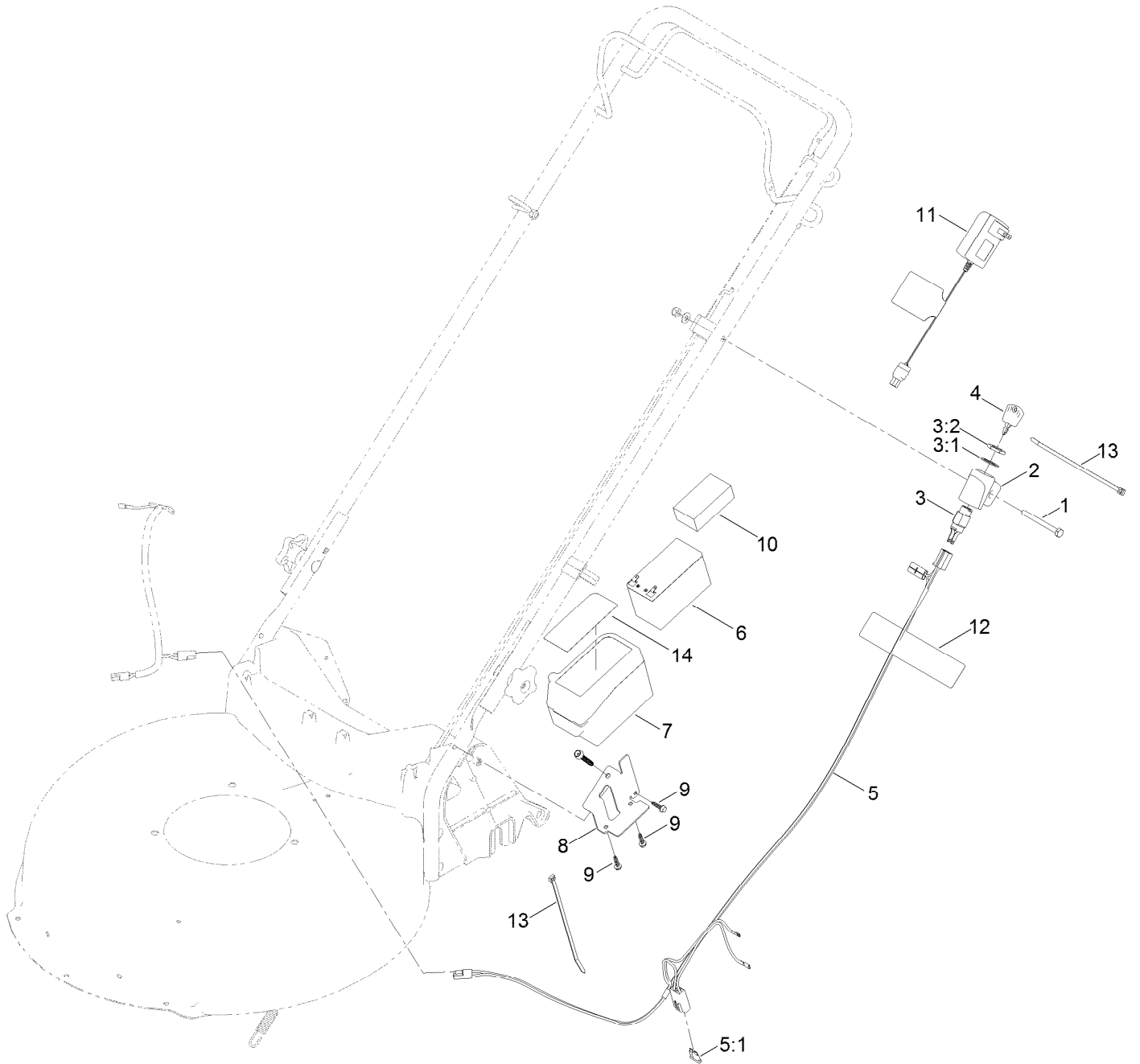
Handle Assembly



Handle Assembly (continued)

| <i>Ref.</i> | <i>Part Number</i> | <i>Qty.</i> | <i>Description</i> | <i>Ref.</i> | <i>Part Number</i> | <i>Qty.</i> | <i>Description</i> |
|-------------|--------------------|-------------|------------------------|-------------|--------------------|-------------|--------------------|
| 1 | 136-5923-05 | 1 | Handle-Lower, LH | 10 | 86-9671 | 1 | Guide-Rope |
| 2 | 136-5924-05 | 1 | Handle-Lower, RH | 11 | 137-4798-03 | 1 | Bail-Brake |
| 3 | 130-6654 | 4 | Bolt-CARR | 13 | 112-8818 | 1 | Cable-Brake |
| 4 | 130-6655 | 4 | Nut-Flange, NI | 15 | 3296-73 | 2 | Nut-Lock, NI |
| 5 | 127-0699 | 2 | Bracket-Chute | 16 | 3256-1 | 1 | Washer-Flat |
| 6 | 130-6659 | 2 | Screw-Flange, Serrated | 17 | 137-4799-03 | 1 | Bail-Traction |
| 7 | 92-2260 | 2 | Screw-Handle | 18 | 127-0733 | 1 | Cable-Traction |
| 8 | 117-5976 | 2 | Knob-Handle | 19 | 114-7988 | 1 | Guide-Cable |
| 9 | 137-4826-05 | 1 | Handle-Upper | 22 | 137-4797 | 1 | Cover-Bail |

Electrical Assembly



Electrical Assembly (continued)

| <i>Ref.</i> | <i>Part Number</i> | <i>Qty.</i> | <i>Description</i> | <i>Ref.</i> | <i>Part Number</i> | <i>Qty.</i> | <i>Description</i> |
|-------------|--------------------|-------------|----------------------------|-------------|--------------------|-------------|--------------------|
| 1 | 321-57 | 1 | Screw-HH | 7 | 127-0695 | 1 | Battery Box ASM |
| 2 | 108-9760 | 1 | Mount-Switch | 8 | 127-6835-03 | 1 | Bracket-Battery |
| 3 | 46-5780 | 1 | Starter Switch ASM | 9 | 127-6831 | 3 | Screw-HWH |
| 3:1 | 3254-5 | 1 | Washer-Tooth, Internal | 10 | 107-3774 | 1 | Foam-Battery, Top |
| 3:2 | 218-461 | 1 | Nut-HH | 11 | 136-9127 | 1 | Charger-Battery |
| 4 | 700918 | 1 | Key | 12 | 104-7953 | 1 | Decal-Warning |
| 5 | 127-6837 | 1 | Harness-Wire | 13 | 614249 | 2 | Tie-Cable |
| 5:1 | 99-6124 | 1 | Fuse-40 Amp | 14 | 130-6743 | 1 | Decal-Box, Battery |
| 6 | 127-0694 | 1 | Battery-Nonspillable, 12 V | | | | |

Attachments and Accessories

For 29734 53cm Mulching/Rear Bagging/Side Discharging Lawn Mower

Product Name

Model/Part

Side-Discharge Deflector, 2013 and After 21in Steel Deck Mower 136-7060

Notes:



Count on it.