



**Z-320**

# **OUT FRONT Z Traction Unit**

**Model No. 74180 – 891200 & Up**

---

## **Operator's Manual**

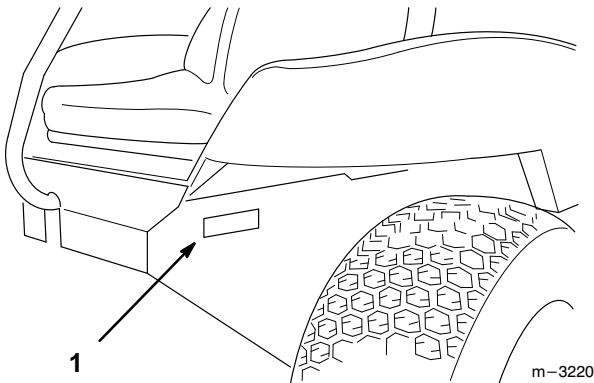
**IMPORTANT:** Read this manual carefully. It contains information about your safety and the safety of others. Also become familiar with the controls and their proper use before you operate the product.

# Introduction

Thank you for purchasing a Toro product.

All of us at Toro want you to be completely satisfied with your new product, so feel free to contact your local Authorized Service Dealer for help with service, genuine replacement parts, or other information you may require.

Whenever you contact your Authorized Service Dealer or the factory, always know the model and serial numbers of your product. These numbers will help the Service Dealer or Service Representative provide exact information about your specific product. You will find the model and serial number plate located in a unique place on the product as shown below.



1. Model and Serial Number Plate

For your convenience, write the product model and serial numbers in the space below.

<b>Model No:</b> _____
<b>Serial No.</b> _____

Read this manual carefully to learn how to operate and maintain your product correctly. Reading this manual will help you and others avoid personal injury and damage to the product. Although we design, produce and market safe, state-of-the-art products, you are responsible for using the product properly and safely. You are also responsible for training persons, who you allow to use the product, about safe operation.

The warning system in this manual identifies potential hazards and has special safety messages that help you and others avoid personal injury, even death. **DANGER**, **WARNING** and **CAUTION** are signal words used to identify the level of hazard. However, regardless of the hazard, be extremely careful.

**DANGER** signals an extreme hazard that will cause serious injury or death if the recommended precautions are not followed.

**WARNING** signals a hazard that may cause serious injury or death if the recommended precautions are not followed.

**CAUTION** signals a hazard that may cause minor or moderate injury if the recommended precautions are not followed.

Two other words are also used to highlight information. “Important” calls attention to special mechanical information and “Note” emphasizes general information worthy of special attention.

The left and right side of the machine is determined by sitting on the seat in the normal operator’s position.

<b>!</b>	<b>WARNING:</b>	<b>!</b>
<b>The engine exhaust from this product contains chemicals known to the State of California to cause cancer, birth defects, or other reproductive harm.</b>		


# Contents

	Page		Page
Safety .....	2	Driving Forward or Backward .....	17
Safe Operating Practices .....	2	Stopping the Machine .....	18
Slope Chart .....	5	Positioning the Seat .....	18
Safety and Instruction Decals .....	6	Pushing the Machine by Hand .....	19
Gasoline and Oil .....	7	Maintenance .....	20
Recommended Gasoline .....	7	Service Interval Chart .....	20
Stabilizer/Conditioner .....	7	Air Cleaner .....	21
Filling the Fuel Tank .....	7	Engine Oil .....	23
Check Engine Oil Level .....	7	Spark Plug .....	25
Assembly .....	8	Greasing and Lubrication .....	26
Loose Parts .....	8	Cleaning the Cooling Systems .....	27
Install Castor Wheel .....	9	Tire Pressure .....	27
Activate the Battery .....	9	Fuel Filter .....	28
Install Battery .....	10	Fuel Tank .....	28
Install Drive Shaft .....	11	Hydraulic System .....	29
Remove Drive Shaft .....	11	Adjusting Motion Controls .....	31
Operation .....	12	Adjusting Mowing Speed Reference Position .....	32
Think Safety First .....	12	Replacing Power Take Off (PTO) Belts ...	33
Controls .....	12	Replacing the Traction Belt .....	34
Parking Brake .....	13	Fuse .....	34
Starting and Stopping Engine .....	14	Battery .....	35
Operating Power Take Off (PTO) .....	15	Wiring Diagram .....	36
The Safety Interlock System .....	16	Hydraulic Diagram .....	37
Instruments .....	16	Cleaning and Storage .....	38
		Troubleshooting .....	39

**THE ENCLOSED ENGINE OWNER'S MANUAL IS SUPPLIED FOR CALIFORNIA EMISSION CONTROL REGULATION INFORMATION ON EMISSION SYSTEMS, MAINTENANCE AND WARRANTY.**


**KEEP THIS ENGINE OWNER'S MANUAL WITH YOUR UNIT. SHOULD THIS ENGINE OWNER'S MANUAL BECOME DAMAGED OR ILLEGIBLE, REPLACE IMMEDIATELY. REPLACEMENTS MAY BE ORDERED THROUGH THE ENGINE MANUFACTURER.**

# Safety

Improper use or maintenance by the operator or owner can result in injury. To reduce the potential for injury, comply with these safety instructions and always pay attention to the safety alert  symbol, which means CAUTION, WARNING, or DANGER—“personal safety instruction.” Failure to comply with the instruction may result in personal injury or death.

## Safe Operating Practices

This product is capable of amputating hands and feet and throwing objects. Always follow all safety instructions to avoid serious injury or death.

 **WARNING**

**POTENTIAL HAZARD**

- Engine exhaust contains carbon monoxide, which is an odorless, deadly poison.

**WHAT CAN HAPPEN**

- Carbon monoxide can kill you and is also known to the State of California to cause birth defects.

**HOW TO AVOID THE HAZARD**

- Do not run engine indoors or in an enclosed area.

This product is designed for cutting and recycling grass or, when equipped with a grass bagger, for catching cut grass. Any use for purposes other than these could prove dangerous to user and bystanders.

**Note:** This engine is NOT equipped with a spark arrestor muffler. Use or operation of this mower in the State of California on any forest-covered or unimproved grass-covered land, without an approved spark arrestor muffler, is a violation of the law. Other states may have similar laws.

## General Operation

1. Read, understand, and follow all instructions in the operator’s manual and on the machine before starting.
2. Allow only responsible adults who are familiar with the instructions to operate the machine.
3. Clear the area of objects such as rocks, toys, wire, etc., which could be picked up and thrown by the blade.
4. Be sure the area is clear of other people before mowing. Stop the machine if anyone enters the area.
5. Never carry passengers.
6. Do not mow in reverse unless absolutely necessary. Always look down and behind before and while backing.
7. Be aware of the mower discharge direction and do not point it at anyone. Do not operate the mower without either the entire grass catcher or the guard in place.
8. Slow down before turning. Sharp turns on any terrain may cause loss of control.
9. Never leave a running machine unattended. Always turn off blades, set parking brake, stop engine, and remove key before dismounting.
10. Turn off blades when not mowing.
11. Keep hands, feet, hair and loose clothing away from attachment discharge area, underside of mower and any moving parts while engine is running.
12. Stop the engine before removing the grass catcher or unclogging the chute.
13. Mow only in daylight or good artificial light.

14. Do not operate the machine while under the influence of alcohol or drugs.
15. Watch for traffic when operating near or crossing roadways.
16. Use extra care when loading or unloading the machine onto a trailer or truck.
17. Do not touch equipment or attachment parts which may be hot from operation. Allow to cool before attempting to maintain, adjust or service.
18. Wear seat belt when operating a machine with ROPS (roll over protection).
19. Wear ear protection when operating this machine.

## Slope Operation

Slopes are a major factor related to loss-of-control and tip-over accidents, which can result in severe injury or death. All slopes require extra caution. If you cannot back up the slope or if you feel uneasy on it, do not mow it.

### DO

- Mow up and down slopes greater than 5°, not across.
- Mow downhill only on slopes less than 10°, Mow uphill only on slopes less than 15°
- Remove obstacles such as rocks, tree limbs, etc. from the mowing area. Watch for holes, ruts or bumps, as uneven terrain could overturn the machine. Tall grass can hide obstacles.
- Use slow speed. Choose a low gear so that you will not have to stop or shift while on the slope.
- Follow the manufacturer's recommendations for wheel weight or counterweights to improve stability.
- Use extra care with grass catchers or other attachments. These can change the stability of the machine.

- Keep all movement on slopes slow and gradual. Do not make sudden changes in speed or direction.
- Avoid starting or stopping on a slope. If tires lose traction, disengage the blades and proceed slowly straight down the slope.
- When operating machine on slopes, banks or near drop offs, always have ROPS (roll over protection) installed.
- When operating a machine with ROPS (roll over protection) always use seat belt.
- Be certain that the seat belt can be released quickly if the machine is driven or rolls into ponds of water.
- Check carefully for overhead clearances (i.e. branches, doorways, electrical wires) before driving under any objects and do not contact them.

### DO NOT

- Do not operate machine on hillsides or slopes exceeding 15°.
- Avoid turning on slopes. If you must turn, turn slowly and gradually downhill, if possible.
- Do not mow near drop-offs, ditches, or embankments. The machine could suddenly turn over if a wheel goes over the edge of a cliff or ditch, or if an edge caves in.
- Do not mow on wet grass. Reduced traction could cause sliding.
- Do not try to stabilize the machine by putting your foot on the ground.
- Do not use a grass catcher on steep slopes. Heavy grass bags could cause loss of control or overturn the machine.

## Children

Tragic accidents can occur if the operator is not alert to the presence of children. Children are often attracted to the machine and the mowing activity. Never assume that children will remain where you last saw them. The following requirements must be followed to prevent injury to children.

1. Keep children out of the mowing area and under the watchful care of another responsible adult.
2. Be alert and turn the machine off if children enter the area.
3. Before and while backing, look behind and down for small children.
4. Never carry children. They may fall off and be seriously injured or interfere with safe machine operation.
5. Never allow children to operate the machine.
6. Use extra care when approaching blind corners, shrubs, trees, the end of a fence or other objects that may obscure vision.

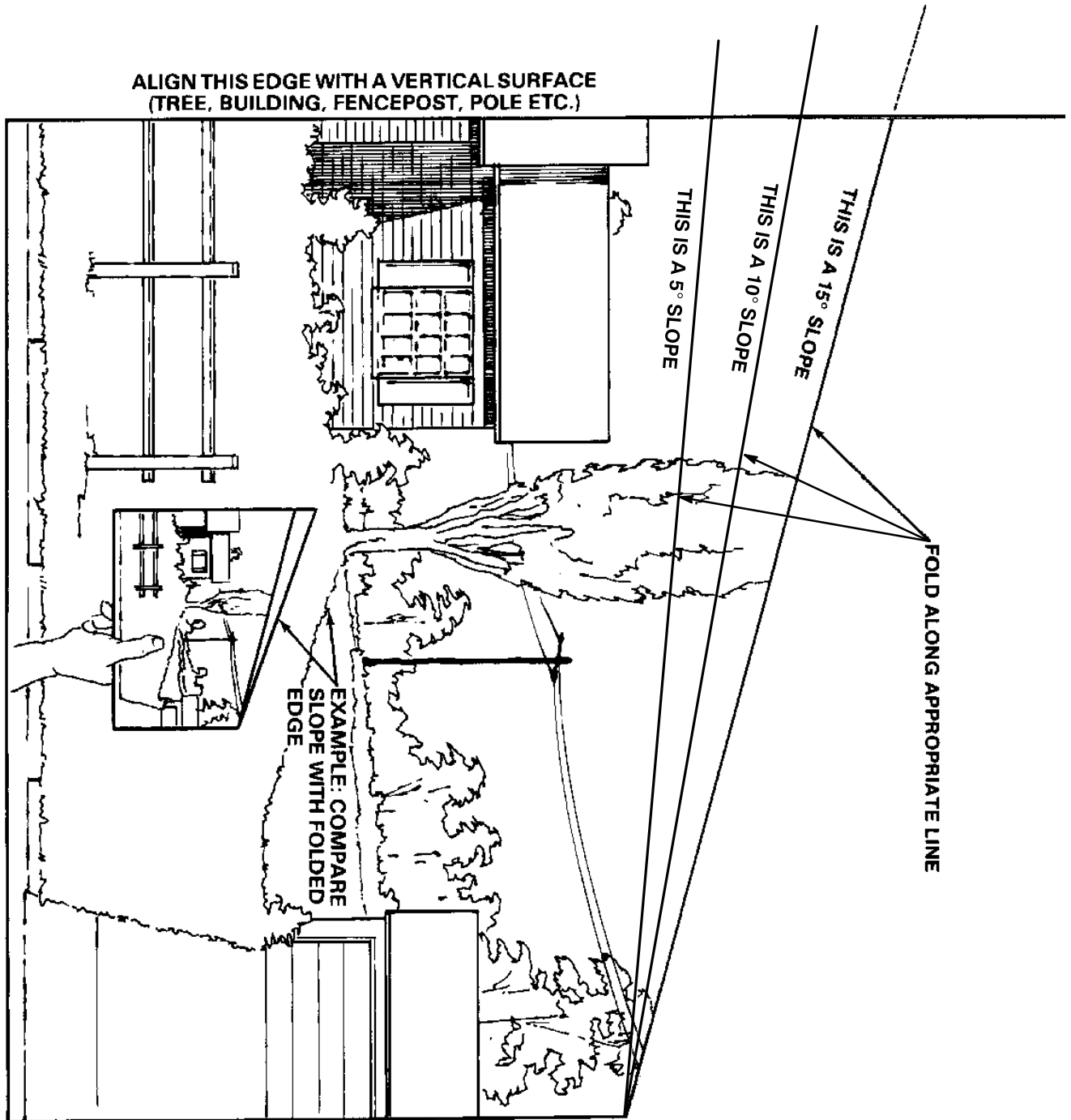
## Service

1. Stop the engine and disconnect spark plug wire(s) before performing any service, repairs, maintenance or adjustments.
2. Use extra care when handling gasoline and other fuels. They are flammable and vapors are explosive.
  - A. Use only an approved container.
  - B. Never remove the gas cap or add fuel when the engine is running. Allow the engine to cool before refueling. Do not smoke.
  - C. Never refuel the machine indoors.
  - D. Never store the machine or fuel container inside where there is an open flame, such as near a water heater or furnace.
3. Never run a machine inside a closed area.

4. Keep nuts and bolts tight, especially the blade attachment bolts. Keep equipment in good condition.
5. Never tamper with safety devices. Check safety systems for proper operation before each use.
6. Keep the machine free of grass, leaves, or other debris build-up. Clean up oil or fuel spillage. Allow the machine to cool before storing.
7. Stop and inspect the equipment if you strike an object. Repair, if necessary, before restarting.
8. Grass catcher components are subject to wear, damage and deterioration, which could expose moving parts or allow objects to be thrown. Frequently check components and replace with manufacturer's recommended parts, when necessary.
9. Mower blades are sharp and can cut. Wrap the blade(s) or wear gloves, and use extra caution when servicing them.
10. Use only genuine replacement parts to ensure that original standards are maintained.
11. Check brake operation frequently. Adjust and service as required.
12. Battery acid is poisonous and can cause burns. Avoid contact with skin, eyes and clothing. Protect your face, eyes and clothing when working with a battery.
13. Battery gases can explode. Keep cigarettes, sparks and flames away from battery.
14. Hydraulic fluid escaping under pressure can penetrate the skin and cause injury. Use cardboard or paper to find hydraulic leaks.
15. Never modify ROPS (roll over protection) frames or structures because they are specifically designed, sized, located and tested for injury reduction. If a rollover occurs, a modified ROPS will not provide adequate protection.

# Slope Chart

Read all safety instructions on pages 2-4.

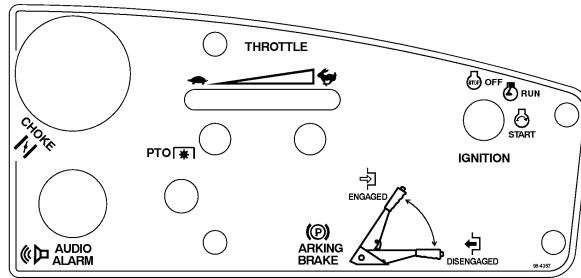


## Safety and Instruction Decals



Safety decals and instructions are easily visible to the operator and are located near any area of potential danger. Replace any decal that is damaged or lost.

**ON INSTRUMENT PANEL  
(Part No. 98-4357)**



**BELOW FRONT OF SEAT  
(Part No. 98-1313)**



**BELOW FRONT OF SEAT  
(Part No. 98-4387)**



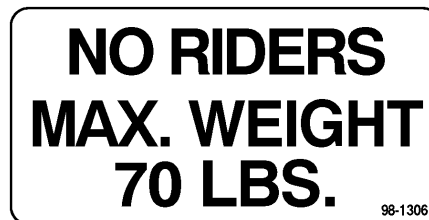
**ON FRONT FRAME MEMBER  
(Part No. 98-4361)**



**ON REAR FRAME MEMBER  
AND CLUTCH GUARD  
(Part No. 93-9198)**



**ON UTILITY BOX LATCH  
(Part No. 98-1306)**



# Gasoline and Oil

## Recommended Gasoline

Use UNLEADED Regular Gasoline suitable for automotive use (85 pump octane minimum). Leaded regular gasoline may be used if unleaded regular is not available.

**IMPORTANT:** Never use methanol, gasoline containing methanol, or gasohol containing more than 10% ethanol because the fuel system could be damaged. Do not mix oil with gasoline.

### DANGER

#### POTENTIAL HAZARD

- In certain conditions gasoline is extremely flammable and highly explosive.

#### WHAT CAN HAPPEN

- A fire or explosion from gasoline can burn you, others, and cause property damage.

#### HOW TO AVOID THE HAZARD

- Use a funnel and fill the fuel tank outdoors, in an open area, when the engine is cold. Wipe up any gasoline that spills.
- Do not fill the fuel tank completely full. Add gasoline to the fuel tank until the level is 1/4" to 1/2" (6 mm to 13 mm) below the bottom of the filler neck. This empty space in the tank allows gasoline to expand.
- Never smoke when handling gasoline, and stay away from an open flame or where gasoline fumes may be ignited by a spark.
- Store gasoline in an approved container and keep it out of the reach of children. Never buy more than a 30-day supply of gasoline.

## Stabilizer/Conditioner

Add the correct amount of gas stabilizer/conditioner to the gas. Using a stabilizer/conditioner in the machine:

- Keeps gasoline fresh during storage
- Cleans the engine while it runs
- Eliminates gum-like buildup in the fuel system, which causes hard starting

**IMPORTANT:** Never use fuel additives containing methanol or ethanol.

## Filling the Fuel Tank

1. Shut the engine off and set the parking brake.
2. Clean around the fuel tank cap and remove the cap. Add unleaded regular gasoline until the level is to the bottom of the filler neck. Do not fill the neck completely full, this space in the tank allows gasoline to expand.
3. Install fuel tank cap securely. Wipe up any gasoline that may have spilled.

## Check Engine Oil Level

Before you start the engine and use the machine, check the oil level in the engine crankcase; refer to Checking Oil Level, page 23.

# Assembly

## Loose Parts

**Note:** Use the chart below to verify all parts have been shipped.

DESCRIPTION	QTY.	USE
Wheel assembly–castor	1	Install castor wheel
Spacer	1	
Washer 3/4" (19 mm)	2	
Axle bolt 1/2-13 x 9" (230 mm)	1	
Washer 1/2" (13 mm)	2	
Locknut 1/2–13	1	
Battery	1	Install battery
Battery clamp	1	
Battery support rod	2	
Wing nut 1/4–20	4	
Terminal boot	1	
Bolt 1/4–20 x 3/4" (19 mm)	2	
Washer 1/4"	2	
Drive Shaft	1	Install drive shaft to mower gearbox
Roll Pin 3/16 x 2" (51 mm)	1	
Bolt 3/8"–16 x 1–5/8" (41.5 MM)	2	
Locknut 3/8"–16	2	
Pivot pin assembly	2	Install mower attachment
Hairpin cotter	2	
Key	2	Read before operating machine
Safety Booklet	1	
Operator's Manual	1	
Engine Operator's Manual	1	For ordering parts
Parts Catalog	1	
Registration card	1	Fill out and return to Toro

## Install Castor Wheel

1. Remove locknut, washers and axle bolt from fork (Fig. 1).
2. Jack up rear of unit until castor fork is clear of skid.
3. Check for spacer inside wheel hub, place 3/4" (19 mm) washers outside spacer and align wheel between forks (Fig. 1).
4. Secure wheel with (2) 1/2" (13 mm) washers, 1/2-13 x 9" (230 mm) axle bolt and 1/2-13 locknut.
5. Torque nut to 75 ft-lb (55 N·m).
6. Grease castor wheel bearings (Fig. 1).

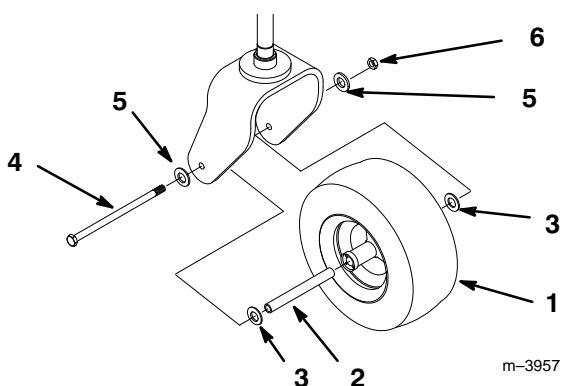


Figure 1

- |                        |                                   |
|------------------------|-----------------------------------|
| 1. Wheel assembly      | 4. Axle bolt 1/2-13 x 9" (230 mm) |
| 2. Spacer              | 5. Washer 1/2" (13 mm)            |
| 3. Washer 3/4" (19 mm) | 6. Locknut 1/2-13                 |

Check the air pressure in the front and rear tires: refer to Tire Pressure in Maintenance section.

## Activate the Battery

Bulk electrolyte with 1.260 specific gravity must be purchased from a local battery supply outlet.

1. Remove the battery from the machine.

**IMPORTANT:** Be careful not to damage the long vent tube when removing the battery box.

### DANGER

#### POTENTIAL HAZARD

- Battery electrolyte contains sulfuric acid which is a deadly poison and it causes severe burns.

#### WHAT CAN HAPPEN

- If you carelessly drink electrolyte you could die or if it gets onto your skin you will be burned.

#### HOW TO AVOID THE HAZARD

- Do not drink electrolyte and avoid contact with skin, eyes or clothing. Wear safety glasses to shield your eyes and rubber gloves to protect your hands.
- Fill the battery where clean water is always available for flushing the skin.
- Follow all instructions and comply with all safety messages on the electrolyte container.

2. Remove filler caps from the battery. Slowly pour electrolyte into each cell until the electrolyte level is up to the lower part of the tube (Fig. 2).

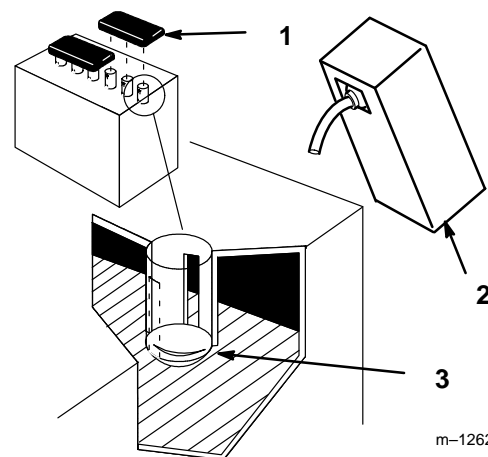


Figure 2

- |                |                           |
|----------------|---------------------------|
| 1. Filler caps | 3. Lower part of the tube |
| 2. Electrolyte |                           |

3. Leave the covers off and connect a 3 to 4 amp battery charger to the battery posts (Fig. 3). Charge the battery at a rate of 4 amperes or less for 4 hours (12 volts).

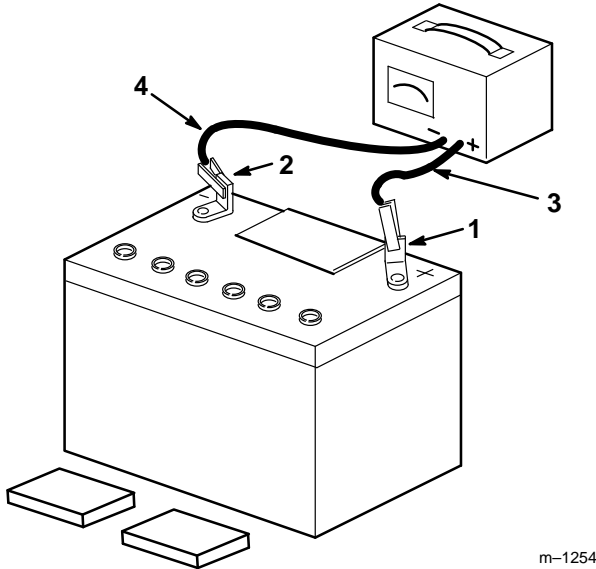


Figure 3

- |                  |                           |
|------------------|---------------------------|
| 1. Positive post | 3. Charger red (+) wire   |
| 2. Negative post | 4. Charger black (-) wire |

**⚠ WARNING**

**POTENTIAL HAZARD**

- Charging battery produces gasses.

**WHAT CAN HAPPEN**

- Battery gasses can explode.

**HOW TO AVOID THE HAZARD**

- Keep cigarettes, sparks and flames away from battery.

4. When the battery is fully charged, disconnect the charger from the electrical outlet then from the negative and positive battery posts (Fig. 3).
5. Slowly pour electrolyte into each cell until the level is once again up to the “UPPER” line on the battery case (Fig. 2) and install covers.

## Install Battery

1. Fill battery with electrolyte and charge, refer to BATTERY, page 35.
2. Position battery in tray with terminal posts toward the engine (Fig. 4).
3. Slide the red terminal boot onto the red battery cable.
4. Install the positive (red) battery cable to positive (+) battery terminal then negative battery cable to the negative (-) battery terminal. Secure cables with (2) 1/4 x 3/4” (19 mm) bolts 1/4” washers, 1/4” lock washers and 1/4” locknuts.

**IMPORTANT: Route cables so they do not contact metal edges or frame members.**

5. Secure battery with (2) support rods, a battery clamp and (2) 1/4” wing nuts. Position support rods in mounting holes (Fig. 4). Tighten wing nuts so battery is held securely in position and will not slide. **DO NOT OVERTIGHTEN.**

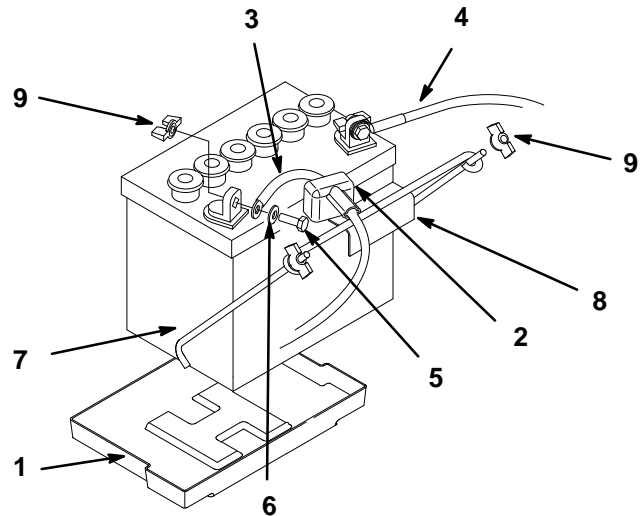


Figure 4

- |                               |                        |
|-------------------------------|------------------------|
| 1. Battery tray               | 6. Washer 1/4”         |
| 2. Terminal boot              | 7. Battery support rod |
| 3. Positive battery cable     | 8. Battery clamp       |
| 4. Negative battery cable     | 9. Wing nut 1/4”       |
| 5. Bolt 1/4–20 x 3/4” (19 mm) |                        |

## Install Drive Shaft

Install the drive shaft only when ready to attach a mower deck to the traction unit.

1. Secure universal joint to gearbox shaft with (2) 3/8"-16 x 1-5/8" (41.5 mm) bolts and 3/8"-16 locknuts (Fig. 5).

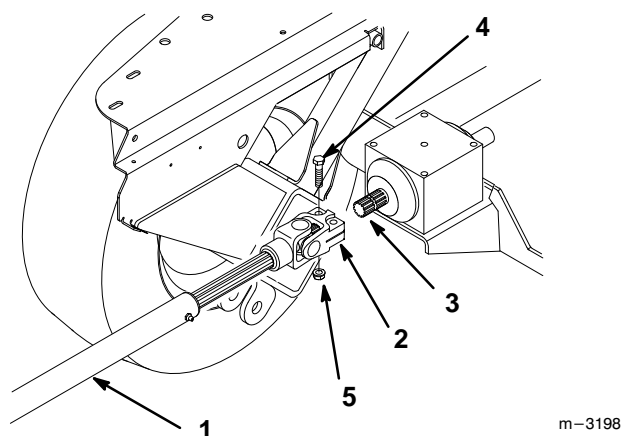


Figure 5

- |                    |                                    |
|--------------------|------------------------------------|
| 1. PTO Driveshaft  | 4. Bolt 3/8"-16 x 1-5/8" (41.5 mm) |
| 2. Universal Joint | 5. Locknut 3/8"-16                 |
| 3. Gearbox shaft   |                                    |

2. Grease the fittings on drive shaft and universal joints (Fig. 6).
3. Temporarily install the roll pin 3/16" x 2" part-way into the hole in the end of the unconnected universal joint to store it until a mower deck is installed (Fig. 6).

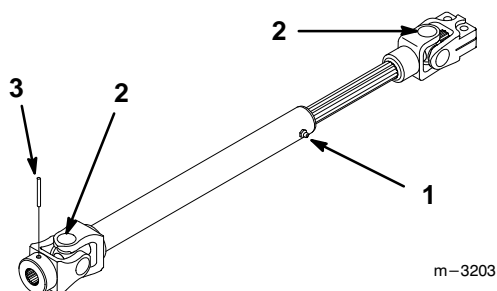


Figure 6

- |                    |                                |
|--------------------|--------------------------------|
| 1. PTO Driveshaft  | 3. Roll Pin 3/16" x 2" (51 mm) |
| 2. Universal Joint |                                |

## Remove Drive Shaft

### WARNING

#### POTENTIAL HAZARD

- If the drive shaft is attached to the tractor and not to a mower deck or other attachment, and the tractor is operated, the drive shaft may flail about dangerously.

#### WHAT CAN HAPPEN

- If the drive shaft is connected only to the tractor when the PTO is engaged, the shaft will flail about and can seriously injure you or bystanders.

#### HOW TO AVOID THE HAZARD

- Remove the drive shaft from the tractor when not using it with an attachment.

1. Remove (2) 3/8"-16 x 1-5/8" (41.5 mm) bolts and 3/8"-16 locknuts from universal joint and slide the driveshaft off gearbox shaft (Fig. 5).

**Note:** Save all hardware for use when installing mower.

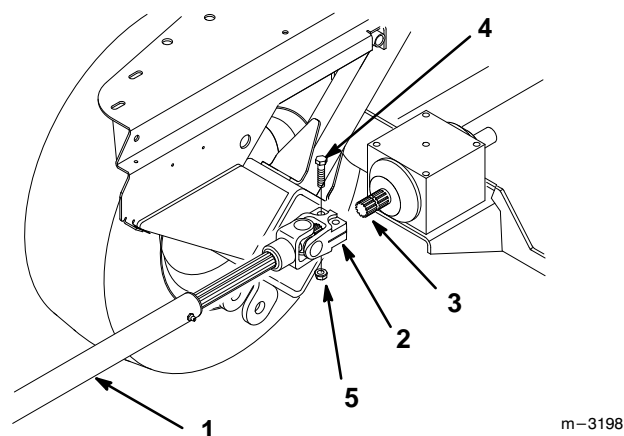


Figure 7

- |                    |                                    |
|--------------------|------------------------------------|
| 1. PTO Driveshaft  | 4. Bolt 3/8"-16 x 1-5/8" (41.5 MM) |
| 2. Universal Joint | 5. Locknut 3/8"-16                 |
| 3. Gearbox shaft   |                                    |

# Operation

## Think Safety First

Please carefully read all the safety instructions on pages 2–8. Knowing this information could help you, your family, pets or bystanders avoid injury.

### CAUTION

#### POTENTIAL HAZARD

- Loud sounds can cause ear damage and loss of hearing.

#### WHAT CAN HAPPEN

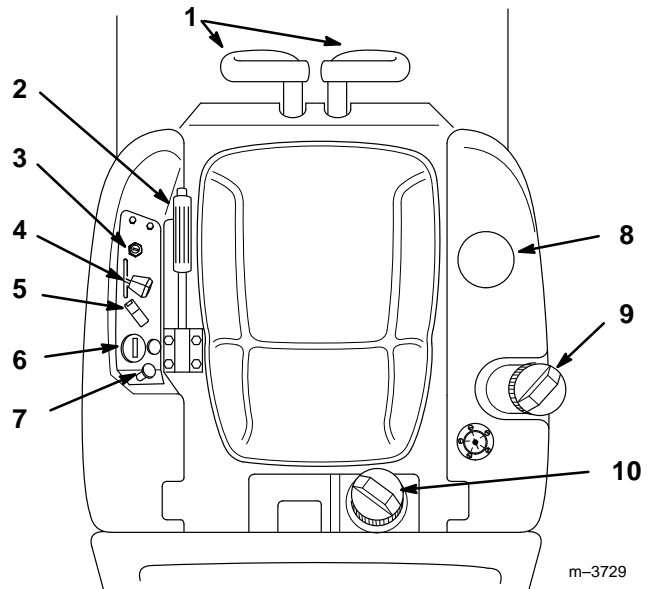
- Ear damage or hearing loss may occur.

#### HOW TO AVOID THE HAZARD

- Wear ear protection when operating this machine.

## Controls

Become familiar with all the controls (Fig. 1) before you start the engine and operate the machine.



**Figure 1**

- |                         |                         |
|-------------------------|-------------------------|
| 1. Motion control lever | 6. Hourmeter            |
| 2. Parking brake        | 7. Choke                |
| 3. Ignition switch      | 8. Drink holder         |
| 4. Throttle             | 9. Fuel cap             |
| 5. Power take off (PTO) | 10. Hydro reservoir cap |

## Parking Brake

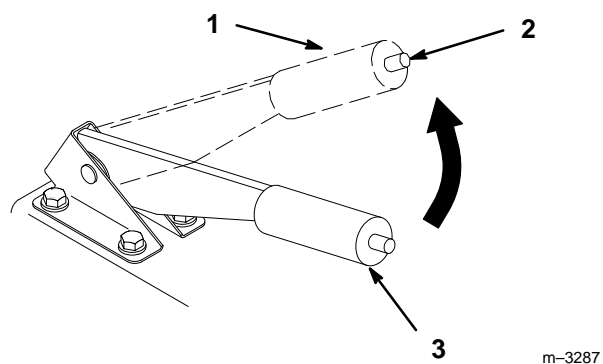
Always set the parking brake when you stop the machine or leave it unattended.

### Setting the Parking Brake

1. Move the motion control levers to neutral (Fig. 1).
2. Pull up on the parking brake lever to set the parking brake (Fig. 2). The parking brake lever should stay firmly in the “SET” position.

### Releasing the Parking Brake

1. Push in on the button and lower parking brake lever to “OFF” (Fig. 2).



**Figure 2**

- |                      |                      |
|----------------------|----------------------|
| 1. Parking brake-SET | 3. Parking brake-OFF |
| 2. Button            |                      |

## Starting and Stopping Engine

### Starting

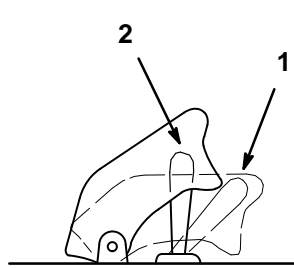
1. Sit down on the seat and set the parking brake; refer to Setting the Parking Brake, page 13.
2. Move the motion control levers to neutral.
3. Move the PTO (power take off) to “OFF” (Fig. 3).
4. Move the throttle control midway between “SLOW” and “FAST” positions before starting a cold engine.
5. Move the choke control to “ON” position before starting a cold engine.
 

**Note:** A warm or hot engine may require choking. After engine starts, move choke control to “OFF” position.
6. Turn ignition key to “START” to energize starter. When engines starts, release key.
 

**Note:** If starter does not crank, move the motion control levers slightly to locate neutral.

**IMPORTANT: Do not engage starter for more than 10 seconds at a time. If engine fails to start allow 30 second cool-down period between attempts. Failure to follow these instructions can burn out starter motor.**

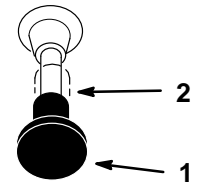
7. After the engine starts, gradually move the choke to “OFF” (Fig. 4). If the engine stalls or hesitates, move the choke back to “ON” for a few seconds. Then move the throttle lever to desired setting. Repeat this as required.



m-2721

**Figure 3**

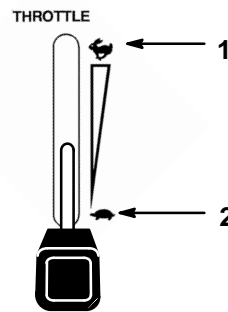
1. PTO-Off
2. PTO-On



m-2719

**Figure 4**

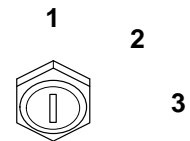
1. Choke-On
2. Choke-Off



m-

**Figure 5**

1. Fast
2. Slow



m-2718

**Figure 6**

1. Off
2. Run
3. Start

## Stopping

1. Move the throttle lever to “SLOW” (Fig. 5).
2. Set the parking brake.
3. Turn the ignition key to “OFF” (Fig. 6).

**Note:** If the engine has been working hard or is hot, let it idle for a minute before turning the ignition key “OFF.” This helps cool the engine before it is stopped. In an emergency, the engine may be stopped by turning the ignition key to “OFF.”

4. Pull wire off spark plug(s) to prevent possibility of accidental starting before transporting or storing machine.
5. Close fuel shut off valve, under fuel tank before transporting or storing machine.

**IMPORTANT:** Make sure fuel shut off valve is closed before transporting or storing machine, as fuel leakage may occur.

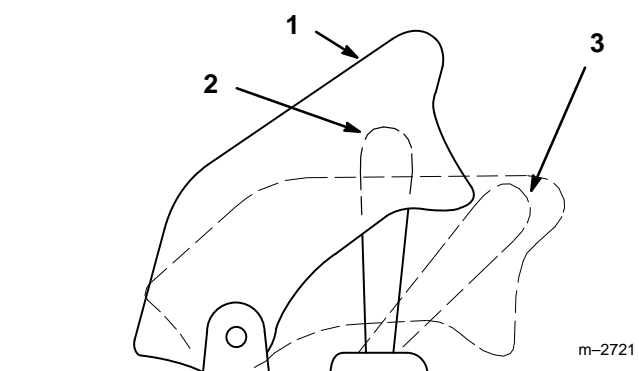
## Operating Power Take Off (PTO)

The power take off (PTO) switch engages and disengages power to the attachment clutch.

### Engaging the Power Take Off (PTO)

1. Move motion control levers to neutral to stop the machine.
2. Raise the cover and move the power take off (PTO) switch to the “ON” position to engage (Fig. 7).

**Note:** To prevent engine stalling, from heavy load, move throttle above 3/4 “FAST” position.



**Figure 7**

- |               |                   |
|---------------|-------------------|
| 1. Cover      | 3. OFF-Disengaged |
| 2. ON-Engaged |                   |

### Disengaging the Power Take Off (PTO)

1. Move motion control levers to neutral to stop the machine.
2. Lower the cover of the power take off (PTO) switch. This moves the switch to the “OFF” position to disengage (Fig. 7).

## The Safety Interlock System

### Understanding the Safety Interlock System

The safety interlock system is designed to prevent the engine from starting unless:

- The parking brake is “SET”
- The power take off (PTO) is disengaged “OFF”
- The motion control levers are in neutral

The safety interlock system also is designed to stop the engine when the motion control levers are moved out of neutral with the parking brake on “SET” or if you rise from the seat when the power take off (PTO) is “ON” position or the motion control levers are not in neutral.

### Testing the Safety Interlock System

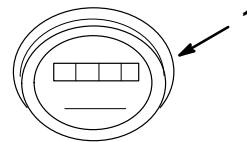
Test the safety interlock system before you use the machine each time. If the safety system does not operate as described below, have an Authorized Service Dealer repair the safety system immediately.

1. “SET” the parking brake and move power take off (PTO) to “ON”. Try starting the engine; the engine should not crank.
2. “SET” the parking brake and move power take off (PTO) to “OFF”. Move one then the other motion control lever forward or reverse. Try starting the engine; the engine should not crank.
3. “SET” the parking brake, move power take off (PTO) to “OFF” and hold the motion control levers in neutral. Now start the engine. While the engine is running engage the power take off (PTO) and rise slightly from the seat; the engine should stop.
4. “SET” the parking brake, move power take off (PTO) to “OFF” and hold the motion control levers in neutral. Now start the engine. While the engine is running, move the motion control levers forward or reverse; the engine should stop.

## Instruments

### Hour Meter

The hour meter records the number of hours the engine has operated. It operates when the engine is running. Use these times for scheduling regular maintenance.



m-2717

**Figure 8**

1. Hour meter
-

## Driving Forward or Backward

The throttle control regulates the engine speed as measured in rpm (revolutions per minute). Place the throttle control in the “FAST” position for best attachment performance. Always operate in the full throttle position when operating attachments.

### Forward

1. Release the parking brake; refer to Setting the Parking Brake, page 13.
2. To go forward, slowly push the motion control levers forward (Fig. 9).

**Note:** Engine will kill if motion control levers are moved with parking brake engaged.

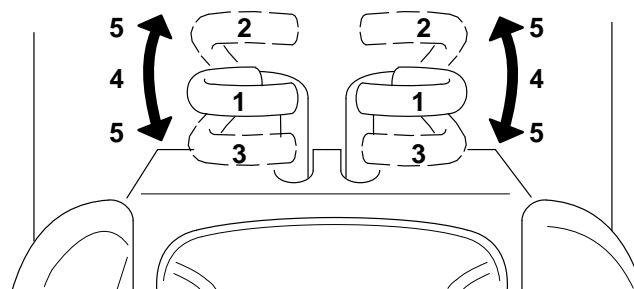
To go straight, move both motion control levers the same distance (Fig. 9).

To turn move the motion control lever to neutral, on the side you want to turn toward (Fig. 9).

The farther you move the motion control levers in either direction, the faster the machine will move in that direction.

**Note:** The mowing speed reference position can be felt as extra spring force when pushing motion controls forward. Motion control levers return to this pre-set position, approximately 5 mph, when forward pressure is reduced. Below the pre-set speed the motion control levers remain in their placed location. For adjusting reference speed refer to; Adjusting Mowing Speed Reference Position page 32.

To slow or stop move the motion control levers to neutral.



m-3288

**Figure 9**

- |  |             |
|--|-------------|
| 1. Motion control lever-neutral position | 3. Backward |
| 2. Forward                               | 4. Slow     |
|  | 5. Fast     |

## Backward

1. Release the parking brake; refer to Setting the Parking Brake, page 13.
2. To go backward, slowly pull the motion control levers rearward (Fig. 9).

To go straight, move both motion control levers the same distance (Fig. 9).

To turn move the motion control lever to neutral, on the side you want to turn toward (Fig. 9).

To slow or stop move the motion control levers to neutral.

## Stopping the Machine

To stop the machine, move the motion control levers to neutral, disengage the power take off (PTO), and turn the ignition key to “OFF” to stop the engine. Also set the parking brake when you leave the machine; refer to Setting the Parking Brake, page 13. Remember to remove the key from the ignition switch.

### CAUTION

#### POTENTIAL HAZARD

- Someone could move or attempt to operate the tractor while it is unattended.

#### WHAT CAN HAPPEN

- Children or bystanders may be injured if they use the tractor.

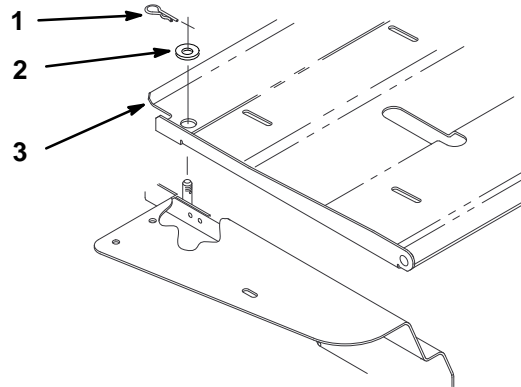
#### HOW TO AVOID THE HAZARD

- Always remove the ignition key and set the parking brake when leaving the machine, even if just for a few minutes.

## Positioning the Seat

The seat can move forward and backward. Position the seat where you have the best control of the machine and are most comfortable.

1. To adjust, remove hairpin cotter and washer, holding seat base down, and tip seat forward (Fig. 10).

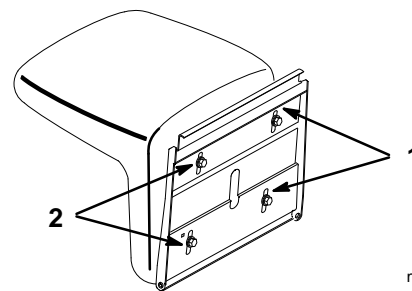


m-3728

**Figure 10**

- |                   |              |
|-------------------|--------------|
| 1. Hairpin cotter | 3. Seat base |
| 2. Washer         |              |

2. Loosen the seat mounting bolts slide seat to the desired position in the adjusting slots and tighten the mounting bolts (Fig. 11).
3. Lower seat and secure with washer and hairpin cotter (Fig. 10).



m-3280

**Figure 11**

- |                    |
|--------------------|
| 1. Adjustment slot |
| 2. Mounting bolt   |

## Pushing the Machine by Hand

**IMPORTANT:** Always push the machine by hand. Never tow the machine because hydraulic damage may occur.

### To Push the Machine

1. Disengage the power take off (PTO) and turn the ignition key to “OFF” to stop the engine.
2. Rotate pump by-pass valves counterclockwise 2 turns to push. This allows hydraulic fluid to by-pass the pump enabling the wheels to turn (Fig. 12).

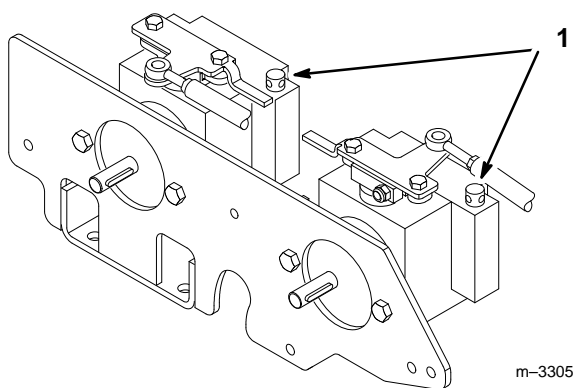
**IMPORTANT:** Rotate by-pass valve a maximum of 2 turns so the valve does not come out of the body causing fluid to run out.

3. Release the parking brake.

### To Operate the Machine

1. Turn the by-pass valves in to operate (Fig. 12).

**Note:** The machine will not drive unless by-pass valves are turned in.



**Figure 12**

1. By-pass valve

# Maintenance

## Service Interval Chart

Service Operation	Each Use	8 Hours	25 Hours	50 Hours	100 Hours	200 Hours	Storage Service
Hydraulic fluid—check level	Initial	X					X
Oil—check level	X						X
Oil—change*					X		X
Oil Filter—change (200 hours or every other oil change)						X	X
Hydraulic filter—change		Initial				X	X
Safety System—check	X						X
Chassis—grease*		X					X
Drive Shaft—grease*		X					X
PTO Gearbox—check level (change every 500 hours or six months)				X			X
Foam Air Cleaner—service*			X				X
Paper Air Cleaner—replace*					X		X
Spark Plug(s)—check						X	X
Belts—check for wear/cracks				X			X
Gasoline—drain							X
Cooling systems—clean	X				X		X
Hydraulic lines—check					X		X
Battery—check electrolyte		X					X
Battery—charge, Disconnect cables							X
Fuel Filter—replace						X	X
Tires—check pressure				X			X
Chipped Surfaces—paint							X
* More often in dusty, dirty conditions							

## ! CAUTION

### POTENTIAL HAZARD

- If you leave the key in the ignition switch, someone could start the engine.

### WHAT CAN HAPPEN

- Accidental starting of the engine could seriously injure you or other bystanders.

### HOW TO AVOID THE HAZARD

- Remove the key from the ignition switch and pull the wire(s) off the spark plug(s) before you do any maintenance. Also push the wire(s) aside so it does not accidentally contact the spark plug(s).

## Air Cleaner

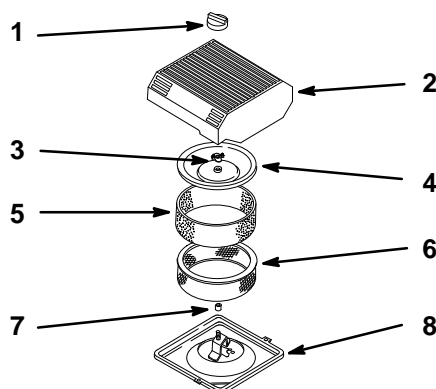
Foam Element: Clean and re-oil after every 25 operating hours.

Paper Element: Replace after every 100 operating hours.

**Note:** Service the air cleaner more frequently (every few hours) if operating conditions are extremely dusty or sandy.

### Removing the Foam and Paper Elements

1. Disengage the power take off (PTO), set the parking brake, and turn the ignition key to "OFF" to stop the engine. Remove the key.
2. Clean around the air cleaner to prevent dirt from getting into the engine and causing damage. Unscrew the knob and remove the air cleaner cover (Fig. 13).



m-3214

**Figure 13**

- |                      |                     |
|----------------------|---------------------|
| 1. Knob              | 5. Foam element     |
| 2. Air cleaner cover | 6. Paper element    |
| 3. Cover nut         | 7. Rubber seal      |
| 4. Cover             | 8. Air cleaner base |

3. Carefully slide the foam element off the paper element (Fig. 13).
4. Unscrew the cover nut and remove the cover and paper element (Fig. 13).

## Cleaning the Foam and Paper Elements

### 1. Foam Element

- A. Wash the foam element in liquid soap and warm water. When the element is clean, rinse it thoroughly.
- B. Dry the element by squeezing it in a clean cloth (do not wring).
- C. Put one or two ounces of oil on the element (Fig. 14). Squeeze the element to distribute the oil.

**IMPORTANT: Replace the foam element if it is torn or worn.**

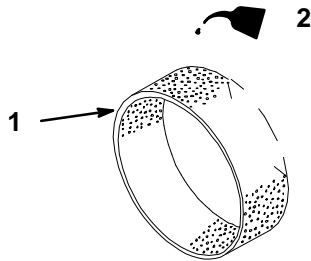


Figure 14

1. Foam element
2. Oil

### 2. Paper Element

- A. Lightly tap the element on a flat surface to remove dust and dirt (Fig. 15).
- B. Inspect the element for tears, an oily film, and damage to the rubber seal.

**IMPORTANT: Never clean the paper element with pressurized air or liquids, such as solvent, gas, or kerosene. Replace the paper element if it is damaged, defective, or cannot be cleaned thoroughly.**

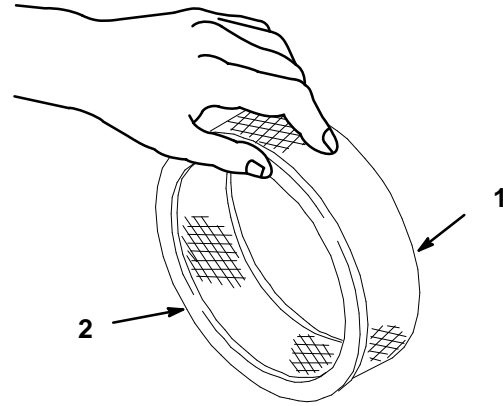


Figure 15

1. Paper element
2. Rubber seal

m-1213

## Installing the Foam and Paper Elements

### 1. Installing the Foam and Paper Elements

**IMPORTANT: To prevent engine damage, always operate the engine with the complete foam and paper air cleaner assembly installed.**

1. Carefully slide the foam element onto the paper air cleaner element (Fig. 13).
2. Place the air cleaner assembly onto the air cleaner base (Fig. 13).
3. Install the air cleaner cover and secure with cover nut (Fig. 13).



## Changing/Draining Oil

1. Start the engine and let it run five minutes. This warms the oil so it drains better.
2. Park the machine so that the drain side is slightly lower than the opposite side to assure the oil drains completely. Then disengage the power take off (PTO), set the parking brake, and turn the ignition key to "OFF" to stop the engine. Remove the key.
3. Place a pan below the oil drain. Remove the oil drain cap (Fig. 17).
4. When oil has drained completely, install the drain cap.

**Note:** Dispose of the used oil at a certified recycling center.

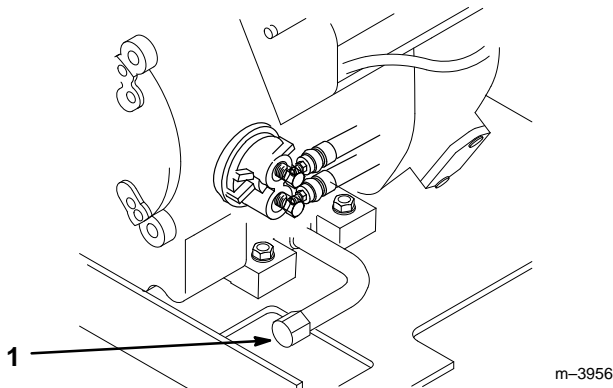


Figure 17

1. Oil drain cap

5. Slowly pour approximately 80% of the specified amount of oil specified, page 23, into the filler tube (Fig. 16). Now check the oil level; refer to Checking Oil Level, page 23. Slowly add additional oil to bring to "FULL" mark on dipstick.

## Change Oil Filter

Replace the oil filter every 200 hours or every other oil change.

**Note:** Change oil filter more frequently when operating conditions are extremely dusty or sandy.

1. Drain the oil from the engine; refer to Changing/Draining Oil, page 24.
2. Remove the old filter and wipe the filter adapter (Fig. 18) gasket surface.
3. Pour new oil of the proper type in through the center hole. Stop pouring when the oil reaches the bottom of the threads. Allow a minute or two for the oil to be absorbed by filter material.
4. Apply a thin coat of new oil to the rubber gasket on the replacement filter (Fig. 18).

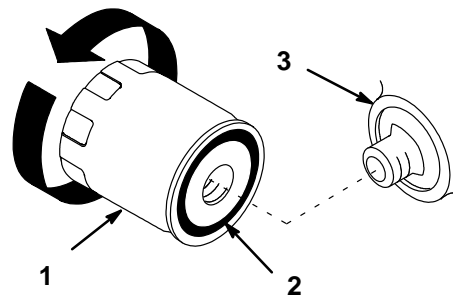


Figure 18

1. Oil filter
2. Gasket
3. Adapter

5. Install the replacement oil filter to the filter adapter. Turn the oil filter clockwise until the rubber gasket contacts the filter adapter, then tighten the filter an additional 1/2 turn (Fig. 18).
6. Fill the crankcase with the proper type of new oil; refer to Changing/Draining Oil, page 24.

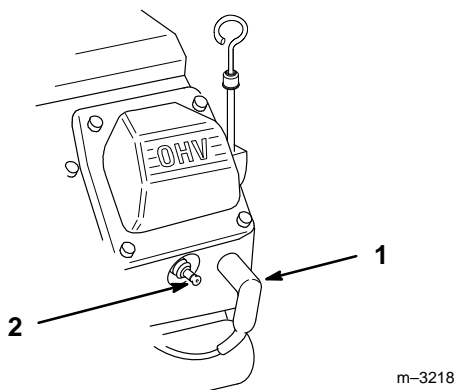
## Spark Plug

Check the spark plug(s) after every 200 operating hours. Make sure the air gap between the center and side electrodes is correct before installing the spark plug. Use a spark plug wrench for removing and installing the spark plug(s) and a gapping tool/feeler gauge to check and adjust the air gap. Install a new spark plug(s) if necessary.

Type: Champion Premium Gold 2071 (or equivalent)  
Air Gap: 0.030 in. (0.76 mm)

### Removing the Spark Plug(s)

1. Disengage the power take off (PTO), set the parking brake, and turn the ignition key to "OFF" to stop the engine. Remove the key.
2. Pull the wire(s) off the spark plug(s) (Fig. 19). Now clean around the spark plug(s) to prevent dirt from falling into the engine and potentially causing damage.
3. Remove the spark plug(s) and metal washer.



**Figure 19**

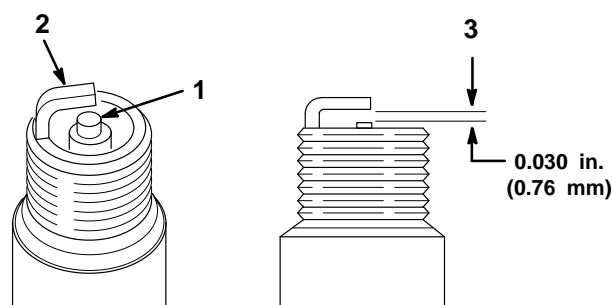
1. Spark plug wire
2. Spark plug

### Checking the Spark Plug

1. Look at the center of the spark plug(s) (Fig. 20). If you see light brown or gray on the insulator, the engine is operating properly. A black coating on the insulator usually means the air cleaner is dirty.

**IMPORTANT: Never clean the spark plug(s). Always replace the spark plug(s) when it has: a black coating, worn electrodes, an oily film, or cracks.**

2. Check the gap between the center and side electrodes (Fig. 20). Bend the side electrode (Fig. 20) if the gap is not correct.



m-3215

**Figure 20**

1. Center electrode insulator
2. Side electrode
3. Air gap (not to scale)

### Installing the Spark Plug(s)

1. Install the spark plug(s). Make sure the air gap is set correctly.
2. Tighten the spark plug(s) to 20 ft-lb (27 N.m).
3. Push the wire(s) onto the spark plug(s) (Fig. 19).

## Greasing and Lubrication

Grease the castor wheel bearings and motion control lever pivots every 8 operating hours. Grease more frequently when operating conditions are extremely dusty or sandy.

Grease Type: General-purpose grease.

### How to Grease

1. Disengage the power take off (PTO) and turn the ignition key to "OFF" to stop the engine. Remove the key.
2. Clean the grease fittings with a rag. Make sure to scrape any paint off the front of the fitting(s).
3. Connect a grease gun to the fitting. Pump grease into the fittings until grease begins to ooze out of the bearings.
4. Wipe up any excess grease.

### Where to Add Grease

1. Lubricate the castor wheel bearings and motion control lever pivots until grease begins to ooze out of the bearings (Fig. 21).

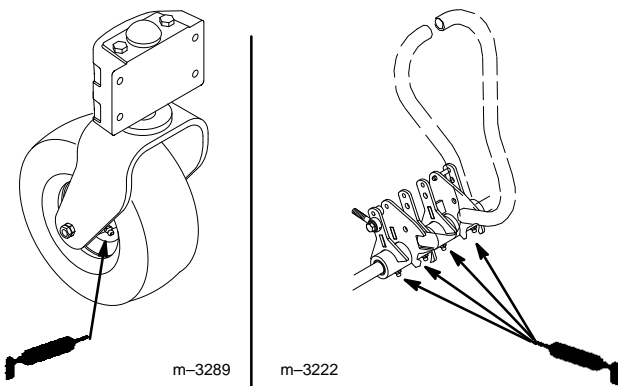


Figure 21

2. Grease the fittings on drive shaft and universal joints (Fig. 6).

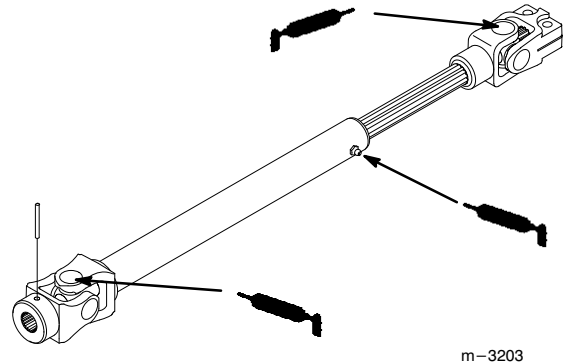


Figure 22

1. PTO Driveshaft
2. Universal Joint

### Lubricate Power Take Off (PTO) Gearbox

Check the oil level in the PTO gearbox every 50 operating hours. Change the oil every 500 hours or six months, whichever occurs first.

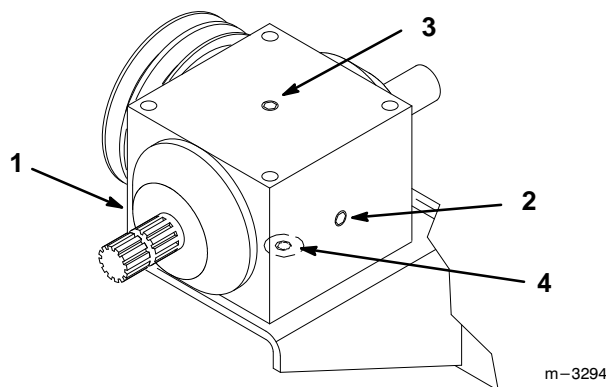
Oil Type: SAE EP-80\90 wt. gear oil

Capacity: 16 oz. (377 ml)

1. Clean area around top and side plugs of the PTO gearbox. Remove side plug of the gearbox and check the level of lubrication in the gearbox.
2. If level is low, remove top plug and add until level is up to side plug in gearbox. (Fig. 23).
3. To change oil, park the machine so the gearbox is level, to assure the oil drains completely. Then disengage the power take off (PTO), set the parking brake, and turn the ignition key to "OFF" to stop the engine. Remove the key.
4. Place a pan below the oil drain. Remove the bottom plug (Fig. 17).
5. When oil has drained completely, install the bottom plug.

- Fill oil as in steps 1 and 2.

**Note:** Dispose of the used oil at a certified recycling center.



**Figure 23**

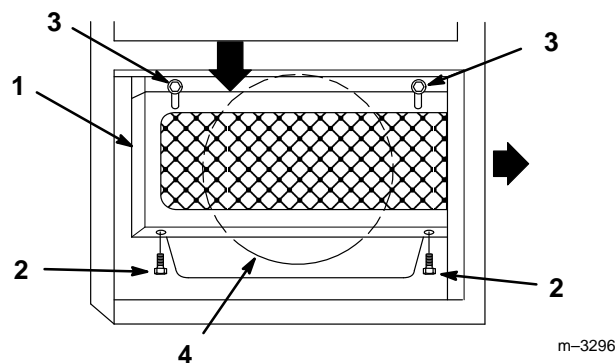
- |              |                |
|--------------|----------------|
| 1. Gearbox   | 3. Top plug    |
| 2. Side plug | 4. Bottom plug |

## Cleaning the Cooling Systems

Before each use, check and clean cooling screen. Remove any build-up of grass, dirt or other debris from the oil cooler screen and engine air intake. Every 100 hours clean oil cooler, engine cylinder and cylinder head cooling fins. Also clean around carburetor, governor levers and linkage. This will help insure adequate cooling to hydraulic pumps, motors and engine and will reduce the possibility of overheating and mechanical damage.

- To remove cooling screen remove lower bolts and loosen top bolts. Slide screen down and rearward to expose oil cooler (Fig. 24). Save all mounting hardware.
- Blow out fins of oil cooler and area between fins and screen with compressed air. If area between screen and fins is tightly packed, remove oil cooler.
- Clean off engine air intake (Fig. 24).

- Install screen from rear and raise over oil cooler. Secure with previously removed hardware (Fig. 24).



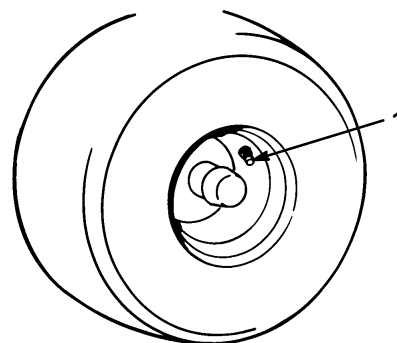
**Figure 24**

- |                      |                      |
|----------------------|----------------------|
| 1. Oil cooler screen | 3. Top bolts         |
| 2. Lower bolts       | 4. Engine air intake |

## Tire Pressure

Maintain the air pressure in the front and rear tires as specified. Uneven tire pressure can cause uneven cut. Check the pressure at the valve stem after every 50 operating hours or monthly, whichever occurs first (Fig. 25). Check the tires when they are cold to get the most accurate pressure reading.

Pressure: 12 psi (83 kPa) drive wheels and castor wheels.



**Figure 25**

- Valve stem

## Fuel Filter

Replace the fuel filter after every 200 operating hours or yearly, whichever occurs first.

### Replacing the Fuel Filter

Never install a dirty filter if it is removed from the fuel line.

1. Disengage the power take off (PTO), set the parking brake, and turn the ignition key to "OFF" to stop the engine. Remove the key.
2. Close fuel shut-off valve at fuel tank (Fig. 27).
3. Squeeze the ends of the hose clamps together and slide them away from the filter (Fig. 26).
4. Remove the filter from the fuel lines.
5. Install a new filter and move the hose clamps close to the filter.
6. Open fuel shut-off valve at fuel tank (Fig. 27).

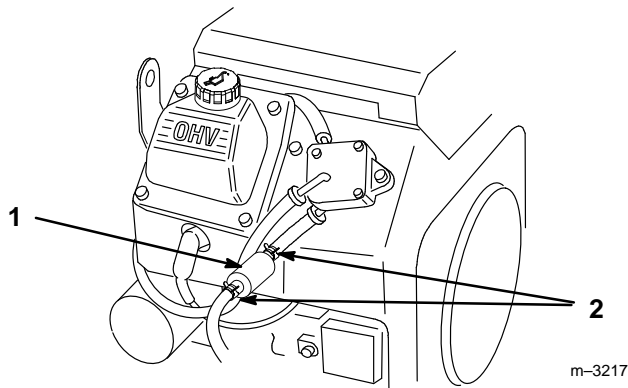


Figure 26

1. Filter

2. Hose clamp

## Fuel Tank

### Draining The Fuel Tank

#### DANGER

##### POTENTIAL HAZARD

- In certain conditions gasoline is extremely flammable and highly explosive.

##### WHAT CAN HAPPEN

- A fire or explosion from gasoline can burn you, others, and cause property damage.

##### HOW TO AVOID THE HAZARD

- Drain gasoline from the fuel tank when the engine is cold. Do this outdoors in an open area. Wipe up any gasoline that spills.
- Never drain gasoline near an open flame or where gasoline fumes may be ignited by a spark.
- Never smoke a cigarette, cigar or pipe.

1. Park the machine on a level surface, to assure fuel tank drains completely. Then disengage the power take off (PTO), set the parking brake, and turn the ignition key to "OFF" to stop the engine. Remove the key.
2. Close fuel shut-off valve at fuel tank (Fig. 27).
3. Loosen the hose clamp and slide it up the fuel line away from the fuel shut-off valve (Fig. 27).
4. Pull the fuel line off fuel shut-off valve (Fig. 27). Open fuel shut-off valve and allow gasoline to drain into a gas can or drain pan.

**Note:** Now is the best time to install a new fuel filter because the fuel tank is empty.

5. Install the fuel line onto the fuel shut-off valve. Slide the hose clamp close to the fuel shut-off valve to secure the fuel line (Fig. 27).

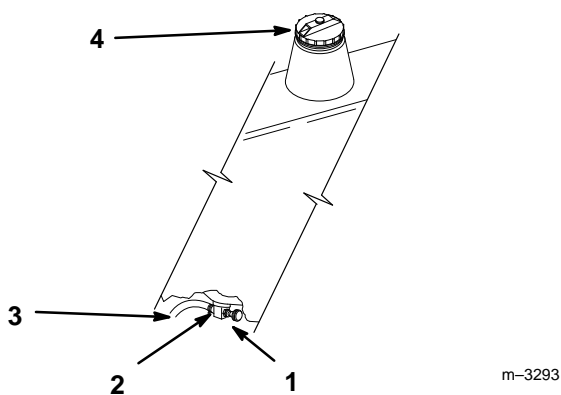


Figure 27

- |                        |              |
|------------------------|--------------|
| 1. Fuel shut-off valve | 3. Fuel line |
| 2. Hose clamp          | 4. Fuel cap  |

## Hydraulic System

### Checking the Hydraulic Fluid

Check the hydraulic fluid level before engine is first started and after every 8 operating hours.

Fluid Type: Mobil Fluid 424 (ISO 46) or equivalent anti-wear hydraulic fluid.

**IMPORTANT: Use only hydraulic oils specified. Other fluids could cause system damage.**

Tank Capacity: 6 qt. (5.7 l)

1. Position machine on a level surface and stop the engine and set the parking brake.
2. Clean area around filler neck of hydraulic tank (Fig. 28).

3. Remove cap from filler neck and look inside to check fluid level. Fluid level should be above the bottom of the screen (Fig. 28).
4. If level is low, add fluid to raise level to above the bottom of the screen (Fig. 28).
5. Install cap on filler neck.

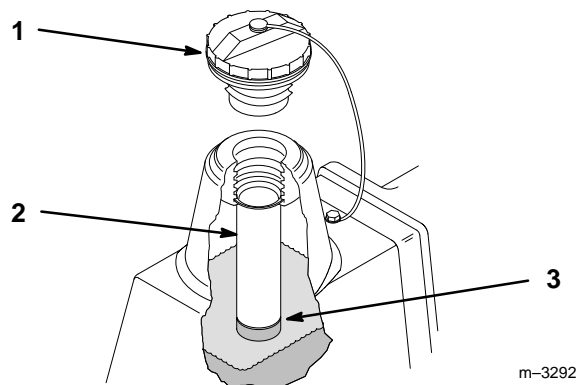


Figure 28

- |                            |                     |
|----------------------------|---------------------|
| 1. Hydraulic reservoir cap | 3. Fluid level-Full |
| 2. Screen                  |                     |

### Replacing the Hydraulic Filter

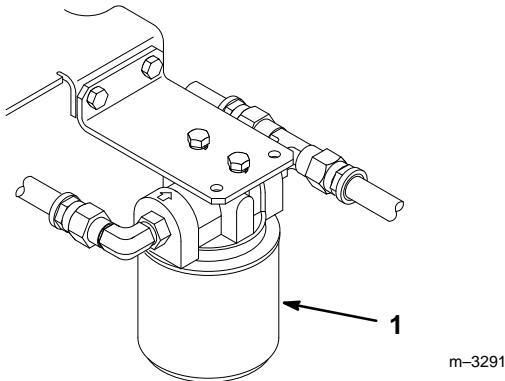
Change the hydraulic filter:

- After the first 8 operating hours.
  - After every 200 operating hours.
1. Position machine on a level surface, stop the engine, and remove key from ignition switch.

**IMPORTANT: Do not substitute automotive oil filter or severe hydraulic system damage may result.**

2. Remove hydro cap and temporarily cover opening with a plastic bag and rubber band to prevent all hydro fluid from draining out.

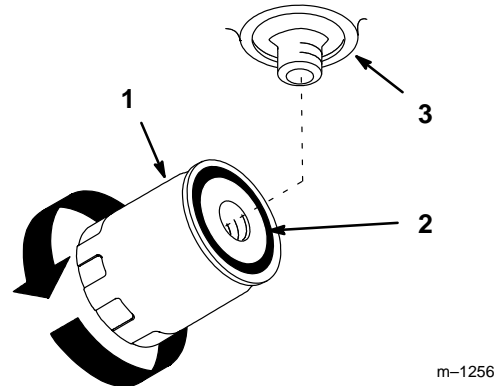
3. Place drain pan under filter, remove the old filter and wipe the filter adapter gasket surface clean (Fig. 29).



**Figure 29**

1. Hydraulic filter

4. Apply a thin coat hydro fluid to the rubber gasket on the replacement filter (Fig. 30).
5. Install replacement hydraulic filter onto the filter adapter. Do not tighten.
6. Remove plastic bag from tank opening and allow filter to fill with hydro fluid.
7. When fluid overflows filter turn the oil filter clockwise until the rubber gasket contacts the filter adapter, then tighten the filter an additional 1/2 turn (Fig. 30).
8. Clean up any spilled fluid.
9. Start engine and let run for about two minutes to purge air from the system. Stop the engine and check for leaks. If one or both wheels will not drive, refer Bleeding Hydraulic System, page 30.
10. Check fluid level in hydraulic tank and add to raise level to cover bottom of screen. **DO NOT OVER FILL.**



**Figure 30**

1. Hydraulic filter
2. Gasket
3. Adapter

---

## Bleeding Hydraulic System

The traction system is self bleeding, however, it may be necessary to bleed the system if fluid is changed or after work is performed on the system.

1. Raise front of the machine so wheels are off the ground and support with jack stands.
2. Start the engine and run at idle speed. Engage traction on one side and spin the wheel by hand.
3. When the wheel begins to spin on its own, keep it engaged until wheel drives smoothly. (minimum 2 minute)
4. Check hydraulic fluid level as it drops and add as required to maintain proper level.
5. Repeat procedure on opposite wheel.

## Check Hydraulic Lines

After every 100 operating hours, check hydraulic lines and hoses for leaks, loose fittings, kinked lines, loose mounting supports, wear, weather and chemical deterioration. Make necessary repairs before operating.

## ⚠ WARNING

### POTENTIAL HAZARD

- Hydraulic fluid escaping under pressure can penetrate skin and cause injury.

### WHAT CAN HAPPEN

- Fluid accidentally injected into the skin must be surgically removed within a few hours by a doctor familiar with this form of injury or gangrene may result.

### HOW TO AVOID THE HAZARD

- Keep body and hands away from pin hole leaks or nozzles that eject high pressure hydraulic fluid.
- Use cardboard or paper to find hydraulic leaks.

## Adjusting Motion Controls

If motion control levers do not align, adjustment is required. Adjust each rod separately.

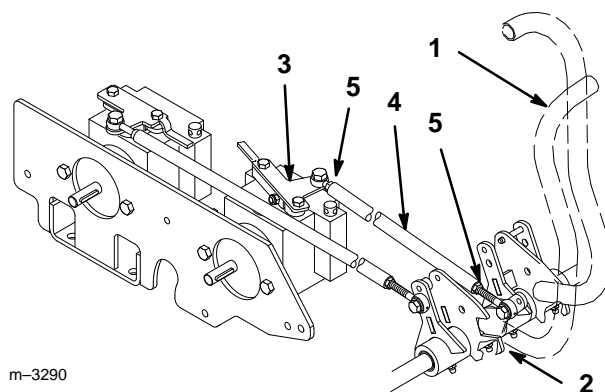
- Loosen jam nuts on pump control rod (Fig. 31).
- Push and firmly hold motion control lever against forward stop (Fig. 31).
- Rotate pump control rod until pump control plate is in the full forward position (Fig. 31). Motion control lever will lift off forward stop.

**IMPORTANT: Hold motion control lever firmly against forward stop to determine when pump control reaches stop.**

- Rotate control rod 1 turn, to lengthen rod, and tighten jam nuts (Fig. 31).

**IMPORTANT: Motion control lever must contact forward stop before pump contacts internal stop or pump damage may occur.**

- If motion control levers do not line up in neutral, identify control rod of handle closer to the seat. Rotate to lengthen this control rod a little. Tighten jam nuts.



**Figure 31**

- |                         |                |
|-------------------------|----------------|
| 1. Motion control lever | 4. Control rod |
| 2. Forward stop         | 5. Jam nut     |
| 3. Pump control plate   |                |

## Adjusting Mowing Speed Reference Position

The mowing speed reference position is a spring loaded stop that can be felt, as extra spring force, when pushing motion controls forward. The motion control levers return to this pre-set position when forward pressure is reduced. Below the pre-set speed the motion control levers remain in their placed location. The reference position is factory set for cutting grass at approximately 5 mph to maintain a high quality of cut. For maximum transit speed the operator can push the motion controls through the reference speed position.

### Adjusting Reference Speed

1. Loosen nuts on stop bolts below control assembly (Fig. 32).
2. Thread bolt in to decrease pre-set speed or out to increase speed. Tighten nuts to hold new set position.
3. Repeat adjustment on other control stop bolt adjusting as close to the same length as possible.
4. Test drive the unit to evaluate reference speed and note location of traction control levers. If levers are not at the same position against stops, turn longest bolt in to make them the same.

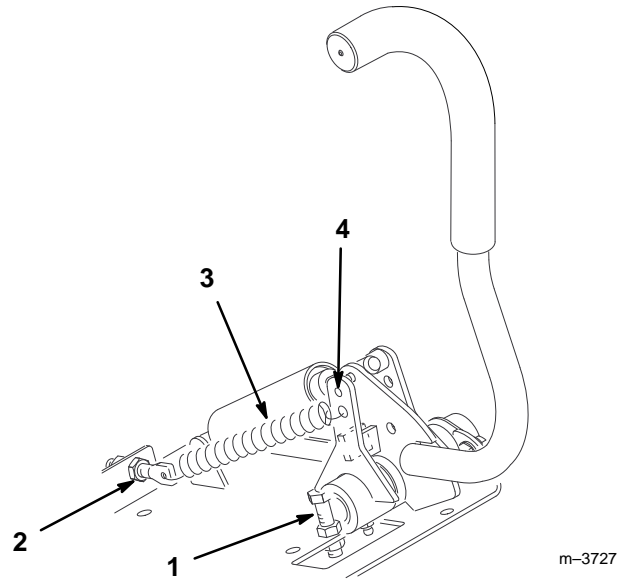


Figure 32

- |                         |               |
|-------------------------|---------------|
| 1. Reference speed bolt | 3. Spring     |
| 2. Eye bolt             | 4. Outer hole |

---

### Adjusting Reference Stop Spring Tension

The resistance felt against the traction control levers can be adjusted to make the feel less or more sensitive.

1. To adjust tension loosen nuts on the eye bolts holding the springs to mounting plate (Fig. 32).
2. To reduce tension thread nuts off eye bolts (Fig. 32). Tighten nuts to hold new set position.
3. To increase tension thread nuts onto eye bolts (Fig. 32). Tighten nuts to hold new set position.

**Note:** Adjust springs to the same length so tension will be the same on both motion control levers.

4. If greater tension is desired, the front hook of the springs can be moved to the outer hole in the control assemblies (Fig. 32).

## Replacing Power Take Off (PTO) Belts

Check power take off (PTO) belts for wear after every 50 hours of operation.

1. Hold spring loaded idler against belts and pull spring down to remove from lower bolt mount (Fig. 33).
2. Lower idler to relax tension on PTO belts and remove belts from gear box pulley (Fig. 33).
3. Remove clutch stop mounting bolts and unplug clutch wire harness (Fig. 33). Remove belts over clutch.

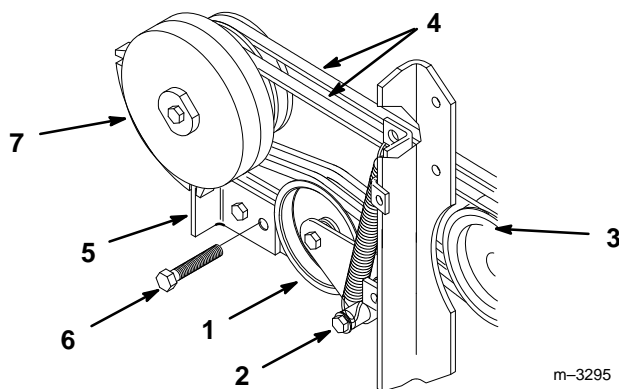


Figure 33

- |                  |                |
|------------------|----------------|
| 1. Idler         | 5. Clutch stop |
| 2. Spring        | 6. Bolt        |
| 3. Gr box pulley | 7. Clutch      |
| 4. PTO belt      |                |

4. Install new PTO belts over clutch and route around gear box pulleys and above spring loaded idler (Fig. 34).
5. Hold spring loaded idler against belts and pull spring down to install on lower bolt mount (Fig. 33).
6. Install clutch stop (Fig. 33). Tighten mounting bolts securely.
7. Plug clutch wire into wire harness.

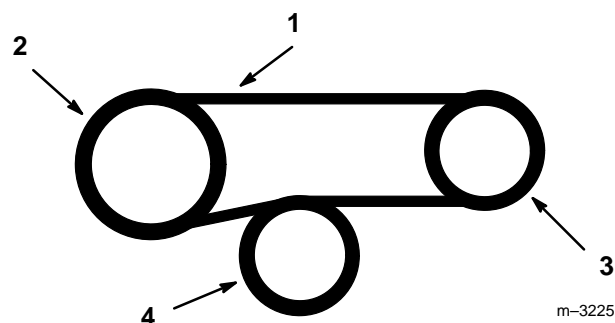


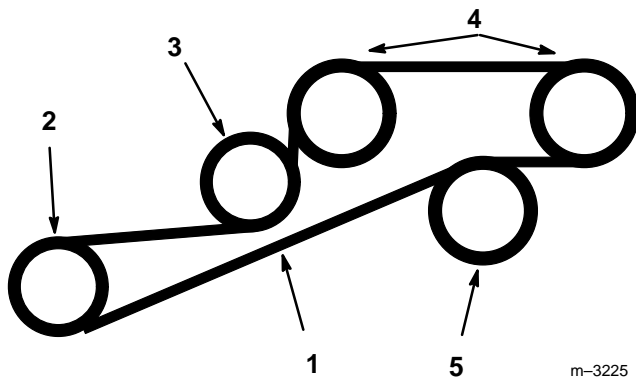
Figure 34

- |                   |                        |
|-------------------|------------------------|
| 1. PTO belt       | 3. Gearbox pulley      |
| 2. Clutch pulleys | 4. Spring loaded idler |

## Replacing the Traction Belt

Check traction drive belt for wear after every 50 hours of operation.

1. Remove PTO belts; refer to Replacing Power Take Off (PTO) Belts.
2. Push spring loaded idler down and remove traction belt from the engine, fixed idler and hydro pump pulleys (Fig. 35). Remove belt over clutch.
3. Install new belt over clutch and around engine, fixed idler and hydro pump pulleys (Fig. 35).
4. Push spring loaded idler down and align below traction belt. Release pressure on spring loaded idler (Fig. 35).
5. Install PTO belts; refer to Replacing Power Take Off (PTO) Belts.



**Figure 35**

- |                       |                        |
|-----------------------|------------------------|
| 1. Traction belt      | 4. Hydro pump pulley   |
| 2. Engine pulley      | 5. Spring loaded idler |
| 3. Fixed idler pulley |                        |

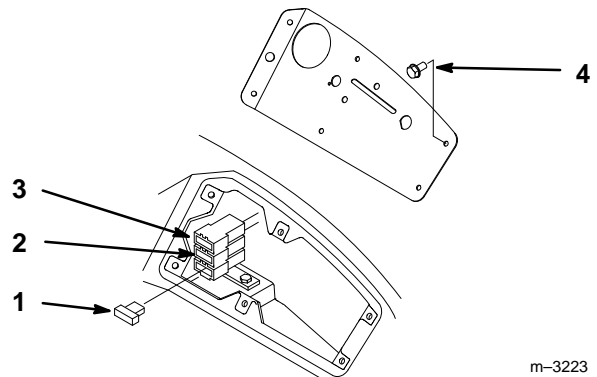
## Fuse

### Service Interval/Specification

The electrical system is protected by fuses. It requires no maintenance, however, if a fuse blows check component/circuit for malfunction or short.

Fuse: Main F1–30 amp, blade-type  
 Alternator F2–25 amp, blade-type  
 Safety Interlock and Clutch F3–15 amp, blade-type

1. Remove dash panel screws to gain access to fuse holder (Fig. 36).
2. To replace fuses pull out on the fuse to remove it (Fig. 36).



**Figure 36**

- |                      |                                       |
|----------------------|---------------------------------------|
| 1. Main-30 amp       | 3. Safety interlock and clutch-15 Amp |
| 2. Alternator-25 amp | 4. Screw                              |

## Battery

Check the electrolyte level in the battery every 8 hours. Always keep the battery clean and fully charged. Use a paper towel to clean the battery case. If the battery terminals are corroded, clean them with a solution of four parts water and one part baking soda. Apply a light coating of grease to the battery terminals to prevent corrosion.

Voltage: 12 v, 380 Cold Cranking Amps

### Checking Electrolyte Level

1. Open covers to see into the cells. The electrolyte must be up to the lower part of the tube (Fig. 37). Do not allow the electrolyte to get below the plates. (Fig. 37).
2. If the electrolyte is low, add the required amount of distilled water; refer to Adding Water to the Battery, page 35.

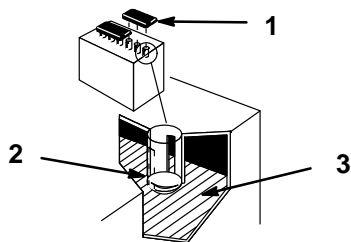


Figure 37

1. Filler caps
2. Lower part of tube
3. Plates

1262

### Adding Water to the Battery

The best time to add distilled water to the battery is just before you operate the machine. This lets the water mix thoroughly with the electrolyte solution.

1. Clean the top of the battery with a paper towel.
2. Lift off the filler caps (Fig. 37).
3. Slowly pour distilled water into each battery cell until the level is up to the lower part of the tube (Fig. 37).

**IMPORTANT: Do not overfill the battery because electrolyte (sulfuric acid) can cause severe corrosion and damage to the chassis.**

4. Press the filler caps onto the battery.

### Charging the Battery

**IMPORTANT: Always keep the battery fully charged (1.260 specific gravity). This is especially important to prevent battery damage when the temperature is below 32°F (0°C).**

1. Check the electrolyte level; refer to Checking Electrolyte Level, page 35.
2. Remove the filler caps from the battery and connect a 3 to 4 amp battery charger to the battery posts. Charge the battery at a rate of 4 amperes or less for 4 hours (12 volts). Do not overcharge the battery. Install the filler caps after the battery is fully charged.

### **! WARNING**

#### **POTENTIAL HAZARD**

- Charging the battery produces gasses.

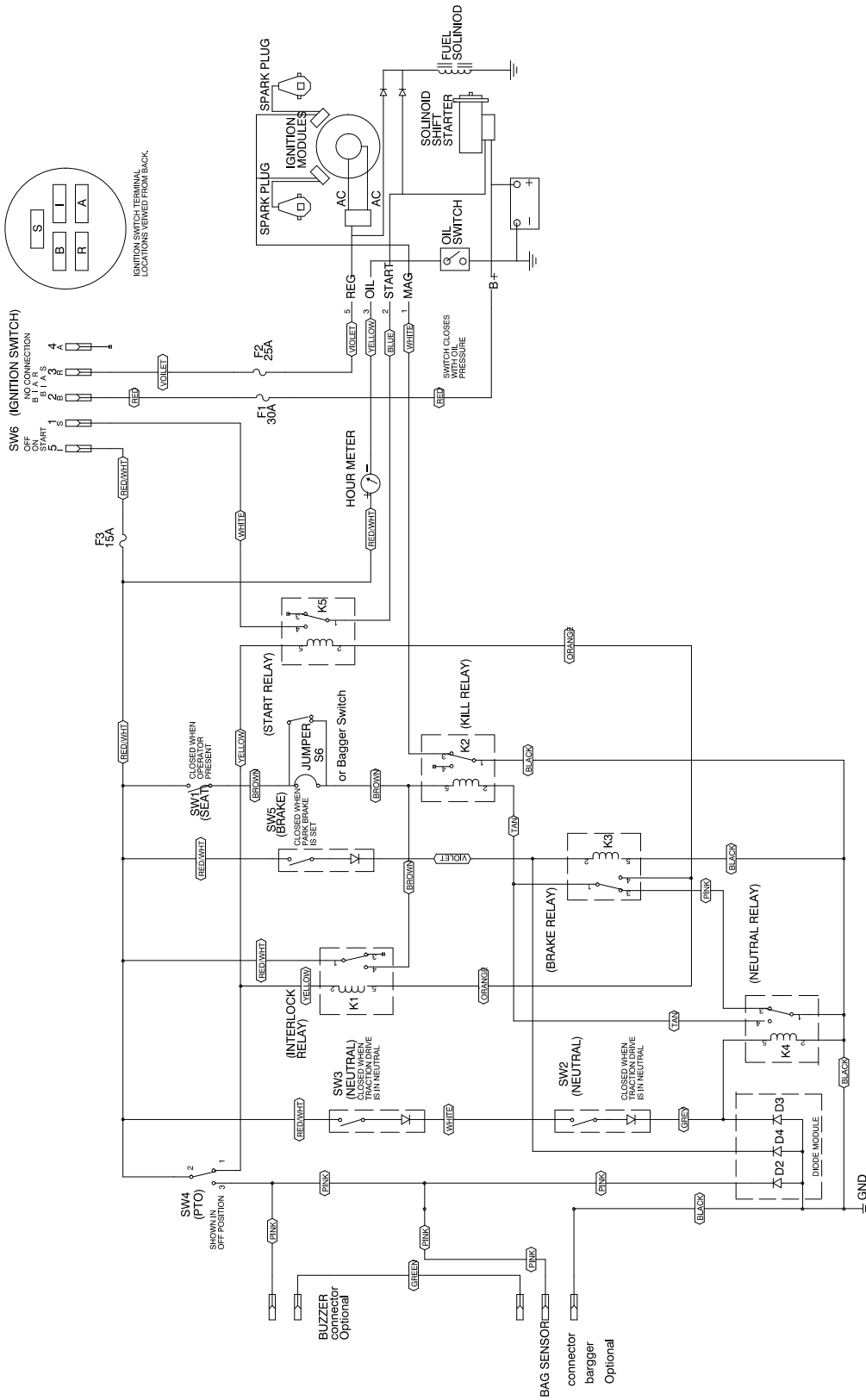
#### **WHAT CAN HAPPEN**

- Battery gasses can explode.

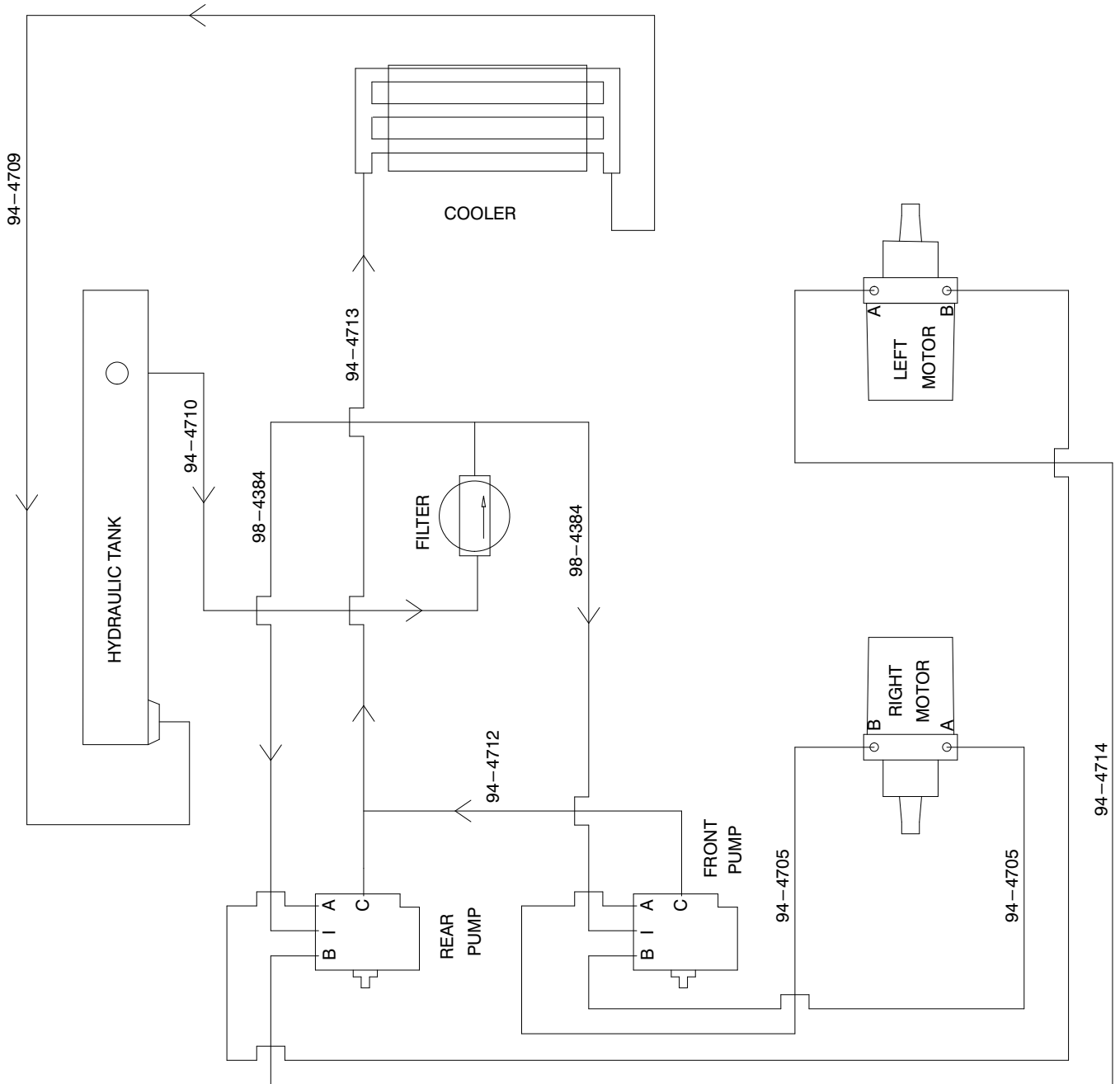
#### **HOW TO AVOID THE HAZARD**

- Keep cigarettes, sparks and flames away from battery.

# Wiring Diagram



# Hydraulic Diagram



## Cleaning and Storage

1. Disengage the power take off (PTO), set the parking brake and turn the ignition key to “OFF” to stop the engine. Remove the key.
2. Remove grass clippings, dirt, and grime from the external parts of the entire machine, especially the engine. Clean dirt and chaff from the outside of the engine’s cylinder head fins and blower housing.

**IMPORTANT: You can wash the machine with mild detergent and water. Do not pressure wash the machine. Avoid excessive use of water, especially near the control panel, engine, hydraulic pumps and motors.**

3. Service the air cleaner; refer to Air Cleaner, page 21.
4. Grease the machine; refer to Greasing and Lubrication, page 26.
5. Change the crankcase oil; refer to Engine Oil, page 23.
6. Change the hydraulic fluid; refer to Hydraulic System, page 29.
7. Remove the spark plug(s) and check its condition; refer to Spark Plug, page 25. With the spark plug(s) removed from the engine, pour two tablespoons of engine oil into the spark plug hole. Now use the starter to crank the engine and distribute the oil inside the cylinder. Install the spark plug(s). Do not install the wire on the spark plug(s).
8. Check the tire pressure; refer to Tire Pressure, page 27.
9. Charge the battery; refer to Battery page 35.

10. For long-term storage (more than 90 days) add stabilizer/conditioner additive to fuel in the tank (1 oz. per gallon).
  - A. Run engine to distribute conditioned fuel through the fuel system (5 minutes).
  - B. Stop engine, allow to cool and drain the fuel tank; refer to Fuel Tank, page 28.
  - C. Restart engine and run until it stops. Repeat, on “CHOKE” until engine will not restart.
  - D. Dispose of fuel properly. Recycle as per local codes.

**Note:** Do not store stabilizer/conditioned gasoline over 90 days.

11. Check and tighten all bolts, nuts, and screws. Repair or replace any part that is damaged or defective.
12. Paint all scratched or bare metal surfaces. Paint is available from your Authorized Service Dealer.
13. Store the machine in a clean, dry garage or storage area. Remove the key from the ignition switch and keep it in a memorable place. Cover the machine to protect it and keep it clean.

# Troubleshooting

PROBLEM	POSSIBLE CAUSES	CORRECTIVE ACTION
Starter does not crank	<ol style="list-style-type: none"> <li>1. Power take off (PTO) is ENGAGED.</li> <li>2. Parking brake is not on.</li> <li>3. Motion control levers are not in neutral.</li> <li>4. Battery is dead.</li> <li>5. Electrical connections are corroded or loose.</li> <li>6. Fuse is blown.</li> <li>7. Relay or switch is defective.</li> </ol>	<ol style="list-style-type: none"> <li>1. Move power take off (PTO) to DISENGAGED.</li> <li>2. Set parking brake.</li> <li>3. Move motion control levers into neutral.</li> <li>4. Charge the battery.</li> <li>5. Check electrical connections for good contact.</li> <li>6. Replace fuse.</li> <li>7. Contact Authorized Service Dealer.</li> </ol>
Engine will not start, starts hard, or fails to keep running.	<ol style="list-style-type: none"> <li>1. Fuel tank is empty.</li> <li>2. Choke is not ON.</li> <li>3. Air cleaner is dirty.</li> <li>4. Spark plug wires is loose or disconnected.</li> <li>5. Spark plugs are pitted, fouled, or gap is incorrect.</li> <li>6. Dirt in fuel filter.</li> <li>7. Dirt, water, or stale fuel is in fuel system.</li> </ol>	<ol style="list-style-type: none"> <li>1. Fill fuel tank with gasoline.</li> <li>2. Move choke lever to ON.</li> <li>3. Clean or replace air cleaner element.</li> <li>4. Install wires on spark plug.</li> <li>5. Install new, correctly gapped spark plugs.</li> <li>6. Replace fuel filter.</li> <li>7. Contact Authorized Service Dealer.</li> </ol>
Engine loses power.	<ol style="list-style-type: none"> <li>1. Engine load is excessive.</li> <li>2. Air cleaner is dirty.</li> <li>3. Oil level in crankcase is low.</li> <li>4. Cooling fins and air passages under engine blower housing are plugged.</li> <li>5. Spark plugs are pitted, fouled, or gap is incorrect.</li> <li>6. Dirt in fuel filter.</li> <li>7. Dirt, water, or stale fuel is in fuel system.</li> </ol>	<ol style="list-style-type: none"> <li>1. Reduce ground speed.</li> <li>2. Clean air cleaner element.</li> <li>3. Add oil to crankcase.</li> <li>4. Remove obstruction from cooling fins and air passages.</li> <li>5. Install new, correctly gapped spark plugs.</li> <li>6. Replace fuel filter.</li> <li>7. Contact Authorized Service Dealer.</li> </ol>

<b>PROBLEM</b>	<b>POSSIBLE CAUSES</b>	<b>CORRECTIVE ACTION</b>
Engine overheats.	<ol style="list-style-type: none"> <li>1. Engine load is excessive.</li> <li>2. Oil level in crankcase is low.</li> <li>3. Cooling fins and air passages under engine blower housing are plugged.</li> </ol>	<ol style="list-style-type: none"> <li>1. Reduce ground speed.</li> <li>2. Add oil to crankcase.</li> <li>3. Remove obstruction from cooling fins and air passages.</li> </ol>
Abnormal vibration.	<ol style="list-style-type: none"> <li>1. Engine mounting bolts are loose.</li> <li>2. Loose engine pulley, idler pulley, or blade pulley.</li> <li>3. Engine pulley is damaged.</li> </ol>	<ol style="list-style-type: none"> <li>1. Tighten engine mounting bolts.</li> <li>2. Tighten the appropriate pulley.</li> <li>3. Contact Authorized Service Dealer.</li> </ol>
Machine does not drive.	<ol style="list-style-type: none"> <li>1. Parking brake is on.</li> <li>2. Traction belt is worn, loose or broken.</li> <li>3. Traction belt is off pulley.</li> <li>4. Hydro fluid level low.</li> </ol>	<ol style="list-style-type: none"> <li>1. Move parking brake to off.</li> <li>2. Contact Authorized Service Dealer.</li> <li>3. Contact Authorized Service Dealer.</li> <li>4. Add hydro fluid to reservoir.</li> </ol>





## THE TORO TOTAL COVERAGE GUARANTEE

A One-Year Limited Warranty  
(A Two-Year Full Warranty for Residential Use)

### What Is Covered By This Express Warranty?

The Toro Company promises to repair any TORO Product used for commercial, institutional, or rental purposes if defective in materials or workmanship for a period of one year from the date of purchase. The cost of parts and labor are included, but the customer pays the transportation cost. Transportation within a 15-mile radius of a TORO ProLine Service Dealer is covered under this warranty for Riding Products, Mid-size Mowers and Turf Maintenance Equipment.

### What Products Are Covered By This Warranty?

The following products and their attachments are covered by this warranty:

- Z-Master Zero Radius Tractors
- ProLine Mid-size Mowers
- Groundsmaster Riding Mowers
- ProLine Hand-held Gas Products
- Backpack Blowers
- Commercial WPM
- Turf Maintenance Equipment
- Debris Management Equipment

### How About Residential Use?

TORO Products used for residential use are covered by a full two-year warranty.

### How Do You Get Warranty Service?

Should you feel your TORO Product contains a defect in materials or workmanship, contact the dealer who sold you the product or any TORO ProLine Service Dealer. The Yellow Pages of your telephone directory is a good reference source; look under TORO Commercial Service Dealers. The Service Dealer will either arrange service at his/her dealership or recommend another authorized Service Dealer who may be more convenient. You may need proof of purchase (copy of registration card, sales receipt, etc.) for warranty validation.

If for any reason you are dissatisfied with a Service Dealer's analysis of the defect in materials or workmanship or if you need a referral to a TORO ProLine Service Dealer, please feel free to contact us at the following address:

Toro Customer Service Department  
8111 Lyndale Avenue South  
Bloomington, MN 55420-1196  
612-888-8801 or 800-348-2424

### What Must You Do To Keep The Warranty In Effect?

You must maintain your TORO Product by following the maintenance procedures described in the operator's manual. Such routine maintenance, whether performed by a dealer or by you, is at your expense.

### What Does This Warranty Not Cover? and

### How Does Your State Law Relate To This Warranty?

There is no other express warranty except for special emission system coverage on some products and as described above. This express warranty does not cover:

- Cost of regular maintenance service or parts, such as filters, fuel, lubricants, tune-up parts, blade sharpening, brake and clutch adjustments.
- Any product or part which has been altered or misused or required replacement or repair due to normal wear, accidents, or lack of proper maintenance.
- Repairs necessary due to improper fuel, contaminants in the fuel system, or failure to properly prepare the fuel system prior to any period of non-use over three months.
- Pickup and delivery charges for distances beyond a 15-mile radius from a TORO ProLine Service Dealer.

All repairs covered by this warranty must be performed by a TORO Service Dealer using Toro approved replacement parts.

**The Toro Company is not liable for indirect or consequential damages in connection with the use of the TORO Products covered by this warranty, including any cost or expense of providing substitute equipment or service during reasonable periods of malfunction or non-use pending completion of repairs under this warranty. Some states do not allow exclusions of incidental or consequential damages, so the above exclusion may not apply to you.**

**This warranty gives you specific legal rights, and you may also have other rights which vary from state to state.**

### COUNTRIES OTHER THAN THE UNITED STATES OR CANADA

Customers who have purchased TORO products exported from the United States or Canada should contact their TORO Distributor (Dealer) to obtain guarantee policies for your country, province, or state. If for any reason you are dissatisfied with your Distributor's service or have difficulty obtaining guarantee information, contact the TORO importer. If all other remedies fail, you may contact us at The Toro Company.