

LAWN-BOY®

Silver Series®

Walk-Behind Mower

Model No. 10248 – 8900001 & Up

Parts Catalog

ORDERING REPLACEMENT PARTS

To order replacement parts, please supply: the part number, the quantity, and the description of each part desired.

Contents

Description	Page	Description	Page
Housing Assembly	1	Recoil Starter Assembly 590694	9
Decal Assembly	2	Recoil Starter Assembly 590737 (Optional)	10
Engine & Blade Assembly	3	Lawn-Boy Part Number Index	11
Handle Assembly	4	Maintenance	12-13
Carburetor No. 640118	5		
Engine LEV100-345001B	6-8	Note:	

Accessories

Description	Model / Parts No.	Description	Model / Parts No.
Side Bagging Kit	Model No. 89814	Mow & Feed	
Rear Bagging Kit	Model No. 89800	Fertilizer Spreader	Model No. 52070
Leaf Bag	Model No. 89804	Mulch Plate	Model No. 89864
Leaf Shredder Kit	Model No. 89860	Side Discharge Plate Kit	Model No. 89812
Leaf Bag Kit w/Chute	Model No. 89811		

Part Description Abbreviations

Part descriptions in this catalog may include the following abbreviations.

Abbreviation	Meaning	Abbreviation	Meaning
AR	as required	HWHTF	hex washer head thread forming
ASM	assembly	INC	incorporated
CARR	carriage	LH	left hand
DEG	degrees	PH	pan head
FH	flat head	PPH	Phillips pan head
GA	gauge	PTO	power take off
HF	hex flange	RH	right hand
HFW	hex flange washer	SFH	slotted fillister head
HH	hex head	SH	square head
HHF	hex head flange	SHWH	slotted hex washer head
HHST	hex head self tapping	SPH	slotted pan head
HJ	hex jam	STD	standard
HOC	height-of-cut	TAP	self tapping
HS	hex socket	TH	truss head
HSBH	hex socket button head	TTH	Torx truss head
HSFH	hex socket flat head	WH	wing head
HSH	hex socket head		
HWH	hex washer head		

Important Format Explanations

This catalog uses special formats to convey information in illustrations and parts lists. Specifically, one format is used in conjunction with service assemblies and another with quantities associated with reference numbers.

Service Assemblies

Parts within service assemblies have reference numbers in the form $X:Y$. X is the reference number of the service assembly and Y is a sequential number unique to each part within the service assembly.

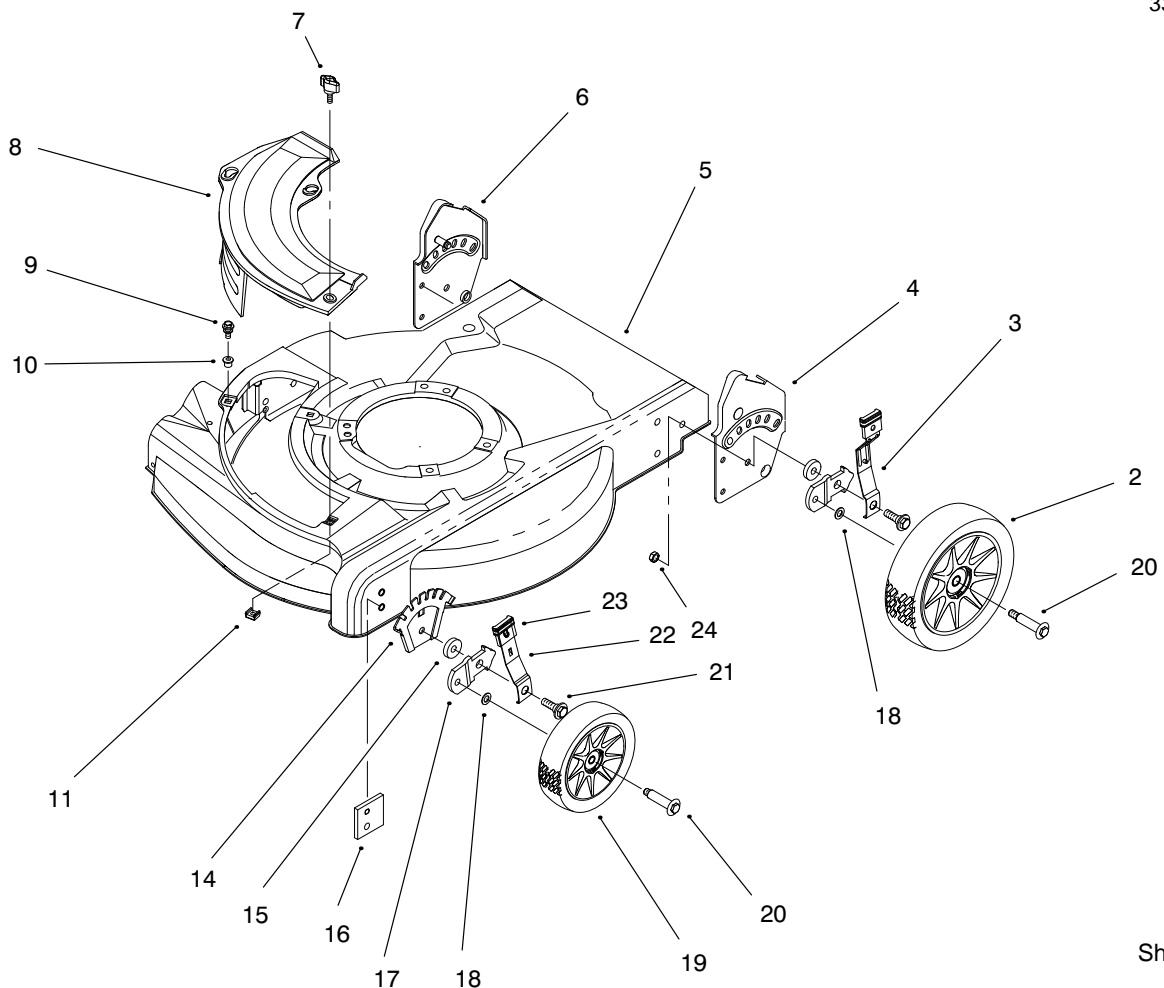
For example, a wheel assembly might be identified by reference number 6, the tire by 6:1, the valve by 6:2, and the wheel by 6:3. When you order the assembly identified by reference number 6, you receive all parts identified by reference numbers 6:1, 6:2, and 6:3. However, you may also order any part individually.

Reference numbers of this type appear in part lists and as callouts in illustrations.

Reference Numbers with Quantities

Illustrations may have a quantity in parentheses next to a reference number, in the form $X (Y)$. X is the reference number. Y in parentheses is the quantity of the part identified by the reference number.

For example, the illustration callout 4 (2) indicates that two parts are used in that instance.

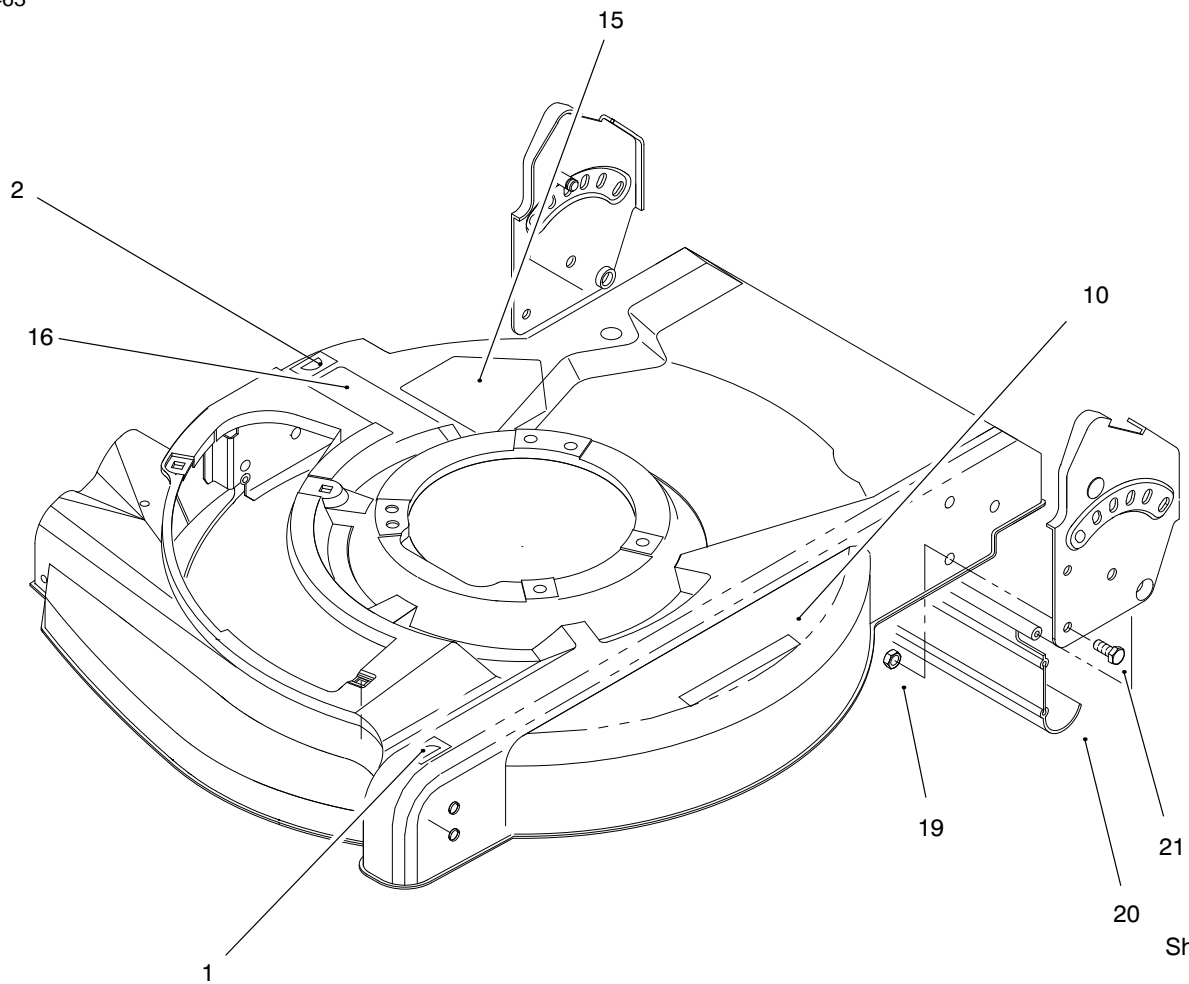


Sheet No.:2

Housing Assembly

Ref. No.	Part No.	Qty.	Description
2	95-7437	2	ASM-Wheel
3	92-1005	2	ASM-Spring Arm
4	92-7743	1	ASM-Handle Brkt
5	98-4471	1	ASM-Housing & Baffle
6	92-7742	1	RH Handle Bracket ASM
7	98-8332	1	Knob-Cover Plate
8	92-8630	1	Mulch Plate-21"
9	614677	2	Screw-Sems
10	94-1610	2	Grommet-Plastic
11	613765	1	Nut-Cage
14	92-4881	2	Plate-Height Adjust
15	92-4890	4	Washer
16	92-7731	2	Plate-Baffle
17	95-7403	4	Bracket-Wheel Height Adj
18	40-1940	4	Washer
19	95-7436	2	ASM-Wheel & Tire 6"
20	92-1099	4	Bolt-Shoulder
21	614672	2	Bolt-Shoulder
22	614687	2	Spring Arm-Front
23	92-1008	4	Knob-Height Adjust
24	3296-39	2	Nut-Lock

Ref. No.	Part No.	Qty.	Description

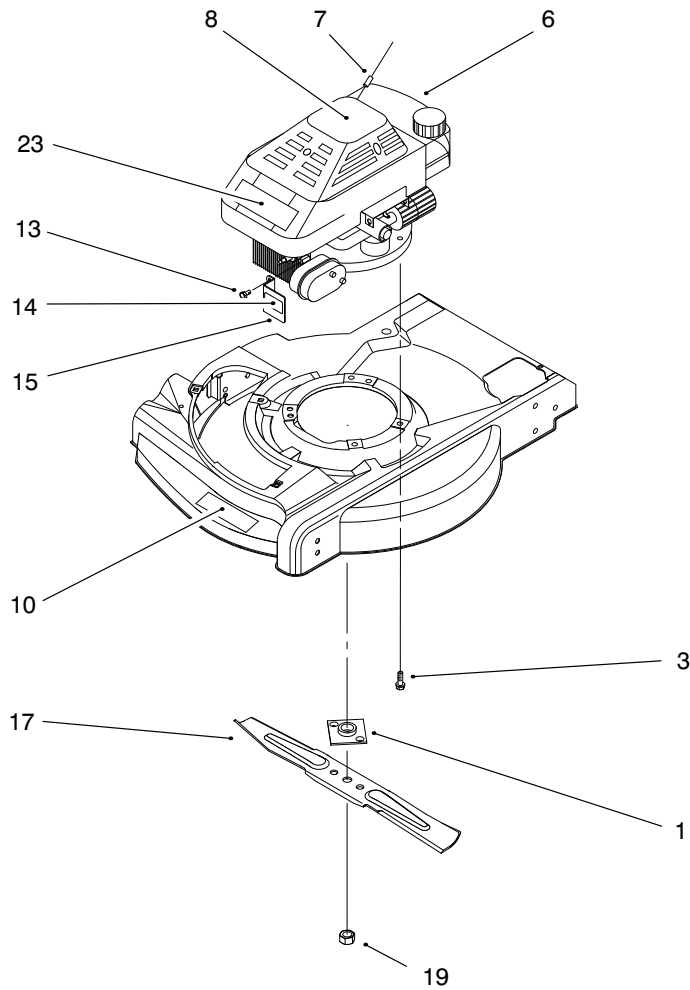


Sheet No.:3

Decal Assembly

Ref. No.	Part No.	Qty.	Description
1	92-2915	1	Decal-HOC
2	92-2914	1	Decal-HOC
10	93-7250	1	Decal-Warning
15	39-5770	1	Decal-Danger
16	92-1097	1	Decal-Discharge
19	3296-29	4	Nut-Lock
20	92-8647	1	Shield-Trailing
21	322-3	4	Screw-HH

Ref. No.	Part No.	Qty.	Description

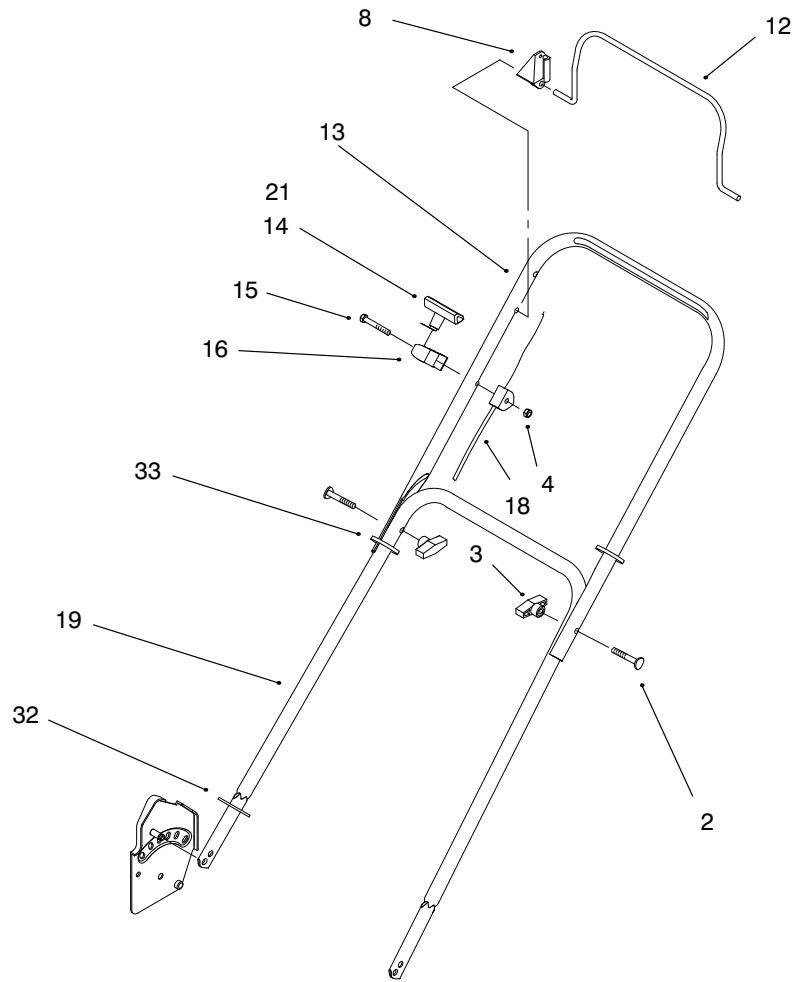


Sheet No.:4

Engine & Blade Assembly

Ref. No.	Part No.	Qty.	Description
1	677525	1	ASM-Plate & Collar
3	95-1726	3	Screw-Engine Mount
6		1	ASM-Engine
7	92-1701	1	Rope-Stop
8	95-7448	1	Decal-Shroud Top
10	98-1566	1	Decal-Deck
13	32144-85	1	Screw-HH
14	65-2690	1	Decal-Hot Surface
15	94-6066	1	Guard-Muffler
17	612543	1	Blade-21" Whirl
19	603164	1	Nut-Blade
23	98-1593	1	Applique

Ref. No.	Part No.	Qty.	Description

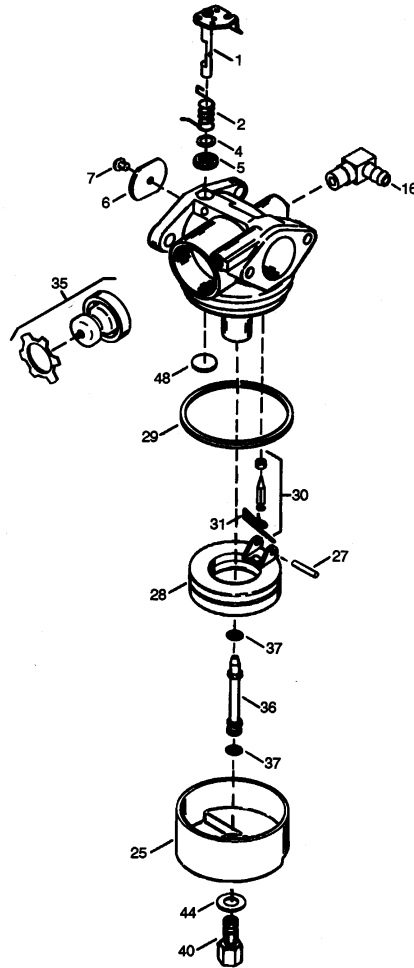


Sheet No.:6

Handle Assembly

Ref. No.	Part No.	Qty.	Description
2	614697	2	Screw-Handle
3	98-7134	2	Knob
4	3296-73	1	Nut-Lock
8	92-5412	1	Stop-Pivot
12	93-4184	1	Bail-Flywheel Brake
13	95-1713	1	Handle Section-Upper
14	92-4853	1	Handle-Starter
15	321-50	1	Screw
16	93-7383	1	Guide-Rope
18	98-1560	1	ASM-Brake Cable
19	614643	1	Handle Section-Lower
21	92-5424	1	Staple-Handle
32	93-3653	1	Handle-Guard
33	614249	2	Tie Strap

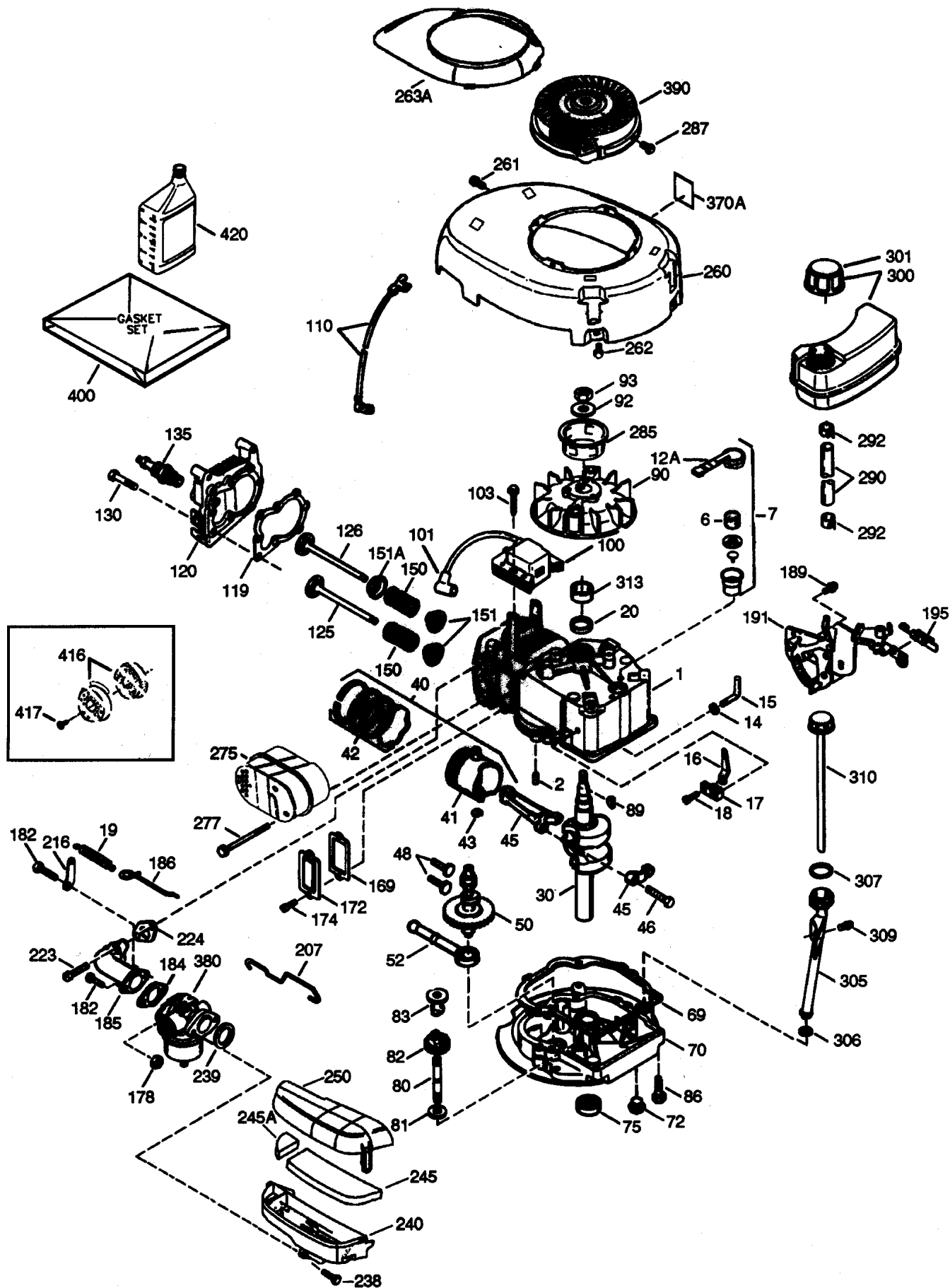
Ref. No.	Part No.	Qty.	Description



CARBURETOR No. 640118

Ref. No.	Part No.	Description	No. Used	Ref. No.	Part No.	Description	No. Used
0	640118	Carburetor	1	29	631028	Float Bowl "O" Ring	1
1	631615	Throttle Shaft & Lever Assembly	1	30	631021	Inlet Needle, Seat, & Clip (Incl. 31)	1
2	631767	Throttle Return Spring	1	31	631022	Spring Clip	1
4	631184	Dust Seal Washer	1	35	36045A	Primer Bulb/Retainer Ring	1
5	631183	Dust Seal (Throttle)	1	36	632735	Main Nozzle Tube	1
6	632504	Throttle Shutter	1	37	632547	O-Ring, Main Nozzle Tube	2
7	650506	Shutter Screw	1	40	632743	High Speed Bowl Nut	1
16	631807	Fuel Fitting	1	44	27110	Bowl Nut Washer	1
25	631867	Float Bowl	1	48	631027	Welch Plug, Atmospheric Vent	1
27	631024	Float Shaft	1				
28	632019	Float	1				

ENGINE LEV100-345001B



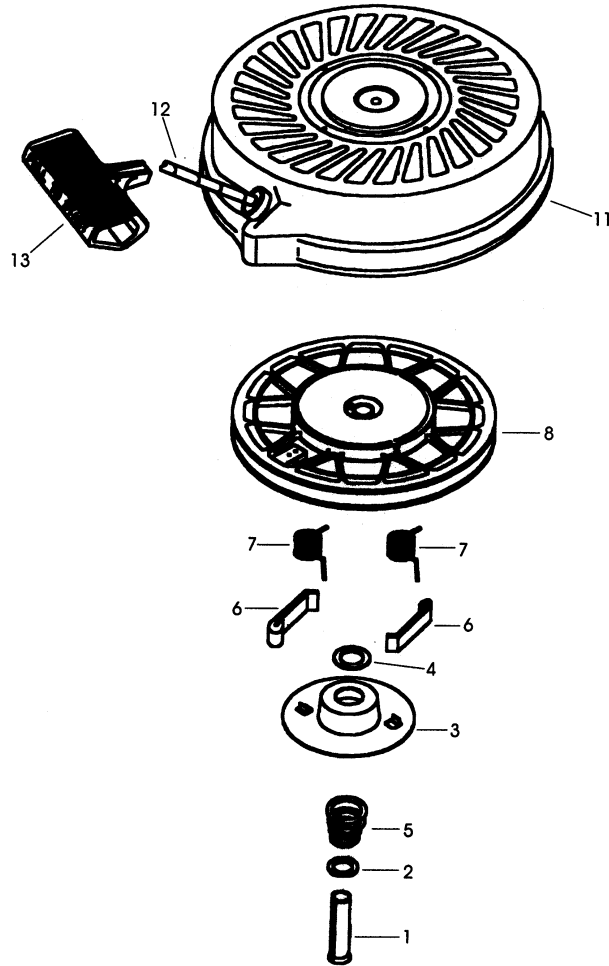
ENGINE LEV100-345001B

Ref. No.	Part No.	Description	No. Used	Ref. No.	Part No.	Description	No. Used
1	37027	Cylinder (Incl. 2 & 20)	1	125	36780	Exhaust Valve (1/32" OS) (Incl. 151)	1
2	26727	Dowel Pin	2	126	36781	Intake Valve (Std.) (Incl. 151)	1
6	33734	Breather Element	1	126	36782	Intake Valve (1/32" OS) (Incl. 151)	1
7	36557	Breather Body Ass'y. (Incl. 6 & 12A)	1	130	6021A	Screw	6
12A	36558	Breather Cover & Tube (Incl. 12B)	1	135	35395	Resistor Spark Plug (RJ19LM)	1
14	28277	Washer	1	150	35991	Valve Spring	2
15	30589	Governor Rod (Incl. 14)	1	151	31673	Valve Spring Cap	2
16	34839A	Governor Lever	1	151A	40017	Intake Valve Seal	1
17	31335	Governor Lever Clamp	1	169	36783	Valve Cover Gasket	1
18	651018	Screw	1	172	36784	Valve Cover	1
19	36281	Extension Spring	1	174	30200	Screw	2
20	32600	Oil Seal	1	178	29752	Nut & Lock Washer	2
30	37124	Crankshaft	1	182	6201	Screw	2
40	35544A	Piston, Pin & Ring Set (Std.)	1	184	26756	Carburetor To Intake Pipe Gasket	1
40	33545A	Piston, Pin & Ring Set (.010" OS)	1	185	36785	Intake Pipe	1
40	35546	Piston, Pin & Ring Set (.020" OS)	1	186	32653	Governor Link	1
41	35541	Piston & Pin Ass'y. (Std.) (Incl. 43)	1	189	650839	Screw	2
41	35542	Piston & Pin Ass'y. (.010" OS) (Incl. 43)	1	191	36559	S.E. Brake Bracket (Incl. 195)	1
41	35543	Piston & Pin Ass'y. (.020" OS) (Incl. 43)	1	195	610973	Terminal	1
42	35547A	Ring Set (Std.)	1	207	34336	Throttle Link	1
42	35548A	Ring Set (.010" OS)	1	216	33086	R.P.M. Adjusting Lever	1
42	35549	Ring Set (.020" OS)	1	223	650451	Screw	2
43	20381	Piston Pin Retaining Ring	2	224	36786	Intake Pipe Gasket	1
45	36777	Connecting Rod Ass'y. (Incl. 46)	1	238	650806	Screw	2
46	32610A	Connecting Rod Bolt	2	239	34338	Air Cleaner Gasket	1
48	27241	Valve Lifter	2	240	37115	Air Cleaner Body	1
50	37032	Camshaft (MCR)	1	245	37116	Air Cleaner Filter	1
52	29914	Oil Pump Ass'y.	1	245A	37117	Air Cleaner Filter	1
69	35261	Mounting Flange Gasket	1	250	37118	Air Cleaner Cover	1
70	36995	Mounting Flange (Incl. 72 thru 83)	1	260	37125	Blower Housing	1
72	36083	Oil Drain Plug	1	261	30200	Screw	2
75	27897	Oil Seal	1	262	650831	Screw	2
80	30574A	Governor Shaft	1	263A	36758	Starter Grill	1
81	30590A	Washer	1	275	36790	Muffler	1
82	30591	Governor Gear Ass'y. (Incl. 81)	1	277	650988	Screw	2
83	30588A	Governor Spool	1	285	35000A	Starter Cup	1
86	650488	Screw	6	287	650926	Screw	2
89	611004	Flywheel Key	1	290	34357	Fuel Line	1
90	611112	Flywheel	1	292	26460	Fuel Line Clamp	2
92	650815	Belleville Washer	1	300	35586	Fuel Tank (Incl. 292 & 301)	1
93	650816	Flywheel Nut	1	301	36246	Fuel Cap	1
100	34443B	Solid State Ignition	1	305	35577	Oil Fill Tube	1
101	610118	Spark Plug Cover	1	306	36996	"O" - Ring	1
103	651007	Screw, Torx T-15,	2	307	35499	"O" - Ring	1
110	37047	Ground Wire	1	309	650562	Screw	1
119	37028	Cylinder Head Gasket	1	310	36801	Dipstick	1
120	36788	Cylinder Head	1	313	34080	Spacer	1
125	36779	Exhaust Valve (Std.) (Incl. 151)	1	370A	36261	Lubrication Decal	1
				380	640118	Carburetor (Incl. 184)	1

ENGINE LEV100-345001B

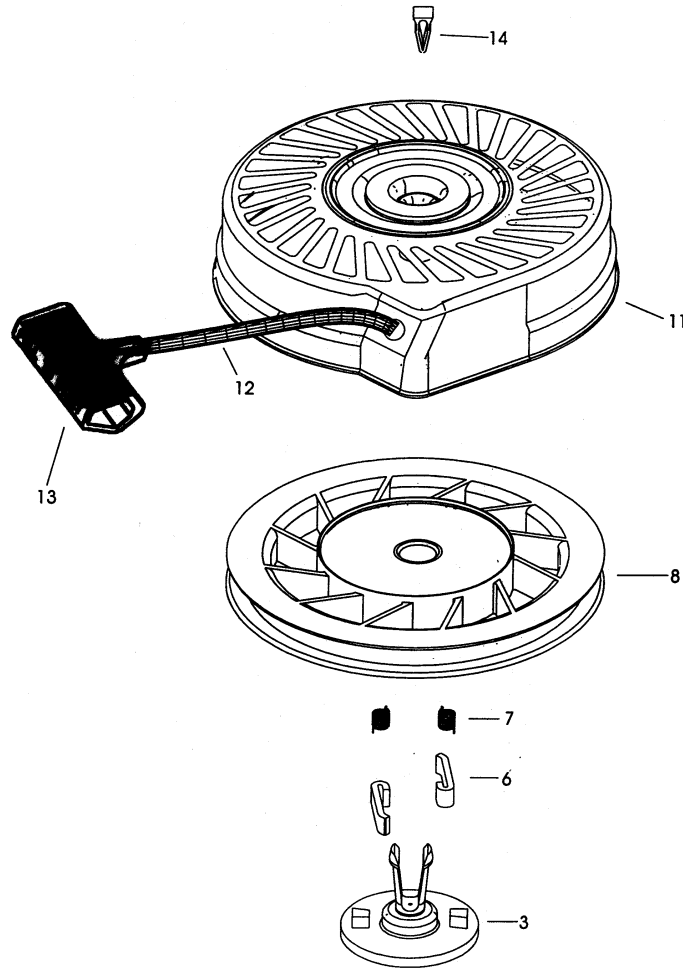
Ref. No.	Part No.	Description	No. Used
390	590694	Rewind Starter (NOTE: This engine could have been built with 590737 starter.	1
400	37029	Gasket Set (Incl. Items Marked PK in Notes) Incl. part #'s 26756 (1), 28833 (1) 34338 (1), 35261 (1), 36783 (1), 36786 (1) 36832 (1), 37128 (1).	1
416	36085	Spark Arrestor Kit (Incl. 417) (Optional)	1
417	650760	Screw (Optional)	1
420	730225	SAE 30 4-Cycle Engine Oil	

Ref. No.	Part No.	Description	No. Used
		(Quart)	1



RECOIL STARTER ASSEMBLY 590694

Ref. No.	Part No.	Description	No. Used	Ref. No.	Part No.	Description	No. Used
0	590694	Recoil Starter	1	8	590700	Pulley & Rewind Spring Ass'y.	1
1	590599A	Spring Pin (Incl. 4)	1	11	590695	Starter Housing Ass'y (40 degree grommet)	1
2	590600	Washer	1	12	590535	Starter Rope (98" X 9/64" dia.)	1
3	590696	Retainer	1	13	590701	Starter Handle	1
4	590601	Washer	2				
5	590697	Brake Spring	1				
6	590698	Starter Dog	2				
7	590699	Dog Spring	2				



RECOIL STARTER ASSEMBLY 590737 (Optional)

Ref. No.	Part No.	Description	No. Used	Ref. No.	Part No.	Description	No. Used
0	590737	Rewind Starter	1	11	590637A	Starter Housing Ass'y (40 degree grommet)	1
3	590740	Retainer	1	12	590535	Starter Rope (Length 98" x 9/64" dia.)	1
6	590616	Starter Dog	2	13	590701	Starter Handle	1
7	590617	Dog Spring	2	14	590741	Locking Tab	1
8	590618A	Pulley & Rewind Spring Ass'y	1				

Lawn-Boy Part Number Index

Part No.	Page No.	Ref. No.	Qty.	Description
603164	3	19	1	Nut-Blade
612543	3	17	1	Blade-21" Whirl
613765	1	11	1	Nut-Cage
614249	4	33	2	Tie Strap
614643	4	19	1	Handle Section-Lower
614672	1	21	2	Bolt-Shoulder
614677	1	9	2	Screw-Sems
614687	1	22	2	Spring Arm-Front
614697	4	2	2	Screw-Handle
677525	3	1	1	ASM-Plate & Collar
39-5770	2	15	1	Decal-Danger
40-1940	1	18	4	Washer
65-2690	3	14	1	Decal-Hot Surface
92-1005	1	3	2	ASM-Spring Arm
92-1008	1	23	4	Knob-Height Adjust
92-1097	2	16	1	Decal-Discharge
92-1099	1	20	4	Bolt-Shoulder
92-1701	3	7	1	Rope-Stop
92-2914	2	2	1	Decal-HOC
92-2915	2	1	1	Decal-HOC
92-4853	4	14	1	Handle-Starter
92-4881	1	14	2	Plate-Height Adjust
92-4890	1	15	4	Washer
92-5412	4	8	1	Stop-Pivot
92-5424	4	21	1	Staple-Handle
92-7731	1	16	2	Plate-Baffle
92-7742	1	6	1	RH Handle Bracket ASM
92-7743	1	4	1	ASM-Handle Brkt
92-8630	1	8	1	Mulch Plate-21"
92-8647	2	20	1	Shield-Trailing
93-3653	4	32	1	Handle-Guard
93-4184	4	12	1	Bail-Flywheel Brake
93-7250	2	10	1	Decal-Warning
93-7383	4	16	1	Guide-Rope
94-1610	1	10	2	Grommet-Plastic
94-6066	3	15	1	Guard-Muffler
95-1713	4	13	1	Handle Section-Upper
95-1726	3	3	3	Screw-Engine Mount
95-7403	1	17	4	Bracket-Wheel Height Adj
95-7436	1	19	2	ASM-Wheel & Tire 6"
95-7437	1	2	2	ASM-Wheel
95-7448	3	8	1	Decal-Shroud Top
98-1560	4	18	1	ASM-Brake Cable
98-1566	3	10	1	Decal-Deck
98-1593	3	23	1	Applique
98-4471	1	5	1	ASM-Housing & Baffle
98-7134	4	3	2	Knob
98-8332	1	7	1	Knob-Cover Plate
321-50	4	15	1	Screw
322-3	2	21	4	Screw-HH
3296-29	2	19	4	Nut-Lock
3296-39	1	24	2	Nut-Lock
3296-73	4	4	1	Nut-Lock
32144-85	3	13	1	Screw-HH

MAINTENANCE RECORD

Date								

MAINTENANCE RECORD

Date									