



Count on it.

Parts Catalog

**ProCore® SR54-S
Aerator**

Model No. 09932—Serial No. 318000001 and Up



Ordering Replacement Parts

To order replacement parts, please supply the part number, the quantity, and the description of each part desired.

Understanding Reference Numbers

Each identified part in an illustration has a reference number. The reference number for a part also appears in the parts list, along with other information about the part.

This catalog uses two special reference number formats, one to indicate parts in a service assembly and another to indicate the quantity of a given part in an illustration.

Service Assembly Reference Numbers

Parts in service assemblies have reference numbers in the form a:b. The a represents the reference number of the entire service assembly and the b represents a sequential number unique to each part within the service assembly.

For example, a wheel assembly might be identified by reference number 6, the tire by 6:1, the valve by 6:2, and the wheel by 6:3. When you order the assembly identified by reference number 6, you receive all parts identified by reference numbers 6:1, 6:2, and 6:3. However, you may also order any part individually. Reference numbers of this type appear in illustration and in parts lists.

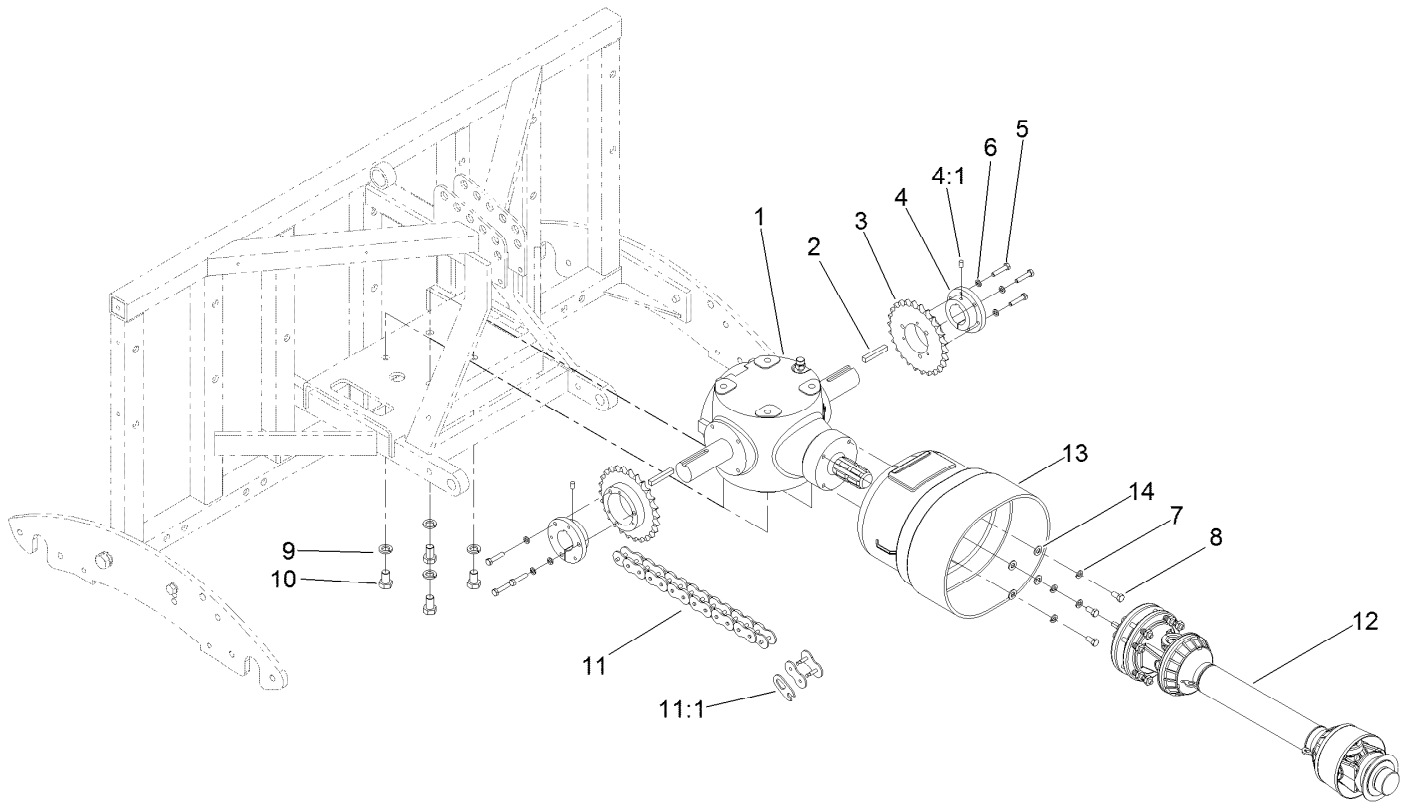
Reference Numbers Indicating Quantity

In an illustration, if a reference number indicates more than one part, the reference number has the form nX y. The n represents the quantity of the part, the X is the multiplication symbol, and the y represents the reference number.

For example, in an illustration, the reference number 2X 37 means that two of the parts identified by reference number 37 are indicated.

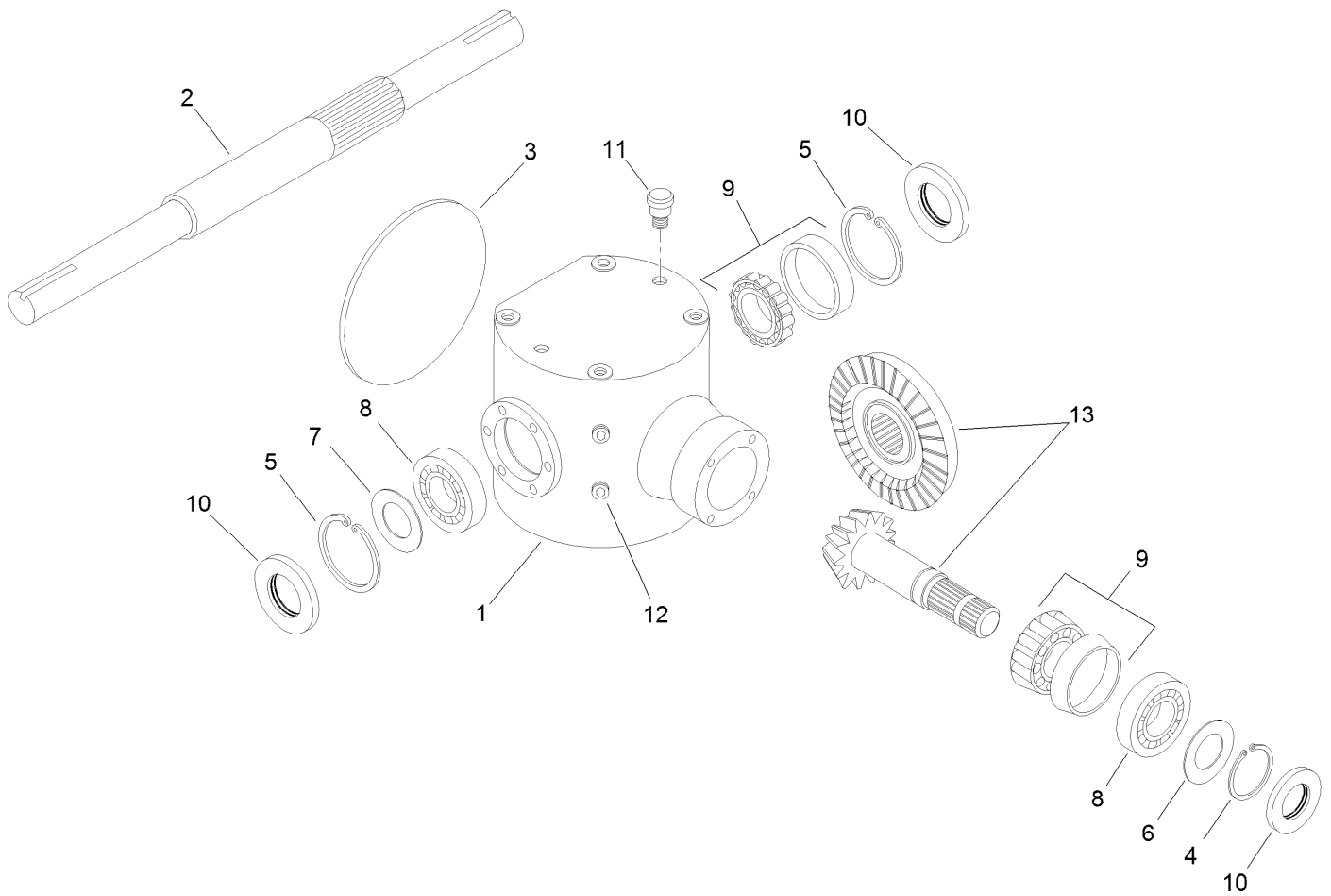
Contents

Drive Assembly	4
Gearbox Assembly No. SG507000-03	5
PTO Shaft Assembly No. 137-7322	6
Frame and Roller Assembly	7
LH Crankshaft Assembly	8
Center Crankshaft Assembly	9
RH Crankshaft Assembly	10
Idler Assembly	11
Connecting Rod Assembly	12
Hinge Assembly	13
Linkage Arm Assembly	14
Head and Spring Assembly	15
Screen and Hood Assembly	16
Rear Guard Assembly	17
Attachments and Accessories	18



Drive Assembly

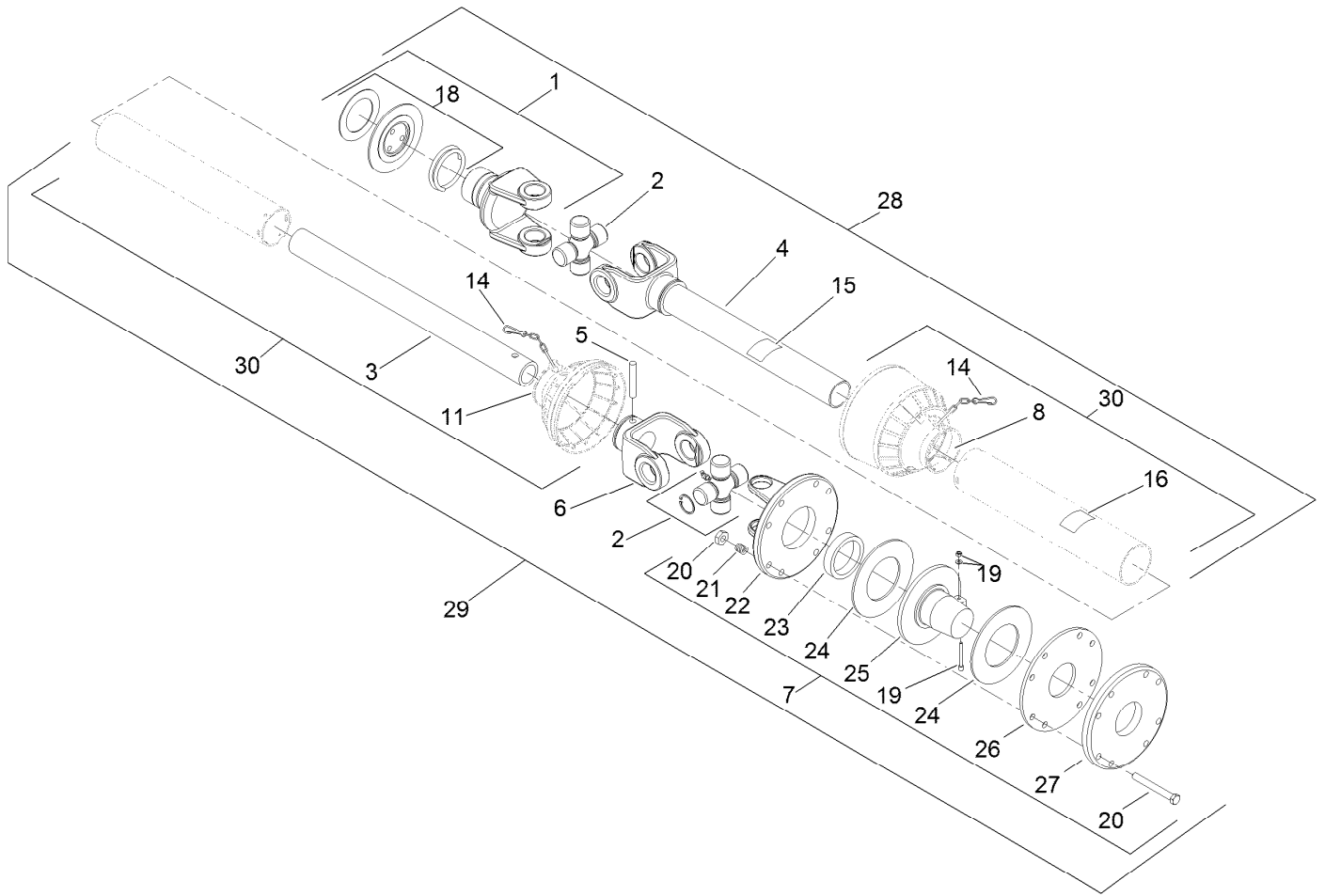
<i>Ref.</i>	<i>Part Number</i>	<i>Qty.</i>	<i>Description</i>	<i>Ref.</i>	<i>Part Number</i>	<i>Qty.</i>	<i>Description</i>
1	SG507000-03	1	Gearbox	8	323-4	4	Screw-HH
2	80-6140	2	Key-Square	9	3253-8	4	Washer-Lock
3	SG517026	2	Gearbox-Sprocket	10	327-3	4	Screw-HH
4	SG527054	2	Sprocket-Hub	11	SG580154	2	Chain-O-Ring
4:1	3246-4	1	Screw-Set	11:1	SG581083	1	Link-Master
5	5-1470	6	Screw-HH	12	137-7322	1	PTO Shaft Assembly
6	3253-4	6	Washer-Lock	13	SG4170401	1	Cone-Shaft
7	3253-21	4	Washer-Lock	14	3256-24	4	Washer-Flat



Gearbox Assembly No. SG507000-03

Ref.	Part Number	Qty.	Description
1		1	Housing-Gearbox ●
2	119-3236	1	Shaft-Output
3	119-3222	1	Cover-Housing, Gearbox
4	119-3224	1	Circlip-External
5	119-3225	2	Circlip-External
6	119-3226	1	Shim Kit
7	119-3227	1	Shim Kit
8	119-3228	2	Bearing-Ball
9	119-3230	2	Bearing-Roller Gearbox
10	119-3231	3	Seal-Oil
11	119-3218	1	Plug-Breather
12	119-3219	3	Plug-HSH
13	119-3232	1	Gear-Bevel, Gearbox

● Not serviced separately

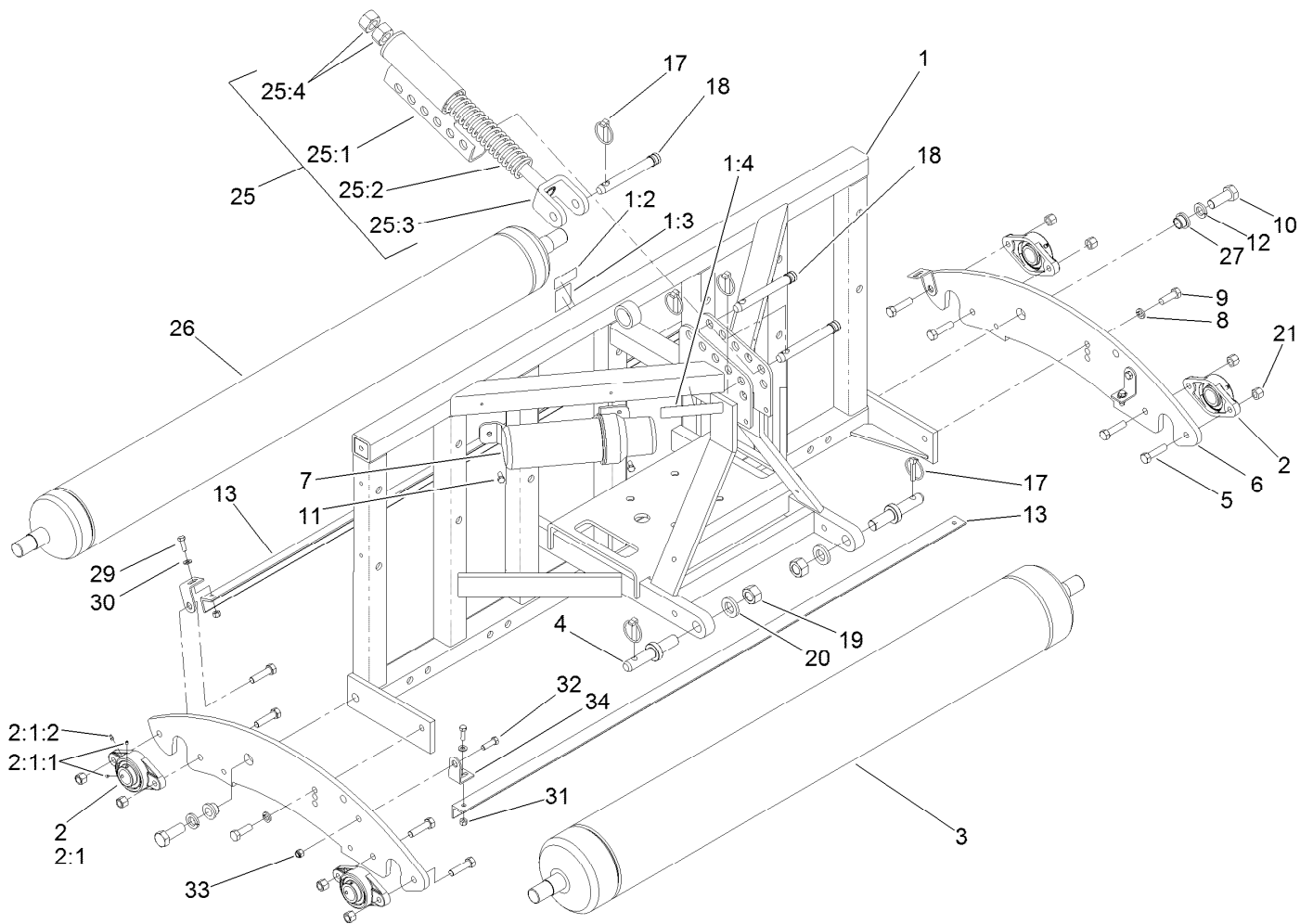


PTO Shaft Assembly No. 137-7322

Ref.	Part Number	Qty.	Description	Ref.	Part Number	Qty.	Description
1	119-3100	1	Yoke-Tractor Side	19	119-3118	1	Screw And Nut ASM
2	136-3932	2	Cross And Bearing Kit	20	119-3119	1	Bolt And Nut ASM
3		1	Tube-Inner (Male PTO #4) ■	21	119-3120	8	Spring
4		1	Yoke W/ Tube #4 ■	22		1	Yoke-Flange ■
5	119-3104	1	Pin-Roll	23		1	Bushing ■
6		1	Tube-Inner, Yoke #4 ■	24	119-3123	2	Plate-Clutch
7	119-3106	1	Clutch ASM	25	119-3124	1	Hub
8		1	Support-Shield,Outer ■	26	119-3125	1	Plate-Pressure
11		1	Support-Shield,Inner ■	27	119-3126	1	Plate-Pressure, PTO
14	119-3113	2	Chain-Safety	28	136-3938	1	Half Shaft ASM
15	119-3114	1	Decal-Danger	29	136-3939	1	Half Shaft ASM
16	119-3115	1	Decal-Danger	30	136-3940	1	Complete Shield ASM
17	136-3937	1	Booklet-Instruction, Usa ●	31	136-3935	6	Screw-Self TAP ●
18	119-3117	1	Ball And Collar Kit				

● Not illustrated

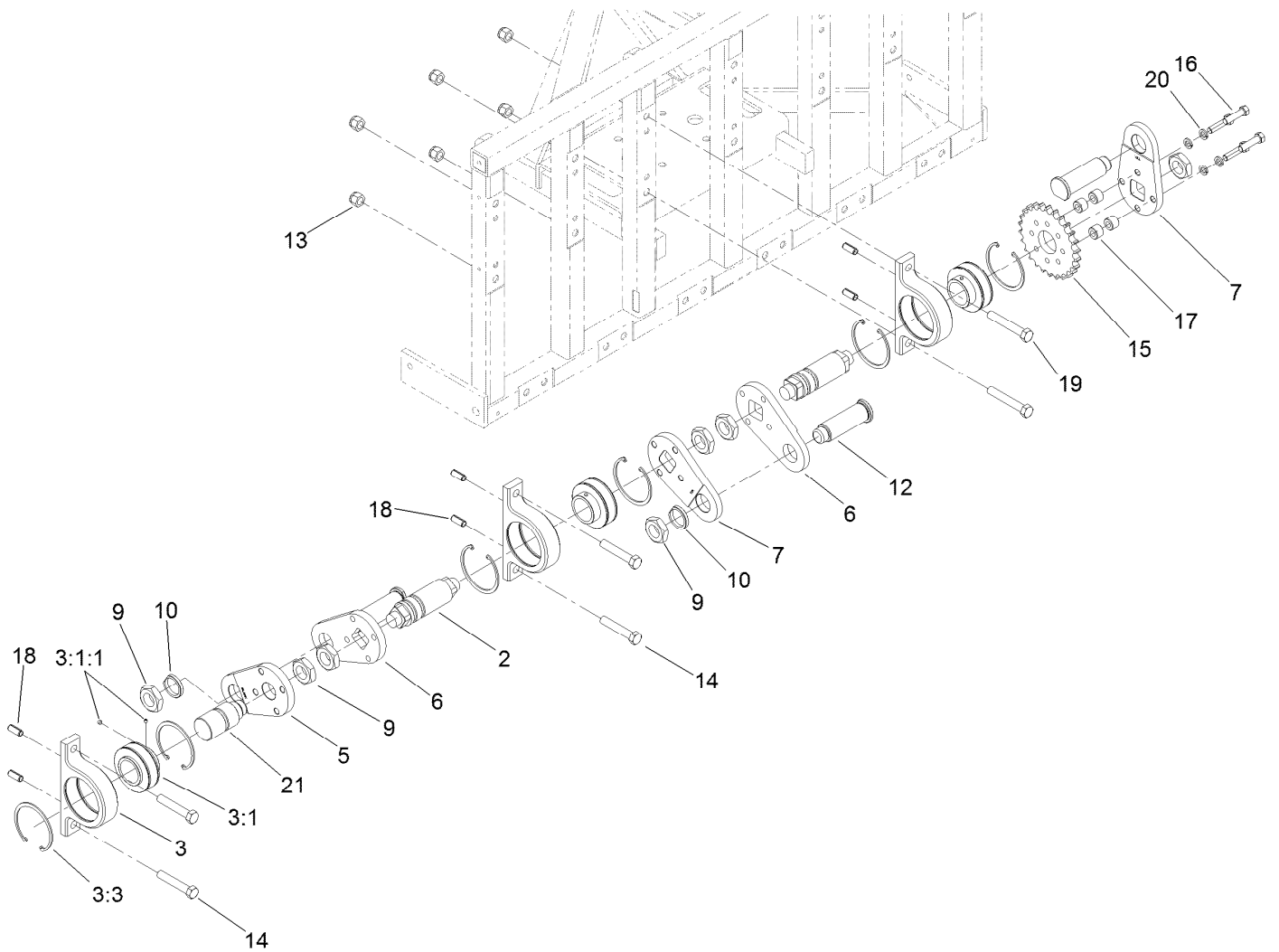
■ Not serviced separately



Frame and Roller Assembly

Ref.	Part Number	Qty.	Description	Ref.	Part Number	Qty.	Description
1	120-1055	1	Frame ASM	13	SG678917-03	2	Angle-Scraper
1:2	117-7052	1	Decal-No Oil	17	100-5389	5	Pin-Lynch
1:3	100-3612	1	Decal-Warning	18	SG715450	3	Pin-Link, Top
1:4	127-4235	1	Decal-Warning, PTO	19	3219-18	2	Nut-Hex
2	SG637070-03	4	Bearing-Roller	20	104-8322	2	Washer-Hardened
2:1		1	Bearing-Flange ●	21	3296-23	8	Nut-Lock, NI
2:1:1	3245-35	2	Screw-Set, HSH	25	SG115070	1	Top Link Spring ASM
2:1:2	302-19	1	Fitting-Grease	25:1	117-7137-03	1	Link-Adapter, Top
3	SG627054-03	1	Roller-Main	25:2	SG330080-03	1	Spring-Top Link
4	110-4314	2	Pin-Link, Cat 2	25:3	117-7136-03	1	Bracket-Spring Rod
4	110-4315	2	Pin-Link, Cat 1	25:4	SG330081	2	Nut-Hex
5	SG271517	8	Screw-HH	26	SG627050-03	1	Roller-Back, 5 Inch
6	SG639070-01	2	Boot-Roller, Double	27	SG639073	2	Bushing-Flange
7	SG999018	1	Canister-Manual, Operators	29	322-5	4	Screw-HH
8	3253-7	2	Washer-Lock	30	3256-23	4	Washer-Plain
9	325-6	2	Screw-HH	31	3296-29	4	Nut-Lock, NI
10	328-24	2	Screw-HH	32	323-7	2	Screw-HH
11	322-3	2	Screw-HH	33	3296-39	2	Nut-Lock, NI
12	3253-9	2	Washer-Lock	34	119-0955-03	4	Clip-Scraper

● Not serviced separately

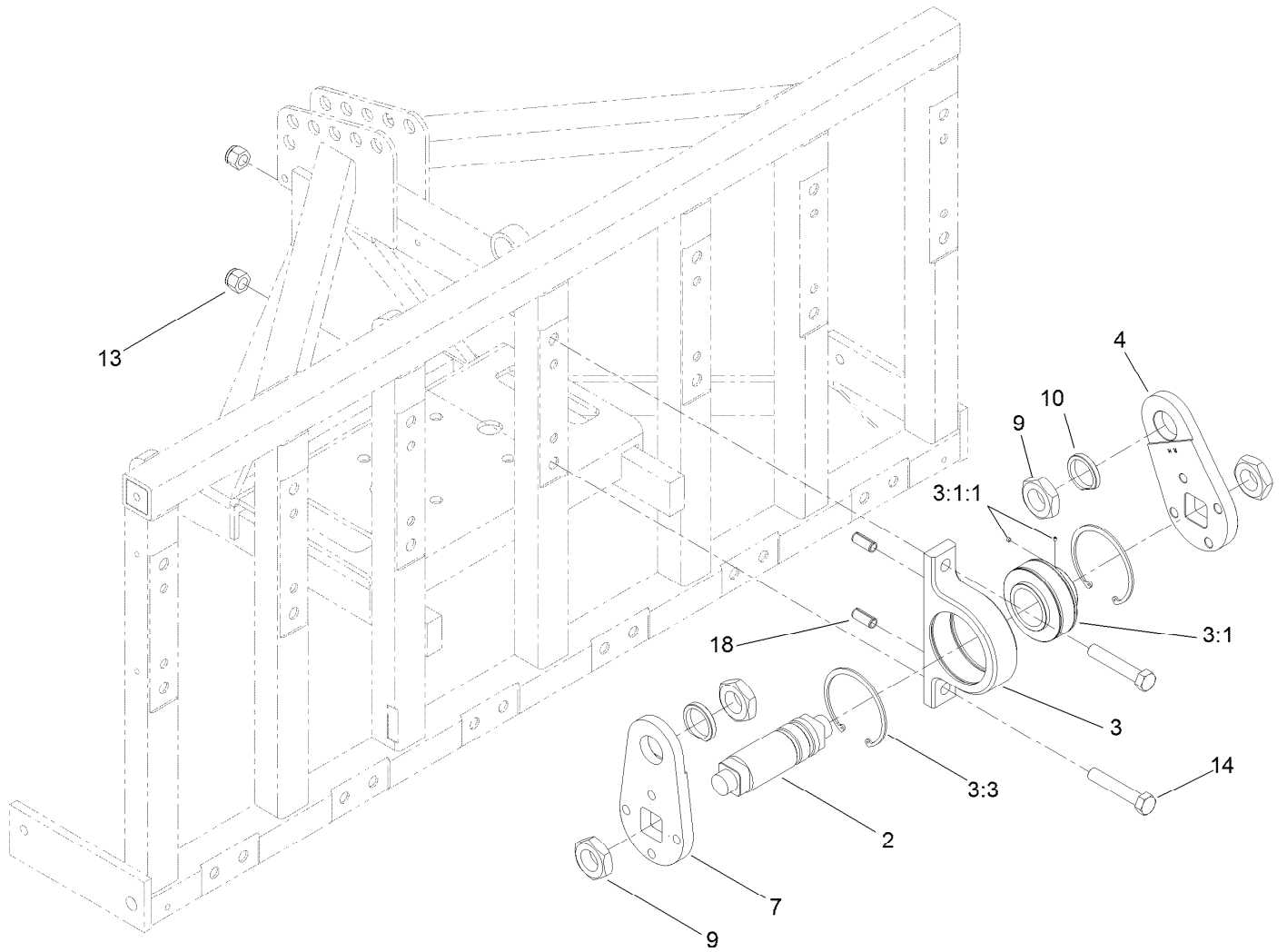


LH Crankshaft Assembly

Ref.	Part Number	Qty.	Description
2	SG217354	2	Crankshaft
3	121-6905	3	Main Bearing Housing ASM
3:1		1	Bearing-Ball ●
3:1:1	99-0195	2	Screw-Set, HSH
3:3	SG427540	2	Ring-Retaining
5	SG207054	1	Arm-Crank
6	SG217254	2	Arm-Crank, Left
7	SG217054	2	Arm-Crank
9	SG267200	7	Nut-Hex
10	SG247540	2	Washer-Clipped

Ref.	Part Number	Qty.	Description
12	SG257054	3	Pin-Crank
13	3296-53	6	Nut-Lock, NI
14	327-14	4	Screw-HH
15	SG217026	1	Sprocket-Crank
16	SG271517	4	Screw-HH
17	SG267500	4	Spacer
18	105-1041	6	Pin-Spring
19	327-16	2	Screw-HH
20	3253-7	4	Washer-Lock
21	SG217557	1	Shaft-Stub, Outside

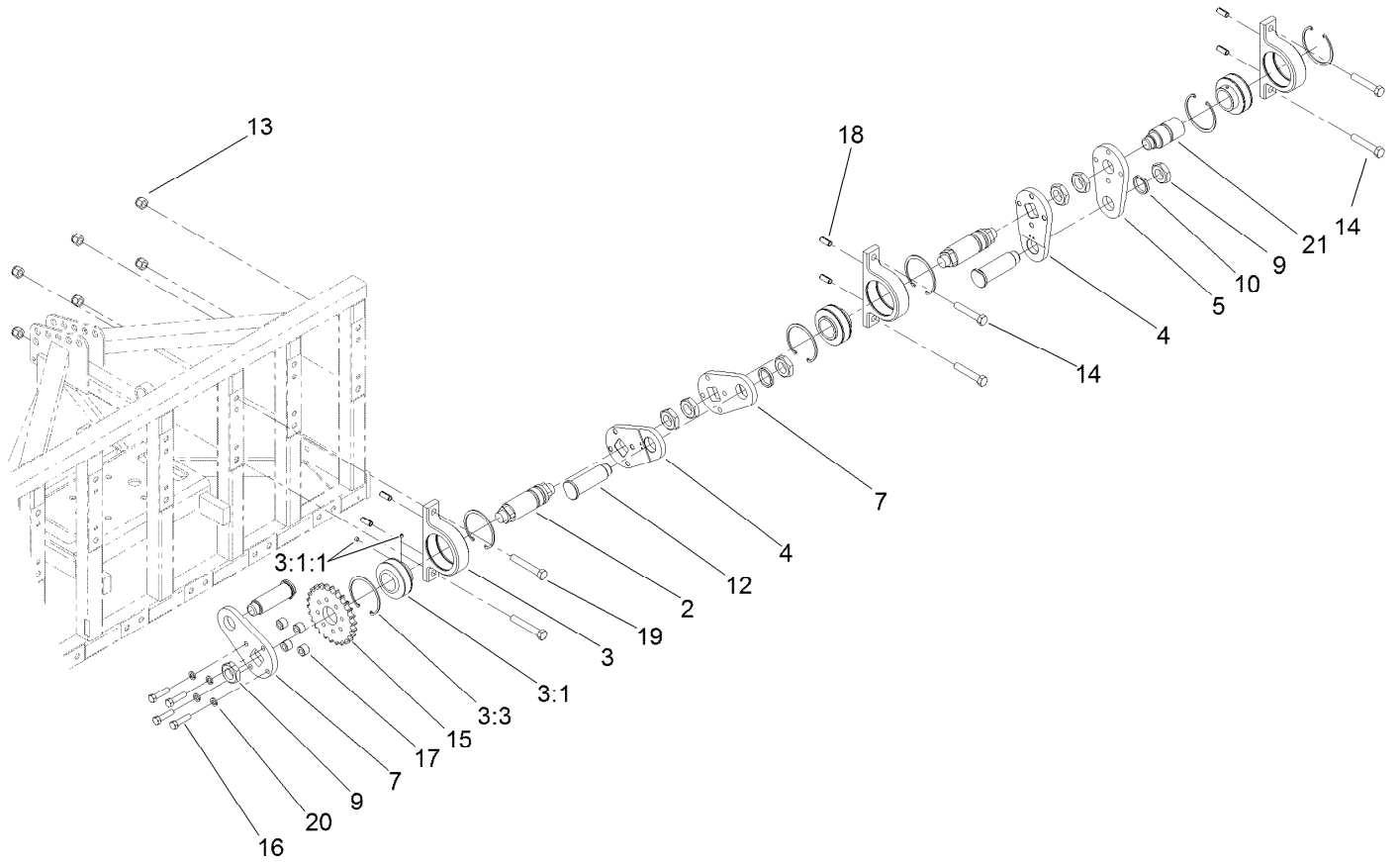
● Not serviced separately



Center Crankshaft Assembly

Ref.	Part Number	Qty.	Description
2	SG217354	1	Crankshaft
3	121-6905	1	Main Bearing Housing ASM
3:1		1	Bearing-Ball ●
3:1:1	99-0195	2	Screw-Set, HSH
3:3	SG427540	2	Ring-Retaining
4	SG217154	1	Arm-Crank, Right
7	SG217054	1	Arm-Crank
9	SG267200	4	Nut-Hex
10	SG247540	2	Washer-Clipped
13	3296-53	2	Nut-Lock, NI
14	327-14	2	Screw-HH
18	105-1041	2	Pin-Spring

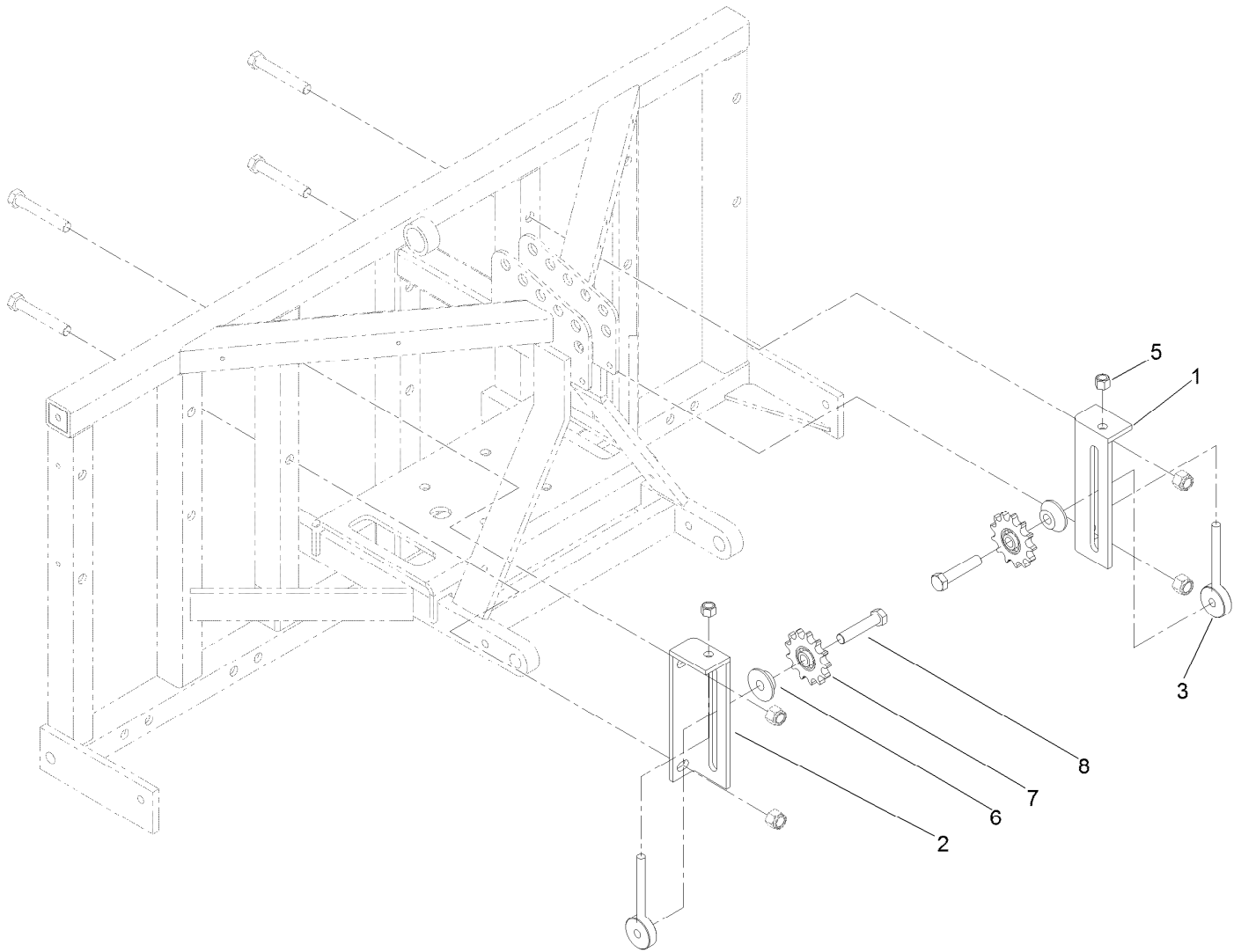
● Not serviced separately



RH Crankshaft Assembly

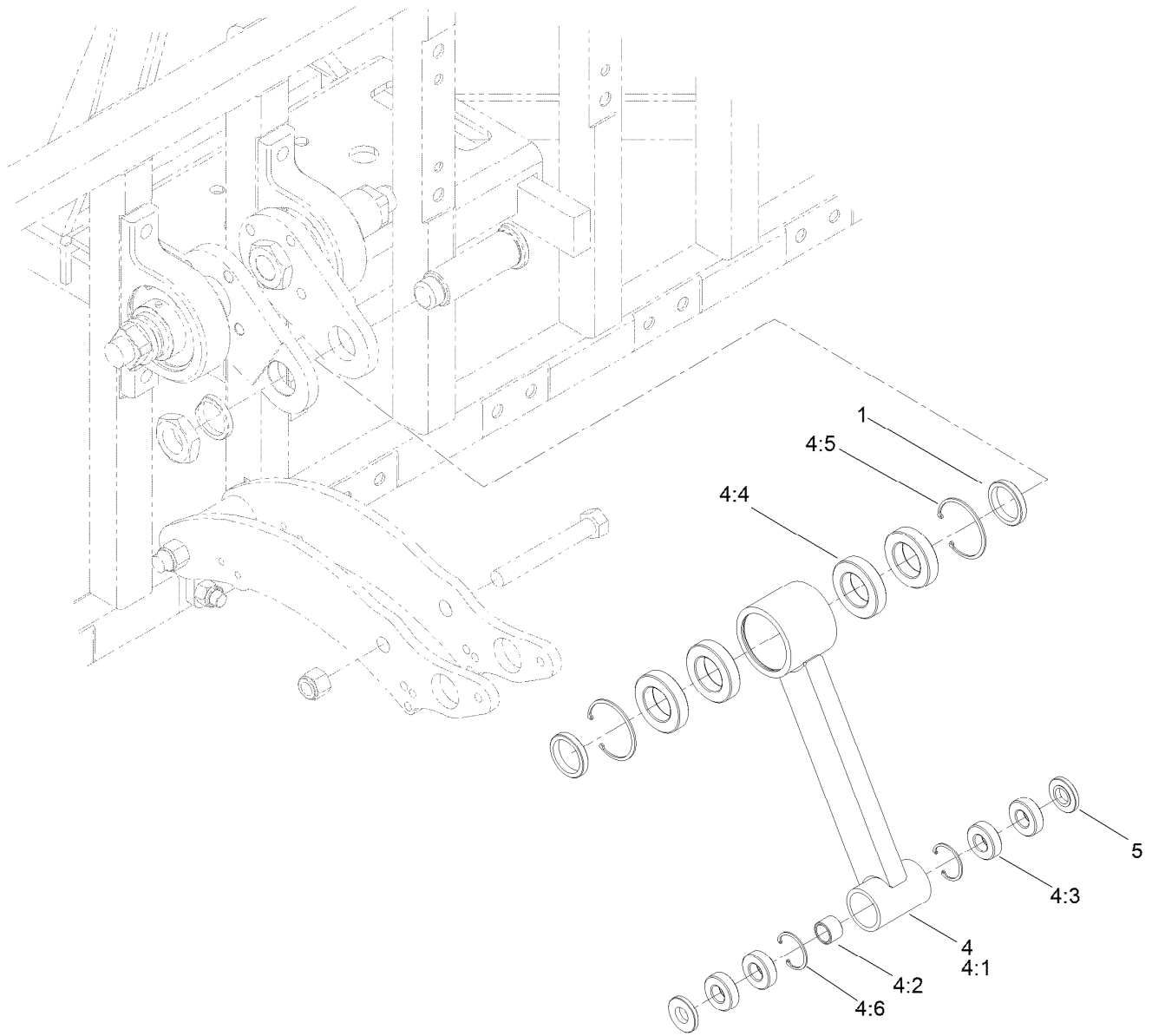
Ref.	Part Number	Qty.	Description	Ref.	Part Number	Qty.	Description
2	SG217354	2	Crankshaft	12	SG257054	3	Pin-Crank
3	121-6905	3	Main Bearing Housing ASM	13	3296-53	6	Nut-Lock, NI
3:1		1	Bearing-Ball ●	14	327-14	4	Screw-HH
3:1:1	99-0195	2	Screw-Set, HSH	15	SG217026	1	Sprocket-Crank
3:3	SG427540	2	Ring-Retaining	16	SG271517	4	Screw-HH
4	SG217154	2	Arm-Crank, Right	17	SG267500	4	Spacer
5	SG207054	1	Arm-Crank	18	105-1041	6	Pin-Spring
7	SG217054	2	Arm-Crank	19	327-16	2	Screw-HH
9	SG267200	7	Nut-Hex	20	3253-7	4	Washer-Lock
10	SG247540	2	Washer-Clipped	21	SG217557	1	Shaft-Stub, Outside

● Not serviced separately



Idler Assembly

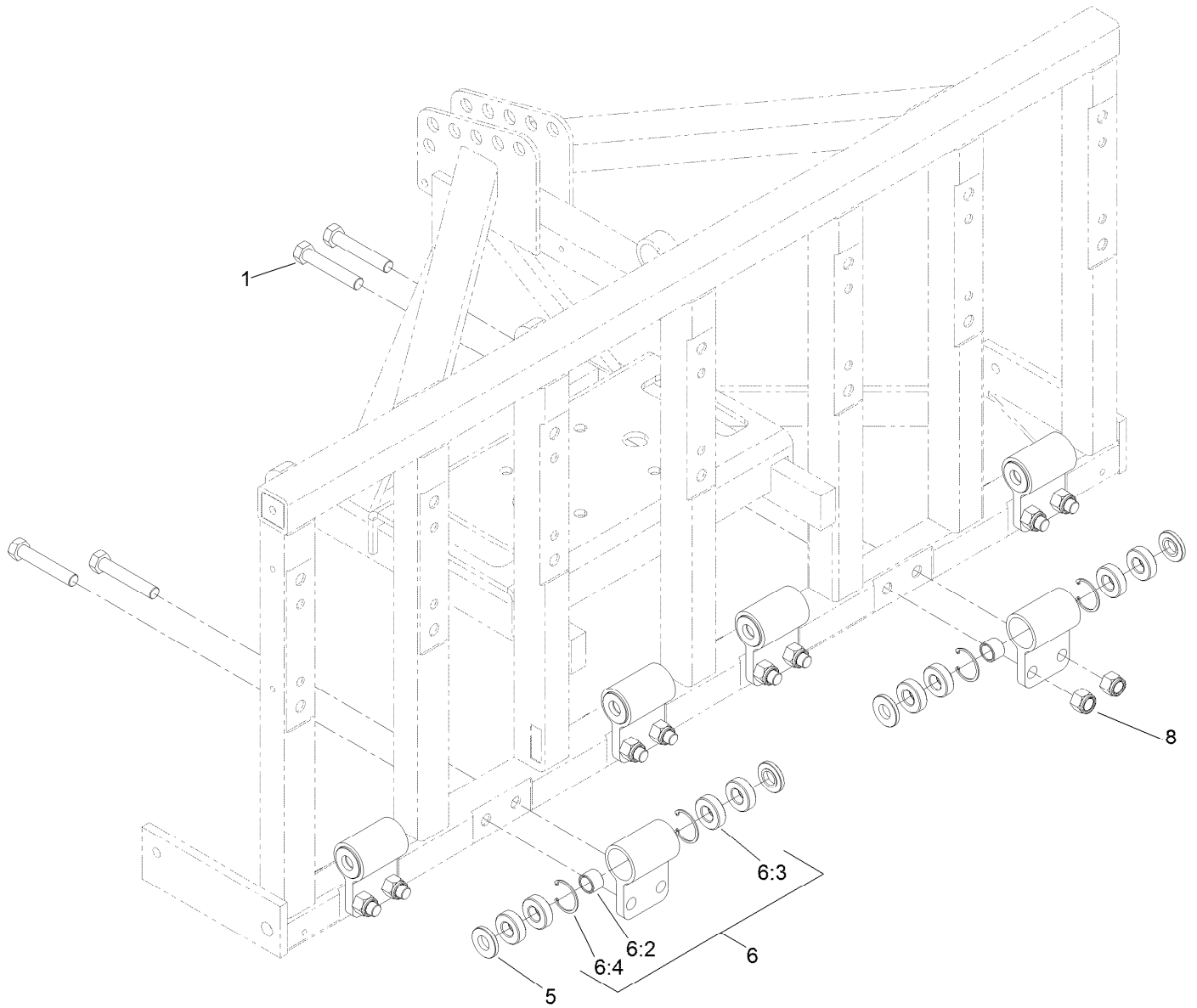
<i>Ref.</i>	<i>Part Number</i>	<i>Qty.</i>	<i>Description</i>
1	SG587054-03	1	Bracket-Idler
2	SG597054-03	1	Bracket-Idler
3	SG587202	2	Rod-Idler
5	3296-23	2	Nut-Lock, NI
6	SG537500	2	Spacer-Offset
7	SG517054	2	Sprocket-Idler
8	327-9	2	Screw-HH



Connecting Rod Assembly

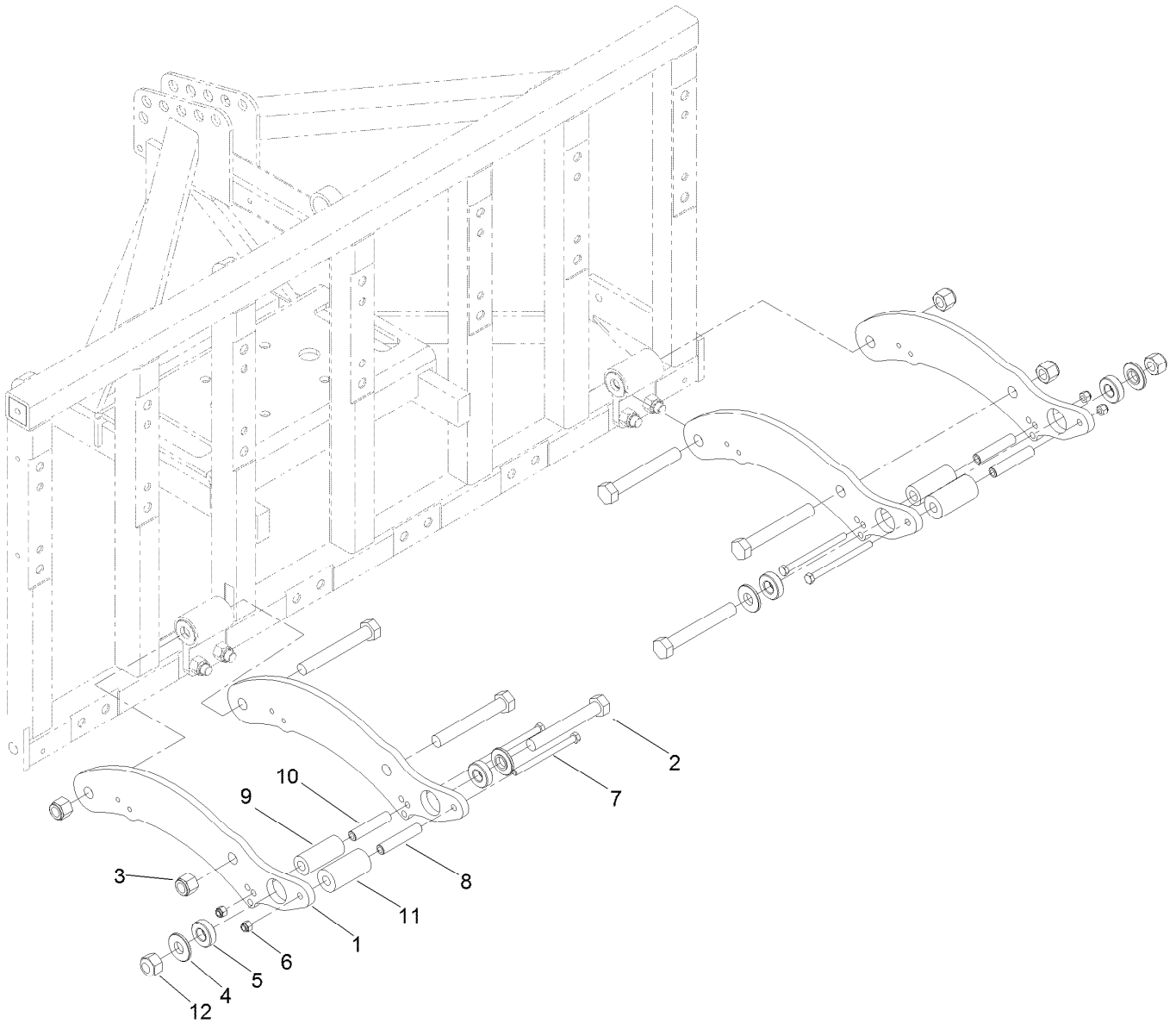
Ref.	Part Number	Qty.	Description
1	SG337100	12	Bushing-Outer
4	SG135154	6	Connecting Rod ASM
4:1		1	Rod-Connecting ●
4:2	SG337010	1	Bushing-Inner
4:3	SG337075	4	Bearing-Ball
4:4	SG337590	4	Bearing-Ball
4:5	SG427541	2	Ring-Retaining, Internal
4:6	SG427625	2	Ring-Retaining, Internal
5	SG337050	12	Bushing-Outer

● Not serviced separately



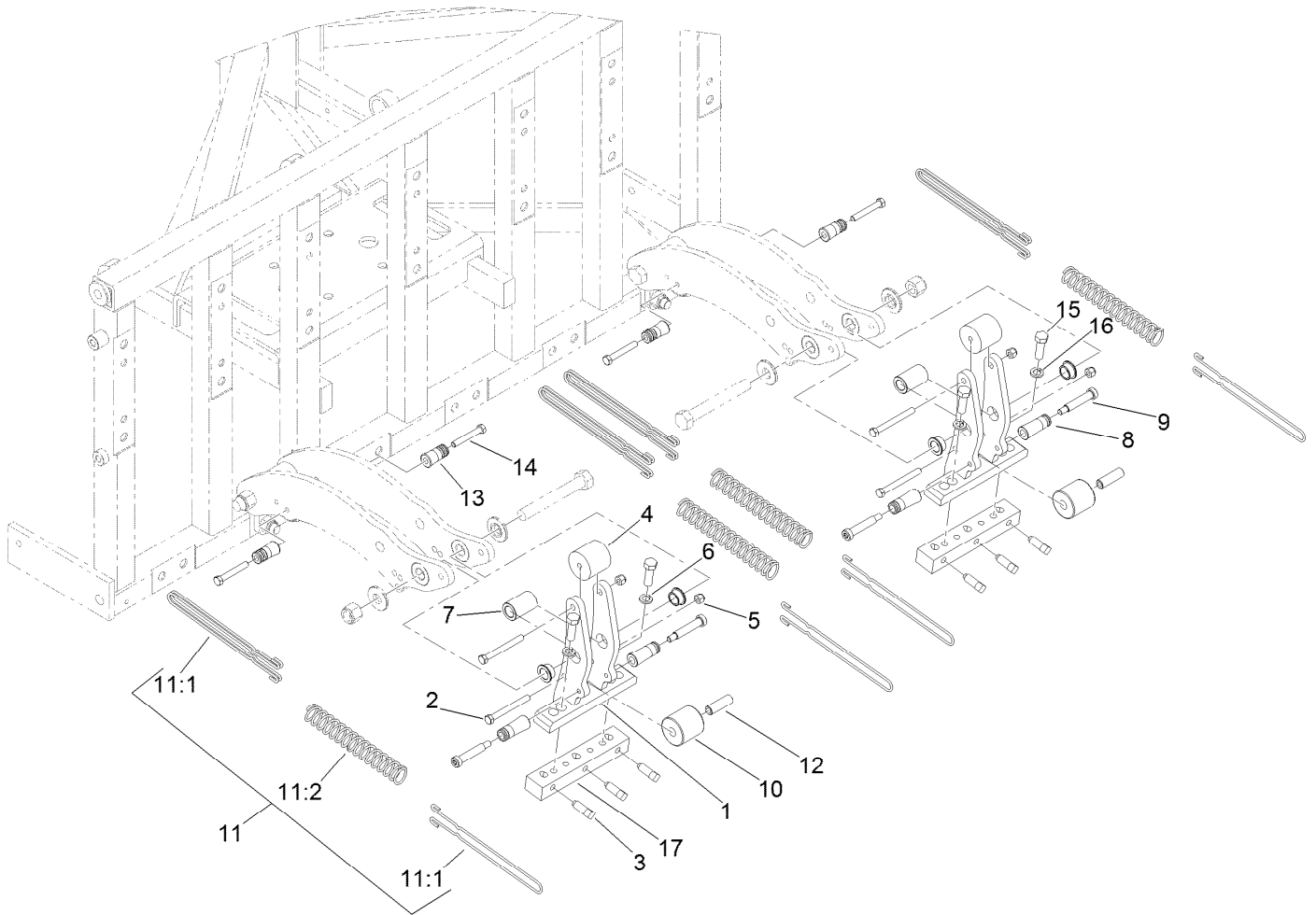
Hinge Assembly

<i>Ref.</i>	<i>Part Number</i>	<i>Qty.</i>	<i>Description</i>
1	327-14	12	Screw-HH
5	SG337050	12	Bushing-Outer
6	125-3312	6	Hinge ASM
6:2	SG337010	1	Bushing-Inner
6:3	SG337075	4	Bearing-Ball
6:4	SG427625	2	Ring-Retaining, Internal
8	3296-53	12	Nut-Lock, NI



Linkage Arm Assembly

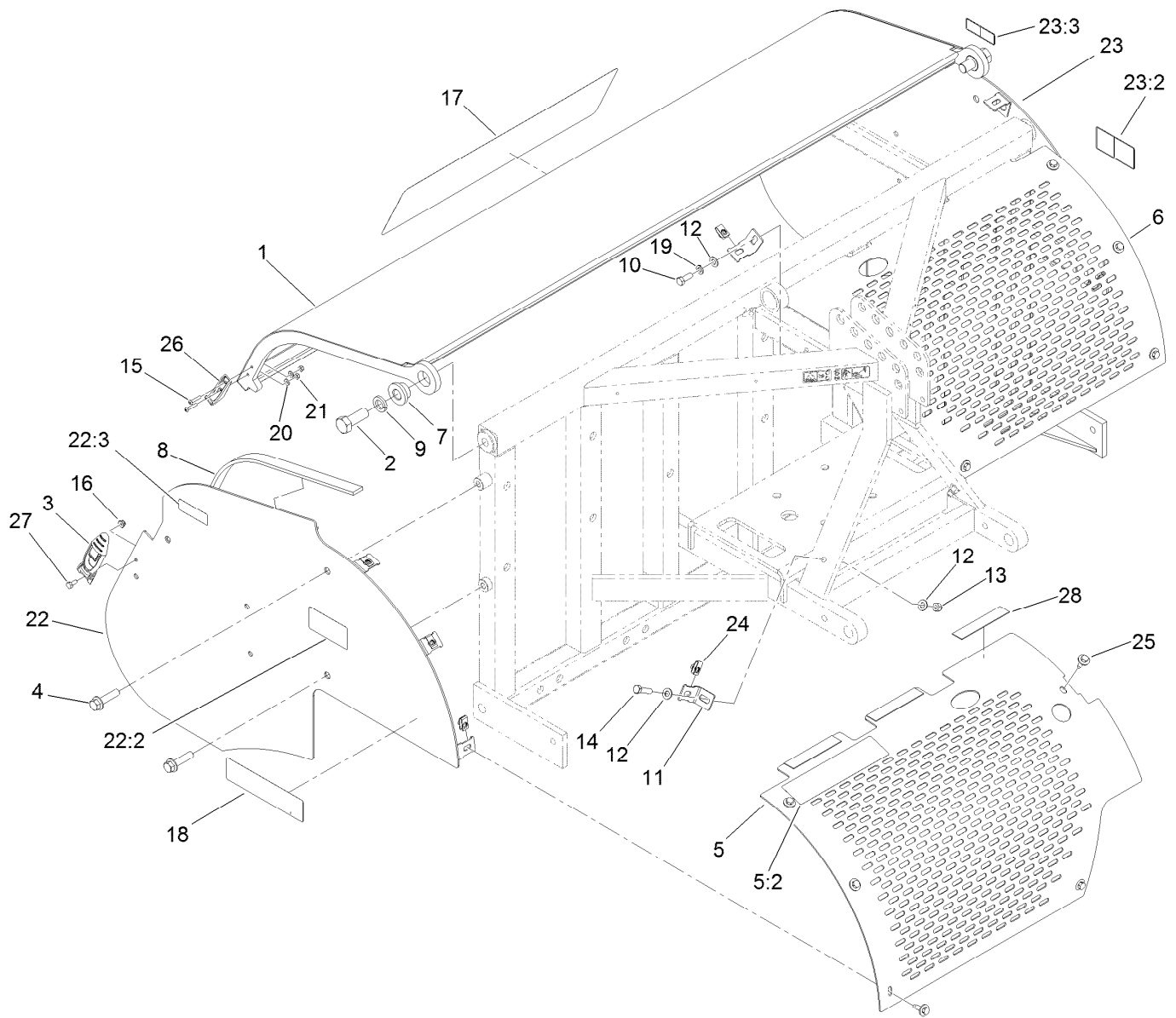
Ref.	Part Number	Qty.	Description
1	SG387055-03	12	Arm-Linkage, Arched
2	328-12	18	Screw-HH
3	3296-51	12	Nut-Lock, NI
4	SG437125	12	Bushing-Outer
5	SG337075	12	Bearing-Ball
6	3296-39	12	Nut-Lock, NI
7	323-21	12	Screw-HH
8	SG337300	6	Spacer-Linkage
9	SG487125	6	Bumper-Rubber
10	SG486312	6	Spacer-Arm, Linkage
11	SG487126	6	Bumper-Rubber
12	120-7252	6	Nut-Lock



Head and Spring Assembly

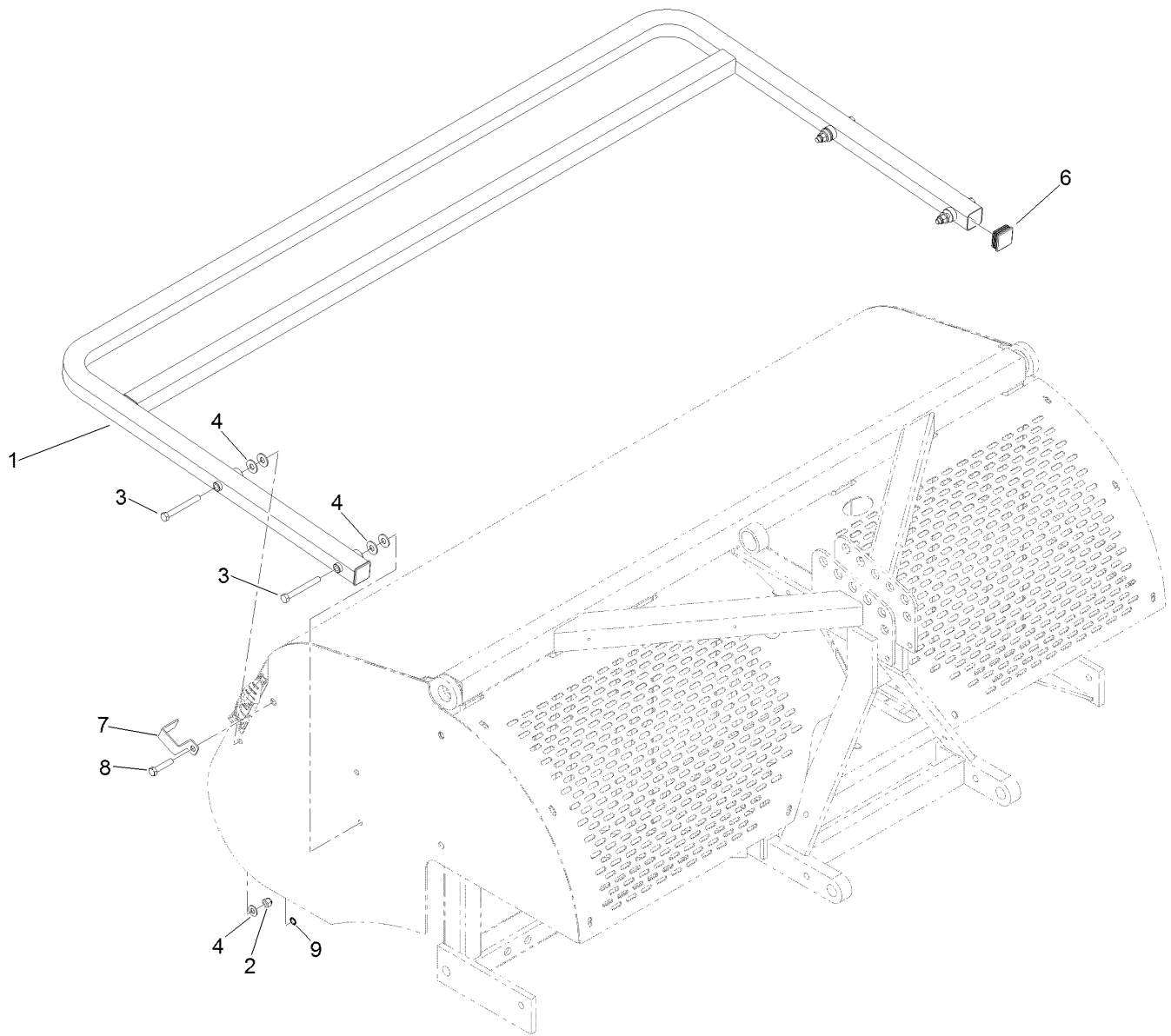
Ref.	Part Number	Qty.	Description	Ref.	Part Number	Qty.	Description
1	SG404070-03	6	Head-Tine	11		12	Spring ASM ●
2	323-15	12	Screw-HH	11:1	SG487256	3	Wire-Draw, Spring
3	SG477125	18	Screw-Set, SQH	11:2	SG487257	1	Spring-Compression
4	SG487200	6	Bumper-Head	12	SG486311	6	Tube-Metal, Head Bumper
5	3296-39	12	Nut-Lock, NI	13	SG449126-03	12	Post-Spring
6	SG447080	12	Bushing-Flanged	14	323-12	12	Screw-HH
7	SG437100-03	6	Spacer-Head	15	325-6	12	Screw-HH
8	SG449127-03	12	Post-Spring	16	3253-7	12	Washer-Lock
9	SG449129	12	Bolt-Shoulder	17	SGH08704-03	6	Head-Tine, Adapter
10	SG487201	6	Spacer-Plastic				

● Not serviced separately



Screen and Hood Assembly

Ref.	Part Number	Qty.	Description	Ref.	Part Number	Qty.	Description
1	119-3293-03	1	Hood ASM	18	117-7084	2	Decal
2	328-24	2	Screw-HH	19	3253-21	2	Washer-Lock
3	103-2898	2	Latch-Rubber	20	3256-14	4	Washer-Flat
4	3234-27	4	Screw-HHF	21	3296-2	4	Nut-Lock, NI
5	120-7255	1	Front Right Guard ASM	22	120-7256	1	RH Shield ASM
5:2	117-7050	1	Decal-Warning, CE	22:2	117-7051	1	Decal-Danger, Keep Away CE
6	117-7034-03	1	Guard-Front. LH	22:3	120-0625	1	Decal-Warning, Pinch Point
7	120-1021	2	Bushing-Hood	23	120-7257	1	LH Shield ASM
8	120-7273	2	Strip-Rubber	23:2	117-7051	1	Decal-Danger, Keep Away CE
9	3253-9	2	Washer-Lock	23:3	120-0625	1	Decal-Warning, Pinch Point
10	323-6	2	Screw-HH	24	94-2413	10	Nut-U
11	120-1011-03	4	Bracket-Shield	25	114-8418	10	Screw-HWH, Sems
12	3256-24	6	Washer-Flat	26	103-2897	2	Latch-Catch
13	3296-39	2	Nut-Lock, NI	27	321-3	2	Screw-HH
14	323-8	2	Screw-HH	28	120-1087	6	Strip-Rubber
15	108-3153	4	Screw-HSBH				
16	104-7201	2	Nut-HF				
17	117-7055	1	Decal				



Rear Guard Assembly

Ref.	Part Number	Qty.	Description
1	120-7266-03	1	Rear Guard ASM
2	3296-39	4	Nut-Lock, NI
3	323-20	4	Screw-HH
4	80-6990	12	Washer-Hardened
6	120-7261	2	Cap-End, Square
7	110-4673	2	Lock-Latch, CE
8	323-53	2	Screw-HH
9	32151-72	2	Ring-Retaining

Attachments and Accessories

For 09932 ProCore SR54-S Aerator

Product Name	Model/Part
Rear Roller Kit	09952
2x18mm Tine Head Adapter Kit	117-7194
2x12mm or 2x5/16-inch Tine Head Adapter Kit	117-7195
4x3/8-inch or 4x5/16-inch Tine Head Adapter Kit	117-7196
8x3/8-inch Tine Head Adapter Kit	117-7199

Notes:



Count on it.