



**Count on it.**

**Parts Catalog**

**ProCore® SR70-S  
Aerator**

Model No. 09934—Serial No. 318000001 and Up



# Ordering Replacement Parts

To order replacement parts, please supply the part number, the quantity, and the description of each part desired.

## Understanding Reference Numbers

Each identified part in an illustration has a reference number. The reference number for a part also appears in the parts list, along with other information about the part.

This catalog uses two special reference number formats, one to indicate parts in a service assembly and another to indicate the quantity of a given part in an illustration.

## Service Assembly Reference Numbers

Parts in service assemblies have reference numbers in the form a:b. The a represents the reference number of the entire service assembly and the b represents a sequential number unique to each part within the service assembly.

For example, a wheel assembly might be identified by reference number 6, the tire by 6:1, the valve by 6:2, and the wheel by 6:3. When you order the assembly identified by reference number 6, you receive all parts identified by reference numbers 6:1, 6:2, and 6:3. However, you may also order any part individually. Reference numbers of this type appear in illustration and in parts lists.

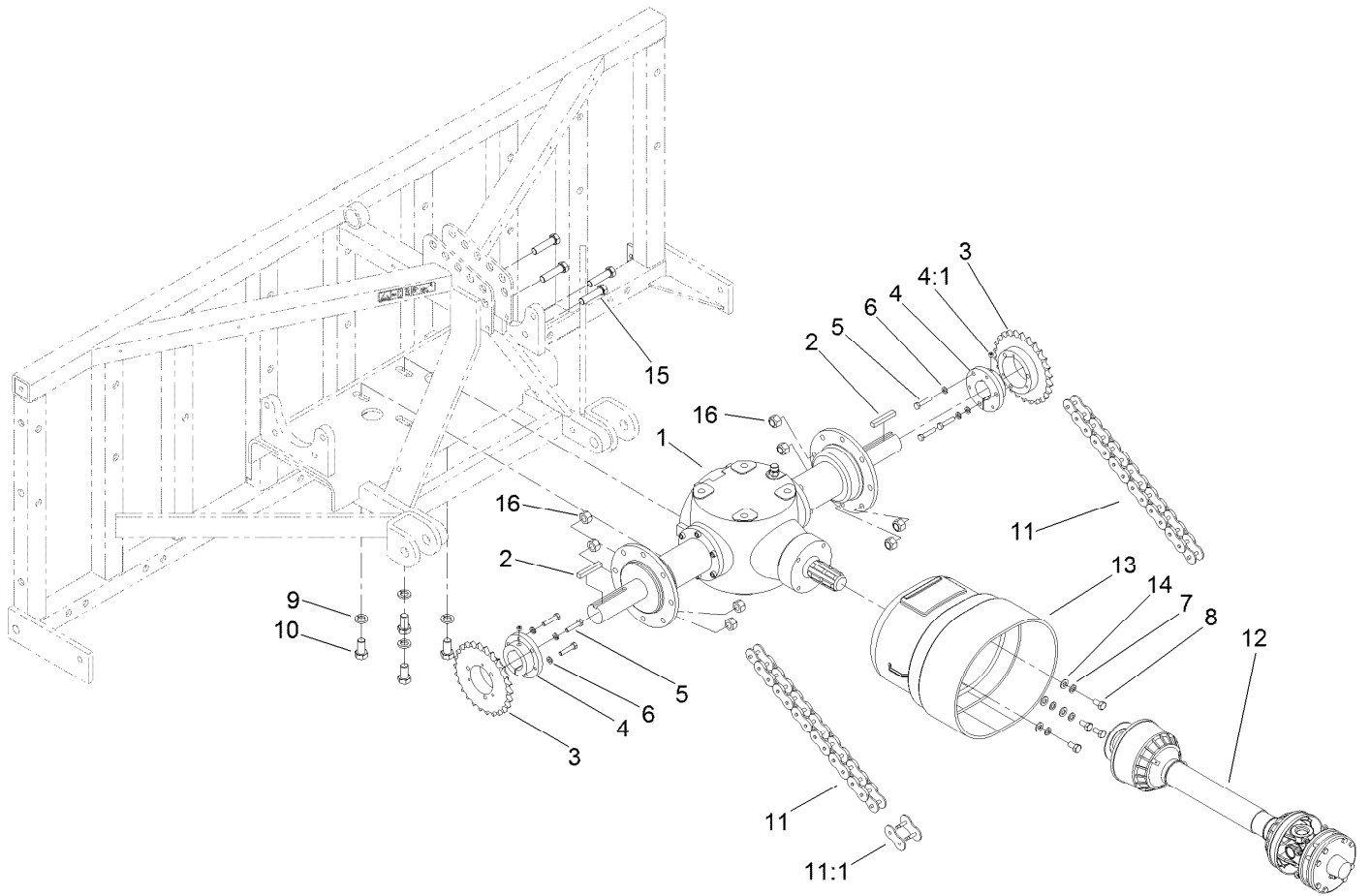
## Reference Numbers Indicating Quantity

In an illustration, if a reference number indicates more than one part, the reference number has the form nX y. The n represents the quantity of the part, the X is the multiplication symbol, and the y represents the reference number.

For example, in an illustration, the reference number 2X 37 means that two of the parts identified by reference number 37 are indicated.

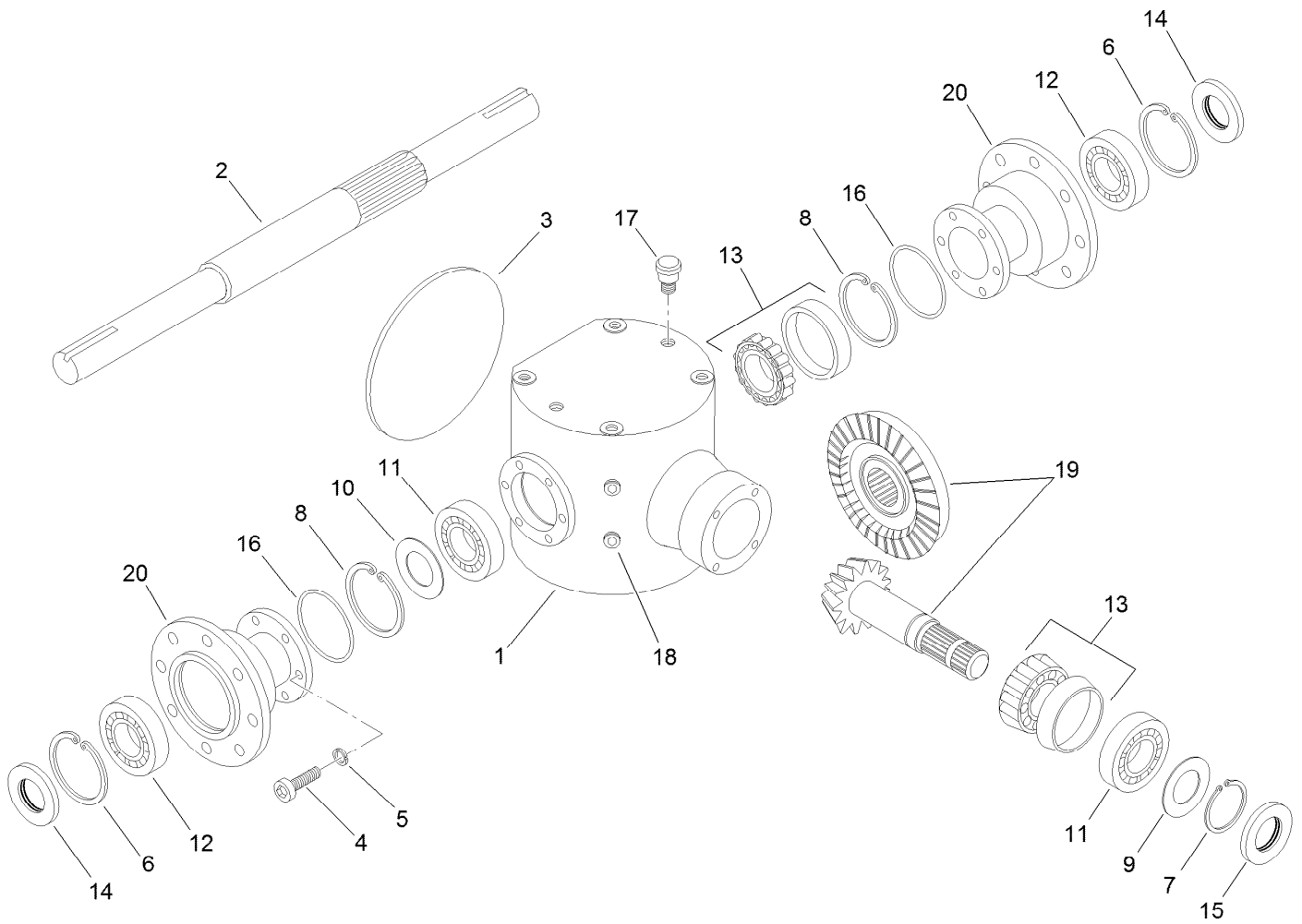
# Contents

Drive Assembly .....	4
Gearbox Assembly No. SG504000-03 .....	5
PTO Shaft Assembly No. 137-7323 .....	6
Frame and Roller Assembly .....	7
Left to Right Crankshaft Assembly .....	8
Center Crankshaft Assembly .....	9
Center to Right Crankshaft Assembly .....	10
Idler Assembly .....	11
Connecting Rod Assembly .....	12
Hinge Assembly .....	13
Linkage Arm Assembly .....	14
Head and Spring Assembly .....	15
Screen and Hood Assembly .....	16
Rear Guard Assembly .....	17
Attachments and Accessories .....	18



## Drive Assembly

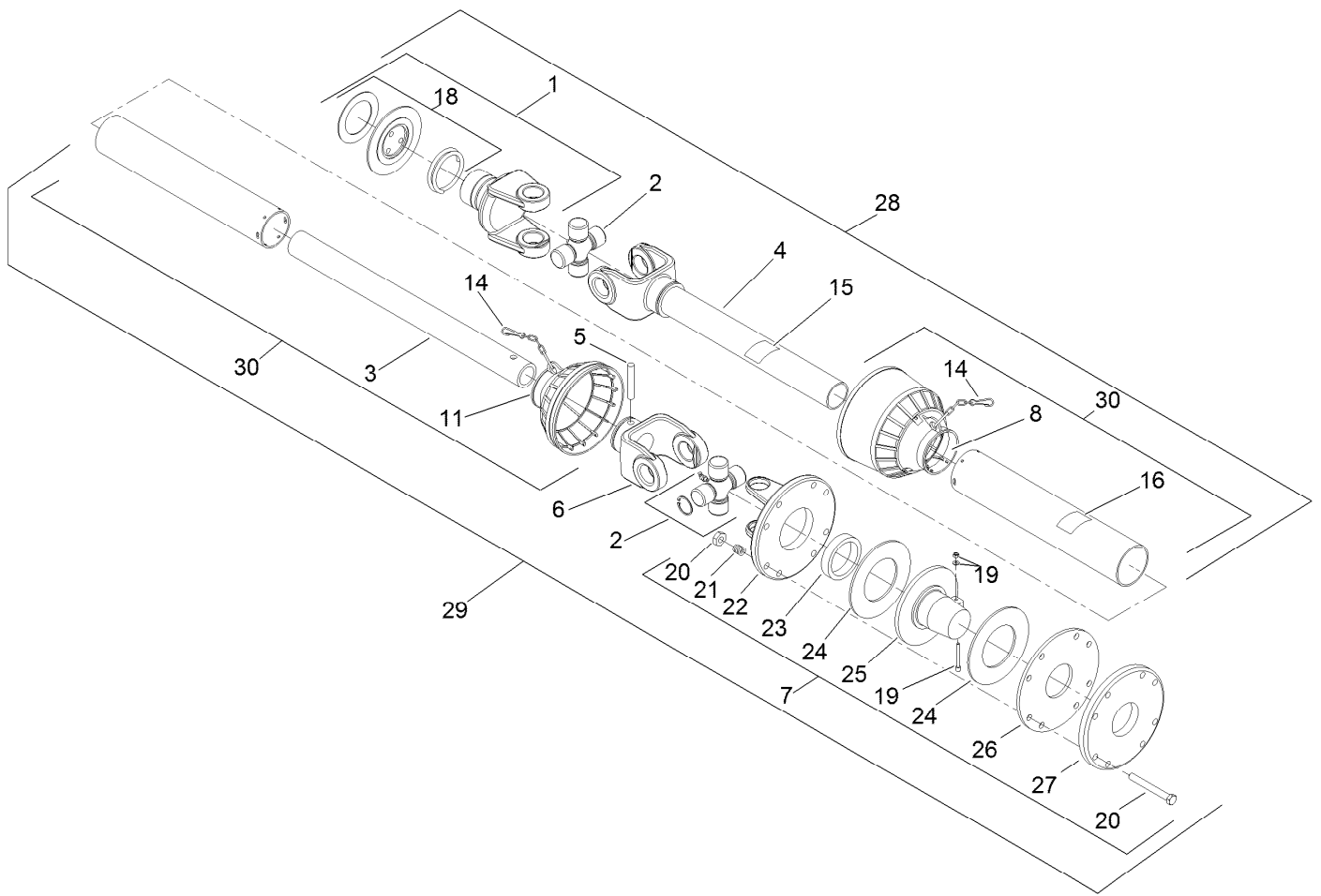
<i>Ref.</i>	<i>Part Number</i>	<i>Qty.</i>	<i>Description</i>	<i>Ref.</i>	<i>Part Number</i>	<i>Qty.</i>	<i>Description</i>
1	SG504000-03	1	Gearbox ASM	9	3253-8	4	Washer-Lock
2	80-6140	2	Key-Square	10	33118-030	4	Screw-HH
3	SG517026	2	Gearbox-Sprocket	11	SG580154	2	Chain-O-Ring
4	SG527054	2	Sprocket-Hub	11:1	SG581083	1	Link-Master
4:1	3246-4	1	Screw-Set	12	137-7323	1	PTO Shaft ASM
5	5-1470	6	Screw-HH	13	SG4170401	1	Cone-Shaft
6	3253-4	6	Washer-Lock	14	3256-24	4	Washer-Flat
7	48-9590	4	Washer-Lock	15	SG562562	8	Screw-HH
8	33115-020	4	Screw-HH	16	99-4371	8	Nut-Lock



## Gearbox Assembly No. SG504000-03

Ref.	Part Number	Qty.	Description	Ref.	Part Number	Qty.	Description
1		1	Housing-Gearbox ●	11	119-3228	2	Bearing-Ball
2	119-3221	1	Shaft-Gearbox, Output	12	119-3229	2	Bearing-Ball
3	119-3222	1	Cover-Housing, Gearbox	13	119-3230	2	Bearing-Roller Gearbox
4	119-3244	12	Screw-HSH	14	119-3245	2	Seal-Oil
5	119-3249	12	Washer-Disc, Spring	15	119-3231	1	Seal-Oil
6	119-3223	2	Circlip-Internal	16	119-3246	2	Seal-Oil
7	119-3224	1	Circlip-External	17	119-3218	1	Plug-Breather
8	119-3225	2	Circlip-External	18	119-3219	3	Plug-HSH
9	119-3226	1	Shim Kit	19	119-3232	1	Gear-Bevel, Gearbox
10	119-3227	1	Shim Kit	20	119-3247	2	Housing-Gearbox

● Not serviced separately



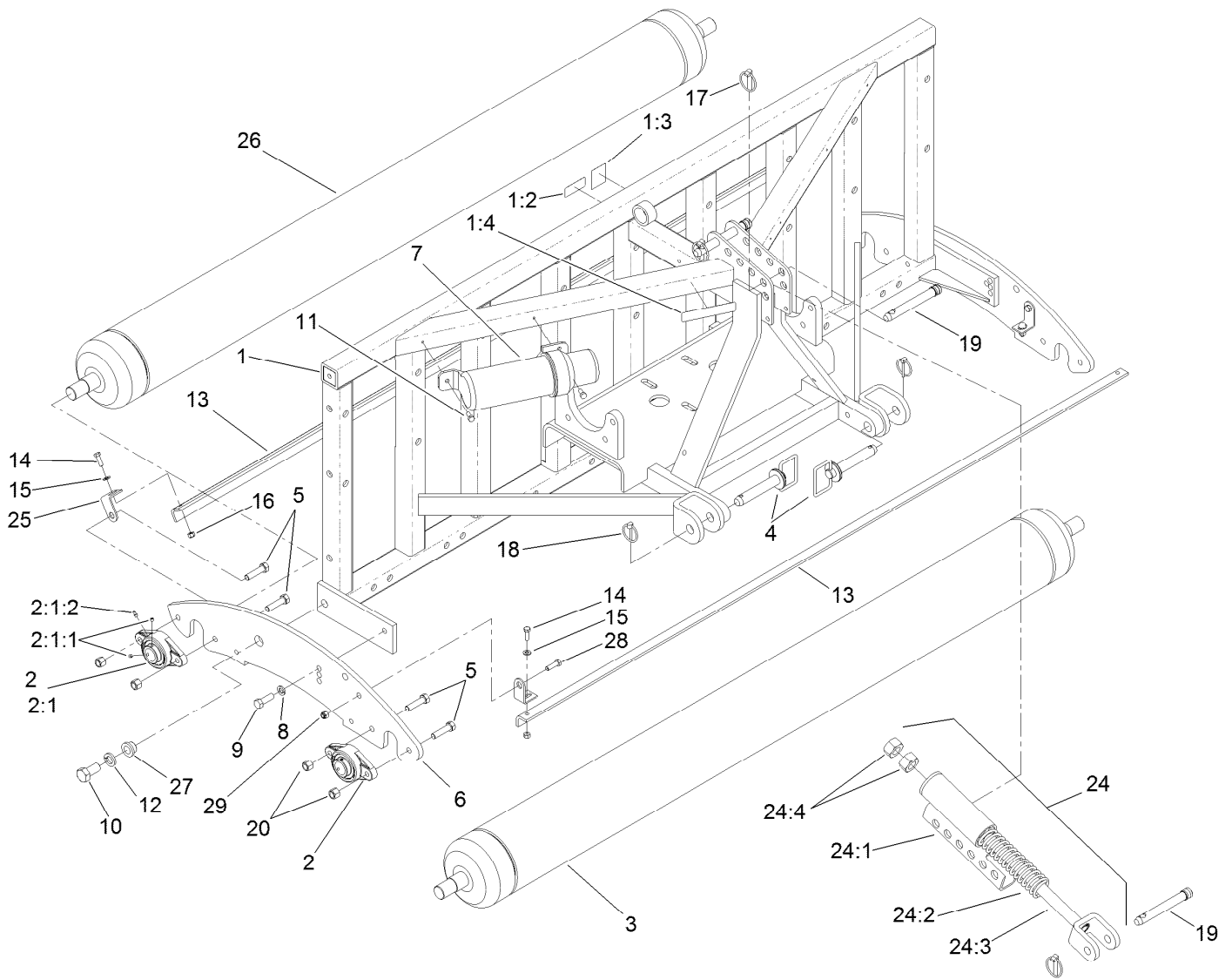
## PTO Shaft Assembly No. 137-7323

<i>Ref.</i>	<i>Part Number</i>	<i>Qty.</i>	<i>Description</i>
1	01-282-2240	1	Yoke-Rs
2	136-3942	2	Cross And Bearing Kit
3		1	Tube-Inner ■
4	136-3943	1	Yoke And Tube ASM
5	119-3134	1	Pin-Roll
6	01-282-2100	1	Yoke-Tube, Inner
7	119-3136	1	Clutch ASM
8	136-3944	1	Bearing-Shield, Outer
11		1	Bearing-Shield, Inner ■
14	119-3113	2	Chain-Safety
15	119-3114	1	Decal-Danger
16	119-3115	1	Decal-Danger
17	136-3937	1	Booklet-Instruction, Usa ●
18	119-3117	1	Ball And Collar Kit

<i>Ref.</i>	<i>Part Number</i>	<i>Qty.</i>	<i>Description</i>
19	136-3947	1	Pin-Taper
20	119-3119	8	Bolt And Nut ASM
21	119-3143	8	Spring
22		1	Yoke-Flange ■
23		1	Bushing ■
24	119-3145	2	Lining-Clutch, PTO
25		1	Hub ■
26	119-3147	1	Plate-Pressure
27	119-3148	1	Plate-Outer
28	136-3946	1	Half Shaft ASM
29	136-3948	1	Half Shaft ASM
30	136-3949	1	Complete Shield ASM
31	136-3935	6	Screw-Self TAP ●

● Not illustrated

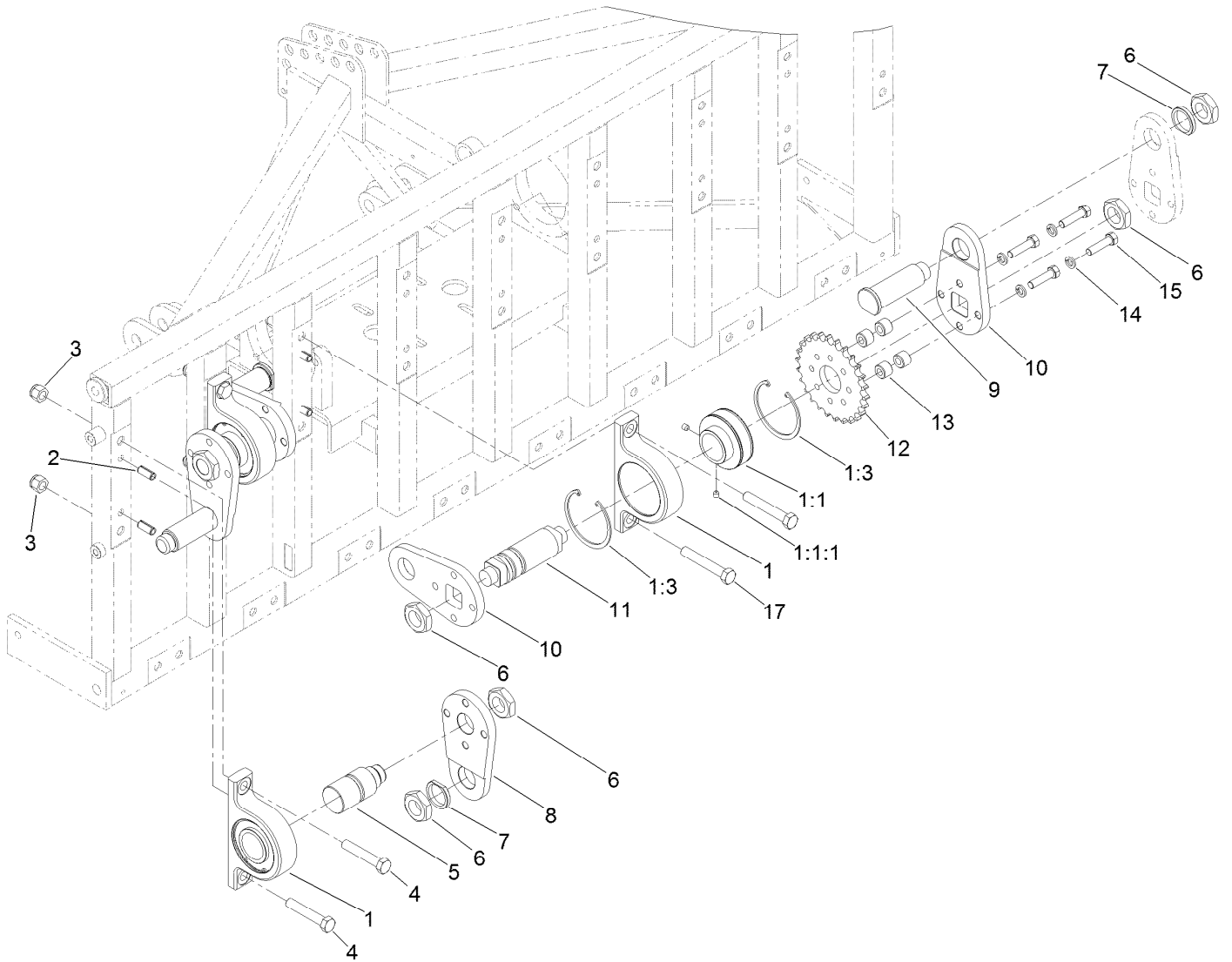
■ Not serviced separately



## Frame and Roller Assembly

Ref.	Part Number	Qty.	Description	Ref.	Part Number	Qty.	Description
1	120-1071	1	Frame ASM	13	SG678918-03	2	Scraper Bar
1:2	117-7052	1	Decal-No Oil	14	322-5	4	Screw-HH
1:3	100-3612	1	Decal-Warning	15	3256-23	4	Washer-Plain
1:4	127-4235	1	Decal-Warning, PTO	16	3296-29	4	Nut-Lock, NI
2	SG637070-03	4	Bearing-Roller	17	100-5389	3	Pin-Lynch
2:1		1	Bearing-Flange ●	18	92-1298	2	Pin-Lynch
2:1:1	3245-35	2	Screw-Set, HSH	19	SG715450	3	Pin-Link, Top
2:1:2	302-19	1	Fitting-Grease	20	3296-23	8	Nut-Lock, NI
3	SG627070-03	1	Roller-Main, Large	24	SG115070	1	Top Link Spring ASM
4	112-4378	2	Pin-Hitch	24:1	117-7137-03	1	Link-Adapter, Top
5	SG271517	8	Screw-HH	24:2	SG330080-03	1	Spring-Top Link
6	SG639070-01	2	Boot-Roller, Double	24:3	117-7136-03	1	Bracket-Spring Rod
7	SG999018	1	Canister-Manual, Operators	24:4	SG330081	2	Nut-Hex
8	3253-7	2	Washer-Lock	25	119-0955-03	4	Clip-Scraper
9	325-6	2	Screw-HH	26	SG627071-03	1	Roller-Main, Small
10	328-24	2	Screw-HH	27	SG639073	2	Bushing-Flange
11	322-3	2	Screw-HH	28	323-7	2	Screw-HH
12	3253-9	2	Washer-Lock	29	3296-39	2	Nut-Lock, NI

● Not serviced separately

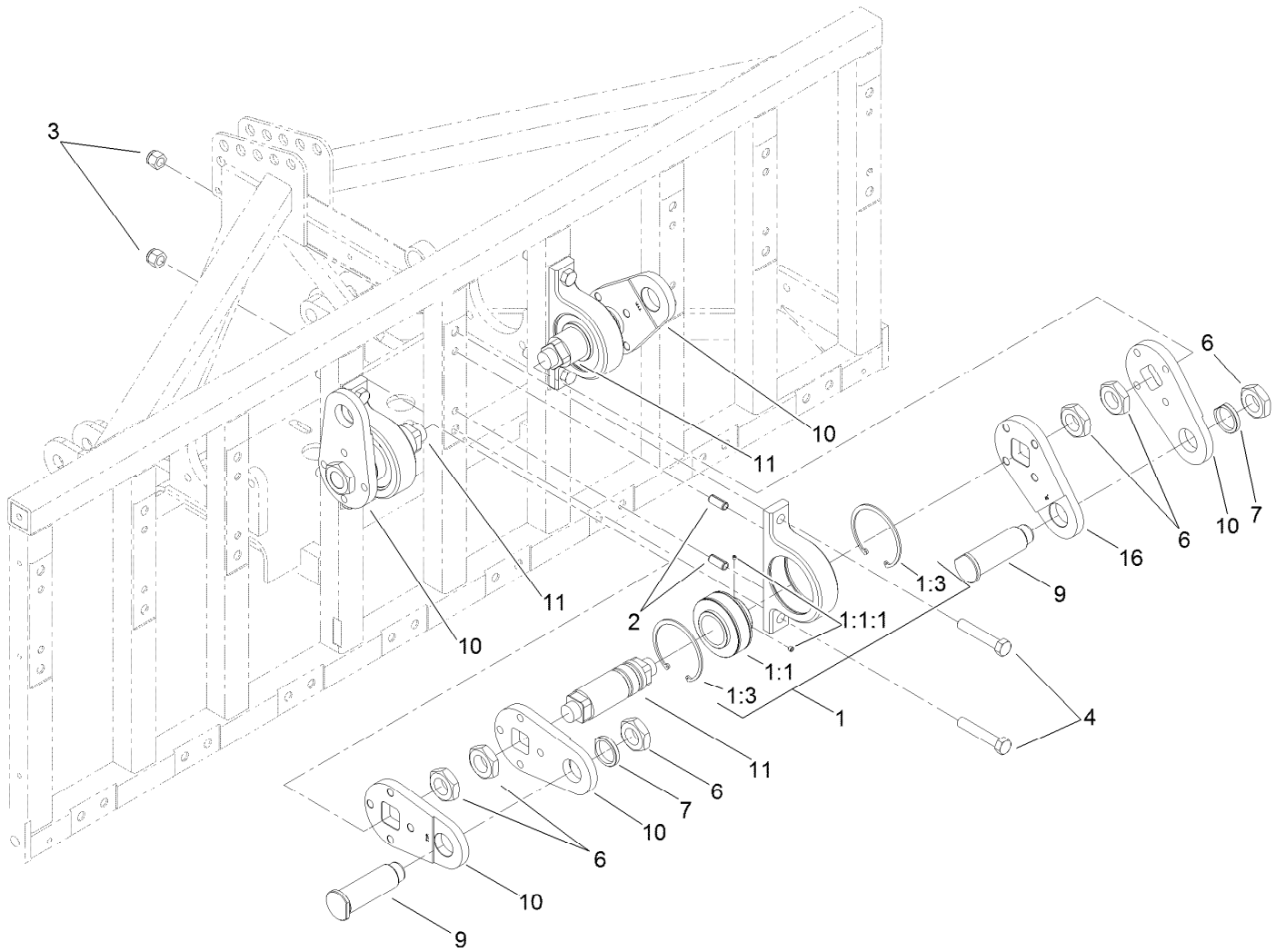


## Left to Right Crankshaft Assembly

Ref.	Part Number	Qty.	Description	Ref.	Part Number	Qty.	Description
1	121-6905	3	Main Bearing Housing ASM	8	SG207054	1	Arm-Crank
1:1		1	Bearing-Ball ●	9	SG257054	3	Pin-Crank
1:1:1	99-0195	2	Screw-Set, HSH	10	SG217054	4	Arm-Crank
1:3	SG427540	2	Ring-Retaining	11	SG217354	2	Crankshaft
2	105-1041	6	Pin-Spring	12	SG217026	1	Sprocket-Crank
3	3296-53	6	Nut-Lock, NI	13	SG267500	4	Spacer
4	327-14	4	Screw-HH	14	3253-7	4	Washer-Lock
5	SG217557	1	Shaft-Stub, Outside	15	SG271517	4	Screw-HH
6	SG267200	8	Nut-Hex	17	327-16	2	Screw-HH
7	SG247540	3	Washer-Clipped				

● Not serviced separately

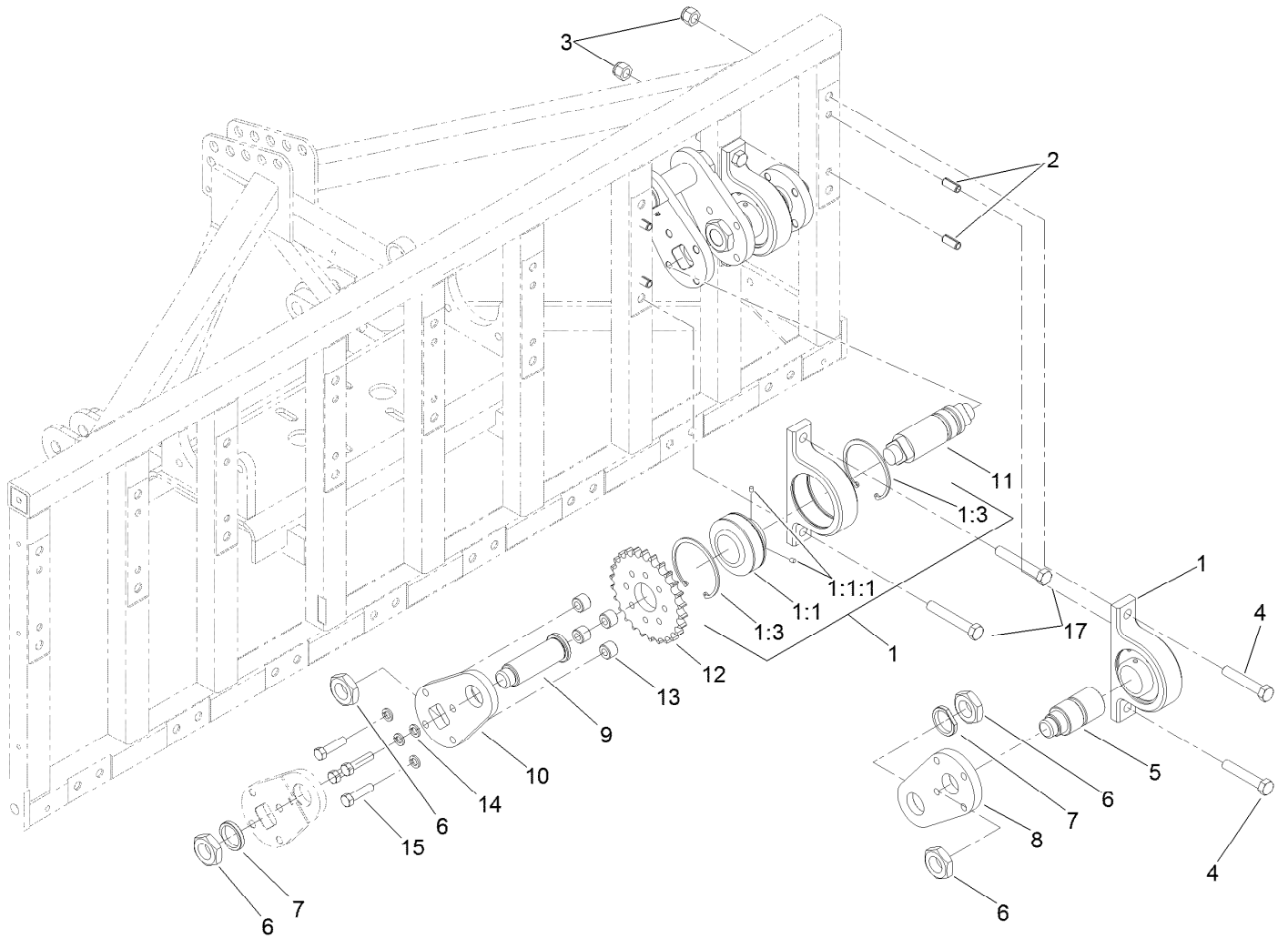




## Center Crankshaft Assembly

Ref.	Part Number	Qty.	Description
1	121-6905	3	Main Bearing Housing ASM
1:1		1	Bearing-Ball ●
1:1:1	99-0195	2	Screw-Set, HSH
1:3	SG427540	2	Ring-Retaining
2	105-1041	6	Pin-Spring
3	3296-53	6	Nut-Lock, NI
4	327-14	6	Screw-HH
6	SG267200	8	Nut-Hex
7	SG247540	2	Washer-Clipped
9	SG257054	2	Pin-Crank
10	SG217054	5	Arm-Crank
11	SG217354	3	Crankshaft
16	SG217554	1	Arm-Crank, 45 DEG

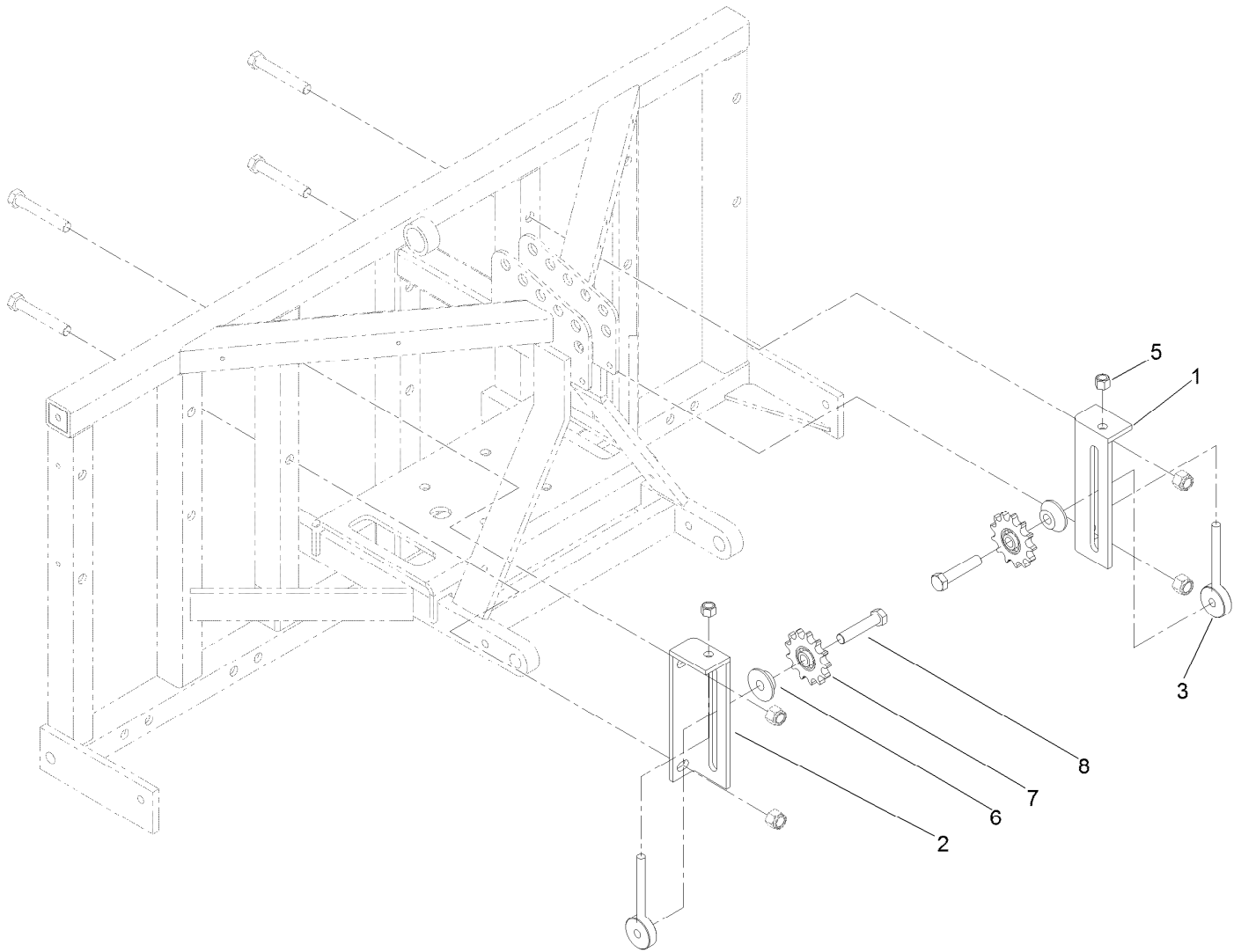
● Not serviced separately



## Center to Right Crankshaft Assembly

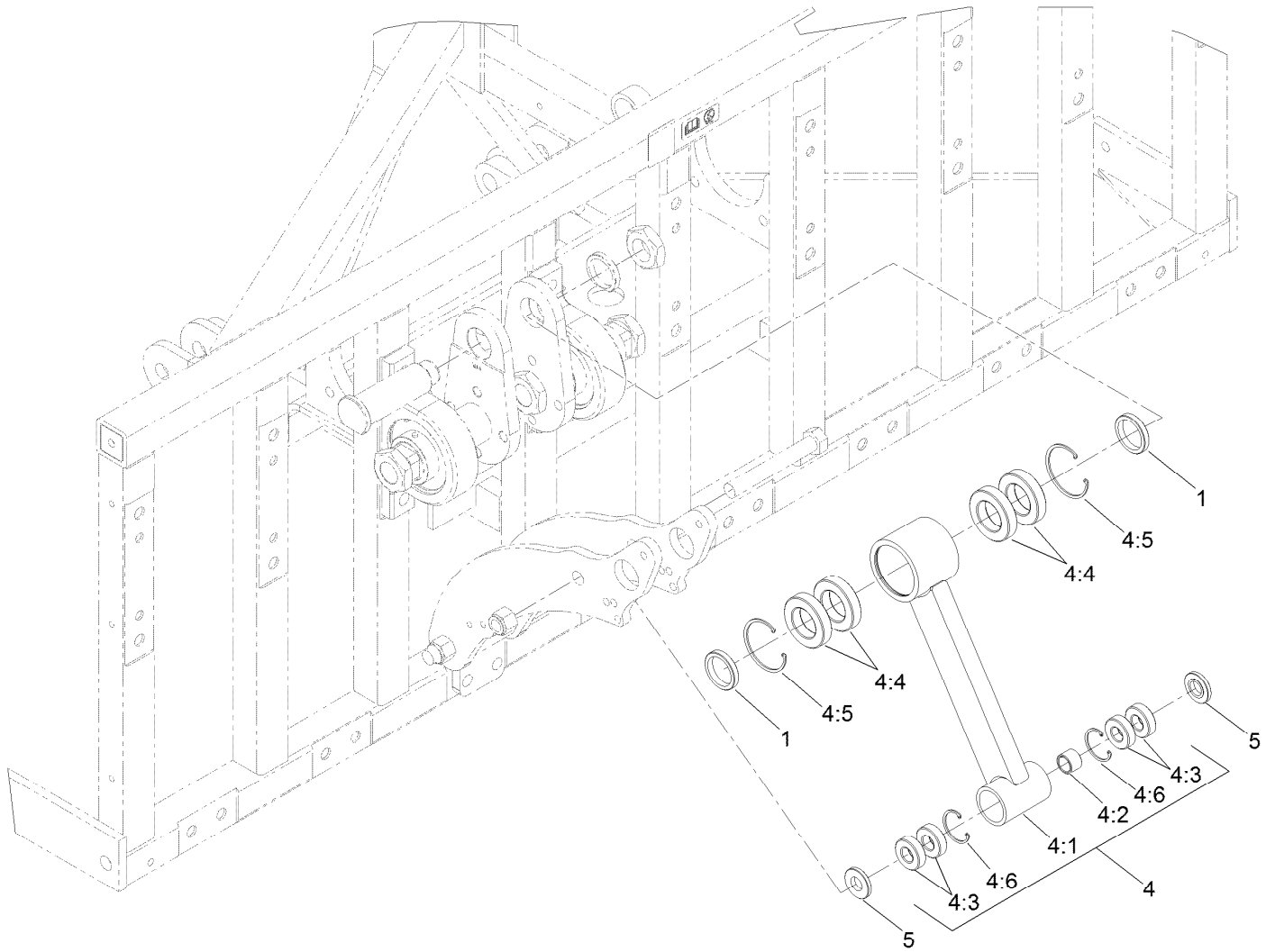
Ref.	Part Number	Qty.	Description	Ref.	Part Number	Qty.	Description
1	121-6905	3	Main Bearing Housing ASM	8	SG207054	1	Arm-Crank
1:1		1	Bearing-Ball ●	9	SG257054	3	Pin-Crank
1:1:1	99-0195	2	Screw-Set, HSH	10	SG217054	4	Arm-Crank
1:3	SG427540	2	Ring-Retaining	11	SG217354	2	Crankshaft
2	105-1041	6	Pin-Spring	12	SG217026	1	Sprocket-Crank
3	3296-53	6	Nut-Lock, NI	13	SG267500	4	Spacer
4	327-14	4	Screw-HH	14	3253-7	4	Washer-Lock
5	SG217557	1	Shaft-Stub, Outside	15	SG271517	4	Screw-HH
6	SG267200	8	Nut-Hex	17	327-16	2	Screw-HH
7	SG247540	3	Washer-Clipped				

● Not serviced separately



## Idler Assembly

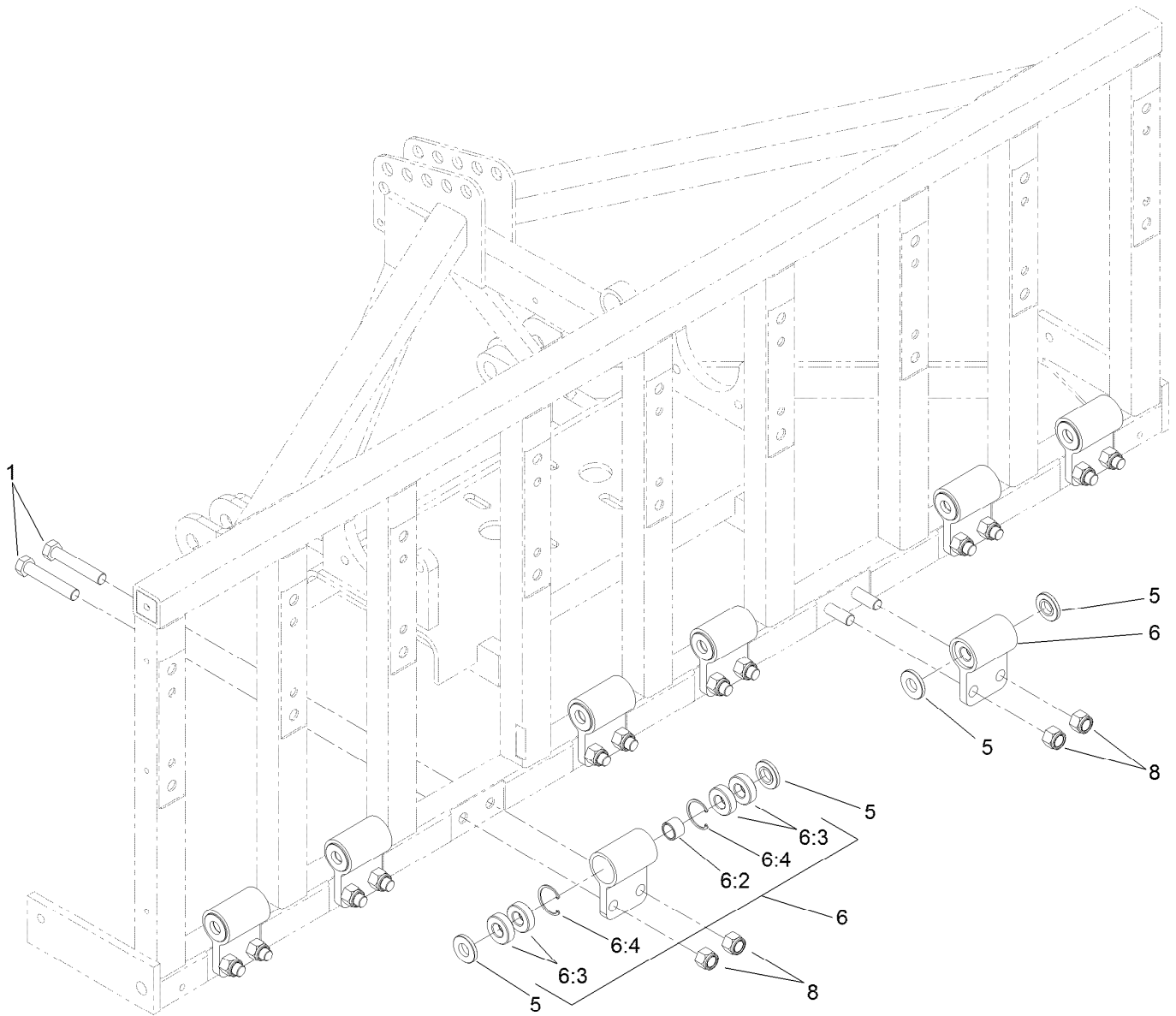
<i>Ref.</i>	<i>Part Number</i>	<i>Qty.</i>	<i>Description</i>
1	SG587054-03	1	Bracket-Idler
2	SG597054-03	1	Bracket-Idler
3	SG587202	2	Rod-Idler
5	3296-23	2	Nut-Lock, NI
6	SG537500	2	Spacer-Offset
7	SG517054	2	Sprocket-Idler
8	327-9	2	Screw-HH



## Connecting Rod Assembly

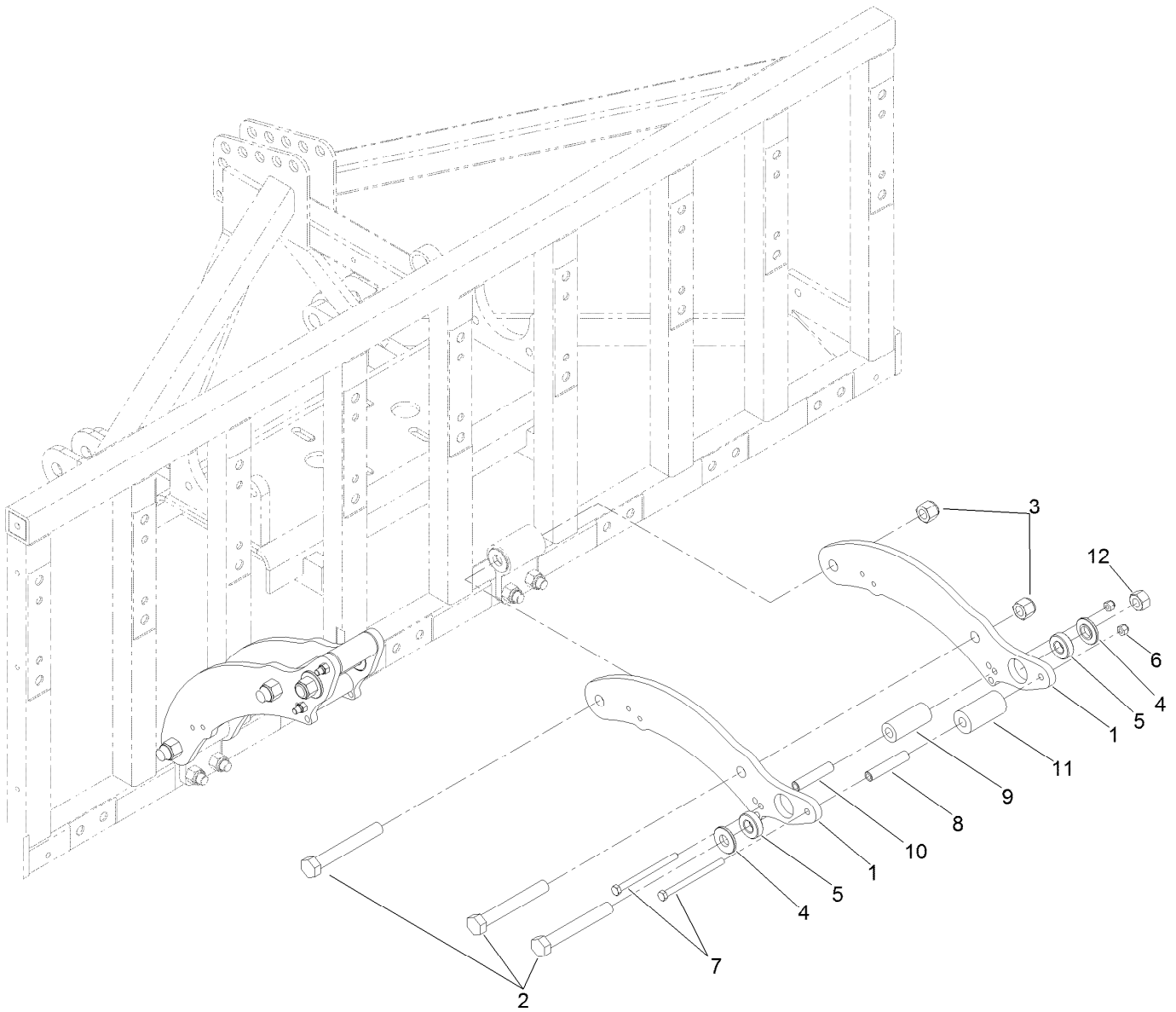
Ref.	Part Number	Qty.	Description
1	SG337100	16	Bushing-Outer
4	SG135154	8	Connecting Rod ASM
4:1		1	Rod-Connecting ●
4:2	SG337010	1	Bushing-Inner
4:3	SG337075	4	Bearing-Ball
4:4	SG337590	4	Bearing-Ball
4:5	SG427541	2	Ring-Retaining, Internal
4:6	SG427625	2	Ring-Retaining, Internal
5	SG337050	16	Bushing-Outer

● Not serviced separately



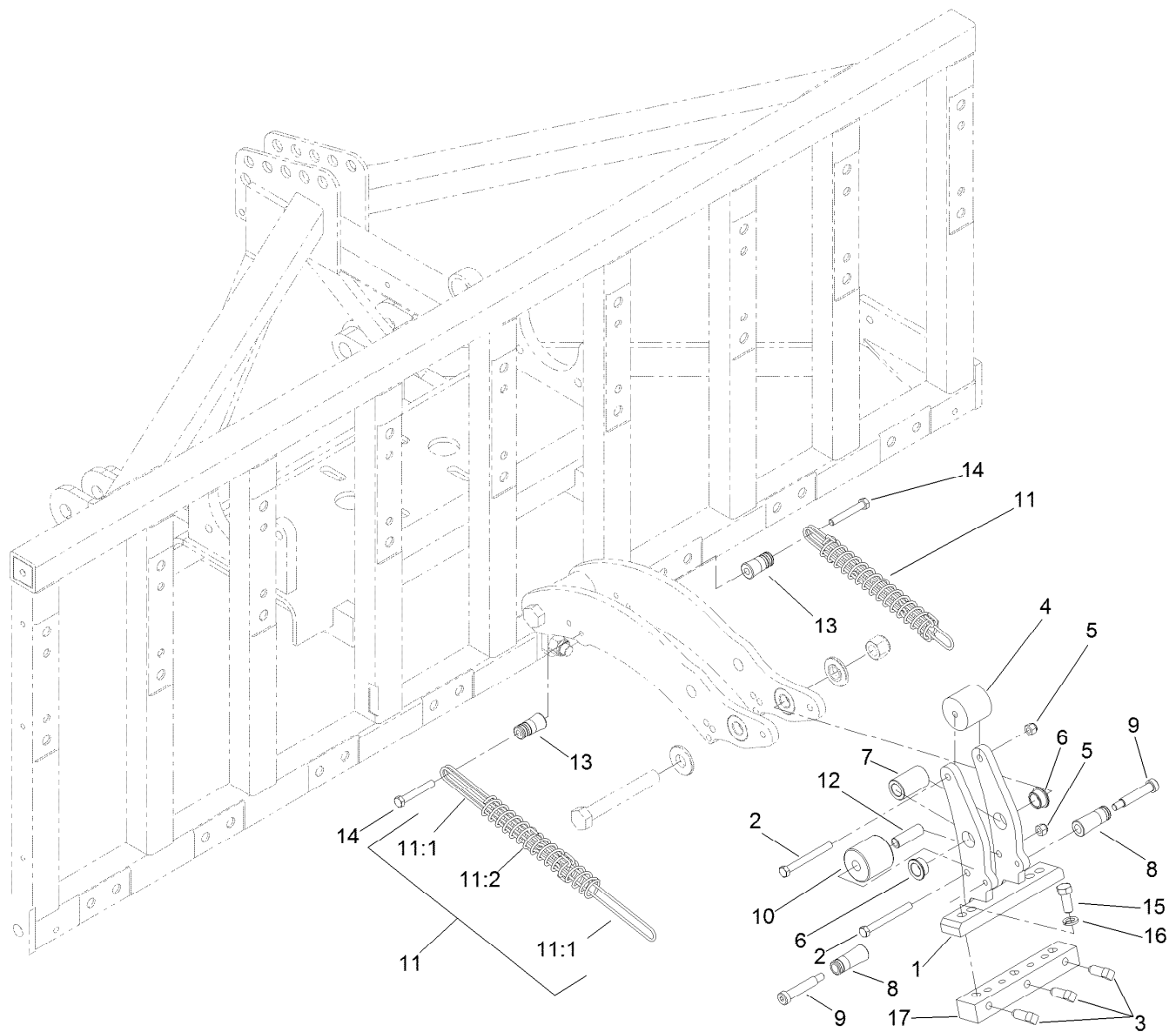
## Hinge Assembly

<b>Ref.</b>	<b>Part Number</b>	<b>Qty.</b>	<b>Description</b>
1	327-14	16	Screw-HH
5	SG337050	16	Bushing-Outer
6	125-3312	8	Hinge ASM
6:2	SG337010	1	Bushing-Inner
6:3	SG337075	4	Bearing-Ball
6:4	SG427625	2	Ring-Retaining, Internal
8	3296-53	16	Nut-Lock, NI



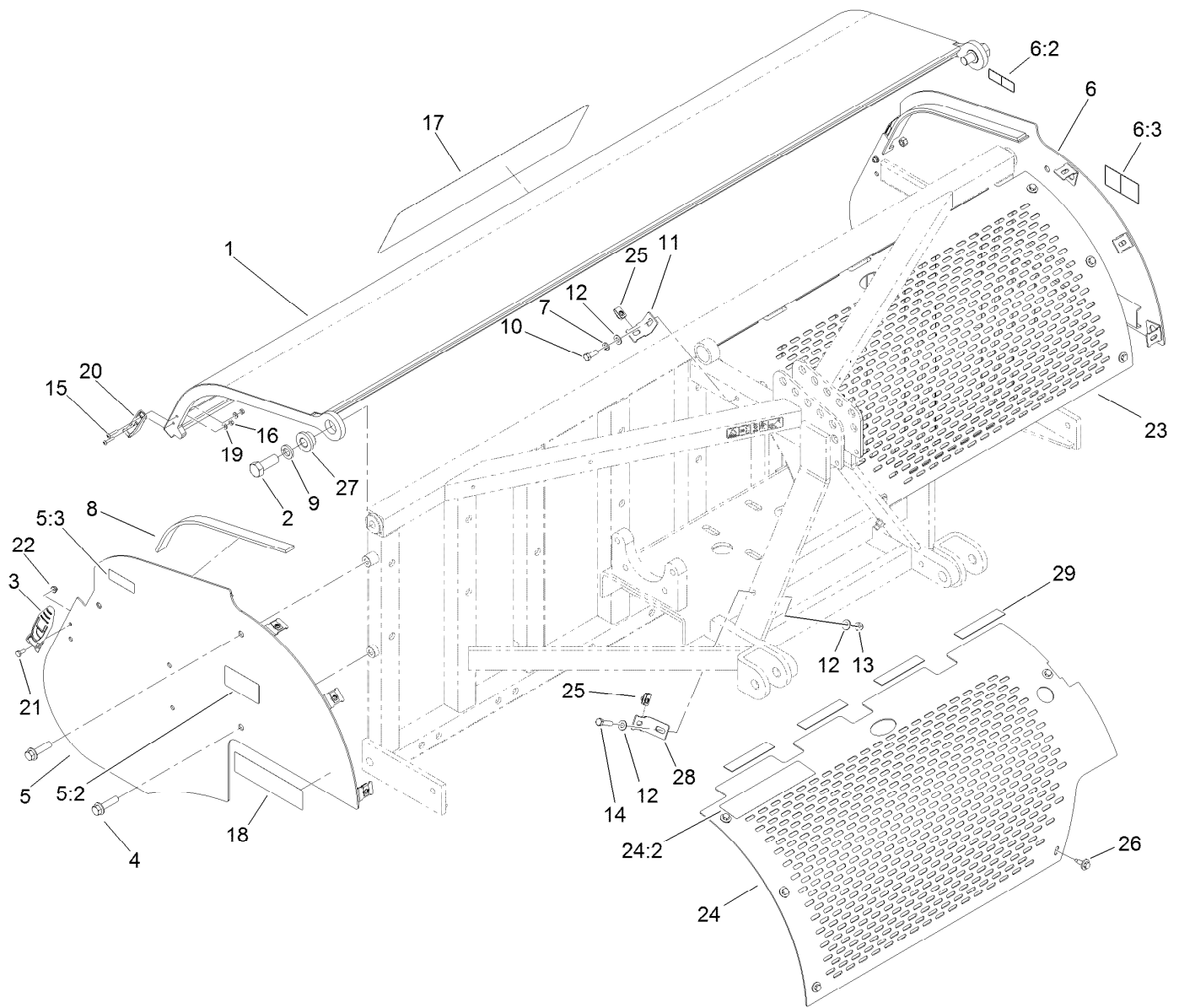
## Linkage Arm Assembly

<b>Ref.</b>	<b>Part Number</b>	<b>Qty.</b>	<b>Description</b>
1	SG387055-03	16	Arm-Linkage, Arched
2	328-12	24	Screw-HH
3	3296-51	16	Nut-Lock, NI
4	SG437125	16	Bushing-Outer
5	SG337075	16	Bearing-Ball
6	3296-39	16	Nut-Lock, NI
7	323-21	16	Screw-HH
8	SG337300	8	Spacer-Linkage
9	SG487125	8	Bumper-Rubber
10	SG486312	8	Spacer-Arm, Linkage
11	SG487126	8	Bumper-Rubber
12	120-7252	8	Nut-Lock



## Head and Spring Assembly

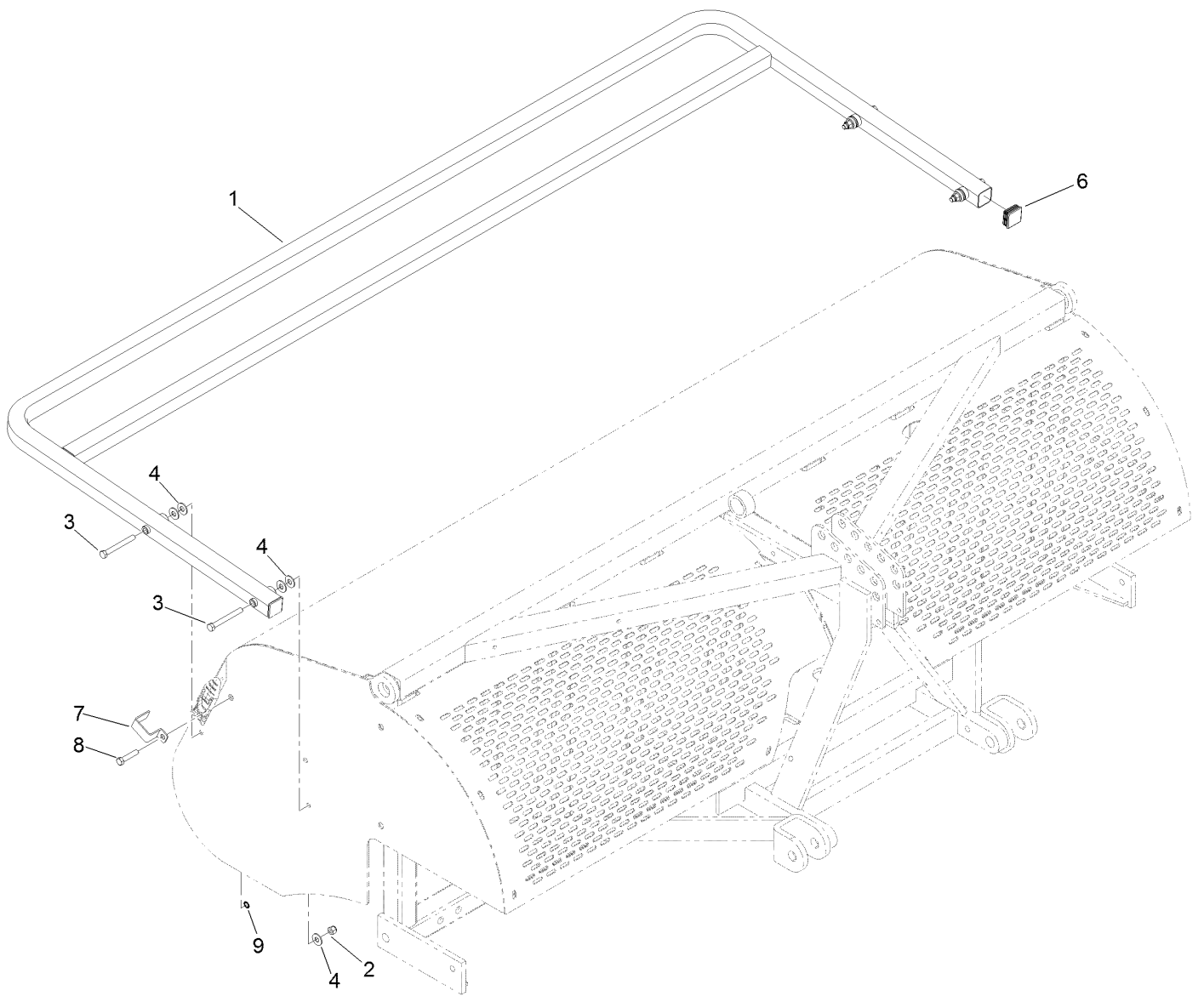
<i>Ref.</i>	<i>Part Number</i>	<i>Qty.</i>	<i>Description</i>	<i>Ref.</i>	<i>Part Number</i>	<i>Qty.</i>	<i>Description</i>
1	SG404070-03	8	Head-Tine	11	SG148154	16	Spring ASM
2	323-15	16	Screw-HH	11:1	SG487256	3	Wire-Draw, Spring
3	SG477125	40	Screw-Set, SQH	11:2	SG487257	1	Spring-Compression
4	SG487200	8	Bumper-Head	12	SG486311	8	Tube-Metal, Head Bumper
5	3296-39	16	Nut-Lock, NI	13	SG449126-03	16	Post-Spring
6	SG447080	16	Bushing-Flanged	14	323-12	16	Screw-HH
7	SG437100-03	8	Spacer-Head	15	325-6	16	Screw-HH
8	SG449127-03	16	Post-Spring	16	3253-7	16	Washer-Lock
9	SG449129	16	Bolt-Shoulder	17	SGH08704-03	8	Head-Tine, Adapter
10	SG487201	8	Spacer-Plastic				



## Screen and Hood Assembly

Ref.	Part Number	Qty.	Description	Ref.	Part Number	Qty.	Description
1	120-7329-03	1	Hood ASM	13	3296-39	2	Nut-Lock, NI
2	328-24	2	Screw-HH	14	323-8	2	Screw-HH
3	103-2898	2	Latch-Rubber	15	108-3153	4	Screw-HSBH
4	3234-27	4	Screw-HHF	16	3296-2	4	Nut-Lock, NI
5	120-7256	1	RH Shield ASM	17	117-7057	1	Decal
5:2	117-7051	1	Decal-Danger, Keep Away CE	18	117-7086	2	Decal
5:3	120-0625	1	Decal-Warning, Pinch Point	19	3256-14	4	Washer-Flat
6	120-7257	1	LH Shield ASM	20	103-2897	2	Latch-Catch
6:2	117-7051	1	Decal-Danger, Keep Away CE	21	321-3	2	Screw-HH
6:3	120-0625	1	Decal-Warning, Pinch Point	22	104-7201	2	Nut-HF
7	3253-21	2	Washer-Lock	23	120-7326	1	Screen-Front, Left
8	120-7273	2	Strip-Rubber	24	120-7328	1	Front Right Guard ASM
9	3253-9	2	Washer-Lock	24:2	117-7050	1	Decal-Warning, CE
10	323-6	2	Screw-HH	25	94-2413	10	Nut-U
11	120-1011-03	2	Bracket-Shield	26	114-8418	10	Screw-HWH, Sems
12	3256-24	6	Washer-Flat	27	120-1021	2	Bushing-Hood
				28	120-7323	2	Bracket-Shield
				29	120-1087	8	Strip-Rubber





## Rear Guard Assembly

<i>Ref.</i>	<i>Part Number</i>	<i>Qty.</i>	<i>Description</i>
1	120-7322-03	1	Rear Guard ASM
2	3296-39	4	Nut-Lock, NI
3	323-20	4	Screw-HH
4	80-6990	12	Washer-Hardened
6	120-7261	2	Cap-End, Square
7	110-4673	2	Lock-Latch, CE
8	323-53	2	Screw-HH
9	32151-72	2	Ring-Retaining

# Attachments and Accessories

## For 09934 ProCore SR70-S Aerator

<b>Product Name</b>	<b>Model/Part</b>
Rear Roller Kit .....	09953
2x18mm Tine Head Adapter Kit .....	117-7194
2x12mm or 2x5/16-inch Tine Head Adapter Kit .....	117-7195
4x3/8-inch or 4x5/16-inch Tine Head Adapter Kit .....	117-7196
8x3/8-inch Tine Head Adapter Kit .....	117-7199

**Notes:**



**Count on it.**