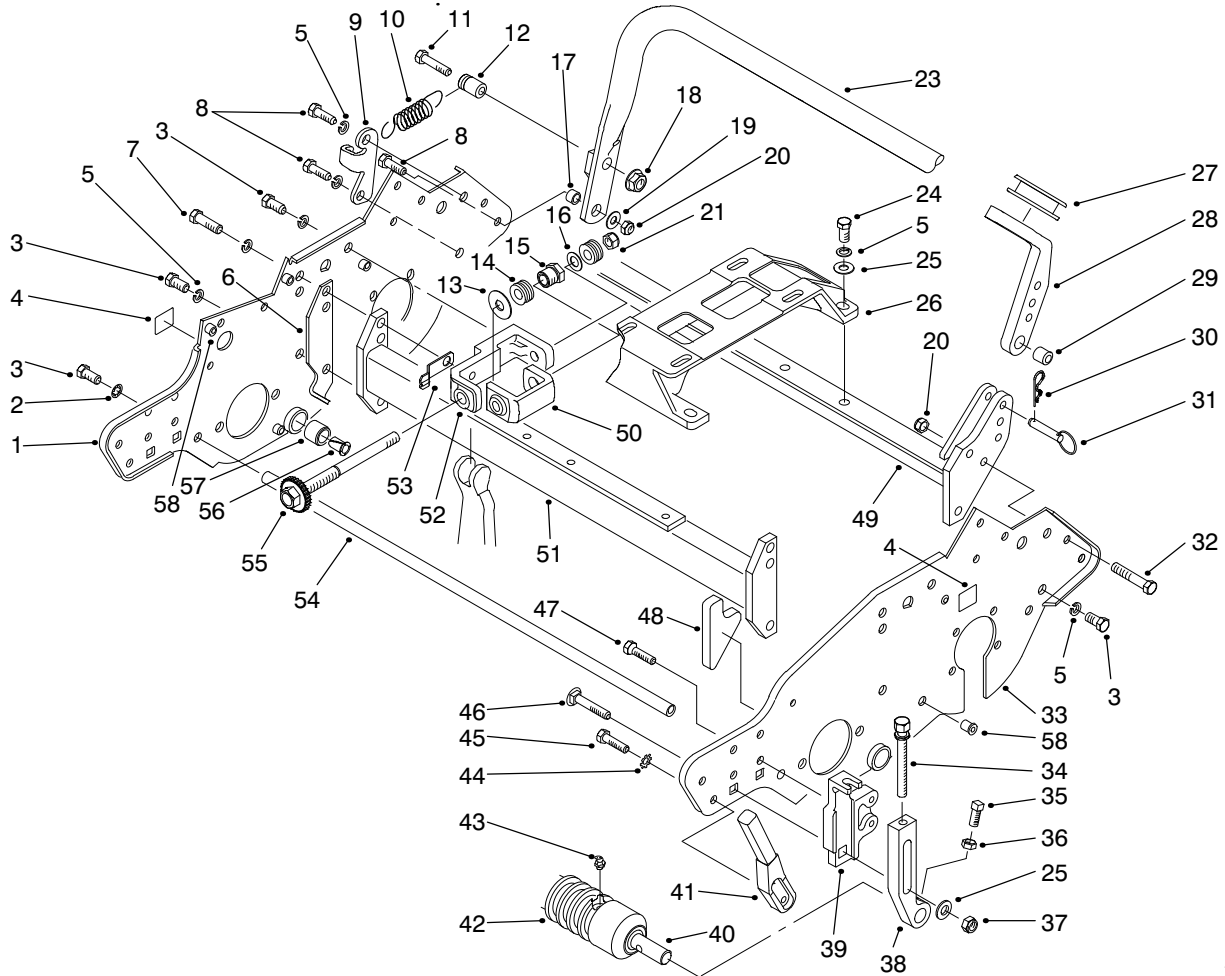




MODEL NO. 04060-80215 & UP  
MODEL NO. 04060TE-80122 & UP

PARTS  
CATALOG

**GREENSMASTER® 1600**  
Traction Unit & Cutting Unit



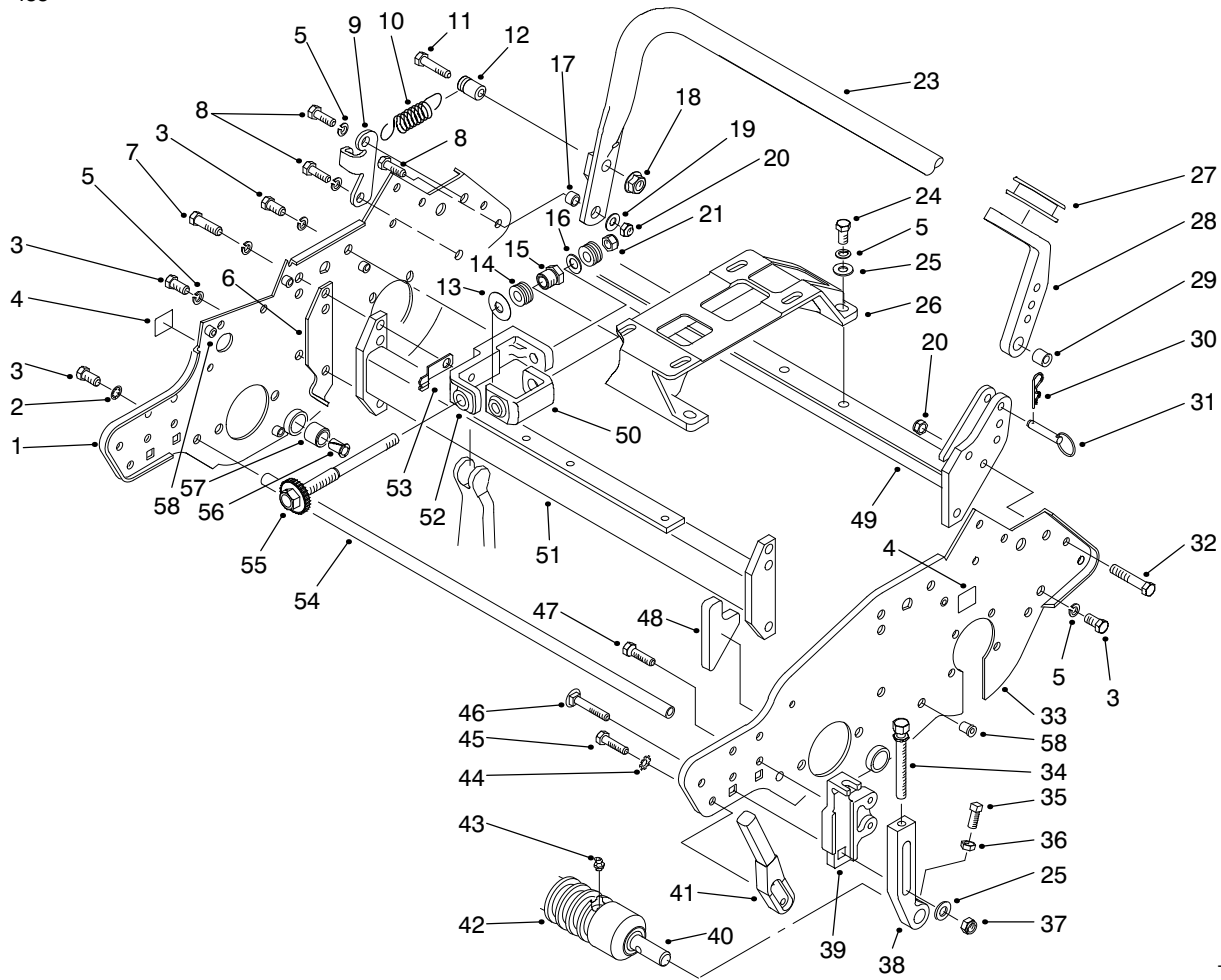
T-2398-2

**FRAME ASM**

Ref. No.	Part No.	Description	No. Used
1	94-9004	Plate-Side, RH (Incl. Ref. #4 & 58)	1
2	3254-6	Washer-Lock, Int. Tooth	2
3	323-4	Screw-HH	10
4	88-8950	Decal-Warning, Belt	3
4	93-9356	Decal-Warning, Belt (Europe)	3
4	93-9389	Decal-Warning, Belt (Japan)	3
5	3253-21	Washer-Lock	16
6	88-7100	Spacer-RH	1
*	88-7090	Spacer-LH	1
7	323-6	Screw-HH	2
8	322-5	Screw-HH	2
9	65-7890	Bracket	1
10	65-7880	Spring-Extension	1
11	322-10	Screw-HH	1

Ref. No.	Part No.	Description	No. Used
12	65-7900	Retainer-Spring	1
13	94-5859	Washer-Hardened	2
14	93-9043	Washer-Belleville	32
15	98-5913	Nut-Spring	2
16	94-5858	Washer	2
17	65-7910	Spacer	2
18	32128-25	Nut-HFH	1
19	3256-2	Washer-Flat	3
20	3296-29	Nut-Lock	4
21	3296-48	Nut-Lock	2
22	93-7252	Decal-CE Mark (Europe)	1
22	93-7842	Decal-Blank (Japan)	1
23	93-9019	Kickstand	1
24	323-5	Screw-HH	6
25	3256-24	Washer-Flat	6
26	88-7670	Base-Engine	1
27	65-7510	Grommet-Handle	2

\* Not Illustrated



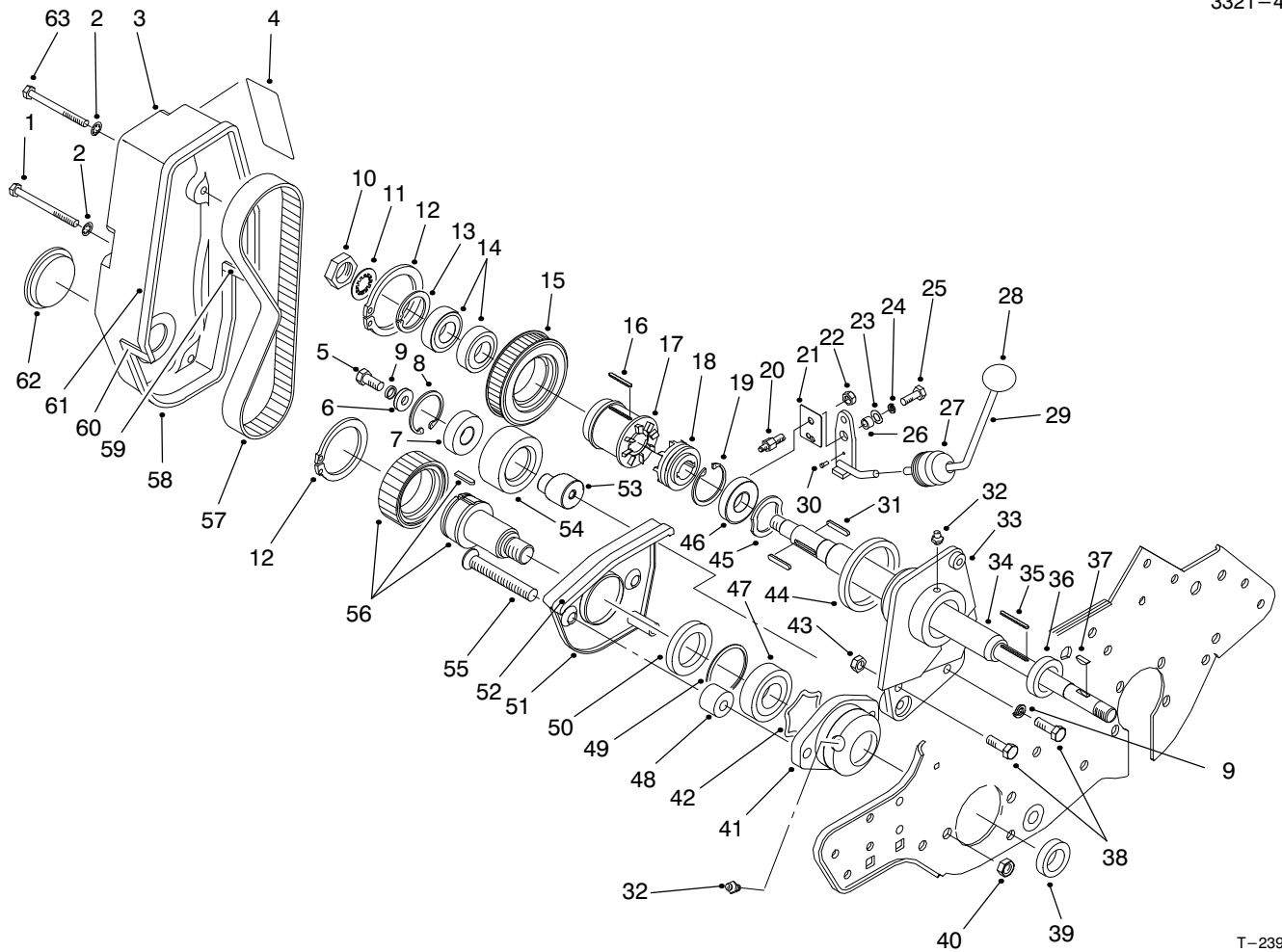
T-2398-2

### FRAME ASM (Continued)

Ref. No.	Part No.	Description	No. Used
28	93-6038	Arm-Handle, LH	1
*	93-6037	Arm-Handle, RH	1
29	93-6024	Bushing-Handle, Support	2
30	3290-467	Pin-Cotter, Hair	2
31	93-6029	Pin-Ring	2
32	322-9	Screw-HH	2
33	94-9005	Plate-Side, LH (Incl. Ref. #4 & 58)	1
34	93-6051	Screw-Height-of-Cut	2
35	3242-4	Screw-Set	2
36	3218-2	Nut-Hex. Jam	2
37	3296-39	Nut-Lock	2
38	93-6090	Arm-Height-of-Cut	2
39	93-6049	Bracket-HOC, LH	1
*	93-6048	Bracket-HOC, RH	1
40	52-3180	Bearing	2
41	93-9018	Rod-Basket, LH	1
*	93-9017	Rod-Basket, RH	1

Ref. No.	Part No.	Description	No. Used
42	93-9039	Asm-Roller, Wiehle (Incl. Ref. #40 & 43)	1
43	302-5	Fitting-Grease	2
44	3255-8	Washer-Lock	4
45	322-2	Screw-HH	4
46	3231-5	Screw-CARR	2
47	92-8914	Bolt-Tapered Face	4
48	93-6064	Seal-Grass Catcher	1
49	93-9026	Frame-Rear	1
50	98-5912	Channel-Adjuster	2
51	93-9032	Frame-Front	1
52	94-5854	Adjuster-Frame, Bedbar	2
53	94-5856	Spring-Detent	2
54	94-5867	Rod-Support, Frame	1
55	94-5873	Asm-Screw	2
56	52-2890	Bushing-Steering Links	2
57	63-9510	Asm-Bushing	2
58	32148-6	Insert-Threaded	9

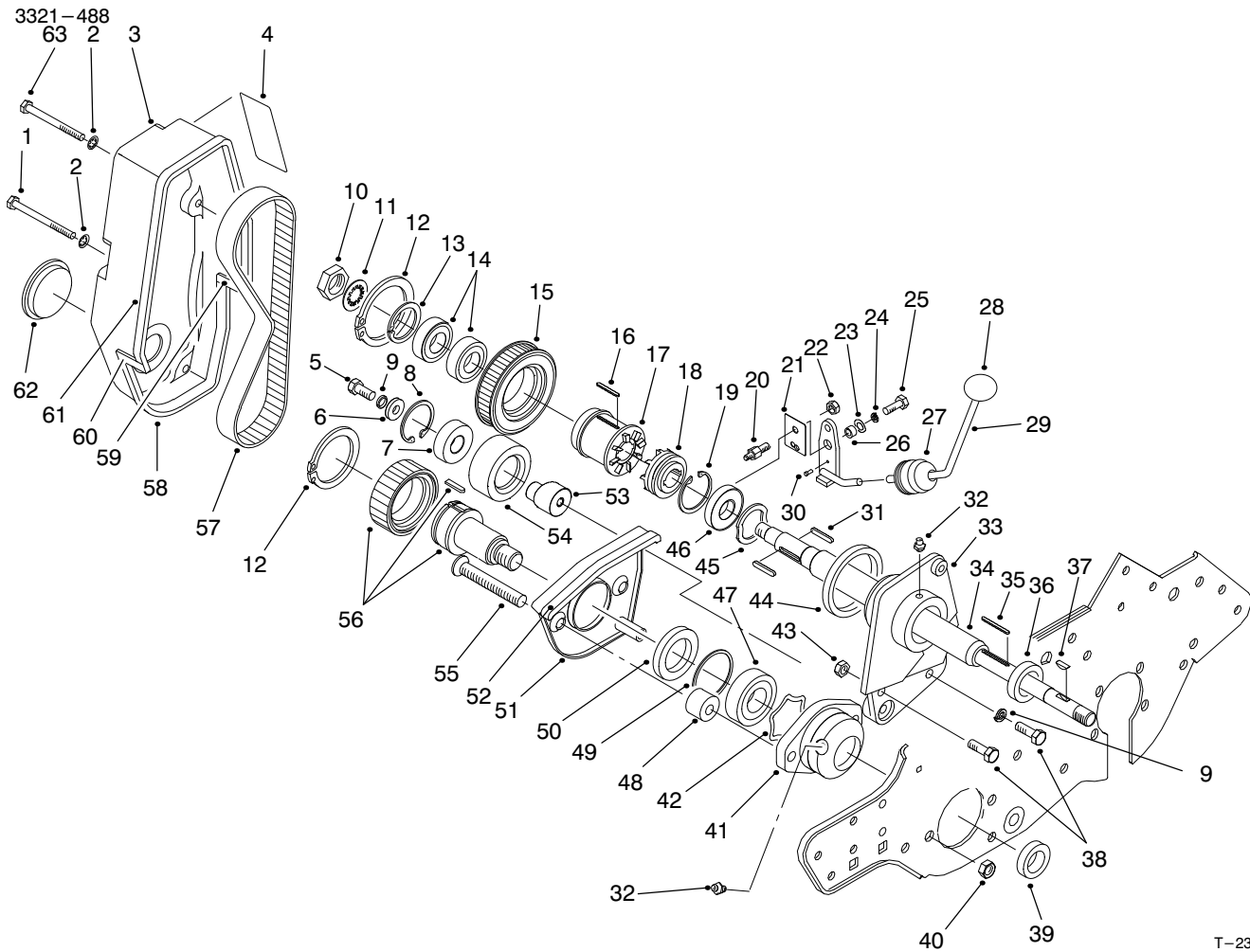
\* Not Illustrated



T-2399-1

## REEL DRIVE ASM

Ref. No.	Part No.	Description	No. Used	Ref. No.	Part No.	Description	No. Used
1	321-20	Screw-HH	3	23	3290-414	Washer-Belleville	1
2	3254-8	Washer-Lock, Int. Tooth	4	24	3253-3	Washer-Lock	1
3	88-7700	Cover-Reel Drive	1	25	321-4	Screw-HH	1
4	65-7660	Decal-Reel Engagement	1	26	88-7860	Spacer	1
4	93-7346	Decal-Reel Engagement (Europe)	1	27	65-8960	Boot-Clutch	1
4	92-4817	Decal-Reel Engagement (Japan)	1	28	233-69	Knob	1
5	322-3	Screw-HH	1	29	88-7170	Lever-Clutch	1
6	88-7200	Washer-Flat	1	30	95-5731	Screw-Drive	1
7	38-7820	Bearing-Ball	1	31	88-7150	Key-Square	2
8	32120-42	Ring-Retaining	1	32	302-5	Fitting-Grease	2
9	3253-4	Washer-Lock	2	33	92-8013	Housing-Clutch	1
10	3220-5	Nut-Jam	1	34	94-5872	Shaft-Power	1
11	3254-4	Washer-Lock, Int. Tooth	1	35	65-6850	Key	1
12	32151-95	Ring-Retaining	2	36	253-118	Seal	1
13	32151-89	Ring-Retaining	1	37	3257-32	Key-Woodruff	1
14	251-336	Bearing-Ball	2	38	322-5	Screw-HH	3
15	65-6960	Pulley-Reel Driven	1	39	253-96	Seal	1
16	65-6980	Key	1	40	3296-39	Nut-Lock	2
17	65-6950	Clutch-Jaw Driven	1	41	65-8640	Housing-Bearing	1
18	65-6940	Clutch-Jaw Driver	1	42	3290-485	Washer-Wave	1
19	32120-11	Ring-Retaining	1	43	3296-29	Nut-Lock	2
20	93-9014	Pin-Actuator, Clutch	1	44	65-6970	Seal-Felt	1
21	65-6290	Spring-Detent, Clutch	1	45	88-7720	Washer-Wave	1
22	3296-42	Nut-Lock	1	46	251-204	Bearing-Ball	1
				47	251-342	Bearing	1
				48	65-8290	Standoff-Cover	2



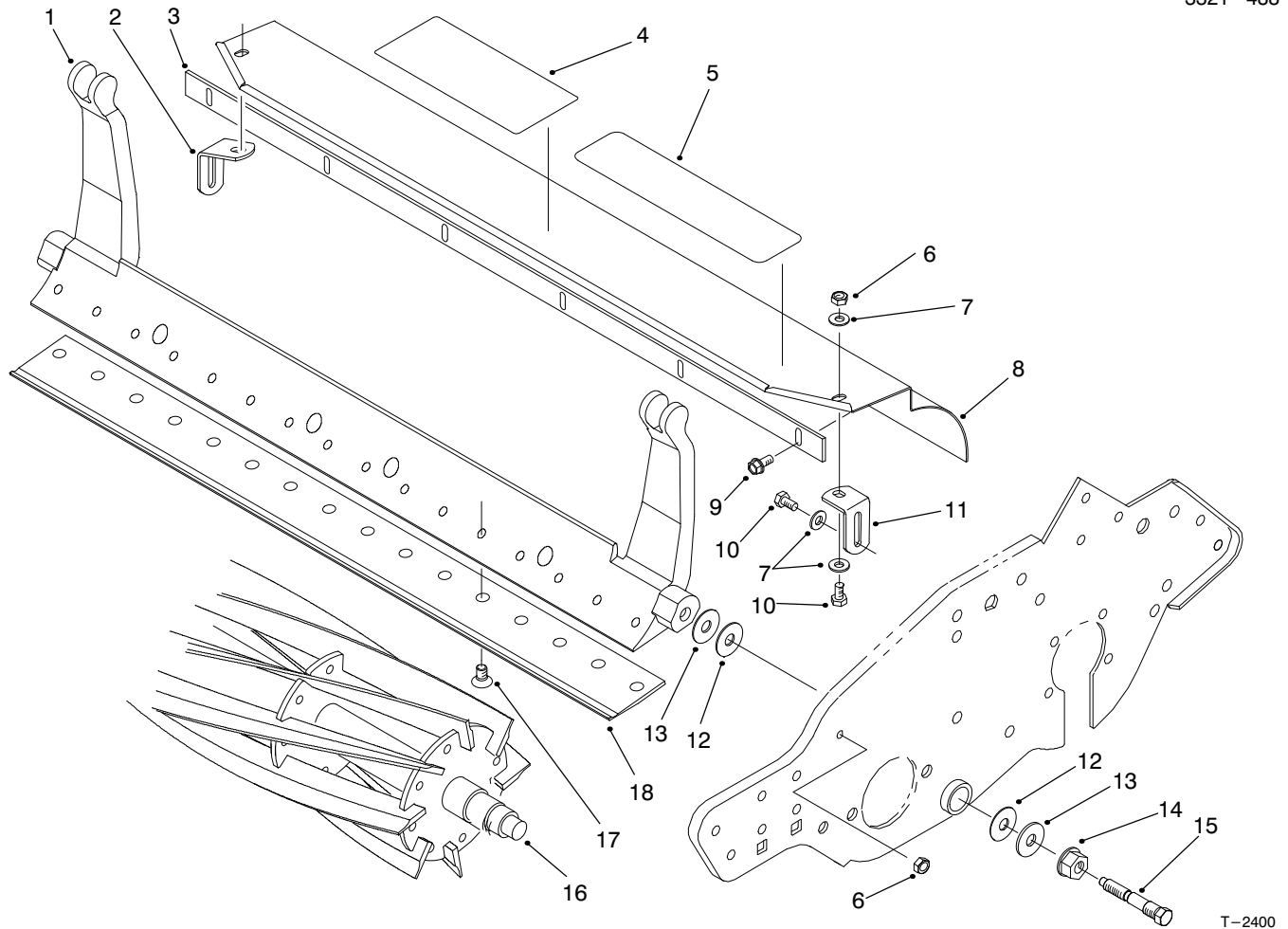
T-2399-1

## REEL DRIVE ASM (Continued)

Ref. No.	Part No.	Description	No. Used
49	32151-92	Ring-Retaining	1
50	253-163	Seal	1
51	65-7190	Cover-Arm, Groomer	1
52	65-7131	Trim-Cover, Arm	1
53	88-7190	Spacer-Support, Pulley	1
54	88-7180	Pulley-Idler	1
55	3289-23	Screw-FH	2
56	88-7840	Asm-Pulley & Drive	1
57	65-6200	Belt-Drive, Reel	1
58	88-7800	Seal-Strip, Lower	1

Ref. No.	Part No.	Description	No. Used
59	88-7780	Seal-Strip, Rear	1
60	88-7770	Seal-Strip, Front	1
61	88-7790	Seal-Strip, Upper	1
62	237-160	Plug	1
63	321-23	Screw-HH	1
*	88-7850	Asm-Pulley, Idler (Incl. Ref. #5-9 & 53-54)	1
*	88-7830	Asm-Clutch & Pulley (Incl. Ref. #12-17)	1

\* Not Illustrated



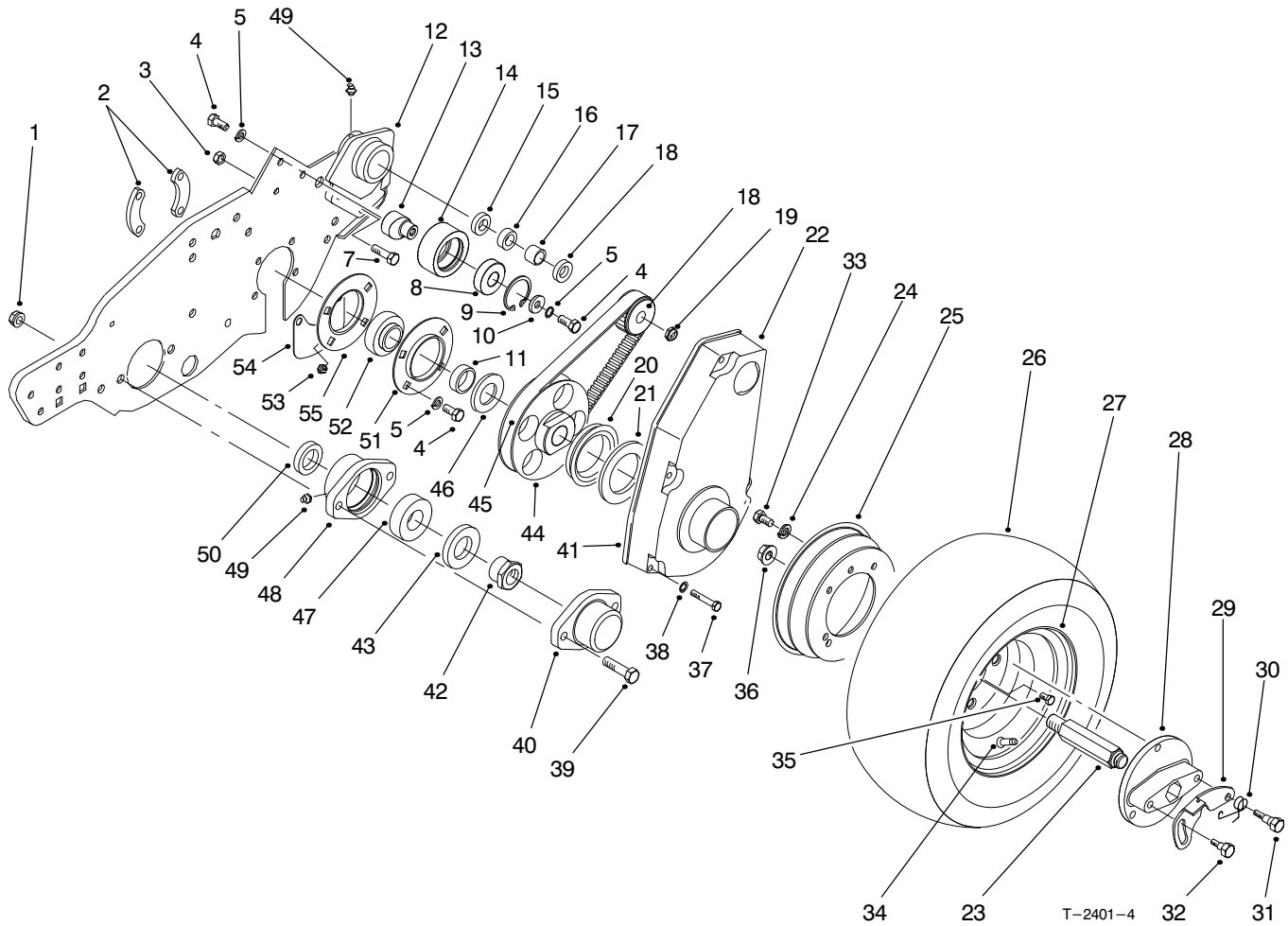
T-2400

## REEL ASM

Ref. No.	Part No.	Description	No. Used
1	93-9049	Bedbar	1
2	65-6460	Bracket- Shield RH	1
3	94-5879	Bar- Cutoff	1
4	93-6098	Decal- Service	1
4	93-7285	Decal- Service (Danish)	1
4	93-7286	Decal- Service (Dutch)	1
4	93-7287	Decal- Service (Finnish)	1
4	93-7288	Decal- Service (Italian)	1
4	93-7289	Decal- Service (Norwegian)	1
4	93-7290	Decal- Service (Portuguese)	1
4	93-7291	Decal- Service (Swedish)	1
4	93-9391	Decal- Service (French)	1
4	93-9392	Decal- Service (Spanish)	1
4	93-9393	Decal- Service (German)	1
4	93-9394	Decal- Service (Japan)	1
5	62-5070	Decal- Warning	1

Ref. No.	Part No.	Description	No. Used
5	93-8064	Decal- Warning (Europe)	1
5	84-6560	Decal- Warning (Japan)	1
6	3296-42	Nut- Lock	4
7	3256-22	Washer- Flat	6
8	94-9009	Asm- Grass Shield (Incl. Ref. #4 & 5)	1
9	32144-73	Screw- HWHTF	6
10	321-3	Screw- HH	4
11	65-6450	Bracket- Shield LH	1
12	52-2900	Washer- Poly	4
13	52-2860	Washer	4
14	32128-48	Nut- Flange	2
15	65-6270	Bolt- Bedbar	2
16	93-9029	Reel- 8 Blade	1
17	57-4910	Screw- Special	16
18	93-9015	Bedknife- 1/8"	1
*	94-5885	Bedknife- Tournament	1

\* Not Illustrated

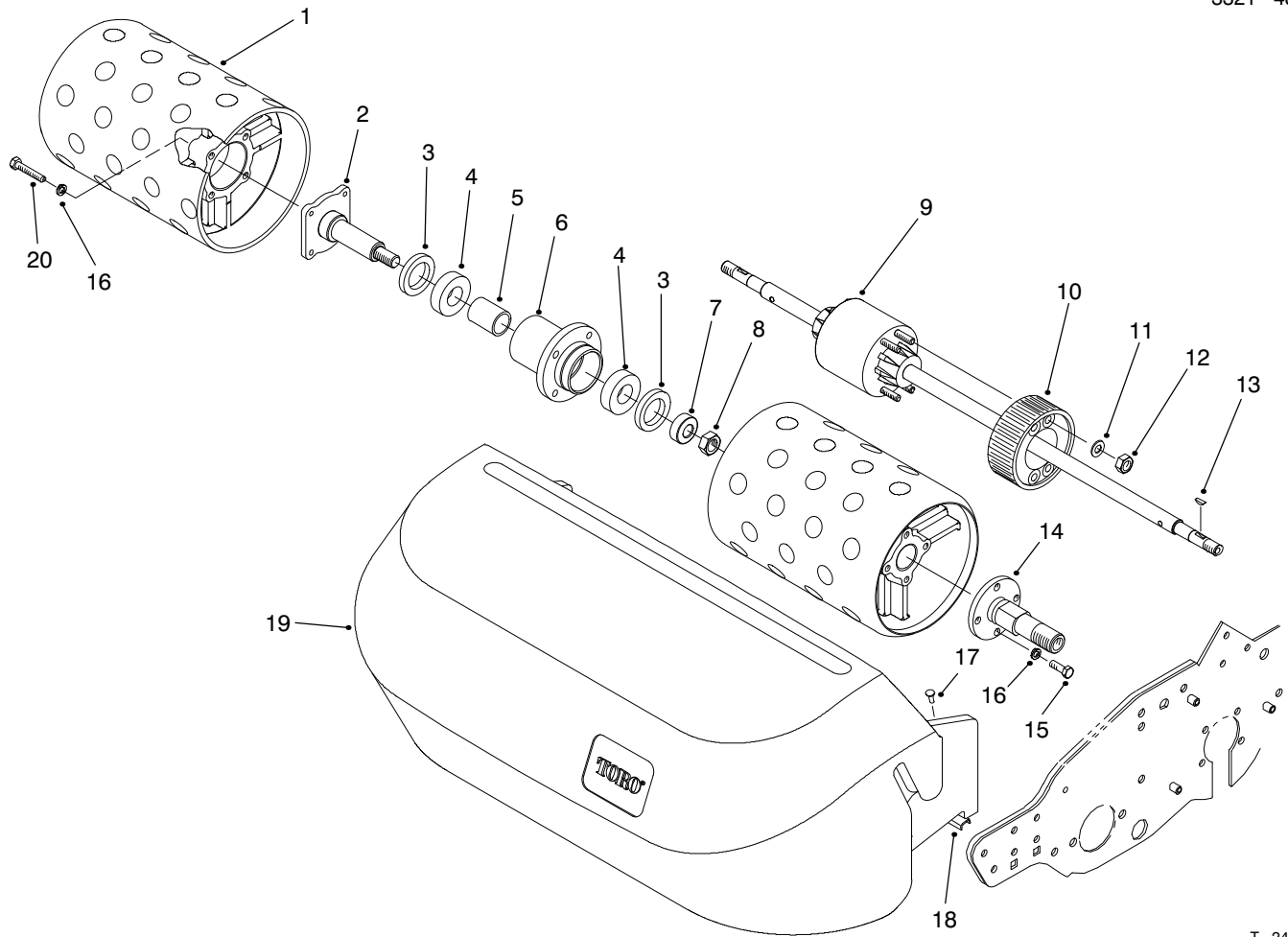


## DRUM DRIVE ASM

Ref. No.	Part No.	Description	No. Used
1	3296-39	Nut-Lock	2
2	65-8730	Clamp-Bearing	4
3	3296-29	Nut-Lock	4
4	322-3	Screw-HH	8
5	3253-4	Washer-Lock	10
7	322-5	Screw-HH	4
8	38-7820	Bearing-Ball	2
9	32120-42	Ring-Retaining	2
10	88-7200	Washer-Flat	2
11	88-7530	Spacer	2
12	88-7470	Housing-LH	1
*	88-7490	Housing-RH	1
13	88-7190	Spacer-Pulley Support	2
14	88-7850	Asm-Pulley, Idler (Incl. Ref. #4-5 & 8-10)	1
15	253-160	Seal	4
16	251-338	Bearing	2
17	86-7130	Spacer	2
18	65-6660	Pulley	2
19	3296-57	Nut-Lock	2
20	253-161	Seal-V-Ring	2
21	94-9018	Washer	2
22	88-7680	Cover-Drum Belt LH	1
*	88-7690	Cover-Drum Belt RH	1
23	88-7580	Shaft-Wheel, LH	1
*	88-7590	Shaft-Wheel, RH	1
24	68-9420	Washer-Lock	6
25	65-7970	Rim-Shallow	2
26	65-7940	Tire	2
27	65-7960	Rim-Deep	2
28	88-7610	Hub	2

Ref. No.	Part No.	Description	No. Used
29	65-8020	Lever-Retaining	2
30	65-8050	Spring	2
31	65-8030	Bolt-Mounting, Long	2
32	65-8040	Bolt-Mounting, Short	2
33	48-7700	Screw-HH	6
34	65-7950	Tube W/Valve Stem	2
35	48-7610	Screw-HH	8
36	33003-00	Nut-Flange	8
37	321-11	Screw-HH	8
38	3254-8	Washer-Lock, Int. Tooth	8
39	323-7	Screw-HH	2
40	65-6220	Cover-Bearing	1
41	88-7810	Seal-Strip, Drum Cover	1
42	92-7302	Nut-Bearing Lock	1
43	253-163	Seal	1
44	94-9017	Pulley-LH	1
*	94-9016	Pulley-RH	1
45	65-5210	Belt	1
46	88-7540	Washer-Backup	2
47	251-342	Bearing	1
48	65-8640	Housing-Bearing	1
49	302-5	Fitting-Grease	3
50	253-96	Seal	1
51	65-6590	Flangette	2
52	88-7880	Bearing	2
53	302-40	Fitting-Grease 90°	2
54	65-8720	Closure	2
55	95-0923	Flangette	2
*	88-7570	Asm-Wheel, Transport (Incl. Ref. #24-36)	2

\* Not Illustrated

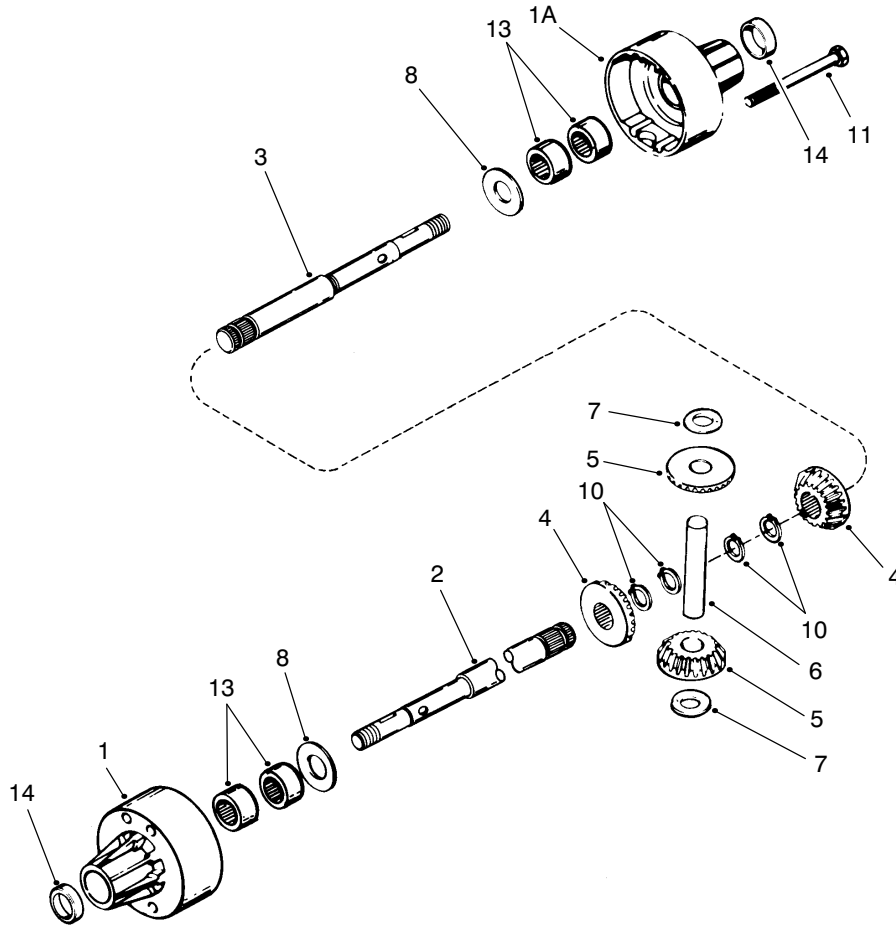


T-2402

## DRUM AND BASKET ASM

Ref. No.	Part No.	Description	No. Used
1	93-9042	Drum-Long	2
2	94-5850	Spindle-Drum	1
3	253-159	Seal-Spring Lip	2
4	251-257	Bearing	2
5	65-6520	Spacer-Bearing	1
6	94-5852	Hub-Drum	1
7	65-6530	Spacer-Seal	1
8	3296-33	Nut-Lock	1
9	93-9041	Differential	
		Peerless Model 100-116	1
10	65-9120	Pulley-Differential	1
11	3256-23	Washer-Flat	4

Ref. No.	Part No.	Description	No. Used
12	3296-29	Nut-Lock	4
13	3257-30	Key-Woodruff	2
14	88-7520	Shaft-Drum LH	1
*	88-7510	Shaft-Drum RH	1
15	322-5	Screw-HH	8
16	3253-4	Washer-Lock	16
17	3290-409	Rivet	9
18	94-5894	Channel-Basket	1
19	94-5893	Basket-Grass	
		(Incl. Ref. #17 & 18)	1
20	322-9	Screw-HH	8



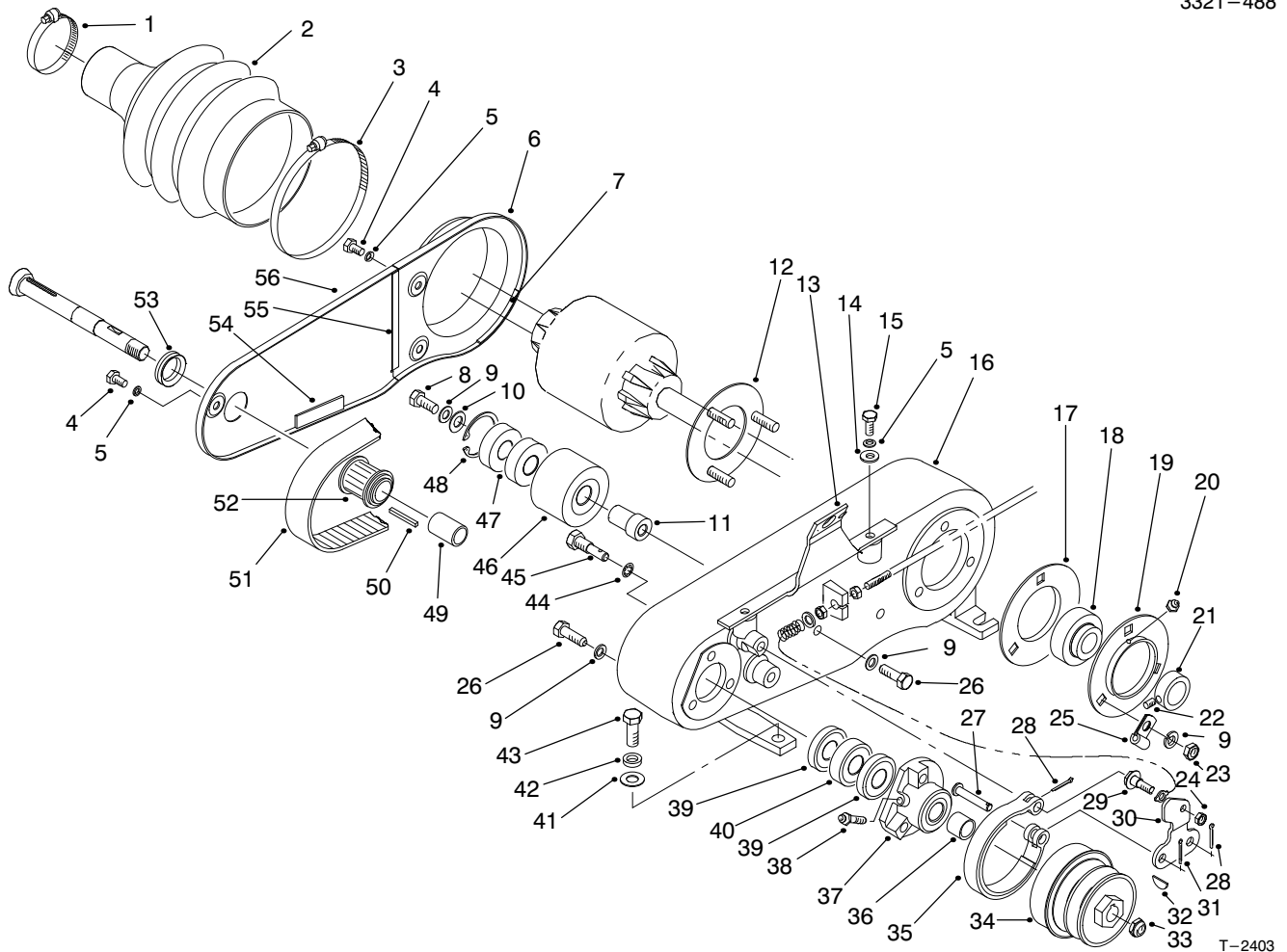
T-1571

## DIFFERENTIAL ASM PEERLESS MODEL NO. 100-116

Ref. No.	Part No.	Description	No. Used
1	95-5741	Housing Differential Carrier (Incl. Ref. #13 & 14)	1
1A	95-5740	Housing Differential Carrier (Incl. Ref. #13 & 14)	1
2	95-5743	Axle (Long) 23.097"	1
3	95-5742	Axle (Short) 9.118"	1
4	95-5749	Gear Bevel	2
5	95-5748	Gear Pinion	2
6	95-5747	Pin Drive	1

Ref. No.	Part No.	Description	No. Used
7	95-5744	Washer Thrust	2
8	95-5745	Washer	2
10	95-5746	Ring-Retaining (Pkg. of 2)	4
11	95-5739	Screw Flanged Hex Hd.	4
13	95-5738	Bearing Needle	4
14	95-5737	Seal Oil	2
*	95-5734	Betonite Grease 32 oz. Bottle	1

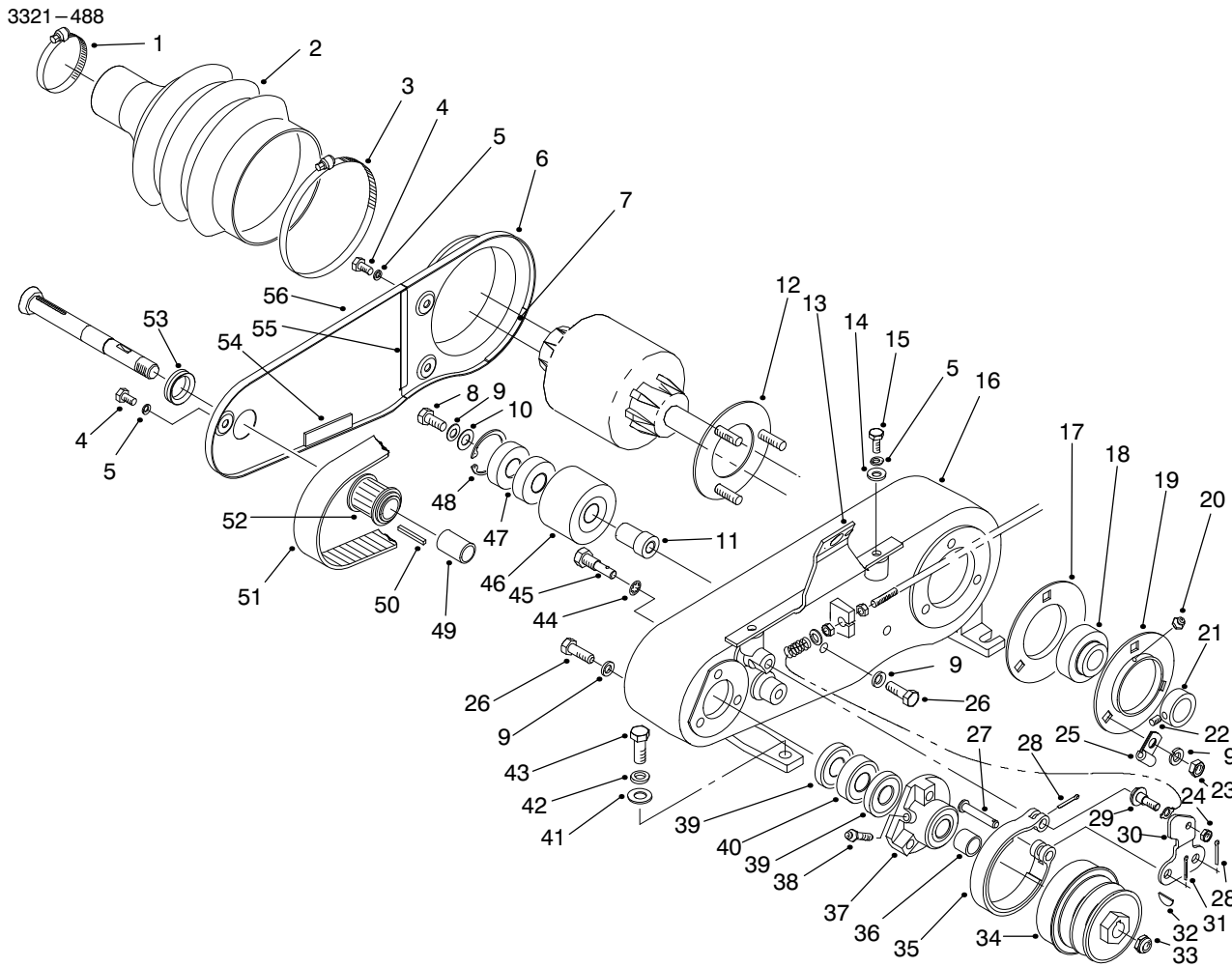
\* Not Illustrated



T-2403

## COUNTERSHAFT ASM

Ref. No.	Part No.	Description	No. Used	Ref. No.	Part No.	Description	No. Used
1	2412-139	Clamp-Hose	1	25	88-7970	Clip	1
2	94-5866	Boot-Differential	1	26	322-5	Screw-HH	4
3	2412-140	Clamp-Hose	1	27	283-75	Pin-Clevis	1
4	321-2	Screw-HH	3	28	3272-6	Pin-Cotter	2
5	3253-3	Washer-Lock	5	29	11-9030	Bolt-Shoulder	1
6	88-7250	Cover-Box Rear	1	30	65-8610	Lever-Brake	1
7	65-6902	Strip-Cover Seal	1	31	3272-8	Pin-Cotter	1
8	322-3	Screw-HH	1	32	3257-30	Key-Woodruff	1
9	3253-4	Washer-Lock	7	33	3296-57	Nut-Lock	1
10	88-7200	Washer-Flat	1	34	92-9212	Pulley-Input Shaft	1
11	88-7380	Spacer-Pulley Support	1	35	65-8700	Band-Brake	1
12	65-6720	Plate-Screw	1	36	86-7130	Spacer-Short	1
13	93-1448	Asm-Cover, Bracket	1	37	65-6760	Housing-Bearing	1
14	3256-22	Washer-Flat	2	38	302-64	Fitting-Grease	1
15	321-3	Screw-HH	2	39	253-160	Seal	2
16	88-7230	Housing-Countershaft	1	40	251-338	Bearing	1
17	65-6710	Flangette	1	41	3256-24	Washer-Flat	4
18	251-343	Bearing (Incl. Ref. #21 & 22)	1	42	3253-21	Washer-Lock	4
19	65-6700	Flangette (Incl. Ref. #20)	1	43	323-5	Screw-HH	4
20	302-55	Fitting-Grease	1	44	3254-6	Washer-Lock, Int. Tooth	2
21		Collar-Locking	1	45	65-6810	Support-Brake	2
22		Screw-Set	2	46	88-7370	Pulley-Idler	1
23	3218-2	Nut-Jam	3	47	38-7820	Bearing-Ball	2
24	3296-42	Nut-Lock	1	48	32120-42	Ring-Retaining	1
				49	86-7140	Spacer-Long	1
				50	65-6850	Key	1



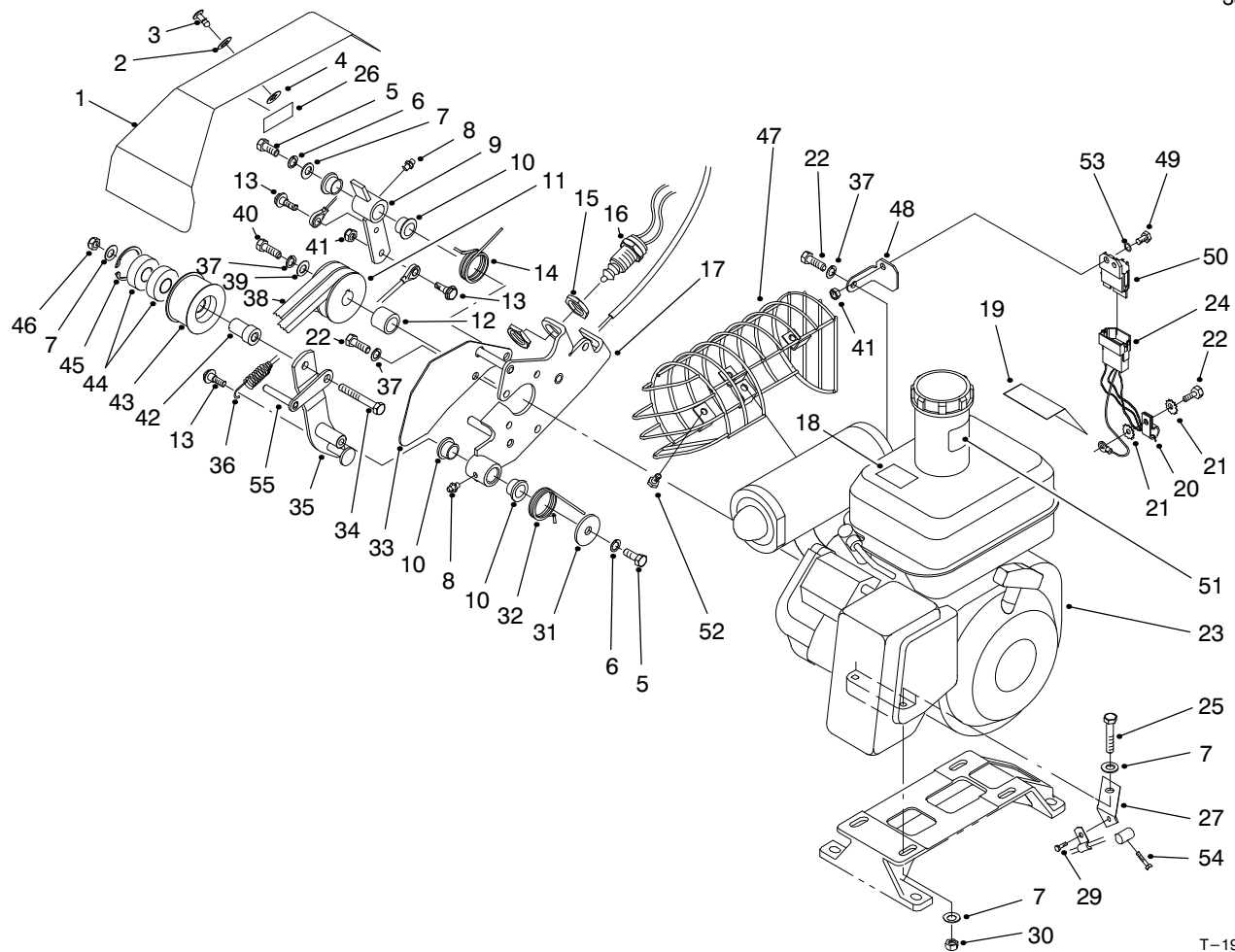
T-2403

## COUNTERSHAFT ASM (Continued)

Ref. No.	Part No.	Description	No. Used
51	65-9080	Belt	1
52	65-8910	Pulley-Countershaft	1
53	88-7710	Seal-Countershaft	1
54	65-6901	Strip-Cover Seal	1

Ref. No.	Part No.	Description	No. Used
55	65-6903	Strip-Cover Seal	1
56	88-7240	Cover-Box Front	1
*	88-7870	Asm-Pulley, Idler (Incl. Ref. #9-11 & 46-49)	1

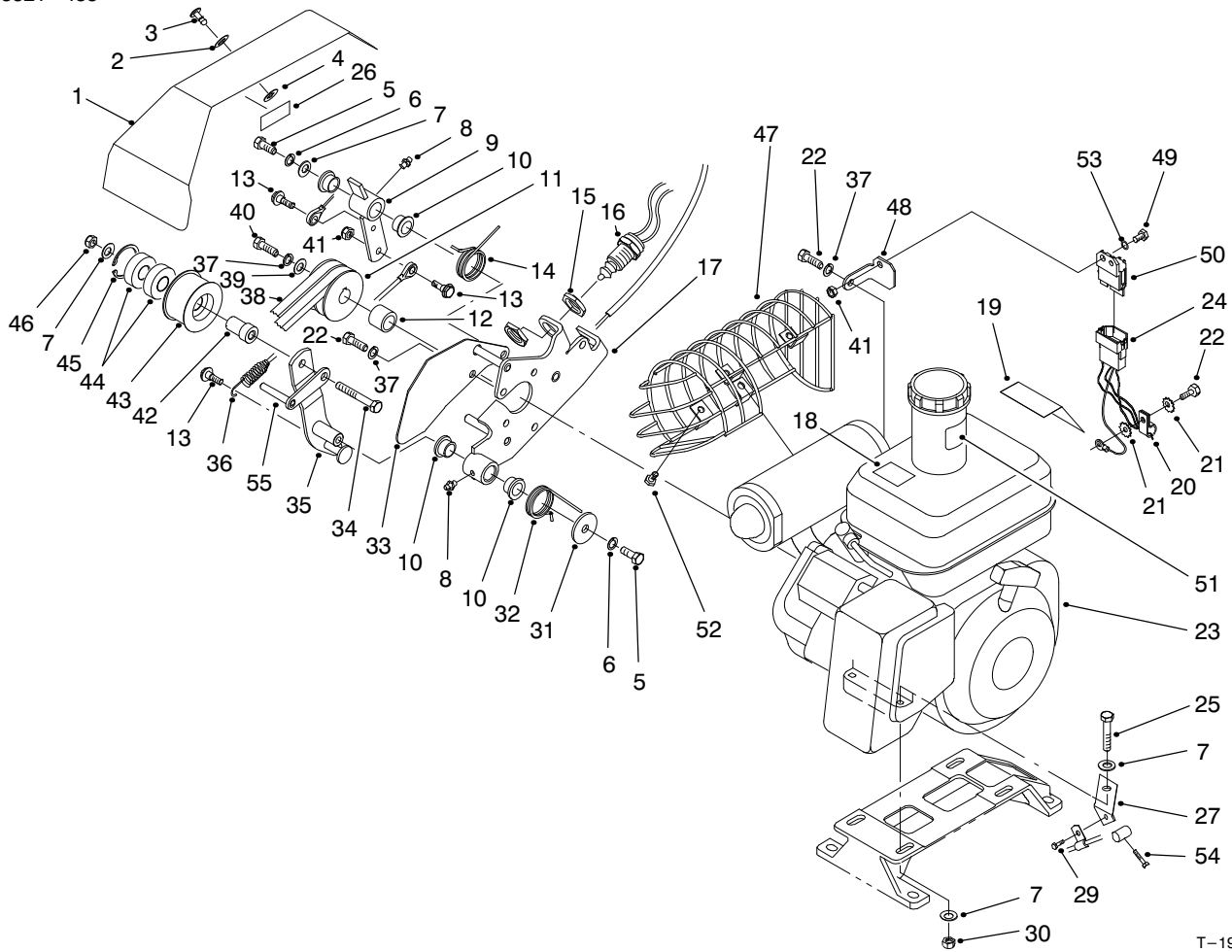
\* Not Illustrated



T-1996-7

## ENGINE AND BELLCRANK ASM

Ref. No.	Part No.	Description	No. Used	Ref. No.	Part No.	Description	No. Used
1	94-9007	Cover-Bellcrank (Incl. Ref. #26)	1	21	3255-9	Washer-External Lock	2
2	3256-2	Washer-Flat	1	22	33114-016	Screw-HH	7
3	93-6074	Stud	1	23	94-9003	Asm-Engine Kawasaki Model FE120G-DS00 (Incl. Ref. #18-19 & 51)	1
4	93-6073	Retainer	1	24	94-5862	Harness-Wire	1
5	323-4	Screw-HH	2	24	94-5865	Harness-Wire (Europe)	1
6	3253-21	Washer-Spring Lock	2	25	322-9	Screw-HH	4
7	3256-56	Washer-Flat	10	26	67-5360	Decal-Danger	1
8	302-5	Fitting-Grease	2	26	93-7273	Decal-Danger (Europe)	1
9	93-6014	Lever	1	26	84-7280	Decal-Danger (Japan)	1
10	65-8770	Bushing	4	27	88-7960	Bracket-Throttle Cable	1
11	92-9216	Pulley-Input Drive	1	29	32144-73	Screw-HWHTF	1
12	65-8260	Spacer-Engine Shaft	1	30	3296-29	Nut-Lock	4
13	11-9030	Bolt-Shoulder	3	31	93-6099	Washer	1
14	93-6011	Spring-Torsion	1	32	93-6012	Spring-Torsion, Clutch	1
15	3218-20	Nut-Jam	2	33	93-6013	Shield-Belt	1
16	87-5490	Switch (Incl. Ref. #15)	1	34	323-11	Screw-HH	1
17	93-6015	Bracket-Clutch	1	35	93-6003	Lever-Clutch	1
18	63-8440	Decal-Hot	1	36	93-9024	Asm-Cable, Link	1
18	93-8069	Decal-Hot (Europe)	1	37	3253-4	Washer-Spring Lock	7
18	83-2560	Decal-Hot (Japan)	1	38	92-9218	V-Belt, Matched Set	1
19	88-7620	Decal-Danger	1	39	65-8270	Washer	1
19	93-7348	Decal-Danger (Europe)	1	40	33114-025	Screw-HH	1
19	92-4813	Decal-Danger (Japan)	1	41	3296-42	Nut-Lock	4
20	2412-93	Clamp-R	1				



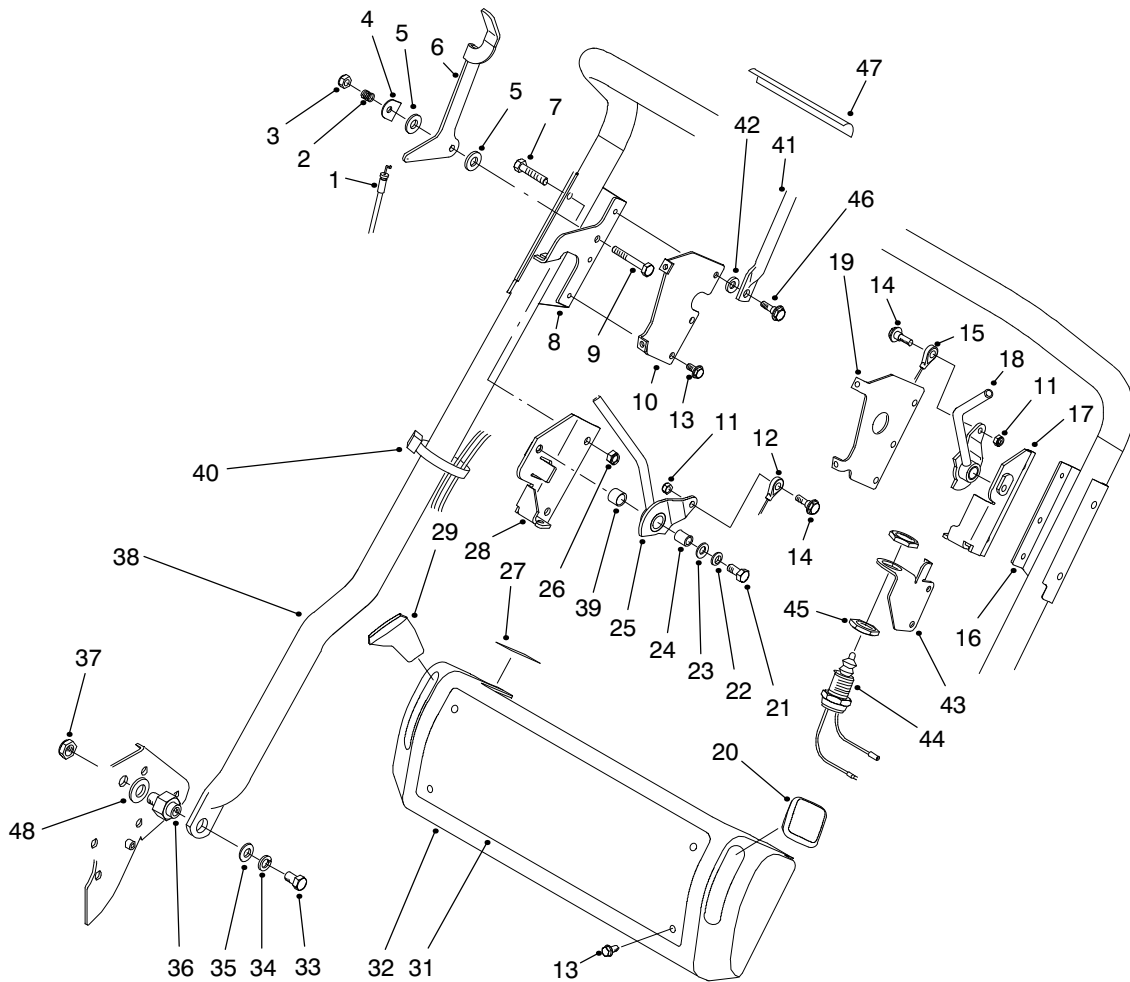
T-1996-7

## ENGINE AND BELLCRANK ASM (Continued)

Ref. No.	Part No.	Description	No. Used
42	88-7350	Spacer-Pulley Support	1
43	98-7297	Pulley-Idler	1
44	38-7820	Bearing-Ball	2
45	32120-42	Ring-Retaining	1
46	3296-39	Nut-Lock	1
47	93-6092	Guard-Muffler (Europe)	1
48	94-5861	Bracket-Module	1
49	321-3	Screw-HH	1
50	94-5860	Module-Interlock	1
50	94-3431	Module-Interlock (Europe)	1

Ref. No.	Part No.	Description	No. Used
51	53-4420	Decal-Fuel	1
51	93-9886	Decal-Fuel (Europe)	1
51	93-9886	Decal-Fuel (Japan)	1
52	33113-012	Screw-HH (Europe)	4
53	3256-22	Washer-Flat	1
54	94-9015	Screw-HH	1
55	95-0922	Guide-Belt	1
*	98-7296	Asm-Idler Pulley (Incl. Ref. #42-45)	1

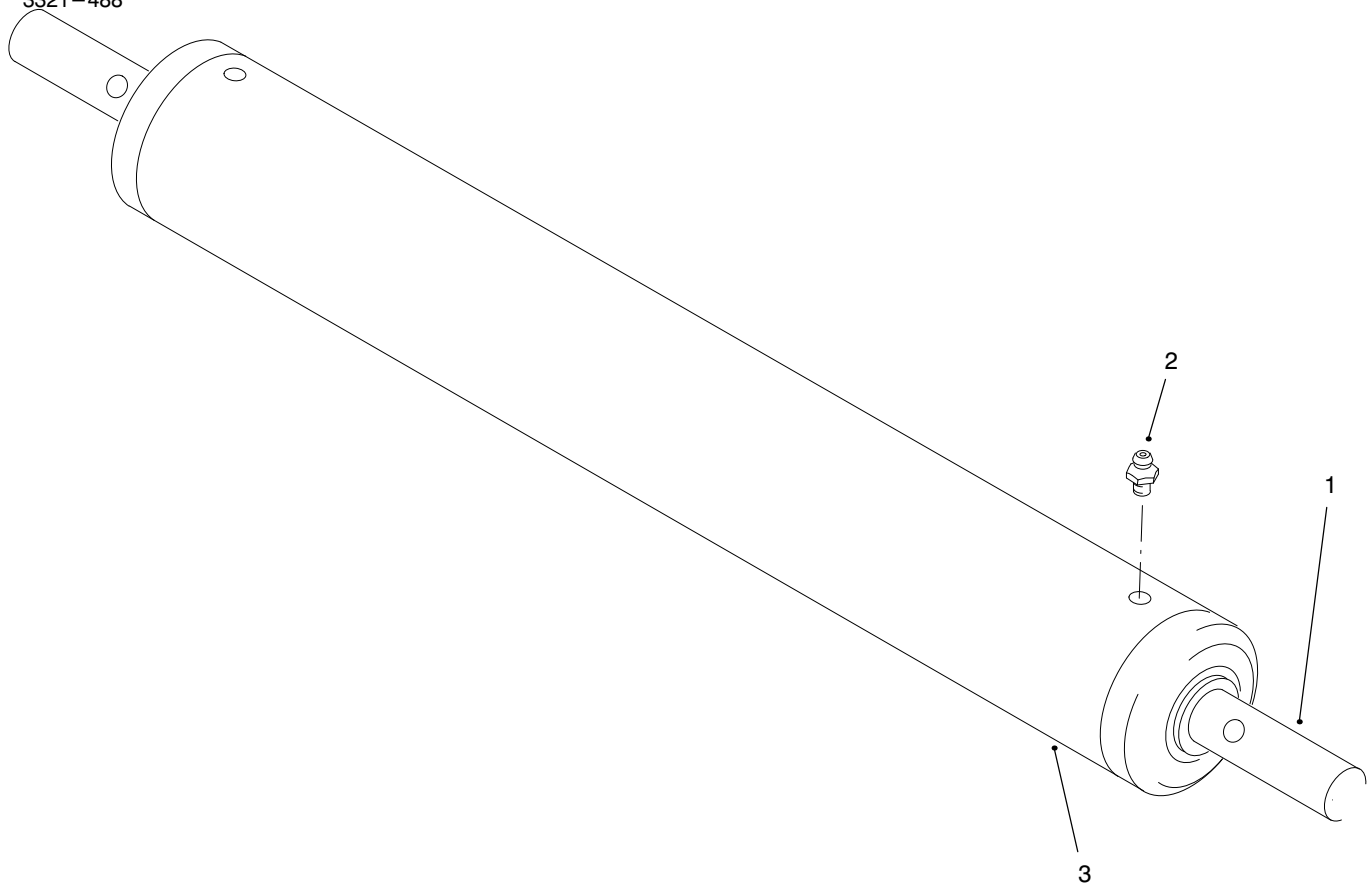
\* Not Illustrated



T-2405-4

## HANDLE ASM

Ref. No.	Part No.	Description	No. Used	Ref. No.	Part No.	Description	No. Used
1	94-5869	Cable-Throttle	1	26	3296-29	Nut-Lock	4
2	3-5787	Spring	1	27	93-6085	Decal-Throttle	1
3	3296-56	Nut-Lock	1	28	93-6019	Bracket-Clutch	1
4	93-6016	Washer-Retaining	1	29	65-8970	Knob-Black	1
5	66-2921	Washer-Friction	2	31	93-9012	Decal-Console	1
6	93-6017	Lever-Throttle	1	31	94-6313	Decal-Console (Europe)	1
7	322-9	Screw-HH	4	31	94-6314	Decal-Console (Japan)	1
8	95-0908	Bracket-Skid, Clutch	1	32	93-6036	Console	1
9	321-8	Screw-HH	1	33	323-34	Screw-HH	2
10	93-6046	Bracket-Console RH	1	34	3253-21	Washer-Lock	2
11	3296-42	Nut-Lock	2	35	3256-24	Washer-Flat	2
12	94-5870	Cable-Clutch	1	36	93-6000	Pin-Handle Pivot	2
13	93-6083	Screw	10	37	3296-28	Nut-Lock	2
13	93-6083	Screw (Europe)	8	38	93-9044	Handle	1
14	11-9030	Bolt-Shoulder	2	39	256-206	Bushing	2
15	94-5871	Cable-Brake	1	40	3290-378	Tie-Cable	2
16	95-0907	Bracket-Skid, Brake	1	41	93-9009	Asm-Bail (Europe)	1
17	93-6022	Bracket-Brake	1			(Incl. Ref. #47)	
18	93-6058	Lever-Brake	1	42	93-6079	Spacer (Europe)	2
19	93-6047	Bracket-Console LH	1	43	93-6078	Bracket-Switch (Europe)	1
20	65-8971	Knob-Red	1	44	87-5490	Switch (Europe)	1
21	3210-7	Screw-HH	2			(Incl. Ref. #45)	
22	3253-4	Washer-Lock	2	45	3218-20	Nut-Jam (Europe)	2
23	3256-23	Washer-Flat	2	46	11-9030	Bolt-Shoulder (Europe)	2
24	88-7450	Spacer	2	47	93-9008	Decal-Bail (Europe)	1
25	95-5715	Lever-Clutch	1	48	94-5868	Washer	2



T-2685-2

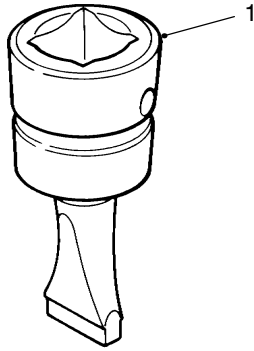
### FULL ROLLER ASM

Ref. No.	Part No.	Description	No. Used
1	52-3180	Bearing-Front Roller	2
2	302-5	Fitting-Grease	2

Ref. No.	Part No.	Description	No. Used
3	95-0930	Asm-Roller Incl. Ref. #1 & 2)	1

# SPECIAL TOOLS

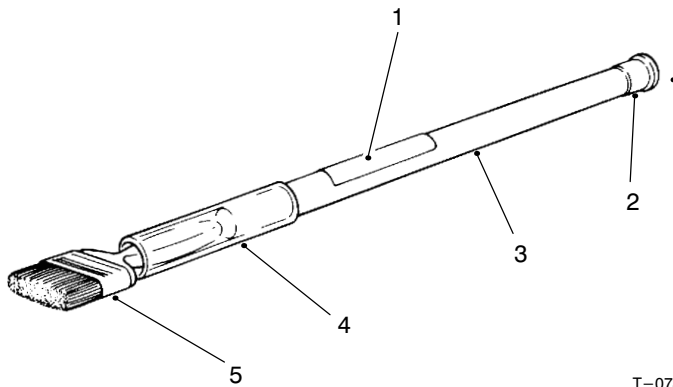
## BEDKNIFE SCREW TOOL NO. \*TOR510880



T-0729

Ref. No.	Part No.	Description	No. Used
1		Tool-Bedknife Screw	1

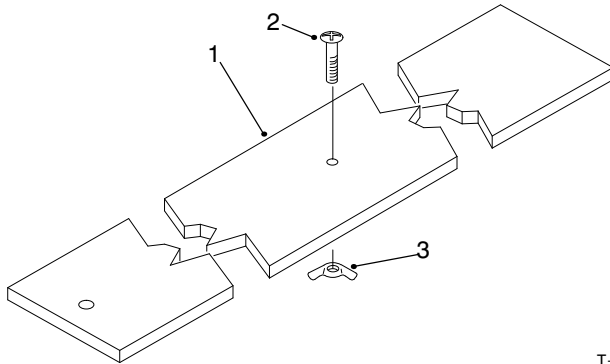
## BACKLAPPING BRUSH ASSEMBLY NO. \*TOR299100



T-0731

Ref. No.	Part No.	Description	No. Used
1	12-9140	Decal	1
2	2410-18	Plug	1
3	29-9080	Handle	1
4	29-9090	Hose-Handle	1
5	36-4310	Brush	1

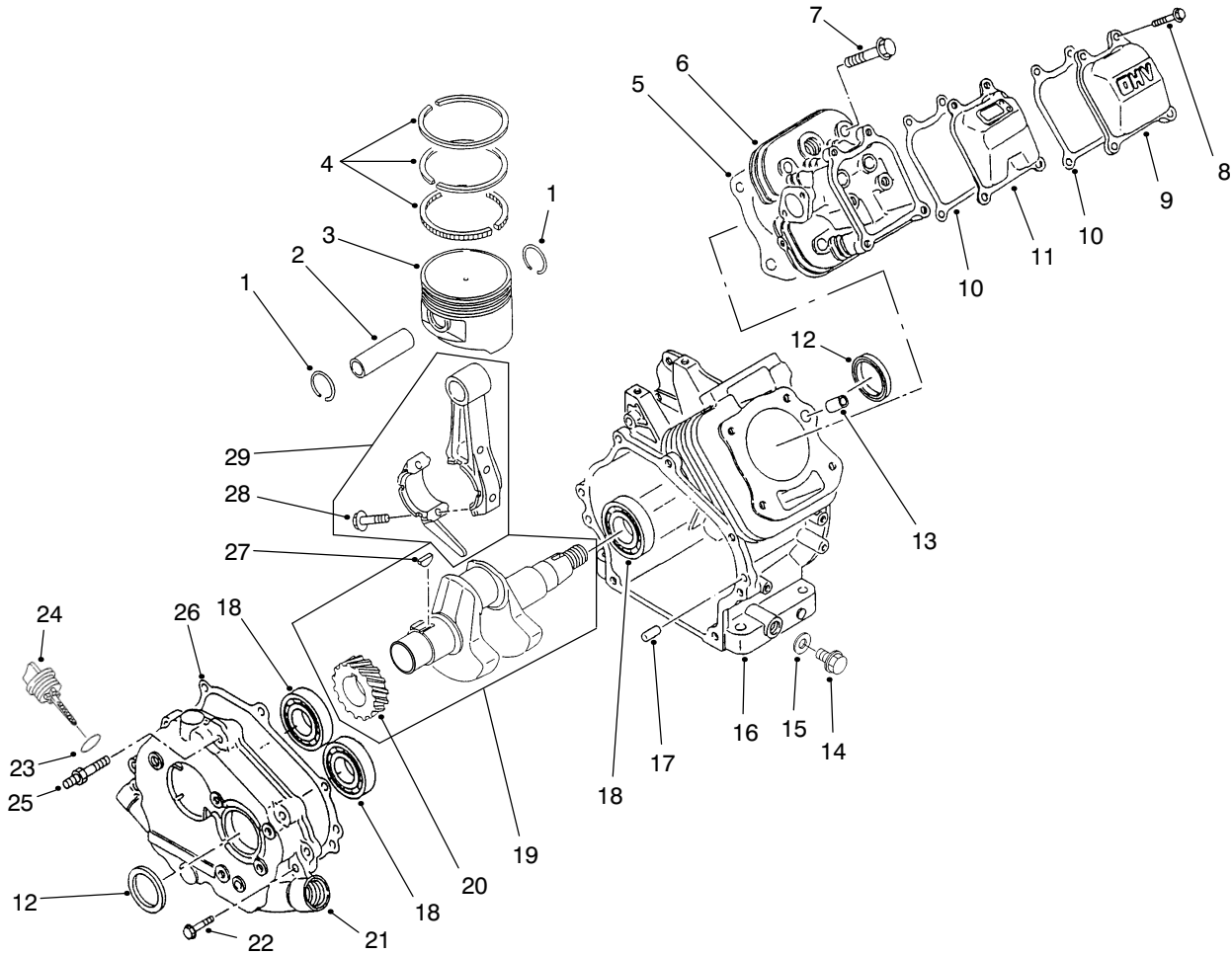
## HEIGHT-OF-CUT BAR ASSEMBLY NO. 94-9010



T-2416

Ref. No.	Part No.	Description	No. Used
1	94-9011	Bar	1
2	32122-36	Screw-Truss Hd.	1
3	32103-2	Nut-Wing	1

\*Obtain these items directly from OTC 2013 4th St. Owatonna, MN. 55060 1-800-533-0492  
(in Minnesota and Canada 1-507-455-7050) Fax. 507-455-7011.

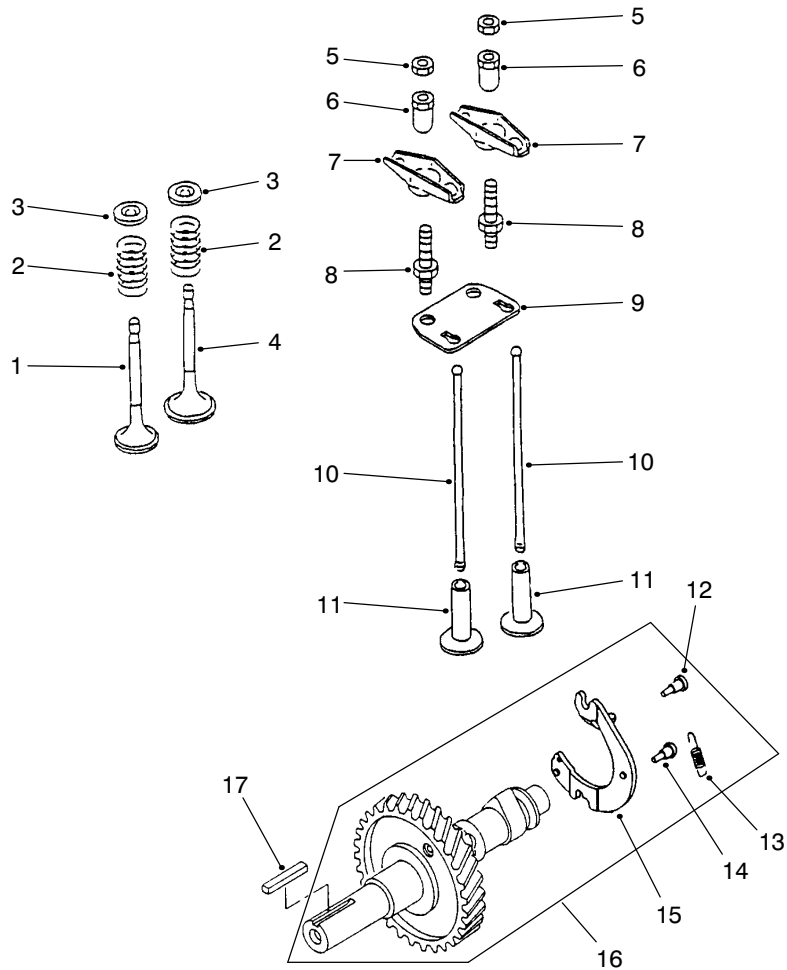


T-1623

## ENGINE CRANKCASE ASM

Ref. No.	Part No.	Description	No. Used
1	93-8500	Ring-Retaining	2
2	93-8501	Pin-Piston	1
3	93-8502	Piston	1
*	94-6836	Piston (Oversized)	1
4	93-8503	Piston Ring Set	1
*	94-6837	Piston Ring Set (Oversized)	1
5	93-8504	Gasket-Head	1
6	93-8505	Head-Cylinder	1
7	93-8506	Bolt-Flanged	4
8	94-6838	Bolt-Flanged	4
9	93-8508	Case-Rocker	1
10	93-8509	Gasket-Rocker	2
11	93-8510	Breather	1
12	93-8511	Seal-Oil	2
13	93-8512	Pin	2
14	93-8513	Plug-Drain	2
15	93-8514	Gasket-Drain Plug	2

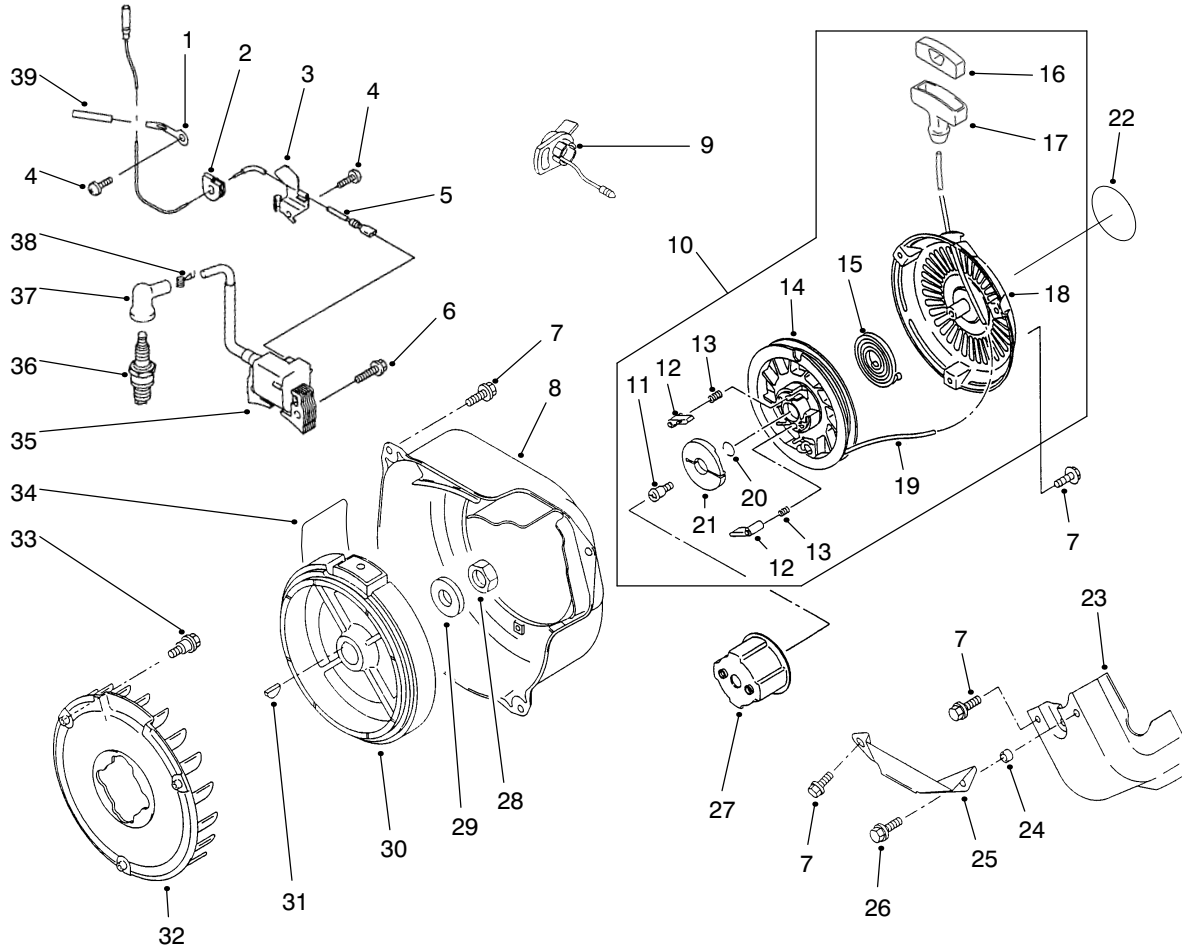
Ref. No.	Part No.	Description	No. Used
16	93-8515	Crankcase	1
17	93-8516	Pin	2
18	93-8517	Bearing-Ball	3
19	93-8518	Asm-Crankshaft (Incl. Ref. #20 & 27)	1
20	94-9043	Gear-Helical	1
21	93-8520	Cover-Crankcase	1
22	93-8521	Bolt-Flanged	7
23	94-9041	O-Ring	2
24	93-8523	Cap-Oil Filler	2
25	93-8524	Stud	1
26	93-8525	Gasket-Crankcase	1
27	93-8526	Key	1
28	93-8527	Bolt-Rod	2
29	93-8528	Asm-Connecting Rod (Incl. Ref. #28)	1



T-1624

## ENGINE CAMSHAFT & VALVES ASM

Ref. No.	Part No.	Description	No. Used	Ref. No.	Part No.	Description	No. Used
1	93-8529	Valve-Exhaust	1	10	93-8538	Rod-Push	2
2	93-8530	Spring-Valve	2	11	93-8539	Tappet	2
3	93-8531	Retainer-Spring	2	12	93-8540	Pin	2
4	93-8532	Valve-Intake	1	13	93-8541	Spring	1
5	93-8533	Nut	2	14	93-8542	Pin	1
6	93-8534	Nut	2	15	93-8543	Decompressor	1
7	93-8535	Arm-Rocker	2	16	93-8544	Asm-Camshaft (Incl. Ref. #12-15)	1
8	93-8536	Bolt	2	17	93-8545	Key	1
9	93-8537	Guide	1				

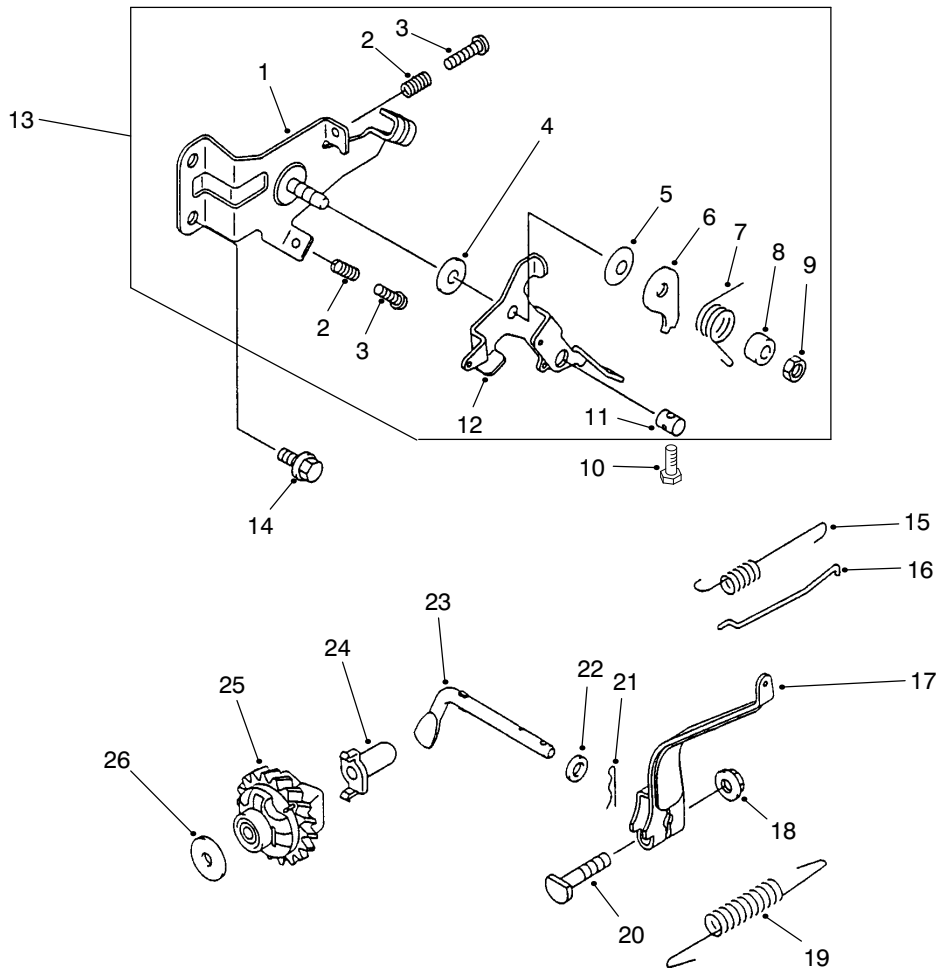


T-1625

## ENGINE IGNITION ASM

Ref. No.	Part No.	Description	No. Used
1	94-9039	Clamp	1
2	93-8582	Grommet	1
3	93-8583	Clamp	1
4	93-8549	Screw	2
5	94-9038	Lead-Wire	1
6	93-8548	Bolt-Flanged	2
7	93-8550	Bolt-Flanged	10
8	94-9047	Housing-Fan	1
9	93-8546	Switch	1
10	93-8552	Asm-Recoil Starter (Incl. Ref. #11-21)	1
11	93-8553	Screw	1
12	93-8554	Pawl-Recoil	2
13	93-8555	Spring-Return	2
14	93-8556	Reel-Recoil	1
15	93-8557	Spring	1
16	94-9044	Cap-Grip	1
17	94-9045	Grip	1
18	94-9046	Case-Recoil	1
19	93-8560	Rope	1
20	93-8561	Ring-Retaining	1

Ref. No.	Part No.	Description	No. Used
21	93-8562	Guide-Pawl	1
22	94-9027	Decal-Recoil	1
23	93-8563	Shroud-Engine	1
24	93-8564	Collar	1
25	93-8565	Shroud-Engine	1
26	93-8566	Bolt-Flanged	1
27	93-8567	Pulley-Recoil	1
28	93-8568	Nut	1
29	93-8569	Washer	1
30	94-9026	Flywheel	1
31	93-8571	Key	1
32	93-8572	Fan	1
33	94-6840	Bolt-Flanged	3
34	93-8689	Decal-Instruction	1
35	94-9031	Coil-Ignition	1
36	93-8584	Plug-Spark (NGK BPR5ES)	1
37	93-8585	Cap-Spark Plug	1
38	94-9049	Terminal	1
39	94-9040	Tube	1

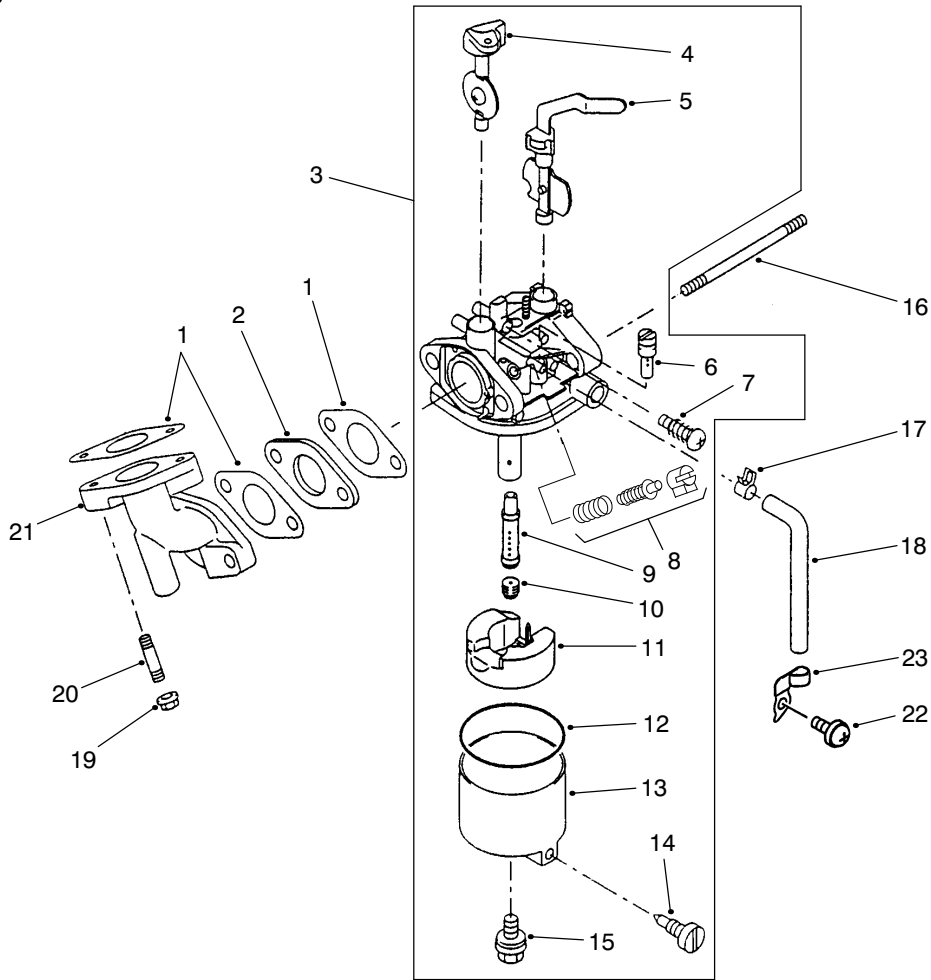


T-1618A

## ENGINE GOVERNOR ASM

Ref. No.	Part No.	Description	No. Used
1	93-8587	Panel-Control	1
2	93-8588	Spring	2
3	93-8589	Bolt	2
4	93-8590	Washer	1
5	93-8591	Spring	1
6	93-8592	Plate	1
7	93-8593	Spring	1
8	93-8594	Spacer	1
9	93-8595	Nut	1
10	94-9015	Screw-HH	1
11	93-8597	Nut	1
12	93-8598	Lever	1
13	93-8599	Asm-Control Panel (Incl. Ref. #1-12)	1

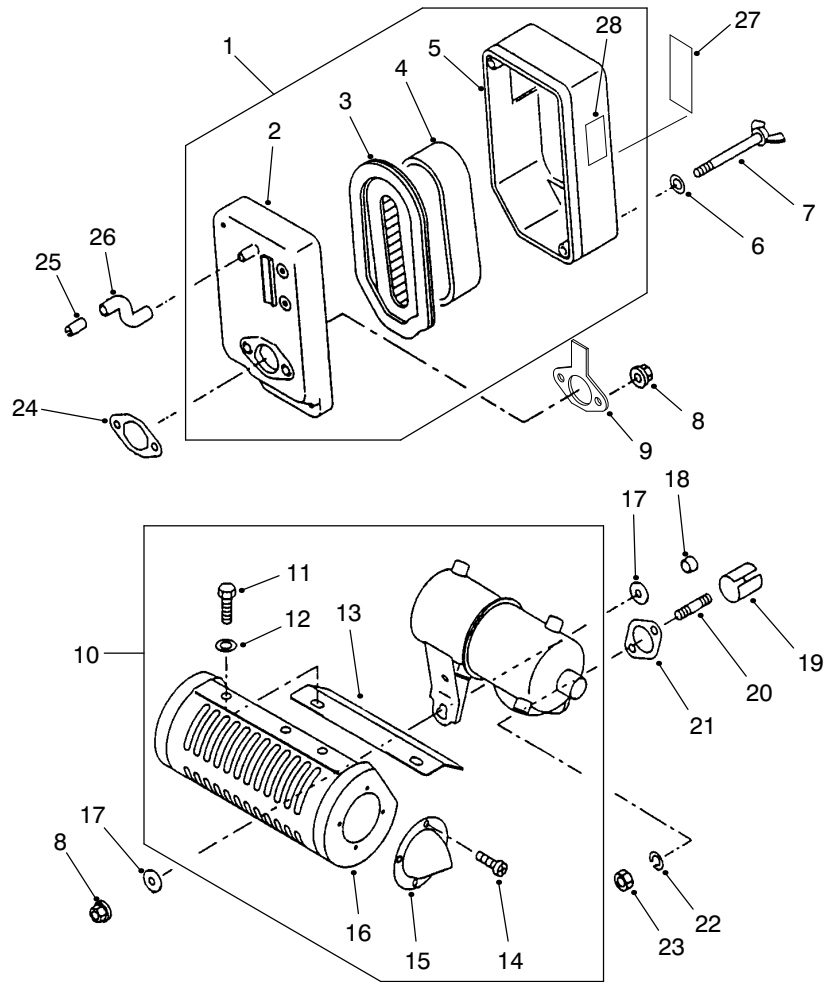
Ref. No.	Part No.	Description	No. Used
14	93-8600	Bolt-Flanged	2
15	93-8601	Spring	1
16	93-8602	Rod-Governor	1
17	93-8603	Arm-Governor	1
18	93-8631	Nut	1
19	94-9030	Spring-Governor	1
20	93-8606	Bolt	1
21	93-8607	Pin-Snap	1
22	93-8608	Washer	1
23	93-8609	Arm-Pivot	1
24	93-8610	Sleeve	1
25	94-6841	Asm-Governor	1
26	94-6842	Washer	1



T-1619A

## ENGINE CARBURETOR ASM

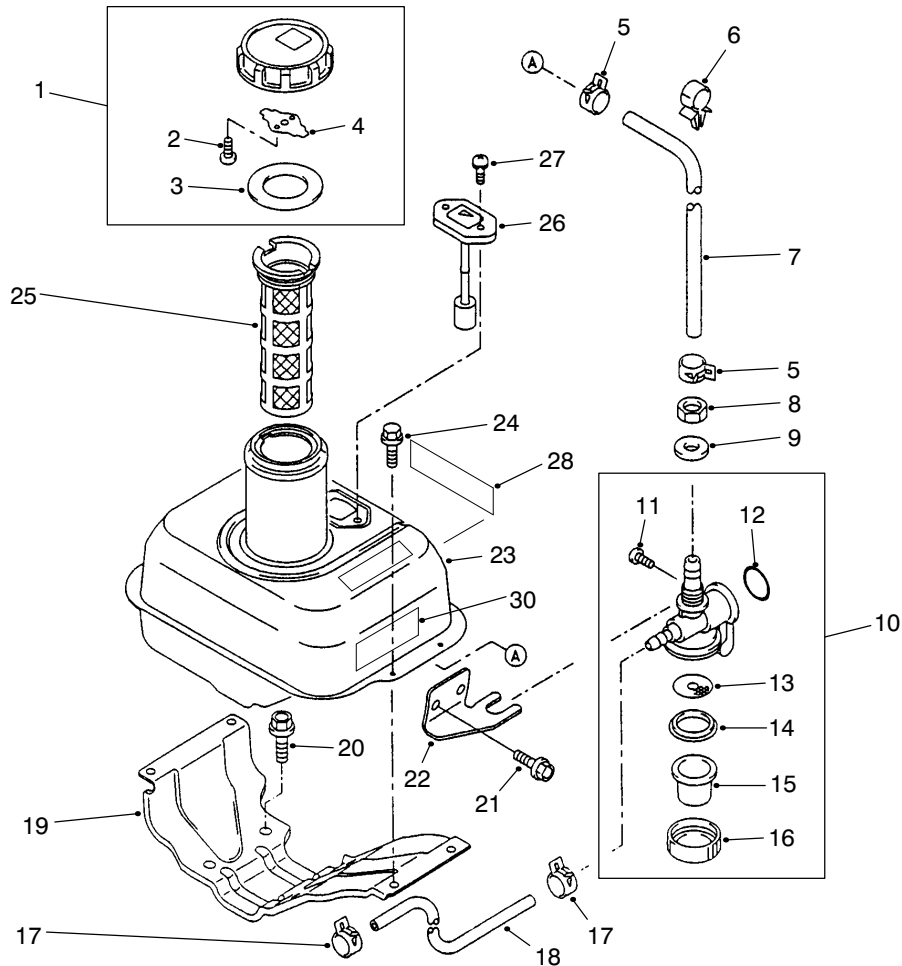
Ref. No.	Part No.	Description	No. Used	Ref. No.	Part No.	Description	No. Used
1	93-8613	Gasket-Carburetor	3	13	93-8625	Asm-Float Chamber (Incl. Ref. #14)	1
2	94-9048	Insulator	1	14	93-8626	Asm.-Screw	1
3	94-9032	Asm-Carburetor (Incl. Ref. #4-15)	1	15	93-8627	Bolt	1
4	94-9033	Valve-Throttle	1	16	93-8628	Bolt-Stud	2
5	93-8617	Valve-Choke	1	17	93-8629	Clamp	1
6	94-9037	Jet-Pilot #40	1	18	93-8630	Tube	1
7	93-8619	Asm-Screw	1	19	93-8631	Nut	2
†8		Limiter	1	20	93-8632	Bolt-Stud	2
9	94-9035	Nozzle-Main	1	21	93-8633	Pipe-Intake	1
10	94-9036	Jet-Main #65	1	22	94-6845	Screw	1
11	94-6844	Asm-Float	1	23	94-6846	Clamp	1
12	93-8624	Gasket	1				



T-1620A

## ENGINE AIR FILTER & MUFFLER ASM

Ref. No.	Part No.	Description	No. Used	Ref. No.	Part No.	Description	No. Used
1	93-8634	Asm-Air Filter (Incl. Ref. #2-5)	1	14	93-8647	Screw	4
2	93-8635	Case-Air Filter	1	15	93-8648	Pipe-Tail	1
3	93-8636	Element-Air Filter	1	16	93-8649	Cover-Muffler	1
4	93-8637	Element-Air Filter	1	17	93-8650	Washer	2
5	93-8638	Cap-Air Filter	1	18	93-8651	Collar	1
6	93-8639	Washer	22	19	93-8652	Pipe-Exhaust	1
7	93-8640	Bolt	2	20	94-6848	Bolt-Stud	2
8	93-8641	Nut	3	21	93-8654	Gasket-Muffler	1
9	93-8642	Plate-Air Filter	1	22	93-8655	Washer-Spring	2
10	93-8643	Asm-Muffler (Incl. Ref. #11-16)	1	23	93-8656	Nut-Hex.	2
11	93-8644	Bolt	4	24	93-8657	Gasket-Air Filter	1
12	93-8645	Washer	4	25	93-8658	Pipe	1
13	93-8646	Cover-Muffler	1	26	93-8659	Tube	1
				27	93-8690	Decal-Maintenance	1
				28	93-8687	Decal-Choke	1



T-1621A

## ENGINE FUEL TANK ASM

Ref. No.	Part No.	Description	No. Used
1	93-8660	Asm-Fuel Cap (Incl. Ref. #2-4)	1
2	93-8661	Screw	2
3	93-8662	Gasket	1
4	93-8663	Spring	1
5	93-8664	Clamp	2
6	93-8665	Clamp	1
7	93-8666	Tube	1
8	94-9042	Nut	1
9	93-8668	Washer	1
10	93-8669	Asm-Tap (Incl. Ref. #11-16)	1
11	93-8670	Screw	1
12	93-8671	O-Ring	1
13	94-6849	Filter-Tap	1
14	93-8673	Gasket	1

Ref. No.	Part No.	Description	No. Used
15	93-8674	Cup-Tap	1
16	93-8675	Nut	1
17	93-8676	Clamp	2
18	93-8677	Tube	1
19	93-8678	Bracket-Tank	1
20	94-6825	Bolt-Flanged	4
21	93-8680	Bolt-Flanged	2
22	93-8681	Bracket	1
23	93-8682	Tank-Fuel	1
24	93-8683	Bolt	4
25	94-6826	Filter-Fuel	1
26	93-8685	Gauge-Fuel	1
27	93-8686	Screw	2
28	94-9028	Decal-Model	1
30	93-8692	Decal-Warning	1

# TORO PART NUMBER INDEX

3321-488

Part No.	Description	Pg. No.	Ref. No.	Qty.	Part No.	Description	Pg. No.	Ref. No.	Qty.
3-5787	Spring	13	2	1	65-8610	Lever-Brake	9	30	1
11-9030	Bolt-Shoulder	11	13	3	65-8640	Housing-Bearing	3	41	1
11-9030	Bolt-Shoulder	13	14	2	65-8640	Housing-Bearing	6	48	1
11-9030	Bolt-Shoulder	9	29	1	65-8700	Band-Brake	9	35	1
11-9030	Bolt-Shoulder(Europe)	13	46	2	65-8720	Closure	6	54	2
12-9140	Decal	15	1	1	65-8730	Clamp-Bearing	6	2	4
29-9080	Handle	15	3	1	65-8770	Bushing	11	10	4
29-9090	Hose-Handle	15	4	1	65-8910	Pulley-Countershaft	10	52	1
36-4310	Brush	15	5	1	65-8960	Boot-Clutch	3	27	1
38-7820	Bearing-Ball	3	7	1	65-8970	Knob-Black	13	29	1
38-7820	Bearing-Ball	6	8	2	65-8971	Knob-Red	13	20	1
38-7820	Bearing-Ball	12	44	2	65-9080	Belt	10	51	1
38-7820	Bearing-Ball	9	47	2	65-9120	Pulley-Differential	7	10	1
48-7610	Screw-HH	6	35	8	66-2921	Washer-Friction	13	5	2
48-7700	Screw-HH	6	33	6	67-5360	Decal-Danger	11	26	1
52-2860	Washer	5	13	4	68-9420	Washer-Lock	6	24	6
52-2890	Bushing-SteeringLinks	2	56	2	83-2560	Decal-Hot(Japan)	11	18	1
52-2900	Washer-Poly	5	12	4	84-6560	Decal-Warning(Japan)	5	5	1
52-3180	Bearing	2	40	2	84-7280	Decal-Danger(Japan)	11	26	1
52-3180	Bearing-Front Roller	14	1	2	86-7130	Spacer	6	17	2
53-4420	Decal-Fuel	12	51	1	86-7130	Spacer-Short	9	36	1
57-4910	Screw-Special	5	17	16	86-7140	Spacer-Long	9	49	1
62-5070	Decal-Warning	5	5	1	87-5490	Switch	11	16	1
63-8440	Decal-Hot	11	18	1	87-5490	Switch(Europe)	13	44	1
63-9510	Asm-Bushing	2	57	2	88-7090	Spacer-LH	1	*	1
65-5210	Belt	6	45	1	88-7100	Spacer-RH	1	6	1
65-6200	Belt-Drive, Reel	4	57	1	88-7150	Key-Square	3	31	2
65-6220	Cover-Bearing	6	40	1	88-7170	Lever-Clutch	3	29	1
65-6270	Bolt-Bedbar	5	15	2	88-7180	Pulley-Idler	4	54	1
65-6290	Spring-Detent, Clutch	3	21	1	88-7190	Spacer-PulleySupport	6	13	2
65-6450	Bracket-Shield LH	5	11	1	88-7190	Spacer-Support, Pulley	4	53	1
65-6460	Bracket-Shield RH	5	2	1	88-7200	Washer-Flat	3	6	1
65-6520	Spacer-Bearing	7	5	1	88-7200	Washer-Flat	6	10	2
65-6530	Spacer-Seal	7	7	1	88-7200	Washer-Flat	9	10	1
65-6590	Flangette	6	51	2	88-7230	Housing-Countershaft	9	16	1
65-6660	Pulley	6	18	2	88-7240	Cover-Box Front	10	56	1
65-6700	Flangette	9	19	1	88-7250	Cover-Box Rear	9	6	1
65-6710	Flangette	9	17	1	88-7350	Spacer-PulleySupport	12	42	1
65-6720	Plate-Screw	9	12	1	88-7370	Pulley-Idler	9	46	1
65-6760	Housing-Bearing	9	37	1	88-7380	Spacer-PulleySupport	9	11	1
65-6810	Support-Brake	9	45	2	88-7450	Spacer	13	24	2
65-6850	Key	3	35	1	88-7470	Housing-LH	6	12	1
65-6850	Key	9	50	1	88-7490	Housing-RH	6	*	1
65-6901	Strip-Cover Seal	10	54	1	88-7510	Shaft-Drum RH	7	*	1
65-6902	Strip-Cover Seal	9	7	1	88-7520	Shaft-Drum LH	7	14	1
65-6903	Strip-Cover Seal	10	55	1	88-7530	Spacer	6	11	2
65-6940	Clutch-Jaw Driver	3	18	1	88-7540	Washer-Backup	6	46	2
65-6950	Clutch-Jaw Driven	3	17	1	88-7570	Asm-Wheel, Transport	6	*	
65-6960	Pulley-Reel Driven	3	15	1	88-7580	Shaft-Wheel, LH	6	23	1
65-6970	Seal-Felt	3	44	1	88-7590	Shaft-Wheel, RH	6	*	1
65-6980	Key	3	16	1	88-7610	Hub	6	28	2
65-7131	Trim-Cover, Arm	4	52	1	88-7620	Decal-Danger	11	19	1
65-7190	Cover-Arm, Groomer	4	51	1	88-7670	Base-Engine	1	26	1
65-7510	Grommet-Handle	1	27	2	88-7680	Cover-Drum Belt LH	6	22	1
65-7660	Decal-Reel Engagement	3	4	1	88-7690	Cover-Drum Belt RH	6	*	1
65-7880	Spring-Extension	1	10	1	88-7700	Cover-Reel Drive	3	3	1
65-7890	Bracket	1	9	1	88-7710	Seal-Countershaft	10	53	1
65-7900	Retainer-Spring	1	12	1	88-7720	Washer-Wave	3	45	1
65-7910	Spacer	1	17	2	88-7770	Seal-Strip, Front	4	60	1
65-7940	Tire	6	26	2	88-7780	Seal-Strip, Rear	4	59	1
65-7950	Tube W/Valve Stem	6	34	2	88-7790	Seal-Strip, Upper	4	61	1
65-7960	Rim-Deep	6	27	2	88-7800	Seal-Strip, Lower	4	58	1
65-7970	Rim-Shallow	6	25	2	88-7810	Seal-Strip, Drum Cover	6	41	1
65-8020	Lever-Retaining	6	29	2	88-7830	Asm-Clutch & Pulley	4	*	1
65-8030	Bolt-Mounting, Long	6	31	2	88-7840	Asm-Pulley & Drive	4	56	1
65-8040	Bolt-Mounting, Short	6	32	2	88-7850	Asm-Pulley, Idler	4	*	1
65-8050	Spring	6	30	2	88-7850	Asm-Pulley, Idler	6	14	1
65-8260	Spacer-Engine Shaft	11	12	1	88-7860	Spacer	3	26	1
65-8270	Washer	11	39	1	88-7870	Asm-Pulley, Idler	10	*	1
65-8290	Standoff-Cover	3	48	2	88-7880	Bearing	6	52	2

\*Not Illustrated

# TORO PART NUMBER INDEX (Cont.)

Part No.	Description	Pg. No.	Ref. No.	Qty.	Part No.	Description	Pg. No.	Ref. No.	Qty.
88-7960	Bracket-ThrottleCable	11	27	1	93-8511	Seal-Oil	16	12	2
88-7970	Clip	9	25	1	93-8512	Pin	16	13	2
88-8950	Decal-Warning, Belt	1	4	3	93-8513	Plug-Drain	16	14	2
92-4813	Decal-Danger (Japan)	11	19	1	93-8514	Gasket-Drain Plug	16	15	2
92-4817	Decal-ReelEngagement	3	4	1	93-8515	Crankcase	16	16	1
92-7302	Nut-BearingLock	6	42	1	93-8516	Pin	16	17	2
92-8013	Housing-Clutch	3	33	1	93-8517	Bearing-Ball	16	18	3
92-8914	Bolt-Tapered Face	2	47	4	93-8518	Asm-Crankshaft	16	19	1
92-9212	Pulley-Input Shaft	9	34	1	93-8520	Cover-Crankcase	16	21	1
92-9216	Pulley-Input Drive	11	11	1	93-8521	Bolt-Flanged	16	22	7
92-9218	V-Belt, Matched Set	11	38	1	93-8523	Cap-Oil Filler	16	24	2
93-1448	Asm-Cover, Bracket	9	13	1	93-8524	Stud	16	25	1
93-6000	Pin-Handle Pivot	13	36	2	93-8525	Gasket-Crankcase	16	26	1
93-6003	Lever-Clutch	11	35	1	93-8526	Key	16	27	1
93-6011	Spring-Torsion	11	14	1	93-8527	Bolt-Rod	16	28	2
93-6012	Spring-Torsion, Clutch	11	32	1	93-8528	Asm-Connecting Rod	16	29	1
93-6013	Shield-Belt	11	33	1	93-8529	Valve-Exhaust	17	1	1
93-6014	Lever	11	9	1	93-8530	Spring-Valve	17	2	2
93-6015	Bracket-Clutch	11	17	1	93-8531	Retainer-Spring	17	3	2
93-6016	Washer-Retaining	13	4	1	93-8532	Valve-Intake	17	4	1
93-6017	Lever-Throttle	13	6	1	93-8533	Nut	17	5	2
93-6019	Bracket-Clutch	13	28	1	93-8534	Nut	17	6	2
93-6022	Bracket-Brake	13	17	1	93-8535	Arm-Rocker	17	7	2
93-6024	Bushing-Handle, Support	2	29	2	93-8536	Bolt	17	8	2
93-6029	Pin-Ring	2	31	2	93-8537	Guide	17	9	1
93-6036	Console	13	32	1	93-8538	Rod-Push	17	10	2
93-6037	Arm-Handle, RH	2	*	1	93-8539	Tappet	17	11	2
93-6038	Arm-Handle, LH	2	28	1	93-8540	Pin	17	12	2
93-6046	Bracket-ConsoleRH	13	10	1	93-8541	Spring	17	13	1
93-6047	Bracket-ConsoleLH	13	19	1	93-8542	Pin	17	14	1
93-6048	Bracket-HOC, RH	2	*	1	93-8543	Decompressor	17	15	1
93-6049	Bracket-HOC, LH	2	39	1	93-8544	Asm-Camshaft	17	16	1
93-6051	Screw-Height-of-Cut	2	34	2	93-8545	Key	17	17	1
93-6058	Lever-Brake	13	18	1	93-8546	Switch	18	9	1
93-6064	Seal-Grass Catcher	2	48	1	93-8548	Bolt-Flanged	18	6	2
93-6073	Retainer	11	4	1	93-8549	Screw	18	4	2
93-6074	Stud	11	3	1	93-8550	Bolt-Flanged	18	7	10
93-6078	Bracket-Switch(Europe)	13	43	1	93-8552	Asm-Recoil Starter	18	10	1
93-6079	Spacer (Europe)	13	42	2	93-8553	Screw	18	11	1
93-6083	Screw	13	13	10	93-8554	Pawl-Recoil	18	12	2
93-6083	Screw (Europe)	13	13	8	93-8555	Spring-Return	18	13	2
93-6085	Decal-Throttle	13	27	1	93-8556	Reel-Recoil	18	14	1
93-6090	Arm-Height-of-Cut	2	38	2	93-8557	Spring	18	15	1
93-6092	Guard-Muffler (Europe)	12	47	1	93-8560	Rope	18	19	1
93-6098	Decal-Service	5	4	1	93-8561	Ring-Retaining	18	20	1
93-6099	Washer	11	31	1	93-8562	Guide-Pawl	18	21	1
93-7252	Decal-CE Mark (Europe)	1	22	1	93-8563	Shroud-Engine	18	23	1
93-7273	Decal-Danger(Europe)	11	26	1	93-8564	Collar	18	24	1
93-7285	Decal-Service(Danish)	5	4	1	93-8565	Shroud-Engine	18	25	1
93-7286	Decal-Service(Dutch)	5	4	1	93-8566	Bolt-Flanged	18	26	1
93-7287	Decal-Service(Finnish)	5	4	1	93-8567	Pulley-Recoil	18	27	1
93-7288	Decal-Service(Italian)	5	4	1	93-8568	Nut	18	28	1
93-7289	Decal-Service(Norwegian)	5	4	1	93-8569	Washer	18	29	1
93-7290	Decal-Service	5	4	1	93-8571	Key	18	31	1
93-7291	Decal-Service(Swedish)	5	4	1	93-8572	Fan	18	32	1
93-7346	Decal-ReelEngagement	3	4	1	93-8582	Grommet	18	2	1
93-7348	Decal-Danger(Europe)	11	19	1	93-8583	Clamp	18	3	1
93-7842	Decal-Blank (Japan)	1	22	1	93-8584	Plug-Spark	18	36	1
93-8064	Decal-Warning (Europe)	5	5	1	93-8585	Cap-Spark Plug	18	37	1
93-8069	Decal-Hot(Europe)	11	18	1	93-8587	Panel-Control	19	1	1
93-8500	Ring-Retaining	16	1	2	93-8588	Spring	19	2	2
93-8501	Pin-Piston	16	2	1	93-8589	Bolt	19	3	2
93-8502	Piston	16	3	1	93-8590	Washer	19	4	1
93-8503	Piston Ring Set	16	4	1	93-8591	Spring	19	5	1
93-8504	Gasket-Head	16	5	1	93-8592	Plate	19	6	1
93-8505	Head-Cylinder	16	6	1	93-8593	Spring	19	7	1
93-8506	Bolt-Flanged	16	7	4	93-8594	Spacer	19	8	1
93-8508	Case-Rocker	16	9	1	93-8595	Nut	19	9	1
93-8509	Gasket-Rocker	16	10	2	93-8597	Nut	19	11	1
93-8510	Breather	16	11	1	93-8598	Lever	19	12	1

\*Not Illustrated

# TORO PART NUMBER INDEX (Cont.)

Part No.	Description	Pg. No.	Ref. No.	Qty.	Part No.	Description	Pg. No.	Ref. No.	Qty.
93-8599	Asm-Control Panel	19	13	1	93-8685	Gauge-Fuel	22	26	1
93-8600	Bolt-Flanged	19	14	2	93-8686	Screw	22	27	2
93-8601	Spring	19	15	1	93-8687	Decal-Choke	21	28	1
93-8602	Rod-Governor	19	16	1	93-8689	Decal-Instruction	18	34	1
93-8603	Arm-Governor	19	17	1	93-8690	Decal-Maintenance	21	27	1
93-8606	Bolt	19	20	1	93-8692	Decal-Warning	22	30	1
93-8607	Pin-Snap	19	21	1	93-9008	Decal-Bail(Europe)	13	47	1
93-8608	Washer	19	22	1	93-9009	Asm-Bail(Europe)	13	41	1
93-8609	Arm-Pivot	19	23	1	93-9012	Decal-Console	13	31	1
93-8610	Sleeve	19	24	1	93-9014	Pin-Actuator, Clutch	3	20	1
93-8613	Gasket-Carburetor	20	1	3	93-9015	Bedknife-1/8"	5	18	1
93-8617	Valve-Choke	20	5	1	93-9017	Rod-Basket, RH	2	*	1
93-8619	Asm-Screw	20	7	1	93-9018	Rod-Basket, LH	2	41	1
93-8624	Gasket	20	12	1	93-9019	Kickstand	1	23	1
93-8625	Asm-Float Chamber	20	13	1	93-9024	Asm-Cable, Link	11	36	1
93-8626	Asm.-Screw	20	14	1	93-9026	Frame-Rear	2	49	1
93-8627	Bolt	20	15	1	93-9029	Reel-8 Blade	5	16	1
93-8628	Bolt-Stud	20	16	2	93-9032	Frame-Front	2	51	1
93-8629	Clamp	20	17	1	93-9039	Asm-Roller, Wiehle	2	42	1
93-8630	Tube	20	18	1	93-9041	Differential	7	9	1
93-8631	Nut	19	18	1	93-9042	Drum-Long	7	1	2
93-8631	Nut	20	19	2	93-9043	Washer-Belleville	1	14	32
93-8632	Bolt-Stud	20	20	2	93-9044	Handle	13	38	1
93-8633	Pipe-Intake	20	21	1	93-9049	Bedbar	5	1	1
93-8634	Asm-Air Filter	21	1	1	93-9356	Decal-Warning, Belt	1	4	3
93-8635	Case-Air Filter	21	2	1	93-9389	Decal-Warning, Belt	1	4	3
93-8636	Element-Air Filter	21	3	1	93-9391	Decal-Service(French)	5	4	1
93-8637	Element-Air Filter	21	4	1	93-9392	Decal-Service(Spanish)	5	4	1
93-8638	Cap-Air Filter	21	5	1	93-9393	Decal-Service(German)	5	4	1
93-8639	Washer	21	6	22	93-9394	Decal-Service(Japan)	5	4	1
93-8640	Bolt	21	7	2	93-9886	Decal-Fuel(Europe)	12	51	1
93-8641	Nut	21	8	3	93-9886	Decal-Fuel(Japan)	12	51	1
93-8642	Plate-Air Filter	21	9	1	94-3431	Module-Interlock(Europe)	12	50	1
93-8643	Asm-Muffler	21	10	1	94-5850	Spindle-Drum	7	2	1
93-8644	Bolt	21	11	4	94-5852	Hub-Drum	7	6	1
93-8645	Washer	21	12	4	94-5854	Adjuster-Frame, Bedbar	2	52	2
93-8646	Cover-Muffler	21	13	1	94-5856	Spring-Detent	2	53	2
93-8647	Screw	21	14	4	94-5858	Washer	1	16	2
93-8648	Pipe-Tail	21	15	1	94-5859	Washer-Hardened	1	13	2
93-8649	Cover-Muffler	21	16	1	94-5860	Module-Interlock	12	50	1
93-8650	Washer	21	17	2	94-5861	Bracket-Module	12	48	1
93-8651	Collar	21	18	1	94-5862	Harness-Wire	11	24	1
93-8652	Pipe-Exhaust	21	19	1	94-5865	Harness-Wire(Europe)	11	24	1
93-8654	Gasket-Muffler	21	21	1	94-5866	Boot-Differential	9	2	1
93-8655	Washer-Spring	21	22	2	94-5867	Rod-Support, Frame	2	54	1
93-8656	Nut-Hex.	21	23	2	94-5868	Washer	13	48	2
93-8657	Gasket-Air Filter	21	24	1	94-5869	Cable-Throttle	13	1	1
93-8658	Pipe	21	25	1	94-5870	Cable-Clutch	13	12	1
93-8659	Tube	21	26	1	94-5871	Cable-Brake	13	15	1
93-8660	Asm-Fuel Cap	22	1	1	94-5872	Shaft-Power	3	34	1
93-8661	Screw	22	2	2	94-5873	Asm-Screw	2	55	2
93-8662	Gasket	22	3	1	94-5879	Bar-Cutoff	5	3	1
93-8663	Spring	22	4	1	94-5885	Bedknife-Tournament	5	*	1
93-8664	Clamp	22	5	2	94-5893	Basket-Grass	7	19	1
93-8665	Clamp	22	6	1	94-5894	Channel-Basket	7	18	1
93-8666	Tube	22	7	1	94-6313	Decal-Console(Europe)	13	31	1
93-8668	Washer	22	9	1	94-6314	Decal-Console(Japan)	13	31	1
93-8669	Asm-Tap	22	10	1	94-6825	Bolt-Flanged	22	20	4
93-8670	Screw	22	11	1	94-6826	Filter-Fuel	22	25	1
93-8671	O-Ring	22	12	1	94-6836	Piston(Oversized)	16	*	1
93-8673	Gasket	22	14	1	94-6837	Piston Ring Set(Oversized)	16	*	1
93-8674	Cup-Tap	22	15	1	94-6838	Bolt-Flanged	16	8	4
93-8675	Nut	22	16	1	94-6840	Bolt-Flanged	18	33	3
93-8676	Clamp	22	17	2	94-6841	Asm-Governor	19	25	1
93-8677	Tube	22	18	1	94-6842	Washer	19	26	1
93-8678	Bracket-Tank	22	19	1	94-6844	Asm-Float	20	11	1
93-8680	Bolt-Flanged	22	21	2	94-6845	Screw	20	22	1
93-8681	Bracket	22	22	1	94-6846	Clamp	20	23	1
93-8682	Tank-Fuel	22	23	1	94-6848	Bolt-Stud	21	20	2
93-8683	Bolt	22	24	4	94-6849	Filter-Tap	22	13	1

\*Not Illustrated

# TORO PART NUMBER INDEX (Cont.)

Part No.	Description	Pg. No.	Ref. No.	Qty.	Part No.	Description	Pg. No.	Ref. No.	Qty.
94-9003	Asm-Engine	11	23	1	251-342	Bearing	6	47	1
94-9004	Plate-Side, RH	1	1	1	251-343	Bearing	9	18	1
94-9005	Plate-Side, LH	2	33	1	253-96	Seal	3	39	1
94-9007	Cover-Bellcrank	11	1	1	253-96	Seal	6	50	1
94-9009	Asm-Grass Shield	5	8	1	253-118	Seal	3	36	1
94-9011	Bar	15	1	1	253-159	Seal-Spring Lip	7	3	2
94-9015	Screw-HH	19	10	1	253-160	Seal	6	15	4
94-9015	Screw-HH	12	54	1	253-160	Seal	9	39	2
94-9016	Pulley-RH	6	*	1	253-161	Seal-V-Ring	6	20	2
94-9017	Pulley-LH	6	44	1	253-163	Seal	6	43	1
94-9018	Washer	6	21	2	253-163	Seal	4	50	1
94-9026	Flywheel	18	30	1	256-206	Bushing	13	39	2
94-9027	Decal-Recoil	18	22	1	283-75	Pin-Clevis	9	27	1
94-9028	Decal-Model	22	28	1	302-5	Fitting-Grease	14	2	2
94-9030	Spring-Governor	19	19	1	302-5	Fitting-Grease	11	8	2
94-9031	Coil-Ignition	18	35	1	302-5	Fitting-Grease	3	32	2
94-9032	Asm-Carburetor	20	3	1	302-5	Fitting-Grease	2	43	2
94-9033	Valve-Throttle	20	4	1	302-5	Fitting-Grease	6	49	3
94-9035	Nozzle-Main	20	9	1	302-40	Fitting-Grease90°	6	53	2
94-9036	Jet-Main #65	20	10	1	302-55	Fitting-Grease	9	20	1
94-9037	Jet-Pilot #40	20	6	1	302-64	Fitting-Grease	9	38	1
94-9038	Lead-Wire	18	5	1	321-2	Screw-HH	9	4	3
94-9039	Clamp	18	1	1	321-3	Screw-HH	5	10	4
94-9040	Tube	18	39	1	321-3	Screw-HH	9	15	2
94-9041	O-Ring	16	23	2	321-3	Screw-HH	12	49	1
94-9042	Nut	22	8	1	321-4	Screw-HH	3	25	1
94-9043	Gear-Helical	16	20	1	321-8	Screw-HH	13	9	1
94-9044	Cap-Grip	18	16	1	321-11	Screw-HH	6	37	8
94-9045	Grip	18	17	1	321-20	Screw-HH	3	1	3
94-9046	Case-Recoil	18	18	1	321-23	Screw-HH	4	63	1
94-9047	Housing-Fan	18	8	1	322-2	Screw-HH	2	45	4
94-9048	Insulator	20	2	1	322-3	Screw-HH	6	4	8
94-9049	Terminal	18	38	1	322-3	Screw-HH	3	5	1
95-0907	Bracket-Skid, Brake	13	16	1	322-3	Screw-HH	9	8	1
95-0908	Bracket-Skid, Clutch	13	8	1	322-5	Screw-HH	6	7	4
95-0922	Guide-Belt	12	55	1	322-5	Screw-HH	1	8	2
95-0923	Flangette	6	55	2	322-5	Screw-HH	7	15	8
95-0930	Asm-Roller	14	3	1	322-5	Screw-HH	9	26	4
95-5715	Lever-Clutch	13	25	1	322-5	Screw-HH	3	38	3
95-5731	Screw-Drive	3	30	1	322-9	Screw-HH	13	7	4
95-5734	Betonite Grease	8	*	1	322-9	Screw-HH	7	20	8
95-5737	Seal Oil	8	14	2	322-9	Screw-HH	11	25	4
95-5738	Bearing Needle	8	13	4	322-9	Screw-HH	2	32	2
95-5739	Screw Flanged Hex Hd.	8	11	4	322-10	Screw-HH	1	11	1
95-5740	Housing Differential Carrier	8	1A	1	323-4	Screw-HH	1	3	10
95-5741	Housing Differential Carrier	8	1	1	323-4	Screw-HH	11	5	2
95-5742	Axle (Short) 9.118"	8	3	1	323-5	Screw-HH	1	24	6
95-5743	Axle (Long) 23.097"	8	2	1	323-5	Screw-HH	9	43	4
95-5744	Washer Thrust	8	7	2	323-6	Screw-HH	1	7	2
95-5745	Washer	8	8	2	323-7	Screw-HH	6	39	2
95-5746	Ring-Retaining (Pkg. of 2)	8	10	4	323-11	Screw-HH	11	34	1
95-5747	Pin Drive	8	6	1	323-34	Screw-HH	13	33	2
95-5748	Gear Pinion	8	5	2	3210-7	Screw-HH	13	21	2
95-5749	Gear Bevel	8	4	2	3218-2	Nut-Hex. Jam	2	36	2
98-5912	Channel-Adjuster	2	50	2	3218-2	Nut-Jam	9	23	3
98-5913	Nut-Spring	1	15	2	3218-20	Nut-Jam	11	15	2
98-7296	Asm-Idler Pulley	12	*	1	3218-20	Nut-Jam (Europe)	13	45	2
98-7297	Pulley-Idler	12	43	1	3220-5	Nut-Jam	3	10	1
233-69	Knob	3	28	1	3231-5	Screw-CARR	2	46	2
237-160	Plug	4	62	1	3242-4	Screw-Set	2	35	2
2410-18	Plug	15	2	1	3253-3	Washer-Lock	9	5	5
2412-93	Clamp-R	11	20	1	3253-3	Washer-Lock	3	24	1
2412-139	Clamp-Hose	9	1	1	3253-4	Washer-Lock	6	5	10
2412-140	Clamp-Hose	9	3	1	3253-4	Washer-Lock	3	9	2
251-204	Bearing-Ball	3	46	1	3253-4	Washer-Lock	9	9	7
251-257	Bearing	7	4	2	3253-4	Washer-Lock	7	16	16
251-336	Bearing-Ball	3	14	2	3253-4	Washer-Lock	13	22	2
251-338	Bearing	6	16	2	3253-4	Washer-Spring Lock	11	37	7
251-338	Bearing	9	40	1	3253-21	Washer-Lock	1	5	16
251-342	Bearing	3	47	1	3253-21	Washer-Lock	13	34	2

\*Not Illustrated

# TORO PART NUMBER INDEX (Cont.)

Part No.	Description	Pg. Ref. No. No. Qty.	Part No.	Description	Pg. Ref. No. No. Qty.
3253-21	Washer-Lock	9 42 4	3296-29	Nut-Lock	11 30 4
3253-21	Washer-Spring Lock	11 6 2	3296-29	Nut-Lock	3 43 2
3254-4	Washer-Lock, Int. Tooth	3 11 1	3296-33	Nut-Lock	7 8 1
3254-6	Washer-Lock, Int. Tooth	1 2 2	3296-39	Nut-Lock	6 1 2
3254-6	Washer-Lock, Int. Tooth	9 44 2	3296-39	Nut-Lock	2 37 2
3254-8	Washer-Lock, Int. Tooth	3 2 4	3296-39	Nut-Lock	3 40 2
3254-8	Washer-Lock, Int. Tooth	6 38 8	3296-39	Nut-Lock	12 46 1
3255-8	Washer-Lock	2 44 4	3296-42	Nut-Lock	5 6 4
3255-9	Washer-External Lock	11 21 2	3296-42	Nut-Lock	13 11 2
3256-2	Washer-Flat	11 2 1	3296-42	Nut-Lock	3 22 1
3256-2	Washer-Flat	1 19 3	3296-42	Nut-Lock	9 24 1
3256-22	Washer-Flat	5 7 6	3296-42	Nut-Lock	11 41 4
3256-22	Washer-Flat	9 14 2	3296-48	Nut-Lock	1 21 2
3256-22	Washer-Flat	12 53 1	3296-56	Nut-Lock	13 3 1
3256-23	Washer-Flat	7 11 4	3296-57	Nut-Lock	6 19 2
3256-23	Washer-Flat	13 23 2	3296-57	Nut-Lock	9 33 1
3256-24	Washer-Flat	1 25 6	32103-2	Nut-Wing	15 3 1
3256-24	Washer-Flat	13 35 2	32120-11	Ring-Retaining	3 19 1
3256-24	Washer-Flat	9 41 4	32120-42	Ring-Retaining	3 8 1
3256-56	Washer-Flat	11 7 10	32120-42	Ring-Retaining	6 9 2
3257-30	Key-Woodruff	7 13 2	32120-42	Ring-Retaining	12 45 1
3257-30	Key-Woodruff	9 32 1	32120-42	Ring-Retaining	9 48 1
3257-32	Key-Woodruff	3 37 1	32122-36	Screw-Truss Hd.	15 2 1
3272-6	Pin-Cotter	9 28 2	32128-25	Nut-HFH	1 18 1
3272-8	Pin-Cotter	9 31 1	32128-48	Nut-Flange	5 14 2
3289-23	Screw-FH	4 55 2	32144-73	Screw-HWHTF	5 9 6
3290-378	Tie-Cable	13 40 2	32144-73	Screw-HWHTF	11 29 1
3290-409	Rivet	7 17 9	32148-6	Insert-Threaded	2 58 9
3290-414	Washer-Belleville	3 23 1	32151-89	Ring-Retaining	3 13 1
3290-467	Pin-Cotter, Hair	2 30 2	32151-92	Ring-Retaining	4 49 1
3290-485	Washer-Wave	3 42 1	32151-95	Ring-Retaining	3 12 2
3296-28	Nut-Lock	13 37 2	33003-00	Nut-Flange	6 36 8
3296-29	Nut-Lock	6 3 4	33113-012	Screw-HH (Europe)	12 52 4
3296-29	Nut-Lock	7 12 4	33114-016	Screw-HH	11 22 7
3296-29	Nut-Lock	1 20 4	33114-025	Screw-HH	11 40 1
3296-29	Nut-Lock	13 26 4			

## PRODUCT CHANGES

In an effort to make improvements available to TORO owners as quickly as possible, minor changes are incorporated into Toro's products from time to time that do not become immediately shown in the Parts Catalog. If such a change has been made in your unit, which is not reflected in your manual, see your TORO Distributor or his Authorized TORO Service Dealer for information and part numbers.

## IDENTIFICATION AND ORDERING

### MODEL AND SERIAL NUMBERS

The Greensmaster 1600 has two identification numbers; a model number and a serial number. The two numbers are stamped on a plate which is located on the rear frame cross channel. In any correspondence concerning the Greensmaster 1600, supply model and serial numbers to assure that correct information and replacement parts are obtained.

To order replacement parts from an Authorized TORO Service Dealer, supply the following information:

1. Model and serial number of the Greensmaster 1600.
2. Part number, description, and the quantity of part(s) desired.

**NOTE:** Do not order by reference number if a parts catalog is being used; use the PART NUMBER.

## TABLE OF CONTENTS

Description	Page	Description	Page
Frame Assembly .....	1-2	Full Roller Assembly .....	14
Reel Drive Assembly .....	3-4	Special Tools .....	15
Reel Assembly .....	5	Engine Crankcase Assembly .....	16
Drum Drive Assembly .....	6	Engine Camshaft & Valves Assembly .....	17
Drum & Basket Assembly .....	7	Engine Ignition Assembly .....	18
Differential Assembly		Engine Governor Assembly .....	19
Peerless Model No. 100-116 .....	8	Engine Carburetor Assembly .....	20
Countershaft Assembly .....	9-10	Engine Air Filter & Muffler Assembly .....	21
Engine & Bellcrank Assembly .....	11-12	Engine Fuel Tank Assembly .....	22
Handle Assembly .....	13	TORO Part Number Index .....	23-27

Japanese parts kit number 94-5895 contains all of the individual parts on the preceding pages designated as (Japan).