



Count on it.

Parts Catalog

**55cm Recycler® SmartStow®
Lawn Mower**

Model No. 20959—Serial No. 402100000 and Up



Ordering Replacement Parts

To order replacement parts, please supply the part number, the quantity, and the description of each part desired.

Understanding Reference Numbers

Each identified part in an illustration has a reference number. The reference number for a part also appears in the parts list, along with other information about the part.

This catalog uses two special reference number formats, one to indicate parts in a service assembly and another to indicate the quantity of a given part in an illustration.

Service Assembly Reference Numbers

Parts in service assemblies have reference numbers in the form a:b. The a represents the reference number of the entire service assembly and the b represents a sequential number unique to each part within the service assembly.

For example, a wheel assembly might be identified by reference number 6, the tire by 6:1, the valve by 6:2, and the wheel by 6:3. When you order the assembly identified by reference number 6, you receive all parts identified by reference numbers 6:1, 6:2, and 6:3. However, you may also order any part individually. Reference numbers of this type appear in illustration and in parts lists.

Reference Numbers Indicating Quantity

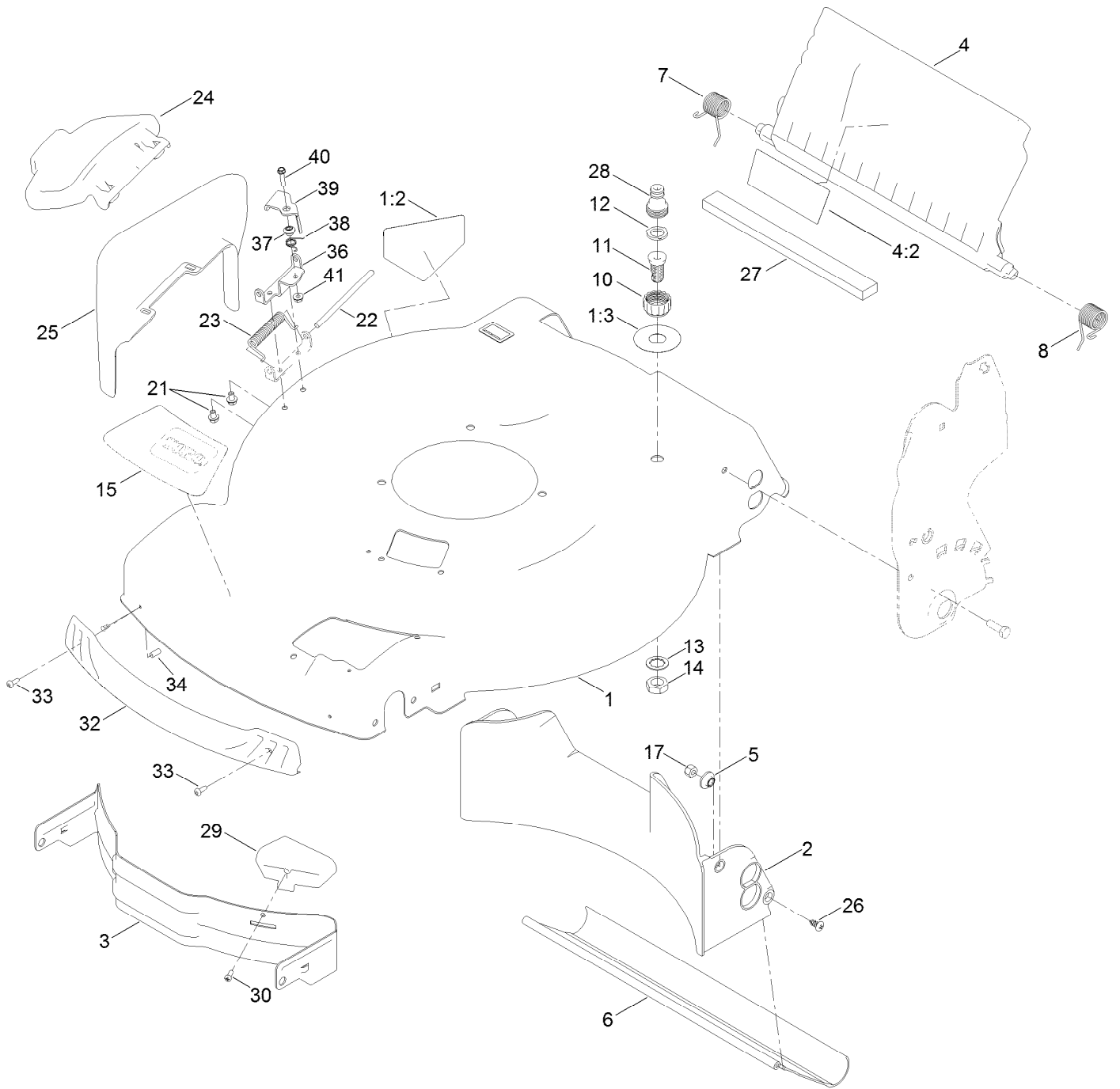
In an illustration, if a reference number indicates more than one part, the reference number has the form nX y. The n represents the quantity of the part, the X is the multiplication symbol, and the y represents the reference number.

For example, in an illustration, the reference number 2X 37 means that two of the parts identified by reference number 37 are indicated.

Contents

Housing Assembly	4
Rear Bag Assembly	6
Engine and Blade Assembly	8
Front Wheel and Height-of-Cut Assembly	10
Rear Wheel and Height-of-Cut Assembly	12
Handle Assembly	14
Attachments and Accessories	16

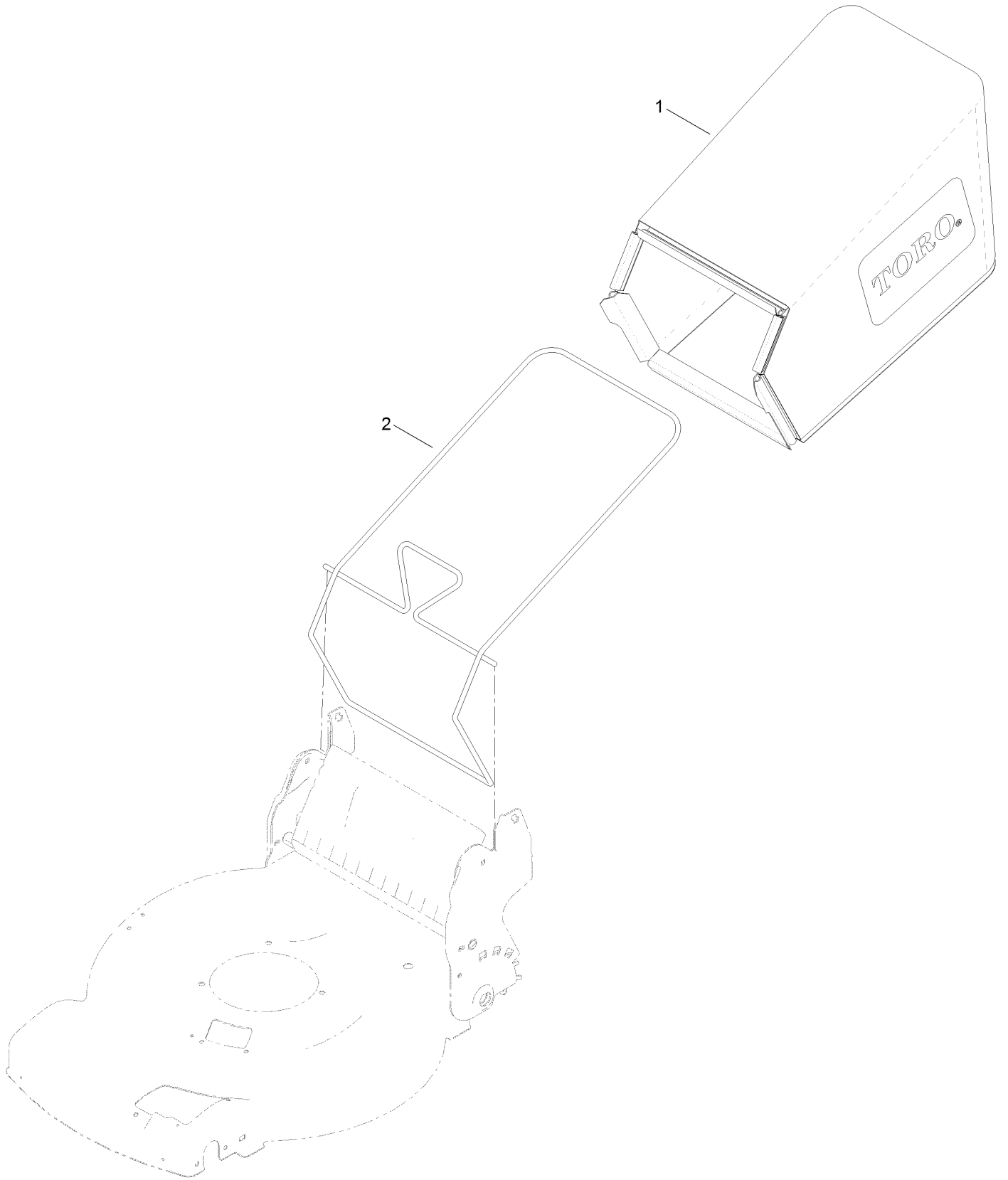
Housing Assembly



Housing Assembly (continued)

<i>Ref.</i>	<i>Part Number</i>	<i>Qty.</i>	<i>Description</i>	<i>Ref.</i>	<i>Part Number</i>	<i>Qty.</i>	<i>Description</i>
1	136-7053	1	Housing ASM	21	99-8445	2	Screw-HWH
1:2	112-8760	1	Decal-Danger	22	99-5291	1	Rod-Cover
1:3	137-9196	1	Decal-Quick Wash	23	99-5293	1	Spring-Torsion
2	120-5218	1	Baffle-Rear	24	115-8449	1	Deflector-Side
3	115-4667-01	1	Baffle-Front	25	115-8447	1	Chute-Discharge, Side
4	136-7003	1	Rear Deflector ASM	26	117-1092	2	Screw-PTH
4:2	131-4514	1	Decal-Warning	27	117-5924	1	Foam-Seal
5	117-5991	2	Washer-Stepped, Baffle	28	112-6437	1	Adapter-Connect, Quick
6	115-8420	1	Shield-Trailing	29	115-4672	1	Kicker-Front
7	114-7924	1	Spring-Torsion	30	32144-111	1	Screw-PPH
8	115-2859	1	Spring-Torsion	32	114-7987	1	Bumper
10	112-6401	1	Coupling-Hose, Washout Port	33	105-6849	2	Screw-Forming, Thread
11	112-6400	1	Port-Washout	34	130-6660	2	Cap-Plug
12	112-6438	1	Washer-Seal, Washout Port	36	138-3209	1	Bracket-Lockout
13	3254-5	1	Washer-Tooth, Internal	37	107-7463	1	Spacer
14	3218-6	1	Nut-Jam	38	107-7462	1	Spring-Torsion
15	131-9679	1	Decal-Deck	39	137-9197	1	Lever-Lockout
17	3296-29	2	Nut-Lock, NI	40	106-9169	1	Screw-HWH
				41	32128-17	1	Nut-Lock, Flange

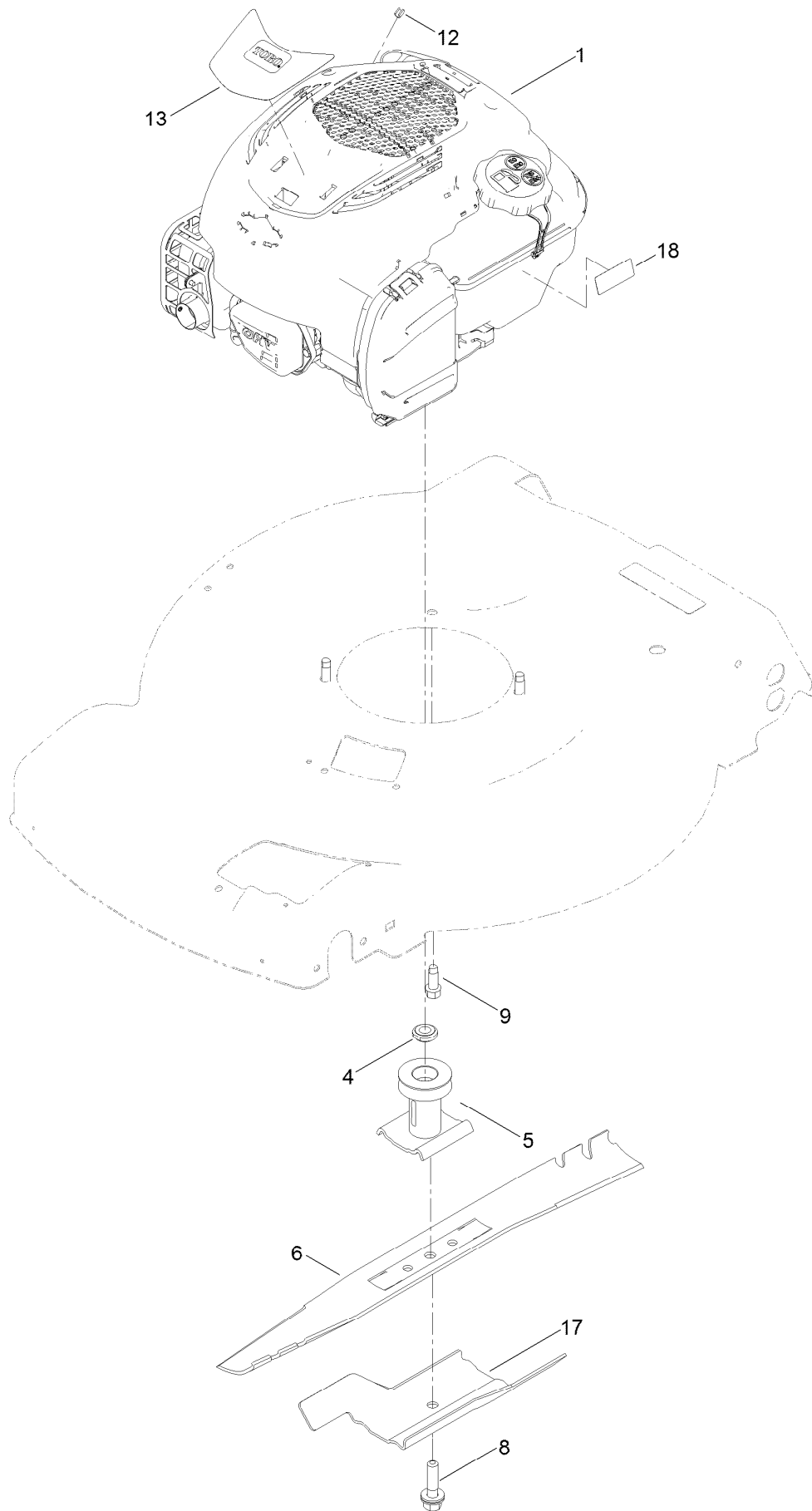
Rear Bag Assembly



Rear Bag Assembly (continued)

<i>Ref.</i>	<i>Part Number</i>	<i>Qty.</i>	<i>Description</i>
1	115-4664	1	Grass Bag ASM
2	132-4483-03	1	Frame-Bag

Engine and Blade Assembly



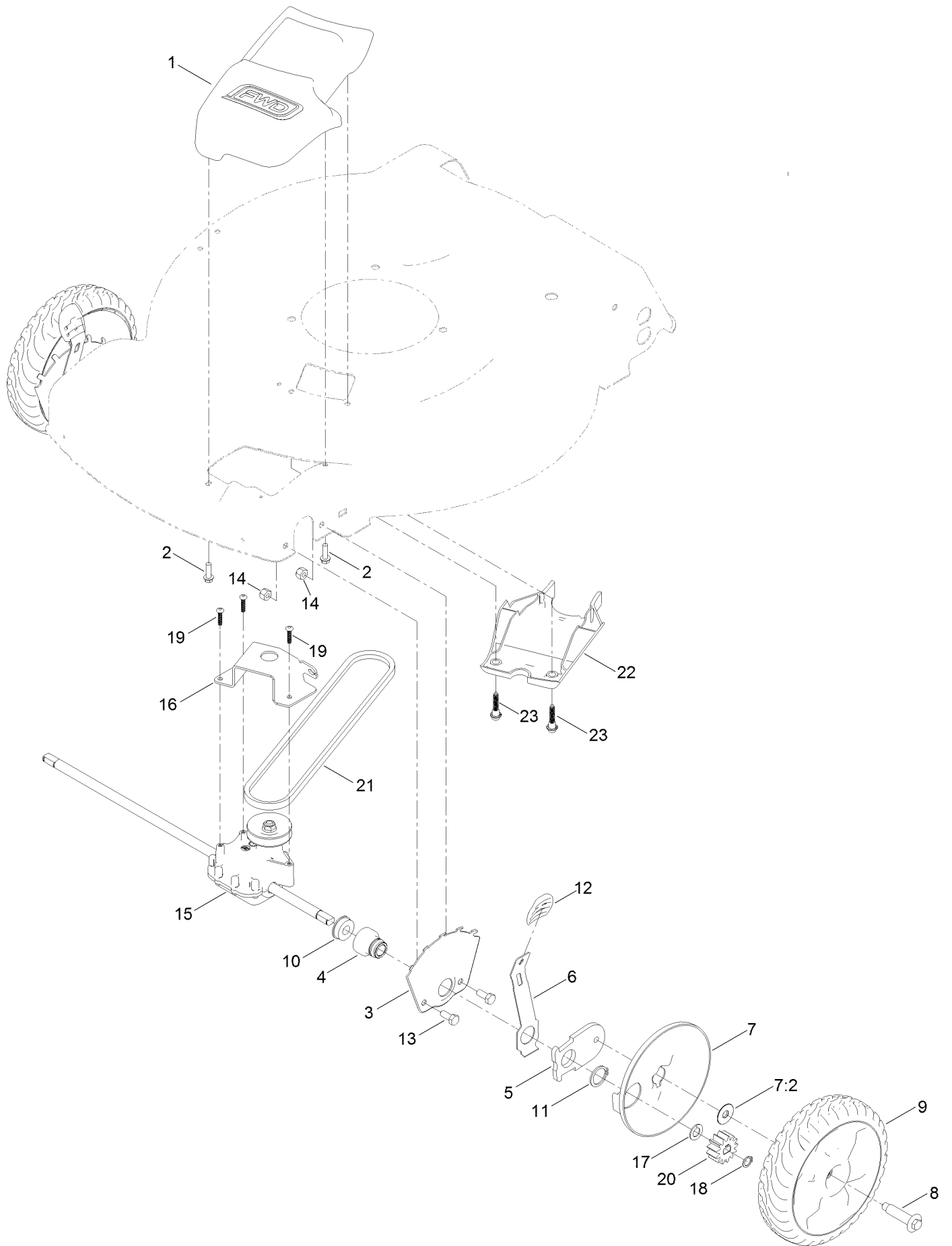
Engine and Blade Assembly (continued)

<i>Ref.</i>	<i>Part Number</i>	<i>Qty.</i>	<i>Description</i>	<i>Ref.</i>	<i>Part Number</i>	<i>Qty.</i>	<i>Description</i>
1		1	Engine-Briggs,104M020130F1 ●■	9	95-1726	3	Screw-Taptite
4	106-3999	1	Spacer-Driver	12	2210-316	1	Stop-Rope
5	106-3987	1	Driver-Blade	13	133-8176	1	Decal-Shroud
6	131-9683-03	1	Blade	17	105-6848-03	1	Accelerator-Blade
8	125-2466	1	Bolt-Blade	18	133-8198	1	Decal-Level, Fuel

● Not serviced separately

■ Obtain parts from www.briggsandstratton.com

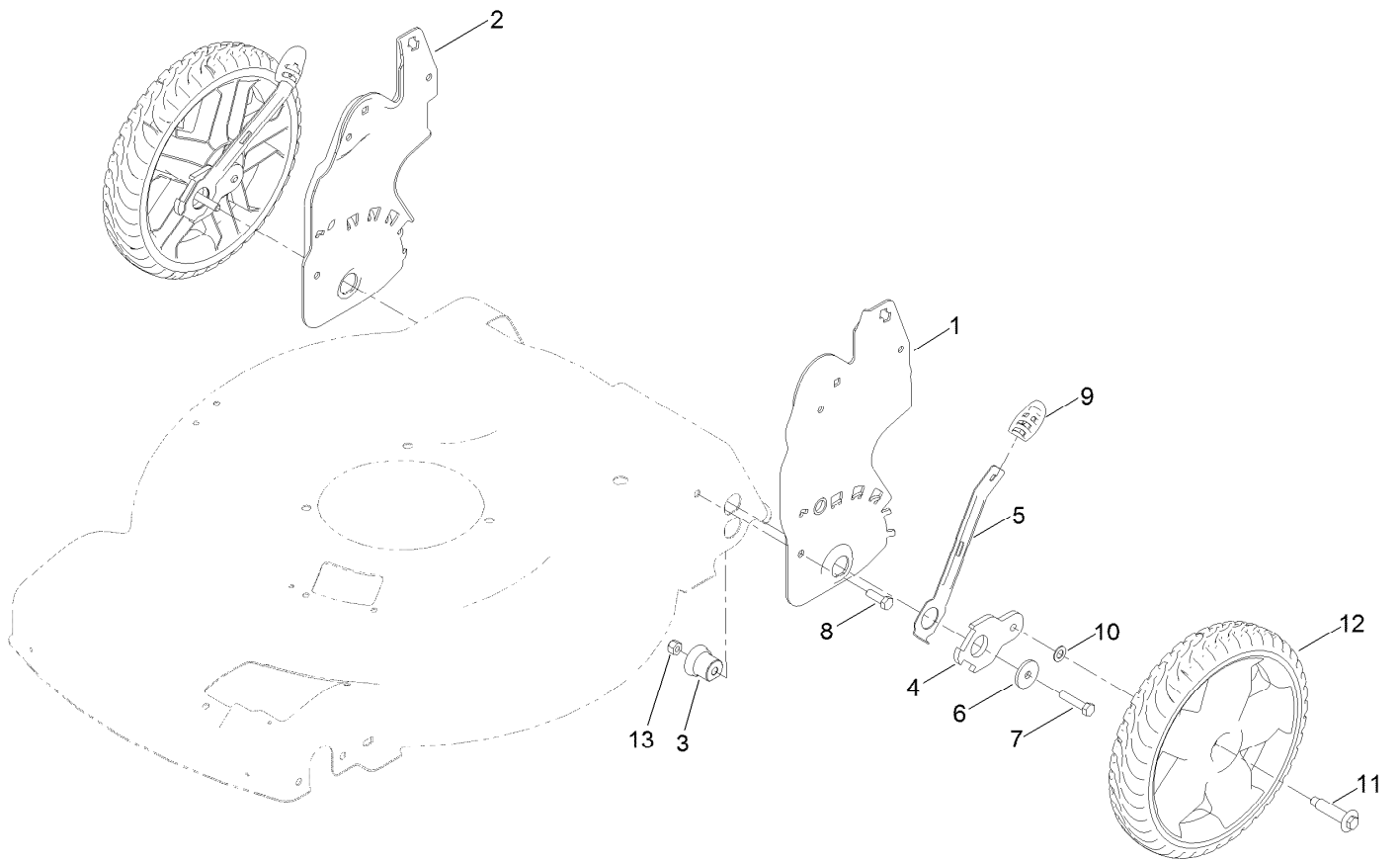
Front Wheel and Height-of-Cut Assembly



Front Wheel and Height-of-Cut Assembly (continued)

<i>Ref.</i>	<i>Part Number</i>	<i>Qty.</i>	<i>Description</i>	<i>Ref.</i>	<i>Part Number</i>	<i>Qty.</i>	<i>Description</i>
1	136-5907	1	Cover-Belt	12	105-3042	2	Knob-Lever, HOC
2	46-8091	2	Screw-HWH	13	322-3	4	Screw-HH
3	115-1956-03	2	Plate-HOC, Front	14	3296-29	4	Nut-Lock, NI
4	131-0836	2	Retainer-Bearing, HOC	15	137-4822	1	Transmission
5	137-9128	2	Arm-Pivot, Front	16	114-7978-03	1	Bracket-Transmission
6	105-1809	2	Arm-Spring	17	110-7191	2	Washer-Thrust
7	127-6840	2	Wheel Cover ASM	18	32151-61	2	Ring-Retaining
7:2	614426	1	Washer-Stepped	19	108-7476	3	Screw-Plastite
8	614650	2	Bolt-Shoulder	20	131-0896	2	Gear-Pinion, 13T
9	137-4832	2	8 In Wheel ASM	21	117-1018	1	V-Belt
10	104-8699	2	Bearing-Ball	22	136-5851	1	Cover-Belt, Front (Lower)
11	32151-36	2	Ring-Retaining	23	131-0837	2	Screw-Shoulder, HHF

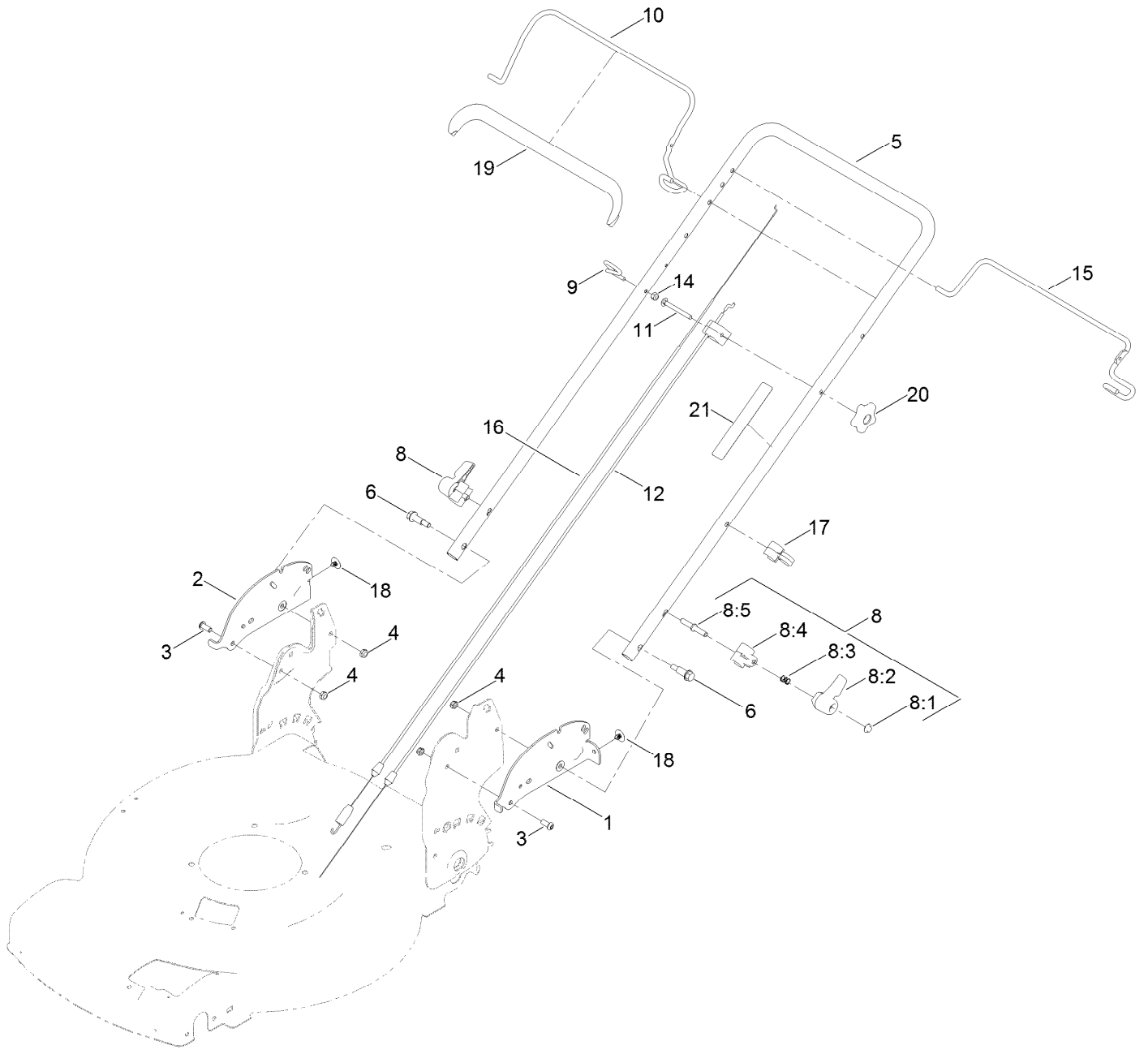
Rear Wheel and Height-of-Cut Assembly



Rear Wheel and Height-of-Cut Assembly (continued)

<i>Ref.</i>	<i>Part Number</i>	<i>Qty.</i>	<i>Description</i>	<i>Ref.</i>	<i>Part Number</i>	<i>Qty.</i>	<i>Description</i>
1	132-4490-03	1	Plate-HOC, LH	8	322-5	2	Screw-HH
2	132-4491-03	1	Plate-HOC, RH	9	105-3042	2	Knob-Lever, HOC
3	131-0895	2	Bushing-Mount, HOC	10	40-1940	2	Washer
4	137-9129	2	Arm-Pivot,Rear	11	614650	2	Bolt-Shoulder
5	115-2899	2	Arm-Spring, Rear	12	137-4837	2	11In Wheel ASM
6	105-3048	2	Washer-Flat	13	3296-29	2	Nut-Lock, NI
7	322-7	2	Screw-HH				

Handle Assembly



Handle Assembly (continued)

<i>Ref.</i>	<i>Part Number</i>	<i>Qty.</i>	<i>Description</i>	<i>Ref.</i>	<i>Part Number</i>	<i>Qty.</i>	<i>Description</i>
1	132-4492-03	1	Plate-Handle, LH	9	86-9671	1	Guide-Rope
2	132-4493-03	1	Plate-Handle, RH	10	138-3269-03	1	Bail-Brake
3	3274-55	2	Screw-HSBH	11	136-7082	1	Screw-CARR
4	3296-47	4	Nut-Lock, NI	12	133-8109	1	Cable-Brake, HP
5	131-4569-05	1	Handle	14	3296-73	1	Nut-Lock, NI
6	130-2344	2	Bolt-Shoulder	15	131-0835-03	1	Bail-Traction
8	115-2860	2	Quick Release ASM	16	119-2379	1	Cable-Traction
8:1	109-0917	1	Nut-Push	17	114-7988	1	Guide-Cable
8:2	114-7995	1	Lever	18	130-6721	2	Clip-Tree
8:3	114-7996	1	Anchor-Spring	19	127-6847	1	Cover-Bail
8:4	115-2858	1	Spring-Compression	20	131-0897	1	Knob-Handle, Locking
8:5	114-2675	1	Rod-Release	21	132-4470	1	Decal-Traction, Adjust

Attachments and Accessories

For 20959 55cm Recycler SmartStow Lawn Mower

Product Name	Model/Part
Fuel Stabilizer .05 oz	130-2393
4-Cycle Fuel, Snow And Lawn 32oz Can	131-3823
Toro Premium Fuel Treatment 12 Oz Bottle	131-6572
Replacement Bag	59305
Replacement Bag and Frame Kit	59307
Belt Cover Kit	136-9125
All Season Synthetic Oil	117-0066
Bag-Walk Behind (Toro)	490-7318
Toro 4-cycle Sae 30 Oil (32oz Bottle)	38903
Summer Oil-Case of 24 (20oz Bottles)	38916

Notes:

Notes:

Notes:



Count on it.