



Count on it.

Parts Catalog

**Power Clear® 518 ZE
Snowthrower**

Model No. 38473—Serial No. 40000000 and Up



Ordering Replacement Parts

To order replacement parts, please supply the part number, the quantity, and the description of each part desired.

Understanding Reference Numbers

Each identified part in an illustration has a reference number. The reference number for a part also appears in the parts list, along with other information about the part.

This catalog uses two special reference number formats, one to indicate parts in a service assembly and another to indicate the quantity of a given part in an illustration.

Service Assembly Reference Numbers

Parts in service assemblies have reference numbers in the form a:b. The a represents the reference number of the entire service assembly and the b represents a sequential number unique to each part within the service assembly.

For example, a wheel assembly might be identified by reference number 6, the tire by 6:1, the valve by 6:2, and the wheel by 6:3. When you order the assembly identified by reference number 6, you receive all parts identified by reference numbers 6:1, 6:2, and 6:3. However, you may also order any part individually. Reference numbers of this type appear in illustration and in parts lists.

Reference Numbers Indicating Quantity

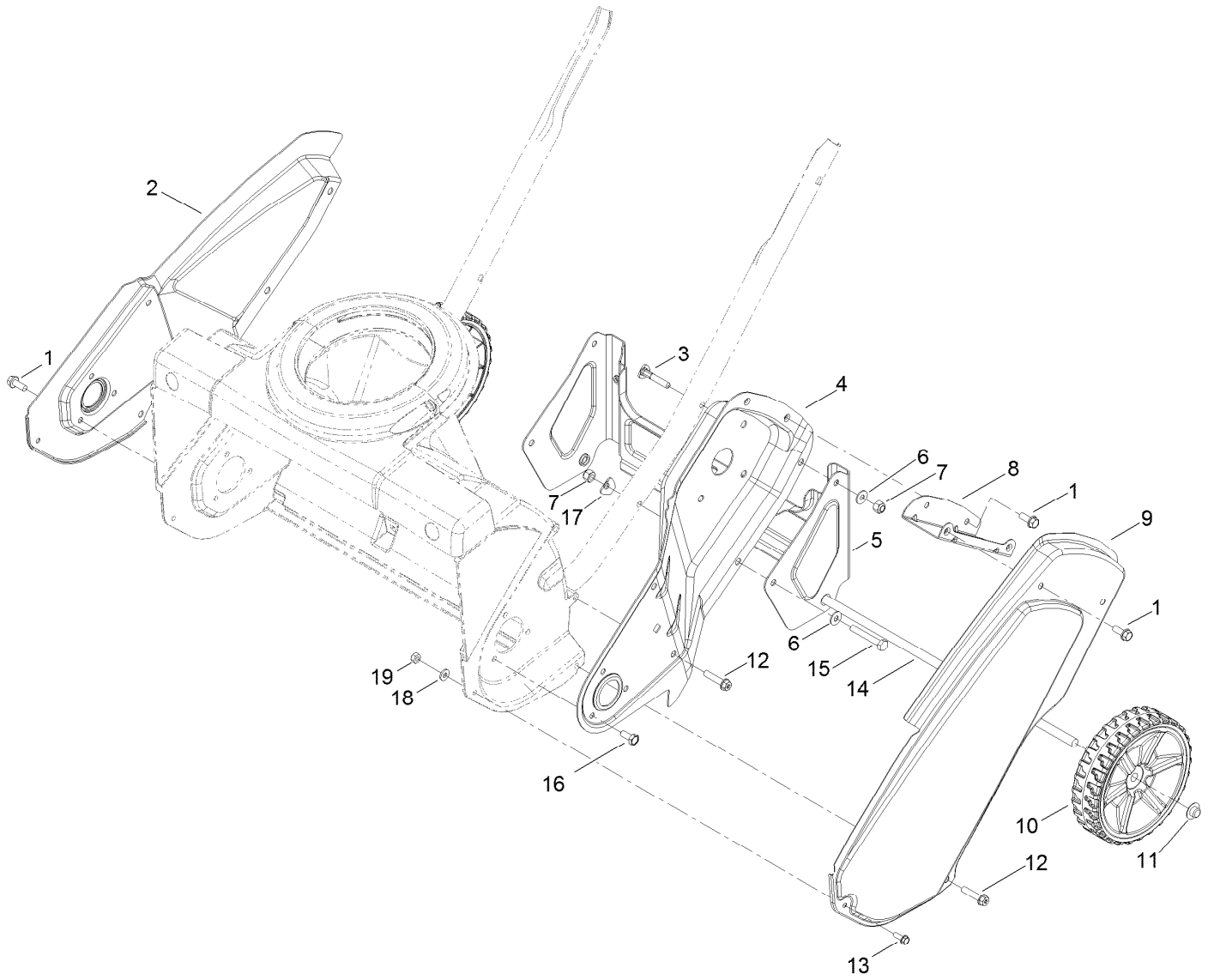
In an illustration, if a reference number indicates more than one part, the reference number has the form nX y. The n represents the quantity of the part, the X is the multiplication symbol, and the y represents the reference number.

For example, in an illustration, the reference number 2X 37 means that two of the parts identified by reference number 37 are indicated.

Contents

Main Frame and Wheel Assembly	4
Auger Housing Assembly	6
Rotor Drive Assembly	8
Belt and Drive Assembly	10
Engine Assembly	12
Engine Assembly No. 1	14
Engine Assembly No. 2	16
Engine Assembly No. 3	18
Shroud Assembly	20
Handle Assembly	22
Deflector Chute Control Assembly	24
Attachments and Accessories	26

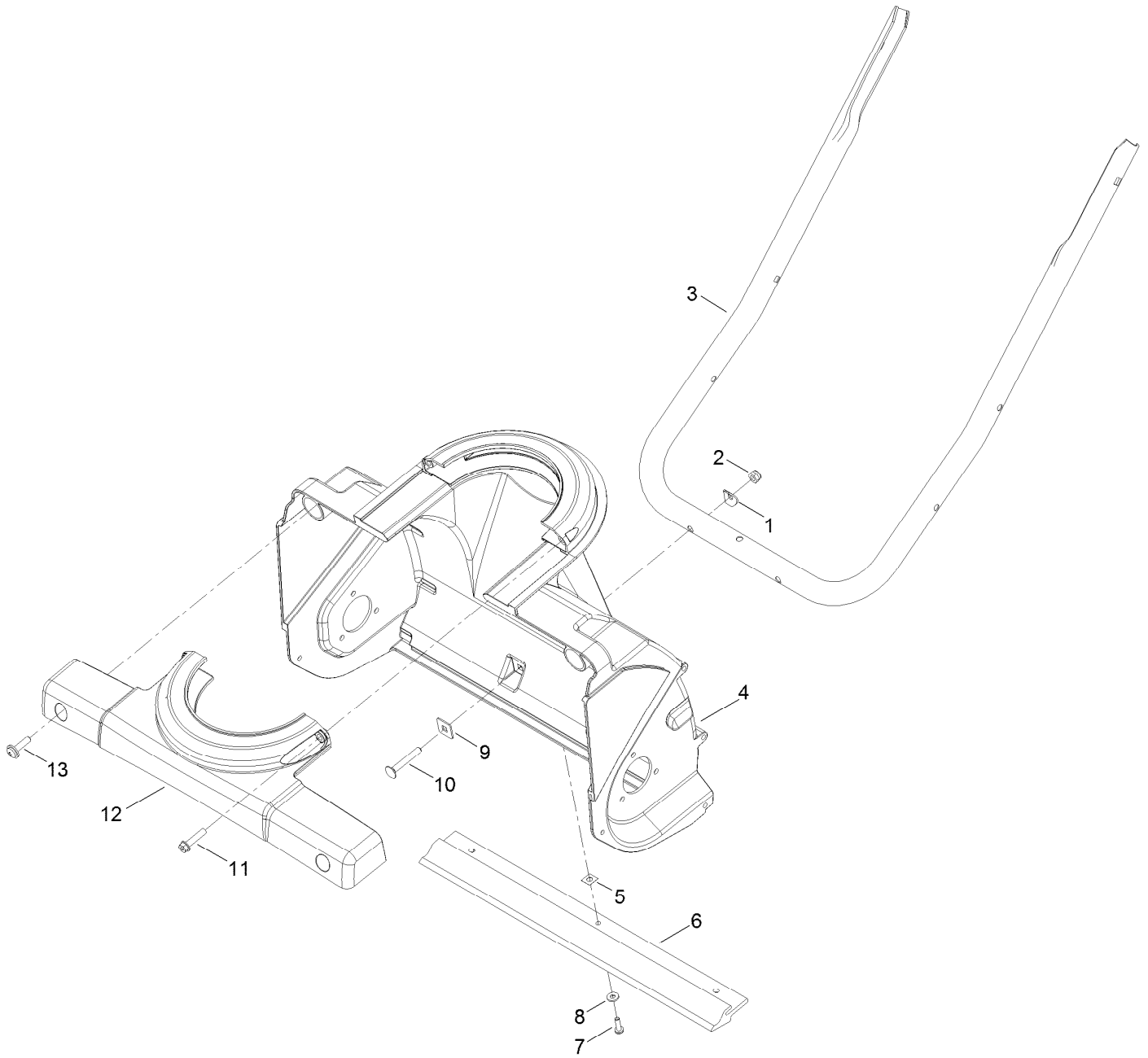
Main Frame and Wheel Assembly



Main Frame and Wheel Assembly (continued)

<i>Ref.</i>	<i>Part Number</i>	<i>Qty.</i>	<i>Description</i>	<i>Ref.</i>	<i>Part Number</i>	<i>Qty.</i>	<i>Description</i>
1	32144-85	7	Screw-HWH	11	3290-320	2	Nut-Push
2	117-7704-03	1	Sideplate-RH	12	46-8094	6	Screw-Plastic
3	117-7737	2	Screw-Handle	13	32105-23	2	Screw
4	117-2349-03	1	Sideplate-LH	14	117-2339	1	Axle
5	117-7702-03	1	Bracket-Wheel	15	321-53	2	Screw-HH
6	3256-1	4	Washer-Flat	16	114-9291	3	Screw-HH, Taptite
7	3296-73	4	Nut-Lock, NI	17	3-7501	2	Washer
8	117-2334-03	1	Bracket-Cover, Belt	18	3256-14	2	Washer-Flat
9	117-7703-03	1	Cover-Belt	19	3296-2	2	Nut-Lock, NI
10	117-2306	2	Wheel ASM				

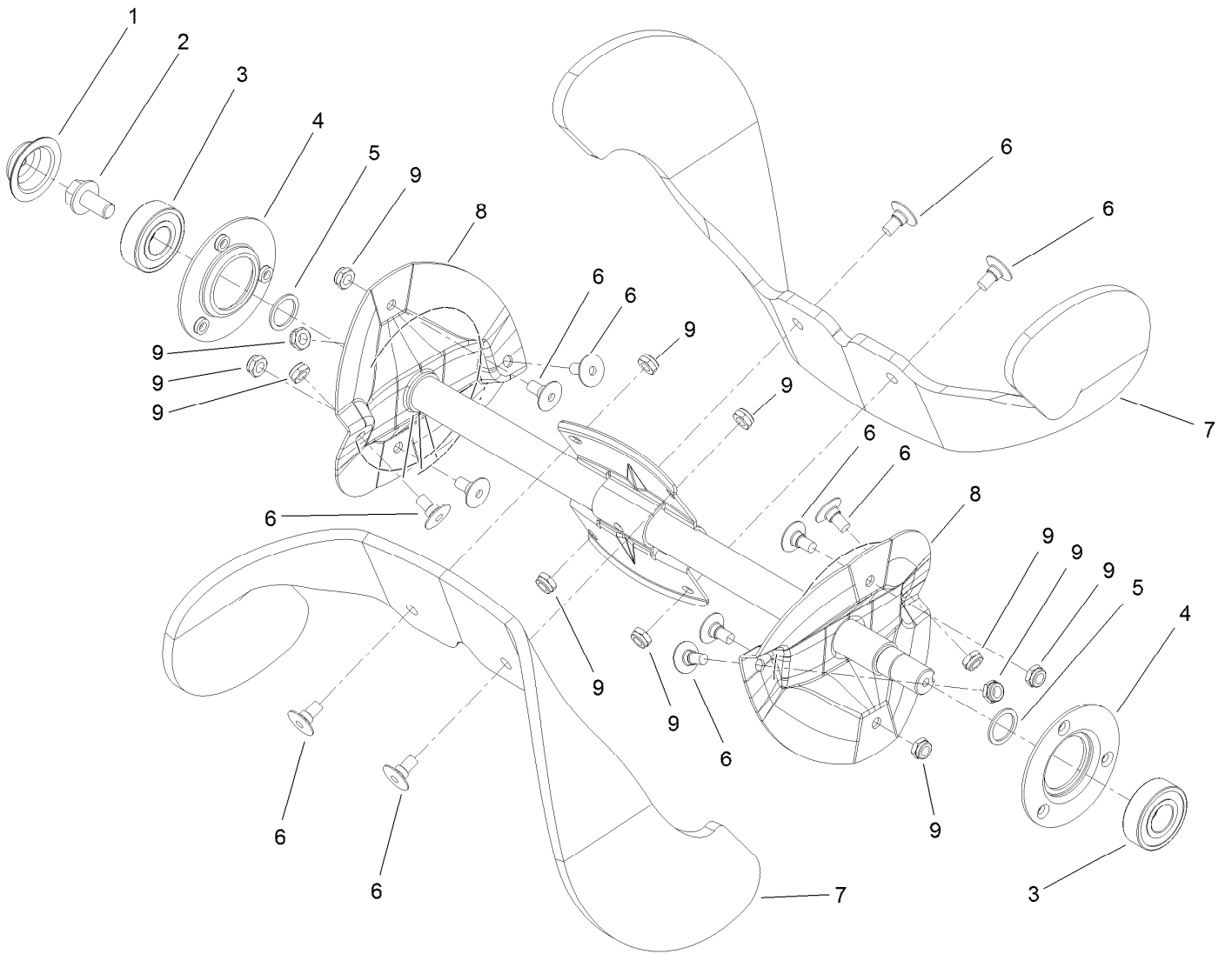
Auger Housing Assembly



Auger Housing Assembly (continued)

<i>Ref.</i>	<i>Part Number</i>	<i>Qty.</i>	<i>Description</i>	<i>Ref.</i>	<i>Part Number</i>	<i>Qty.</i>	<i>Description</i>
1	3-7501	2	Washer	8	3256-14	3	Washer-Flat
2	3296-73	2	Nut-Lock, NI	9	75-9040	2	Washer-Square
3	117-2348-03	1	Handle-Lower	10	3229-5	2	Screw-CARR
4	117-2331	1	Housing-Lower	11	46-8094	2	Screw-Plastic
5	32115-19	3	Nut-Clip, U	12	117-2332	1	Retainer-Chute
6	117-7717	1	Scraper	13	110-9361	2	Screw-PPH
7	32144-34	3	Screw-HWHTF				

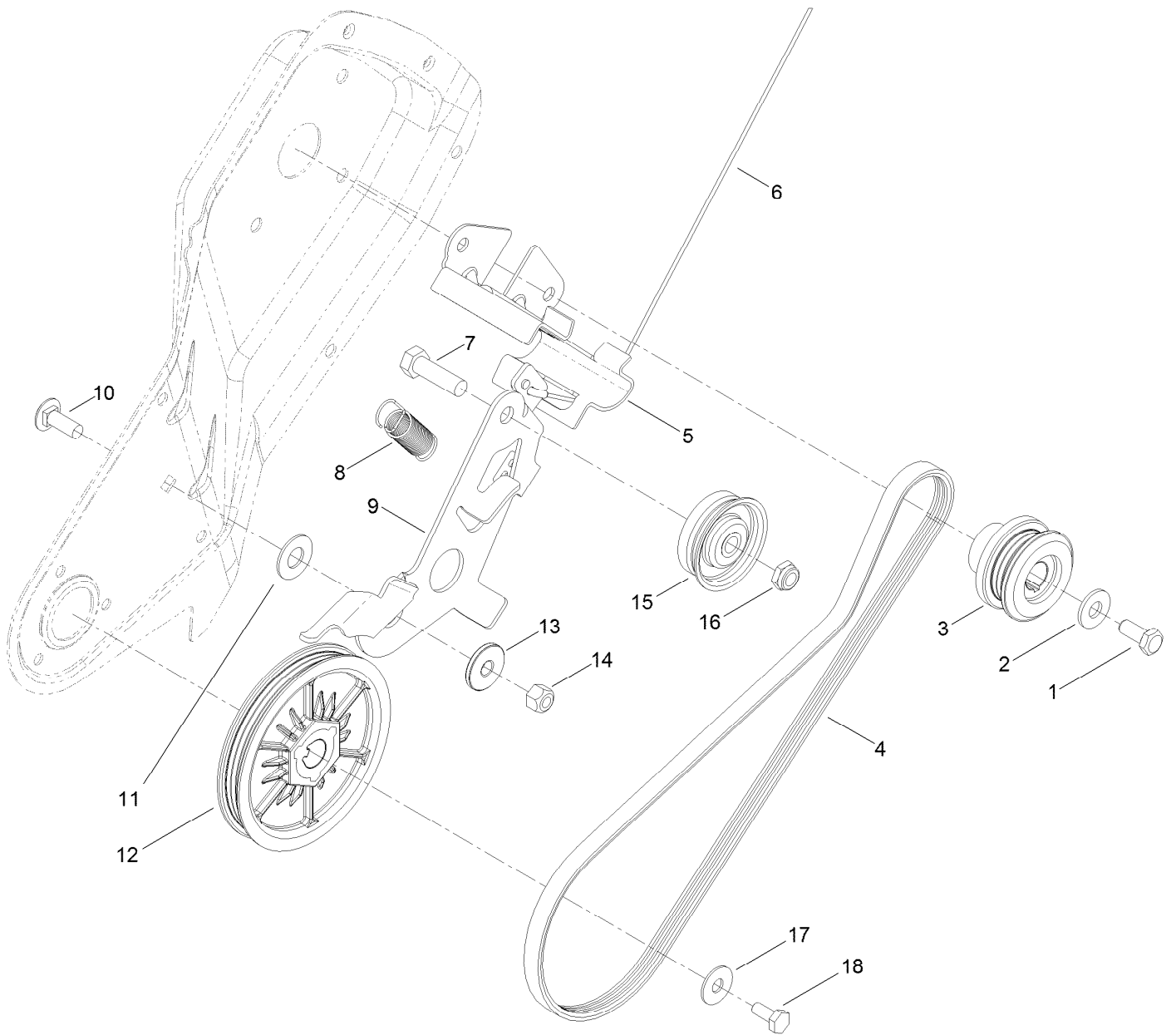
Rotor Drive Assembly



Rotor Drive Assembly (continued)

<i>Ref.</i>	<i>Part Number</i>	<i>Qty.</i>	<i>Description</i>	<i>Ref.</i>	<i>Part Number</i>	<i>Qty.</i>	<i>Description</i>
1	117-7720	1	Cap-Sideplate, RH	6	84-1970	12	Screw
2	110-9380	1	Screw-HWH	7	117-7700	2	Blade-Rotor
3	38-7820	2	Bearing-Ball	8	117-2315-03	1	Rotor ASM
4	112-8105	2	Flange-Bearing	9	3296-56	12	Nut-Lock, NI
5	52-7280	2	Washer-Thrust				

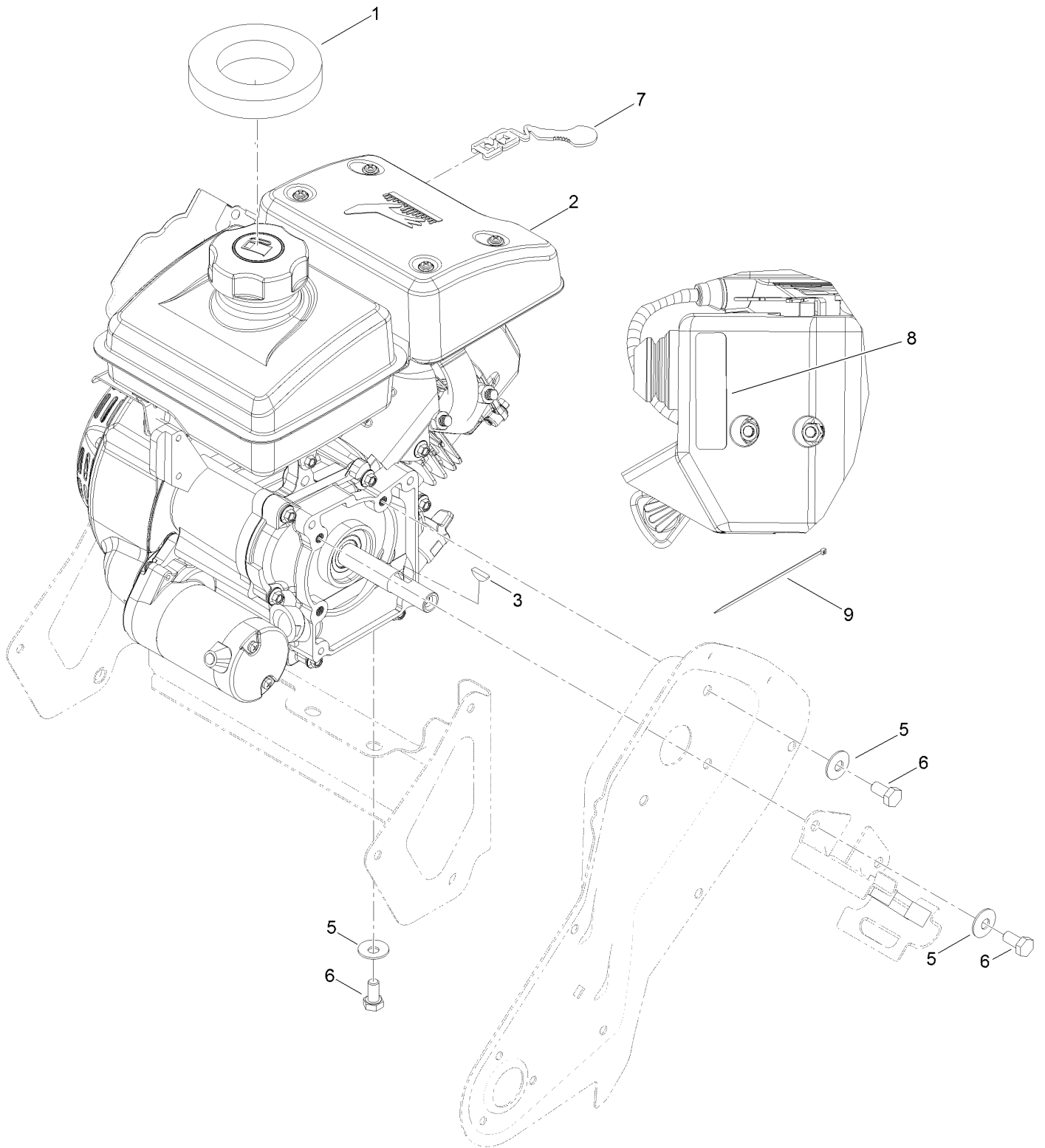
Belt and Drive Assembly



Belt and Drive Assembly (continued)

<i>Ref.</i>	<i>Part Number</i>	<i>Qty.</i>	<i>Description</i>	<i>Ref.</i>	<i>Part Number</i>	<i>Qty.</i>	<i>Description</i>
1	3235-6	1	Screw-HH	10	3230-10	1	Bolt-CARR
2	3256-71	1	Washer-Flat	11	25-5640	1	Washer
3	117-7734	1	Pulley-Engine	12	117-7732	1	Rotor Pulley ASM
4	117-7733	1	Belt-V, Ribbed	13	117-7711	1	Bushing-Idler
5	119-2907	1	Guide-Belt	14	3296-29	1	Nut-Lock, NI
6	117-7721	1	Cable-Clutch	15	117-9105	1	Pulley-Idler
7	323-44	1	Screw-HH	16	3296-59	1	Nut-Lock, NI
8	117-7715	1	Spring-Brake	17	3290-456	1	Washer-Belleville
9	117-7735	1	Arm-Idler	18	110-9381	1	Screw-HH

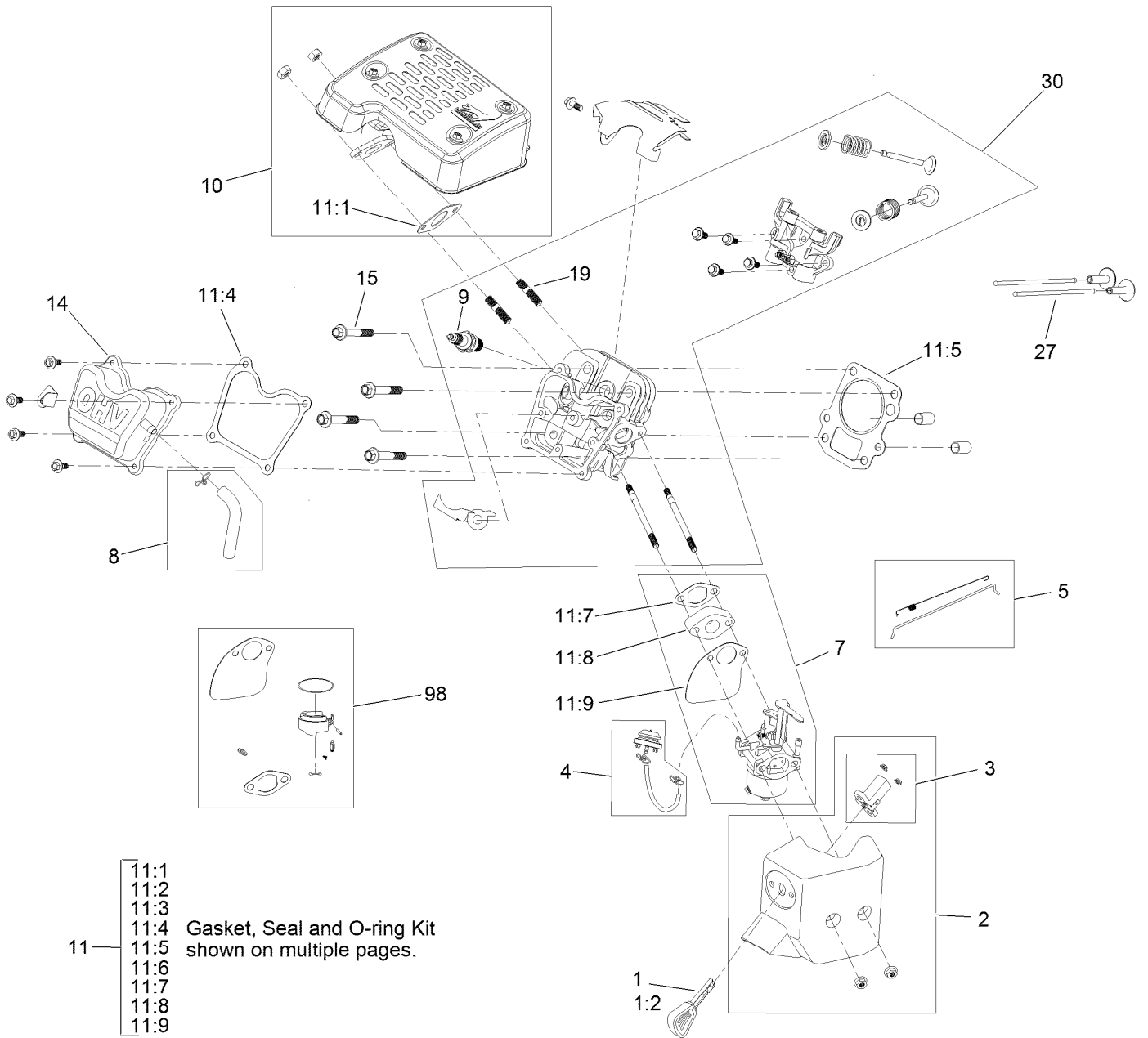
Engine Assembly



Engine Assembly (continued)

<i>Ref.</i>	<i>Part Number</i>	<i>Qty.</i>	<i>Description</i>	<i>Ref.</i>	<i>Part Number</i>	<i>Qty.</i>	<i>Description</i>
1	117-7723	1	Seal-Tank	6	33114-016	6	Screw-HH
2	121-4231	1	Engine-156Fds	7	117-7727	1	Lever-Choke
3	3257-3	1	Key-Woodruff	8	120-0149	1	Decal-Controls, Engine
5	3290-456	6	Washer-Belleville	9	614249	1	Tie-Cable

Engine Assembly No. 1

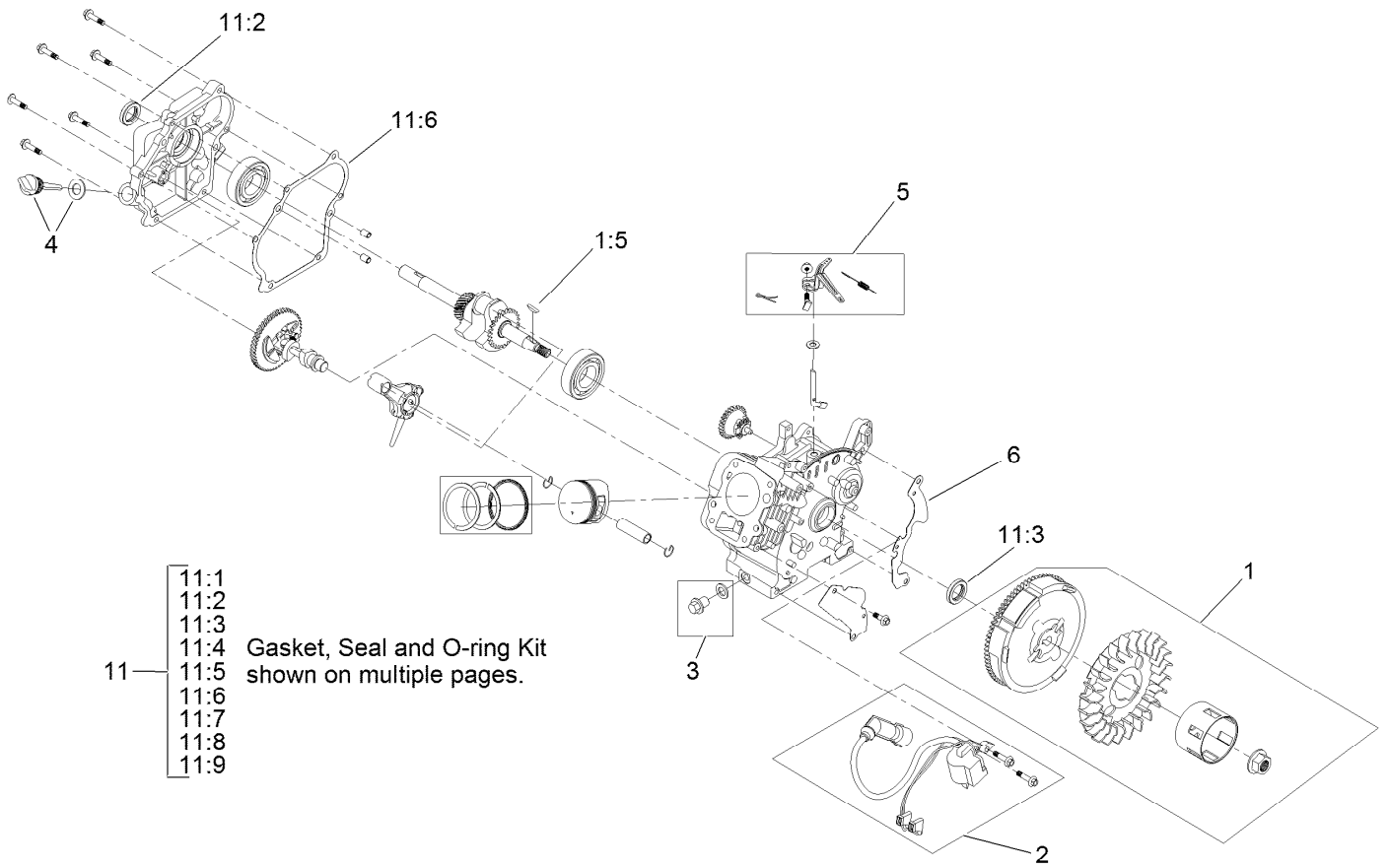


Engine Assembly No. 1 (continued)

<i>Ref.</i>	<i>Part Number</i>	<i>Qty.</i>	<i>Description</i>	<i>Ref.</i>	<i>Part Number</i>	<i>Qty.</i>	<i>Description</i>
1	119-1929	1	Key And Lanyard Kit	11:4	121-0110	1	Gasket-Cover, Valve
1:2	117-7728	2	Key	11:5	127-9039	1	Gasket-Head, Cylinder
2	119-1982	1	Heater Box Kit	11:6	121-0106	1	Gasket-Cover, Crankcase
3	119-1932	1	Switch Kit	11:7	120-4486	1	Gasket-Insulator
4	119-1981	1	Primer Bulb Kit	11:8	121-0093	1	Insulator-Carburetor
5	121-0489	1	Governor Kit	11:9	127-9052	1	Gasket-Carburetor
7	127-9352	1	Complete Carb Service Kit	14	121-0466	1	Valve Cover ASM
8	119-1921	1	Breather Tube Kit	15	121-0473	4	Screw-HHF
9	119-1961	1	Spark Plug	19	121-0464	2	Stud-Exhaust
10	133-9822	1	Muffler Kit	27	127-9055	2	Rod-Push
11	127-9073	1	Gasket, Seal And O-Ring Kit	30	133-9825	1	Complete Head ASM
11:1	121-0168	1	Gasket-Exhaust	98	127-9158	1	Carburetor Repair Kit
11:2	121-0207	1	Seal-Oil	99	127-9300	1	High Altitude Kit ●
11:3	121-0210	1	Seal-Oil				

● Not illustrated

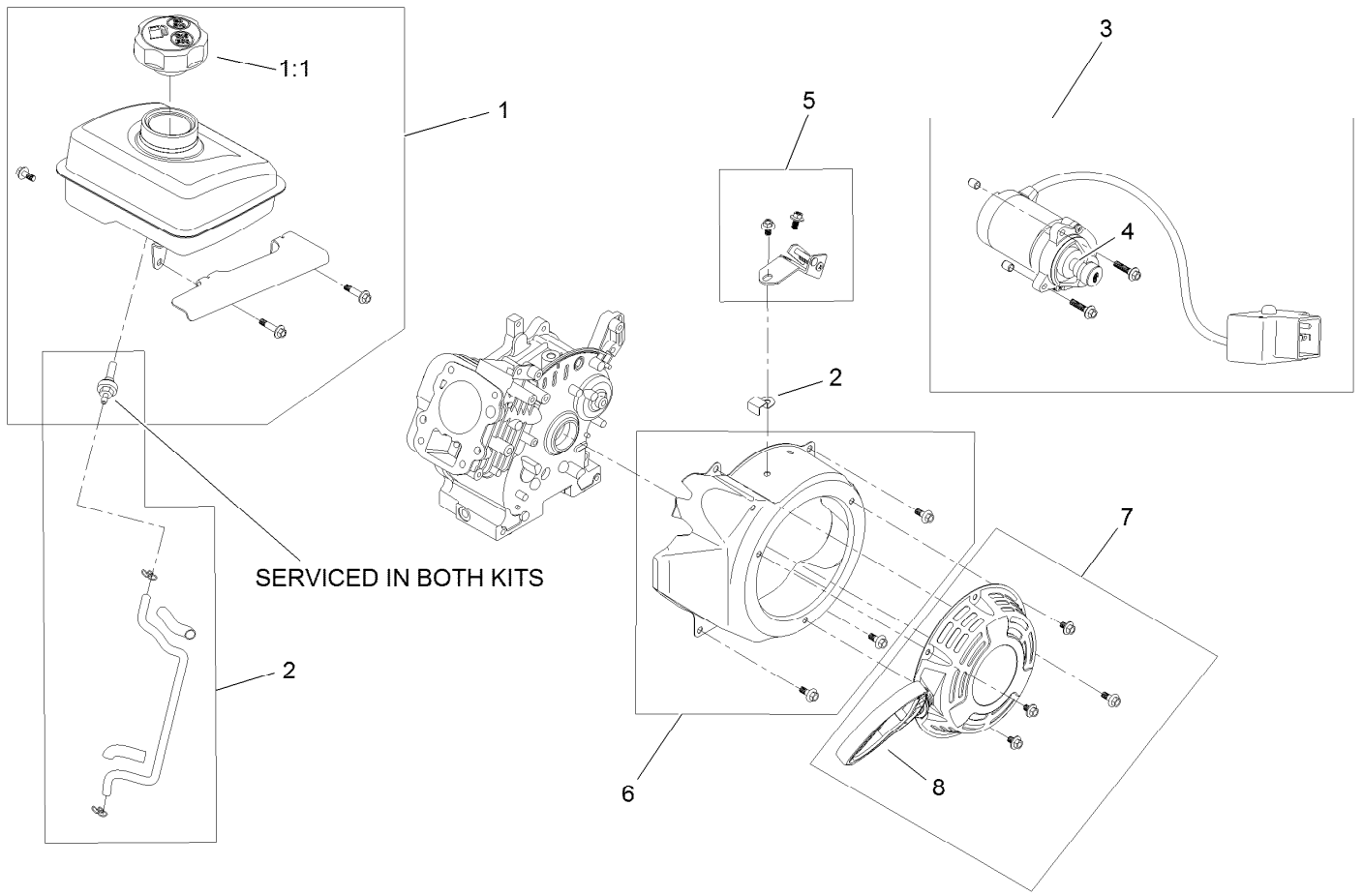
Engine Assembly No. 2



Engine Assembly No. 2 (continued)

<i>Ref.</i>	<i>Part Number</i>	<i>Qty.</i>	<i>Description</i>	<i>Ref.</i>	<i>Part Number</i>	<i>Qty.</i>	<i>Description</i>
1	119-1933	1	Flywheel Kit	11:2	121-0207	1	Seal-Oil
1:5	121-0206	1	Key-Woodruff	11:3	121-0210	1	Seal-Oil
2	119-1960	1	Ignition Kit	11:4	121-0110	1	Gasket-Cover, Valve
3	119-1923	1	Drain Plug Kit	11:5	127-9039	1	Gasket-Head, Cylinder
4	119-1922	1	Dipstick And O-Ring Kit	11:6	121-0106	1	Gasket-Cover, Crankcase
5	121-0489	1	Governor Kit	11:7	120-4486	1	Gasket-Insulator
6	119-1926	1	Blower Shroud Kit	11:8	121-0093	1	Insulator-Carburetor
11	127-9073	1	Gasket, Seal And O-Ring Kit	11:9	127-9052	1	Gasket-Carburetor
11:1	121-0168	1	Gasket-Exhaust				

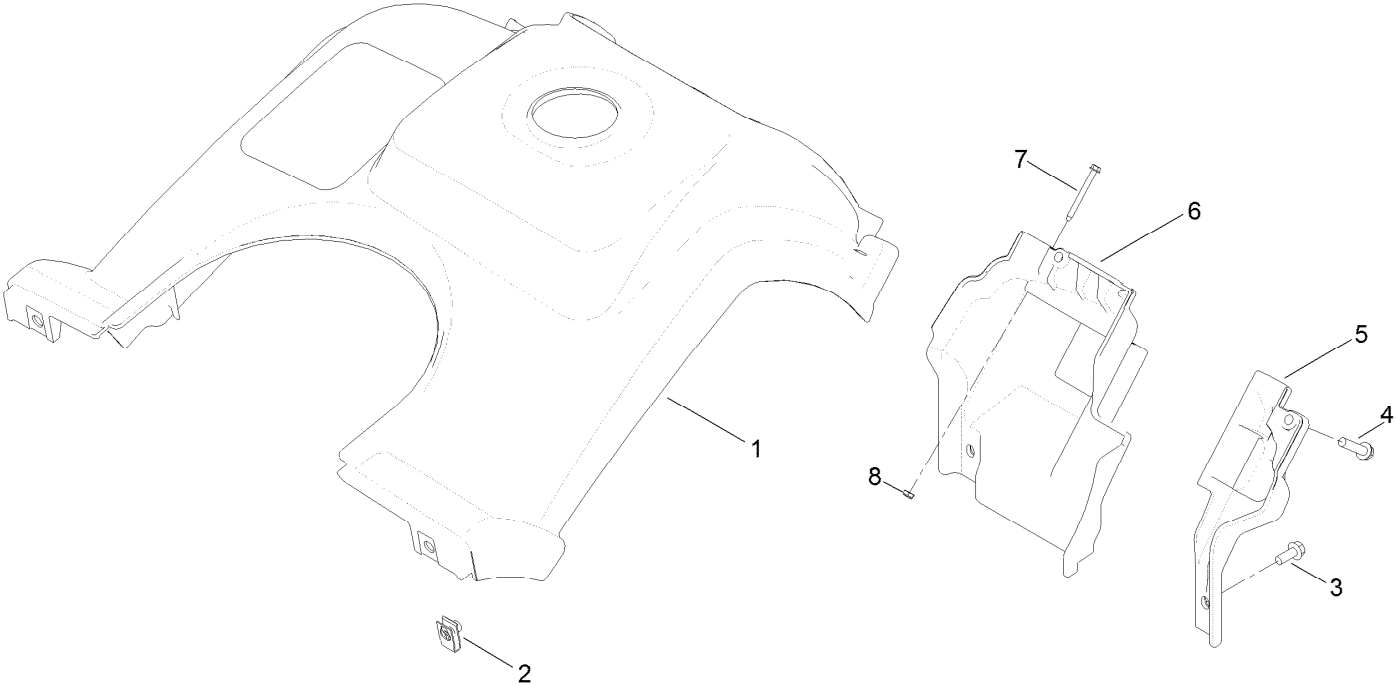
Engine Assembly No. 3



Engine Assembly No. 3 (continued)

<i>Ref.</i>	<i>Part Number</i>	<i>Qty.</i>	<i>Description</i>	<i>Ref.</i>	<i>Part Number</i>	<i>Qty.</i>	<i>Description</i>
1	127-9368	1	Fuel Tank And Cap Kit	5	121-0489	1	Governor Kit
1:1	133-9823	1	Cap-Fuel	6	119-1926	1	Blower Shroud Kit
2	127-9072	1	Fuel Line Kit	7	119-1925	1	Recoil ASM Kit
3	133-1582	1	Electric Starter Kit	8	119-1924	1	Mitten Grip Kit
4	119-1940	1	Pinion Kit				

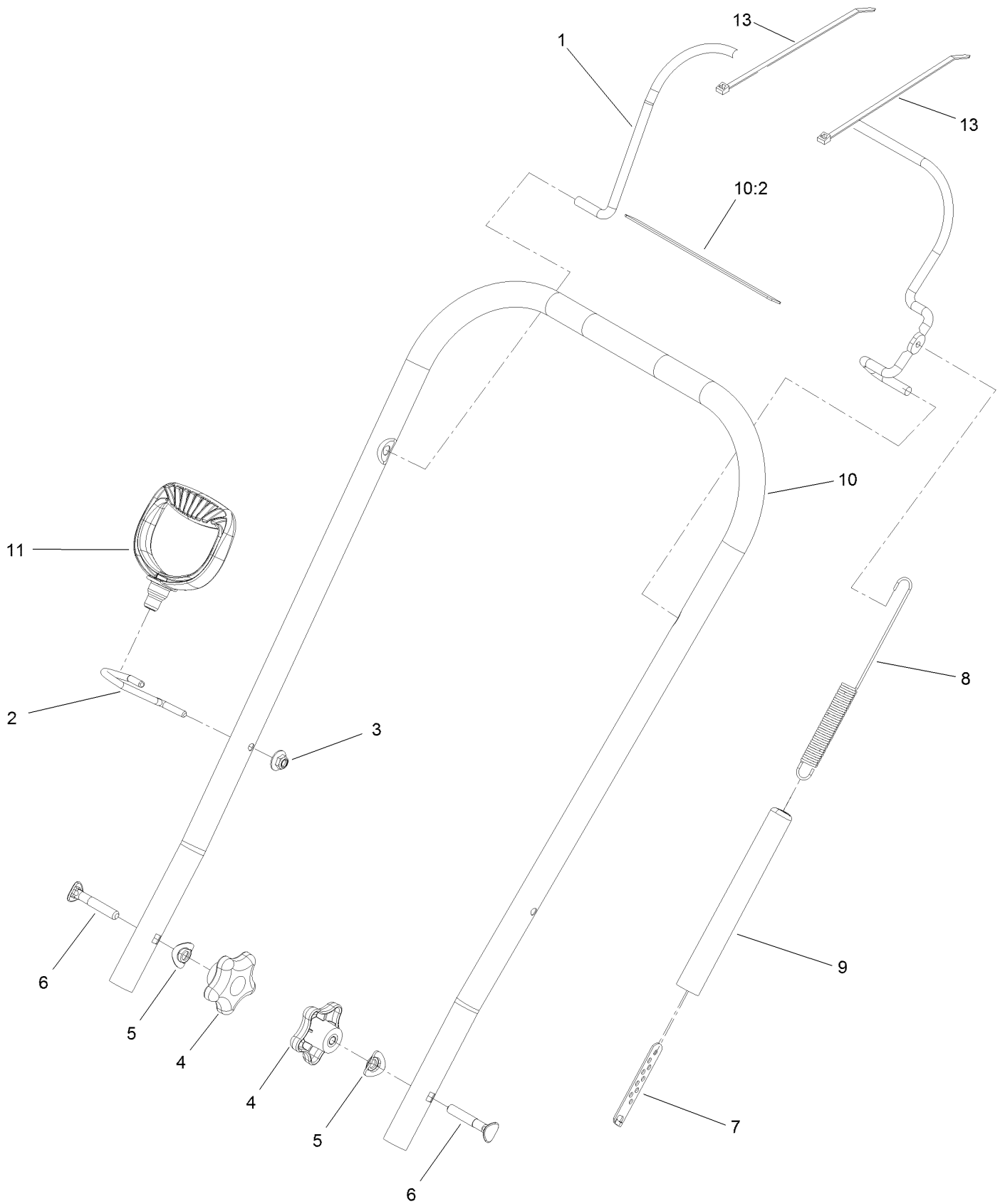
Shroud Assembly



Shroud Assembly (continued)

<i>Ref.</i>	<i>Part Number</i>	<i>Qty.</i>	<i>Description</i>	<i>Ref.</i>	<i>Part Number</i>	<i>Qty.</i>	<i>Description</i>
1	127-5970	1	Shroud ASM	5	117-7719	1	Shroud-Lower, LH
2	107069	2	Clip	6	117-7707	1	Shroud-Lower, RH
3	32144-85	2	Screw-HWH	7	117-9106	2	Screw-HWH
4	46-8094	2	Screw-Plastic	8	3296-9	2	Nut-Hex

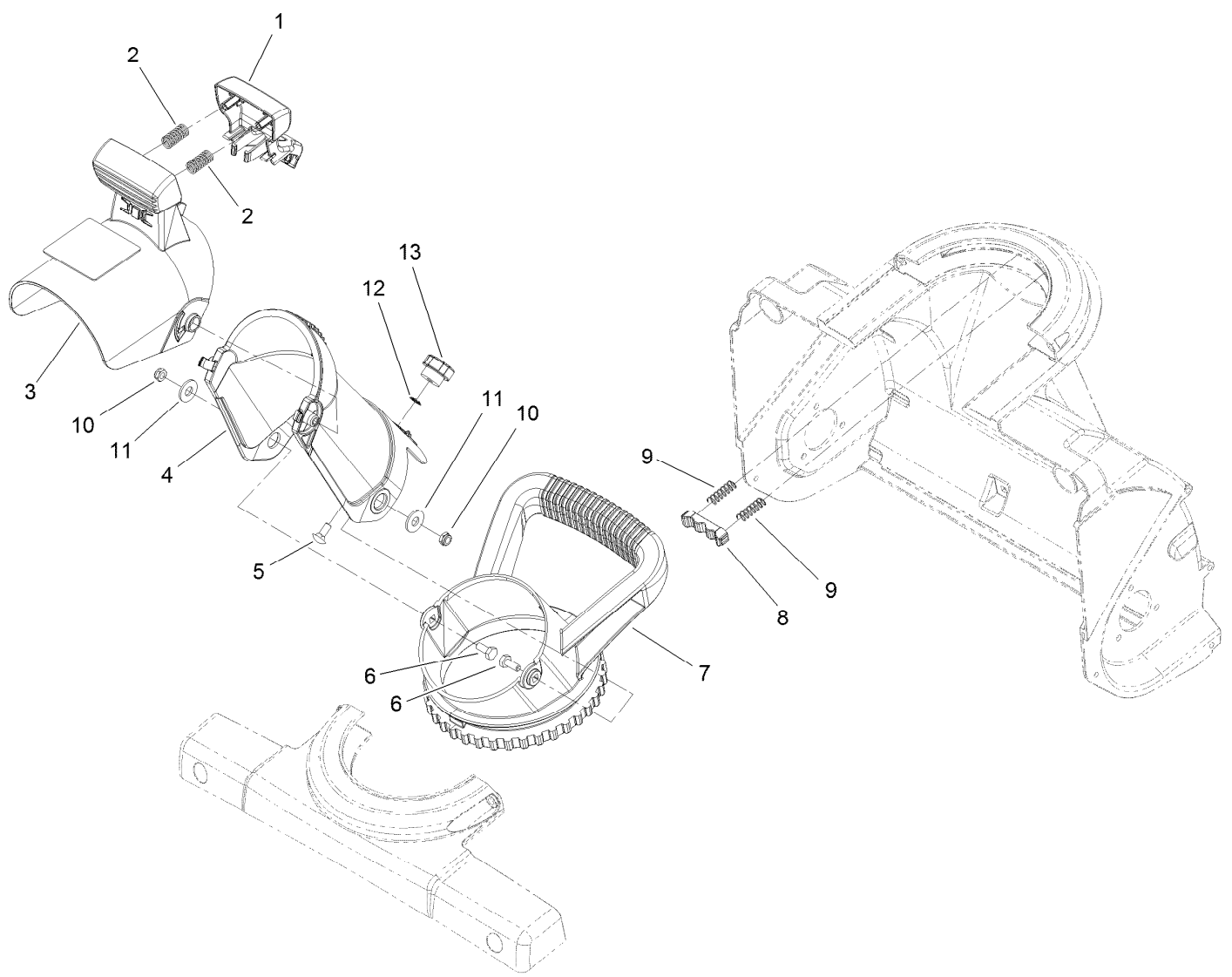
Handle Assembly



Handle Assembly (continued)

<i>Ref.</i>	<i>Part Number</i>	<i>Qty.</i>	<i>Description</i>	<i>Ref.</i>	<i>Part Number</i>	<i>Qty.</i>	<i>Description</i>
1	117-7718-03	1	Bail-Clutch	8	119-2913	1	Spring-Clutch
2	120-9804	1	Guide-Rope	9	114-3796	1	Cover-Spring
3	114-3778	1	Nut-HF	10	117-7743	1	Upper Handle ASM
4	106-4161	2	Knob-Handle	10:2	117-7713	1	Decal-Safety
5	107-3844	2	Washer	11	117-9104	1	Handle-Recoil
6	92-2260	2	Screw-Handle	13	614249	2	Tie-Cable
7	71-5330	1	Adjuster-Cable, Clutch				

Deflector Chute Control Assembly



Deflector Chute Control Assembly (continued)

<i>Ref.</i>	<i>Part Number</i>	<i>Qty.</i>	<i>Description</i>	<i>Ref.</i>	<i>Part Number</i>	<i>Qty.</i>	<i>Description</i>
1	117-2314	1	Trigger-Deflector	8	75-9160	1	Detent-Chute
2	110-9360	2	Spring-Compression	9	75-9170	2	Spring-Compression
3	117-7742	1	Chute Deflector ASM	10	3296-56	2	Nut-Lock, NI
4	117-2312	1	Chute-Discharge	11	3256-71	2	Washer-Flat
5	3229-11	1	Screw-CARR	12	32115-15	1	Pushnut-Retainer, Bolt
6	321-3	2	Screw-HH	13	233-67	1	Knob-Chute
7	117-2345	1	Handle-Chute				

Attachments and Accessories

For 38473 Power Clear 518 ZE Snowthrower

Product Name	Model/Part
High-Altitude Kit.....	121-4239
Engine Maintenance Kit.....	138-0698
Paddle Replacement Kit.....	38266
Case of 24 12-Ounce Bottles 5W30 Winter Oil	38907
Toro Snow Oil 0W30 Synthetic 20-Ounce Bottle	38913

Notes:



Count on it.