



**Count on it.**

**Parts Catalog**

**Power Clear® 721 E  
Snowthrower**

Model No. 38742—Serial No. 315000001 and Up



# Ordering Replacement Parts

To order replacement parts, please supply the part number, the quantity, and the description of each part desired.

## Understanding Reference Numbers

Each identified part in an illustration has a reference number. The reference number for a part also appears in the parts list, along with other information about the part.

This catalog uses two special reference number formats, one to indicate parts in a service assembly and another to indicate the quantity of a given part in an illustration.

## Service Assembly Reference Numbers

Parts in service assemblies have reference numbers in the form a:b. The a represents the reference number of the entire service assembly and the b represents a sequential number unique to each part within the service assembly.

For example, a wheel assembly might be identified by reference number 6, the tire by 6:1, the valve by 6:2, and the wheel by 6:3. When you order the assembly identified by reference number 6, you receive all parts identified by reference numbers 6:1, 6:2, and 6:3. However, you may also order any part individually. Reference numbers of this type appear in illustration and in parts lists.

## Reference Numbers Indicating Quantity

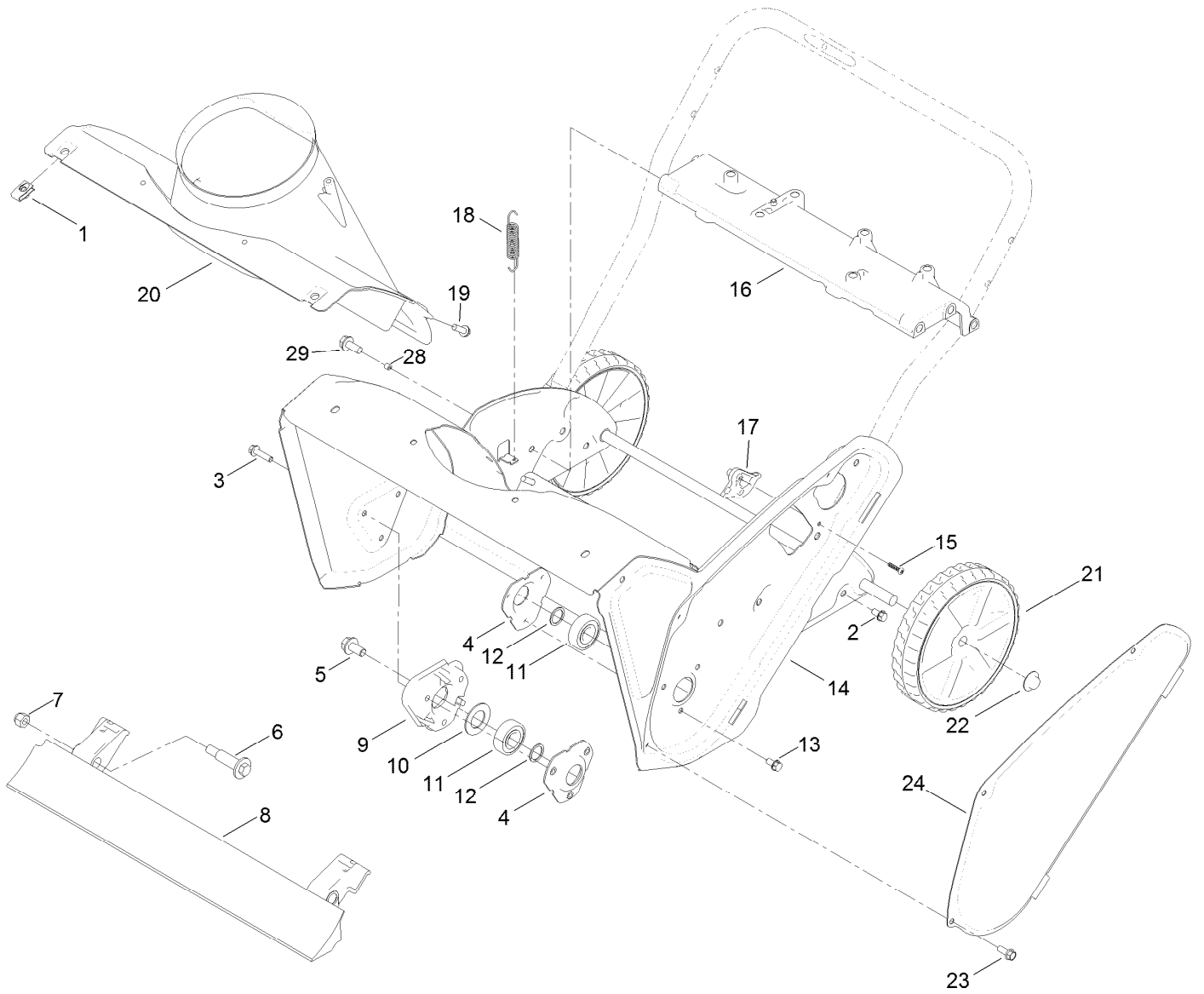
In an illustration, if a reference number indicates more than one part, the reference number has the form nX y. The n represents the quantity of the part, the X is the multiplication symbol, and the y represents the reference number.

For example, in an illustration, the reference number 2X 37 means that two of the parts identified by reference number 37 are indicated.

# Contents

Main Frame, Chute and Wheel Assembly .....	4
Belt Drive Assembly .....	6
Rotor Assembly .....	8
Engine Assembly .....	10
Engine Assembly No. 1 .....	12
Engine Assembly No. 2 .....	14
Engine Assembly No. 3 .....	16
Shroud and Fuel Tank Assembly .....	18
Chute Control Assembly .....	20
Discharge Chute Control Assembly .....	22
Upper Handle Control Assembly .....	24
Attachments and Accessories .....	26

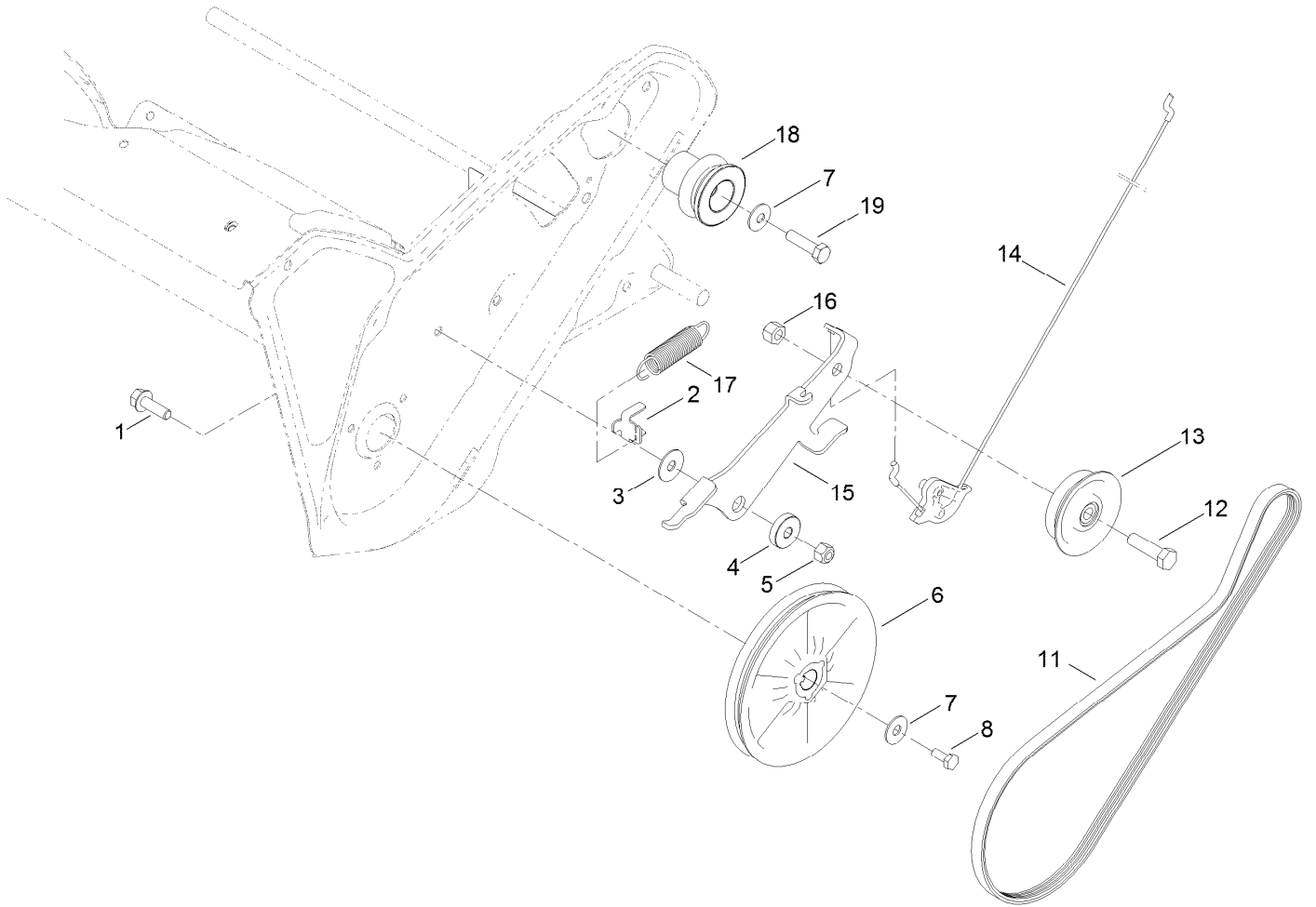
# Main Frame, Chute and Wheel Assembly



## Main Frame, Chute and Wheel Assembly (continued)

<i>Ref.</i>	<i>Part Number</i>	<i>Qty.</i>	<i>Description</i>	<i>Ref.</i>	<i>Part Number</i>	<i>Qty.</i>	<i>Description</i>
1	107069	2	Clip	14	108-4868-03	1	Housing-Auger
2	32144-11	4	Screw-HWHTF	15	94-4496	1	Screw-PPH
3	32144-86	3	Screw-HWHTF	16	108-4905	1	Brace-Frame
4	108-4943	2	Flange-Bearing	17	108-4919	1	Guide-Cable, Clutch
5	110-9380	1	Screw-HWH	18	108-4906	2	Spring-Extension
6	56-6590	2	Bolt-Wheel	19	46-8091	3	Screw-HWH
7	3296-39	2	Nut-Lock, NI	20	108-4871	1	Chute-Lower
8	108-4884	1	Blade-Scraper	21	117-2309	2	Wheel ASM
9	114-3781	1	Spacer-Bearing, RH	22	32112-14	2	Nut-Push
10	110-9353	1	Washer-Rubber	23	32144-85	3	Screw-HWH
11	100-1048	2	Bearing-Ball	24	108-4893-03	1	Cover-Belt
12	52-7280	2	Washer-Thrust	28	1-633545	2	Spacer
13	32144-4	3	Screw-HWH	29	701243	2	Screw-HWHTF

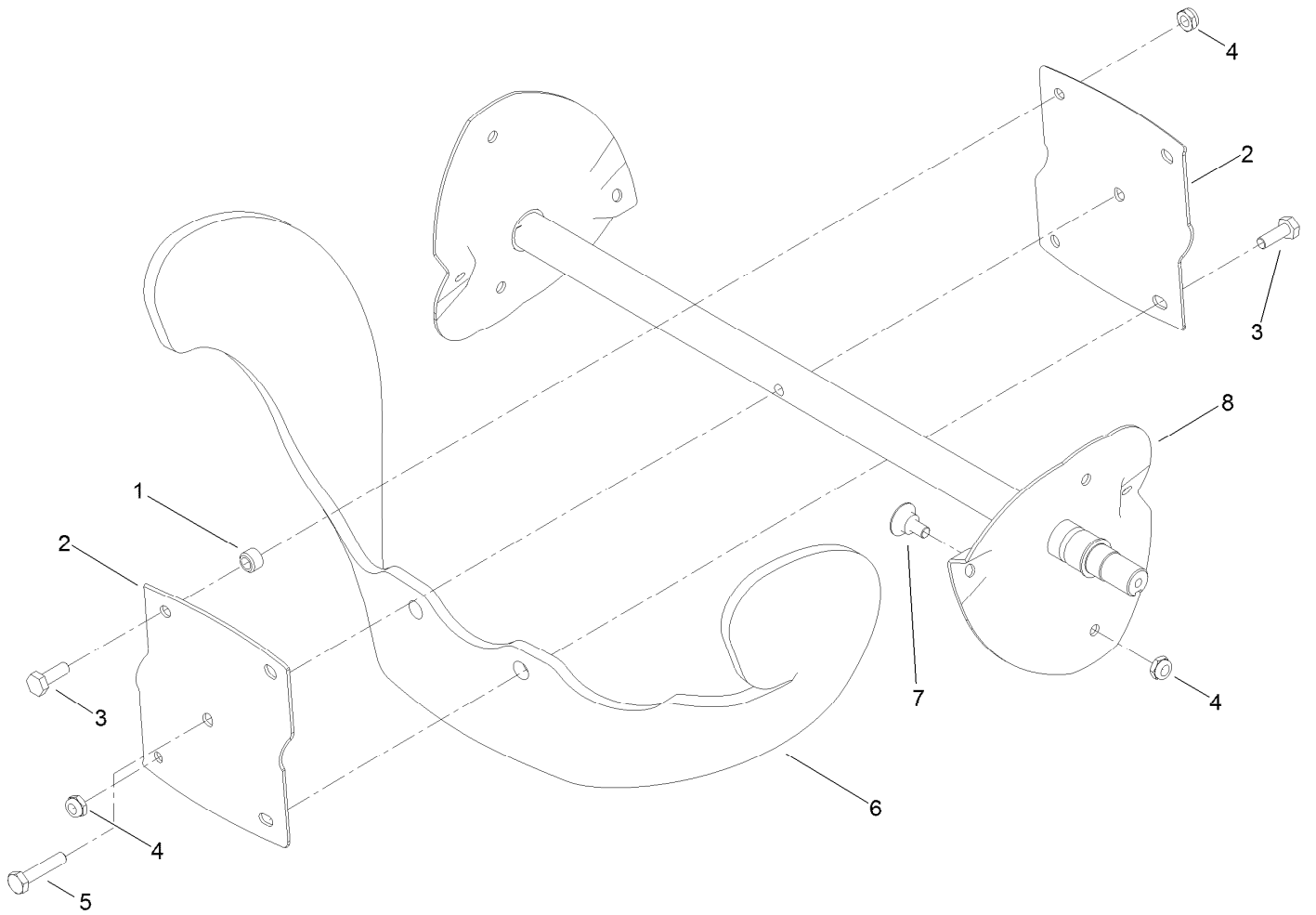
# Belt Drive Assembly



## Belt Drive Assembly (continued)

<i>Ref.</i>	<i>Part Number</i>	<i>Qty.</i>	<i>Description</i>	<i>Ref.</i>	<i>Part Number</i>	<i>Qty.</i>	<i>Description</i>
1	3234-29	1	Screw-HHF	12	323-29	1	Screw-HH
2	108-4938	1	Clip-Spring, Brake	13	114-3785	1	Pulley-Idler
3	108-4925	1	Washer	14	117-9145	1	Cable-Clutch
4	108-4916	1	Bushing-Pivot	15	114-3782	1	Arm-Idler
5	3296-29	1	Nut-Lock, NI	16	32152-2	1	Nut-Lock, Cone
6	121-6624	1	Pulley	17	121-6630	1	Spring-Extension
7	3290-456	2	Washer-Belleville	18	125-7927	1	Pulley-Engine
8	110-9381	1	Screw-HH	19	121-6646	1	Screw-HH
11	121-6622	1	Belt-Drive				

# Rotor Assembly

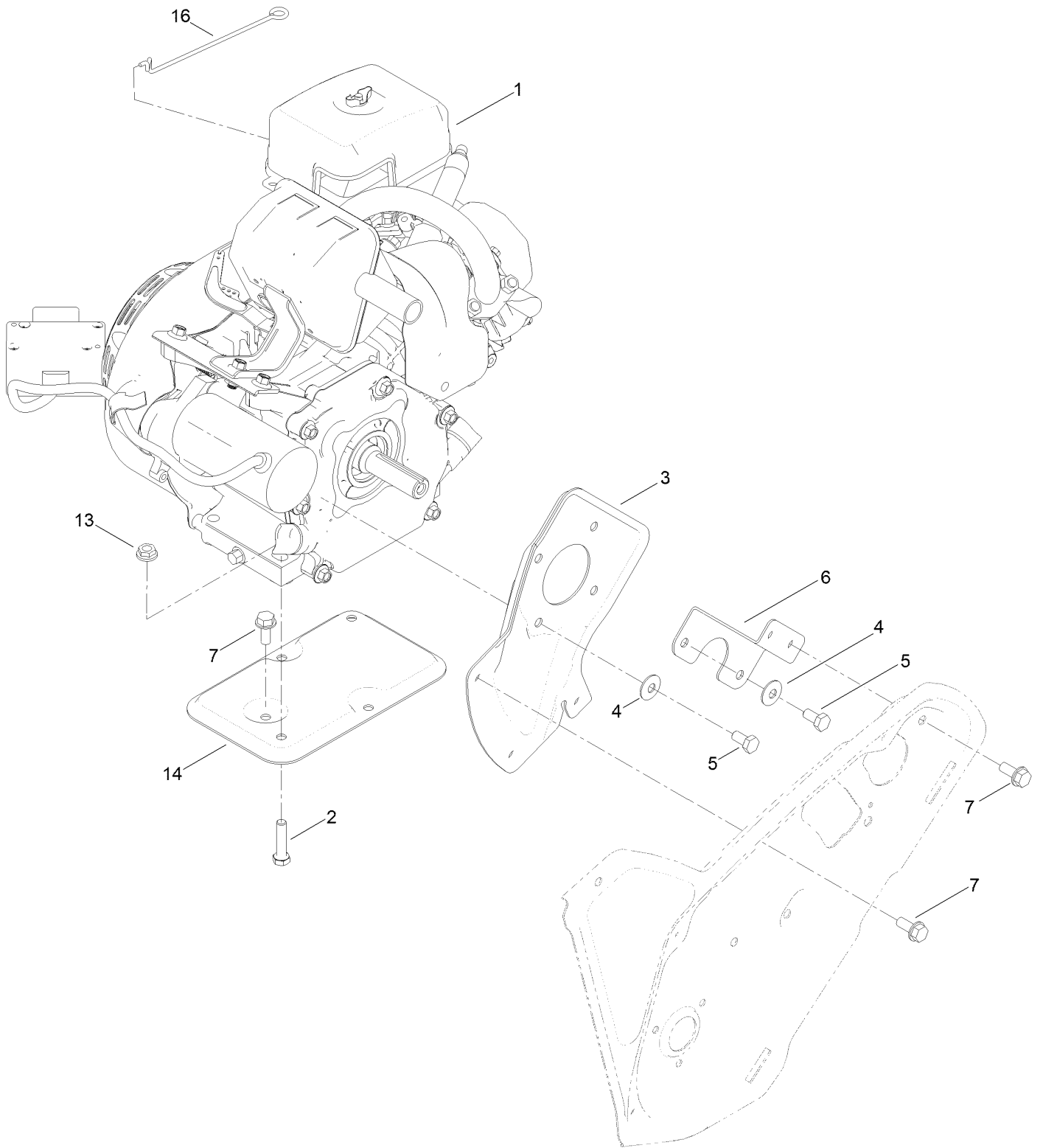




## Rotor Assembly (continued)

<i>Ref.</i>	<i>Part Number</i>	<i>Qty.</i>	<i>Description</i>	<i>Ref.</i>	<i>Part Number</i>	<i>Qty.</i>	<i>Description</i>
1	55-9370	4	Spacer-Blade, Rotor	5	321-8	1	Screw-HH
2	66-6600-03	2	Half-Rotor	6	99-9313	2	Blade-Rotor
3	321-4	4	Screw-HH	7	84-1971	8	Screw
4	3296-56	13	Nut-Lock, NI	8	108-4894-03	1	Rotor

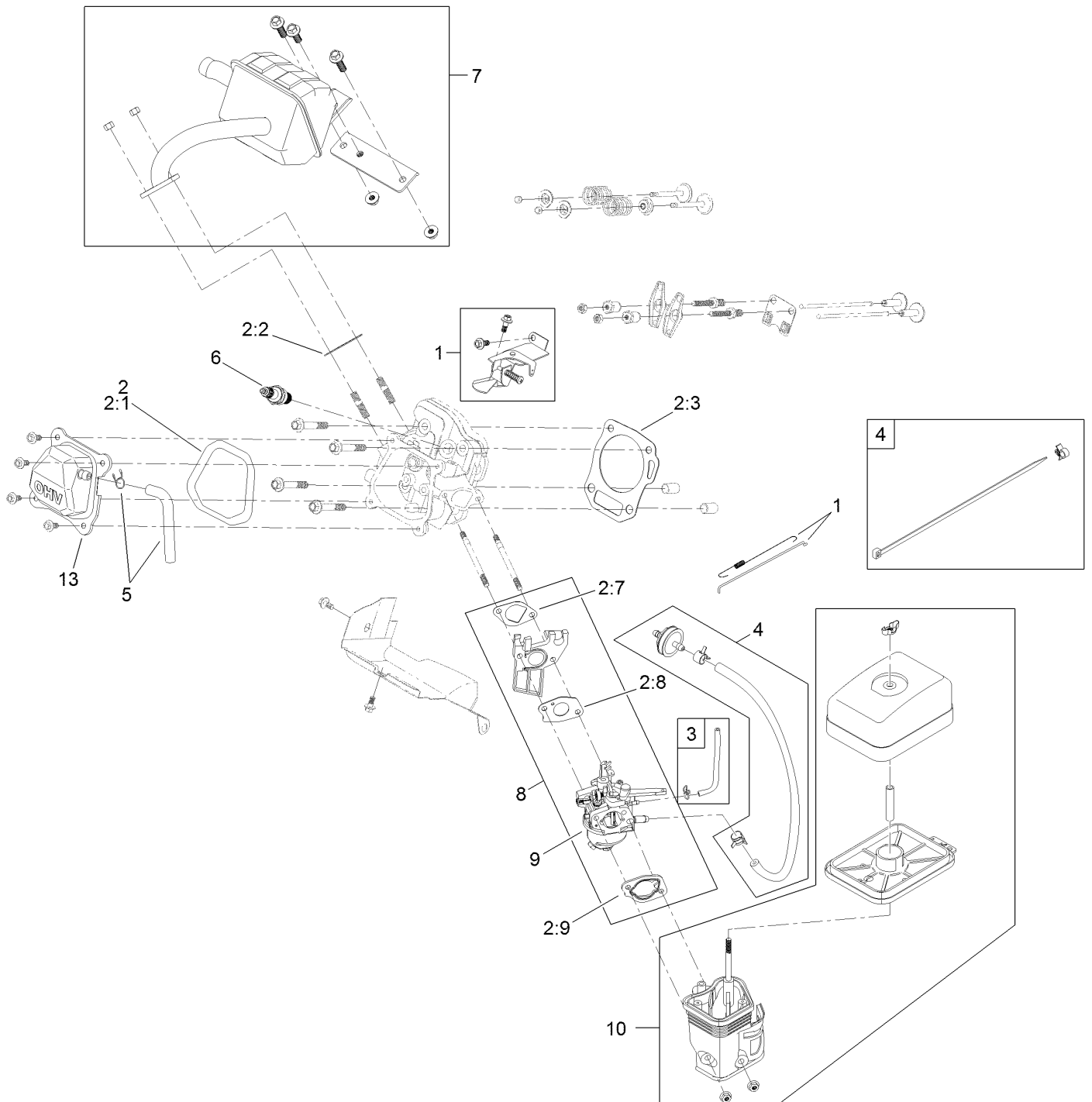
# Engine Assembly



## Engine Assembly (continued)

<i>Ref.</i>	<i>Part Number</i>	<i>Qty.</i>	<i>Description</i>	<i>Ref.</i>	<i>Part Number</i>	<i>Qty.</i>	<i>Description</i>
1	121-4225	1	Engine-170Fds-2	6	110-9354-03	1	Support-Engine, Side
2	322-17	2	Screw-HH	7	32144-11	7	Screw-HWHTF
3	108-4892-03	1	Plate-Engine, PTO	13	32128-20	2	Nut-HF
4	3290-456	4	Washer-Belleville	14	117-6037-03	1	Support-Engine
5	33114-016	4	Screw-HH	16	117-6040	1	Link-Knob, Choke

# Engine Assembly No. 1



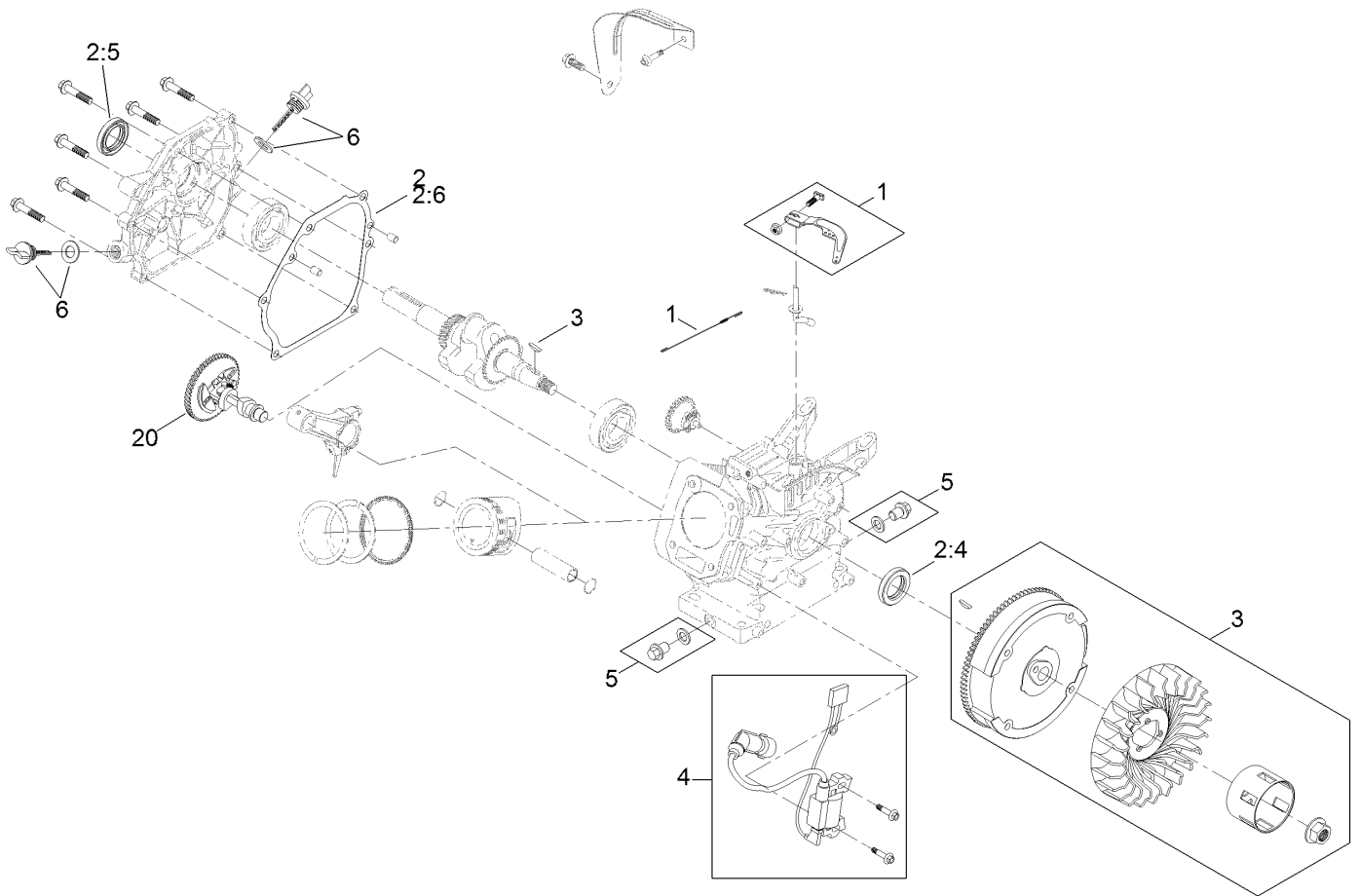
# Engine Assembly No. 1 (continued)

<i>Ref.</i>	<i>Part Number</i>	<i>Qty.</i>	<i>Description</i>	<i>Ref.</i>	<i>Part Number</i>	<i>Qty.</i>	<i>Description</i>
1	119-1957	1	Governor Kit	3	119-1949	1	Primer Line Kit
2	127-9001	1	Gasket And Seal Kit	4	121-4299	1	Fuel Line Kit
2:1	121-0109	1	Gasket-Cover, Valve	5	119-1921	1	Breather Tube Kit
2:2		1	Gasket-Exhaust ■	6	119-1901	1	Plug-Spark
2:3		1	Gasket-Head, Cylinder ■	7	121-4297	1	Muffler Kit
2:4		1	Seal-Oil ■●	8	127-9008	1	Carburetor Kit
2:5		1	Seal-Oil ■●	9	127-9089	1	Carb Repair Kit With Gaskets
2:6		1	Gasket-Cover, Crankcase ■ ●	10	121-4282	1	Heater Box Kit
2:7		1	Gasket-Carburetor ■	13	121-0499	1	Valve Cover ASM
2:8		1	Gasket-Carburetor ■	99	127-9037	1	High Altitude Kit-Pc 721 ●
2:9		1	Gasket-Carburetor ■				

● Not illustrated

■ Not serviced separately

# Engine Assembly No. 2



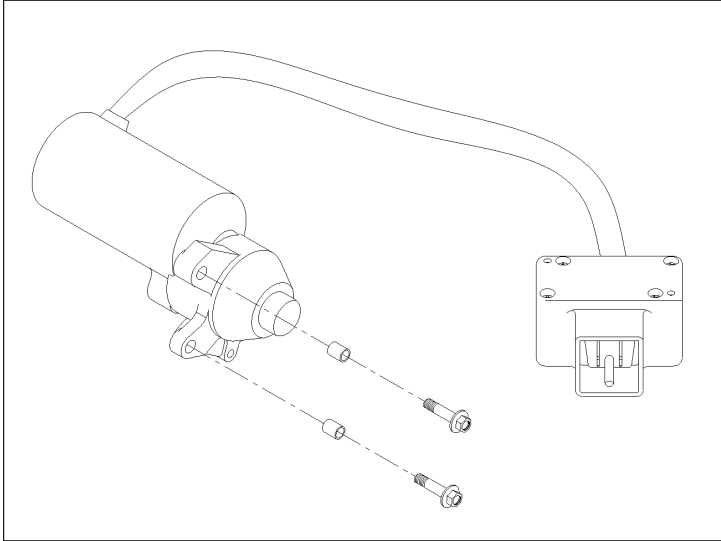
## Engine Assembly No. 2 (continued)

<i>Ref.</i>	<i>Part Number</i>	<i>Qty.</i>	<i>Description</i>	<i>Ref.</i>	<i>Part Number</i>	<i>Qty.</i>	<i>Description</i>
1	119-1957	1	Governor Kit	2:7		1	Gasket-Carburetor ■●
2	127-9001	1	Gasket And Seal Kit	2:8		1	Gasket-Carburetor ■●
2:1	121-0109	1	Gasket-Cover, Valve ●	2:9		1	Gasket-Carburetor ■●
2:2		1	Gasket-Exhaust ■●	3	127-9004	1	Recoil Flywheel Kit
2:3		1	Gasket-Head, Cylinder ■●	4	119-1959	1	Ignition Kit
2:4		1	Seal-Oil ■	5	119-1923	2	Drain Plug Kit
2:5		1	Seal-Oil ■	6	127-9374	2	Dipstick And O-Ring Kit
2:6		1	Gasket-Cover, Crankcase ■	20	127-9377	1	Camshaft

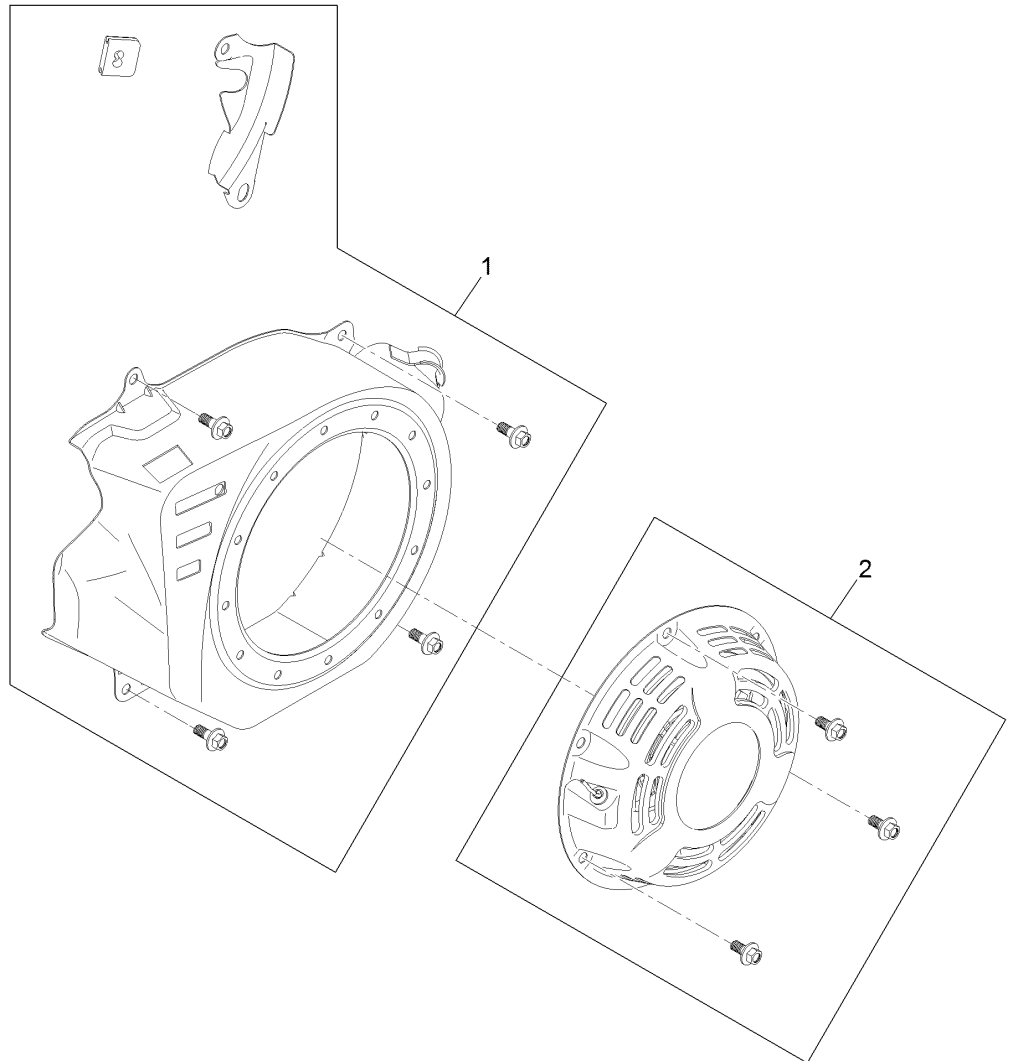
● Not illustrated

■ Not serviced separately

# Engine Assembly No. 3



3



1

2

8

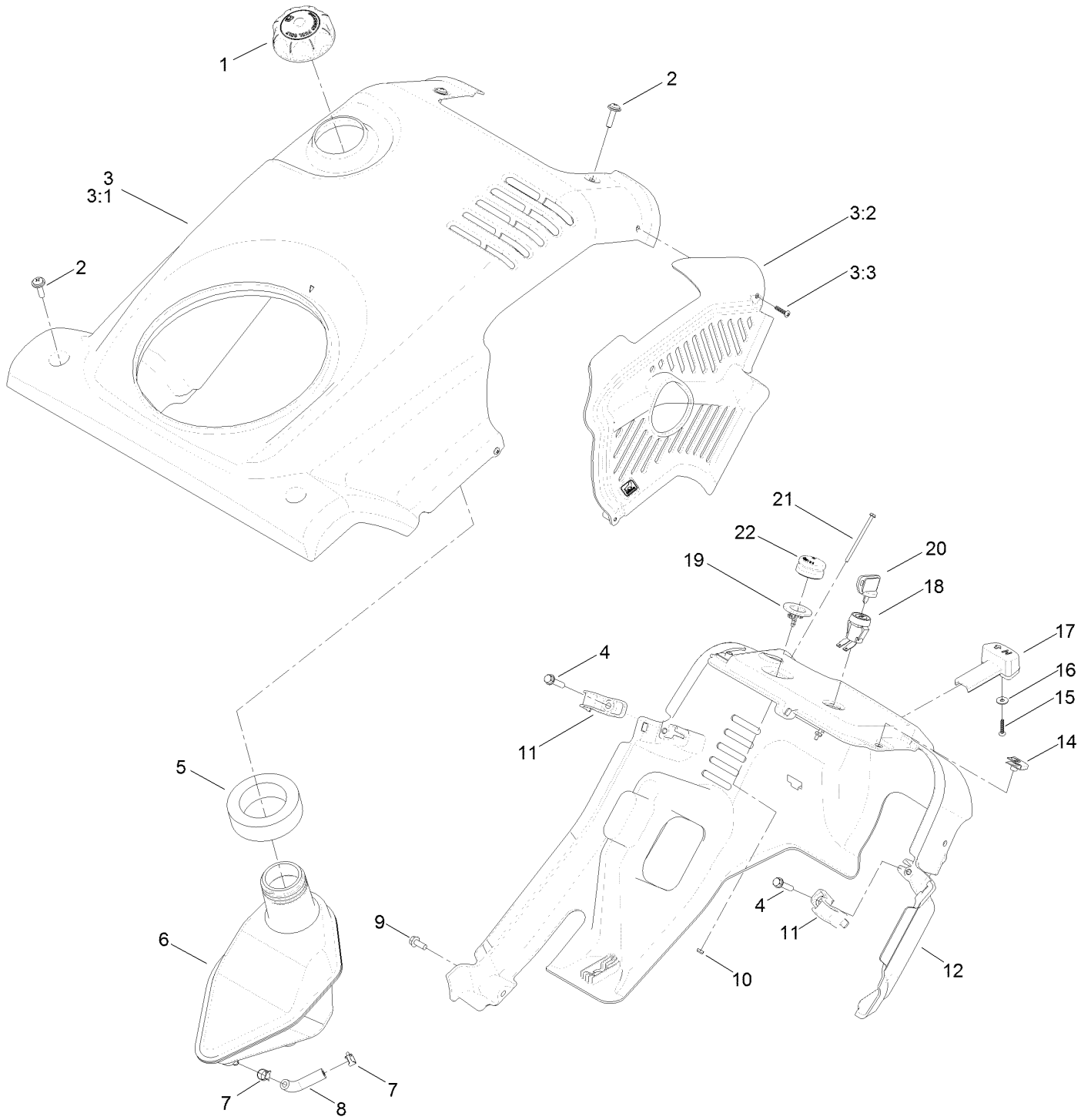


## Engine Assembly No. 3 (continued)

<i>Ref.</i>	<i>Part Number</i>	<i>Qty.</i>	<i>Description</i>	<i>Ref.</i>	<i>Part Number</i>	<i>Qty.</i>	<i>Description</i>
1	127-9012	1	Blower Shroud Kit	3	119-1952	1	Electric Starter Kit
2	121-4252	1	Recoil Kit	4	119-1956	1	Pinion Kit ●

● Not illustrated

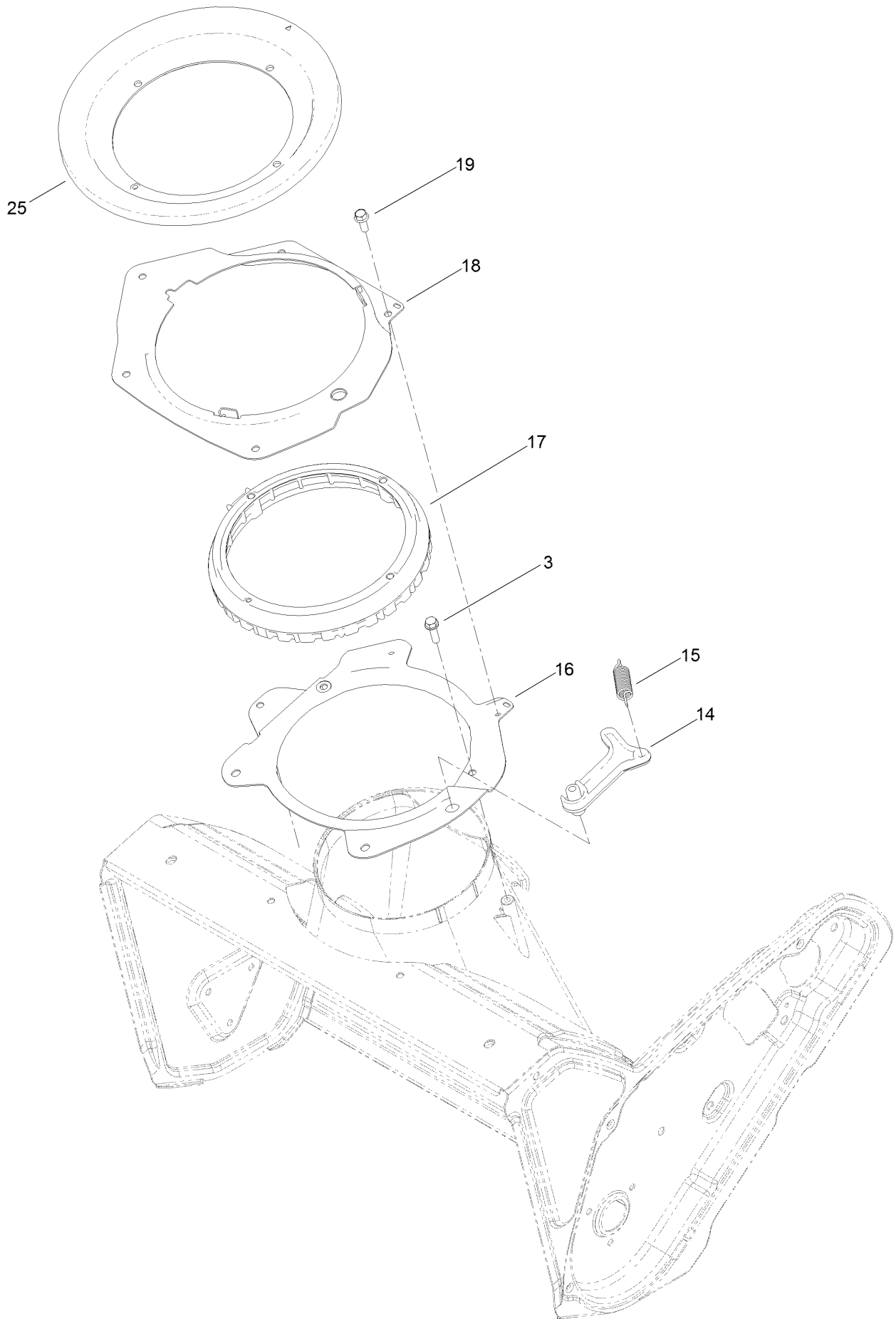
# Shroud and Fuel Tank Assembly



## Shroud and Fuel Tank Assembly (continued)

<i>Ref.</i>	<i>Part Number</i>	<i>Qty.</i>	<i>Description</i>	<i>Ref.</i>	<i>Part Number</i>	<i>Qty.</i>	<i>Description</i>
1	125-7928	1	Cap-Gas	10	3296-9	2	Nut-Hex
2	110-9361	4	Screw-PPH	11	108-4947	2	Clip-Shroud
3	127-5981	1	Shroud ASM	12	117-6046	1	Shroud-Lower
3:1	127-5982	1	Shroud	14	107069	2	Clip
3:2	117-6035	1	Baffle-Exhaust	15	94-4496	1	Screw-PPH
3:3	94-4496	2	Screw-PPH	16	3256-49	1	Washer-Plain
4	46-8092	2	Screw-Plastite	17	117-9100	1	Knob-Choke
5	114-3773	1	Seal-Tank	18	40-5940	1	Switch
6	120-9848	1	Tank-Fuel, Gas	19	44-2750	1	Body-Primer
7	2412-98	2	Clamp-Hose	20	63-8360	1	Key-Ignition
8	109-0660	1	Hose-Fuel	21	117-9106	2	Screw-HWH
9	32144-85	1	Screw-HWH	22	66-7460	1	Bulb-Primer

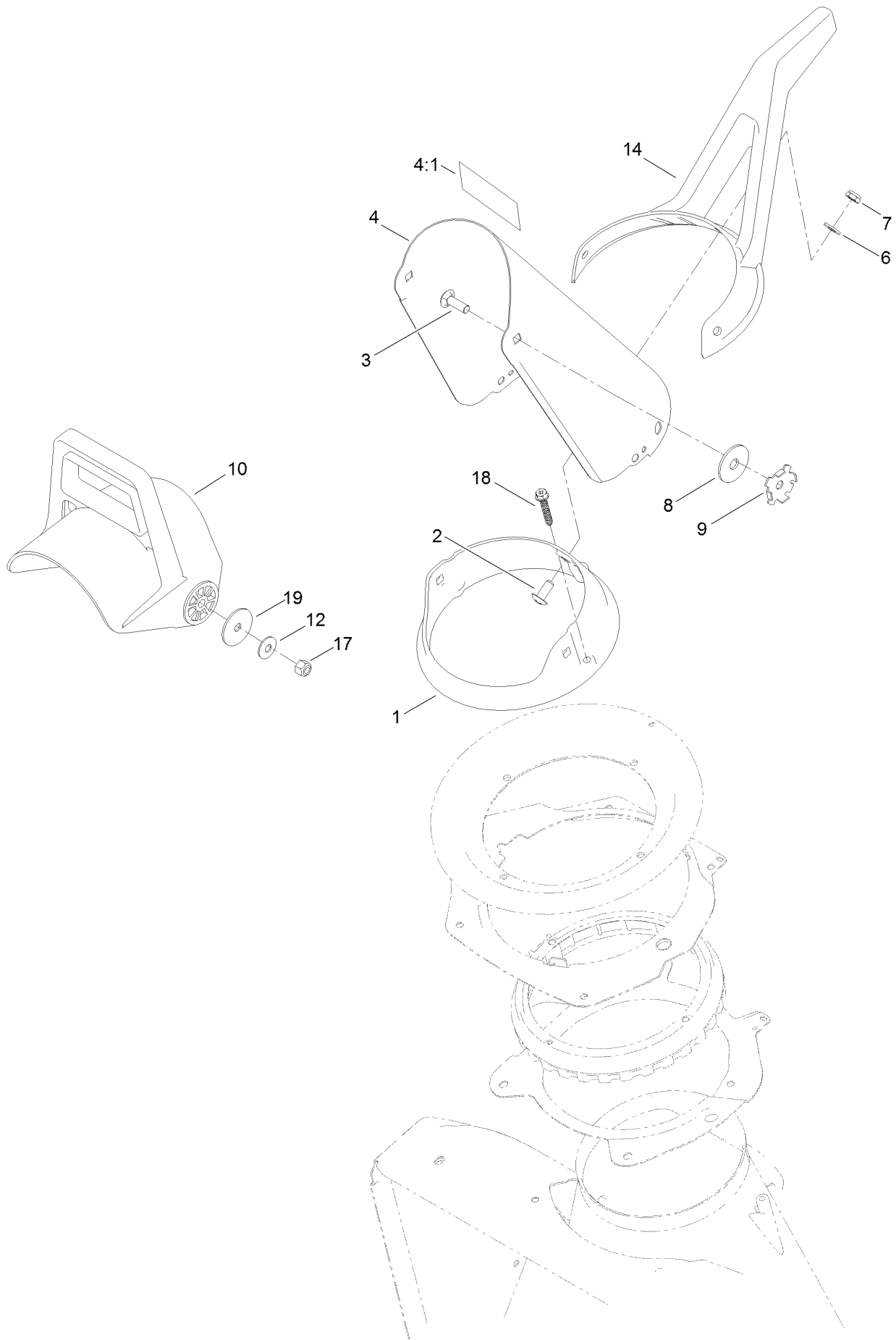
# Chute Control Assembly



## Chute Control Assembly (continued)

<i>Ref.</i>	<i>Part Number</i>	<i>Qty.</i>	<i>Description</i>	<i>Ref.</i>	<i>Part Number</i>	<i>Qty.</i>	<i>Description</i>
3	46-8091	4	Screw-HWH	17	108-4922	1	Ring-Chute, Detent
14	108-4926	1	Pawl-Detent	18	108-4874-03	1	Retainer-Ring, Chute
15	80-4600	1	Spring-Extension	19	32144-85	2	Screw-HWH
16	108-4883-03	1	Ring-Support, Chute	25	114-3772	1	Seal-Ring, Chute

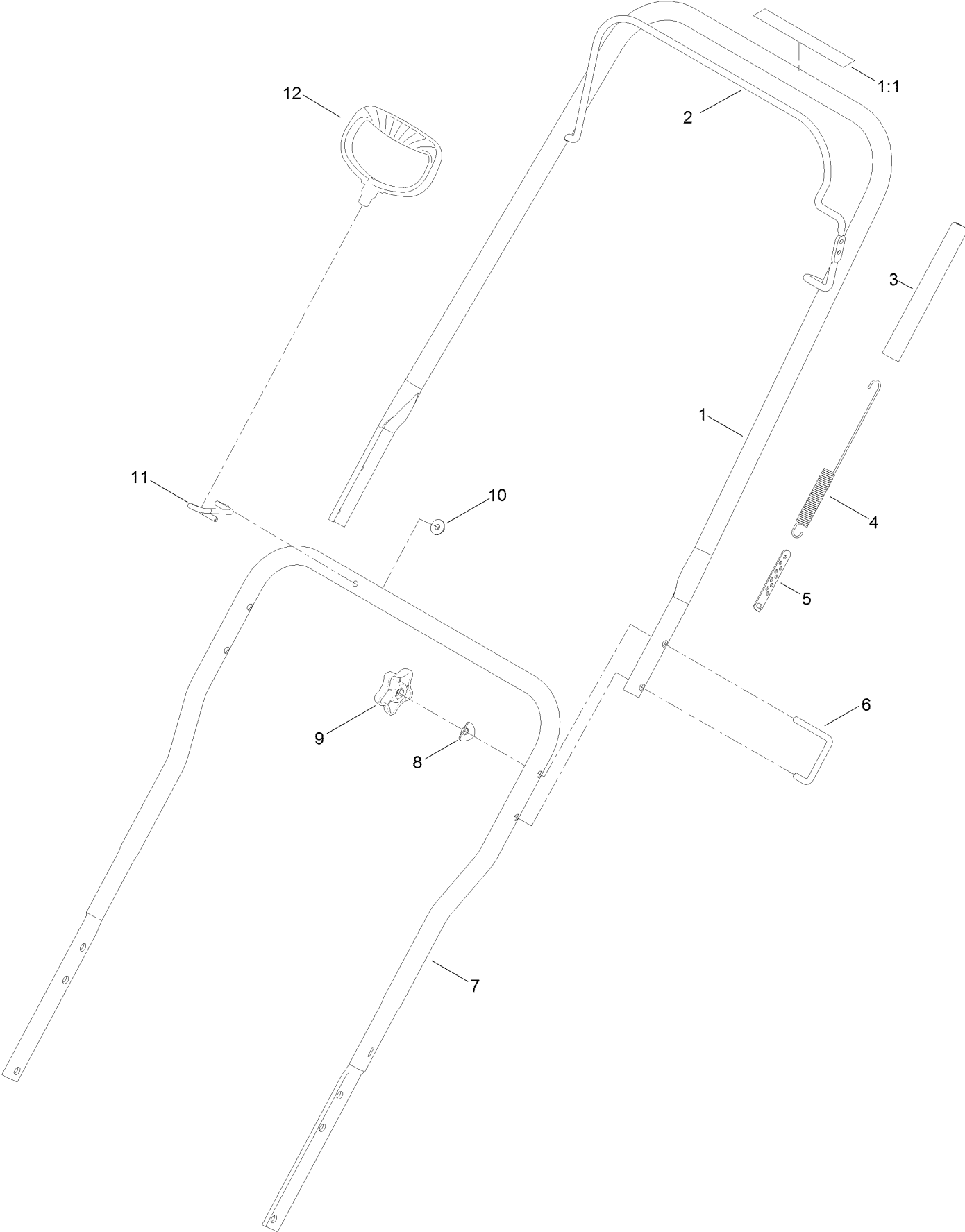
# Discharge Chute Control Assembly



## Discharge Chute Control Assembly (continued)

<i>Ref.</i>	<i>Part Number</i>	<i>Qty.</i>	<i>Description</i>	<i>Ref.</i>	<i>Part Number</i>	<i>Qty.</i>	<i>Description</i>
1	112-1546	1	Ring-Chute	9	55-8950	2	Plate-Friction
2	100-5487	3	Screw-PTH	10	56-2680	1	Chute-Deflector
3	3230-22	2	Screw-CARR	12	3290-456	2	Washer-Belleville
4	120-0131	1	Discharge Chute ASM	14	94-9914	1	Handle-Control, Chute
4:1	115-5660	1	Decal-Danger, CE	17	3296-29	2	Nut-Lock, NI
6	3256-70	3	Washer-Flat	18	108-4946	3	Screw-Plastite
7	3296-47	3	Nut-Lock, NI	19	3256-68	2	Washer-Flat
8	20-4320	2	Washer-Rubber				

# Upper Handle Control Assembly





## Upper Handle Control Assembly (continued)

<i>Ref.</i>	<i>Part Number</i>	<i>Qty.</i>	<i>Description</i>	<i>Ref.</i>	<i>Part Number</i>	<i>Qty.</i>	<i>Description</i>
1	117-9139	1	Upper Handle ASM	7	127-5956-03	1	Handle-Lower
1:1	94-2577	1	Decal-Drive, Rotor	8	107-3844	2	Washer
2	117-9136-03	1	Bail-Clutch	9	114-3779	2	Knob-Handle
3	114-3796	1	Cover-Spring	10	114-3778	1	Nut-HF
4	125-1148	1	Spring-Extension, Clutch	11	108-4949	1	Guide-Rope
5	71-5330	1	Adjuster-Cable, Clutch	12	117-9104	1	Handle-Recoil
6	108-4887	2	Lock-Handle				

# Attachments and Accessories

## For 38742 Power Clear 721 E Snowthrower

<b>Product Name</b>	<b>Model/Part</b>
High-Altitude Kit.....	127-9037
Engine Maintenance Kit.....	138-0699
Long Life Rotor Blade Kit.....	38205
Paddle Replacement Kit.....	38261
Case of 24 20-Ounce Bottles 5W30 Winter Oil.....	38908
Toro Snow Oil 0W30 Synthetic 20-Ounce Bottle.....	38913
Toro Single Stage Cover.....	490-7464
Plain Single Stage Cover.....	490-7465
Snow Cab.....	88-0600

**Notes:**



**Count on it.**