



**Count on it.**

**Parts Catalog**

**Power Clear® 721**

**QZE Snowthrower**

Model No. 38744—Serial No. 402082000 and Up



# Ordering Replacement Parts

To order replacement parts, please supply the part number, the quantity, and the description of each part desired.

## Understanding Reference Numbers

Each identified part in an illustration has a reference number. The reference number for a part also appears in the parts list, along with other information about the part.

This catalog uses two special reference number formats, one to indicate parts in a service assembly and another to indicate the quantity of a given part in an illustration.

## Service Assembly Reference Numbers

Parts in service assemblies have reference numbers in the form a:b. The a represents the reference number of the entire service assembly and the b represents a sequential number unique to each part within the service assembly.

For example, a wheel assembly might be identified by reference number 6, the tire by 6:1, the valve by 6:2, and the wheel by 6:3. When you order the assembly identified by reference number 6, you receive all parts identified by reference numbers 6:1, 6:2, and 6:3. However, you may also order any part individually. Reference numbers of this type appear in illustration and in parts lists.

## Reference Numbers Indicating Quantity

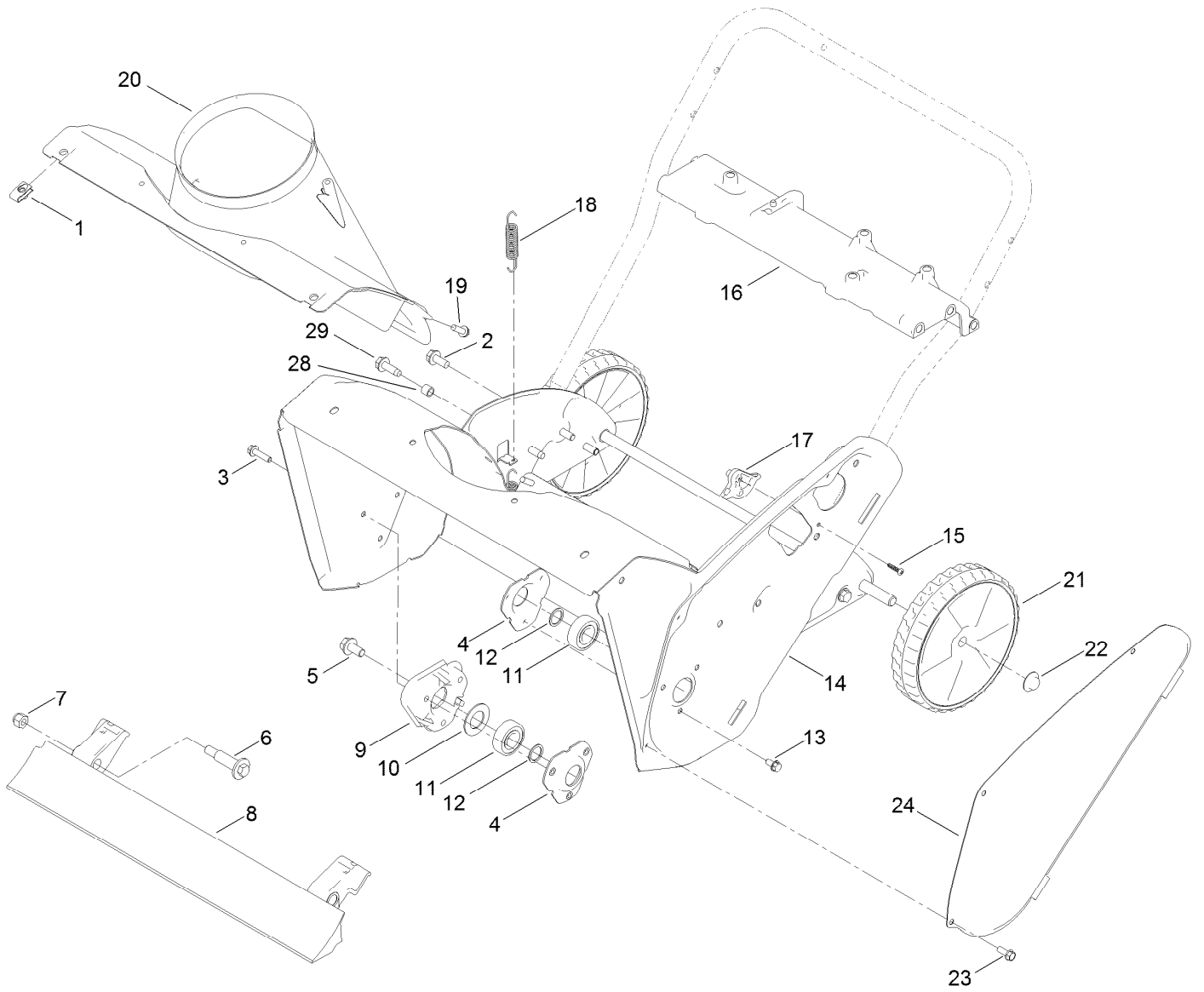
In an illustration, if a reference number indicates more than one part, the reference number has the form nX y. The n represents the quantity of the part, the X is the multiplication symbol, and the y represents the reference number.

For example, in an illustration, the reference number 2X 37 means that two of the parts identified by reference number 37 are indicated.

# Contents

Main Frame, Chute and Wheel Assembly .....	4
Rotor and Rotor Drive Assembly .....	6
Rotor Assembly .....	8
Engine Assembly .....	10
Engine Assembly No. 1.....	12
Engine Assembly No. 2.....	14
Engine Assembly No. 3.....	16
Shroud and Fuel Tank Assembly .....	18
Chute Control Assembly .....	20
Upper Handle Control Assembly .....	22
Handle Chute Control Assembly .....	24
Attachments and Accessories .....	26

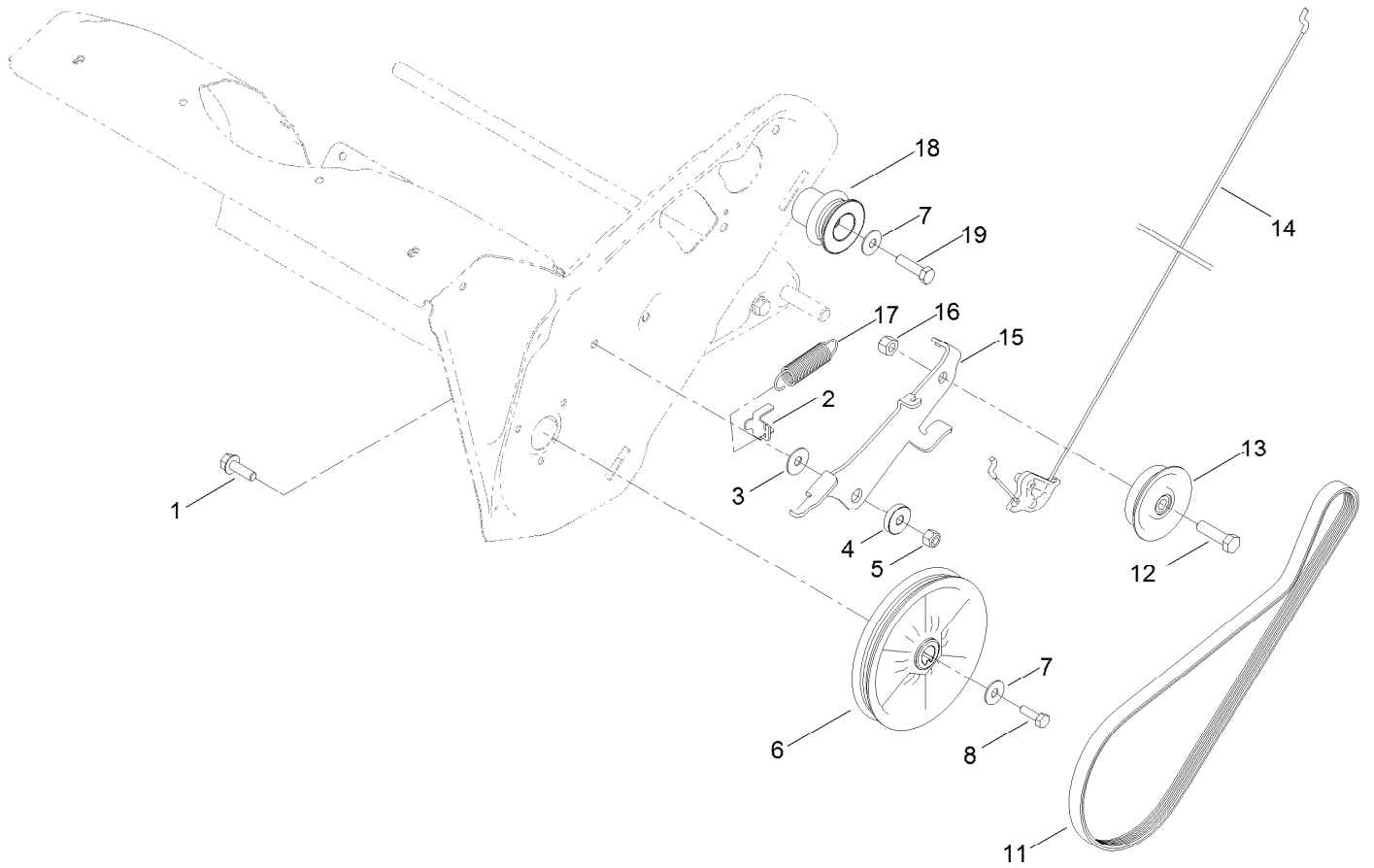
# Main Frame, Chute and Wheel Assembly



## Main Frame, Chute and Wheel Assembly (continued)

<i>Ref.</i>	<i>Part Number</i>	<i>Qty.</i>	<i>Description</i>	<i>Ref.</i>	<i>Part Number</i>	<i>Qty.</i>	<i>Description</i>
1	107069	2	Clip	14	108-4868-03	1	Housing-Auger
2	32144-11	4	Screw-HWHTF	15	94-4496	1	Screw-PPH
3	32144-86	3	Screw-HWHTF	16	130-9765	1	Brace-Frame
4	136-7134	2	Flange-Bearing	17	108-4919	1	Guide-Cable, Clutch
5	110-9380	1	Screw-HWH	18	108-4906	2	Spring-Extension
6	136-7198	2	Bolt-Shoulder	19	46-8091	3	Screw-HWH
7	3296-39	2	Nut-Lock, NI	20	108-4871	1	Chute-Lower
8	133-5585	1	Blade-Scraper	21	117-2309	2	Wheel ASM
9	114-3781	1	Spacer-Bearing, RH	22	32112-14	2	Nut-Push
10	110-9353	1	Washer-Rubber	23	32144-85	3	Screw-HWH
11	100-1048	2	Bearing-Ball	24	108-4893-03	1	Cover-Belt
12	52-7280	2	Washer-Thrust	28	136-7148	2	Spacer-Grommet
13	32144-4	3	Screw-HWH	29	130-9795	2	Screw-HWHTF

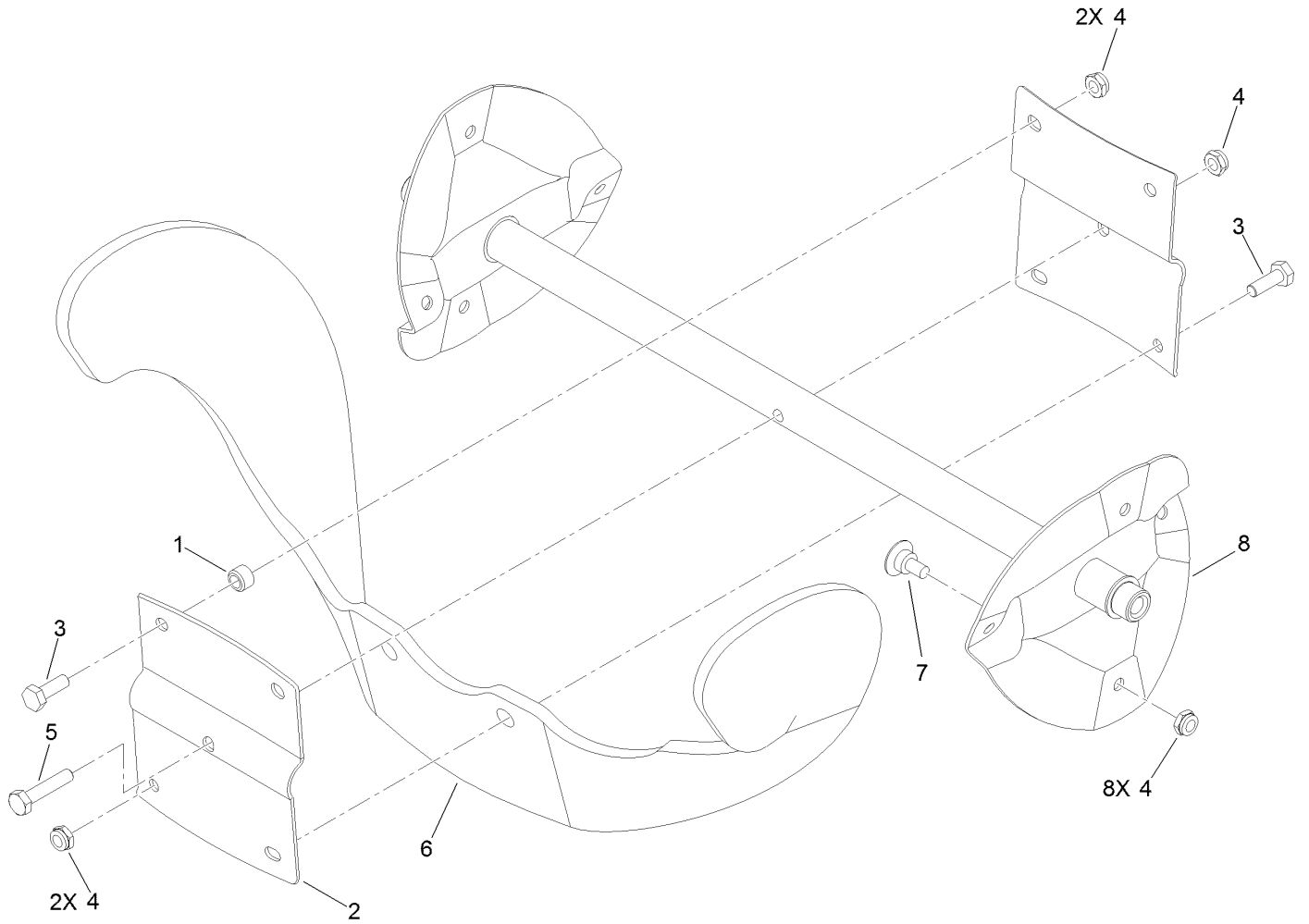
# Rotor and Rotor Drive Assembly



## Rotor and Rotor Drive Assembly (continued)

<i>Ref.</i>	<i>Part Number</i>	<i>Qty.</i>	<i>Description</i>	<i>Ref.</i>	<i>Part Number</i>	<i>Qty.</i>	<i>Description</i>
1	3234-29	1	Screw-HHF	12	323-29	1	Screw-HH
2	136-7133	1	Clip-Spring	13	114-3785	1	Pulley-Idler
3	108-4925	1	Washer	14	115-5682	1	Cable-Clutch
4	108-4916	1	Bushing-Pivot	15	136-7138	1	Arm-Idler
5	3296-29	1	Nut-Lock, NI	16	32152-2	1	Nut-Lock, Cone
6	121-6624	1	Pulley	17	121-6630	1	Spring-Extension
7	3290-456	2	Washer-Belleville	18	125-7927	1	Pulley-Engine
8	9080046	1	Screw-HH	19	121-6646	1	Screw-HH
11	121-6622	1	Belt-Drive				

# Rotor Assembly

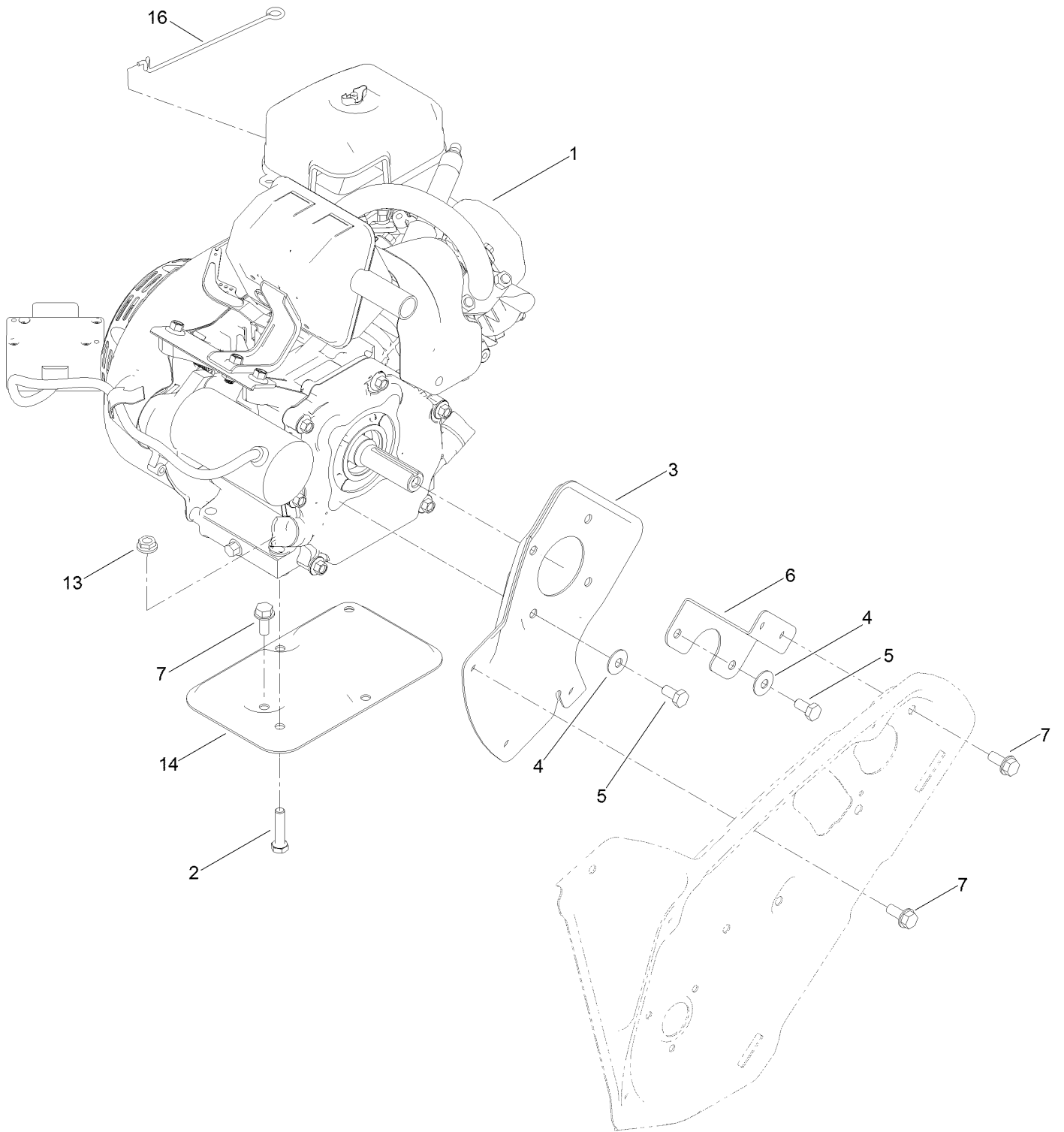




## Rotor Assembly (continued)

<i>Ref.</i>	<i>Part Number</i>	<i>Qty.</i>	<i>Description</i>	<i>Ref.</i>	<i>Part Number</i>	<i>Qty.</i>	<i>Description</i>
1	55-9370	4	Spacer-Blade, Rotor	5	321-8	1	Screw-HH
2	66-6600-03	2	Half-Rotor	6	99-9313	2	Blade-Rotor
3	321-4	4	Screw-HH	7	84-1971	8	Screw
4	3296-56	13	Nut-Lock, NI	8	131-6490	1	Rotor Kit

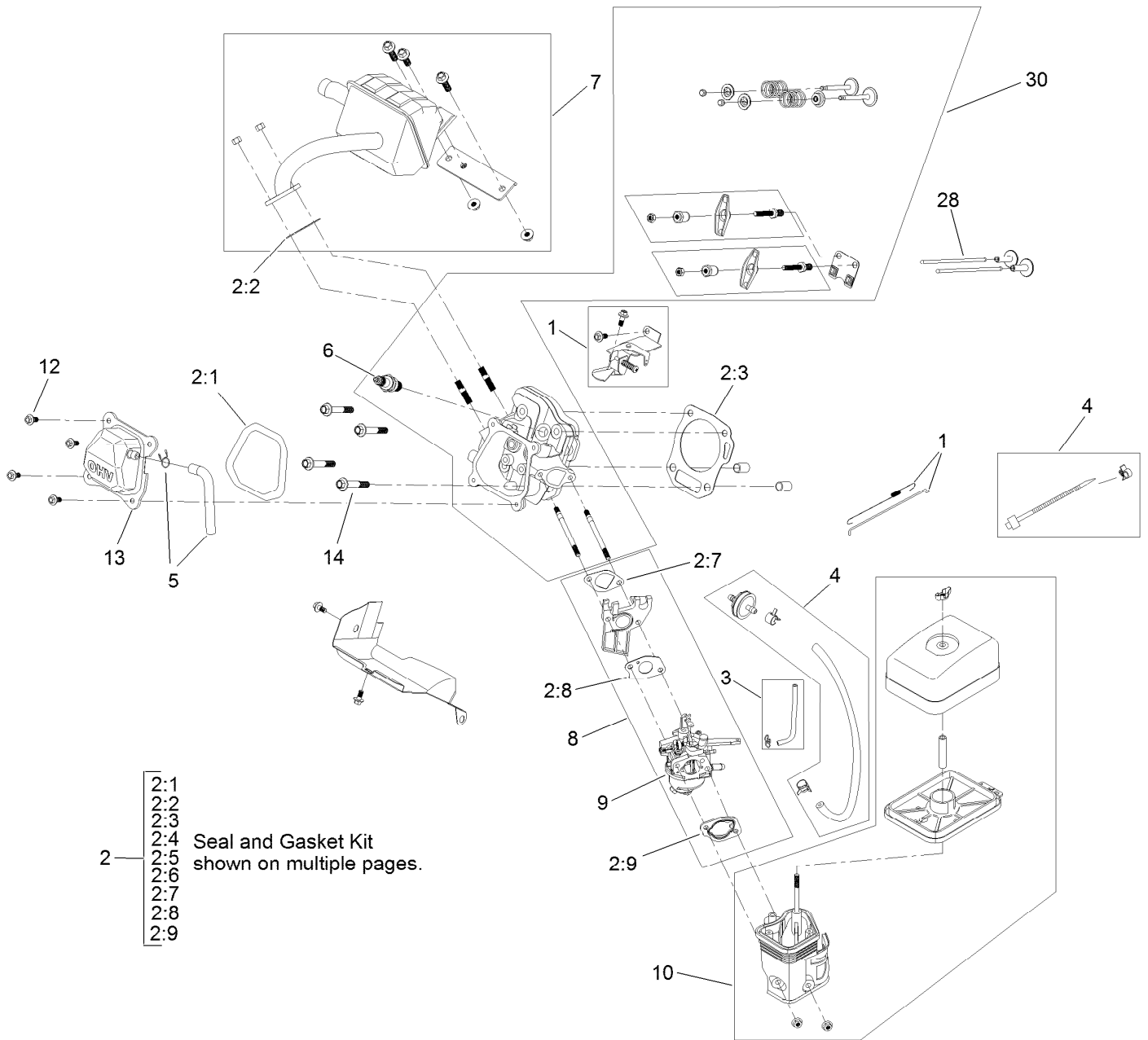
# Engine Assembly



## Engine Assembly (continued)

<i>Ref.</i>	<i>Part Number</i>	<i>Qty.</i>	<i>Description</i>	<i>Ref.</i>	<i>Part Number</i>	<i>Qty.</i>	<i>Description</i>
1	121-4225	1	Engine-170Fds-2	6	110-9354-03	1	Support-Engine, Side
2	322-17	2	Screw-HH	7	32144-11	7	Screw-HWHTF
3	108-4892-03	1	Plate-Engine, PTO	13	32128-20	2	Nut-HF
4	3290-456	4	Washer-Belleville	14	117-6037-03	1	Support-Engine
5	33114-016	4	Screw-HH	16	136-7140	1	Link-Choke

# Engine Assembly No. 1

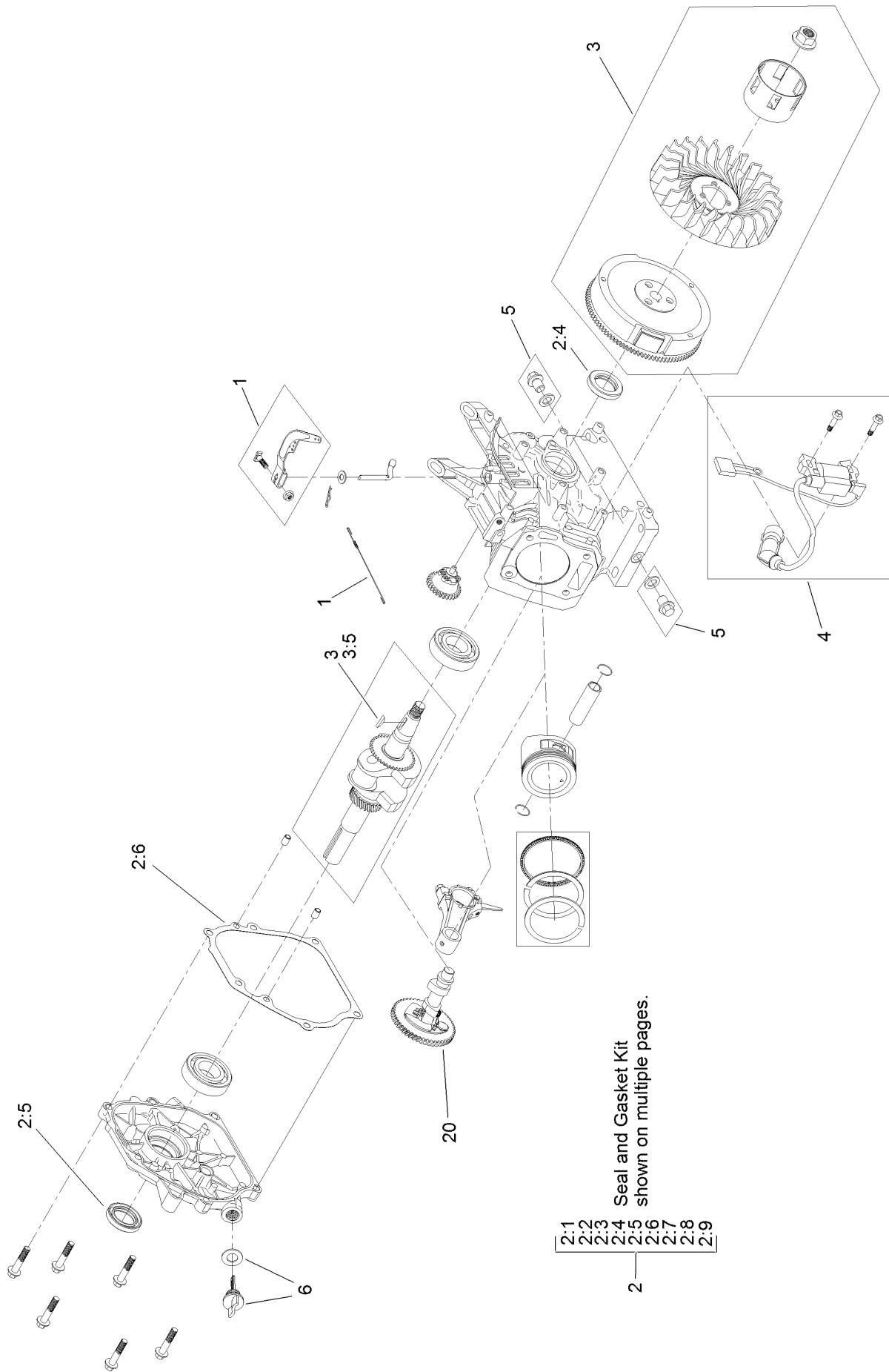


## Engine Assembly No. 1 (continued)

<i>Ref.</i>	<i>Part Number</i>	<i>Qty.</i>	<i>Description</i>	<i>Ref.</i>	<i>Part Number</i>	<i>Qty.</i>	<i>Description</i>
1	136-7765	1	Governor Kit	5	119-1921	1	Breather Tube Kit
2	127-9001	1	Gasket And Seal Kit	6	119-1901	1	Plug-Spark
2:1	121-0109	1	Gasket-Cover, Valve	7	121-4297	1	Muffler Kit
2:2	121-0167	1	Gasket-Exhaust	8	127-9008	1	Carburetor Kit
2:3	127-9000	1	Gasket-Head, Cylinder	9	127-9089	1	Carb Repair Kit With Gaskets
2:4	121-0208	1	Seal-Oil	10	121-4282	1	Heater Box Kit
2:5	121-0209	1	Seal-Oil	12	120-4454	4	Screw-HHF
2:6	121-0105	1	Gasket-Cover, Crankcase	13	121-0499	1	Valve Cover ASM
2:7	121-0076	1	Gasket-Carburetor	14	121-4110	4	Screw-HHF
2:8	121-0078	1	Gasket-Carburetor	28	121-4121	2	Rod-Push
2:9	121-0080	1	Gasket-Carburetor	30	133-9839	1	Complete Head ASM
3	127-9376	1	Primer Line Kit	99	127-9037	1	High Altitude Kit-Pc 721 ●
4	121-4299	1	Fuel Line Kit				

● Not illustrated

# Engine Assembly No. 2

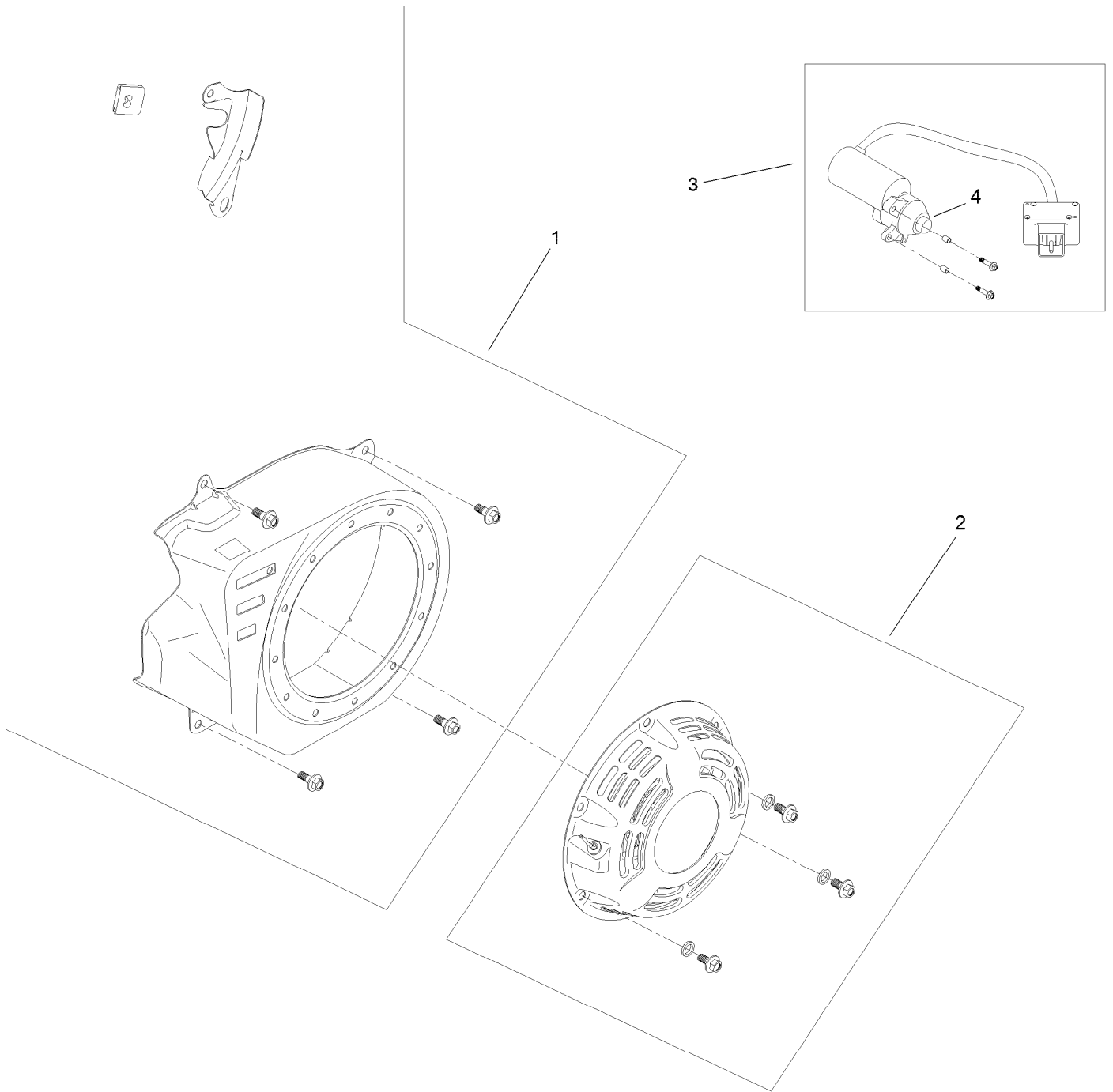


2  
 2:1  
 2:2  
 2:3  
 2:4  
 2:5  
 2:6  
 2:7  
 2:8  
 2:9

## Engine Assembly No. 2 (continued)

<i>Ref.</i>	<i>Part Number</i>	<i>Qty.</i>	<i>Description</i>	<i>Ref.</i>	<i>Part Number</i>	<i>Qty.</i>	<i>Description</i>
1	136-7765	1	Governor Kit	2:8	121-0078	1	Gasket-Carburetor
2	127-9001	1	Gasket And Seal Kit	2:9	121-0080	1	Gasket-Carburetor
2:1	121-0109	1	Gasket-Cover, Valve	3	127-9006	1	Flywheel Kit
2:2	121-0167	1	Gasket-Exhaust	3:5	120-4320	1	Key-Woodruff
2:3	127-9000	1	Gasket-Head, Cylinder	4	136-7766	1	Ignition Kit
2:4	121-0208	1	Seal-Oil	5	119-1923	2	Drain Plug Kit
2:5	121-0209	1	Seal-Oil	6	127-9374	1	Dipstick And O-Ring Kit
2:6	121-0105	1	Gasket-Cover, Crankcase	20	133-9836	1	Camshaft
2:7	121-0076	1	Gasket-Carburetor				

# Engine Assembly No. 3



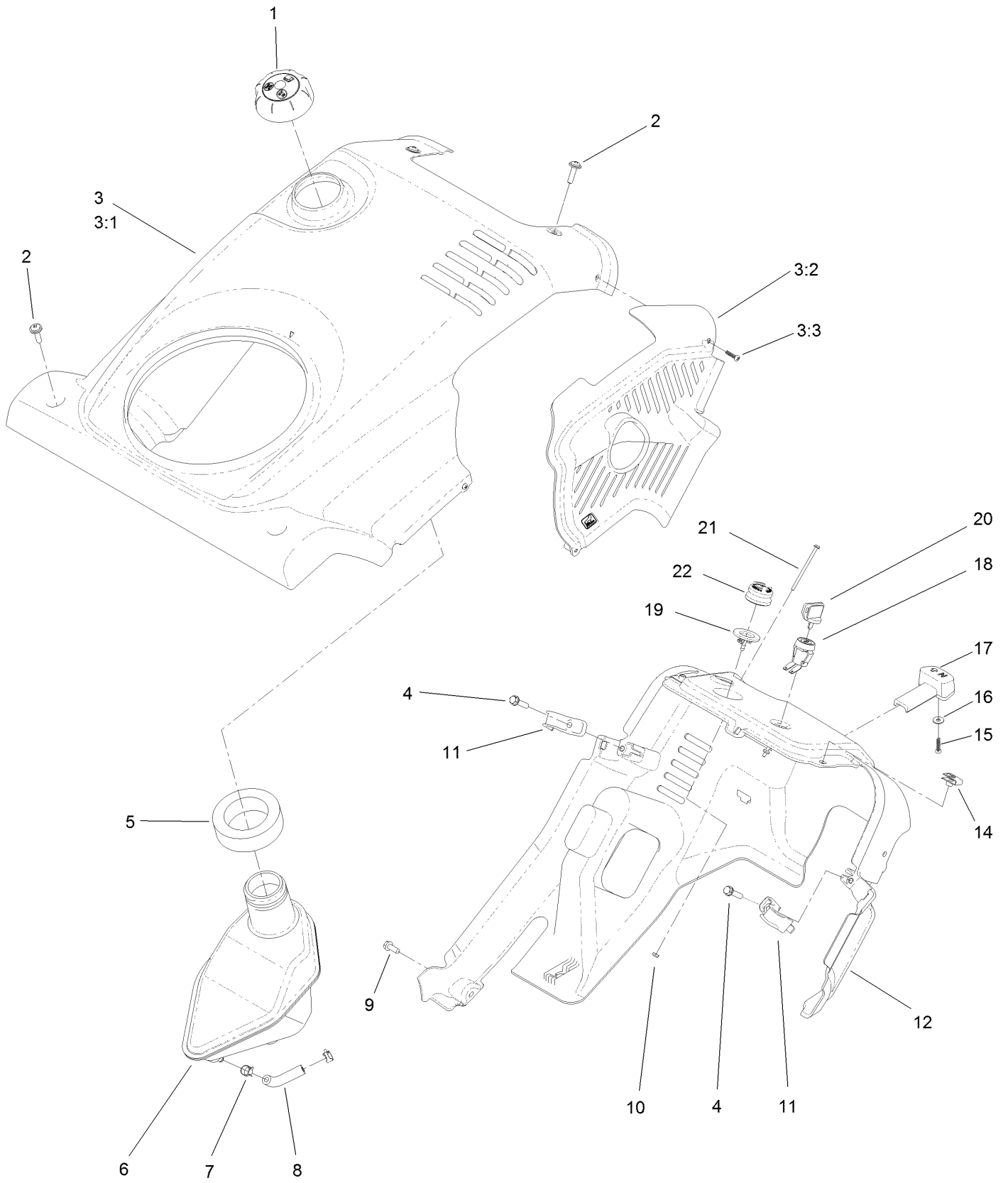


## Engine Assembly No. 3 (continued)

<i>Ref.</i>	<i>Part Number</i>	<i>Qty.</i>	<i>Description</i>	<i>Ref.</i>	<i>Part Number</i>	<i>Qty.</i>	<i>Description</i>
1	127-9012	1	Blower Shroud Kit	3	136-7767	1	Electric Starter Kit
2	121-4252	1	Recoil Kit	4	119-1956	1	Pinion Kit ●

● Not illustrated

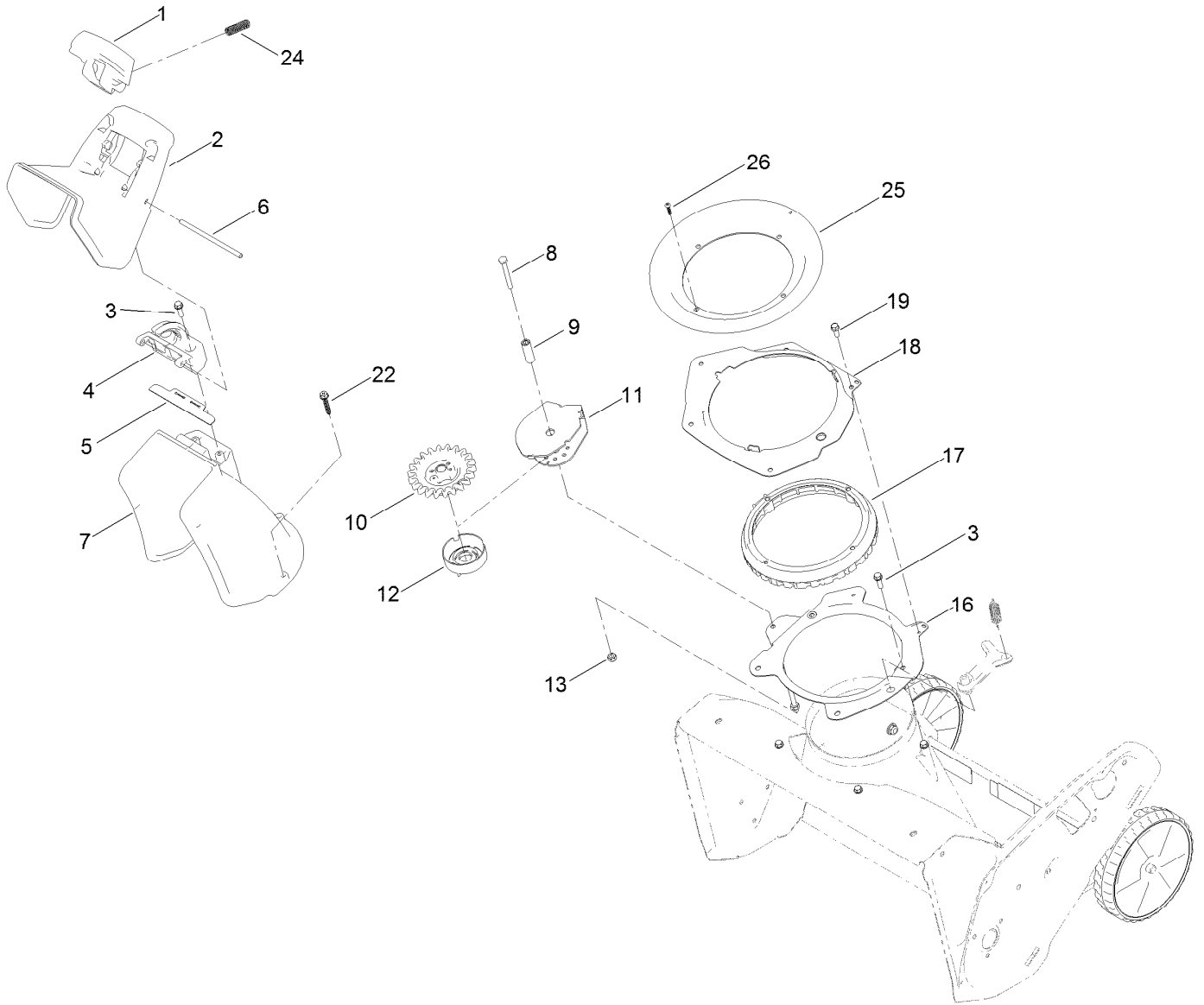
# Shroud and Fuel Tank Assembly



## Shroud and Fuel Tank Assembly (continued)

<i>Ref.</i>	<i>Part Number</i>	<i>Qty.</i>	<i>Description</i>	<i>Ref.</i>	<i>Part Number</i>	<i>Qty.</i>	<i>Description</i>
1	131-6458	1	Cap-Gas	10	3296-9	2	Nut-Hex
2	110-9361	4	Screw-PPH	11	108-4947	2	Clip-Shroud
3	127-5987	1	Shroud ASM	12	117-6046	1	Shroud-Lower
3:1	127-5988	1	Shroud	14	107069	2	Clip
3:2	117-6035	1	Baffle-Exhaust	15	94-4496	1	Screw-PPH
3:3	94-4496	2	Screw-PPH	16	3256-49	1	Washer-Plain
4	46-8092	2	Screw-Plastite	17	117-9100	1	Knob-Choke
5	114-3773	1	Seal-Tank	18	40-5940	1	Switch
6	120-9848	1	Tank-Fuel, Gas	19	44-2750	1	Body-Primer
7	2412-98	2	Clamp-Hose	20	63-8360	1	Key-Ignition
8	109-0660	1	Hose-Fuel	21	117-9106	2	Screw-HWH
9	32144-85	1	Screw-HWH	22	66-7460	1	Bulb-Primer

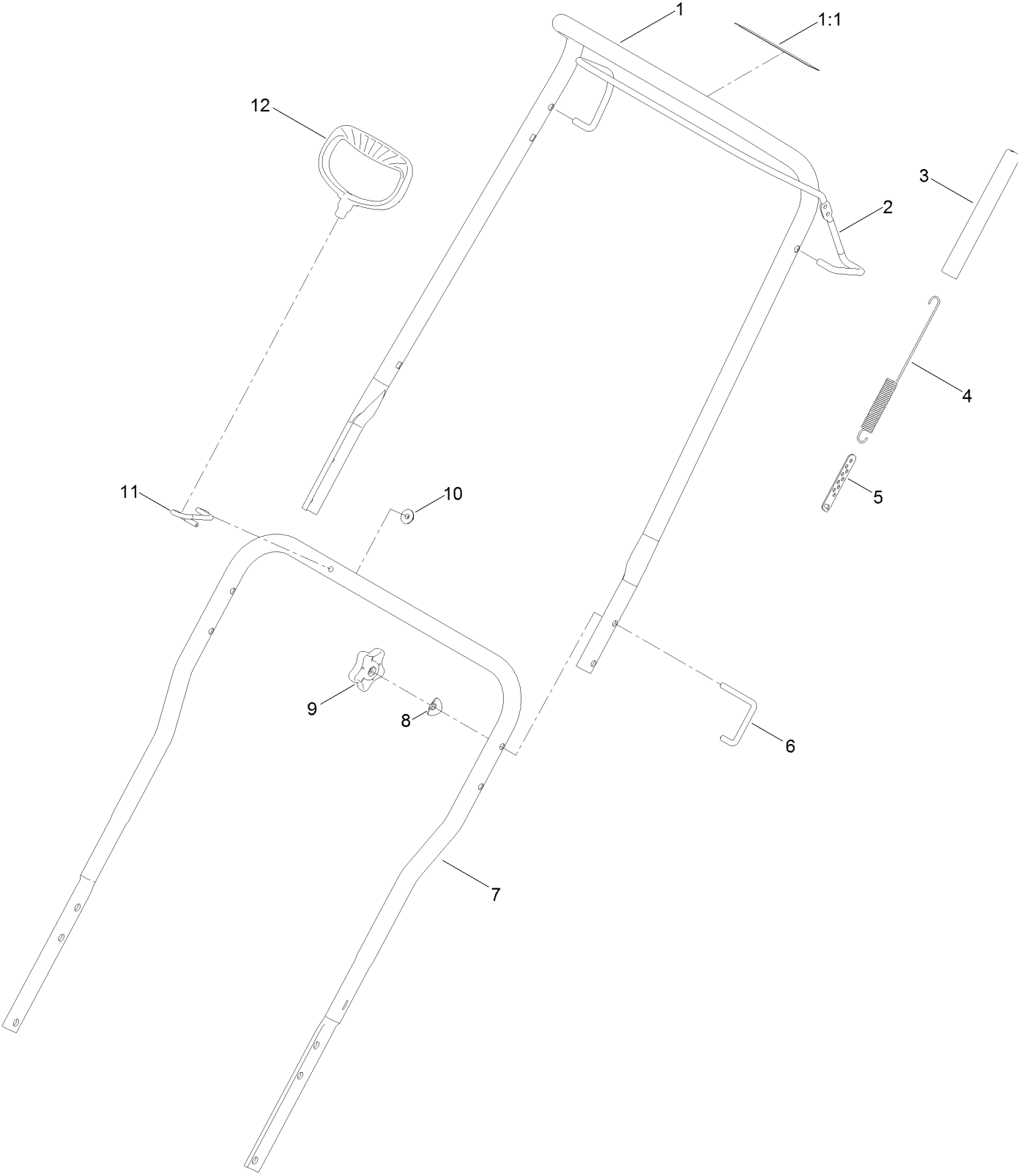
# Chute Control Assembly



## Chute Control Assembly (continued)

<i>Ref.</i>	<i>Part Number</i>	<i>Qty.</i>	<i>Description</i>	<i>Ref.</i>	<i>Part Number</i>	<i>Qty.</i>	<i>Description</i>
1	108-4941	1	Trigger-Deflector	12	114-3792	1	Retainer-Cable
2	117-9121	1	Deflector-Chute, CE	13	3296-42	1	Nut-Lock, NI
3	46-8091	6	Screw-HWH	16	108-4883-03	1	Ring-Support, Chute
4	108-4942	1	Hinge-Ratchet, Deflector	17	108-4882	1	Ring-Chute, Gear
5	114-3790	1	Seal-Deflector	18	108-4874-03	1	Retainer-Ring, Chute
6	136-8672	1	Hinge Pin-Deflector	19	32144-85	2	Screw-HWH
7	108-4939	1	Chute	22	108-4946	3	Screw-Plastite
8	321-18	1	Screw-HH	24	136-7136	2	Spring-Compression
9	108-4877	1	Spacer-Sleeve, Pinion	25	114-3772	1	Seal-Ring, Chute
10	108-4875	1	Pinion-Gear	26	94-4496	1	Screw-PPH
11	108-4900-03	1	Bracket-Pinion				

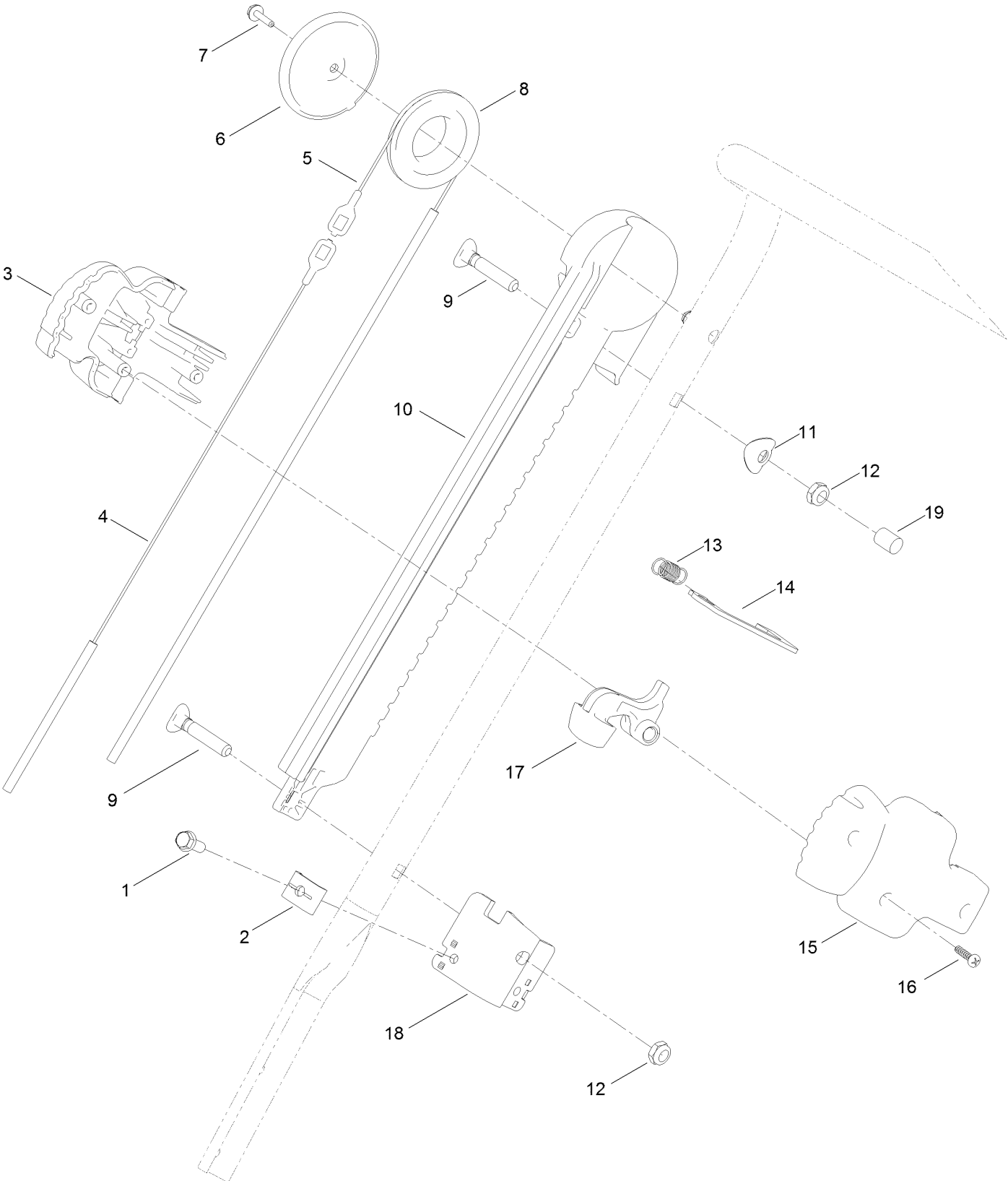
# Upper Handle Control Assembly



## Upper Handle Control Assembly (continued)

<i>Ref.</i>	<i>Part Number</i>	<i>Qty.</i>	<i>Description</i>	<i>Ref.</i>	<i>Part Number</i>	<i>Qty.</i>	<i>Description</i>
1	114-3768	1	Upper Handle ASM	7	127-5956-03	1	Handle-Lower
1:1	94-2577	1	Decal-Drive, Rotor	8	107-3844	2	Washer
2	114-3780-03	1	Bail-Control	9	114-3779	2	Knob-Handle
3	114-3796	1	Cover-Spring	10	114-3778	1	Nut-HF
4	136-7146	1	Spring-Extension, Clutch	11	136-7135	1	Guide-Rope
5	71-5330	1	Adjuster-Cable, Clutch	12	117-9104	1	Handle-Recoil
6	136-7130	2	Lock-Handle				

# Handle Chute Control Assembly





## Handle Chute Control Assembly (continued)

<i>Ref.</i>	<i>Part Number</i>	<i>Qty.</i>	<i>Description</i>	<i>Ref.</i>	<i>Part Number</i>	<i>Qty.</i>	<i>Description</i>
1	32144-85	2	Screw-HWH	11	107-3844	1	Washer
2	136-7191	2	Clamp-Cable	12	3296-47	2	Nut-Lock, NI
3	108-4912	1	Handle-Slider, RH	13	108-4914	1	Spring-Trigger
4	108-4897	1	Cable-Chute, Short	14	136-7131	1	Lock Plate-Chute
5	108-4898	1	Cable-Chute, Long	15	108-4911	1	Handle-Slider, LH
6	108-4931	1	Cover-Pulley	16	94-4496	3	Screw-PPH
7	98-1375	1	Screw-HWH	17	108-4913	1	Trigger
8	108-4907	1	Pulley-Slider	18	136-7132	1	Bracket-Cable
9	107-3018	2	Screw-Handle	19	125-7943	1	Cap-Thread, Screw
10	108-4899	1	Track-Slider				

# Attachments and Accessories

## For 38744 Power Clear 721 QZE Snowthrower

<b>Product Name</b>	<b>Model/Part</b>
High-Altitude Kit.....	127-9037
Engine Maintenance Kit.....	138-0699
Long Life Rotor Blade Kit.....	38205
Paddle Replacement Kit.....	38261
Case of 24 20-Ounce Bottles 5W30 Winter Oil.....	38908
Toro Snow Oil 0W30 Synthetic 20-Ounce Bottle.....	38913
Toro Single Stage Cover.....	490-7464
Plain Single Stage Cover.....	490-7465

**Notes:**



**Count on it.**