



**Count on it.**

**Parts Catalog**

**Power Clear® 721 QZR  
Snowthrower**

Model No. 38743—Serial No. 315000001 and Up



# Ordering Replacement Parts

To order replacement parts, please supply the part number, the quantity, and the description of each part desired.

## Understanding Reference Numbers

Each identified part in an illustration has a reference number. The reference number for a part also appears in the parts list, along with other information about the part.

This catalog uses two special reference number formats, one to indicate parts in a service assembly and another to indicate the quantity of a given part in an illustration.

## Service Assembly Reference Numbers

Parts in service assemblies have reference numbers in the form a:b. The a represents the reference number of the entire service assembly and the b represents a sequential number unique to each part within the service assembly.

For example, a wheel assembly might be identified by reference number 6, the tire by 6:1, the valve by 6:2, and the wheel by 6:3. When you order the assembly identified by reference number 6, you receive all parts identified by reference numbers 6:1, 6:2, and 6:3. However, you may also order any part individually. Reference numbers of this type appear in illustration and in parts lists.

## Reference Numbers Indicating Quantity

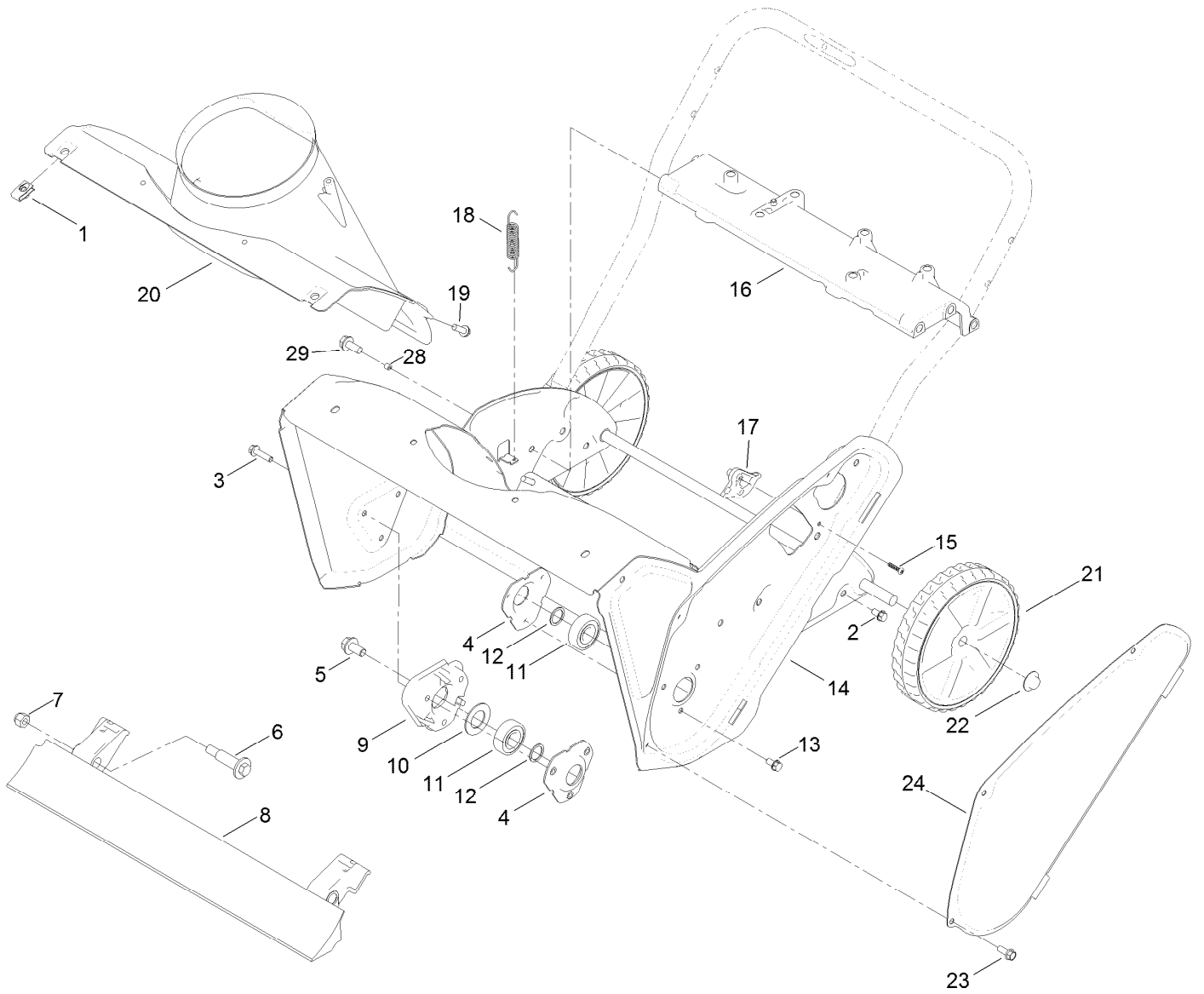
In an illustration, if a reference number indicates more than one part, the reference number has the form nX y. The n represents the quantity of the part, the X is the multiplication symbol, and the y represents the reference number.

For example, in an illustration, the reference number 2X 37 means that two of the parts identified by reference number 37 are indicated.

# Contents

Main Frame, Chute and Wheel Assembly .....	4
Clutch Cable and Belt Drive Assembly.....	6
Rotor Assembly .....	8
Engine Assembly .....	10
Engine Assembly No. 1.....	12
Engine Assembly No. 2.....	14
Engine Assembly No. 3.....	16
Shroud and Fuel Tank Assembly .....	18
Chute Control Assembly .....	20
Upper Handle Control Assembly .....	22
Handle Chute Control Assembly .....	24
Attachments and Accessories .....	26

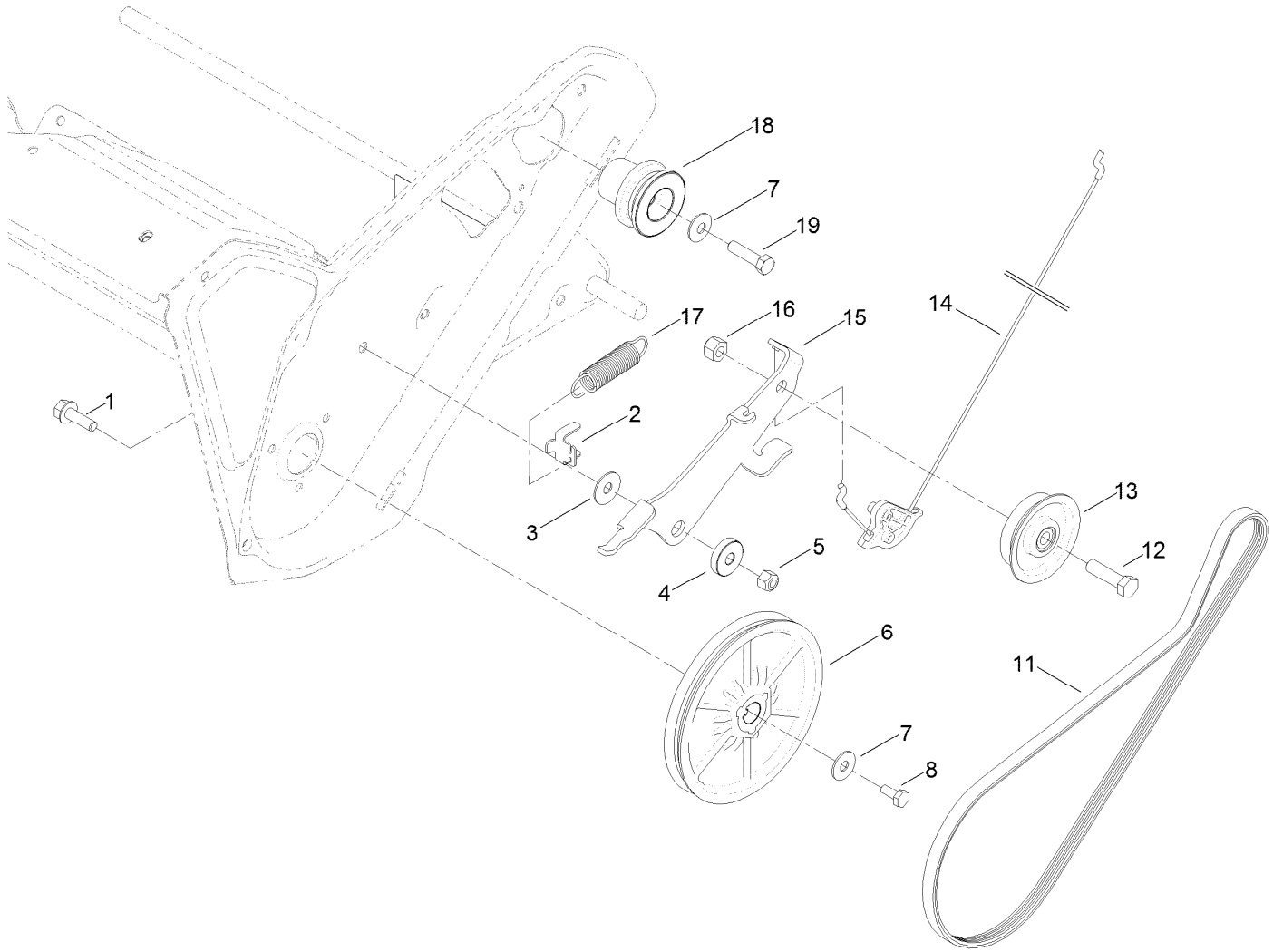
# Main Frame, Chute and Wheel Assembly



## Main Frame, Chute and Wheel Assembly (continued)

<i>Ref.</i>	<i>Part Number</i>	<i>Qty.</i>	<i>Description</i>	<i>Ref.</i>	<i>Part Number</i>	<i>Qty.</i>	<i>Description</i>
1	107069	2	Clip	14	108-4868-03	1	Housing-Auger
2	32144-11	4	Screw-HWHTF	15	94-4496	1	Screw-PPH
3	32144-86	3	Screw-HWHTF	16	108-4905	1	Brace-Frame
4	108-4943	2	Flange-Bearing	17	108-4919	1	Guide-Cable, Clutch
5	110-9380	1	Screw-HWH	18	108-4906	2	Spring-Extension
6	56-6590	2	Bolt-Wheel	19	46-8091	3	Screw-HWH
7	3296-39	2	Nut-Lock, NI	20	108-4871	1	Chute-Lower
8	108-4884	1	Blade-Scraper	21	117-2309	2	Wheel ASM
9	114-3781	1	Spacer-Bearing, RH	22	32112-14	2	Nut-Push
10	110-9353	1	Washer-Rubber	23	32144-85	3	Screw-HWH
11	100-1048	2	Bearing-Ball	24	108-4893-03	1	Cover-Belt
12	52-7280	2	Washer-Thrust	28	1-633545	2	Spacer
13	32144-4	3	Screw-HWH	29	701243	2	Screw-HWHTF

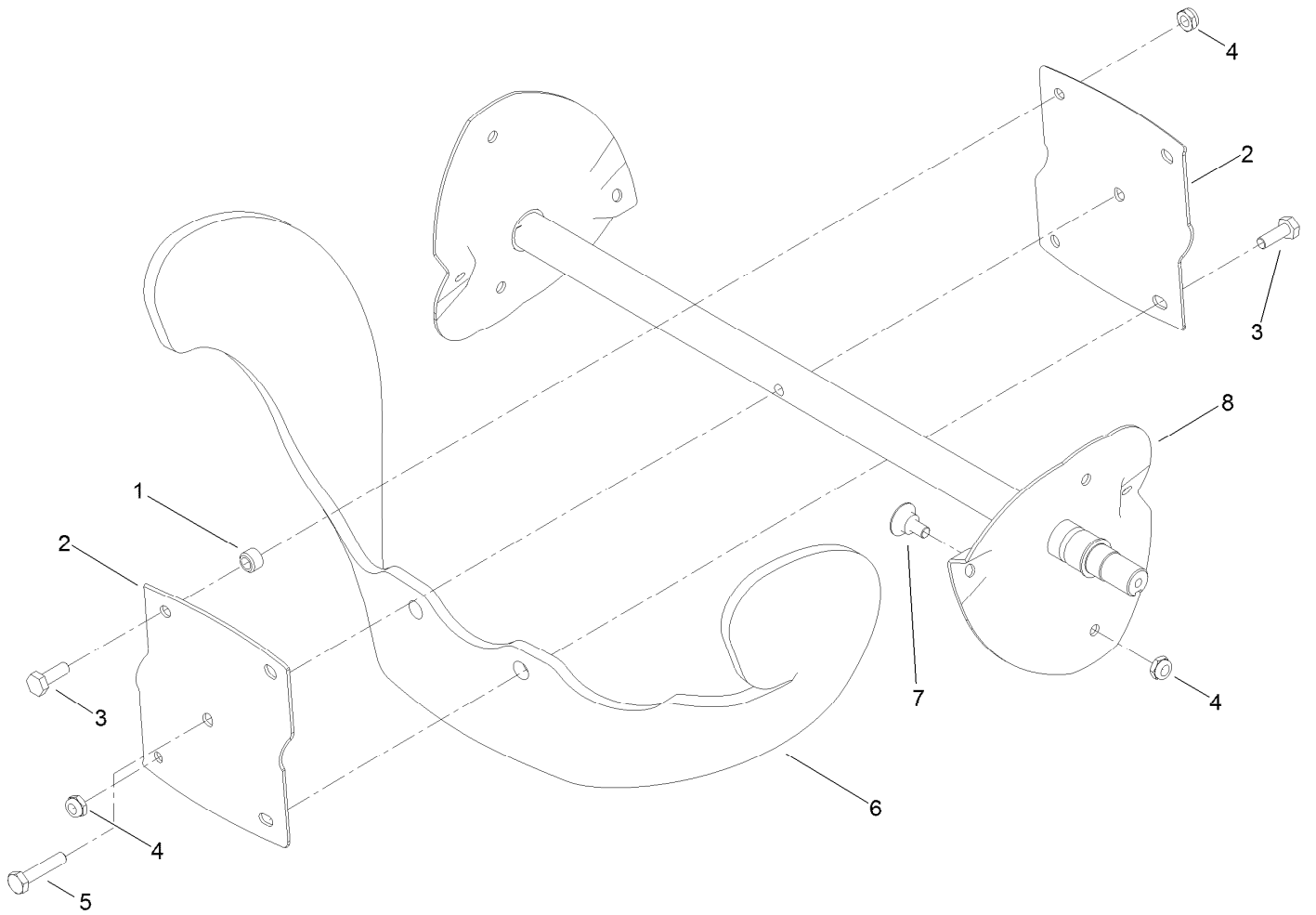
# Clutch Cable and Belt Drive Assembly



## Clutch Cable and Belt Drive Assembly (continued)

<i>Ref.</i>	<i>Part Number</i>	<i>Qty.</i>	<i>Description</i>	<i>Ref.</i>	<i>Part Number</i>	<i>Qty.</i>	<i>Description</i>
1	3234-29	1	Screw-HHF	12	323-29	1	Screw-HH
2	108-4938	1	Clip-Spring, Brake	13	114-3785	1	Pulley-Idler
3	108-4925	1	Washer	14	115-5682	1	Cable-Clutch
4	108-4916	1	Bushing-Pivot	15	114-3782	1	Arm-Idler
5	3296-29	1	Nut-Lock, NI	16	32152-2	1	Nut-Lock, Cone
6	121-6624	1	Pulley	17	121-6630	1	Spring-Extension
7	3290-456	2	Washer-Belleville	18	125-7927	1	Pulley-Engine
8	110-9381	1	Screw-HH	19	121-6646	1	Screw-HH
11	121-6622	1	Belt-Drive				

# Rotor Assembly

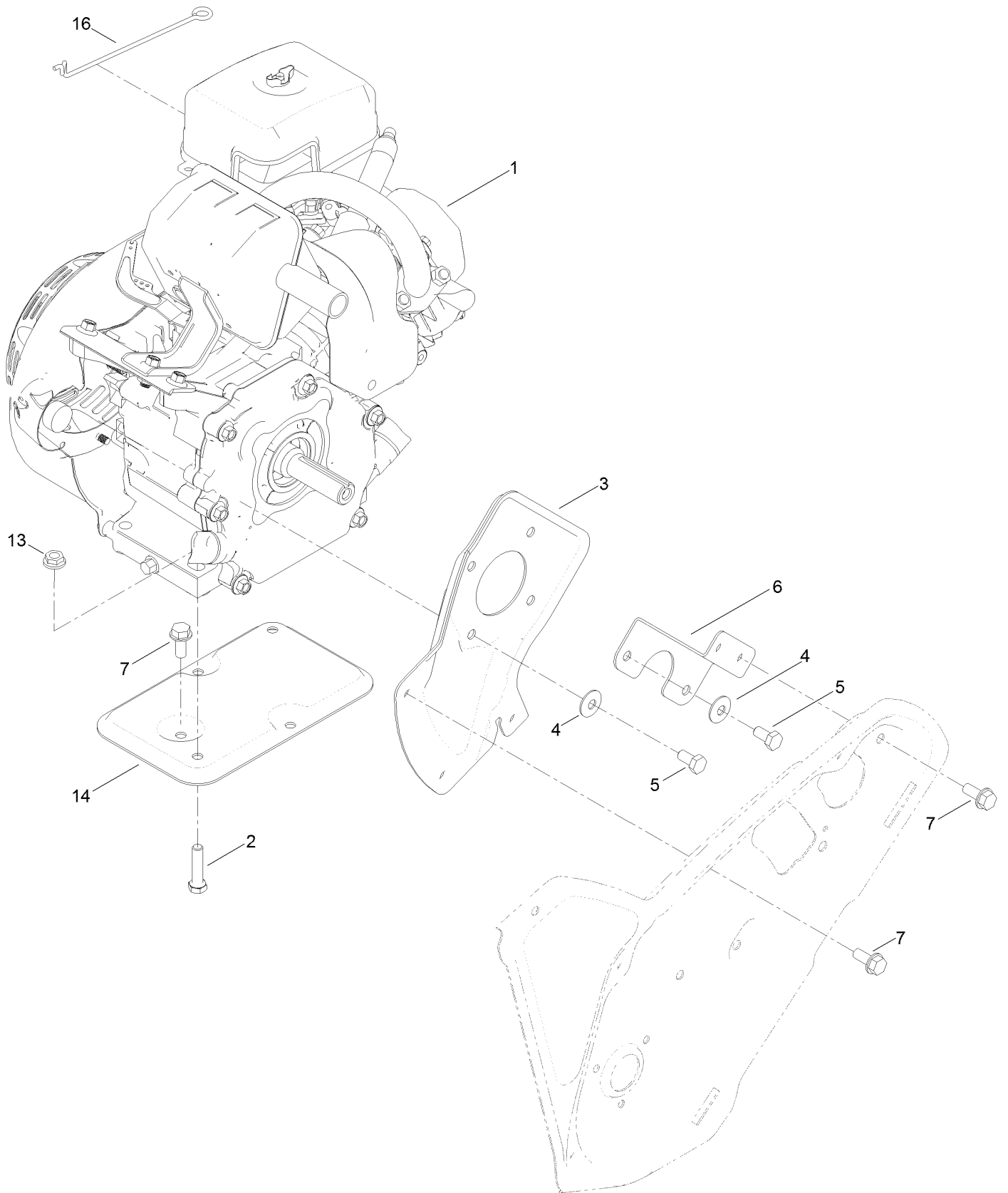




## Rotor Assembly (continued)

<i>Ref.</i>	<i>Part Number</i>	<i>Qty.</i>	<i>Description</i>	<i>Ref.</i>	<i>Part Number</i>	<i>Qty.</i>	<i>Description</i>
1	55-9370	4	Spacer-Blade, Rotor	5	321-8	1	Screw-HH
2	66-6600-03	2	Half-Rotor	6	99-9313	2	Blade-Rotor
3	321-4	4	Screw-HH	7	84-1971	8	Screw
4	3296-56	13	Nut-Lock, NI	8	108-4894-03	1	Rotor

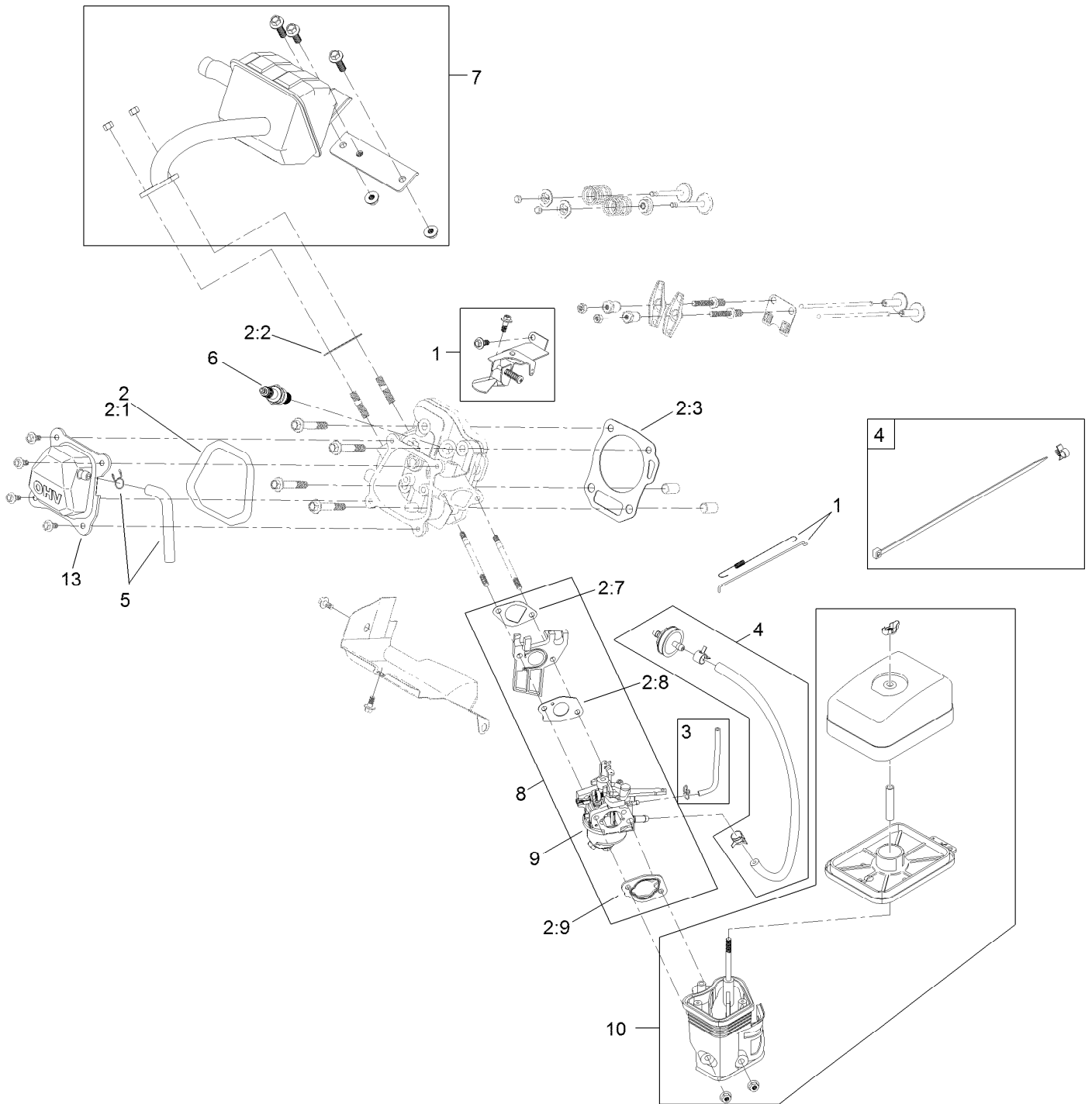
# Engine Assembly



## Engine Assembly (continued)

<i>Ref.</i>	<i>Part Number</i>	<i>Qty.</i>	<i>Description</i>	<i>Ref.</i>	<i>Part Number</i>	<i>Qty.</i>	<i>Description</i>
1	121-4224	1	Engine-170Fs-2	6	110-9354-03	1	Support-Engine, Side
2	322-17	2	Screw-HH	7	32144-11	7	Screw-HWHTF
3	108-4892-03	1	Plate-Engine, PTO	13	32128-20	2	Nut-HF
4	3290-456	4	Washer-Belleville	14	117-6037-03	1	Support-Engine
5	33114-016	4	Screw-HH	16	117-6040	1	Link-Knob, Choke

# Engine Assembly No. 1



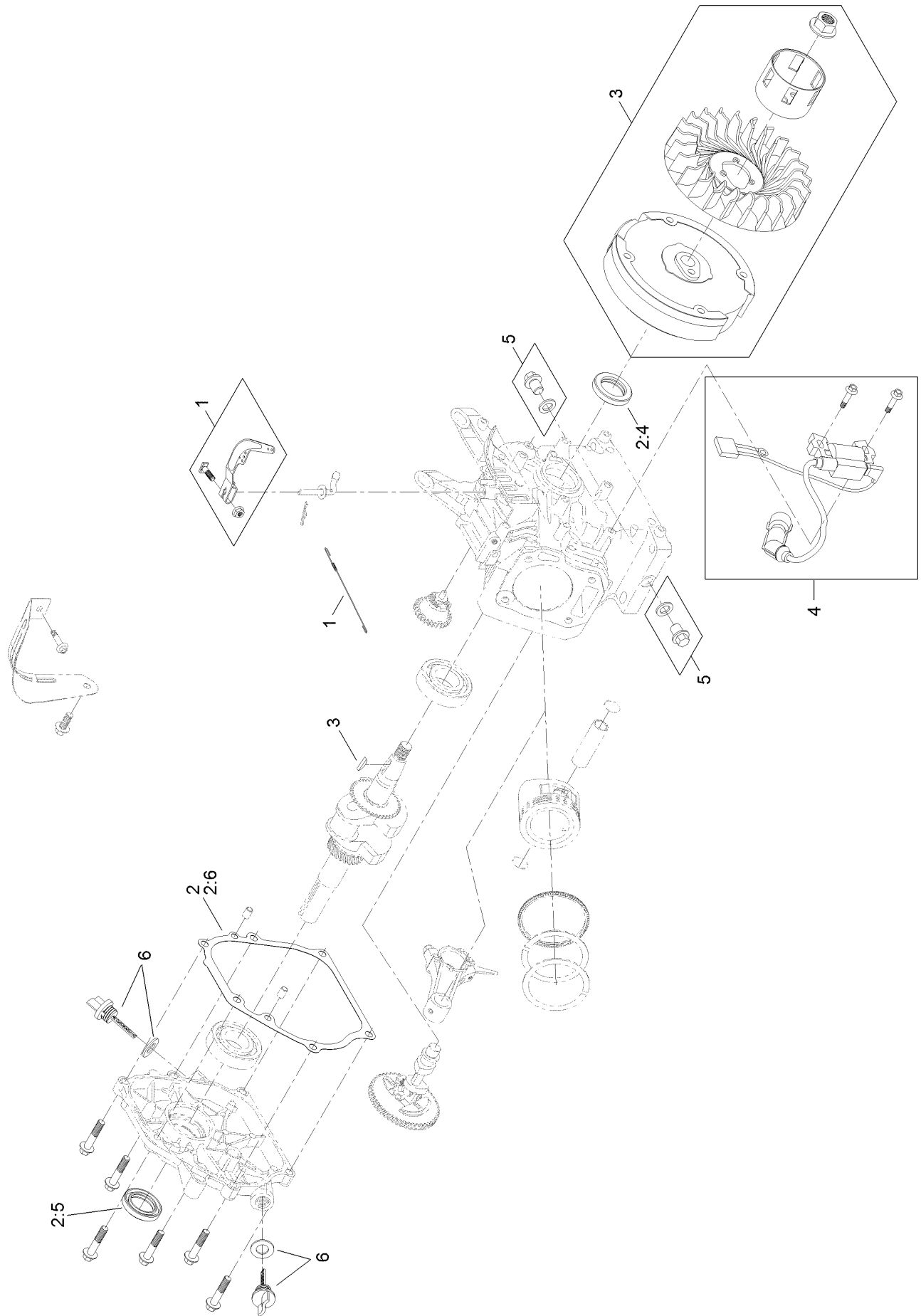
# Engine Assembly No. 1 (continued)

<i>Ref.</i>	<i>Part Number</i>	<i>Qty.</i>	<i>Description</i>	<i>Ref.</i>	<i>Part Number</i>	<i>Qty.</i>	<i>Description</i>
1	119-1957	1	Governor Kit	2:9		1	Gasket-Carburetor ■
2	127-9001	1	Gasket And Seal Kit	3	119-1949	1	Primer Line Kit
2:1	121-0109	1	Gasket-Cover, Valve	4	121-4299	1	Fuel Line Kit
2:2		1	Gasket-Exhaust ■	5	119-1921	1	Breather Tube Kit
2:3		1	Gasket-Head, Cylinder ■	6	119-1901	1	Plug-Spark
2:4		1	Seal-Oil ■ ●	7	121-4297	1	Muffler Kit
2:5		1	Seal-Oil ■	8	127-9008	1	Carburetor Kit
2:6		1	Gasket-Cover, Crankcase ■ ●	9	127-9089	1	Carb Repair Kit With Gaskets
2:7		1	Gasket-Carburetor ■	10	121-4282	1	Heater Box Kit
2:8		1	Gasket-Carburetor ■	13	121-0499	1	Valve Cover ASM

● Not illustrated

■ Not serviced separately

# Engine Assembly No. 2



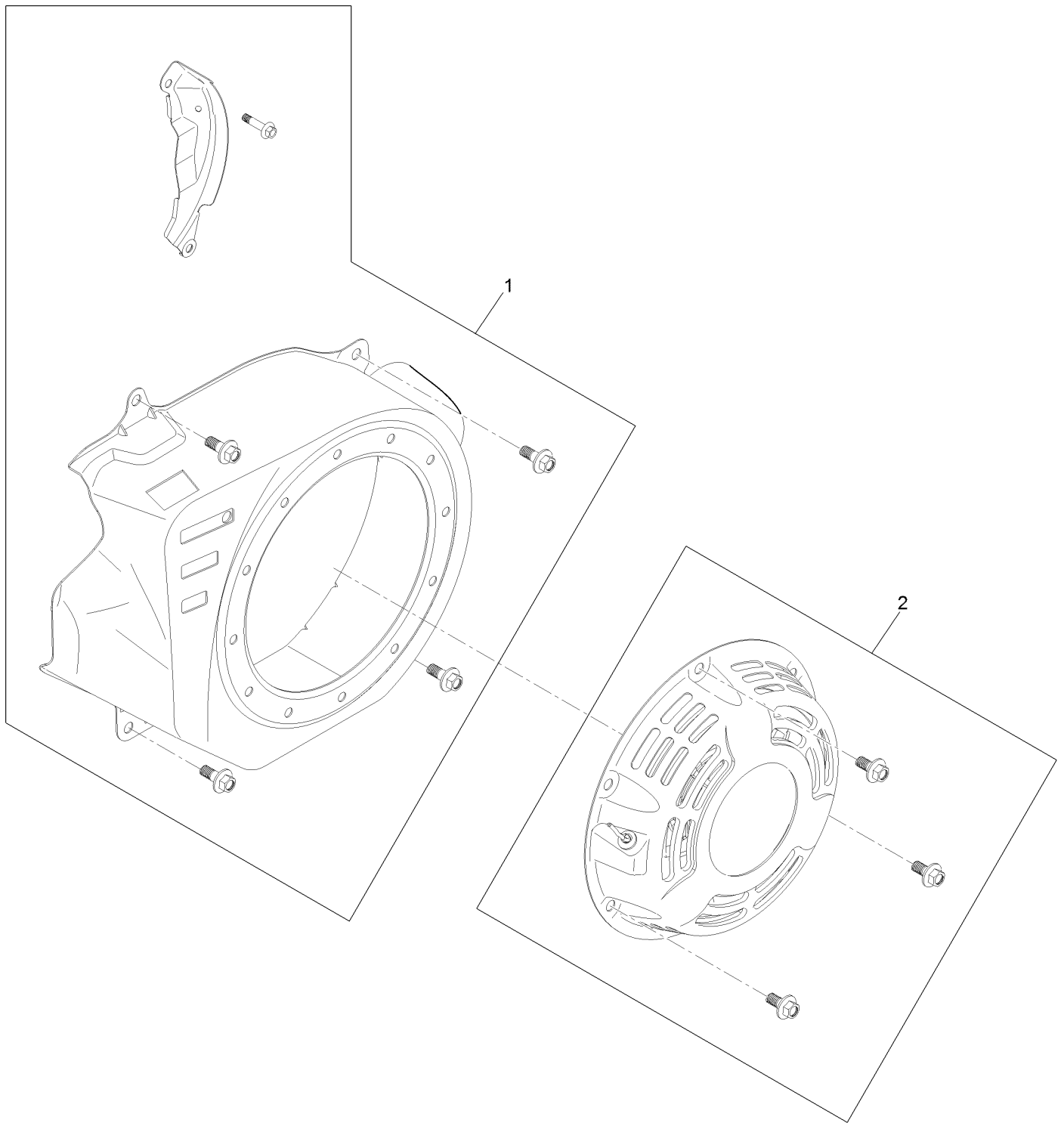
## Engine Assembly No. 2 (continued)

<i>Ref.</i>	<i>Part Number</i>	<i>Qty.</i>	<i>Description</i>	<i>Ref.</i>	<i>Part Number</i>	<i>Qty.</i>	<i>Description</i>
1	119-1957	1	Governor Kit	2:7		1	Gasket-Carburetor ■●
2	127-9001	1	Gasket And Seal Kit	2:8		1	Gasket-Carburetor ■●
2:1	121-0109	1	Gasket-Cover, Valve ●	2:9		1	Gasket-Carburetor ■●
2:2		1	Gasket-Exhaust ■●	3	127-9004	1	Recoil Flywheel Kit
2:3		1	Gasket-Head, Cylinder ■●	4	119-1959	1	Ignition Kit
2:4		1	Seal-Oil ■	5	119-1923	2	Drain Plug Kit
2:5		1	Seal-Oil ■	6	119-1944	2	*obs* Dipstick And O-Ring Kit
2:6		1	Gasket-Cover, Crankcase ■				

● Not illustrated

■ Not serviced separately

# Engine Assembly No. 3

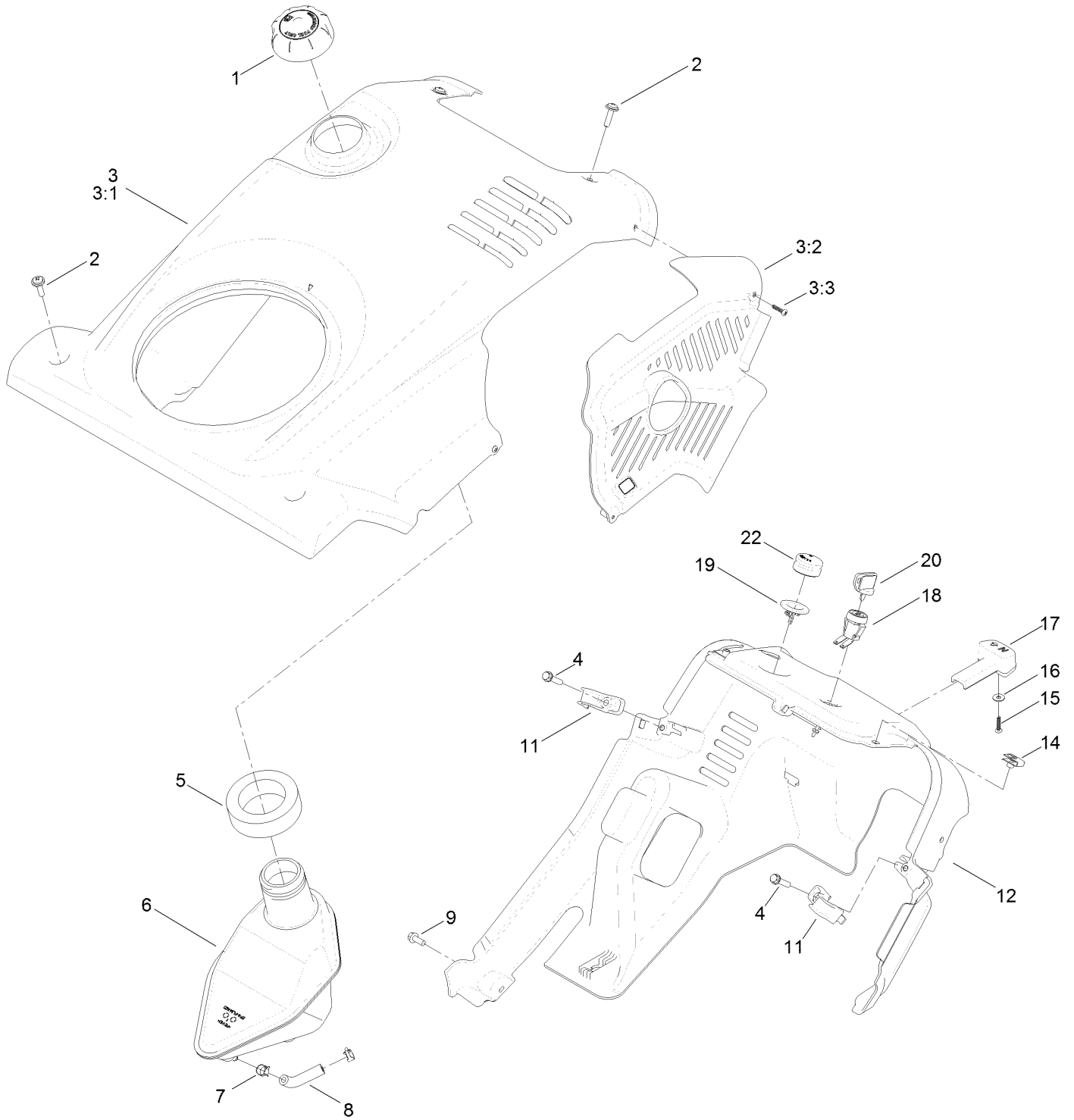




## Engine Assembly No. 3 (continued)

<i>Ref.</i>	<i>Part Number</i>	<i>Qty.</i>	<i>Description</i>
1	127-9010	1	Blower Shroud Kit
2	121-4252	1	Recoil Kit

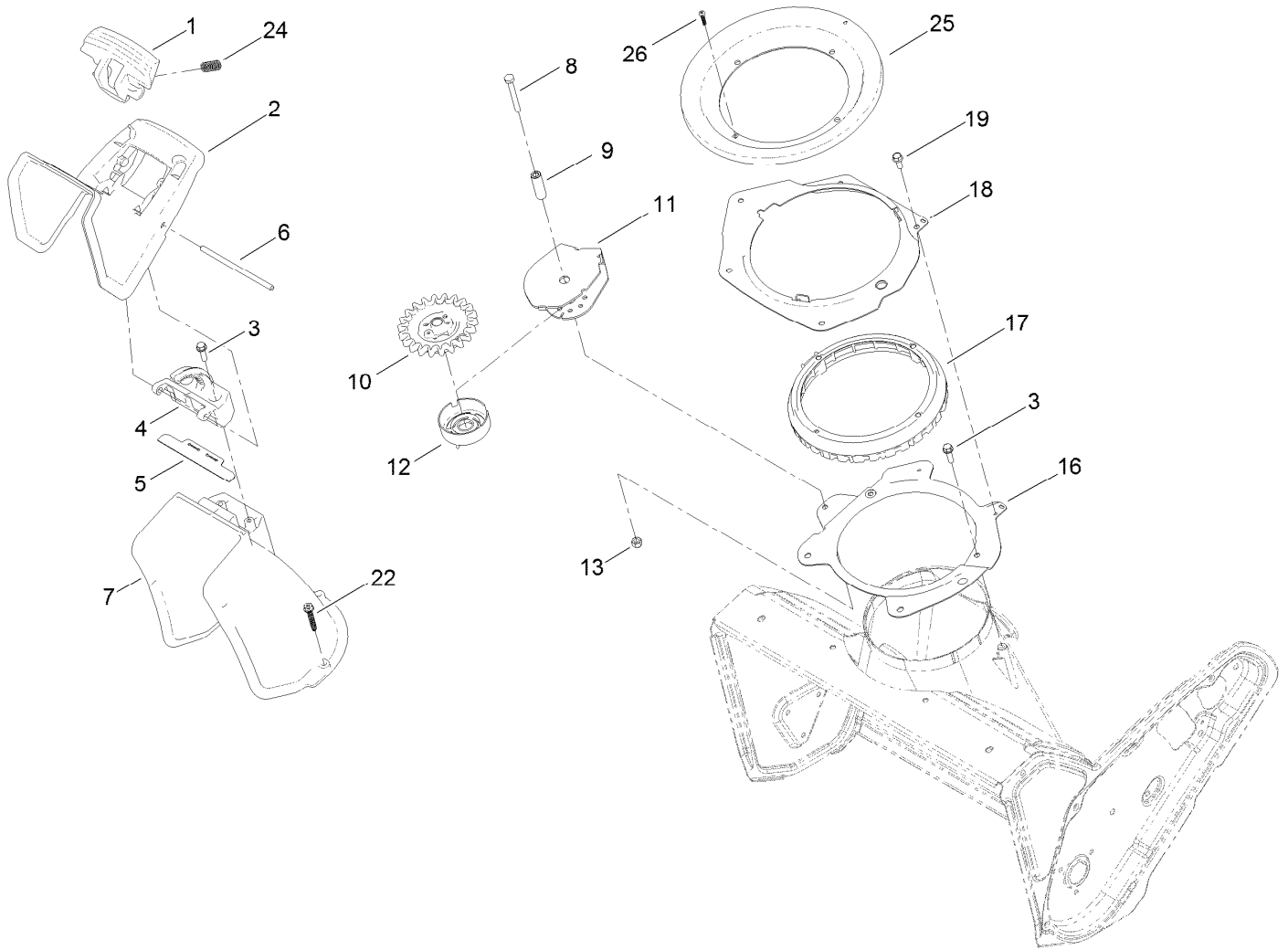
# Shroud and Fuel Tank Assembly



## Shroud and Fuel Tank Assembly (continued)

<i>Ref.</i>	<i>Part Number</i>	<i>Qty.</i>	<i>Description</i>	<i>Ref.</i>	<i>Part Number</i>	<i>Qty.</i>	<i>Description</i>
1	125-7928	1	Cap-Gas	9	32144-85	1	Screw-HWH
2	110-9361	4	Screw-PPH	11	108-4947	2	Clip-Shroud
3	127-5984	1	Shroud ASM	12	117-6036	1	Shroud-Lower
3:1	127-5985	1	Shroud	14	107069	2	Clip
3:2	117-6035	1	Baffle-Exhaust	15	94-4496	1	Screw-PPH
3:3	94-4496	2	Screw-PPH	16	3256-49	1	Washer-Plain
4	46-8092	2	Screw-Plastite	17	117-9100	1	Knob-Choke
5	114-3773	1	Seal-Tank	18	40-5940	1	Switch
6	120-9848	1	Tank-Fuel, Gas	19	44-2750	1	Body-Primer
7	2412-98	2	Clamp-Hose	20	63-8360	1	Key-Ignition
8	109-0660	1	Hose-Fuel	22	66-7460	1	Bulb-Primer

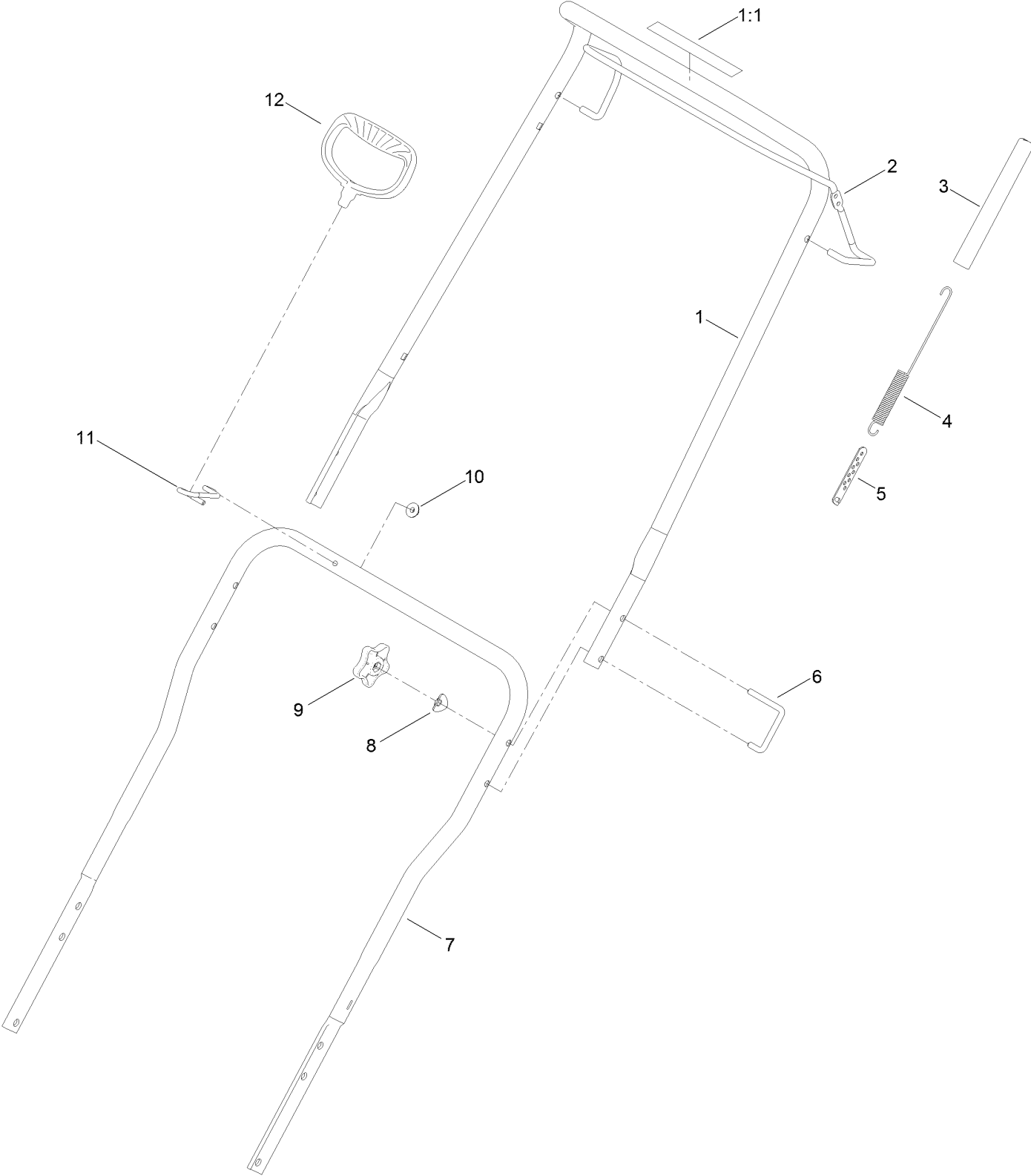
# Chute Control Assembly



## Chute Control Assembly (continued)

<i>Ref.</i>	<i>Part Number</i>	<i>Qty.</i>	<i>Description</i>	<i>Ref.</i>	<i>Part Number</i>	<i>Qty.</i>	<i>Description</i>
1	108-4941	1	Trigger-Deflector	12	114-3792	1	Retainer-Cable
2	117-9121	1	Deflector-Chute, CE	13	3296-42	1	Nut-Lock, NI
3	46-8091	6	Screw-HWH	16	108-4883-03	1	Ring-Support, Chute
4	108-4942	1	Hinge-Ratchet, Deflector	17	108-4882	1	Ring-Chute, Gear
5	114-3790	1	Seal-Deflector	18	108-4874-03	1	Retainer-Ring, Chute
6	110-9368	1	Pin-Hinge, Deflector	19	32144-85	2	Screw-HWH
7	108-4939	1	Chute	22	108-4946	3	Screw-Plastite
8	321-18	1	Screw-HH	24	110-9360	2	Spring-Compression
9	108-4877	1	Spacer-Sleeve, Pinion	25	114-3772	1	Seal-Ring, Chute
10	108-4875	1	Pinion-Gear	26	94-4496	1	Screw-PPH
11	108-4900-03	1	Bracket-Pinion				

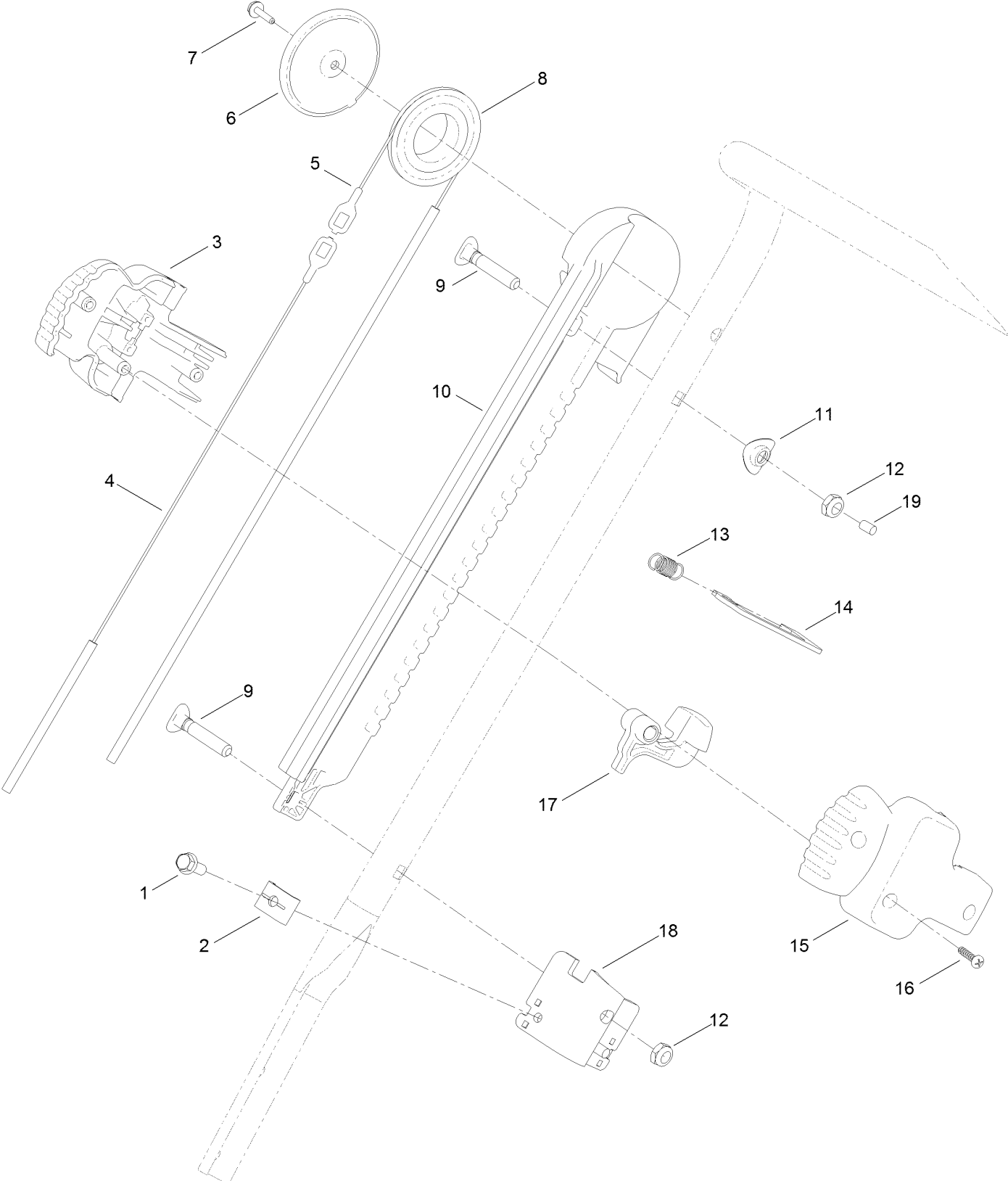
# Upper Handle Control Assembly



## Upper Handle Control Assembly (continued)

<i>Ref.</i>	<i>Part Number</i>	<i>Qty.</i>	<i>Description</i>	<i>Ref.</i>	<i>Part Number</i>	<i>Qty.</i>	<i>Description</i>
1	114-3768	1	Upper Handle ASM	7	127-5956-03	1	Handle-Lower
1:1	94-2577	1	Decal-Drive, Rotor	8	107-3844	2	Washer
2	114-3780-03	1	Bail-Control	9	114-3779	2	Knob-Handle
3	114-3796	1	Cover-Spring	10	114-3778	1	Nut-HF
4	125-1148	1	Spring-Extension, Clutch	11	108-4949	1	Guide-Rope
5	71-5330	1	Adjuster-Cable, Clutch	12	117-9104	1	Handle-Recoil
6	108-4887	2	Lock-Handle				

# Handle Chute Control Assembly





## Handle Chute Control Assembly (continued)

<i>Ref.</i>	<i>Part Number</i>	<i>Qty.</i>	<i>Description</i>	<i>Ref.</i>	<i>Part Number</i>	<i>Qty.</i>	<i>Description</i>
1	32144-85	2	Screw-HWH	11	107-3844	1	Washer
2	106-7297	2	Clamp-Cable	12	3296-47	2	Nut-Lock, NI
3	108-4912	1	Handle-Slider, RH	13	108-4914	1	Spring-Trigger
4	108-4897	1	Cable-Chute, Short	14	108-4908	1	Plate-Lock, Chute
5	108-4898	1	Cable-Chute, Long	15	108-4911	1	Handle-Slider, LH
6	108-4931	1	Cover-Pulley	16	94-4496	3	Screw-PPH
7	98-1375	1	Screw-HWH	17	108-4913	1	Trigger
8	108-4907	1	Pulley-Slider	18	108-4909	1	Bracket-Cable
9	107-3018	2	Screw-Handle	19	125-7943	1	Cap-Thread, Screw
10	108-4899	1	Track-Slider				

# Attachments and Accessories

## For 38743 Power Clear 721 QZR Snowthrower

<b>Product Name</b>	<b>Model/Part</b>
High-Altitude Kit.....	127-9037
Engine Maintenance Kit.....	138-0699
Long Life Rotor Blade Kit.....	38205
Paddle Replacement Kit.....	38261
Case of 24 20-Ounce Bottles 5W30 Winter Oil.....	38908
Toro Snow Oil 0W30 Synthetic 20-Ounce Bottle.....	38913
Toro Single Stage Cover.....	490-7464
Plain Single Stage Cover.....	490-7465

**Notes:**



**Count on it.**