



Count on it.

Parts Catalog

**Power Max® Heavy Duty 928
OHXE Snowthrower**

Model No. 38801—Serial No. 40000000 and Up



Ordering Replacement Parts

To order replacement parts, please supply the part number, the quantity, and the description of each part desired.

Understanding Reference Numbers

Each identified part in an illustration has a reference number. The reference number for a part also appears in the parts list, along with other information about the part.

This catalog uses two special reference number formats, one to indicate parts in a service assembly and another to indicate the quantity of a given part in an illustration.

Service Assembly Reference Numbers

Parts in service assemblies have reference numbers in the form a:b. The a represents the reference number of the entire service assembly and the b represents a sequential number unique to each part within the service assembly.

For example, a wheel assembly might be identified by reference number 6, the tire by 6:1, the valve by 6:2, and the wheel by 6:3. When you order the assembly identified by reference number 6, you receive all parts identified by reference numbers 6:1, 6:2, and 6:3. However, you may also order any part individually. Reference numbers of this type appear in illustration and in parts lists.

Reference Numbers Indicating Quantity

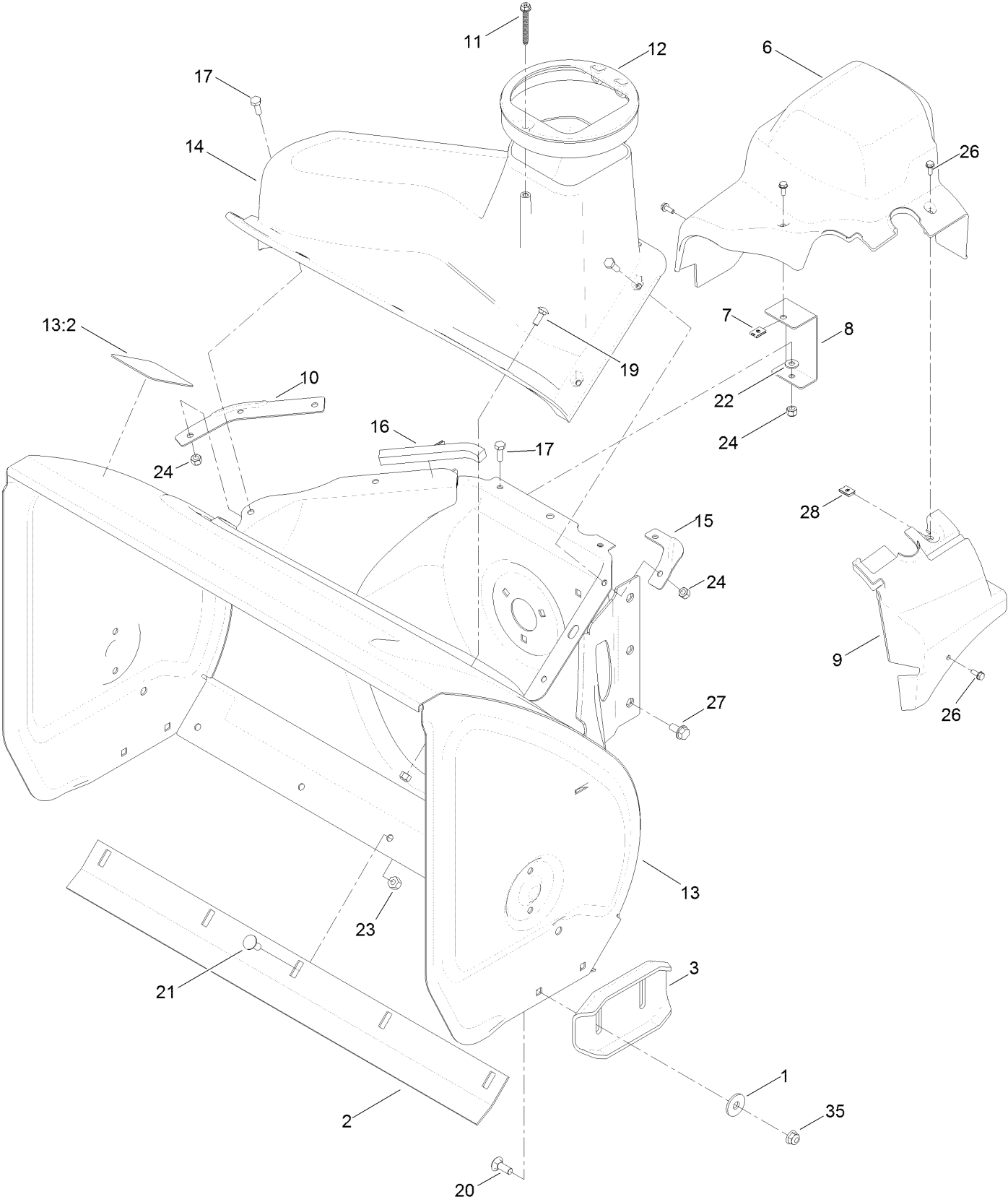
In an illustration, if a reference number indicates more than one part, the reference number has the form nX y. The n represents the quantity of the part, the X is the multiplication symbol, and the y represents the reference number.

For example, in an illustration, the reference number 2X 37 means that two of the parts identified by reference number 37 are indicated.

Contents

Main Frame Assembly	4
Housing Assembly	6
Idler and Linkage Assembly	8
Auger and Impeller Assembly	10
Gear Case Assembly No. 125-7926	12
Impeller Assembly	14
Engine and Pulley Assembly	16
No. 1 Engine Assembly	18
Engine Assembly No. 2	20
Engine Assembly No. 3	22
Engine Decal Assembly	24
Chute Assembly	26
Lever Chute Control Assembly	28
Handle Assembly	30
Control Assembly	32
Wheel Clutch Assembly	34
Wheel Clutch Sprocket Assembly	36
Attachments and Accessories	38

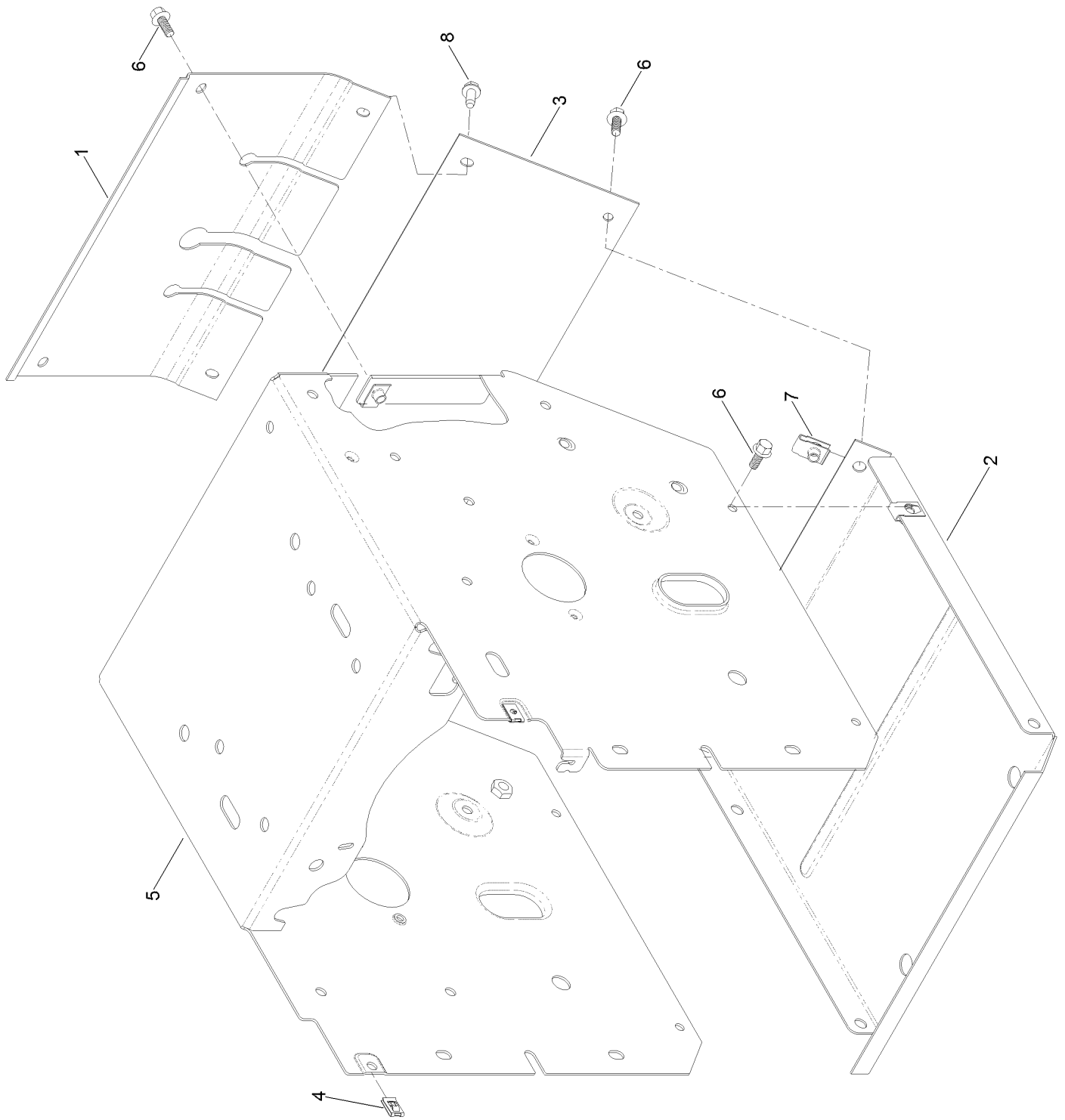
Main Frame Assembly



Main Frame Assembly (continued)

<i>Ref.</i>	<i>Part Number</i>	<i>Qty.</i>	<i>Description</i>	<i>Ref.</i>	<i>Part Number</i>	<i>Qty.</i>	<i>Description</i>
1	52-2861	4	Washer	15	108-0039-03	1	Seal
2	106-4573-01	1	Scraper-Fixed	16	120-0124	1	Seal-Housing
3	106-4588-01	2	Skid	17	321-4	7	Screw-HH
6	119-1563	1	Cover-Belt	19	3229-1	4	Bolt-CARR
7	107-1013	1	Nut-Speed, U-Type	20	3230-16	4	Screw-CARR
8	107-1014-03	1	Bracket-Cover, Clip Nut	21	3230-23	5	Screw-CARR
9	107-1016	1	Cover-Extension, Belt	22	3256-22	1	Washer-Flat
10	107-1017-03	1	Seal-Flange, Cover	23	3296-29	5	Nut-Lock, NI
11	114-3751	1	Screw-HWH, Plastite	24	3296-42	11	Nut-Lock, NI
12	107-3006	1	Guide-Chute	26	32144-112	4	Screw-HWH
13	107-3824	1	Housing-Auger, 28 Inch	27	32144-14	6	Screw-HWHTF
13:2	107-3040	1	Decal-Danger, Auger	28	701493	1	Nut-Speed
14	108-0017	1	Cover	35	104-8300	4	Nut-HF, NI

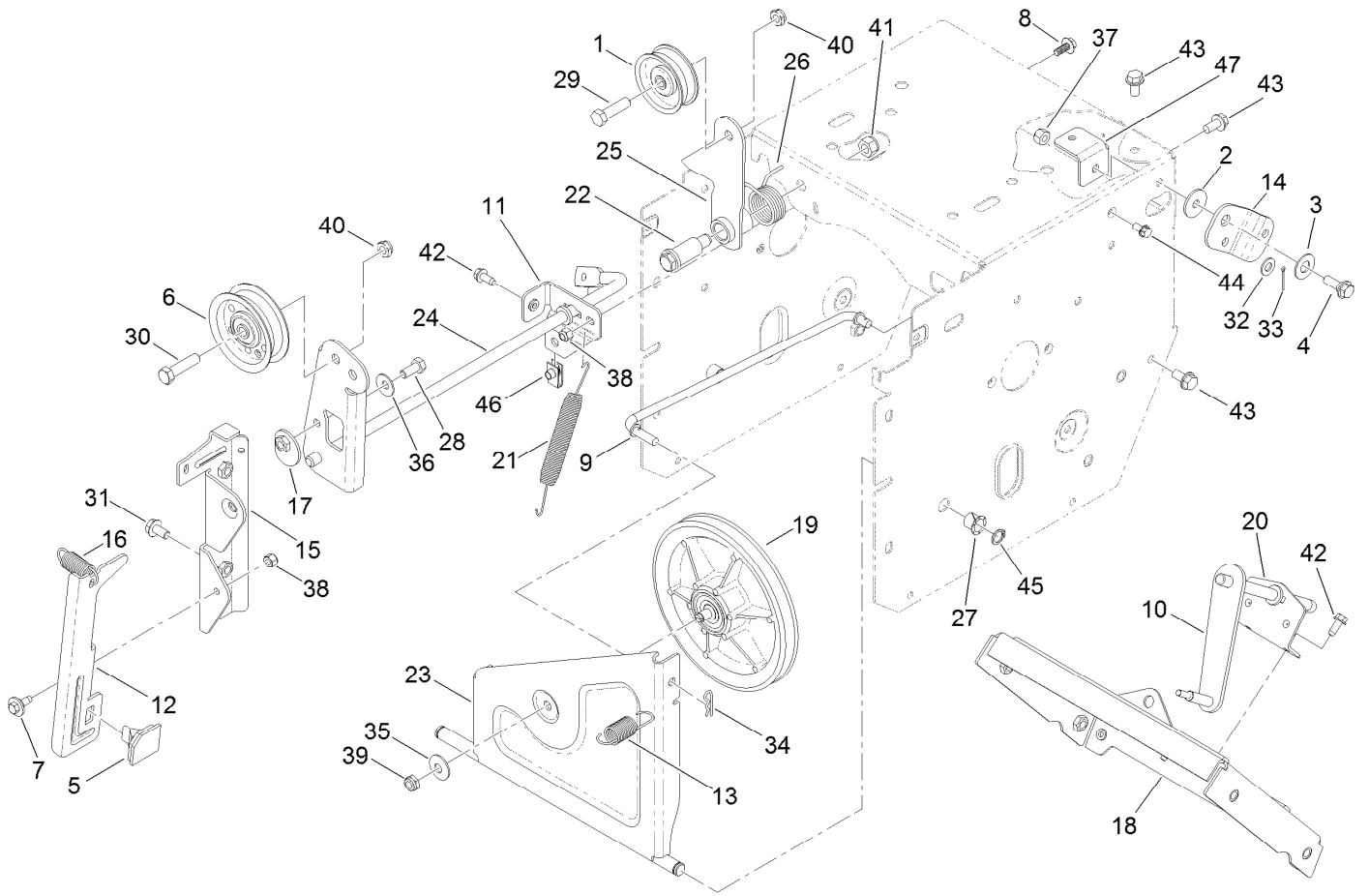
Housing Assembly



Housing Assembly (continued)

<i>Ref.</i>	<i>Part Number</i>	<i>Qty.</i>	<i>Description</i>	<i>Ref.</i>	<i>Part Number</i>	<i>Qty.</i>	<i>Description</i>
1	108-0022-01	1	Cover-Upper	5	120-9832-01	1	Frame-Traction
2	106-7330-01	1	Pan-Bottom	6	99-6810	8	Screw-HHF
3	106-7345-01	1	Cover-Lower	7	107069	7	Clip
4	107-1013	2	Nut-Speed, U-Type	8	32144-10	2	Screw-HWH

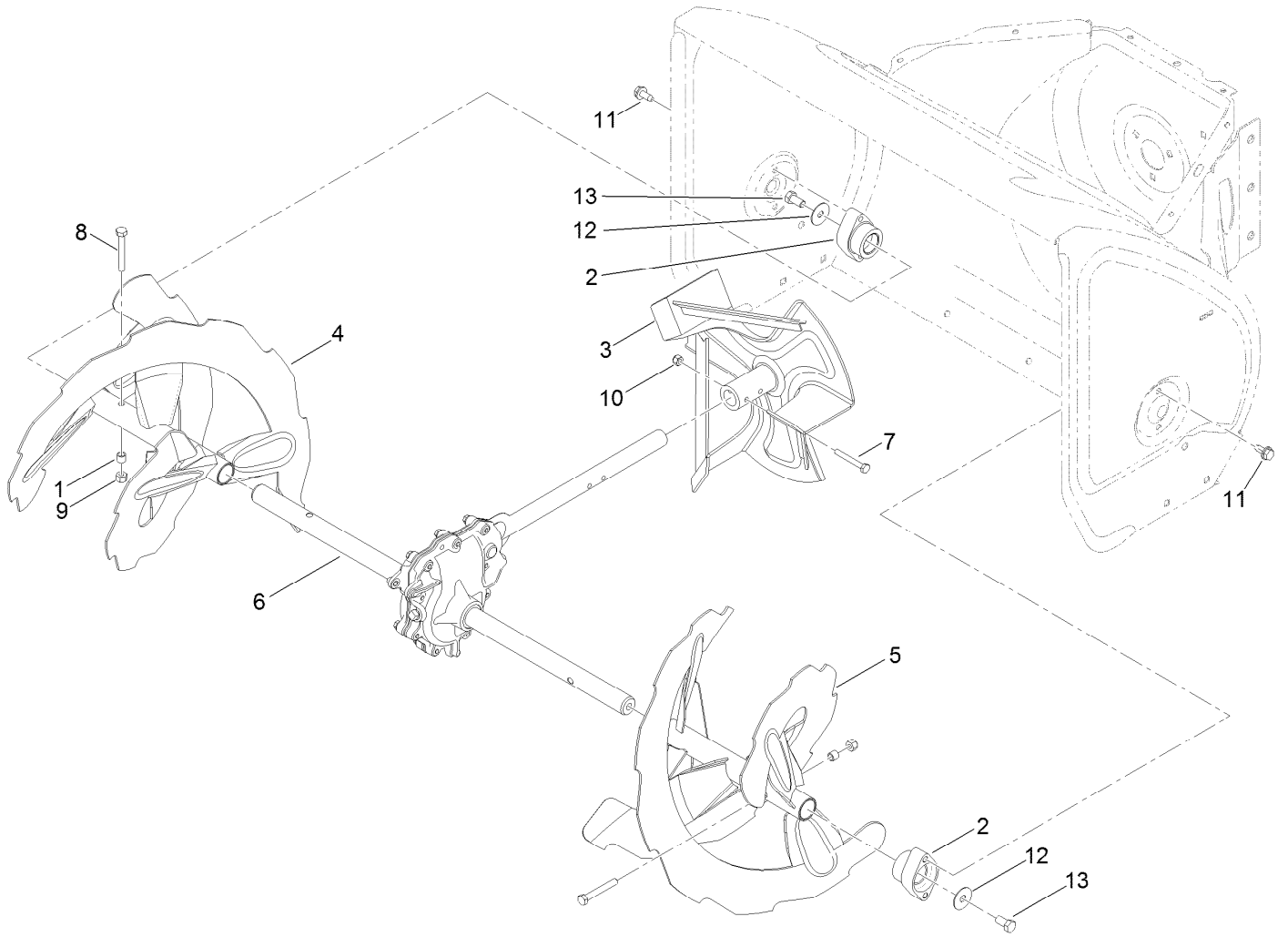
Idler and Linkage Assembly



Idler and Linkage Assembly (continued)

<i>Ref.</i>	<i>Part Number</i>	<i>Qty.</i>	<i>Description</i>	<i>Ref.</i>	<i>Part Number</i>	<i>Qty.</i>	<i>Description</i>
1	3-4244	1	Pulley-Idler	25	120-0148	1	Traction Idler Arm
2	5-4460	1	Washer-Pivot	26	120-3060	1	Spring-Torsion
3	25-5640	1	Washer	27	256-257	2	Bushing-Nyliner
4	27-0410	1	Screw-Shoulder	28	322-3	1	Screw-HH
5	66-8060	1	Pad-Brake	29	323-29	1	Screw-HH
6	92-7104	1	Pulley-Idler	30	323-8	1	Screw-HH
7	92-9698	1	Screw-Shoulder	31	3234-7	2	Screw-HHF
8	99-6810	1	Screw-HHF	32	3256-23	1	Washer-Plain
9	106-4467	1	Link-Control, Speed	33	3272-4	1	Pin-Cotter
10	106-7268	1	Lever-Control, Traction	34	3290-307	1	Pin-Cotter
11	120-9824	1	Bracket-Clutch, Impeller	35	3290-340	1	Washer-Belleville
12	107-1000	1	Arm-Brake	36	3290-456	1	Washer-Belleville
13	107-1003	1	Spring-Extension	37	3296-29	1	Nut-Lock, NI
14	107-1011	1	Bellcrank-Drive	38	3296-42	2	Nut-Lock, NI
15	107-1039	1	Bracket-Idler, Impeller	39	3296-5	1	Nut-Hex
16	107-1045	1	Spring-Extension	40	3296-59	2	Nut-Lock, NI
17	107-1047	1	Nut	41	3296-76	1	Nut-Lock, NI
18	108-0026-01	1	Shift Plate ASM	42	32144-10	3	Screw-HWH
19	108-0031	1	Pulley-Traction	43	32144-14	6	Screw-HWHTF
20	108-0036	1	Bracket-Rod, Shift	44	32144-4	1	Screw-HWH
21	108-2976	1	Spring-Extension	45	32151-61	2	Ring-Retaining
22	108-5056	1	Bolt-Shoulder	46	107069	1	Clip
23	108-7307	1	Bracket-Wheel, Friction	47	125-1124	1	Bracket-Frame, LH
24	120-0144-03	1	Impeller Clutch ASM				

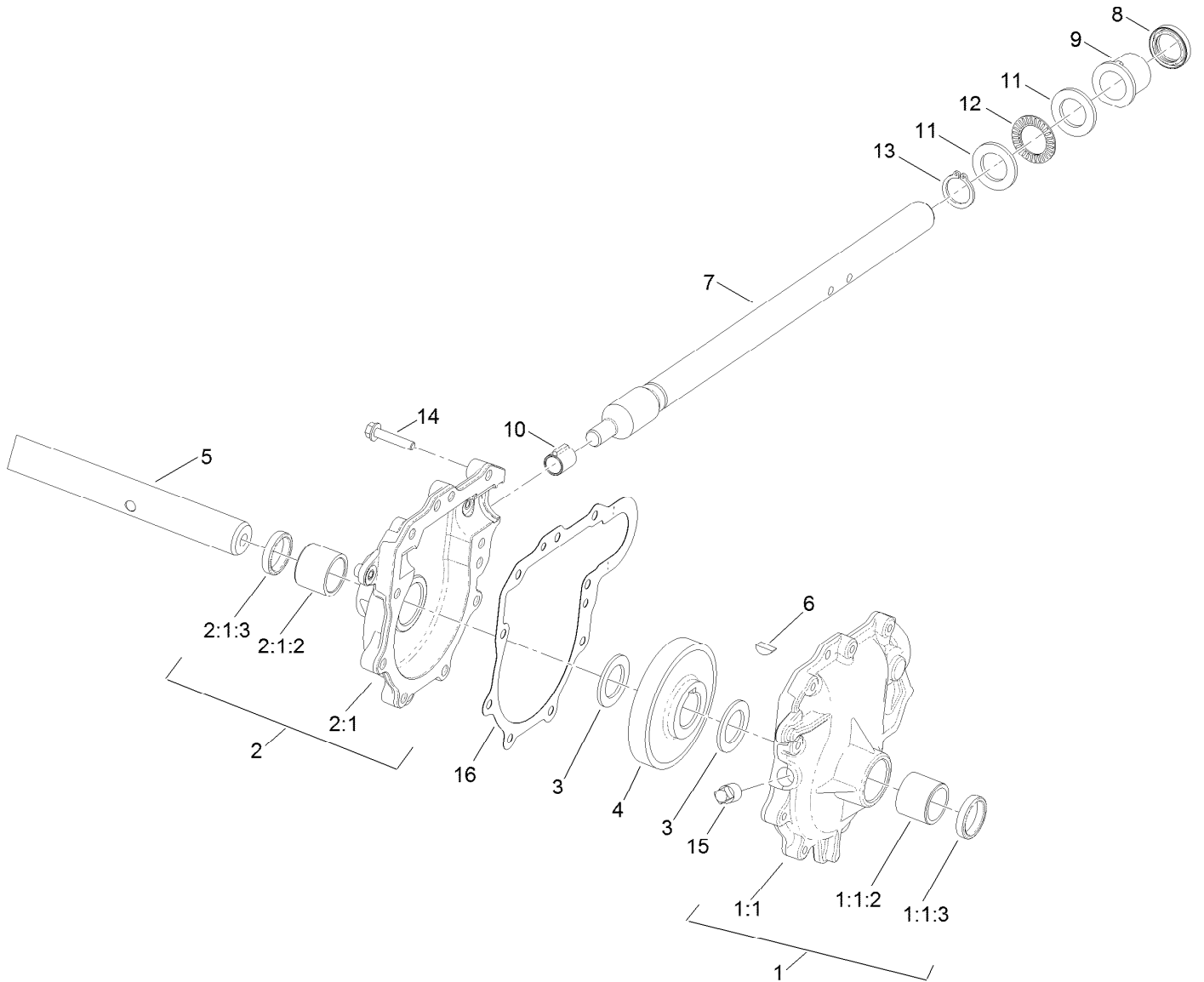
Auger and Impeller Assembly



Auger and Impeller Assembly (continued)

<i>Ref.</i>	<i>Part Number</i>	<i>Qty.</i>	<i>Description</i>	<i>Ref.</i>	<i>Part Number</i>	<i>Qty.</i>	<i>Description</i>
1	1-633545	2	Spacer	7	321-11	2	Screw-HH
2	106-4570	2	Bearing-Auger	8	322-11	2	Screw-HH
3	106-4576-03	1	Impeller ASM	9	3296-29	2	Nut-Lock, NI
4	106-7291-03	1	RH Auger ASM	10	3296-42	2	Nut-Lock, NI
5	106-7301-03	1	LH Auger ASM	11	32144-70	4	Screw-HWHTF
6	125-7926	1	28 Inch Auger Gearcase ASM	12	3-0750	2	Washer
				13	323-4	2	Screw-HH

Gear Case Assembly No. 125-7926

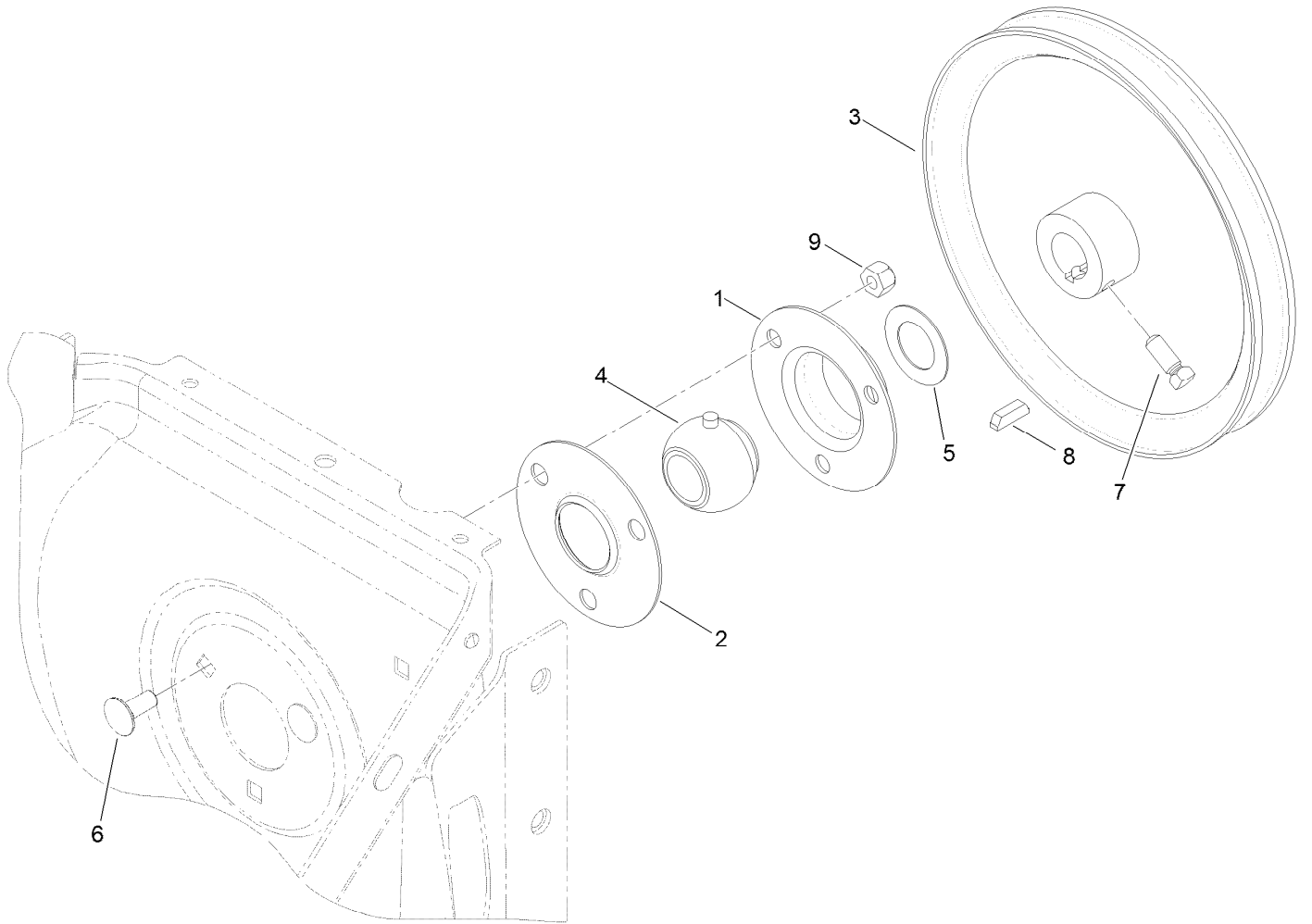


Gear Case Assembly No. 125-7926 (continued)

<i>Ref.</i>	<i>Part Number</i>	<i>Qty.</i>	<i>Description</i>	<i>Ref.</i>	<i>Part Number</i>	<i>Qty.</i>	<i>Description</i>
1	108-7325	1	LH Auger Gearcase ASM	6	3257-10	1	Key-Woodruff
1:1		1	Gearcase-Auger, LH ●	7	66-7811	1	Shaft-Impeller
1:1:2	112-6635	1	Bushing-Sleeve	8	253-149	1	Seal-Oil
1:1:3	7-0045	1	Seal-Oil	9	37-6560	1	Bushing-Input
2	108-7327	1	RH Auger Gearcase ASM	10	62-1150	1	Bushing-Worm
2:1		1	Gearcase-Auger, RH ●	11	252-78	2	Washer-Thrust
2:1:2	112-6635	1	Bushing-Sleeve	12	252-76	1	Bearing-Thrust
2:1:3	7-0045	1	Seal-Oil	13	32151-33	1	Ring-Retaining, Ext
3	252-71	2	Washer-Thrust	14	108-4862	9	Screw-HWHTF
4	62-0120	1	Gear-Helical	15	121-6832	1	Plug-Pipe, SQH
5	106-4421	1	Shaft-Auger	16	108-7330	1	Gasket-Gearcase, Auger

● Not serviced separately

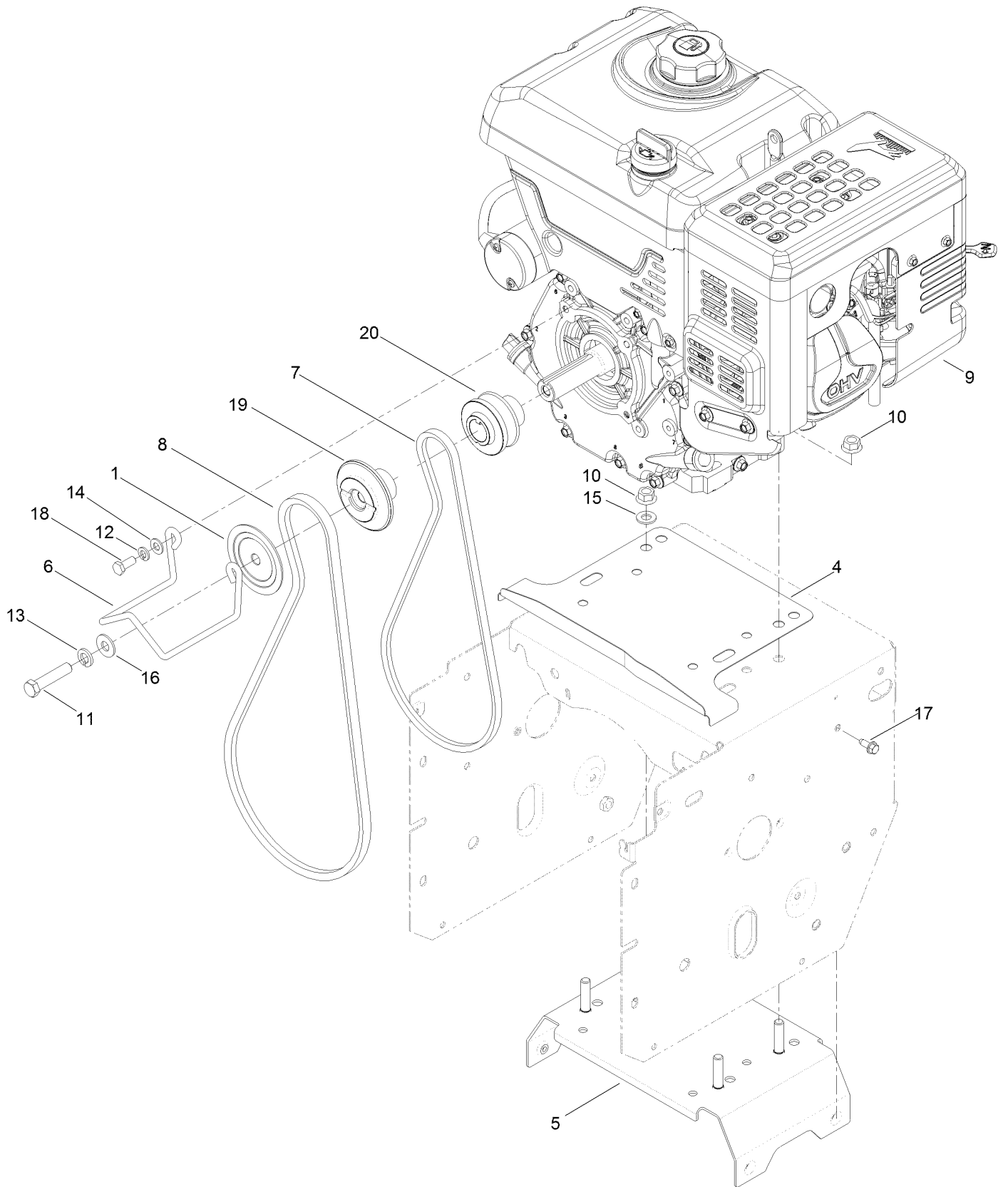
Impeller Assembly



Impeller Assembly (continued)

<i>Ref.</i>	<i>Part Number</i>	<i>Qty.</i>	<i>Description</i>	<i>Ref.</i>	<i>Part Number</i>	<i>Qty.</i>	<i>Description</i>
1	26-6110	1	Flange-Cup, Bearing	6	3230-23	3	Screw-CARR
2	26-6120	1	Flange-Cup, Bearing	7	1-803050	2	Screw-Set
3	62-1300	1	Pulley-Impeller	8	3257-23	1	Key-Woodruff
4	63-3450	1	Bearing-Ball	9	3296-29	3	Nut-Lock, NI
5	110-6767	1	Washer-Thrust				

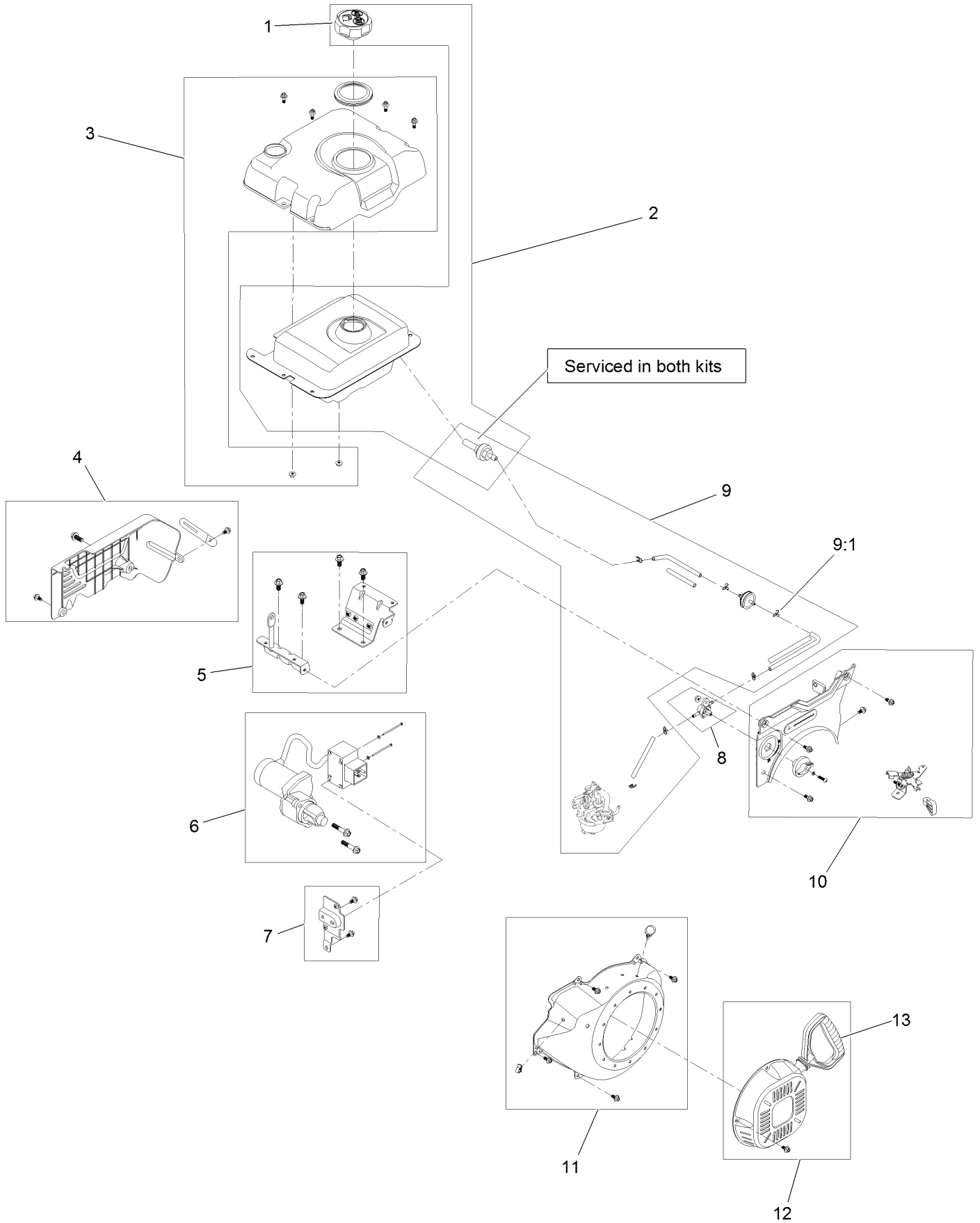
Engine and Pulley Assembly



Engine and Pulley Assembly (continued)

<i>Ref.</i>	<i>Part Number</i>	<i>Qty.</i>	<i>Description</i>	<i>Ref.</i>	<i>Part Number</i>	<i>Qty.</i>	<i>Description</i>
1	62-0940	1	Sheave-Half, Impeller	12	3253-4	2	Washer-Lock
4	117-6022-01	1	Shield-Drive	13	3253-6	1	Washer-Lock
5	119-1560	1	Frame Brace ASM	14	3256-23	2	Washer-Plain
6	119-1562	1	Guide-Belt	15	3256-24	1	Washer-Flat
7	119-1564	1	Belt-V	16	3256-4	1	Washer-Flat
8	125-1145	1	Belt-V	17	32144-10	4	Screw-HWH
9	120-4423	1	Engine-175Fds-1	18	33114-020	2	Screw-HH
10	120-3067	4	Nut-Flange	19	121-6602	1	Pulley-Engine, Impeller
11	3212-8	1	Screw-HH	20	121-6617	1	Pulley-Traction

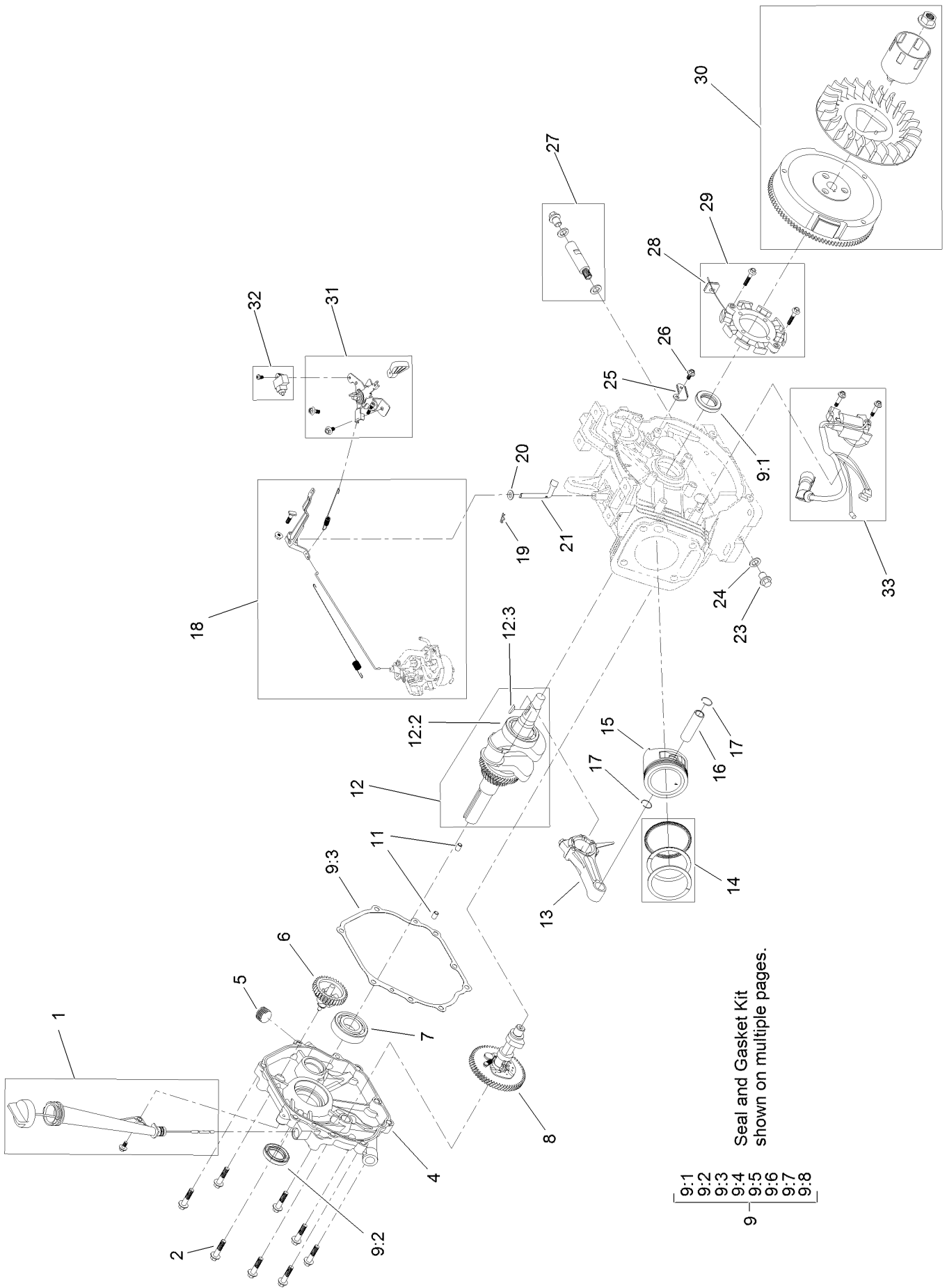
No. 1 Engine Assembly



No. 1 Engine Assembly (continued)

<i>Ref.</i>	<i>Part Number</i>	<i>Qty.</i>	<i>Description</i>	<i>Ref.</i>	<i>Part Number</i>	<i>Qty.</i>	<i>Description</i>
1	133-9823	1	Cap-Fuel	8	121-4109	1	Fuel Shut-Off Valve Kit
2	121-0414	1	Fuel Tank And Cap Kit	9	121-0353	1	Complete Fuel Line Kit
3	121-0349	1	Fuel Tank Cover Kit	9:1	121-0087	6	Clamp-Hose
4	121-0347	1	Rear Panel And Hardware Kit	10	121-4105	1	Front Panel Kit
5	121-0351	1	Tank Mount Bracket Kit	11	121-0274	1	Recoil Shroud Kit
6	133-1592	1	Starter Kit	12	121-0342	1	Recoil Kit
7	121-4103	1	Switch Box Bracket Kit	13	121-0287	1	Handle-Recoil

Engine Assembly No. 2



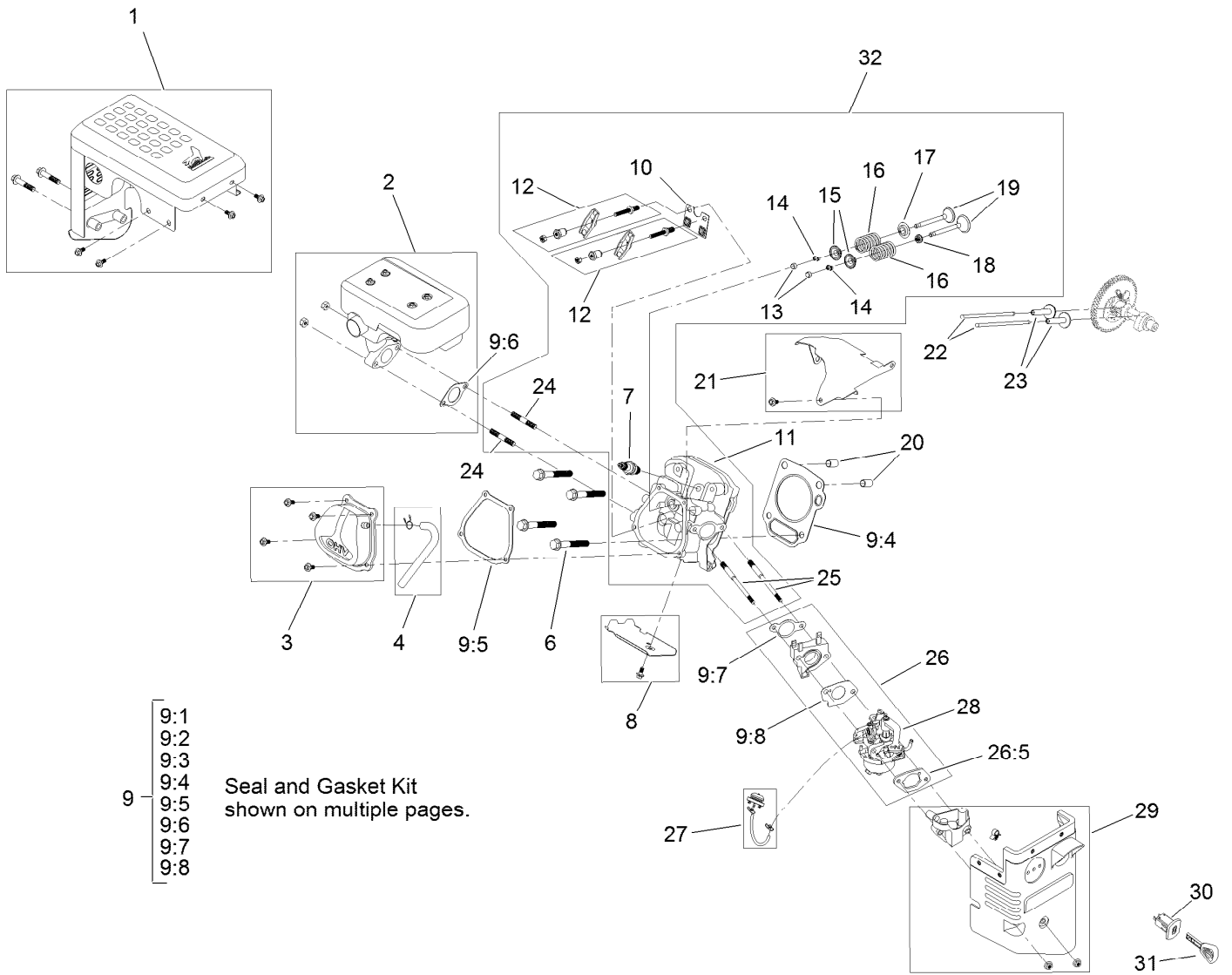
Seal and Gasket Kit shown on multiple pages.

- 9:1
- 9:2
- 9:3
- 9:4
- 9:5
- 9:6
- 9:7
- 9:8

Engine Assembly No. 2 (continued)

<i>Ref.</i>	<i>Part Number</i>	<i>Qty.</i>	<i>Description</i>	<i>Ref.</i>	<i>Part Number</i>	<i>Qty.</i>	<i>Description</i>
1	133-9854	1	Oil Fill Kit	13	121-0240	1	Connecting Rod ASM
2	121-0299	8	Screw-HHF	14	121-0239	1	Set-Ring, Piston
4	133-9856	1	Cover-Crankcase	15	121-0236	1	Piston
5	133-9805	1	Plug-Drain	16	121-0237	1	Pin-Piston
6	121-0265	1	Governor Gear ASM	17	121-0313	2	Clip-Pin, Piston
7	121-0315	1	Bearing-Main	18	121-0352	1	Complete Governor Kit
8	121-0242	1	Camshaft ASM	19	120-4256	1	Pin-Hair
9	121-0356	1	Seal And Gasket Kit	20	121-0311	1	Washer-Plain
9:1	121-0316	1	Seal-Oil	21	121-0263	1	Shaft-Governor
9:2	121-0317	1	Seal-Oil	23	121-0222	1	Screw-HHF
9:3	121-0228	1	Gasket-Cover, Crankcase	24	121-0310	1	Washer-Plain
9:4	121-0232	1	Gasket-Head, Cylinder	25	121-0278	1	Clamp
9:5	121-0234	1	Gasket-Cover, Valve	26	121-0118	1	Screw-HHF
9:6	121-0272	1	Gasket-Exhaust	27	121-0341	1	Drain Plug Kit
9:7	121-0252	1	Gasket-Carburetor	28	121-0325	1	Grommet-Rubber
9:8	121-0253	1	Gasket-Carburetor	29	121-0362	1	Stator Kit
11	121-0314	2	Pin-Dowel	30	121-0354	1	Fan And Flywheel Kit
12	121-0241	1	Crankshaft ASM	31	121-4107	1	Throttle Control Kit
12:2	121-0315	1	Bearing-Main	32	121-4106	1	Kill Switch Kit
12:3	120-4320	1	Key-Woodruff	33	121-0334	1	Ignition Module Kit

Engine Assembly No. 3



9:1
 9:2
 9:3
 9:4
 9:5
 9:6
 9:7
 9:8

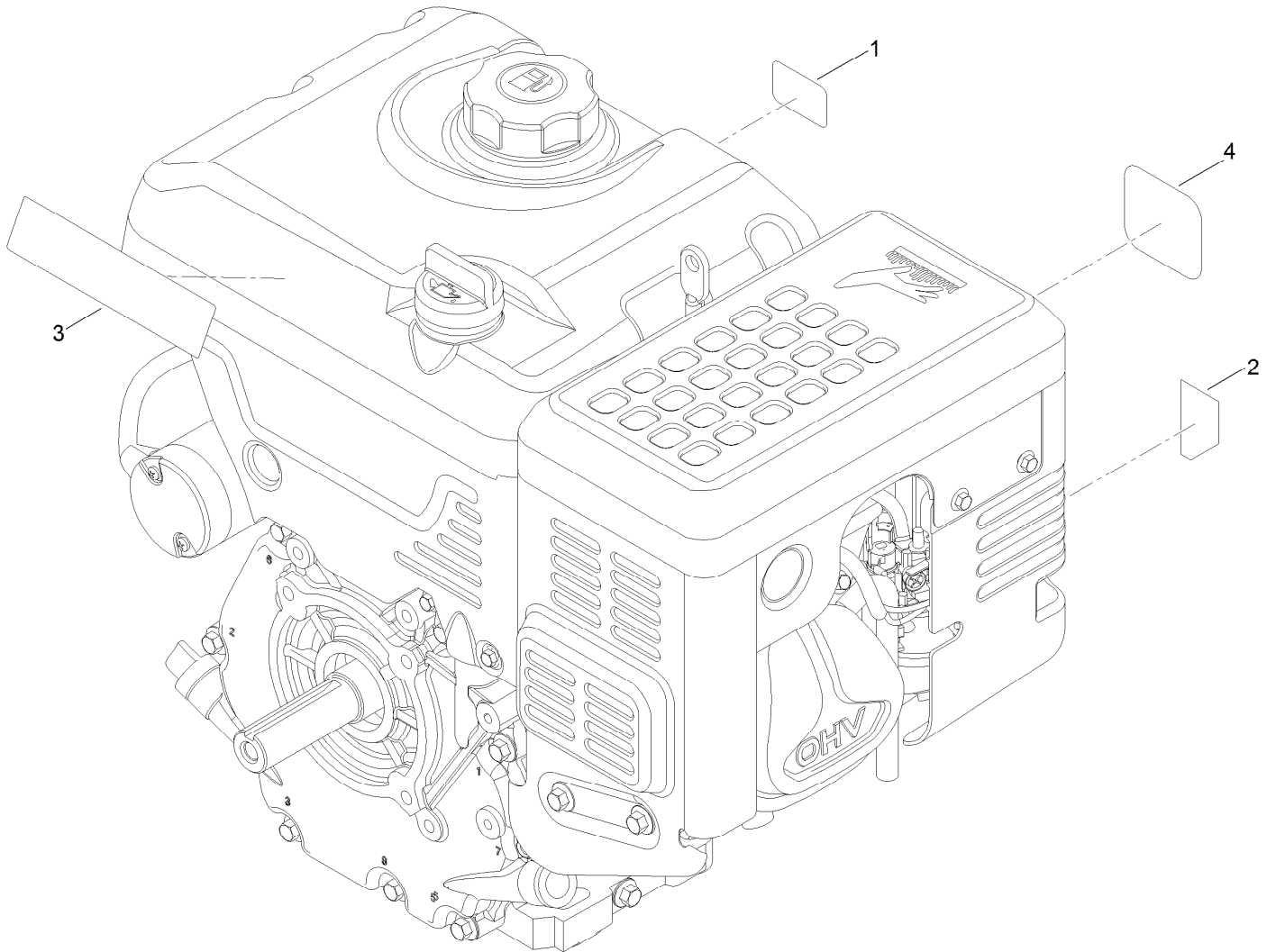
9 Seal and Gasket Kit shown on multiple pages.

Engine Assembly No. 3 (continued)

<i>Ref.</i>	<i>Part Number</i>	<i>Qty.</i>	<i>Description</i>	<i>Ref.</i>	<i>Part Number</i>	<i>Qty.</i>	<i>Description</i>
1	121-4101	1	Muffler Shield Kit	16	120-4305	2	Spring-Valve
2	127-9373	1	Muffler Kit	17	120-4303	1	Seat-Spring, Valve
3	121-0343	1	Valve Cover Kit	18	120-4304	1	Seal-Stem, Valve
4	121-0340	1	Breather Tube Kit	19	121-0328	1	Valve Kit
6	121-0302	4	Screw-HHF	20	120-4200	2	Pin-Dowel
7	119-1901	1	Plug-Spark	21	121-4102	1	Upper Heat Shroud Kit
8	121-0348	1	Lower Heat Shroud Kit	22	121-0246	2	Rod-Push
9	121-0356	1	Seal And Gasket Kit	23	120-4298	2	Lifter-Valve
9:1	121-0316	1	Seal-Oil	24	121-0304	2	Stud-Mount, Muffler
9:2	121-0317	1	Seal-Oil	25	121-0303	2	Stud-Mount, Carburetor
9:3	121-0228	1	Gasket-Cover, Crankcase	26	121-0345	1	Complete Carb Service Kit
9:4	121-0232	1	Gasket-Head, Cylinder	26:5	121-0254	1	Gasket-Coated, Rubber
9:5	121-0234	1	Gasket-Cover, Valve	27	127-9372	1	Primer Kit
9:6	121-0272	1	Gasket-Exhaust	28	127-9143	1	Carb Repair Kit With Gaskets
9:7	121-0252	1	Gasket-Carburetor	29	121-0355	1	Heater Box Kit
9:8	121-0253	1	Gasket-Carburetor	30	121-0283	1	Switch-Key
10	121-0247	1	Plate-Guide, Push Rod	31	117-7728	1	Key
11	121-0230	1	Head-Cylinder	32	133-9855	1	Complete Head ASM
12	121-0245	2	Rocker Arm ASM	99	121-4241	1	High Altitude Kit-Power Max HD ●
13	121-0244	2	Rotator-Valve				
14	120-4307	4	Keeper-Valve				
15	120-4306	2	Retainer-Spring, Valve				

● Not illustrated

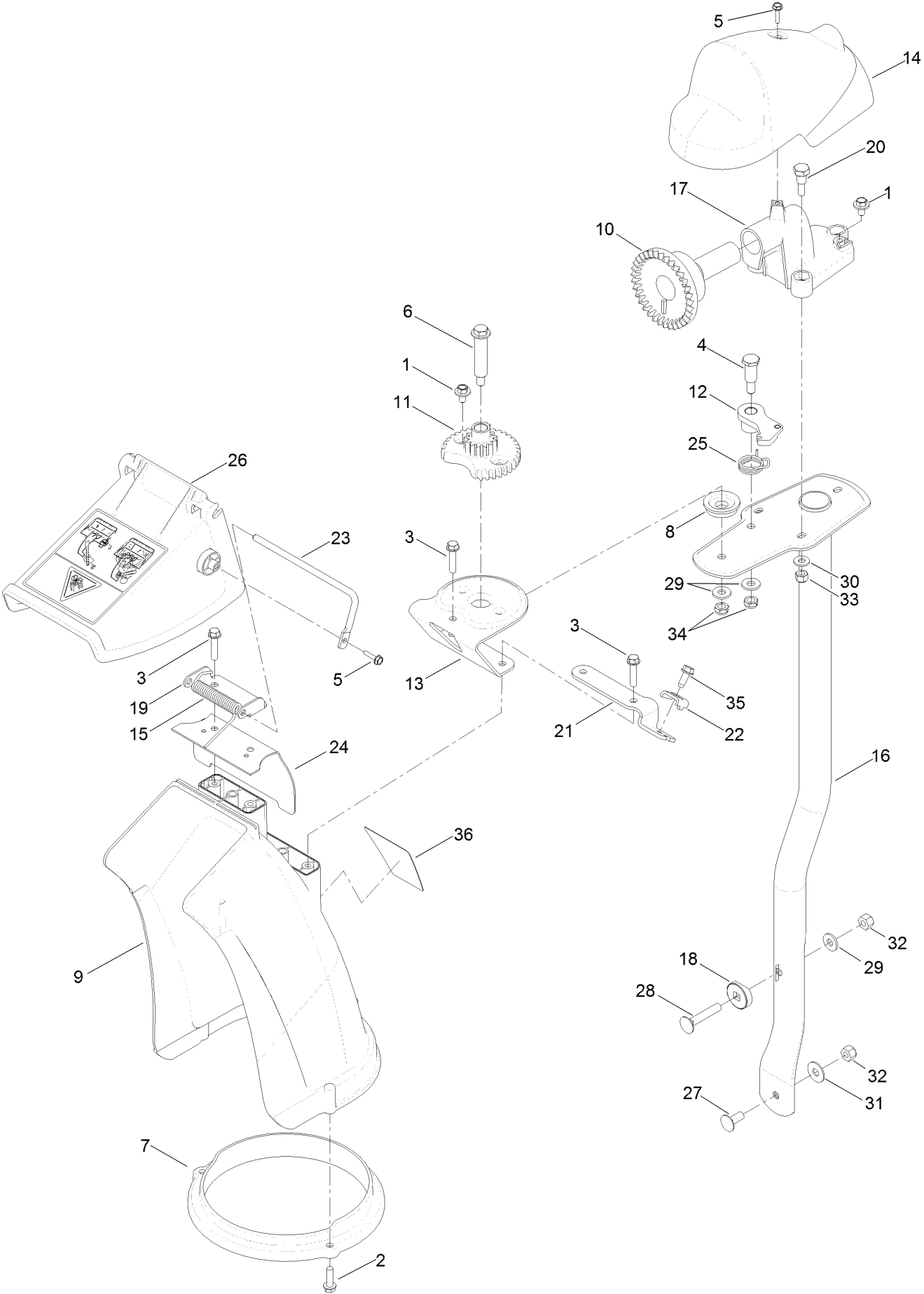
Engine Decal Assembly



Engine Decal Assembly (continued)

<i>Ref.</i>	<i>Part Number</i>	<i>Qty.</i>	<i>Description</i>	<i>Ref.</i>	<i>Part Number</i>	<i>Qty.</i>	<i>Description</i>
1	125-1102	1	Decal-Throttle	3	120-9807	1	Decal-Engine
2	120-9805	1	Decal-Control, Engine	4	120-9810	1	Decal-Recoil

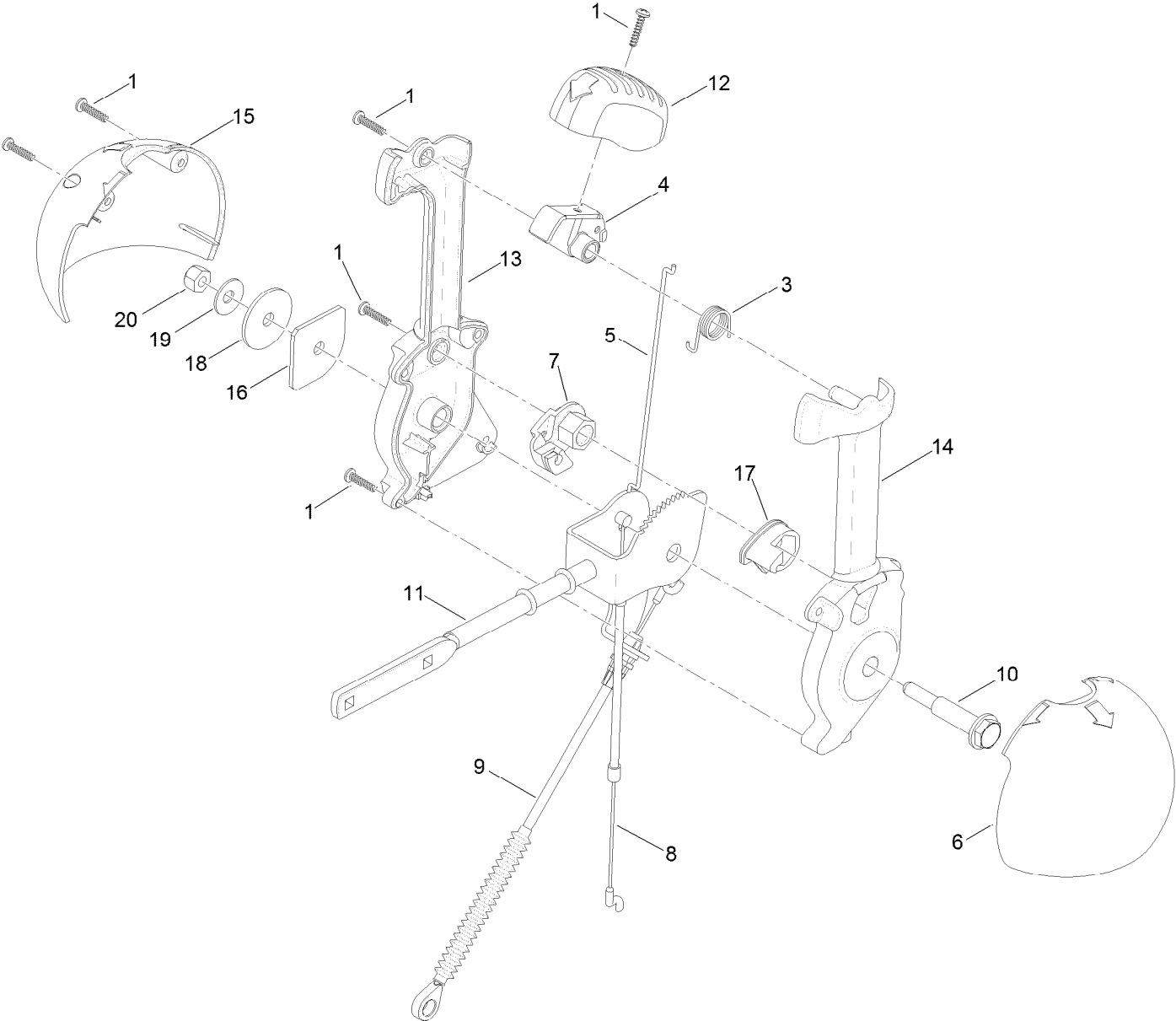
Chute Assembly



Chute Assembly (continued)

<i>Ref.</i>	<i>Part Number</i>	<i>Qty.</i>	<i>Description</i>	<i>Ref.</i>	<i>Part Number</i>	<i>Qty.</i>	<i>Description</i>
1	46-6810	3	Screw And Washer ASM	19	106-7266	1	Bracket-Deflector
2	46-8091	3	Screw-HWH	20	106-7276	3	Screw-Shoulder
3	46-8092	5	Screw-Plastite	21	106-7296	1	Bracket-Cable, Clamp
4	63-2650	1	Screw-Shoulder	22	106-7297	1	Clamp-Cable
5	98-1375	2	Screw-HWH	23	107-1021	1	Rod-Deflector
6	100-9880	1	Bolt-Shoulder	24	108-5052	1	Seal-Chute
7	105-9991	1	Ring-Chute	25	108-7315	1	Spring-Torsion
8	106-4422	1	Spacer-Chute	26	112-6629	1	Deflector-Chute, CE
9	106-4440	1	Chute-Discharge	27	3230-23	1	Screw-CARR
10	106-4471	1	Gear-Face	28	3230-5	1	Screw-CARR
11	106-4472	1	Gear-Chute	29	3256-2	3	Washer-Flat
12	106-4476	1	Latch-Chute	30	3256-22	3	Washer-Flat
13	106-4582-03	1	Bracket-Support, Chute	31	3290-456	1	Washer-Belleville
14	106-4585	1	Cover-Gear, Chute	32	3296-29	2	Nut-Lock, NI
15	106-4594	1	Spring-Torsion	33	3296-42	3	Nut-Lock, NI
16	106-7253-03	1	Tube-Support	34	3296-47	2	Nut-Lock, NI
17	106-7257	1	Mount-Gear, Face	35	32144-10	1	Screw-HWH
18	106-7260	1	Washer-Curved	36	125-1121	1	Decal-Guarantee

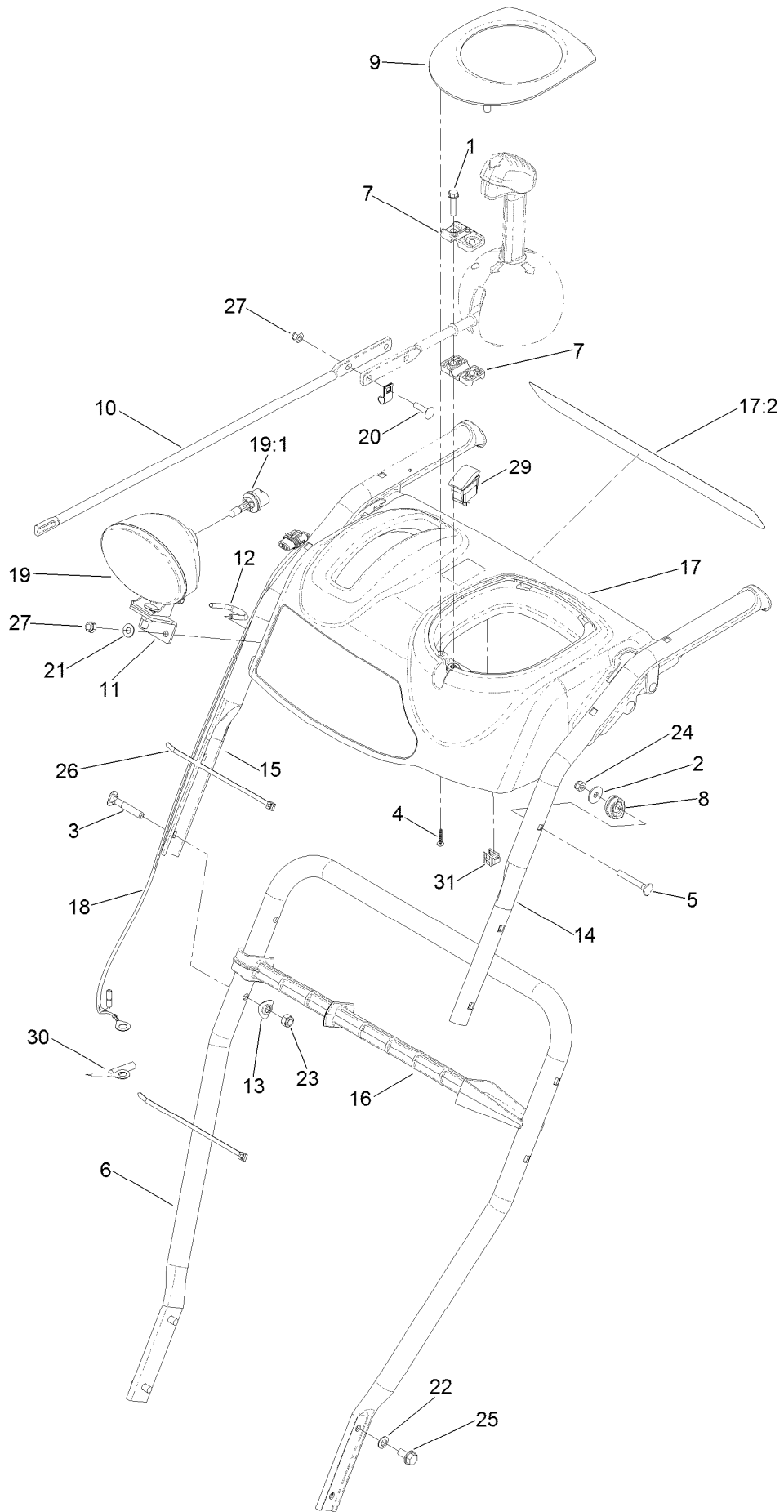
Lever Chute Control Assembly



Lever Chute Control Assembly (continued)

<i>Ref.</i>	<i>Part Number</i>	<i>Qty.</i>	<i>Description</i>	<i>Ref.</i>	<i>Part Number</i>	<i>Qty.</i>	<i>Description</i>
1	94-4496	6	Screw-PPH	12	106-7280	1	Cap-Lever
3	105-9982	1	Spring-Torsion	13	106-7281	1	Lever-Control, Chute (RH)
4	105-9984	1	Trigger-Latch	14	106-7282	1	Lever-Control, Chute (LH)
5	105-9985	1	Link-Latch	15	106-7292	1	Cover-Lever, Chute (RH)
6	105-9986	1	Cover-Lever, Chute (LH)	16	106-7295	1	Plate-Friction
7	105-9988	1	Lever-Cable, Deflector	17	106-7310	1	Pawl-Latch
8	125-1113	1	Cable-Release, Chute	18	107-3002	1	Washer-Nylon
9	105-9990	1	Cable-Control, Deflector	19	3290-456	1	Washer-Belleville
10	105-9995	1	Screw-Shoulder	20	3296-29	1	Nut-Lock, NI
11	106-4479	1	Rod-Control, Chute				

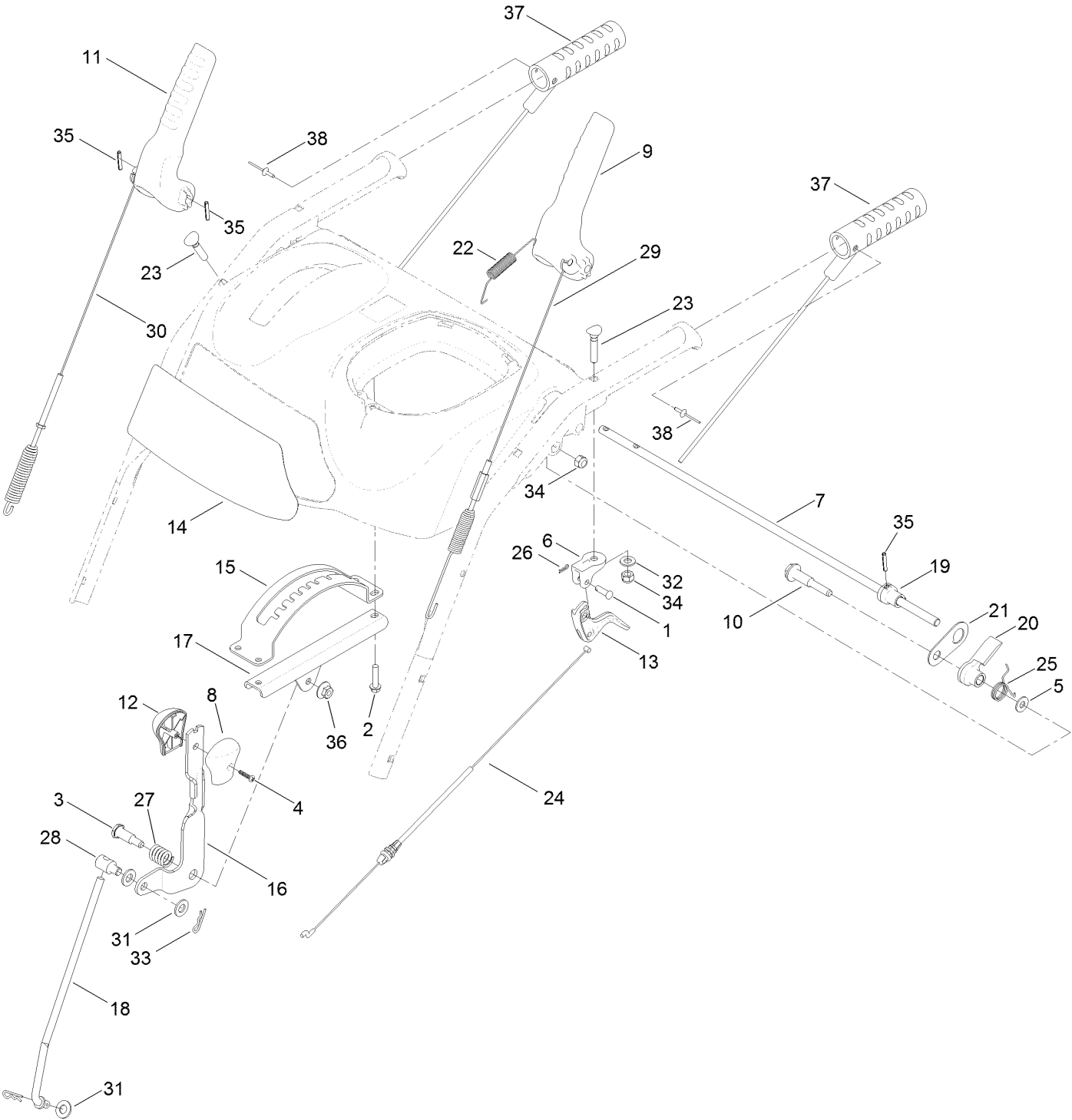
Handle Assembly



Handle Assembly (continued)

<i>Ref.</i>	<i>Part Number</i>	<i>Qty.</i>	<i>Description</i>	<i>Ref.</i>	<i>Part Number</i>	<i>Qty.</i>	<i>Description</i>
1	46-8092	2	Screw-Plastite	17:2	127-5991	1	Decal-Control
2	87-6630	2	Washer-Plain	18	127-5950	1	Harness-Wire, Heated Grips
3	92-2260	4	Screw-Handle	19	120-3074	1	Headlamp ASM
4	94-4496	2	Screw-PPH	19:1	120-3075	1	Lamp-12 Volt
5	95-4453	2	Screw	20	3229-30	2	Screw-CARR
6	105-9981-03	1	Handle-Lower	21	3256-1	2	Washer-Flat
7	105-9987	2	Support-Rod	22	3290-475	4	Washer-Belleville
8	106-4509	2	Clamp-Cable	23	3296-72	4	Nut-Lock, NI
9	106-4586	1	Cover-Panel, Control	24	3296-73	2	Nut-Lock, NI
10	106-7283	1	Rod-Chute, Front	25	32144-14	4	Screw-HWHTF
11	107-1020-03	1	Bracket-Light	26	614249	2	Tie-Cable
12	107-3024	1	Clamp	27	3296-73	4	Nut-Lock, NI
13	107-3844	4	Washer	29	127-5999	1	Switch-Rocker, Off-None-On
14	127-5952-03	1	Handle-Upper, LH	30	127-5998	1	Harness-Wire, Ground Jumper
15	127-5953-03	1	Handle-Upper, RH	31	32180-078	1	Clip-Edge
16	110-3408	1	Stick-Cleanout				
17	127-5990	1	Control Panel ASM				

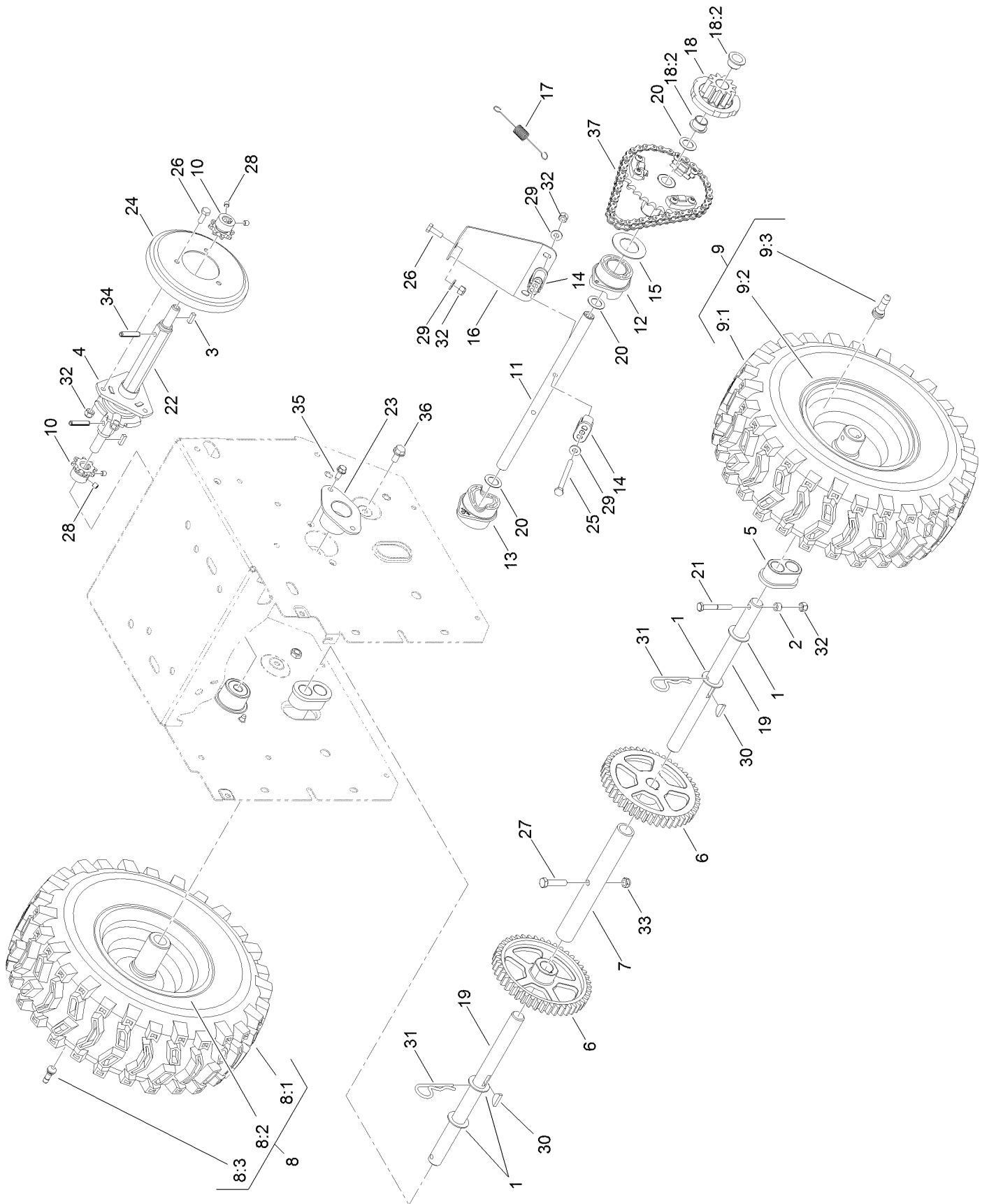
Control Assembly



Control Assembly (continued)

<i>Ref.</i>	<i>Part Number</i>	<i>Qty.</i>	<i>Description</i>	<i>Ref.</i>	<i>Part Number</i>	<i>Qty.</i>	<i>Description</i>
1	1-808265	2	Pin-Clevis	20	108-0023	1	Latch-Lockout
2	46-8092	4	Screw-Plastite	21	107-3000	1	Link-Lockout
3	63-2650	1	Screw-Shoulder	22	107-3001	1	Spring-Tension
4	94-4496	1	Screw-PPH	23	107-3018	4	Screw-Handle
5	98-3499	1	Washer-Flat	24	107-8896	2	Cable-Clutch
6	105-9980	2	Mount-Clutch, Lever	25	108-0024	1	Spring-Torsion
7	105-9996	1	Rod-Lockout	26	108-2992	2	Pin-Hair
8	105-9999	1	Knob-Shift, LH	27	108-7313	1	Spring-Compression
9	125-7946	1	Lever-Traction	28	110-3446	1	Trunnion-Rod
10	106-4412	1	Screw-Shoulder	29	120-0132	1	Cable-Traction
11	125-7947	1	Lever-Auger	30	120-3086	1	Cable-Auger
12	106-4423	1	Knob-Shift, RH	31	3256-24	3	Washer-Flat
13	106-4505	2	Lever-Clutch	32	3256-70	4	Washer-Flat
14	130-9781	1	Decal-Control Panel	33	3290-307	2	Pin-Cotter
15	106-7277-03	1	Guide-Selector, Speed	34	3296-72	5	Nut-Lock, NI
16	106-7278-03	1	Selector-Speed	35	32121-125	3	Pin-Spring
17	130-9775-03	1	Bracket-Selector, Speed	36	32128-13	1	Nut-HF
18	107-1005	1	Rod-Shift	37	127-5951	2	Grip-Heated
19	107-1043	1	Cam-Lockout	38	3290-271	4	Rivet-Pop

Wheel Clutch Assembly

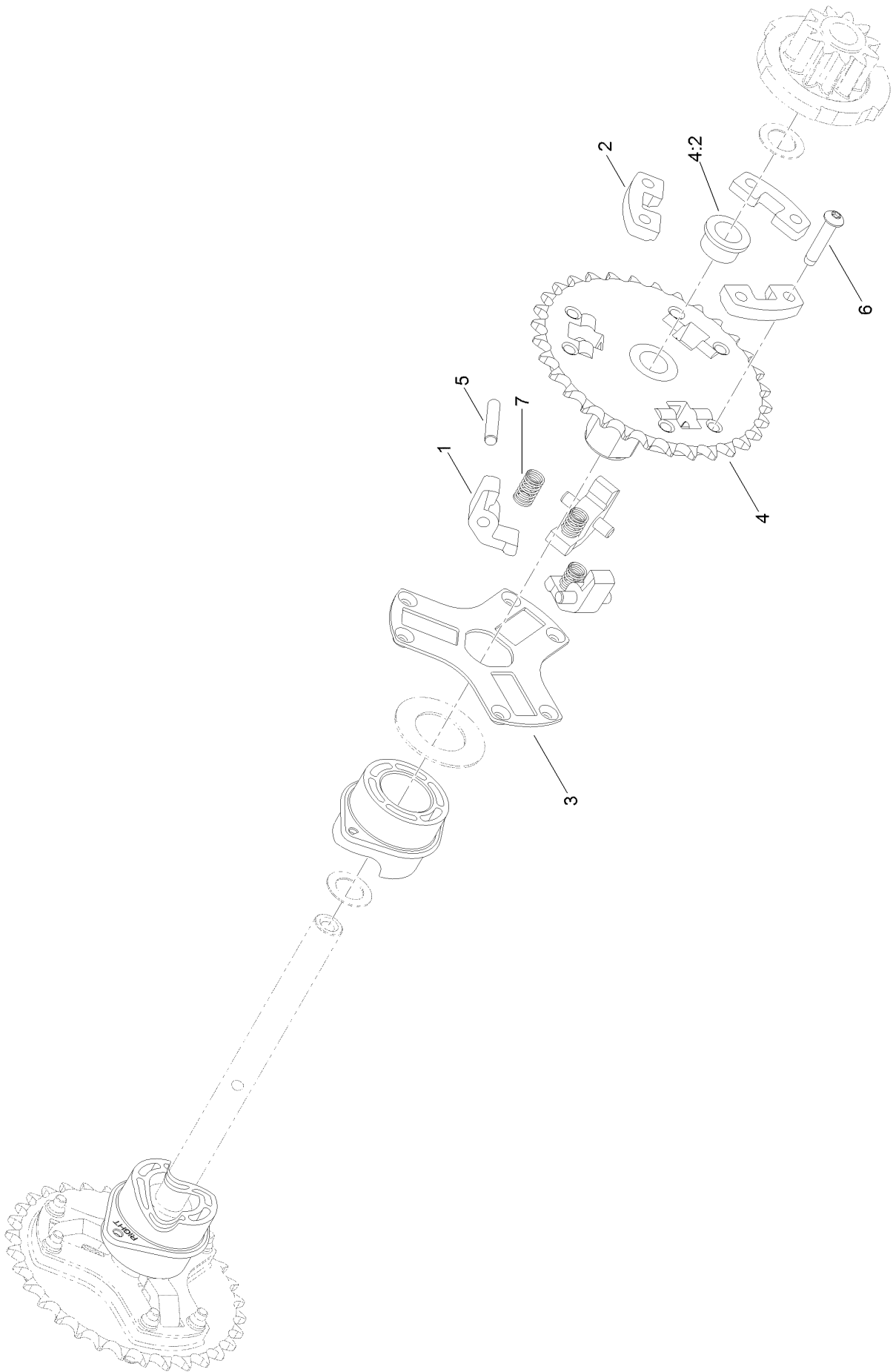


Wheel Clutch Assembly (continued)

<i>Ref.</i>	<i>Part Number</i>	<i>Qty.</i>	<i>Description</i>	<i>Ref.</i>	<i>Part Number</i>	<i>Qty.</i>	<i>Description</i>
1	3-8664	4	Washer-Thrust	18	107-8894	2	11T Gear ASM
2	55-9370	2	Spacer-Blade, Rotor	18:2	108-2973	2	Bushing-Flange
3	94-8850	2	Key-Square	19	107-8898	2	Shaft-Axle
4	106-4434	1	Trunnion-Hex	20	108-0015	4	Washer-Flat
5	106-4558	2	Bearing-Axle	21	108-2975	2	Screw-HH
6	106-4572	2	Gear-Axle, 44 Tooth	22	108-7314	1	Shaft-Hex
7	106-7259	1	Tube-Axle	23	108-7319	2	Retainer-Bearing
8		1	RH Wheel And Tire ASM ●	24	119-1567	1	Wheel-Friction
8:1	121-6610	1	Rim-Tire	25	321-23	2	Screw-HH
8:2	121-6611	1	Tire	26	321-4	4	Screw-HH
8:3	232-27	1	Stem-Valve	27	322-17	1	Screw-HH
9		1	LH Wheel And Tire ASM ●	28	3245-32	4	Screw-HSH
9:1	121-6610	1	Rim-Tire	29	3256-22	5	Washer-Flat
9:2	121-6611	1	Tire	30	3257-7	2	Key-Woodruff
9:3	232-27	1	Stem-Valve	31	3290-343	2	Pin-Hair
10	106-7317	2	Sprocket-8 Tooth	32	3296-42	8	Nut-Lock, NI
11	107-8883	1	Shaft-Intermediate	33	3296-47	1	Nut-Lock, NI
12	107-8887	1	Collar-Shift, LH	34	32121-9	2	Pin-Roll, Slotted
13	107-8888	1	Collar-Shift, RH	35	32144-10	4	Screw-HWH
14	107-8889	4	Guide-Collar	36	32144-14	2	Screw-HWHTF
15	107-8891	2	Washer-Thrust	37	108-0016	2	Chain-Roller
16	107-8892-03	1	Brace-Collar, Shift	37	2710-6	2	Link-Connecting
17	107-8893	2	Spring-Extension				

● Not serviced separately

Wheel Clutch Sprocket Assembly



Wheel Clutch Sprocket Assembly (continued)

<i>Ref.</i>	<i>Part Number</i>	<i>Qty.</i>	<i>Description</i>	<i>Ref.</i>	<i>Part Number</i>	<i>Qty.</i>	<i>Description</i>
1	107-8879	6	Pawl-Clutch	4:2	108-2973	2	Bushing-Flange
2	107-8880	6	Support-Pawl	5	107-8899	6	Pin-Dowel
3	107-8886	2	Retainer-Pin, Pawl	6	108-0035	12	Screw-TTH, Thread Rolling
4	107-8895	2	32T Sprocket ASM	7	107-8885	6	Spring-Compression

Attachments and Accessories

For 38801 Power Max Heavy Duty 928 OHXE Snowthrower

Product Name	Model/Part
Weight Kit	107-3815
28in Drift Breaker.....	107-3817
Heavy-Duty Skid Kit.....	125-1104
Snow Cab Kit	127-5960
Engine Maintenance Kit.....	138-0704
Non-Marking Skid Kit	38211
Tire Chain Kit, for 16in Tires.....	38215
Toro Snow Oil 0W30 Synthetic 20-Ounce Bottle	38913
Toro 2-Stage Cover.....	490-7466
Plain 2-Stage Cover.....	490-7467

Notes:



Count on it.