

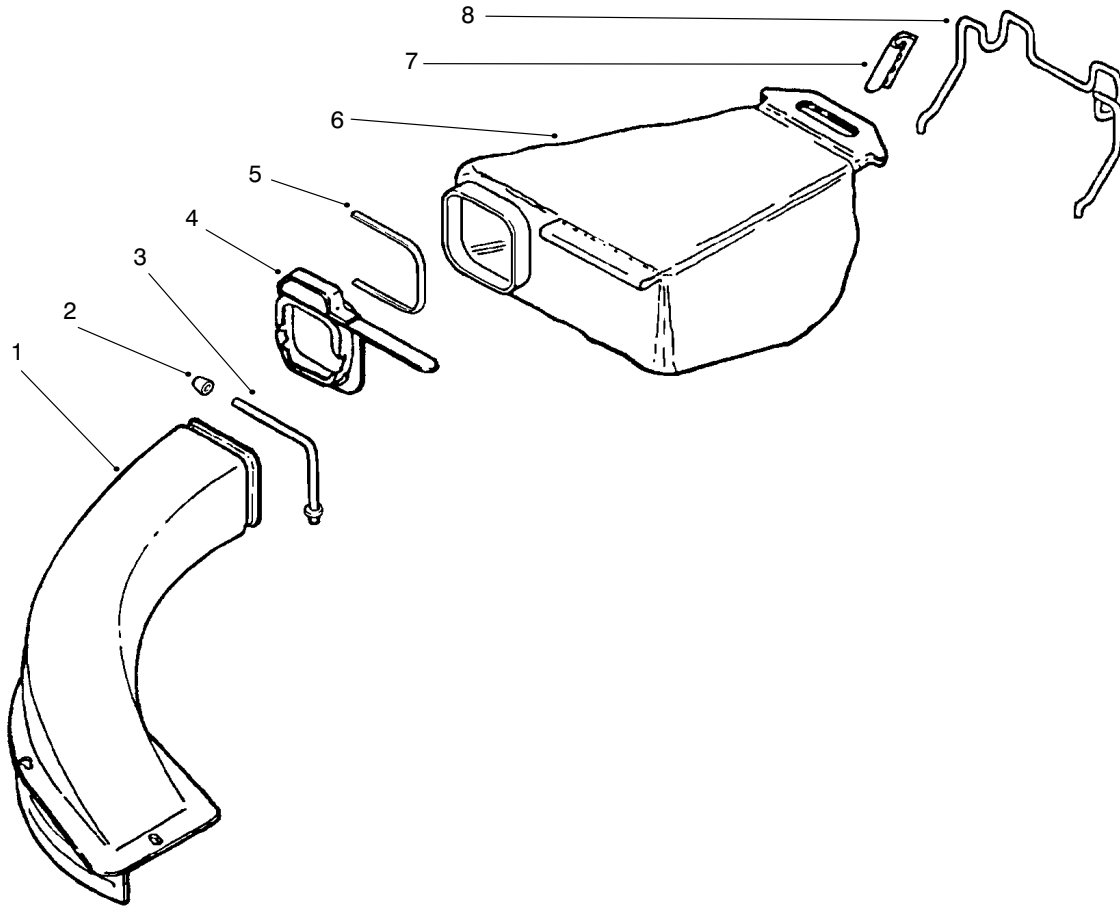
# **LAWN-BOY®**

## **21" REAR GRASS CATCHER**

**PART NO. 99–5223**

---

# **PARTS CATALOG**



### CATCHER ASSEMBLY

| Ref. No. | Part No. | Description                                      | No. Used |
|----------|----------|--|----------|
| 1        | 684729   | Chute & Support Assembly<br>(Incl. ref. # 2 & 3) | 1        |
| 2        | 614589   | Nut - Cap  | 1        |
| 3        | 614591   | Chute Support                                    | 1        |
| 4        | 684727   | Adaptor Assembly                                 | 1        |

| Ref. No. | Part No.  | Description   | No. Used |
|----------|-----------|---------------|----------|
| 5        | 614700    | Tie Strap     | 1        |
| *6       |           | Bag Assembly  | 1        |
| 7        | 613462-03 | Hanger Clamp  | 2        |
| 8        | 613463    | Narrow Hanger | 1        |

\* Includes Ref. #5 and instruction sheet for installing bag to adapter assembly. Order via model # 89801.