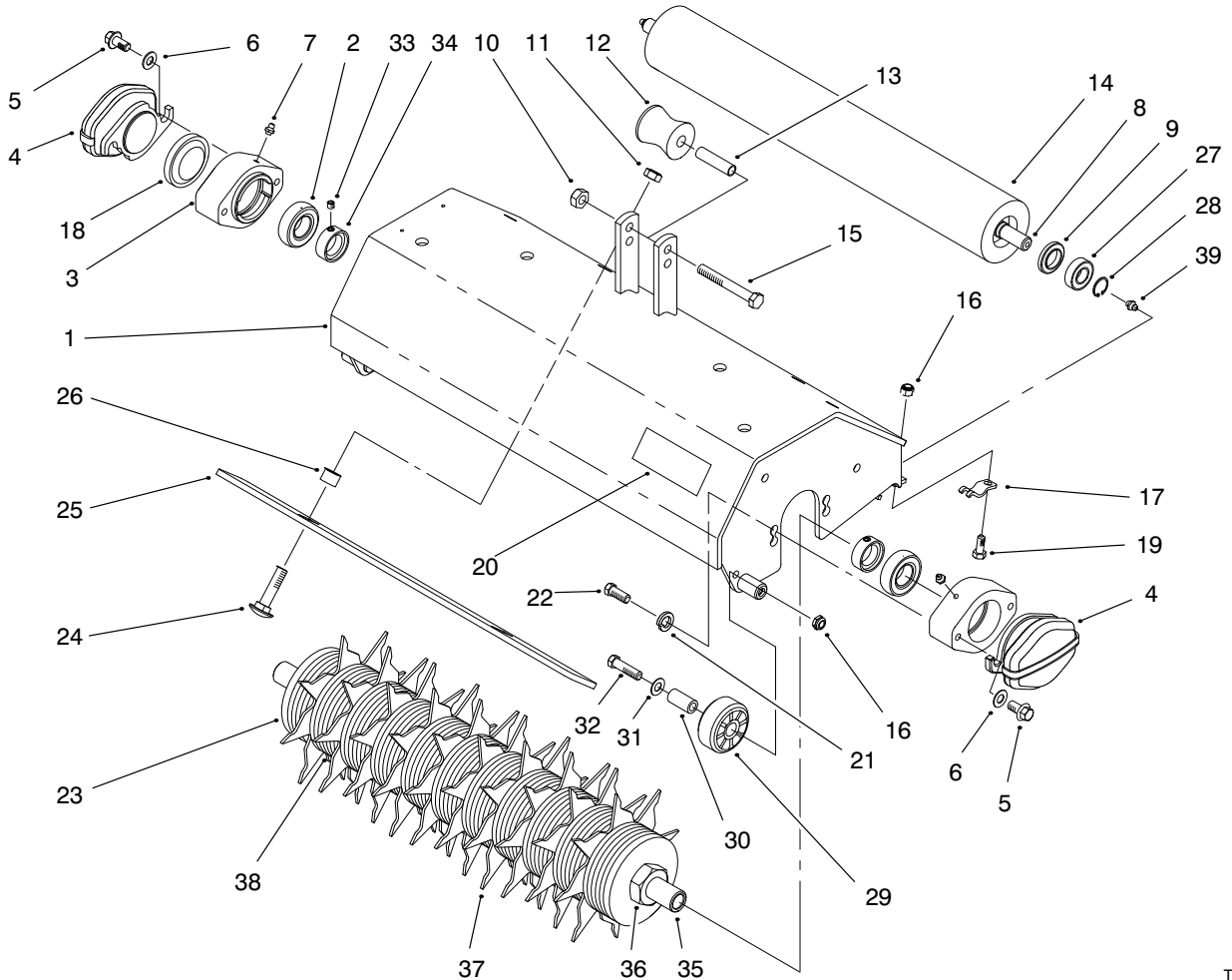




MODEL NO. 04494-80001 & UP

**PARTS
CATALOG**

SPIKER KIT
For Greensmaster® 3000 Series



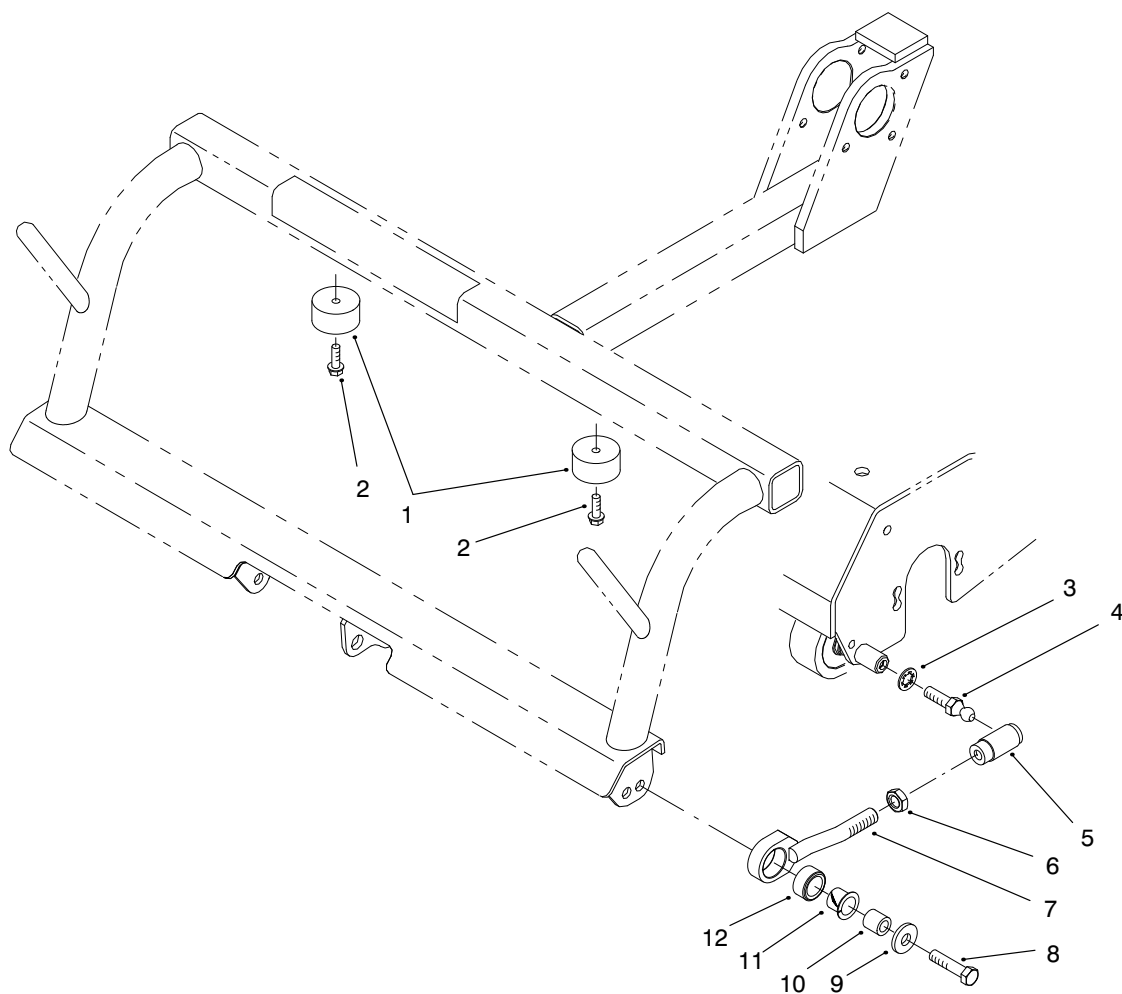
T-3087-1

SPIKER ASSEMBLY

Ref. No.	Part No.	Description	No. Used
1	99-1605	Frame Assembly	3
2	251-337	Bearing-Ball	6
3	95-7148	Housing-Bearing	6
4	95-1642	Weight-Counter (Greensmaster 3200)	3
4	95-1642	Weight-Counter (Greensmaster 3050 & 3100)	4
5	93-2569	Screw-HH	12
6	3256-24	Washer-Flat (Greensmaster 3200)	6
6	3256-24	Washer-Flat (Greensmaster 3050 & 3100)	8
7	302-5	Fitting-Grease	6
8	93-2466	Shaft-Roller	3
9	98-2194	Sleeve-Grease	6
10	33025-00	Nut-Lock NI	3
11	33026-00	Nut-Lock NI	6

Ref. No.	Part No.	Description	No. Used
12	93-2463	Roller-Lift	3
13	93-2464	Spacer-Roller	3
14	99-1616	Tube Assembly	3
15	33115-080	Screw-HH	3
16	33024-00	Nut-Lock NI	12
17	95-1637	Collar-HOC	6
18	2410-30	Cap-Plastic	3
19	33114-020	Screw-HH	6
20	67-1300	Decal-Toro	3
21	48-9590	Washer-Lock	12
22	33115-025	Screw-HH	12
23	99-1635	Spacer	6
24	33126-040	Screw-Carriage	6
25	99-1637	Plate-Scraper	3
26	74-3730	Spacer	6
27	93-2559	Bearing	6
28	93-2525	Ring-Retaining	6

TPS

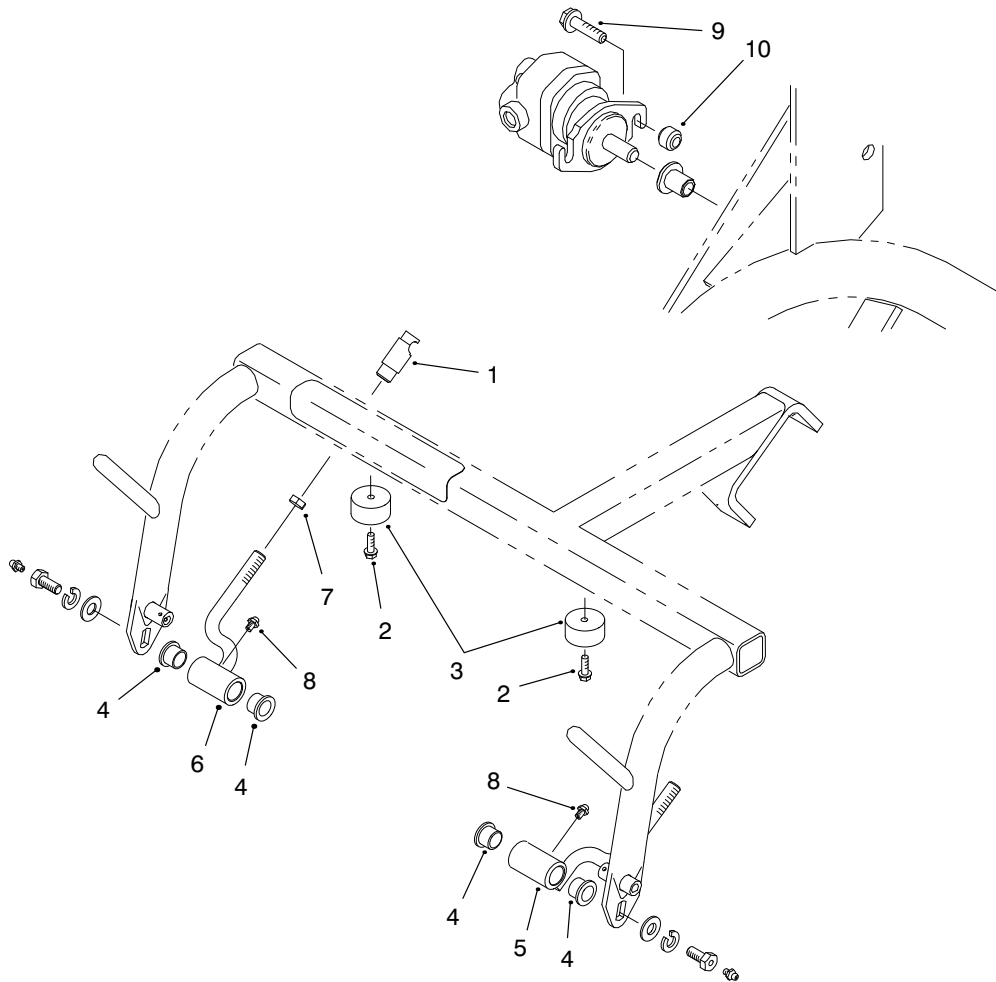


T-3089-1

PULL LINK ASSEMBLY (Greensmaster® 3200 Only)

Ref. No.	Part No.	Description	No. Used
1	94-4548	Bumper-Recessed	6
2	32144-44	Screw-HWH	6
3	3254-6	Washer-Lock, Int.	6
4	54-7430	Ball Stud	6
5	54-7460	Ball Joint Receiver	6
6	3220-5	Nut-Hex. Jam	6

Ref. No.	Part No.	Description	No. Used
7	99-1465	Pull Link	6
8	3211-6	Screw-HH	6
9	3256-4	Washer-Flat	6
10	75-5270	Spacer-Seat Knob	6
11	256-292	Bushing-Nylinder	6
12	95-0532	Bushing Assembly	6



T-3090-1

PULL ARM ASSEMBLY (Greensmaster® 3050 & 3100 Only)

Ref. No.	Part No.	Description	No. Used
1	54-7460	Ball Joint Receiver	6
2	32144-44	Screw-HWH	6
3	94-4548	Bumper-Recessed	6
4	3-1506	Bushing-Flange	12
5	99-1468	Pull Arm Assembly, LH (Incl. Ref. #4)	3

Ref. No.	Part No.	Description	No. Used
6	99-1467	Pull Arm Assembly, RH (Incl. Ref. #4)	3
7	3220-5	Nut-Jam	6
8	302-5	Fitting-Grease	6
9	32144-102	Screw-HWH	1
10	61-2370	Spacer	1