



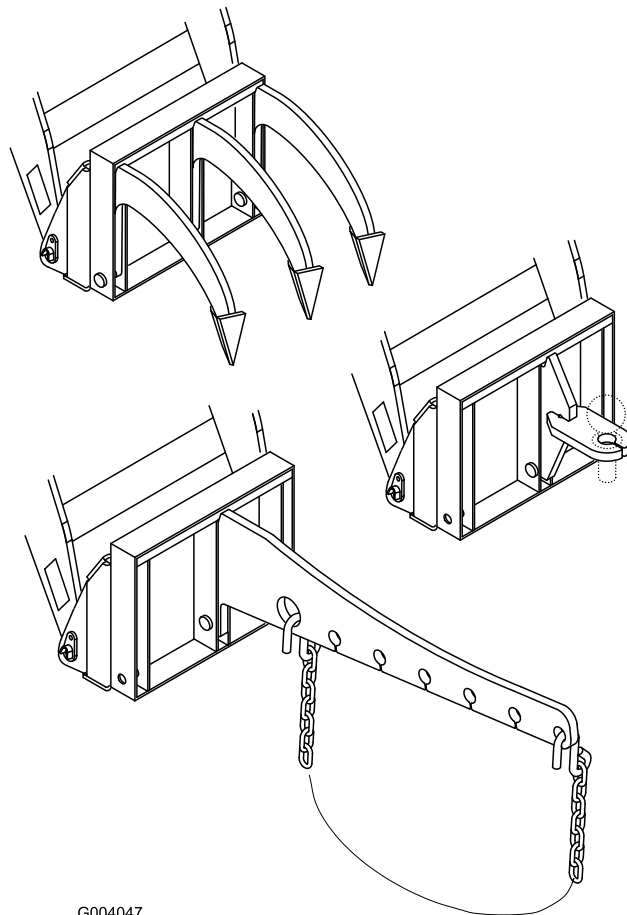
Count on it.

Form No. 3420-689 Rev A

Operator's Manual

Multi-Purpose Tool Compact Tool Carrier

Model No. 22423—Serial No. 40200000 and Up



G004047



⚠ WARNING

**CALIFORNIA
Proposition 65 Warning**

Use of this product may cause exposure to chemicals known to the State of California to cause cancer, birth defects, or other reproductive harm.

Model No. _____

Serial No. _____

This manual identifies potential hazards and has safety messages identified by the safety-alert symbol (Figure 2), which signals a hazard that may cause serious injury or death if you do not follow the recommended precautions.



Figure 2

g000502

1. Safety-alert symbol

This manual uses 2 words to highlight information. **Important** calls attention to special mechanical information and **Note** emphasizes general information worthy of special attention.

Introduction

Read this information carefully to learn how to operate and maintain your product properly and to avoid injury and product damage. You are responsible for operating the product properly and safely.

You may contact Toro directly at www.Toro.com for product safety and operation training materials, accessory information, help finding a dealer, or to register your product.

Whenever you need service, genuine Toro parts, or additional information, contact an Authorized Service Dealer or Toro Customer Service and have the model and serial numbers of your product ready. Figure 1 identifies the location of the model and serial numbers on the product. Write the numbers in the space provided.

Important: With your mobile device, you can scan the QR code on the serial number decal (if equipped) to access warranty, parts, and other product information.

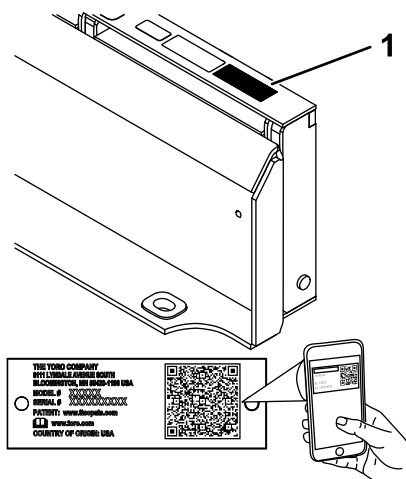


Figure 1

g248598

1. Model and serial number location

Contents

Safety	3
General Safety	3
Slope Safety	3
Attachment Safety	4
Maintenance and Storage Safety	4
Safety and Instructional Decals	4
Setup	5
Installing an Accessory to the Tool	
Frame	5
Product Overview	5
Specifications	6
Operation	6
Installing and Removing the Attachment	6
Using the Boom Jib	6
Using the Scarifier/Ripper	7
Using the Hitch	7
Transport Position	7
Maintenance	8
Replacing Scarifier Teeth Tips	8
Storage	8

Safety

▲ DANGER

There may be buried utility lines in the work area. Digging into them may cause a shock or an explosion.

Have the property or work area marked for buried lines and do not dig in marked areas. Contact your local marking service or utility company to have the property marked (for example, in the US, call 811 or in Australia, call 1100 for the nationwide marking service).

General Safety

Always follow all safety instructions to avoid serious injury or death.

- Always carry the attachment close to the ground; refer to [Transport Position \(page 7\)](#).
- Have the property or work area marked for buried lines and other objects, and do not dig in marked areas.
- Read and understand the content of this *Operator's Manual* before starting the engine.
- Use your full attention while operating the machine. Do not engage in any activity that causes distractions; otherwise, injury or property damage may occur.
- Never allow children or untrained people to operate the machine.
- Keep your hands and feet away from the moving components and attachments.
- Do not operate the machine without the guards and other safety protective devices in place and working on the machine.
- Keep bystanders and pets a safe distance away from the machine.
- Stop the machine, shut off the engine, and remove the key before servicing, fueling, or unclogging the machine.

Improperly using or maintaining this machine can result in injury. To reduce the potential for injury, comply with these safety instructions and always pay attention to the safety-alert symbol, which means Caution, Warning, or Danger—personal safety instruction. Failure to comply with these instructions may result in personal injury or death.

You can find additional safety information where needed throughout this *Operator's Manual*.

Slope Safety

- **Operate the machine up and down slopes with the heavy end of the machine uphill.** Weight distribution changes with attachments. An empty attachment makes the rear of the machine the heavy end, and a full attachment makes the front of the machine the heavy end. Most other attachments make the front of machine the heavy end.
- **Keep the attachment in the lowered position when on slopes.** Raising the attachment on a slope affects the stability of the machine.
- Slopes are a major factor related to loss of control and tip-over accidents, which can result in severe injury or death. Operating the machine on any slope or uneven terrain requires extra caution.
- Establish your own procedures and rules for operating on slopes. These procedures must include surveying the site to determine which slopes are safe for machine operation. Always use common sense and good judgment when performing this survey.
- Slow down and use extra care on hillsides. Ground conditions can affect the stability of the machine.
- Avoid starting or stopping on a slope. If the machine loses traction, proceed slowly, straight down the slope.
- Avoid turning on slopes. If you must turn, turn slowly and keep the heavy end of the machine uphill.
- Keep all movements on slopes slow and gradual. Do not make sudden changes in speed or direction.
- If you feel uneasy operating the machine on a slope, do not do it.
- Watch for holes, ruts, or bumps, as uneven terrain could overturn the machine. Tall grass can hide obstacles.
- Use caution when operating on wet surfaces. Reduced traction could cause sliding.
- Do not operate the machine near drop-offs, ditches, embankments, or bodies of water. The machine could suddenly roll over if a wheel or track goes over the edge or the edge caves in. Maintain a safe distance between the machine and any hazard.
- Do not remove or add attachments on a slope.
- Do not park the machine on a hillside or slope.
- Do not pull a trailer on any slope.

Attachment Safety

- Always lower the attachment each time you shut off the machine or leave the operating position.
- Clean any dirt or debris that may hinder connecting the attachment to the machine. Ensure that the attachment-locking pins are fully seated in the holes of the attachment-mount plate. Refer to the *Operator's Manual* for the machine for detailed information on safely connecting an attachment to your machine.
- Do not allow anyone to stand on the attachment or ride it in any way.
- For wheeled machines:
 - Use the counterweight on the traction unit while using the boom jib and while pulling a trailer using the hitch.
 - Do not use the counterweight on the traction unit while using the scarifier teeth.

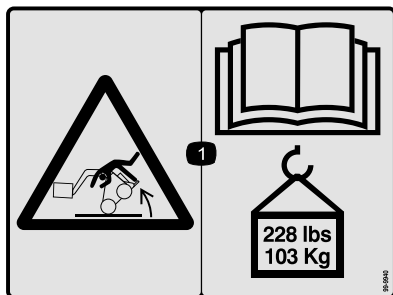
Maintenance and Storage Safety

- Check fasteners at frequent intervals for proper tightness to ensure that the equipment is in safe operating condition.
- Refer to the *Operator's Manual* for important details if you store the attachment for an extended period of time
- Maintain or replace safety and instruction labels, as necessary.

Safety and Instructional Decals



Safety decals and instructions are easily visible to the operator and are located near any area of potential danger. Replace any decal that is damaged or missing.



99-9940

decal99-9940

1. Tipping hazard—read the *Operator's Manual*; the maximum load is 103 kg (228 lb).

Setup

Installing an Accessory to the Tool Frame

All accessories (scarifier teeth, boom jib, and hitch) are installed into the slots in the tool frame in the same way.

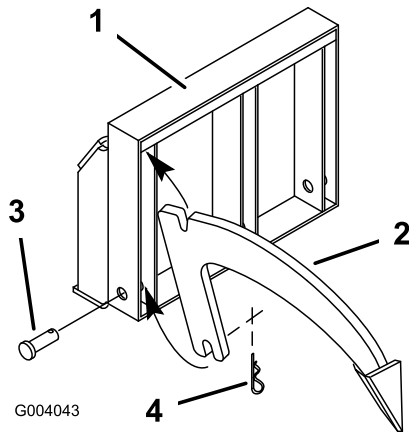


Figure 3

Scarifier tooth installation shown

- | | |
|--------------------|-------------------|
| 1. Tool frame | 3. Clevis pin |
| 2. Scarifier tooth | 4. Hairpin cotter |

Product Overview

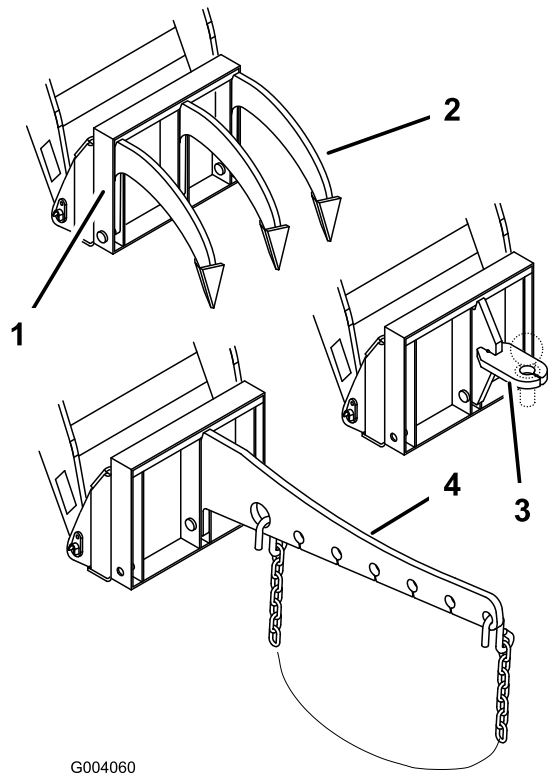


Figure 4

- | | |
|---------------------------|-------------|
| 1. Tool frame | 3. Hitch |
| 2. Scarifier/ripper tooth | 4. Boom jib |

1. Slide the slot on top of the accessory into the top bar of 1 of the 3 accessory positions (Figure 3).

Note: Install the boom jib and hitch in the center position. Install the scarifier teeth in any or all 3 positions (up to 3 teeth may be installed at a time).

2. Swing the bottom of the accessory into the frame and secure it with a clevis pin (Figure 3).
3. Secure the pin with a hairpin cotter (Figure 3).
4. Repeat steps 1 through 3 for the remaining accessory positions, if needed.
5. If you are installing the hitch, purchase and install a ball hitch that is appropriate for your trailer application.

Note: The hole in the hitch accepts a ball hitch with a 2.5 cm (1 inch) diameter stud.

Specifications

Specifications and design are subject to change without notice.

Frame

Width	61 cm (24 inches)
Length	10 cm (4 inches)
Height	25 cm (10 inches)
Weight	18 kg (40 lb)

Boom Jib

Width	1.6 cm (0.63 inches)
Length	82.3 cm (32.4 inches)
Height	23.9 cm (9.4 inches)
Weight	10.5 kg (23.2 lb)
Chain	35 links, approximately 76 cm (2.5 ft), with S-hook ends

Scarifier Tooth (each)

Width (with tip)	5.1 cm (2.0 inches)
Width (without tip)	1.6 cm (0.63 inches)
Length	33 cm (13 inches)
Height	29.7 cm (11.7 inches)
Weight	4.1 kg (9.0 lb)
Tip	Replaceable, cast iron spear points

Ball hitch (ball not included)

Width	7.6 cm (3.0 inches)
Length	21.3 cm (8.4 inches)
Height	23.9 cm (9.4 inches)
Weight	3.4 kg (7.5 lb)
Ball-mounting hole	Suitable for mounting balls with 2.5 cm (1 inch) diameter mounting studs

Operation

Installing and Removing the Attachment

Refer to the *Operator's Manual* for the traction unit for the installation and removal procedure.

Important: Before installing the attachment, position the machine on a level surface, ensure that the mount plates are free of any dirt or debris, and ensure that the pins rotate freely. If the pins do not rotate freely, grease them.

Note: Always use the traction unit to lift and move the attachment.

⚠ WARNING

If you do not fully seat the quick-attach pins through the attachment mount plate, the attachment could fall off the machine, crushing you or bystanders.

Ensure that the quick-attach pins are fully seated in the attachment mount plate.

Using the Boom Jib

Important: For traction units with wheels, use the counterweight on the platform while using the boom jib.

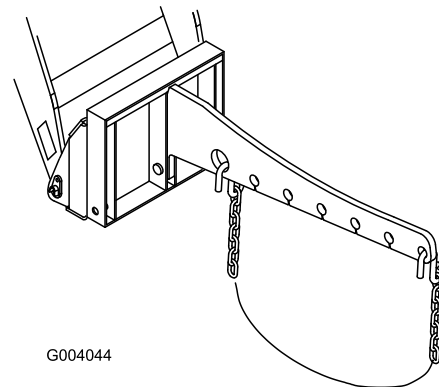


Figure 5

Use the boom jib to lift and transport various items, such as balled trees. Secure the item being lifted as close as possible to the boom jib frame using the provided lifting chain.

Always use the lifting chain provided to secure items to the boom jib.

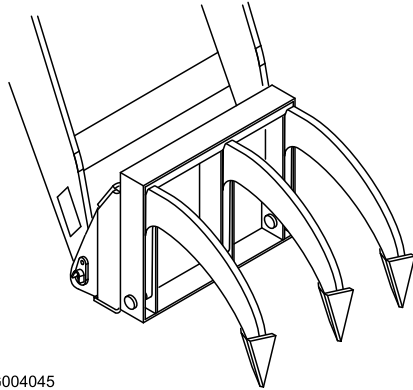
Never lift more than the rated lift capacity of the traction unit. When transporting a load, keep it as close to the ground as possible.

⚠ WARNING

Pulling tree stumps and other items can weaken the chain. The chain could break and snap back, causing serious injury.

Do not attempt to pull tree stumps and other large objects with the boom jib.

Using the Scarifier/Ripper



G004045

Figure 6

g004045

Use the scarifier to loosen hard packed ground. Lower the teeth to the ground by lowering the attachment arms and tilting the attachment plate forward. Move the traction unit slowly backward while lowering the teeth into the ground. Several shallow passes may be necessary to thoroughly break up the ground.

The teeth can also be used to hook and tear out bushes and roots. It is also useful for raking up debris and brush.

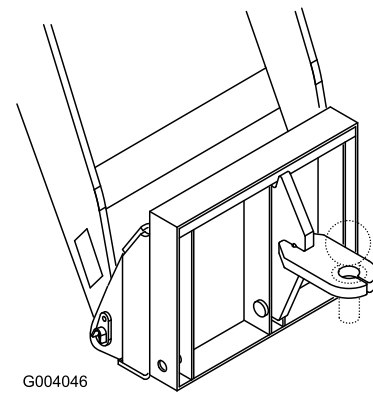
Using the Hitch

Important: For traction units with wheels, use the counterweight on the platform when pulling trailers.

⚠ WARNING

Pulling trailers or other objects using a rope, chain, or cable can cause the rope, chain, or cable to break under tension. The rope, chain, or cable could break and snap back, causing serious injury.

Do not attempt to pull trailers or other objects with a rope, chain, or cable.



G004046

Figure 7

g004046

With the hitch installed, the multi-purpose tool can be used to move trailers. You can install a ball hitch of proper size for your trailer, or you can use the hitch without a ball to tow trailers with hitches that require a pin for attachment.

Never attach a trailer to the hitch that has a tongue weight greater than the rated lift capacity of the traction unit. Never try to move a trailer on a slope.

When crossing on or near a public road or street, always follow traffic laws and regulations, especially those pertaining to slow moving vehicles. The traction unit and accessories are not designed for use on public roads or streets.

Transport Position

When transporting the attachment, keep it as close to the ground as possible, no more than 15 cm (6 inches) above the lowest position. Tilt it rearward.

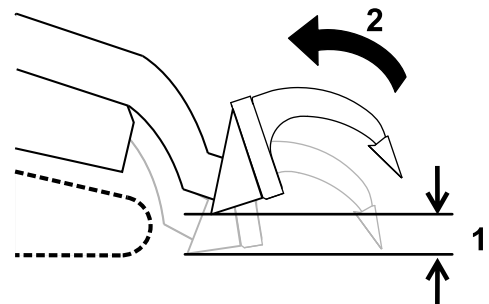


Figure 8

Scarifier teeth shown

g248805

1. No more than 15 cm (6 inches) above the lowest position
2. Tilt the attachment rearward.

Maintenance

Replacing Scarifier Teeth Tips

Service Interval: Every 25 hours—Check the scarifier teeth tips for damage or wear.

Before storage—Check the scarifier teeth tips for damage or wear.

Replace any damaged or worn scarifier teeth tips.

1. Remove the roll pin securing the tip to the end of the tooth and remove the tip (Figure 9).
2. Install a new tip onto the end of the tooth and secure it with the roll pin (Figure 9).

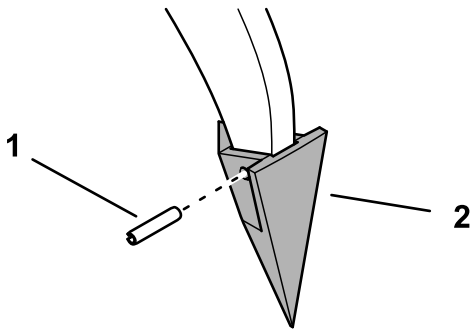


Figure 9

g248808

1. Roll pin

2. Tip

Storage

1. Before long-term storage, wash the attachment with mild detergent and water to remove dirt and grime.
2. Paint all scratched or bare metal surfaces.
Note: Paint is available from your Authorized Service Dealer.
3. Store the attachment in a clean, dry garage or storage area. Cover it to protect it and keep it clean.