



1028 Power Shift[®] Snowthrower

**Model No. 38558 – 9900001 & Up
Model No. 38559 – 9900001 & Up**

Parts Catalog

ORDERING REPLACEMENT PARTS

To order replacement parts, please supply: the part number, the quantity, and the description of each part desired.

Contents

Description	Page	Description	Page
Housing Assembly	1	Traction Drive Assembly	9
Housing Assembly (cont.)	2	28" Auger Gearcase Assembly	
Transmission Assembly No. 66-8030	3	No. 74-1561 (Model 38559 Only)	10
Transmission Assembly No. 66-8030 (cont.) ...	4	Engine Tecumseh	
Engine & Transmission Drive Assembly	5	Model OHSK 100-221605A	11-16
Traction Linkage Assembly	6	Toro Part Number Index	17-21
Handle Assembly	7		
Handle Assembly (cont.)	8		

Note:

Accessories

Description	Model / Parts No.	Description	Model / Parts No.
110 Vac Electric Starter Kit (Model 38558 Only)	Model No. 38039	Snow Cab	Part No. 68-9500
Light Kit (Optional Model No. 38558 Only) (Standard Model No. 38559 Only)	Part No. 66-7941	Weight Kit (Required with Snow Cab)	Part No. 74-1190
Tire Chain Kit (For Std. Axle, Not For Use With Differential Kit	Part No. 63-3040	Drift Breaker	Part No. 66-7970
Differential Kit	Model No. 38038	230 Vac Electric Starter Kit	Model No. 38041

Part Description Abbreviations

Part descriptions in this catalog may include the following abbreviations.

Abbreviation	Meaning	Abbreviation	Meaning
AR	as required	HSBH	hex socket button head
ASM	assembly	HSFH	hex socket flat head
CARR	carriage	HSH	hex socket head
DEG	degrees	HWH	hex washer head
FH	flat head	HWHTF	hex washer head thread forming
GA	gauge	INC	incorporated
HF	hex flange	LH	left hand
HFW	hex flange washer	PH	pan head
HH	hex head	PPH	Phillips pan head
HHF	hex head flange	PTO	power take off
HHST	hex head self tapping	RH	right hand
HJ	hex jam	SFH	slotted fillister head
HOC	height-of-cut	SH	square head
HS	hex socket		

SHWH	slotted hex washer head	TH	truss head
SPH	slotted pan head	TTH	Torx truss head
STD	standard	WH	wing head
TAP	self tapping		

Important Format Explanations

This catalog uses special formats to convey information in illustrations and parts lists. Specifically, one format is used in conjunction with service assemblies and another with quantities associated with reference numbers.

Service Assemblies

Parts within service assemblies have reference numbers in the form $X:Y$. X is the reference number of the service assembly and Y is a sequential number unique to each part within the service assembly.

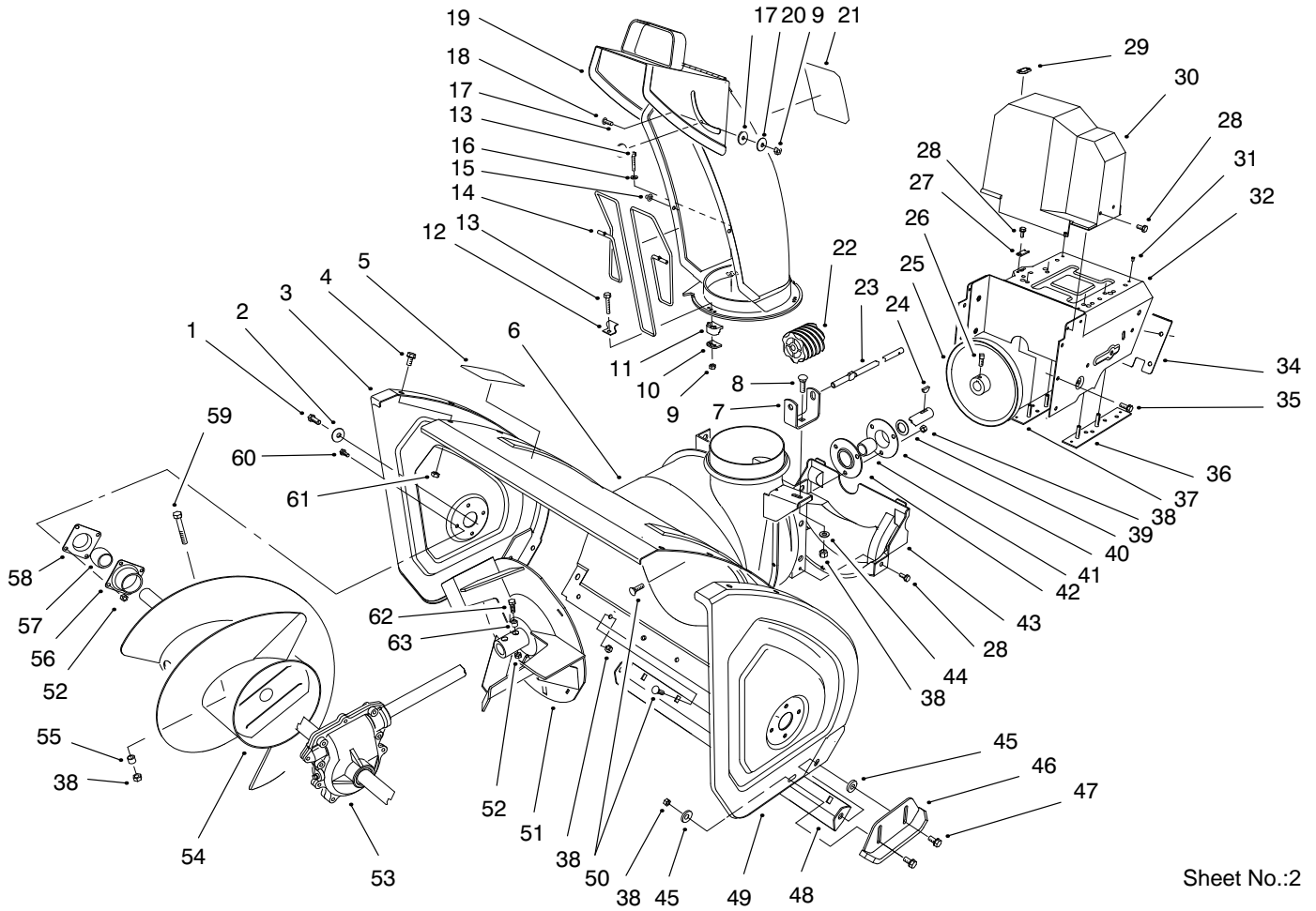
For example, a wheel assembly might be identified by reference number 6, the tire by 6:1, the valve by 6:2, and the wheel by 6:3. When you order the assembly identified by reference number 6, you receive all parts identified by reference numbers 6:1, 6:2, and 6:3. However, you may also order any part individually.

Reference numbers of this type appear in part lists and as callouts in illustrations.

Reference Numbers with Quantities

Illustrations may have a quantity in parentheses next to a reference number, in the form $X (Y)$. X is the reference number. Y in parentheses is the quantity of the part identified by the reference number.

For example, the illustration callout 4 (2) indicates that two parts are used in that instance.

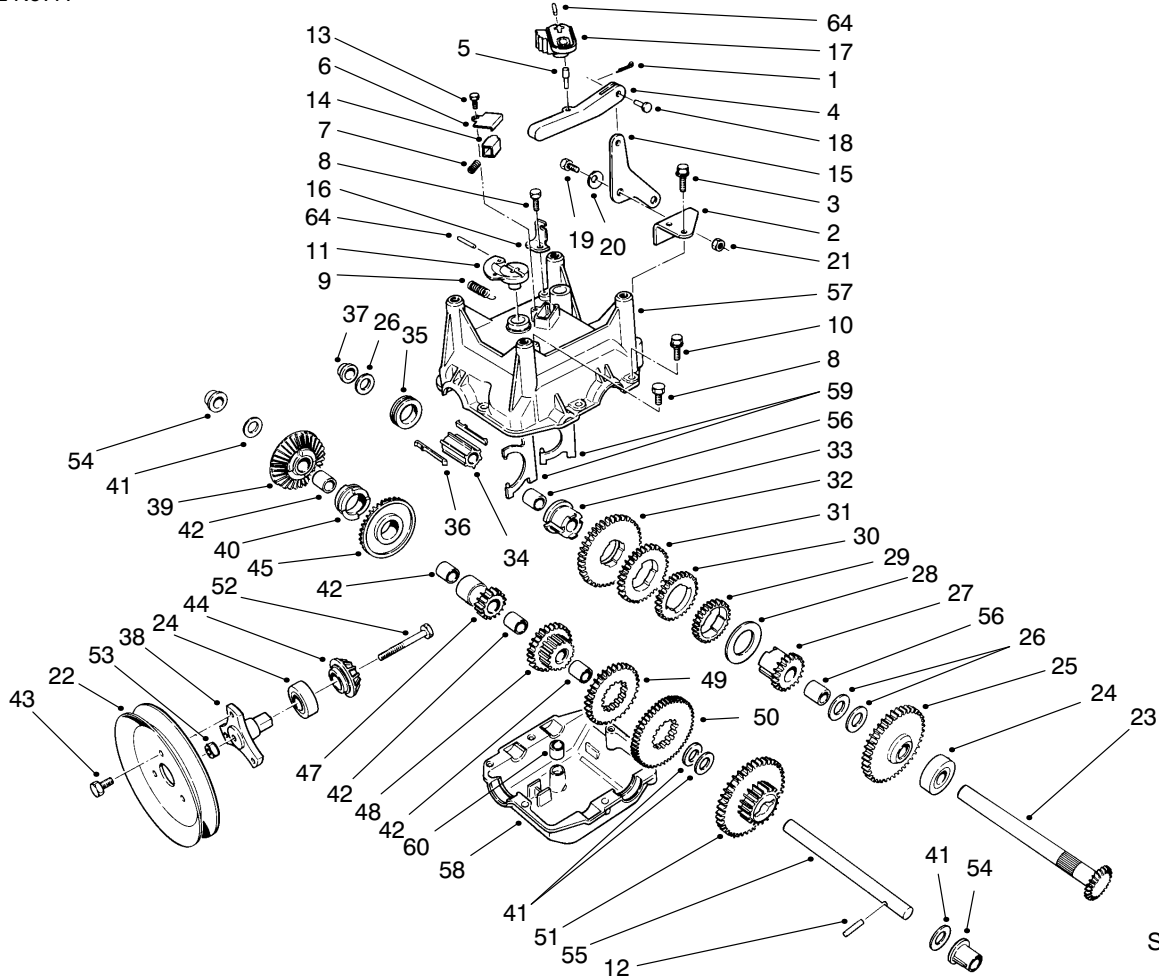


Sheet No.:2

Housing Assembly

Ref. No.	Part No.	Qty.	Description
1	323-4	2	Screw-HH
2	3-0750	2	Washer
3	66-7821-01	1	Plate-Side, RH
4	3234-28	12	Screw-Hfh
5	53-7670	1	Decal-Warning Auger (Model 38558)
5	94-2568	1	Decal-Warning (Model 38559)
6	62-0721-01	1	28" Housing Wa (Red)
7	63-2180	1	Bracket-worm, Chute
8	3230-2	1	Screw-CARR
9	3296-2	4	Nut-Lock
10	63-2670	3	Plate-Retainer, Chute
11	62-1430	3	Retainer-Chute
12	63-3130	1	Clip-Guard Chute
13	3274-13	3	Screw-HSH
14	63-3020	1	Guard-Chute
15	3290-326	2	Nut-Push
16	3256-14	1	Washer-Flat
17	63-2900	2	Washer-Plastic
18	32122-32	1	Screw
19	62-0840-03	1	Chute ASM, Welded
20	3256-61	1	Washer-Flat
21	94-8079	1	Decal-Danger, Discharge (Model 38558)

Ref. No.	Part No.	Qty.	Description
21	94-2559	1	Decal-Danger (Model 38559)
22	62-0820	1	Gear-Worm
23	62-1720	1	Rod-Chute, Lower
24	3257-23	1	Key-Woodruff
25	62-1300	1	Pulley-Impeller
26	3242-4	2	Screw-SQH
27	63-2300	1	Retainer-Cable
28	32144-4	6	Screw-HH
29	63-3290	1	Cover-Cable
30	63-2080	1	Cover-Belt, Upper
31	3269-23	4	Rivet-Pop
32	66-6980-01	1	Engine Frame ASM, Welded
34	62-1440-01	1	Cover-Frame, Engine
35	32144-14	6	Screw-HWH
36	68-4110	1	Plate ASM-Frame, LH, Welded
37	68-4100	1	Plate ASM-Frame, RH, Welded
38	3296-29	15	Nut-Lock
39	252-80	1	Bearing-Thrust
40	26-6110	1	Flange-Cup, Bearing
41	63-3450	1	Bearing-Ball
42	26-6120	1	Flange-Cup, Bearing
43	68-8410	1	Cover-Belt, Lower

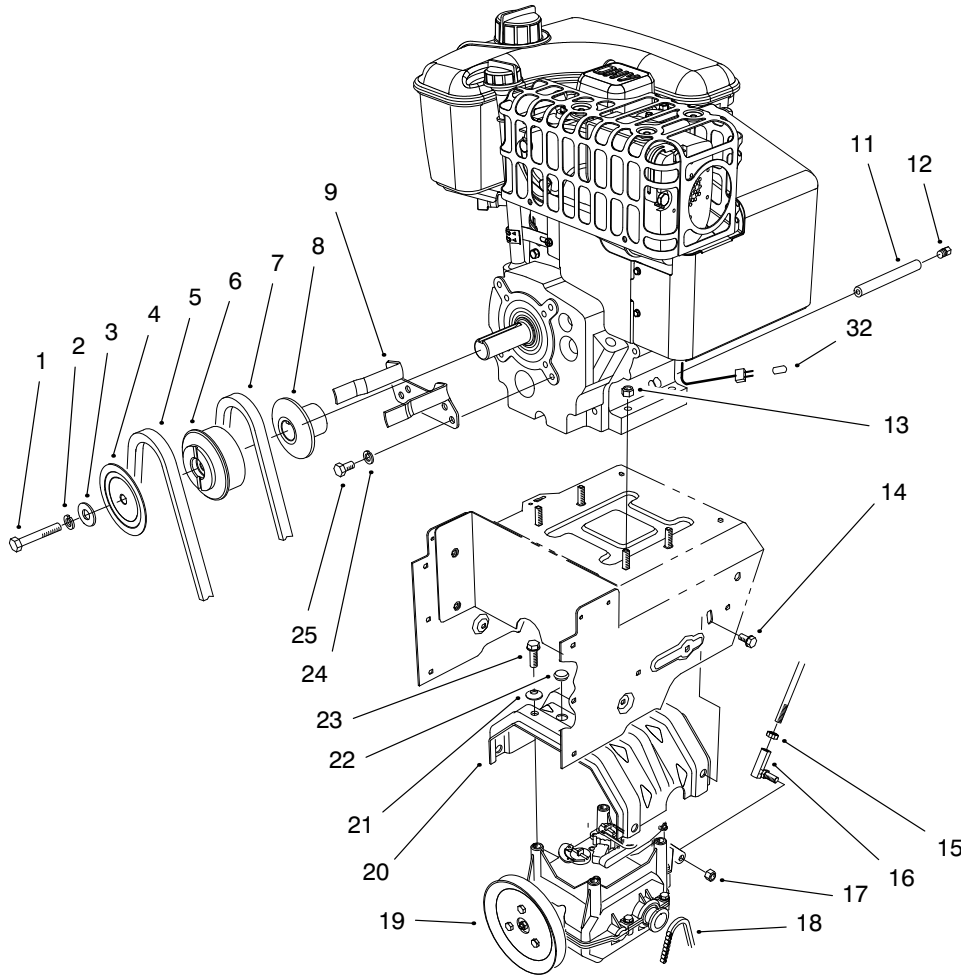


Sheet No.:3

Transmission Assembly No. 66-8030

Ref. No.	Part No.	Qty.	Description
1	3272-1	1	Pin-Cotter
2	62-1190	1	Bracket-Bellcrank
3	32104-95	2	Screw-HWH
4	62-0860	1	Link-Shift, Gear
5	63-2190	1	Pin-Link, Gear Shift
6	62-1690	1	Cover-Detent
7	63-2890	1	Spring-Detent
8	32144-4	2	Screw-HH
9	63-2920	1	Spring-Extension
10	32144-86	6	Screw-HH
11	62-0880	1	Lever
12	32121-106	1	Pin-Spring
13	32104-71	1	Screw-HWH
14	62-1020	1	Button-Detent
15	63-2600	1	Bellcrank
16	62-1740	1	Bracket-Cable, F/R
17	62-0870	1	Lever-Shift, Gear
18	283-3	1	Pin-Clevis
19	63-3410	1	Screw-Shoulder
20	3290-477	1	Washer-Curved
21	3296-42	1	Nut-Lock
22	62-1310	1	Traction-Sheave, Half
23	62-1080	1	Shaft-Output
24	38-7820	2	Bearing-Ball
25	62-0370	1	Gear, 41 T
26	252-59	3	Bearing-Thrust

Ref. No.	Part No.	Qty.	Description
27	62-0340	1	Gear-Sleeve, 19 T
28	63-2280	1	Washer-Thrust
29	62-0250	1	Gear, 29 T
30	62-0200	1	Gear, 27 T
31	62-0220	1	Gear, 34 T
32	62-0240	1	Gear, 45 T
33	62-0320	1	Sleeve-Gear
34	68-4320	1	Sleeve-Shift
35	62-0430	1	Collar-Shift
36	62-0310	2	Key
37	62-1180	1	Bushing-Flange, Output
38	62-0380	1	Hub-Pulley
39	13-3559	1	Gear-Bevel, Rev, 36 T
40	67-5880	1	Collar-Shift
41	257-10	4	Washer-Thrust
42	62-1160	4	Bushing
43	12-3270	3	Screw
44	62-0350	1	Pinion-Bevel
45	67-5870	1	Bevel Gear 36 T
47	62-0500	1	Gear-Bevel, 15 T
48	68-4310	1	Gear, 26 T
49	62-0210	1	Gear, 33 T
50	62-0260	1	Gear, 51 T
51	62-0360	1	Gear, 19/41 T
52	321-15	1	Screw-HH

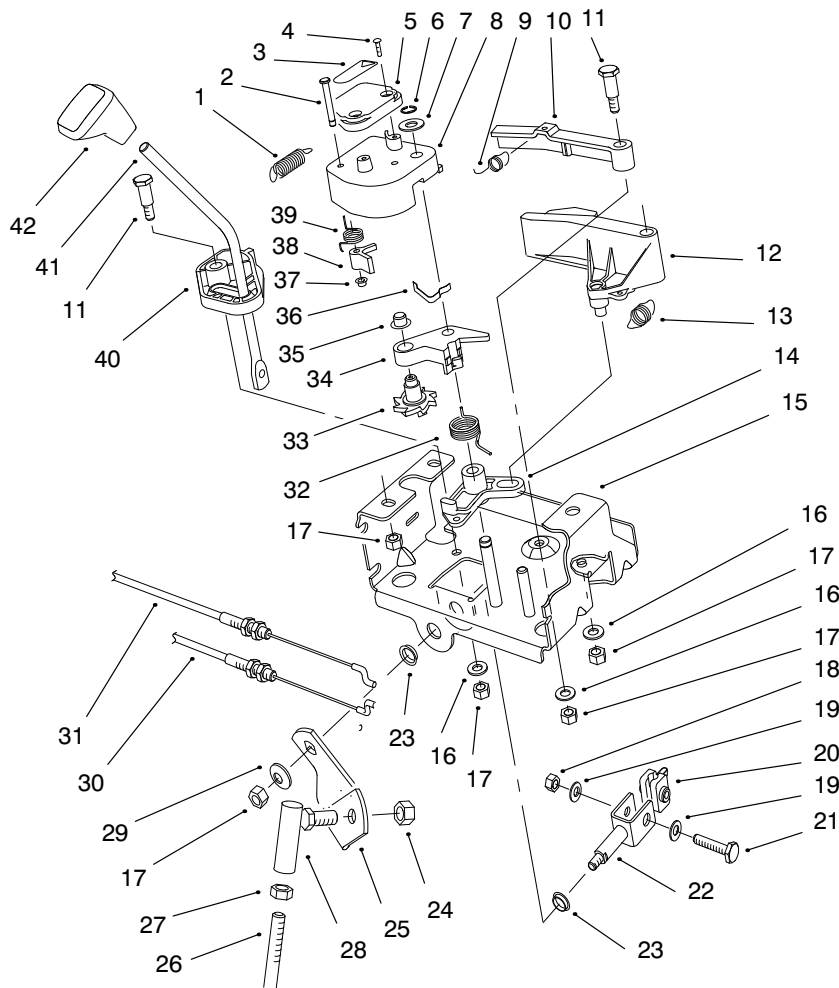


Sheet No.:4

Engine & Transmission Drive Assembly

Ref. No.	Part No.	Qty.	Description
1	3212-8	1	Screw-HH
2	3253-6	1	Washer-Lock
3	3256-41	1	Washer-Flat
4	62-0940	1	Sheave-Half, Impeller
5	63-2962	1	V Belt - Impeller
6	62-0930	1	Pulley-Engine, Center
7	63-2951	1	Traction Belt
8	62-0920	1	Sheave-Half, Traction
9	68-7510-03	1	Belt Guide ASM, Welded
11	289-34	1	Nipple-Pipe
12	288-2	1	Cap-Pipe
13	32128-20	4	Nut-Hex, Flange
14	3234-7	4	Screw-HHF
15	3220-3	1	Nut-Jam
16	78-2920	1	Ball-Joint
17	3296-6	1	Nut-Lock
18	63-2930	1	Chain
19	66-8030	1	Traction Gearcase ASM
20	63-2990-03	1	Transmission Frame
21	3290-461	4	Washer-belleville
22	95-7947	2	Cap-Plug
23	11-0590	4	Screw-Thr'd Form
24	3253-4	2	Washer-Lock

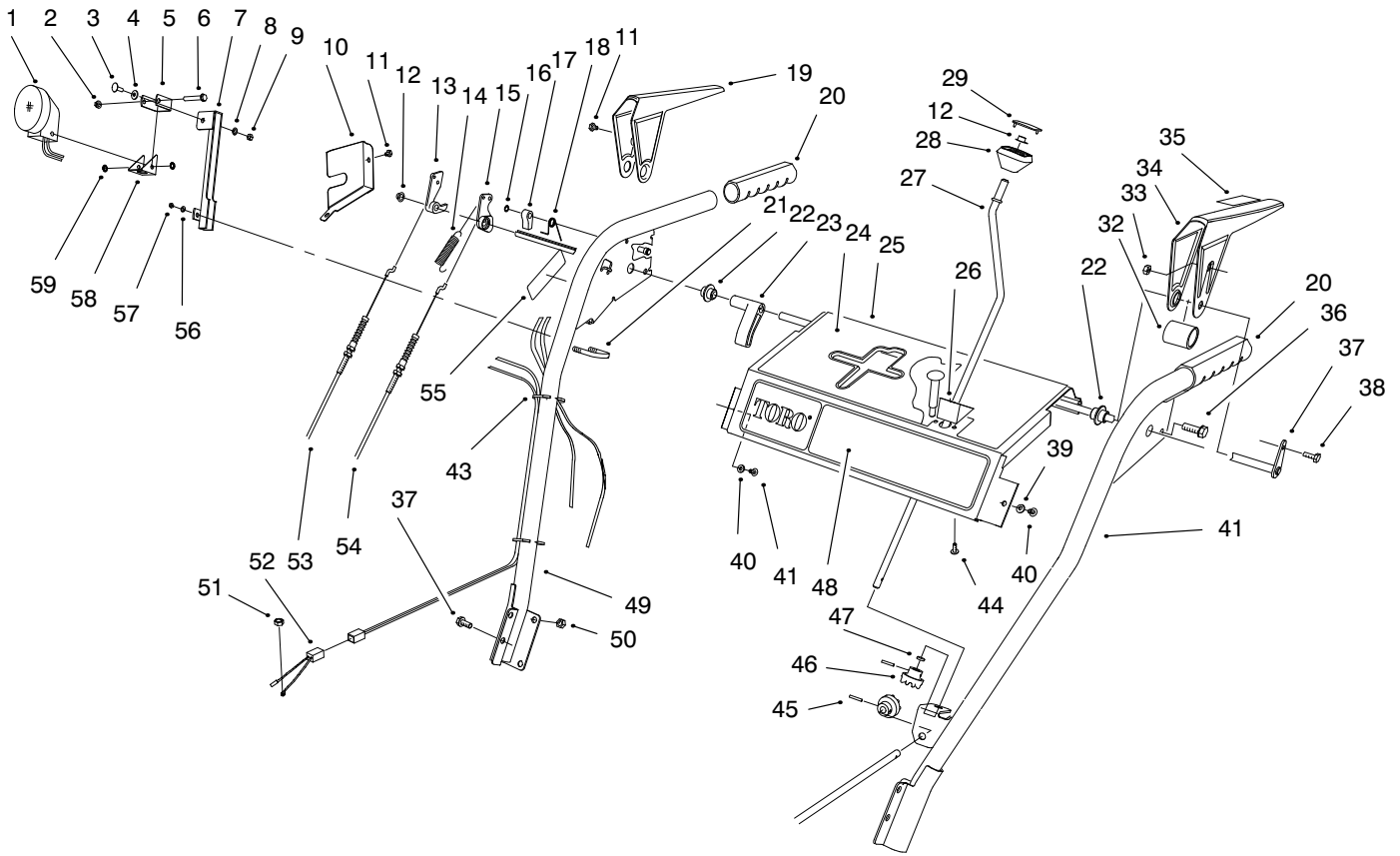
Ref. No.	Part No.	Qty.	Description
25	3210-1	2	Screw-Cap
32	94-2782	1	Cap-Lite Wire



Sheet No.:5

Traction Linkage Assembly

Ref. No.	Part No.	Qty.	Description	Ref. No.	Part No.	Qty.	Description
1	63-2220	1	Extension Spring	25	63-2630	1	Bracket-Shift
2	63-2610	1	Pin-Tang	26	63-2830	1	Rod-Bent Shift, Lower
3	63-2480	1	Decal-No. 2	27	3220-3	1	Nut-Jam
4	94-6961	2	Screw	28	78-2920	1	Ball-Joint
5	62-1140	1	Cover-Latch	29	3290-456	1	Washer-Belleville
6	32120-46	1	Ring-Retaining	30	63-2210	1	Cable-Gearbox
7	257-9	1	Washer-Thrust	31	63-2200	1	Cable-Arm, Latch
8	62-1100	1	Lever Latch	32	63-2270	1	Torsion Spring
9	63-2240	1	Spring-Extension	33	62-0170	1	Wheel-Index
10	62-1700	1	Lever-Lockout	34	62-1110	1	Lever-Wheel, Index
11	63-2650	2	Screw-Shoulder	35	3290-320	1	Retainer-Push On
12	62-1130	1	Lever-Reverse	36	62-1710	1	Spring-Flat
13	63-2230	1	Spring-Extension	37	3290-422	1	Nut-Push
14	62-1120	1	Lever-Reverse, Switch	38	62-0180	1	Tang-Index
15	63-2150-03	1	Control Frame ASM, Welded	39	62-1650	1	Spring-Torsion
16	3256-23	3	Washer-Flat	40	62-1470	1	Base-Lockout
17	3296-29	7	Nut-Lock	41	67-9240	1	Rod-Shift
18	3296-42	1	Nut-Lock	42	62-1290	1	Knob-Shift
19	3256-1	2	Washer-Flat				
20	67-9250	1	Retainer-Rod, Shift				
21	321-9	1	Screw-HH				
22	66-7730	1	Clevis ASM, Welded				
23	256-296	2	Bushing				
24	3296-6	1	Nut-Lock				

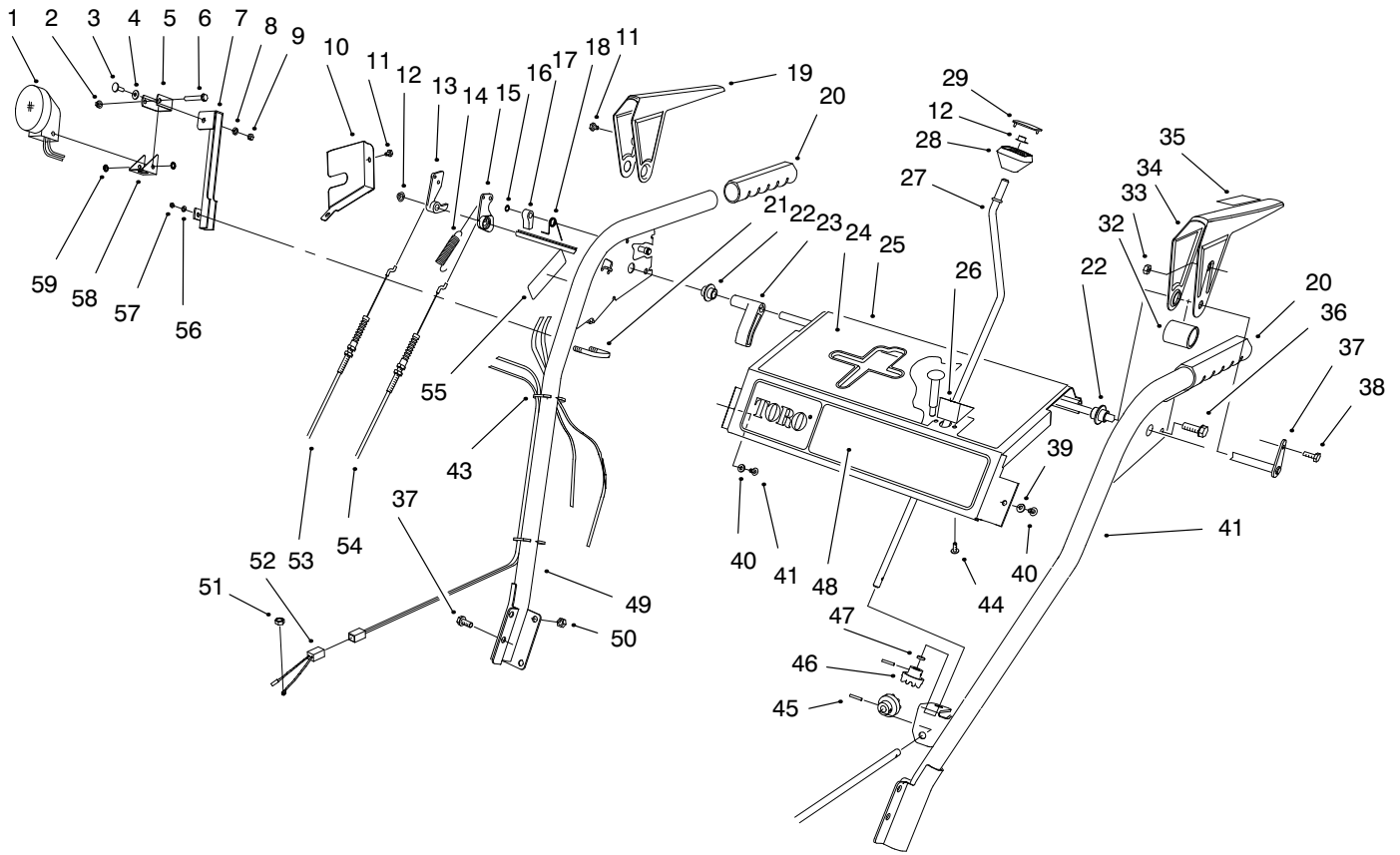


Sheet No.:6

Handle Assembly

Ref. No.	Part No.	Qty.	Description
1	54-9871	1	Headlamp ASM (Model 38559)
2	32128-35	1	Nut-Flange (Model 38559)
3	3231-2	1	Bolt-carriage (Model 38559)
4	3256-26	1	Washer-Flat (Model 38559)
5	218-556	1	Bracket (Model 38559)
6	322-13	1	Screw-Hex Hd (Model 38559)
7	68-7110-03	1	Mount-Light (Model 38559)
8	3253-21	1	Washer-lock (Model 38559)
9	3217-7	1	Nut-Hex (Model 38559)
10	63-2170-03	1	Cover-Lock, Lever
11	2210-250	3	Screw-HH
12	3290-320	2	Retainer-Push On
13	62-0300	1	Tang-Locking
14	88-0810	1	Spring-Extension
15	62-0290	1	Cam-Release
16	32151-66	1	E-Ring-Retainer
17	62-0280	1	Latch-Locking
18	63-2910	1	Spring-Torsion
19	62-1050-03	1	Lever-Traction, RH
20	66-7850	2	Grip-Handle

Ref. No.	Part No.	Qty.	Description
21	68-7140	1	U-Bolt (Model 38559)
22	62-1070	2	Bushing-Lever
23	62-1640	1	Lever-Trip
24	99-3230	1	Decal-Top, Panel (Model 38558)
24	99-3229	1	Decal-Control (Model 38559)
25	99-5970	1	Control Plate ASM, Welded (Model 38558)
25	99-5971	1	Control Plate ASM, Welded (Model 38559)
26	62-1490	1	Plate-Guide
27	63-2160	1	Crank-Rod, Chute
28	62-1320	1	Knob-Control, Chute
29	62-1520	1	Cover-Knob
32	63-3380	1	Spacer-Lever, Traction
33	3296-2	1	Nut-Lock
34	62-1060-03	1	Lever-Traction, LH
35	63-3050	1	Decal-Lever (Model 38558)
36	32144-14	6	Screw-HWH]
37	63-2030	1	Cross Rod ASM, Welded
38	3290-359	1	Screw-HWH
39	3256-14	2	Washer-Flat
40	32104-76	2	Screw-Acorn Slot

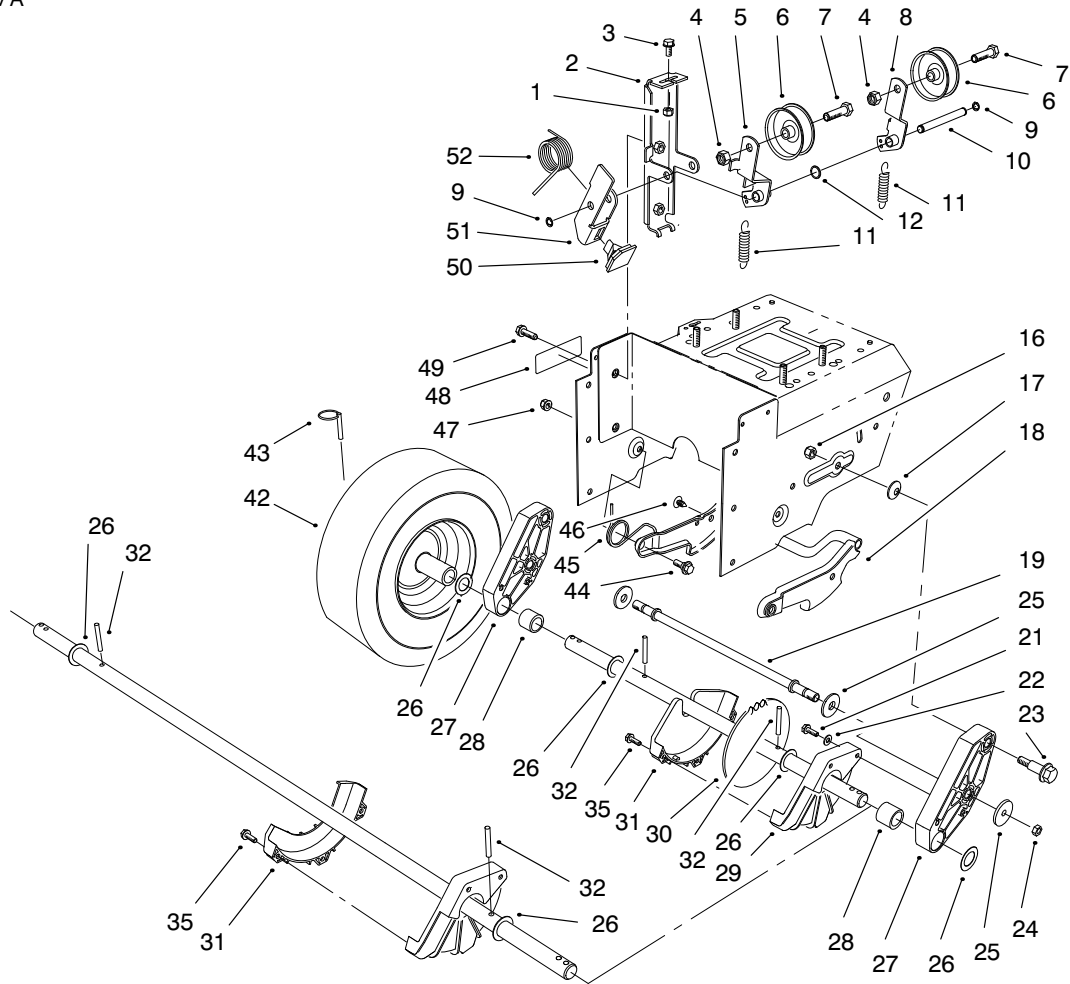


Sheet No.:6

Handle Assembly (cont.)

Ref. No.	Part No.	Qty.	Description
41	66-8091-03	1	LH Handle ASM, 24"-32", Welded
43	3290-378	2	Tie-Cable
44	94-6961	2	Screw
45	32121-50	2	Pin-Spring
46	62-1460	2	Gear-Universal
47	62-1230	1	Washer-Rubber
48	88-0590	1	Decal-Control Panel (1028 P/S)
49	62-1381-03	1	RH Handle ASM, 24"-32", Welded
50	3296-47	4	Nut-Lock
51	3217-6	1	Nut-Hex (Model 38559)
52	54-9810	1	Wire Assembly (Model 38559)
53	63-2700	1	Cable-Impeller
54	63-2710	1	Cable-Traction
55	66-6860	1	Decal-Warning (Model 38558)
55	94-2575	1	Decal-Adjustment (Model 38559)
56	3256-23	2	Washer-Flat (Model 38559)
57	3296-29	3	Nut-Lock (Model 38559)

Ref. No.	Part No.	Qty.	Description
58	218-554	1	Bracket (Model 38559)
59	3255-8	2	Washer-Lock (Model 38559)



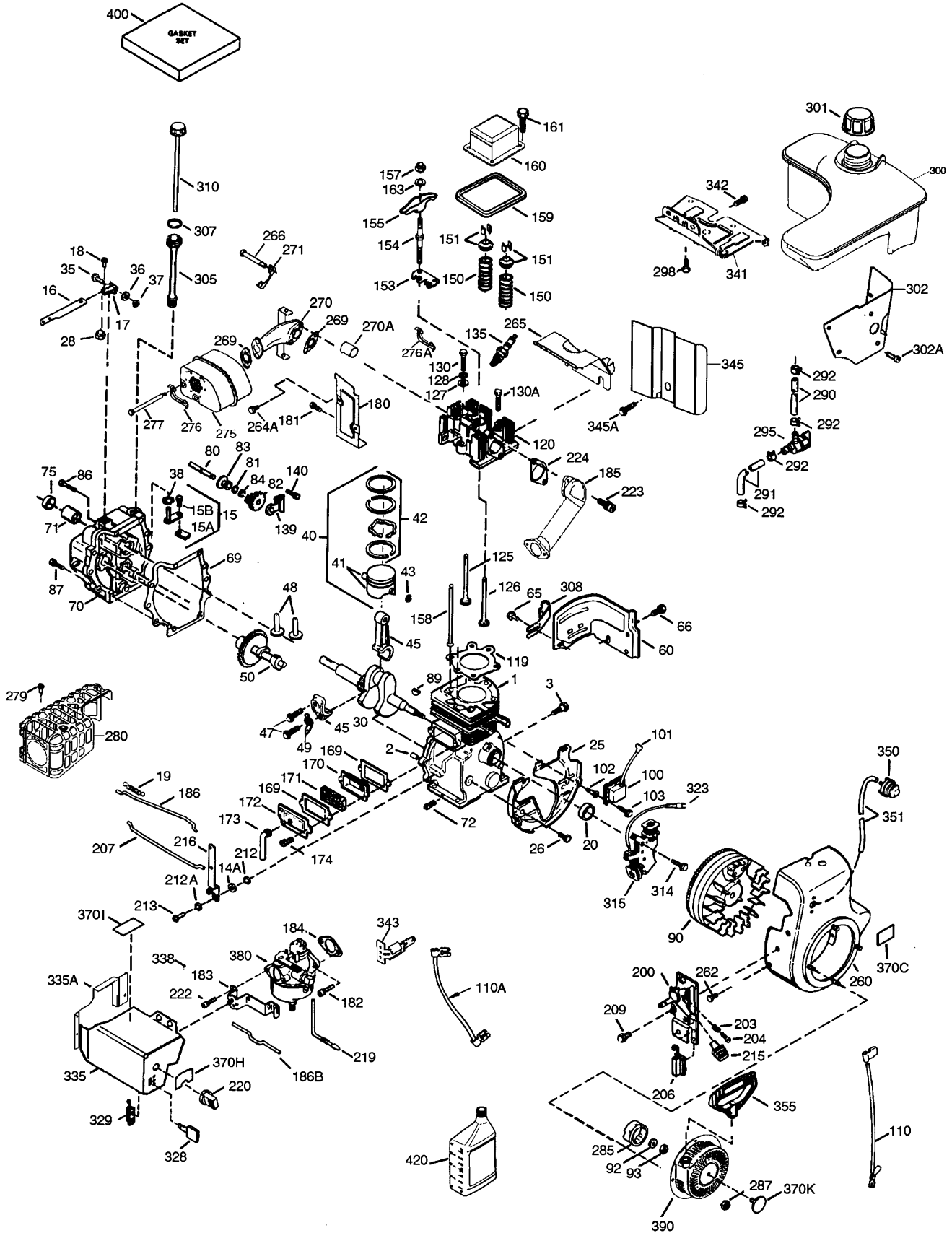
Sheet No.:7

Traction Drive Assembly

Ref. No.	Part No.	Qty.	Description
1	3296-42	1	Nut-Lock
2	63-2850	1	Idler Arm Bracket ASM, Welded
3	3234-13	1	Screw-HHF
4	3296-59	2	Nut-Lock
5	93-8046	1	Impeller Idler Arm ASM, Welded
6	3-4244	2	Pulley-Idler
7	323-7	2	Screw-HH
8	93-8045	1	Traction Idler Arm ASM, Welded
9	32120-46	2	Ring-Retaining
10	62-0970	1	Pin-Idler
11	63-2870	2	Spring-Extension
12	3256-38	1	Washer-Flat
16	3296-39	2	Nut-Lock Ni,
17	3290-461	2	Washer-Belleville
18	62-0470-03	1	Latch W A *B
19	66-7720	1	Rod-Latch
21	32144-4	2	Screw-HH
22	3256-1	2	Washer-Flat
23	62-1330	2	Bolt-Shoulder
24	3296-23	2	Nut-Lock Ni,
25	63-3340	4	Washer-Support
26	252-80	4	Bearing-Thrust
27	66-7740	2	Pivot Arm ASM

Ref. No.	Part No.	Qty.	Description
28	63-2250	2	Axle Bushing
29	62-1010	1	Guard-Chain, LH
30	63-2112	1	Axle ASM
31	62-1000	1	Guard-Chain
32	32121-9	2	Pin-Spring,
35	94-4496	3	Screw-Pan Hd
42	67-9230	2	Wheel & Tire Assembly
43	3290-243	2	Pin-Lynch
44	5-2490	2	Screw-Shoulder
45	63-2740	1	Spring-Latch, Torsion
46	3290-476	1	Fastener-Panel
47	3296-47	2	Nut-Lock
48	66-6860	1	Decal-Warning (Model 38558)
48	94-2575	1	Decal-Adjustment (Model 38559)
49	3234-7	2	Screw-HHF
50	66-8060	1	Pad-Brake, Molded
51	63-2820	1	Brake Arm
52	63-2882	1	Torsion Spring

TECUMSEH ENGINE MODEL OHSK100-221605A



TECUMSEH ENGINE MODEL OHSK110-221605A

Ref. No.	Part No.	Description	No. Used	Ref. No.	Part No.	Description	No. Used
1	35371	Cylinder (Incl. ref.#2 & 20)	1	86	650833	Screw, Hex Washer Powerlok	7
2	27652	Pin - Dowel	2	87	650832	Screw, Hex Washer Powerlok	1
3	650820	Screw - Hex Hd. Shoulder	2	89	32589	Key - Flywheel	1
5	30969	Cap - Oil Drain	1	90	611093	Flywheel (w/Ring Gear)	1
14A	28558	Washer	1	92	650880	Washer - Lock	1
15	30699C	Rod Assembly - Governor (Incl. ref.#15A & 15B)	1	93	650881	Nut - Flywheel	1
15A	30700	Yoke - Governor	1	100	35135	Solid State Assembly	1
15B	650494	Screw - Fil. Hd. Sems	1	101	610118	Cover - Spark Plug	1
16	37255	Lever - Governor	1	102	651024	Stud - Solid State Mounting	2
17	29916	Clamp - Governor Lever	1	103	651007	Screw, Torx Hex Washer Sems	1
18	651028	Screw - Hex Washer Hd.	1	110	35187	Wire - Ground	1
19	36281	Spring - Extension	1	110A	37047	Ground Wire	1
20	35319	Seal - Oil	1	*119	37256	Gasket - Cylinder Head	1
25	36460	Baffle - Blower Housing	1	120	27258	Head - Cylinder	1
26	650561	Screw - Hex Washer Hd.	2	125	36934	Valve - Exhaust, Standard	1
28	30322	Locknut	1		36936	Valve - Exhaust 1/32" oversize	1
30	37272	Crankshaft	1	126	36935	Valve - Intake, Standard	1
35	29826	Screw - Hex Washer Hd.	1		36937	Valve - Intake 1/32" oversize	1
36	29918	Washer - Ext. Tooth Lock	1	127	650691	Washer - Flat	5
37	29216	Nut & Lockwasher - Keps	1	128	650690	Washer - Belleville	3
38	29642	Ring - Retaining	1	130	650697A	Screw	4
40	40011	Piston, Pin & Ring Assy. Std.	1	130A	650990	Screw - Special	2
	40012	Piston, Pin & Ring Assy. .010 oversize	1	135	34645	Spark Plug (RN4C)	1
41	40009	Piston & Pin Assembly Standard (Includes ref.#43)	1	139	33369	Bracket - Governor Gear	1
	40010	Piston & Pin Assembly .010 oversize (Incl. ref.#43)	1	140	650836	Screw - Hex Washer Hd.	2
42	40013	Ring Set, Piston (Standard)	1	150	33507	Spring - Valve	2
	40014	Ring Set, Piston (.010 oversize)	1	151	33508	Cap - Lower Valve Spring	2
43	27888	Retaining Ring, Piston Pin	2	153	35949	Push Rod Guide	1
45	36897	Rod Assembly - Connecting (Incl. ref.#47 & 49)	1	154	650945	Rocker Arm Stud	2
47	651033	Bolt, Connecting Rod	1	155	35950	Rocker Arm	2
48	35313	Lifter - Valve	2	157	650947	Jam Nut	2
49	36896	Dipper - Oil	1	158	35466	Push Rod	2
50	35682A	Camshaft (Mechanical Compression Release)	1	*159	35952	Rocker Arm Cover Gasket	1
60	35316A	Extension - Blower Housing	1	160	35953A	Rocker Arm Cover	1
65	30200	Screw	1	161	30063	Screw - Torx T-30	4
66	30063	Screw - Torx T-30	1	163	650890	Lockwasher	2
*69	35262A	Gasket - Cylinder Cover	1	*169	27896A	Gasket - Breather	2
70	37273	Cover Assembly, Cylinder (Incl. ref.#71, 75 & 80)	1	170	28423	Body - Breather	1
71	35377	Bushing - Cylinder Cover	1	171	28424	Element - Breather	1
72	27642	Oil Drain Plug	1	172	28425	Cover - Breather	1
75	35319	Seal - Oil	1	173	35350	Tube - Breather	1
80	31845	Shaft - Governor	1	174	650128	Screw - Hex Hd. Sems	2
81	30590A	Washer - Flat	1	180	35954	Blower - Housing Extension	1
82	35378	Gear - Governor (Incl. ref.#81)	1	181	30200	Lock Nut	2
83	30588A	Spool - Governor	1	182	650517	Screw	2
84	29193	Ring - Retaining	1	183	34583A	Bracket - Choke	1
				*184	33263	Gasket - Intake Pipe	1
				185	37085	Pipe - Intake	1
				186	37261	Link - Governor	1
				186B	36653	Spring - Choke	1
				200	35702	Bracket Assy. - Control (Incl. Ref.# 203, 204 & 206)	1

Obtain Parts From Your Local Tecumseh Dealer

* Included in Gasket Set 36452 (Ref.# 400).

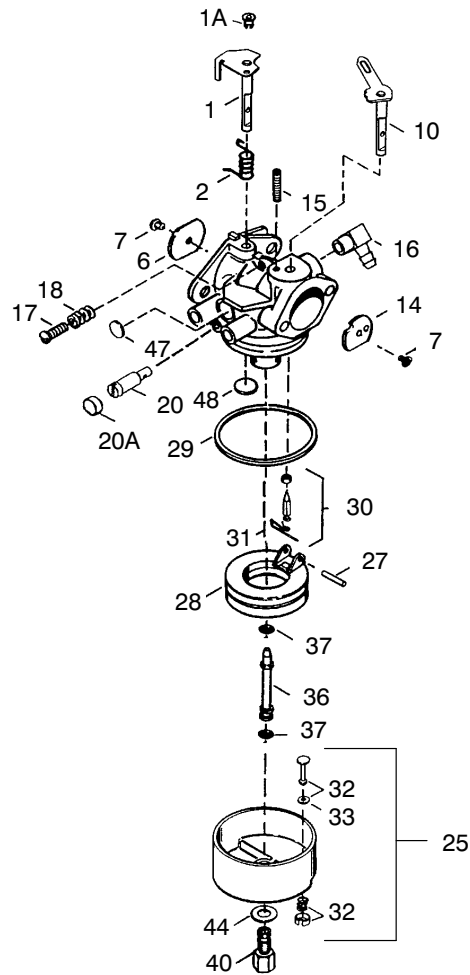
TECUMSEH ENGINE MODEL OHSK110-221605A

Ref. No.	Part No.	Description	No. Used
203	31342	Spring – Compression	1
204	651029	Screw – Fil Hd.	1
206	610973	Terminal Assembly	1
207	37262	Link – Governor to Throttle	1
209	650821	Screw – Hex Washer Hd.	2
212	30773A	Bushing	1
212A	36288	Bushing	1
213	651056	Screw	1
215	35440	Knob – Control	1
216	37260	Bellcrank Lever	1
219	35689	Rod – Choke	1
220	35438	Knob – Choke	1
222	28820	Screw – Fil. Hd. Sems	2
223	650971	Screw – Torx Fil Hd. Sems	2
*224	33515A	Gasket – Carburetor	1
260	37092A	Housing – Blower	1
262	29747B	Screw – Hex Hd. Sems	2
264A	650738	Cover – Cylinder Head	1
265	37086	Cover – Cylinder Head	1
266	650876	Screw	2
*269	35762	Exhaust Gasket	2
270	37263	Exhaust Manifold	1
270A	35829A	Exhaust Port Liner	1
271	3593	Locking Plate	1
275	37264	Muffler	1
276	35348	Plate – Lock	1
276A	31588	Locking Plate	1
277	650877	Screw	2
279	651011	Screw	3
280	37265	Heat Shield	1
281	33013	Cover – Starter Hole	1
282	650760	Screw – Pan Hd. Taptite	1
285	35985B	Hub – Starter	1
287	29752	Nut & Lockwasher	4
290	30962	Line – Fuel	1
291	29774	Line – Fuel	1
292	26460	Clamp – Fuel Line	4

Ref. No.	Part No.	Description	No. Used
295	35857	Valve – Fuel Shut-Off	1
298	650665	Screw – Hex Washer Hd.	2
300	37099	Tank Assembly, Fuel (Incl. Ref.# 292 & 301)	1
301	36246	Cap – Fuel Tank	1
302	37098	Fuel Tank Extension	1
302A	650821	Screw	3
305	35574	Tube – Oil Fill	1
307	35499	O-Ring	1
308	35539	Clip – Fill Tube	1
310	35700	Dipstick – Oil	1
314	650873	Screw	1
315	61111	Alternator Coil (18 watt) (Incl. #323)	1
323	611118	Terminal	1
328	35062	Ignition Key	2
329	610973	Terminal	1
335	37096	Cover – Carburetor (Front)	1
335A	37087	Carburetor Cover	1
338	650821	Screw	4
341	37093	Bracket – Fuel Tank	1
342	792028	Screw – Hex Washer Hd.	2
343	35079	Key Switch Bracket	1
345	37097	Heat Baffle	1
345A	650821	Screw	1
350	570682A	Primer Assembly	1
351	32180C	Line – Primer	1
355	590574	Starter Handle – Mitten Grip	1
370C	36501	Primer Decal	1
370H	37226	Choke Decal	1
370I	37119	Warning Decal	1
370K	36695	Starter Decal	1
380	640169	Carburetor (Incl. Ref.# 184)	1
390	590749	Starter – Rewind	1
400	37257	Gasket Set (Incl. items marked *)	1
420	730226	SAE 5W30 4-Cycle Oil (Qt.)	1

Obtain Parts From Your Local Tecumseh Dealer

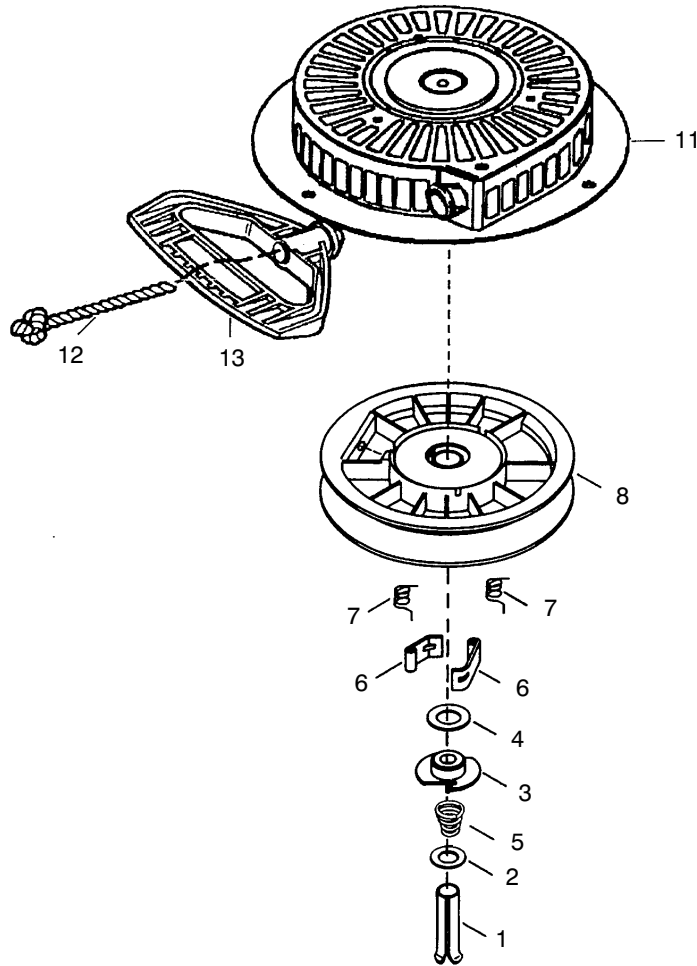
* Included in Gasket Set 37257 (Ref.# 400).



TECUMSEH CARBURETOR NO. 640169

Ref. No.	Part No.	Description	No. Used	Ref. No.	Part No.	Description	No. Used
1	632777	Throttle Shaft & Lever Assy	1	27	631024	Shaft – Float	1
1A	36288	Throttle Link Bushing	1	28	632019	Float	1
2	631970	Throttle Return Spring	1	29	631028	O–Ring – Float Bowl to Body	1
6	640109	Throttle Shutter	1	30	631021	Inlet Needle – Seat & Spring	
7	650506	Screw – Throttle & Choke Shutter	2			Clip (Incl. Ref. #31)	1
10	632778	Choke & Shaft Lever Assy	1	31	631022	Spring Clip	1
14	631753	Choke Shutter	1	32	27136A	Bowl Drain Assy (Incl. Ref. #33)	1
15	630735	Choke Positioning Spring	1	33	27554	Drain Plunger – Gasket	1
16	632527	Fitting – Fuel	1	36	640013	Main Nozzle Tube	1
17	651025	Screw – Idle Speed	1	37	632547	O–Ring – Main Nozzle Tube	2
18	683766	Spring – Tension	1	40	640170	High Speed Bowl Nut	1
20	640027	Screw – Idle Restrictor	1	44	27110	Bowl Nut Washer	1
20A	640053	Cap – Idle Restrictor Screw	1	47	630748	Welch Plug – Idle Mixing	1
25	632594A	Float Bowl (Incl. Ref. #32 & 33)	1	48	631027	Welch Plug – Vent	1

Obtain Parts From Your Local Tecumseh Dealer

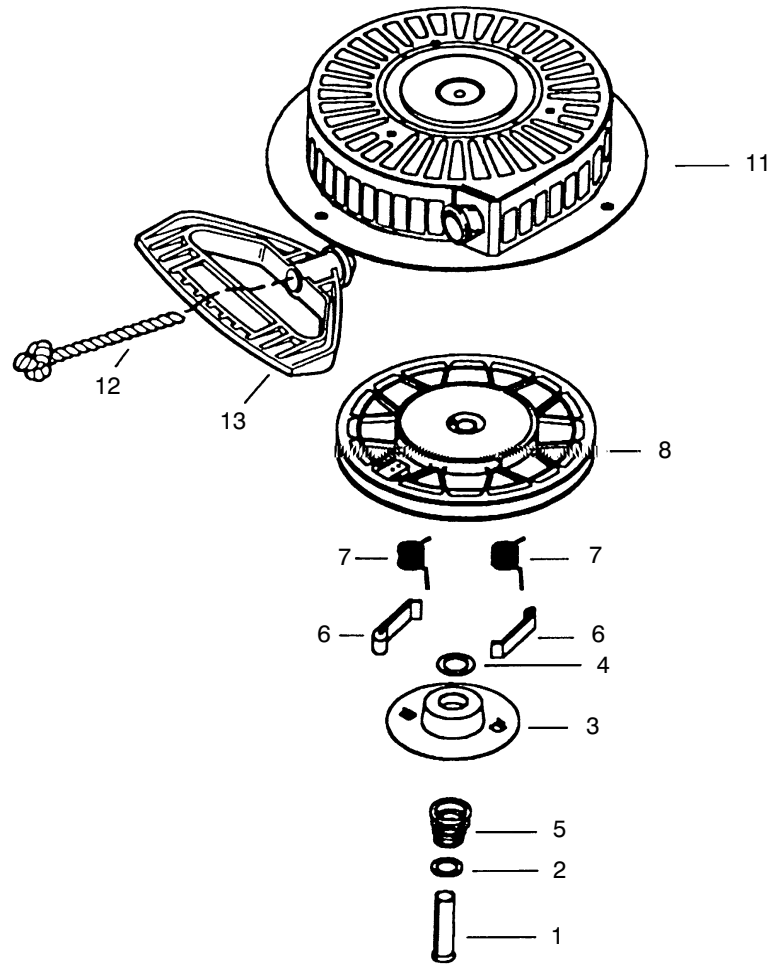


TECUMSEH STARTER NO. 590749

Ref. No.	Part No.	Description	No. Used
1	590599A	Spring Pin (Incl. Ref. #4)	1
2	590600	Washer	1
3	590679	Retainer	1
4	590601	Washer	1
5	590678	Brake Spring	1
6	590680	Starter Dog	2
7	590412	Dog Spring	2

Ref. No.	Part No.	Description	No. Used
8	590682	Pulley & Rewind Spring Assembly	1
11	590750	Starter Housing Assembly	1
12	590535	Starter Rope (Length 98" x 9/64" dia.)	1
13	590574	Mitten Grip Handle (Not included with starter)	1

Obtain Parts From Your Local Tecumseh Dealer



TECUMSEH STARTER NO. 590733 (OPTIONAL)

Ref. No.	Part No.	Description	No. Used	Ref. No.	Part No.	Description	No. Used
1	590599A	Pin - Spring (Incl. Ref. #4)	1	7	590699	Spring - Dog	2
2	590600	Washer	1	8	590709	Pulley & Rewind Spring Assembly	1
3	590696	Retainer	1	11	590734	Starter Housing Assembly	1
4	590601	Washer	1	12	590535	Rope - Starter	1
5	590697	Spring - Brake	1	‡13	590574	Handle - Mitten Grip	1
6	590698	Dog - Starter	2				

Obtain Parts From Your Local Tecumseh Dealer

‡ Not Included In Starter Assembly

Toro Part Number Index

Part No.	Page No.	Ref. No.	Qty.	Description
3-0750	1	2	2	Washer
3-4244	9	6	2	Pulley-Idler
5-2490	9	44	2	Screw-Shoulder
7-0045	10	1:2	2	Seal-Oil
11-0590	5	23	4	Screw-Thr'd Form
12-3270	3	43	3	Screw
13-3559	3	39	1	Gear-Bevel, Rev, 36 T
20-0980	2	57	2	Bearing
20-0990	2	56	2	Flange-Bearing, Front
20-1000	2	58	2	Flange-Bearing, Rear
25-5090	2	55	1	Spacer-Hub, Auger
26-6110	1	40	1	Flange-Cup, Bearing
26-6120	1	42	1	Flange-Cup, Bearing
29-9570	4	60	1	Bushing-Yoke
37-6560	10	12	1	Bushing-Input
38-7820	3	24	2	Bearing-Ball
52-2861	2	45	4	Washer
53-7670	1	5	1	Decal-Warning Auger (Model 38558)
54-9810	8	52	1	Wire Assembly (Model 38559)
54-9871	7	1	1	Headlamp ASM (Model 38559)
62-0120	10	4	1	Gear-Helical
62-0170	6	33	1	Wheel-Index
62-0180	6	38	1	Tang-Index
62-0200	3	30	1	Gear, 27 T
62-0210	3	49	1	Gear, 33 T
62-0220	3	31	1	Gear, 34 T
62-0240	3	32	1	Gear, 45 T
62-0250	3	29	1	Gear, 29 T
62-0260	3	50	1	Gear, 51 T
62-0280	7	17	1	Latch-Locking
62-0290	7	15	1	Cam-Release
62-0300	7	13	1	Tang-Locking
62-0310	3	36	2	Key
62-0320	3	33	1	Sleeve-Gear
62-0330	4	55	1	Shaft-Intermediate
62-0340	3	27	1	Gear-Sleeve, 19 T
62-0350	3	44	1	Pinion-Bevel
62-0360	3	51	1	Gear, 19/41 T
62-0370	3	25	1	Gear, 41 T
62-0380	3	38	1	Hub-Pulley
62-0430	3	35	1	Collar-Shift
62-0470-03	9	18	1	Latch W A *B
62-0480	4	58	1	Gearcase-Lower, Casing
62-0490	4	57	1	Gearcase-Upper, Casing
62-0500	3	47	1	Gear-Bevel, 15 T
62-0721-01	1	6	1	28" Housing Wa (Red)
62-0820	1	22	1	Gear-Worm
62-0840-03	1	19	1	Chute ASM, Welded
62-0860	3	4	1	Link-Shift, Gear
62-0870	3	17	1	Lever-Shift, Gear
62-0880	3	11	1	Lever
62-0920	5	8	1	Sheave-Half, Traction
62-0930	5	6	1	Pulley-Engine, Center
62-0940	5	4	1	Sheave-Half, Impeller
62-0970	9	10	1	Pin-Idler
62-1000	9	31	1	Guard-Chain
62-1010	9	29	1	Guard-Chain, LH
62-1020	3	14	1	Button-Detent
62-1040	4	59	2	Yoke-Shift
62-1050-03	7	19	1	Lever-Traction, RH
62-1060-03	7	34	1	Lever-Traction, LH
62-1070	7	22	2	Bushing-Lever
62-1080	3	23	1	Shaft-Output

*Not Illustrated

Toro Part Number Index (cont.)

Part No.	Page No.	Ref. No.	Qty.	Description
62-1100	6	8	1	Lever-Latch
62-1110	6	34	1	Lever-Wheel, Index
62-1120	6	14	1	Lever-Reverse, Switch
62-1130	6	12	1	Lever-Reverse
62-1140	6	5	1	Cover-Latch
62-1150	10	13	1	Bushing-Worm
62-1160	3	42	4	Bushing
62-1170	4	54	2	Bushing-Intermediate
62-1180	3	37	1	Bushing-Flange, Output
62-1190	3	2	1	Bracket-Bellcrank
62-1230	8	47	1	Washer-Rubber
62-1290	6	42	1	Knob-Shift
62-1300	1	25	1	Pulley-Impeller
62-1310	3	22	1	Traction-Sheave, Half
62-1320	7	28	1	Knob-Control, Chute
62-1330	9	23	2	Bolt-Shoulder
62-1350	4	56	2	Bushing-Output
62-1381-03	8	49	1	RH Handle ASM, 24"-32", Welded
62-1430	1	11	3	Retainer-Chute
62-1440-01	1	34	1	Cover-Frame, Engine
62-1460	8	46	2	Gear-Universal
62-1470	6	40	1	Base-Lockout
62-1490	7	26	1	Plate-Guide
62-1520	7	29	1	Cover-Knob
62-1531	10	8	1	Shaft-Auger
62-1640	7	23	1	Lever-Trip
62-1650	6	39	1	Spring-Torsion
62-1690	3	6	1	Cover-Detent
62-1700	6	10	1	Lever-Lockout
62-1710	6	36	1	Spring-Flat
62-1720	1	23	1	Rod-Chute, Lower
62-1740	3	16	1	Bracket-Cable, F/R
63-2030	7	37	1	Cross Rod ASM, Welded
63-2080	1	30	1	Cover-Belt, Upper
63-2112	9	30	1	Axle ASM
63-2150-03	6	15	1	Control Frame ASM, Welded
63-2160	7	27	1	Crank-Rod, Chute
63-2170-03	7	10	1	Cover-Lock, Lever
63-2190	3	5	1	Pin-Link, Gear Shift
63-2200	6	31	1	Cable-Arm, Latch
63-2210	6	30	1	Cable-Gearbox
63-2220	6	1	1	Extension Spring
63-2230	6	13	1	Spring-Extension
63-2240	6	9	1	Spring-Extension
63-2250	9	28	2	Axle Bushing
63-2270	6	32	1	Torsion Spring
63-2280	3	28	1	Washer-Thrust
63-2300	1	27	1	Retainer-Cable
63-2480	6	3	1	Decal-No. 2
63-2600	3	15	1	Bellcrank
63-2610	6	2	1	Pin-Tang
63-2630	6	25	1	Bracket-Shift
63-2650	6	11	2	Screw-Shoulder
63-2670	1	10	3	Plate-Retainer, Chute
63-2700	8	53	1	Cable-Impeller
63-2710	8	54	1	Cable-Traction
63-2740	9	45	1	Spring-Latch, Torsion
63-2820	9	51	1	Brake Arm
63-2830	6	26	1	Rod-Bent Shift, Lower
63-2850	9	2	1	Idler Arm Bracket ASM, Welded
63-2870	9	11	2	Spring-Extension
63-2882	9	52	1	Torsion Spring
63-2890	3	7	1	Spring-Detent

*Not Illustrated

Toro Part Number Index (cont.)

Part No.	Page No.	Ref. No.	Qty.	Description
63-2900	1	17	2	Washer-Plastic
63-2910	7	18	1	Spring-Torsion
63-2920	3	9	1	Spring-Extension
63-2930	5	18	1	Chain
63-2951	5	7	1	Traction Belt
63-2962	5	5	1	V Belt - Impeller
63-2990-03	5	20	1	Transmission Frame
63-3020	1	14	1	Guard-Chute
63-3050	7	35	1	Decal-Lever (Model 38558)
63-3130	1	12	1	Clip-Guard Chute
63-3290	1	29	1	Cover-Cable
63-3340	9	25	4	Washer-Support
63-3380	7	32	1	Spacer-Lever, Traction
63-3410	3	19	1	Screw-Shoulder
63-3450	1	41	1	Bearing-Ball
66-6860	8	55	1	Decal-Warning (Model 38558)
66-6860	9	48	1	Decal-Warning (Model 38558)
66-6980-01	1	32	1	Engine Frame ASM, Welded
66-7720	9	19	1	Rod-Latch
66-7730	6	22	1	Clevis ASM, Welded
66-7740	9	27	2	Pivot Arm ASM
66-7761-01	2	48	1	Scraper Blade Wa (Red)
66-7810	10	10	1	Shaft-Impeller
66-7821-01	1	3	1	Plate-Side, RH
66-7831-01	2	49	1	Plate-Side, LH
66-7850	7	20	2	Grip-Handle
66-7920-03	2	51	1	4 Blade Impeller Wa (Black)
66-8010	2	63	2	Spacer-Hub, Impeller
66-8030	5	19	1	Traction Gearcase ASM
66-8060	9	50	1	Pad-Brake, Molded
66-8091-03	8	41	1	LH Handle ASM, 24"-32", Welded
67-5870	3	45	1	Bevel Gear 36 T
67-5880	3	40	1	Collar-Shift
67-9230	9	42	2	Wheel & Tire Assembly
67-9240	6	41	1	Rod-Shift
67-9250	6	20	1	Retainer-Rod, Shift
68-4100	1	37	1	Plate ASM-Frame, RH, Welded
68-4110	1	36	1	Plate ASM-Frame, LH, Welded
68-4310	3	48	1	Gear, 26 T
68-4320	3	34	1	Sleeve-Shift
68-7110-03	7	7	1	Mount-Light (Model 38559)
68-7140	7	21	1	U-Bolt (Model 38559)
68-7451-03	2	54	1	RH Auger Wa 28" (Black)
68-7461-03	2	54	1	LH Auger Wa 28" (Black)
68-7510-03	5	9	1	Belt Guide ASM, Welded
68-8410	1	43	1	Cover-Belt, Lower
74-1440-01	2	46	2	Skid ASM, Welded
74-1540	10	1	1	ASM-Gearcase LH
74-1550	10	5	1	ASM-Gearcase RH
74-1561	2	53	1	Auger Gearcase ASM
78-2920	5	16	1	Ball-Joint
78-2920	6	28	1	Ball-Joint
88-0590	8	48	1	Decal-Control Panel (1028 P/S)
88-0810	7	14	1	Spring-Extension
93-8045	9	8	1	Traction Idler Arm ASM, Welded
93-8046	9	5	1	Impeller Idler Arm ASM, Welded
94-2559	1	21	1	Decal-Danger (Model 38559)
94-2568	1	5	1	Decal-Warning (Model 38559)
94-2575	9	48	1	Decal-Adjustment (Model 38559)
94-2575	8	55	1	Decal-Adjustment (Model 38559)
94-2782	5	32	1	Cap-Lite Wire
94-4496	9	35	3	Screw-Pan Hd
94-6961	6	4	2	Screw

*Not Illustrated

Toro Part Number Index (cont.)

Part No.	Page No.	Ref. No.	Qty.	Description
94-6961	8	44	2	Screw
94-8079	1	21	1	Decal-Danger, Discharge (Model 38558)
95-7947	5	22	2	Cap-Plug
99-3229	7	24	1	Decal - Control (Model 38559)
99-3230	7	24	1	Decal-Top, Panel (Model 38558)
99-5970	7	25	1	Control Plate ASM, Welded (Model 38558)
99-5971	7	25	1	Control Plate ASM, Welded (Model 38559)
218-554	8	58	1	Bracket (Model 38559)
218-556	7	5	1	Bracket (Model 38559)
2210-250	7	11	3	Screw-HH
252-59	3	26	3	Bearing-Thrust
252-71	10	2	2	Washer-Thrust
252-76	10	15	1	Bearing-Thrust
252-78	10	14	2	Washer-Thrust
252-80	1	39	1	Bearing-Thrust
252-80	9	26	4	Bearing-Thrust
253-149	10	11	1	Seal-Oil
256-237	10	1:1	2	Bushing
256-296	6	23	2	Bushing
257-9	6	7	1	Washer-Thrust
257-10	3	41	4	Washer-Thrust
281-1	10	18	1	Plug-square Head Pipe
283-3	3	18	1	Pin-Clevis
288-2	5	12	1	Cap-Pipe
289-34	5	11	1	Nipple-Pipe
321-3	2	60	8	Screw-HH,
321-9	6	21	1	Screw-HH
321-15	3	52	1	Screw-HH
321-44	2	62	2	Screw-HHF
322-12	2	59	2	Screw-HH,
322-13	7	6	1	Screw-Hex Hd (Model 38559)
323-4	1	1	2	Screw-HH
323-7	9	7	2	Screw-HH
3210-1	5	25	2	Screw-Cap
3212-8	5	1	1	Screw-HH
3217-6	8	51	1	Nut-Hex (Model 38559)
3217-7	7	9	1	Nut-Hex (Model 38559)
3220-3	5	15	1	Nut-Jam
3220-3	6	27	1	Nut-Jam]
3230-2	1	8	1	Screw-CARR
3230-23	2	50	10	Screw-CARR
3234-5	2	47	4	Screw-HHF
3234-7	5	14	4	Screw-HHF
3234-7	9	49	2	Screw-HHF
3234-13	9	3	1	Screw-HHF
3234-28	1	4	12	Screw-Hfh
3242-4	1	26	2	Screw-SQH
3253-4	5	24	2	Washer-Lock
3253-6	5	2	1	Washer-Lock
3255-8	8	59	2	Washer-Lock (Model 38559)
3256-1	6	19	2	Washer-Flat
3256-1	9	22	2	Washer-Flat
3256-14	1	16	1	Washer-Flat
3256-14	7	39	2	Washer-Flat
3256-23	2	44	1	Washer-Flat
3256-23	6	16	3	Washer-Flat
3256-23	8	56	2	Washer-Flat (Model 38559)
3256-26	7	4	1	Washer-Flat (Model 38559)
3256-38	9	12	1	Washer-Flat
3256-41	5	3	1	Washer-Flat
3256-61	1	20	1	Washer-Flat
3257-10	10	9	1	Key-Woodruff
3257-23	1	24	1	Key-Woodruff

*Not Illustrated

Toro Part Number Index (cont.)

Part No.	Page No.	Ref. No.	Qty.	Description
3269-23	1	31	4	Rivet-Pop
3272-1	3	1	1	Pin-Cotter
3274-13	1	13	3	Screw-HSH
3290-243	9	43	2	Pin-Lynch
3290-320	6	35	1	Retainer-Push On
3290-320	7	12	2	Retainer-Push On
3290-326	1	15	2	Nut-Push
3290-359	7	38	1	Screw-HWH
3290-378	8	43	2	Tie-Cable
3290-422	6	37	1	Nut-Push
3290-456	6	29	1	Washer-Belleville
3290-461	9	17	2	Washer-Belleville
3290-476	9	46	1	Fastener-Panel
3290-477	3	20	1	Washer-Curved
3296-2	1	9	4	Nut-Lock
3296-2	7	33	1	Nut-Lock
3296-6	5	17	1	Nut-Lock
3296-6	6	24	1	Nut-Lock
3296-23	9	24	2	Nut-Lock Ni,
3296-29	1	38	15	Nut-Lock
3296-29	6	17	7	Nut-Lock
3296-29	8	57	3	Nut-Lock (Model 38559)
3296-39	9	16	2	Nut-Lock Ni,
3296-42	2	52	10	Nut-Lock
3296-42	3	21	1	Nut-Lock
3296-42	6	18	1	Nut-Lock
3296-42	9	1	1	Nut-Lock
3296-47	8	50	4	Nut-Lock
3296-47	2	61	12	Nut-Lock
3296-47	9	47	2	Nut-Lock
3296-59	9	4	2	Nut-Lock
32104-71	3	13	1	Screw-HWH
32104-76	7	40	2	Screw-Acorn Slot
32104-95	3	3	2	Screw-HWH
32120-46	6	6	1	Ring-Retaining
32120-46	9	9	2	Ring-Retaining
32121-9	9	32	2	Pin-Spring,
32121-50	8	45	2	Pin-Spring
32121-106	3	12	1	Pin-Spring
32121-120	4	64	2	Pin-Spring
32122-32	1	18	1	Screw
32128-20	5	13	4	Nut-Hex, Flange
32128-32	4	53	1	Nut-Hex, Flange
32128-35	7	2	1	Nut-Flange (Model 38559)
32144-4	1	28	6	Screw-HH
32144-4	3	8	2	Screw-HH
32144-4	9	21	2	Screw-HH
32144-14	1	35	6	Screw-HWH
32144-14	7	36	6	Screw-HWH]
32144-86	3	10	6	Screw-HH
32144-110	10	17	9	Screw-HWHTF
32151-33	10	16	1	Ring-Snap
32151-66	7	16	1	E-Ring-Retainer