



Power Sweep™

Blower

Model No. 51544—89000001 & Up

Operator's Manual


Safety

IMPORTANT SAFETY INSTRUCTIONS

When using an electrical appliance, basic precautions should always be followed, including the following:

Read All Instructions Before Using This Appliance

WARNING—To reduce the risk of fire, electric shock or injury, follow these safety instructions.

To assure maximum safety, best performance, and to gain knowledge of the appliance, it is essential that you or any other operator of the appliance read and understand the contents of this manual before operating the appliance. Pay particular attention to the safety alert symbol  which means **CAUTION, WARNING OR DANGER** — “personal safety instruction.” Read and understand the instruction because it has to do with safety. **FAILURE TO COMPLY WITH INSTRUCTION MAY RESULT IN PERSONAL INJURY, RISK OF FIRE OR ELECTRICAL SHOCK.**

- Do not leave the appliance when plugged in. Unplug from outlet when not in use and before servicing.
- Do not allow appliance to be used as a toy. Do not use near children or pets. Do not let children use the appliance.
- Use only as described in this manual. Use only manufacturer’s recommended attachments.
- Do not use with damaged cord or plug. If appliance is not working as it should, has been dropped, damaged, left outdoors, or dropped into water, return it to a service dealer.
- Do not pull or carry by cord, use cord as a handle, close a door on cord, or pull cord around sharp edges or corners. Keep cord away from heated surfaces.
- Do not unplug by pulling on cord. To unplug, grasp the plug, not the cord.
- Do not handle plug or appliance with wet hands.

Symbol Glossary

Safety alert triangle — symbol within triangle indicates a hazard



Safety alert symbol



- Do not put any object into openings. Do not use with any opening blocked; keep free of dust, lint, hair, and anything that may reduce air flow.
- **DRESS PROPERLY.** Do not wear loose clothing or jewelry. Pin up long hair. Be aware of the position of the blower and the air inlets during operation. Loose clothing, jewelry and hair can be drawn into the inlets (Fig. 1) and may result in personal injury. Always wear substantial footwear and long pants.
- Turn off all controls before unplugging.
- Use extra care when cleaning on stairs.
- Do not use to vacuum up flammable or combustible liquids, such as gasoline, or use in areas where they may be present.
- This appliance is provided with double insulation. Use only identical replacement parts. See instructions for Servicing of Double-Insulated Appliances.”
- Do not vacuum anything that is burning or smoking, such as cigarettes, matches, or hot ashes.
- Do not use without vac bag or proper attachments in place.

SAVE THESE INSTRUCTIONS

Sound Pressure Level

This unit has a sound pressure at the operator’s ear of 82 dB(A), based on measurements of identical machines per Directive 81/1051/EEC.

Sound Power Level

This unit has a sound power level of 94 LwA, based on measurements of identical machines per Directive 79/113/EEC.

Vibration Level

This unit has a maximum hand-arm vibration level of 2.5 m/s², based on measurements of identical machines per EN 1033.

Thrown or flying objects — Whole body exposure



Keep dry



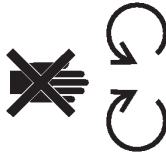
Read operator's manual



Consult technical manual for proper service procedures



Do not open or remove safety shields while engine is running



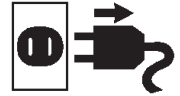
Wear eye protection



Electrical shock/electrocution



Disconnect power



Severing of fingers or hand—impeller blade



Assembly

Note: Refer to Figures section at the back of the manual.

Note: Always **turn off unit** and **unplug** from electrical outlet before adding or switching attachments.

Blower

1. Slide tube onto blower outlet until tabs on tube snap into latch (Fig. 2).

Note: Blower tube must be attached to housing when operating in the blower mode.

Note: Inlet cover must be securely locked into position, activating interlock switch, before blower will operate. Pointer on cover will be aligned with pointer on housing when cover is correctly locked in position (Fig. 3 & 4).

Note: Blower is shipped with inlet cover installed.

CAUTION

POTENTIAL HAZARD

- Motor impeller rotates for a few seconds after blower is turned off.

WHAT CAN HAPPEN

- Rotating impeller can cut or injure fingers.

HOW TO AVOID THE HAZARD

- Never remove inlet cover when motor is operating or when unit is plugged in.

Before Starting

Securing Extension Cord

Use only an extension cord recommended for outdoor use.

! WARNING

POTENTIAL HAZARD

- Contact with water while operating unit could cause electric shock.

WHAT CAN HAPPEN

- Electric shock can cause injury or death.

HOW TO AVOID THE HAZARD

- Don't handle plug or appliance with wet hands or while standing in water.
- Use only an extension cord recommended for outdoor use.

1. Form a loop in extension cord and insert it through slot in rear of blower housing (Fig. 5).
2. Secure extension cord in cord lock (Fig. 6).

Note: Do not unplug extension cord by pulling on cord. To unplug, grasp the plug, not the cord.

! WARNING

POTENTIAL HAZARD

- The extension cord may not be fully connected to unit's plug.

WHAT CAN HAPPEN

- A loosely connected extension cord could lead to overheating and cause a fire.

HOW TO AVOID THE HAZARD

- Make sure the extension cord is fully connected to unit's plug and **ALWAYS USE THE CORD LOCK FEATURE** to ensure that cord remains secured during operation (Fig. 5 & 6).

Operation

This appliance is intended for residential use only.

! CAUTION

POTENTIAL HAZARD

- Debris can be thrown by unit in operator's or bystander's direction.

WHAT CAN HAPPEN

- Flying debris can cause serious personal injury to operator or bystanders.

HOW TO AVOID THE HAZARD

- Always wear safety goggles or other suitable eye protection, long pants and shoes while operating unit.
- Never operate unit near bystanders or pets.
- Use extra care when cleaning debris from stairs.

Starting/Stopping (Fig. 7)


1. To turn unit on, move switch to the 'I' position.
2. To turn unit off, move switch to the 'O' position.

Maintenance

Impeller Replacement

If a loss of performance is detected while operating blower, unplug unit, remove inlet cover, and check impeller blades for wear. If blades are severely worn, see your Authorized TORO Service Dealer for a new impeller.

Servicing Double-insulated Appliance

In a double-insulated appliance, two systems of insulation are provided instead of grounding. No grounding means is provided on a double-insulated appliance, nor should a means for grounding be added to the appliance. Servicing a double-insulated appliance requires extreme care and knowledge of the system, and should be done only by qualified service personnel. Replacement parts for a double-insulated appliance must be identical to the parts they replace. A double-insulated appliance is marked with the words "DOUBLE INSULATION" or "DOUBLE INSULATED." The symbol (square within a square)  may also be marked on the appliance.

Troubleshooting

PROBLEM	POSSIBLE CAUSE	CORRECTIVE ACTION
Unit won't run or stops running	<ol style="list-style-type: none">1. Unit not plugged in2. On/off switch in "off" position3. Inlet cover or vacuum tube incorrectly installed or removed4. Blown fuse or tripped circuit breaker5. Faulty extension cord	<ol style="list-style-type: none">1. Plug in unit2. Turn to "on"3. Secure cover or vacuum tube4. Replace fuse or reset breaker5. Replace cord
Unit seems to be low on power	<ol style="list-style-type: none">1. Impeller is worn	<ol style="list-style-type: none">1. Replace impeller

TORO AUSTRALIA POWER EQUIPMENT WARRANTY

Subject to the warranty condition below, this tool (hereinafter called "the product") is warranted by Toro Australia (hereinafter called "the Company") to be free from defects in material or workmanship for a period of 24 months from the date of original purchase covering both parts and labour. Under the terms of this warranty, the repair or replacement of any part shall be the opinion of the Company or its authorised agent. Should service become necessary during the warranty period, the owner should contact the Authorised Toro Retailer from whom the product was purchased, or the nearest Company Branch Office. In order to obtain warranty service, the owner must present the sales docket and Warranty Certificate to confirm date of purchase. This product is sold by the dealer or agent as principal, and the dealer has no authority from the Company to give any additional warranty or guarantee on the Company's behalf except as herein contained or herein referred to.

Warranty Conditions

This warranty applies provided the product has been used in accordance with the manufacturer's recommendations under normal use and reasonable

care (in the opinion of the Company), and such warranty does not cover damage, malfunction or failure resulting from misuse, neglect, abuse or use for a purpose for which it was not designed or is not suited; and no repairs, alterations or modifications have been attempted by other than an Authorised Service Agent. This guarantee will not apply if the tool is damaged by accident or if repairs arise from normal wear and tear.

The Company accepts no additional liability pursuant to this warranty for the costs of travelling or transportation of the product to and from the service dealer or agent – which costs are not included in this warranty.

Certain legislation, including the Trade Practices Act, 1974 (as amended) and other state and territorial laws give rights to the buyer and impose liability on the seller in certain circumstances. Nothing herein shall have the effect of excluding, restricting or modifying any condition, warranty, right or liability imposed, to the extent only that such exclusion, restriction or modification would render any term herein void.

Toro Australia Pty Limited

A.C.N. 001 310 443 Incorporated in S.A.

Adelaide: 53 Howards Road, Beverley, SA 5009
131 588

Brisbane: Unit 2, 480 Nudgee Road, Hendra
QLD 4011 (07) 3268 1385

Perth: Unit 3, 21 Ledger Road, Balcatta WA 6021
(08) 9478 3773

Sydney: Unit 4, 148-308 James Ruse Drive
Parramatta NSW 2150 (02) 9687 2366

Melbourne: 59 Woodlands Drive, Braeside,
VIC 3195 (03) 9580 7355

This Warranty Form should be retained by the customer at all times

For your record and to assist in establishing date of purchase (necessary for in-warranty service), please keep your purchase docket and this form completed with the following particulars:

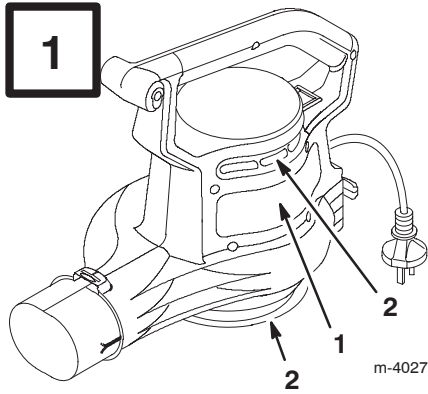
Purchasing from: _____

Address of Dealer: _____

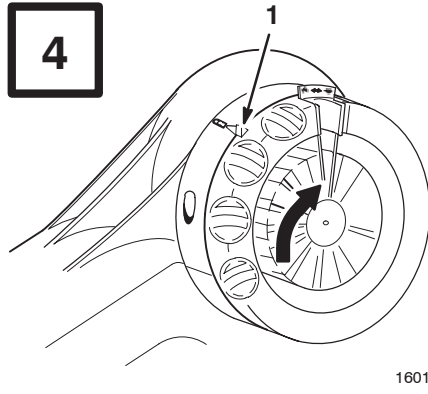
Date: _____ Model No. _____ Serial No. _____

Present this form with your purchase docket when warranty service is required.

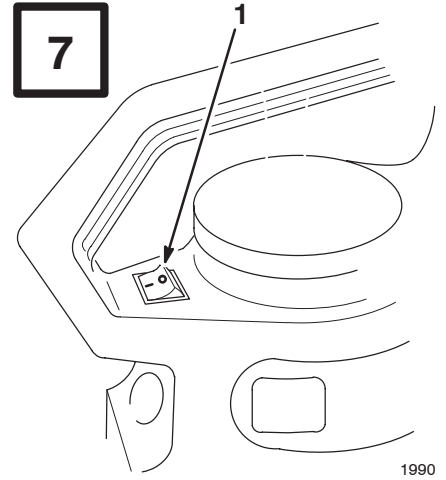
Figures



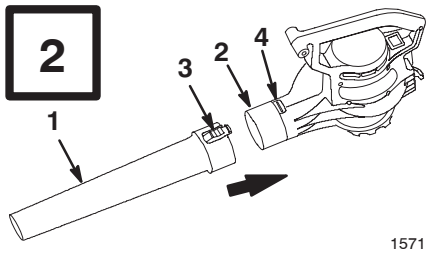
- 1. Model and serial number decal
- 2. Air inlet



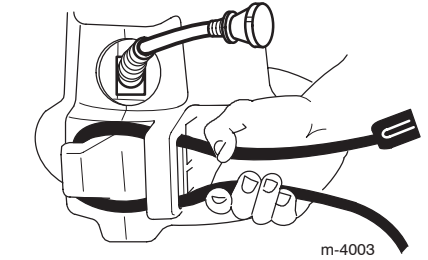
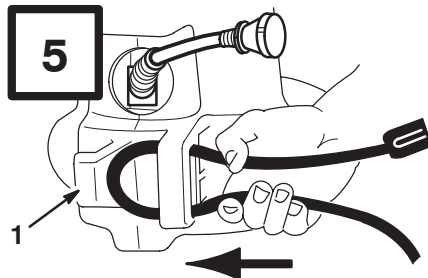
- 1. Pointers aligned in lock position



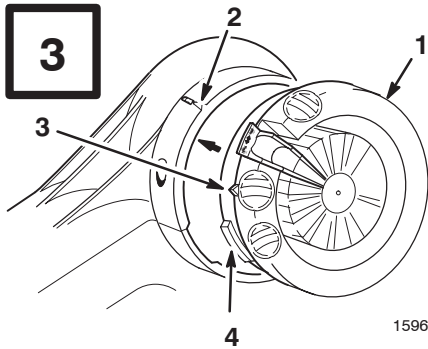
- 1. Switch



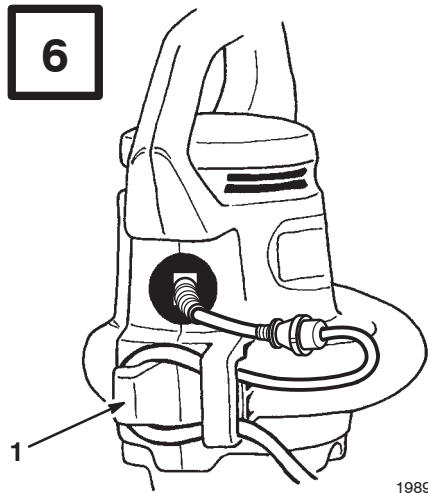
- 1. Blower tube
- 2. Blower housing outlet
- 3. Tab
- 4. Latch



- 1. Cord lock



- 1. Inlet cover
- 2. Housing pointer
- 3. Cover pointer
- 4. Tab



- 1. Cord lock

