



**724**

**Snowthrower**

Model No. 38073-9900001 & Up

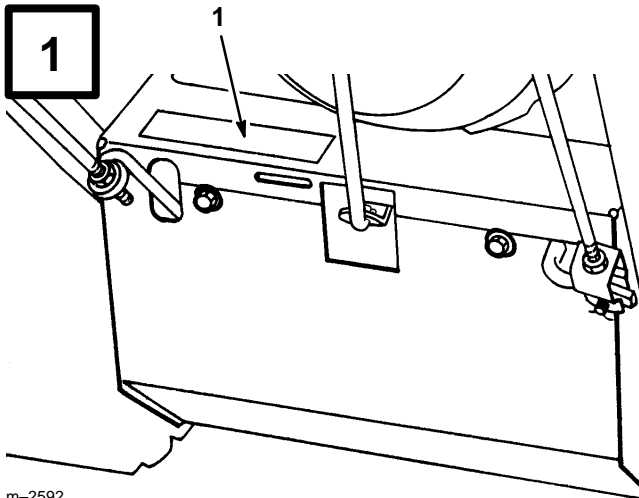
**724**

**Déneigeuse**

Modèle No. 38073-9900001 et suivants

**Operator's Manual**  
**Manuel de l'Utilisateur**

# Figures



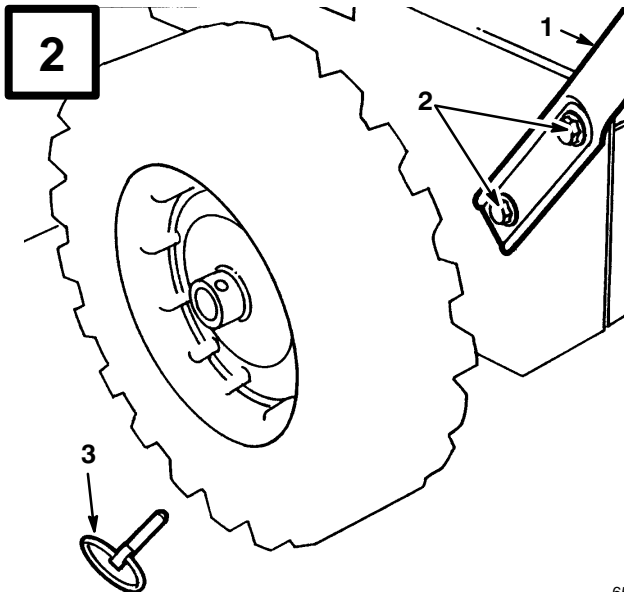
m-2592

## English

1. Model and serial number decal

## Français

1. Décalcomanie de numéros de modèle et de série



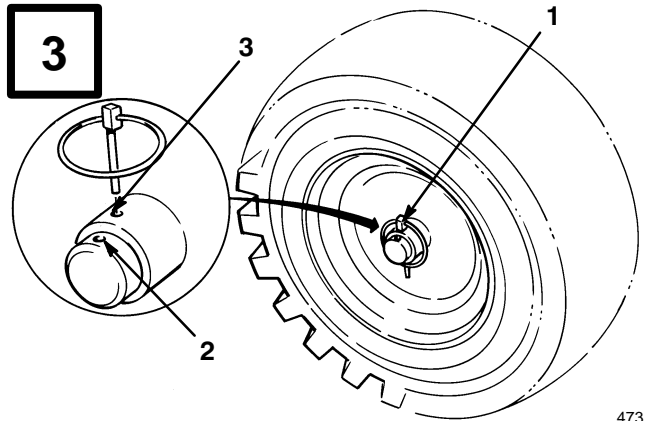
653

## English

1. Handle
2. Capscrews and curved washers
3. Axle pin

## Français

1. Mancheron
2. Vis à collerette et rondelles bombées
3. Goupille d'essieu



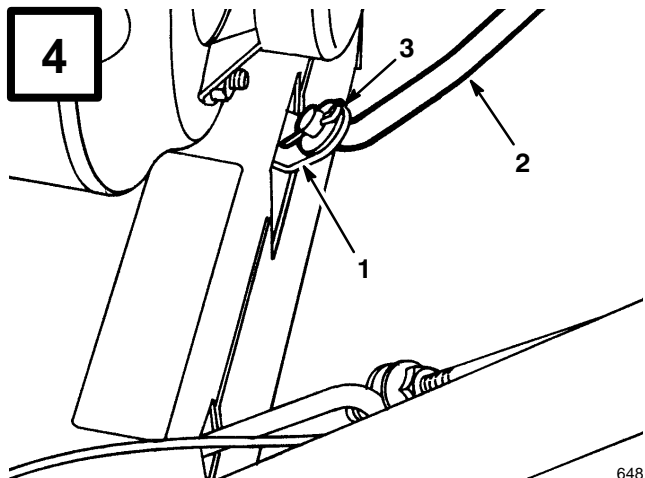
473

## English

1. Axle pin
2. Outer axle hole
3. Inner axle hole and wheel hub

## Français

1. Goupille d'essieu
2. Trou extérieur de l'essieu
3. Trou intérieur de l'essieu et moyeu



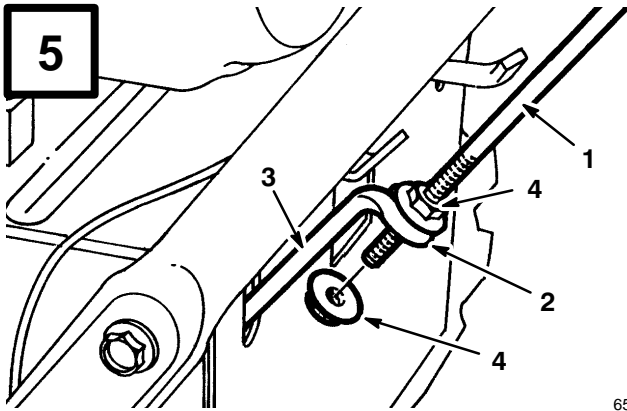
648

## English

1. Speed selector arm
2. Speed selector rod
3. Flat washer and cotter pin

## Français

1. Bras de changement de vitesse
2. Tige de changement de vitesse
3. Rondelle plate et goupille fendue



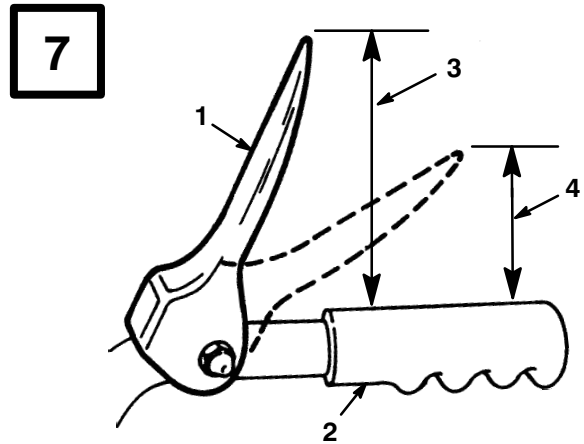
654

**English**

- |                 |                       |
|-----------------|-----------------------|
| 1. Traction rod | 3. Lower traction rod |
| 2. Loop         | 4. Flange nuts        |

**Français**

- |                     |                                |
|---------------------|--------------------------------|
| 1. Tige de traction | 3. Tige de traction inférieure |
| 2. Boucle           | 4. Ecrus à collerette          |



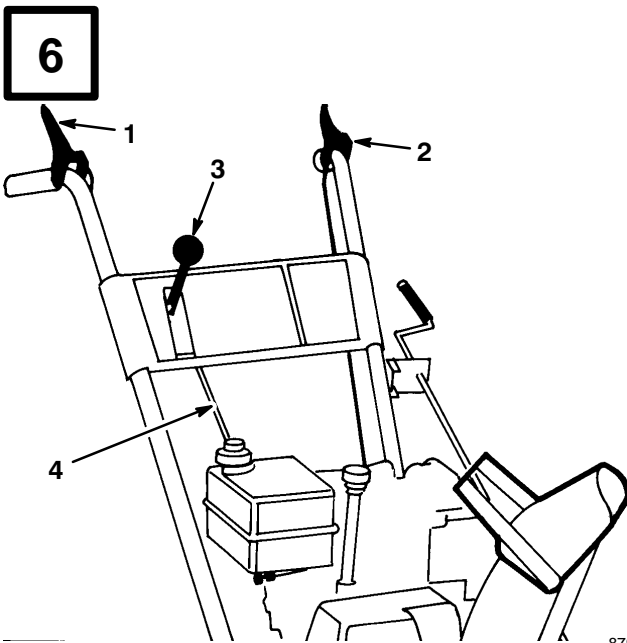
665

**English**

- |                           |   |
|---------------------------|---|
| 1. Traction control lever | 3. Approximately 4 <sup>3</sup> / <sub>8</sub> inches |
| 2. Handgrip               | 4. One to two inches                                  |

**Français**

- |                                    |                         |
|------------------------------------|-------------------------|
| 1. Manette de commande de traction | 3. Environ 11 cm (4,3") |
| 2. Poignée                         | 4. 2,5 à 5 cm (1 à 2")  |



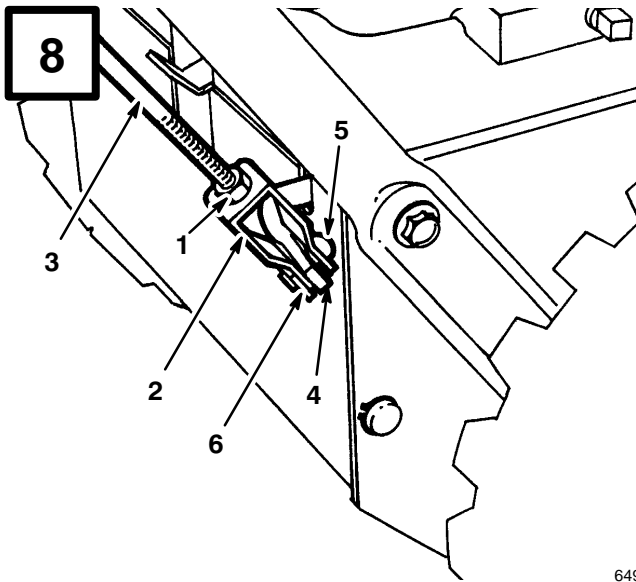
879

**English**

- |                           |                       |
|---------------------------|-----------------------|
| 1. Auger control lever    | 3. Speed selector     |
| 2. Traction control lever | 4. Speed selector rod |

**Français**

- |                                    |                                  |
|------------------------------------|----------------------------------|
| 1. Manette de commande de tarière  | 3. Changement de vitesse         |
| 2. Manette de commande de traction | 4. Tige de changement de vitesse |



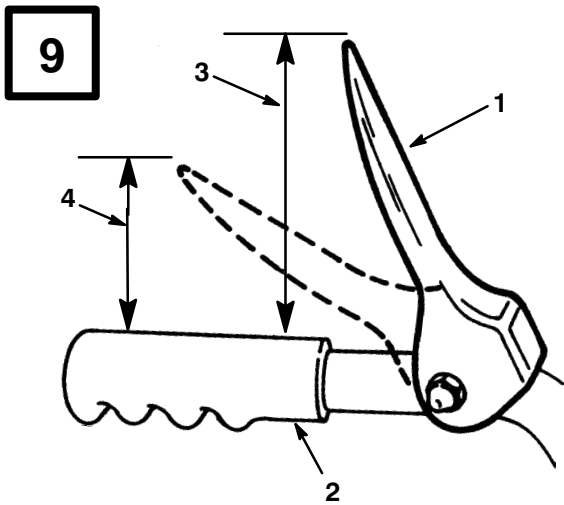
649

**English**

- |                      |                      |
|----------------------|----------------------|
| 1. Jam nut           | 4. Lower control rod |
| 2. Clevis            | 5. Clevis pin        |
| 3. Upper control rod | 6. Cotter pin        |

**Français**

- |                                |                                |
|--------------------------------|--------------------------------|
| 1. Écrou de blocage            | 4. Tige de commande inférieure |
| 2. Chape                       | 5. Axe de chape                |
| 3. Tige de commande supérieure | 6. Goupille fendue             |



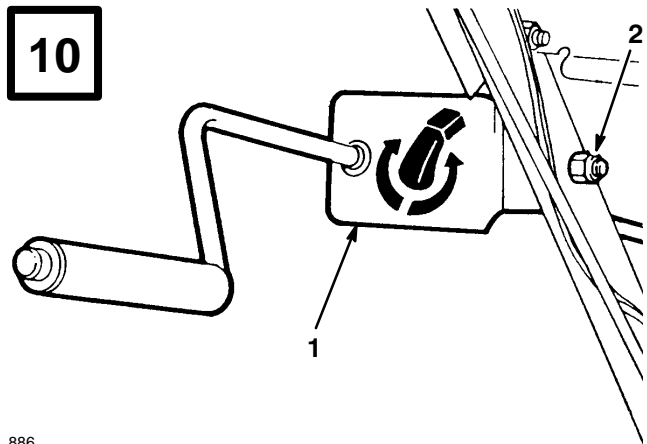
665

**English**

- |                        |                              |
|------------------------|------------------------------|
| 1. Auger control lever | 3. Approximately four inches |
| 2. Hand grip           | 4. One to two inches         |

**Français**

- |                                   |                        |
|-----------------------------------|------------------------|
| 1. Manette de commande de tarière | 3. Environ 10 cm (4")  |
| 2. Poignée                        | 4. 2,5 à 5 cm (1 à 2") |



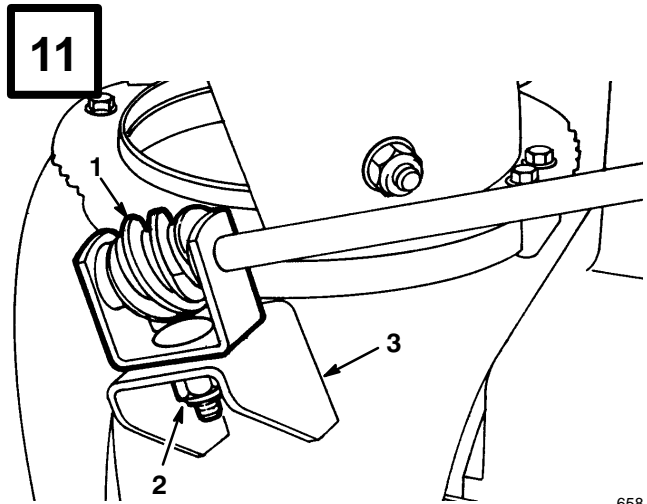
886

**English**

- |                                  |                             |
|----------------------------------|-----------------------------|
| 1. Chute control bracket and rod | 2. Capscrew and locknut rod |
|----------------------------------|-----------------------------|

**Français**

- |  |                                    |
|--|------------------------------------|
| 1. Support et tige d'orientation de l'éjecteur | 2. Boulon six pans et contre-écrou |
|--|------------------------------------|



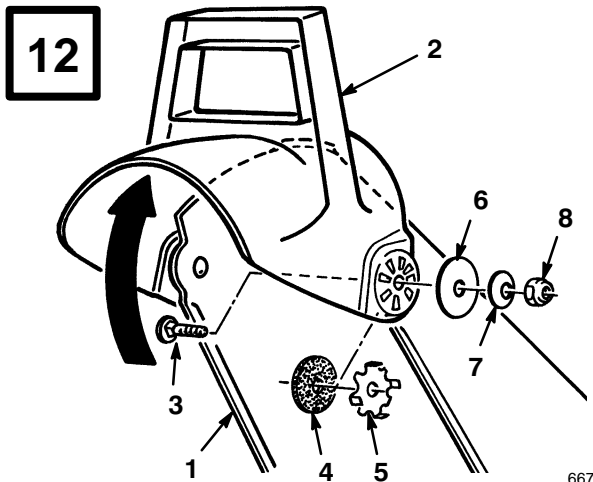
658

**English**

- |                                       |                    |
|---------------------------------------|--------------------|
| 1. Worm gear and bracket              | 3. Mounting flange |
| 2. Bolt, pyramidal washer and locknut |                    |

**Français**

- |  |            |
|--|------------|
| 1. Vis sans fin et étrier                      | 3. Support |
| 2. Boulon, rondelle pyramidale et contre-écrou |            |



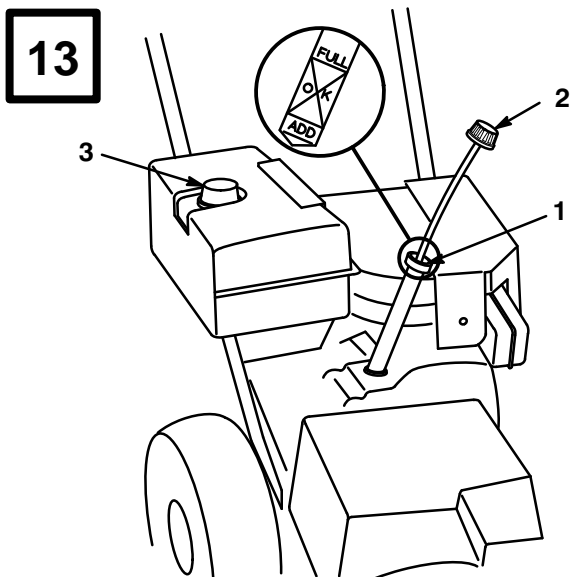
667

**English**

- |                  |                      |
|------------------|----------------------|
| 1. Chute         | 5. Friction plate    |
| 2. Deflector     | 6. Large flat washer |
| 3. Carriage bolt | 7. Curved washer     |
| 4. Rubber washer | 8. Locknut           |

**Français**

- |                           |                          |
|---------------------------|--------------------------|
| 1. Éjecteur               | 5. Plaque de frottement  |
| 2. Déviateur              | 6. Grande rondelle plate |
| 3. Boulon de carrossier   | 7. Rondelle convexe      |
| 4. Rondelle en caoutchouc | 8. Contre-écrou          |



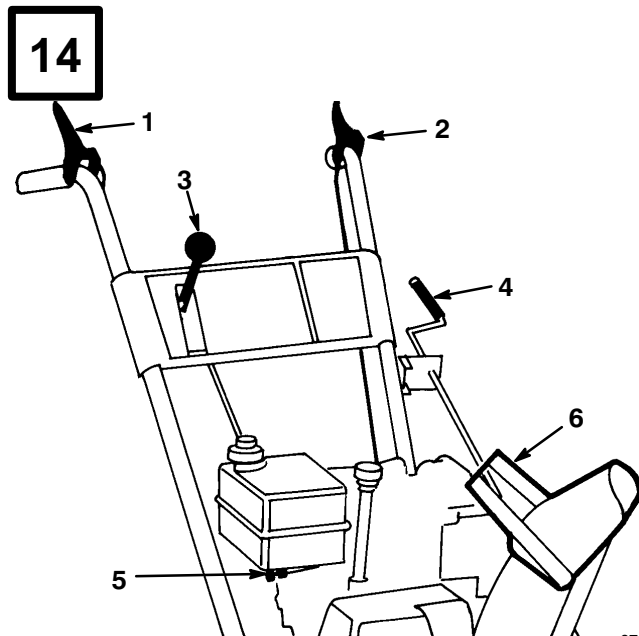
684

**English**

- |                |                  |
|----------------|------------------|
| 1. Filler hole | 3. Fuel tank cap |
| 2. Dipstick    |                  |

**Français**

- |                        |                                   |
|------------------------|-----------------------------------|
| 1. Trou de remplissage | 3. Bouchon de réservoir d'essence |
| 2. Jauge d'huile       |                                   |



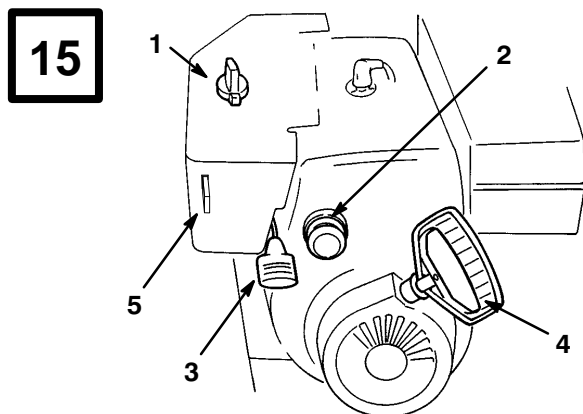
879

**English**

- |                        |                            |
|------------------------|----------------------------|
| 1. Auger drive control | 4. Discharge chute control |
| 2. Traction control    | 5. Fuel shut-off valve     |
| 3. Speed selector      | 6. Chute deflector handle  |

**Français**

- |                          |                         |
|--------------------------|-------------------------|
| 1. Manette de tarière    | 4. Commande d'éjecteur  |
| 2. Manette de traction   | 5. Robinet d'essence    |
| 3. Changement de vitesse | 6. Poignée du déviateur |



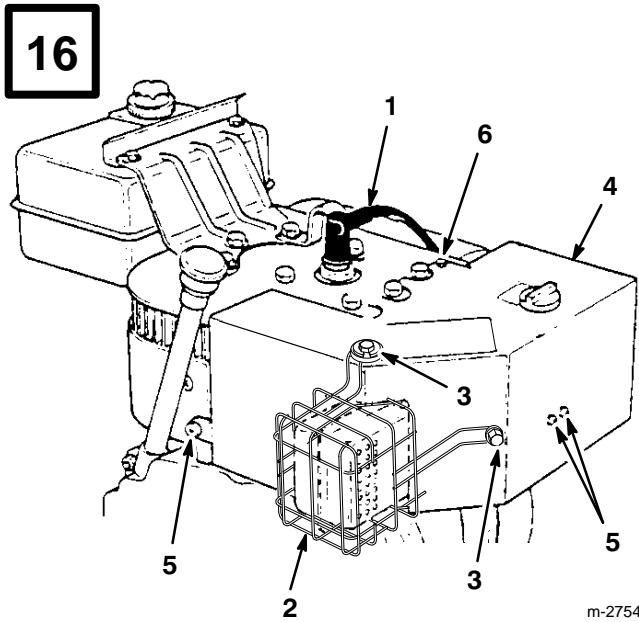
725

**English**

- |             |                    |
|-------------|--------------------|
| 1. Choke    | 4. Recoil starter  |
| 2. Primer   | 5. Ignition switch |
| 3. Throttle |                    |

**Français**

- |                     |                   |
|---------------------|-------------------|
| 1. Starter          | 4. Lanceur        |
| 2. Amorceur         | 5. Clé de contact |
| 3. Commande des gaz |                   |



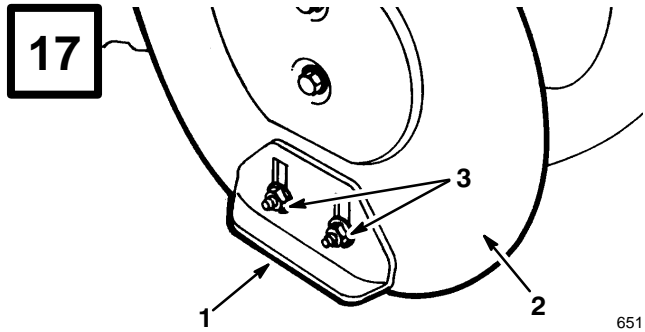
m-2754

**English**

- |   |                          |
|---|--------------------------|
| 1. Spark plug wire                        | 4. Carburetor heater box |
| 2. Muffer guard                           | 5. Phillips screws (3)   |
| 3. Screw (3), lock washer (3), washer (3) | 6. Hex head screw        |

**Français**

- |  |                         |
|--|-------------------------|
| 1. Fil de bougie                                 | 4. Boîtier de chauffage |
| 2. Grille de protection du silencieux            | 5. Vis phillips (3)     |
| 3. Vis (3), rondelles-frein (3) et rondelles (3) | 6. Vis six pans         |



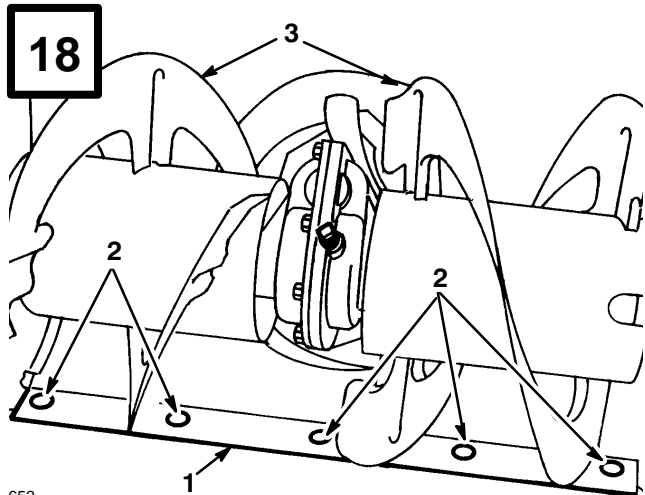
651

**English**

- |                     |                |
|---------------------|----------------|
| 1. Skid             | 3. Flange nuts |
| 2. Auger side plate |                |

**Français**

- |                                  |                        |
|----------------------------------|------------------------|
| 1. Patin                         | 3. Ecrous à collerette |
| 2. Panneau latéral de la tarière |                        |



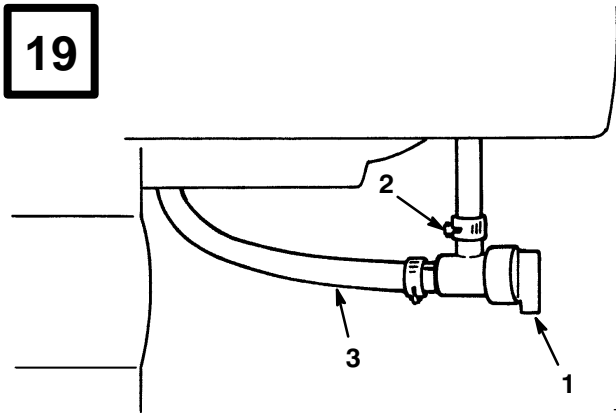
652

**English**

- |                    |                 |
|--------------------|-----------------|
| 1. Scraper         | 3. Auger blades |
| 2. Mounting screws |                 |

**Français**

- |                   |                        |
|-------------------|------------------------|
| 1. Lame racleuse  | 3. Lames de la tarière |
| 2. Vis de montage |                        |



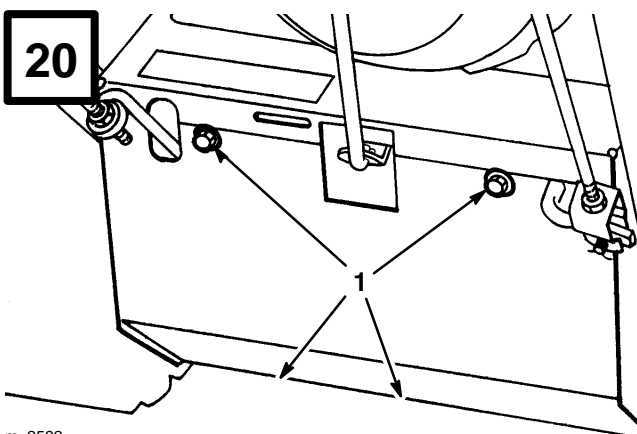
726

**English**

- 1. Fuel shut-off valve
- 2. Hose clamp
- 3. Fuel line

**Français**

- 1. Robinet d'essence
- 2. Collier
- 3. Conduite d'alimentation



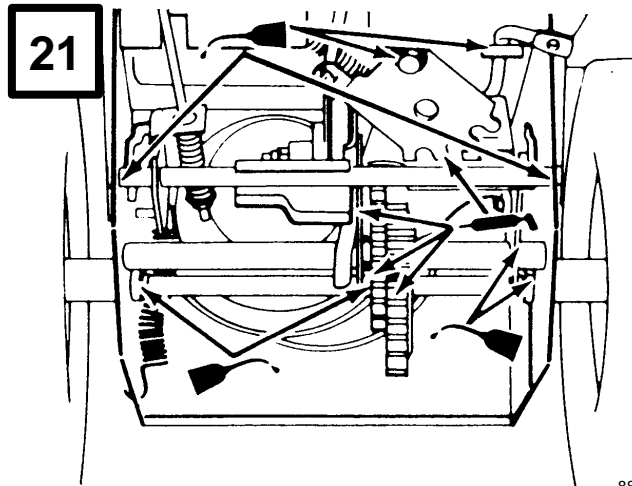
m-2592

**English**

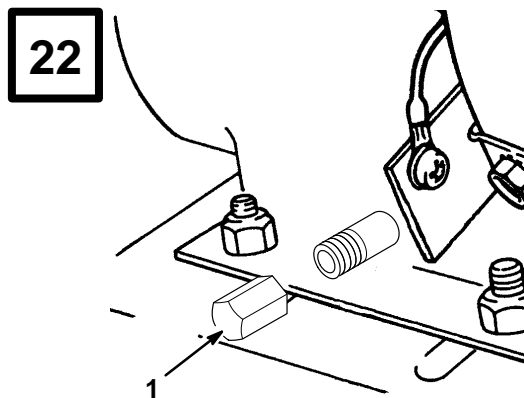
- 1. Screws

**Français**

- 1. Quatre vis à tête



887



m-4070

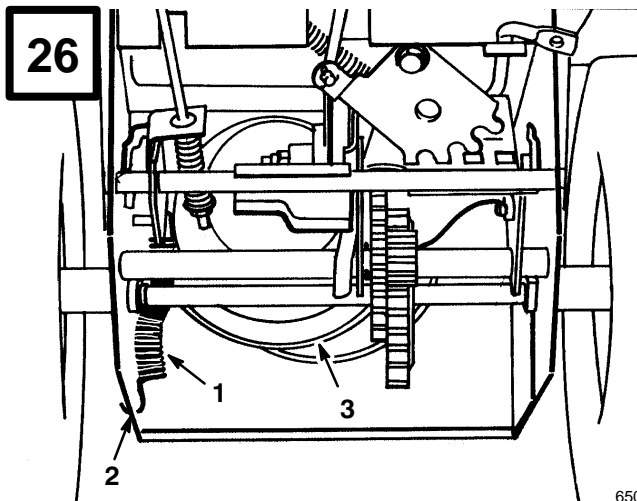
**English**

- 1. Drain plug

**Français**

- 1. Bouchon de vidange d'huile





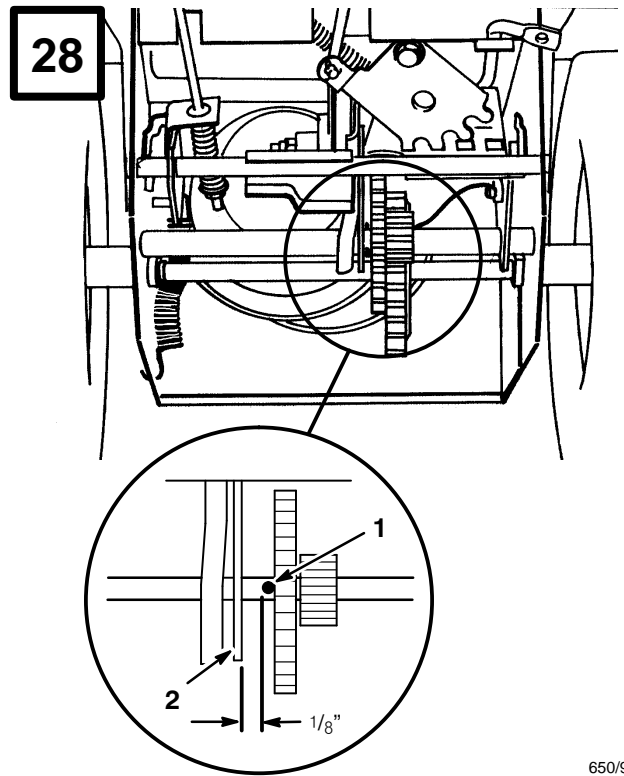
650

**English**

- 1. Spring
- 2. Notch in side plate
- 3. Large traction pulley

**Français**

- 1. Ressort
- 2. Encoche du panneau latéral
- 3. Grande poulie de traction



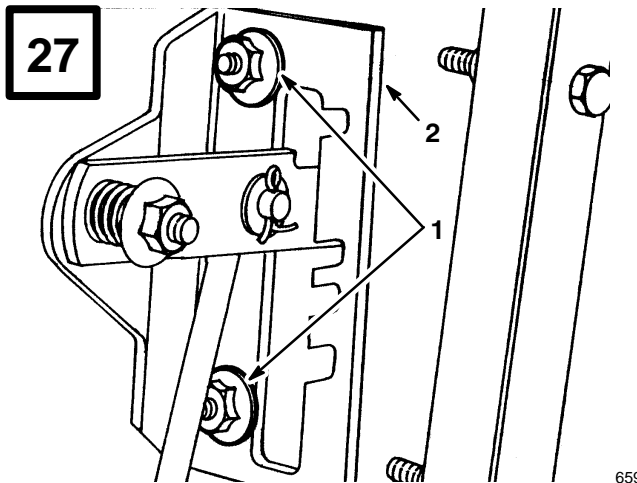
650/913

**English**

- 1. Roll pin
- 2. Drive assembly

**Français**

- 1. Goupille
- 2. Ensemble de transmission



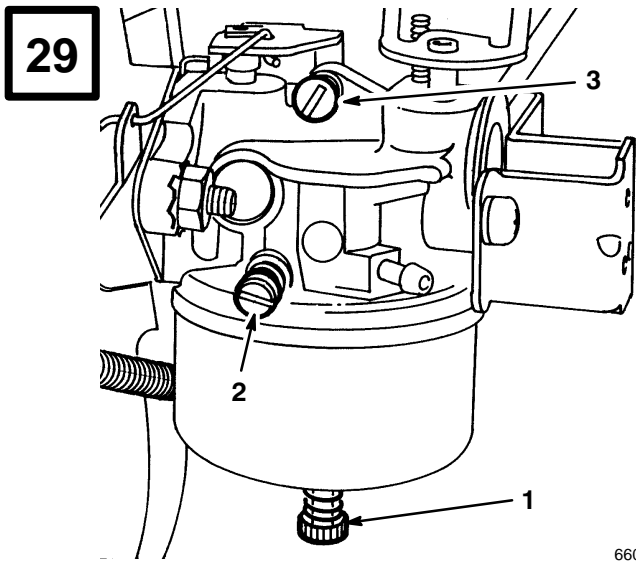
659

**English**

- 1. Flange nuts
- 2. Speed selector plate

**Français**

- 1. Ecrans à collerette
- 2. Plaque de changement de vitesse



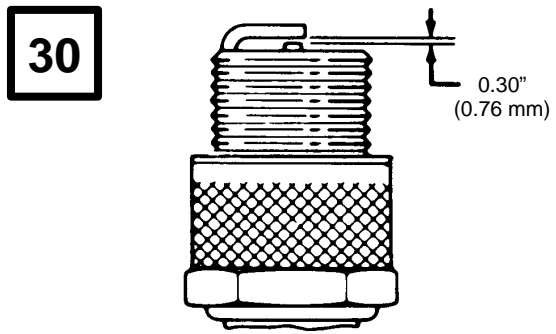
660

**English**

- 1. Power adjusting screw
- 2. Idle mixture screw
- 3. Idle speed screw

**Français**

- 1. Vis de richesse
- 2. Vis de richesse de ralenti
- 3. Vis de vitesse du ralenti



110

# Contents

	<b>Page</b>		<b>Page</b>
Contents .....	1	Before Starting .....	14
Introduction .....	2	Fill Crankcase With Oil .....	14
Safety .....	3	Fill Fuel Tank With Gasoline .....	14
Before Operating .....	3	Operation .....	16
While Operating .....	4	Controls .....	16
Maintaining Snowthrower .....	5	Starting/Stopping .....	16
Sound Pressure Level .....	5	Snowthrowing Tips .....	17
Sound Power Level .....	5	Adjusting Skids And Scraper Blade .....	18
Vibration Level .....	5	Maintenance .....	19
Symbol Glossary .....	7	Draining Gasoline .....	19
Loose Parts .....	11	Lubricating Snowthrower .....	19
Accessories .....	11	Changing Crankcase Oil .....	19
Assembly .....	12	Auger Gear Box Grease .....	20
Install Handle .....	12	Adjusting Auger/Impeller Drive Belt .....	20
Install Speed Selector Rod .....	12	Replacing Auger/Impeller Drive Belt .....	20
Install Traction Rod .....	12	Replacing Traction Drive Belt .....	20
Install Auger/Impeller Drive Control		Adjusting Traction Drive .....	21
Linkage .....	12	Adjusting Speed Selector .....	21
Install Chute Control Rod .....	13	Adjusting Carburetor .....	22
Secure Chute Deflector .....	13	Replacing Spark Plug .....	23
Check Tire Pressure .....	13	Preparing Snowthrower For Storage .....	23

---

# Introduction

Thank you for purchasing a Toro product.

All of us at Toro want you to be completely satisfied with your new product, so feel free to contact your local Authorized Service Dealer for help with service, genuine Toro parts, or other information you may require.

Whenever you contact your Authorized Service Dealer or the factory, always know the model and serial numbers of your product. These numbers will help the Service Dealer or Service Representative provide exact information about your specific product. You will find the model and serial number decal located in a unique place on the product (Fig. 1).

For your convenience, write the product model and serial numbers in the space below.

<p><b>Model No.</b> _____</p> <p><b>Serial No.</b> _____</p>
--

Read this manual carefully to learn how to operate and maintain your product correctly. Reading this manual will help you and others avoid personal injury and damage to the product. Although Toro designs,

produces and markets safe, state-of-the-art products, you are responsible for using the product properly and safely. You are also responsible for training persons who you allow to use the product about safe operation.

The Toro warning system in this manual identifies potential hazards and has special safety messages that help you and others avoid personal injury, even death. DANGER, WARNING and CAUTION are signal words used to identify the level of hazard. However, regardless of the hazard, be extremely careful.

**DANGER** signals an extreme hazard that will cause serious injury or death if the recommended precautions are not followed.

**WARNING** signals a hazard that may cause serious injury or death if the recommended precautions are not followed.


**CAUTION** signals a hazard that may cause minor or moderate injury if the recommended precautions are not followed.

Two other words are also used to highlight information. “Important” calls attention to special mechanical information and “Note” emphasizes general information worthy of special attention.

The left and right side of the machine is determined by standing behind the handle in the normal operator’s position.

---

# Safety

The 724 SNOWTHROWER meets or exceeds the Outdoor Power Equipment Institute's safety standards for snowthrowers; thus, Toro proudly displays the OPEI safety seal. To ensure maximum safety, best performance, and to gain knowledge of the product, it is essential that you or any other operator of the snowthrower read and understand the contents of this manual before the engine is ever started. Pay particular attention to the safety alert symbol  which means CAUTION, WARNING OR DANGER — “personal safety instruction.” Read and understand the instruction because it has to do with safety. Failure to comply with instruction may result in personal injury.

The following instructions are comparable to the Instructions For Safe Snowthrowing adopted by the American National Standards Institute (ANSI). The snowthrower is designed and tested to offer reasonably safe service; however, failure to comply with the following instructions **MAY RESULT IN PERSONAL INJURY.**

**WARNING:** Engine exhaust contains carbon monoxide which is an odorless, deadly poison. Carbon monoxide is also known to the State of California to cause birth defects. Do not run engine indoors or in an enclosed area.

## Before Operating

1. Read and understand the contents of this manual before operating the snowthrower. Become familiar with all controls and know how to stop the engine quickly.
2. Keep everyone, especially children and pets, away from snowthrower and area of operation. Never allow children to operate the snowthrower. Adults should operate the snowthrower only after reading this manual.
3. Thoroughly inspect area thoroughly where snowthrower will be used. Remove doormats, sleds, boards, sticks, wire, and any other foreign objects which might be picked up and thrown by the snowthrower.
4. Keep all shields and safety devices in place. If a shield, safety device or decal is illegible, damaged or lost, repair or replace it before beginning operation. Also, tighten any loose nuts, bolts or screws.
5. Wear adequate winter clothing and rubber boots that will ensure proper footing on slippery surfaces. Do not wear loose fitting clothing that could possibly get caught in moving parts.
6. Always wear safety glasses or eye shields during operation or while performing an adjustment or repair to protect eyes from foreign objects that may be thrown from the machine.
7. Adjust both skids so auger/impeller housing clears gravel or crushed rock surfaces.
8. Before starting the engine, ensure auger/impeller drive control and traction (wheel drive) control are in disengaged position.
9. Always use a grounded three wire plug and cord to start snowthrower equipped with an electric starter. Extension cord must be connected to a properly grounded outlet.
10. Fill fuel tank with gasoline before starting the engine. Avoid spilling any gasoline. Because gasoline is highly flammable, handle it carefully. **DO NOT SMOKE WHILE HANDLING GASOLINE.**
  - A. Use an approved gasoline container.
  - B. Fill fuel tank outdoors, not indoors. **NEVER ADD FUEL TO AN ENGINE THAT IS RUNNING OR HOT.** Engine must be cool to reduce potential fire hazard.

- 
- C. Open doors if engine will be started in the garage because exhaust fumes are dangerous and could possibly be deadly. Do not run engine indoors.
  - D. Wipe up any spilled gasoline. Reinstall gasoline container cap and snowthrower fuel tank cap securely before starting the engine.

- 15. Operate the snowthrower only when there is good visibility or light. Always maintain secure footing and balance and keep a firm grip on the handles, especially when operating in reverse. Walk; never run.
- 16. Be attentive when using the snowthrower, and stay alert for holes in the terrain and other hidden hazards. Be careful when clearing snow from a gravel drive because stones could be picked up and thrown if skids are not adjusted so auger/impeller housing clears all rocks.
- 17. Do not make any adjustments while the engine is running, with the exception of carburetor adjustments.

## While Operating

**11. ROTATING IMPELLER OR AUGER CAN CUT OFF OR INJURE FINGERS OR HANDS. STAY BEHIND THE HANDLES AND AWAY FROM DISCHARGE OPENING WHILE OPERATING THE SNOWTHROWER. KEEP FACE, HANDS, FEET, AND ANY OTHER PART OF YOUR BODY OR CLOTHING AWAY FROM CONCEALED, MOVING OR ROTATING PARTS.**

**12. BEFORE ADJUSTING, CLEANING, REPAIRING, AND INSPECTING THE SNOWTHROWER, AND BEFORE UNCLOGGING THE DISCHARGE CHUTE, SHUT ENGINE OFF AND WAIT FOR ALL MOVING PARTS TO STOP. ALSO, PULL WIRE OFF SPARK PLUG AND KEEP WIRE AWAY FROM THE PLUG TO PREVENT ACCIDENTAL STARTING. USE A STICK, NOT YOUR HAND, TO REMOVE OBSTRUCTIONS FROM DISCHARGE CHUTE.**

**13. Before leaving the operator's position—behind the handles—remove key from ignition switch.**

**14. Allow engine to warm up outdoors before clearing snow.**

**18. Never direct discharge of snow or operate snowthrower near bystanders, glass enclosures, automobiles and trucks, window wells or a drop-off without proper adjustment of the snow chute and deflector angle.**

**19. Clear snow from slopes by going up and down, never across the face. Use caution when changing directions. Use lower gear when operating on slopes. Never clear snow from steep slopes.**

**20. Do not overload the snowthrower by clearing snow at too fast a rate.**

**21. Do not use snowthrower on a roof.**

**22. If a foreign object is hit or snowthrower vibrates abnormally, stop engine by turning key to OFF and wait for all moving parts to stop. Pull wire off spark plug and check snowthrower immediately for possible damage, an obstruction or loose parts. Vibration is generally a sign of trouble. Repair any damage before starting engine and operating snowthrower again.**

**23. Do not touch engine while it is running or soon after it is stopped because the engine will be hot enough to cause a burn. Do not add oil or check oil level in crankcase when engine is running.**

24. Never operate snowthrower at high transport speeds on slippery surfaces. Use care when backing.

## Maintaining Snowthrower

25. Perform only those maintenance instructions described in this manual. Shut engine off before performing any maintenance service or adjustment. Additionally, pull wire off spark plug and keep wire away from plug to prevent accidental starting. If major repairs are ever needed, contact your local Authorized TORO Service Dealer for assistance.
26. Keep snowthrower in safe operating condition by keeping nuts, bolts, and screws tight. Check engine mounting bolts frequently to assure they are tight.
27. Do not overspeed the engine by changing governor settings.
28. Never store snowthrower with fuel in fuel tank inside a building where ignition sources such as an open flame, sparks, hot water and space heaters, and clothes dryers are present. Allow engine to cool before storing in an enclosure such as a garage or storage shed. **NEVER STORE SNOWTHROWER IN HOUSE (LIVING AREA) OR BASEMENT BECAUSE GASOLINE AND FUMES ARE HIGHLY FLAMMABLE, EXPLOSIVE, AND DANGEROUS IF INHALED.** Do not store snowthrower near any open flame or where gasoline fumes may be ignited by a spark.
29. When storing the snowthrower for an extended time—off season storage or 30 days—drain gasoline from fuel tank to prevent a potential hazard. Store gasoline in a safety-approved red

metal container. Remove key from ignition switch when storing snowthrower. Store key in a memorable place.

30. At the time of manufacture, the snowthrower conformed with or exceeded OPEI safety standards in effect for snowthrowers. Therefore, to ensure best performance and safety, purchase genuine TORO replacement parts and accessories to keep the TORO all TORO. **NEVER USE “WILL FIT” REPLACEMENT PARTS AND ACCESSORIES.**
31. For safety reasons, use only those accessories and attachments recommended by The TORO Company to ensure continued safety certification of the product. Using unapproved accessories and attachments could contribute to a potential hazard.

## Sound Pressure Level

This unit has a sound pressure at the operator’s ear of 90 dB(A), based on measurements of identical machines per Directive 81/1051/EEC.

## Sound Power Level

This unit has a sound power level of 104 LwA, based on measurements of identical machines per Directive 79/113/EEC.

## Vibration Level

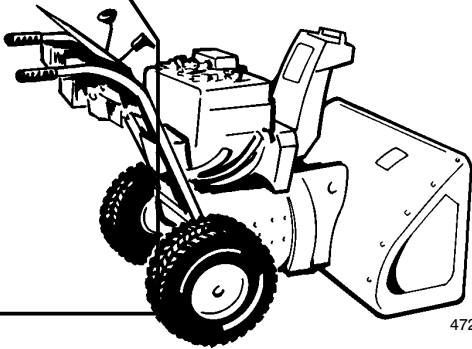
This unit has a maximum hand-arm vibration level of 19.3 m/s<sup>2</sup>, based on measurements of identical machines per EN 1033.

## BEFORE OPERATING

Read and understand the contents of this manual before operating the snowthrower. Become familiar with all controls and know how to stop the engine quickly.



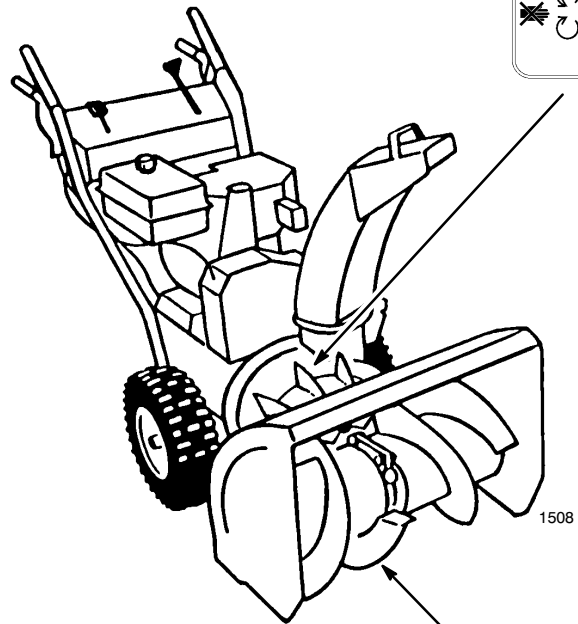
OPERATOR'S  
POSITION



472

**CAUTION: IMPROPER USE MAY RESULT  
IN LOSS OF FINGERS, HANDS OR FEET.**

**HIGH SPEED IMPELLER  
WITHIN 2 INCHES OF  
OPENING**



**LOW SPEED AUGER  
HAS MOVING PINCH  
POINT, CLOSE TO  
OPENING**

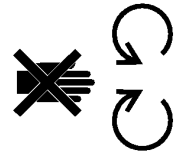


# Symbol Glossary

Safety alert triangle — symbol within triangle indicates a hazard



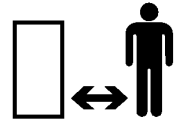
Do not open or remove safety shields while engine is running



Safety alert symbol



Stay a safe distance from the machine



Read operator's manual



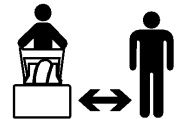
Stay a safe distance from the machine — single stage snowthrower



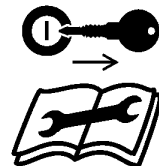
Consult technical manual for proper service procedures



Stay a safe distance from the machine — two stage snowthrower



Shut off engine and remove key before performing maintenance or repair work



Thrown or flying objects — Whole body exposure



Shut off engine and remove key before leaving operator position — single stage snowthrower



Electrical shock — electrocution



Shut off engine and remove key before leaving operator position — two stage snowthrower



Cutting or entanglement of foot — rotating auger



---

**Severing of fingers or hand – impeller blade**



**Hot surfaces – burns to fingers or hands**



**Caustic liquids – chemical burns to fingers or hands**



**Do not tip battery**



**Keep dry**



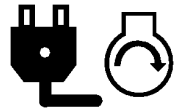
**Machine travel direction – forward**



**Machine travel direction – rearward**



**Electric start**



**Machine loss of control – uphill slope**



**Machine loss of control – downhill slope**



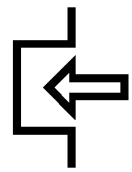
**Traction drive**



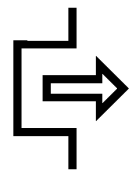
**Snowthrower collector auger**



**Engage**



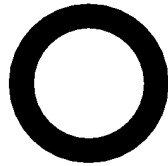
**Disengage**



On/start



Off/stop



Fast



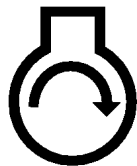
Slow



Decreasing/Increasing



Engine start



Engine stop



Snowthrower chute direction



Choke



Engine speed (Throttle)



Neutral



Snowthrower collector auger/impeller



Lock



Unlock



Lever operation

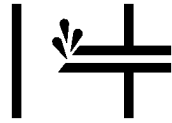


Lever operation



---

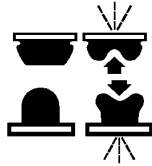
Primer (start aid)



Unleaded fuel



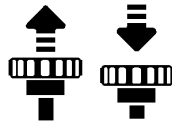
Primer operation



Cutting of fingers or hand



Throttle operation



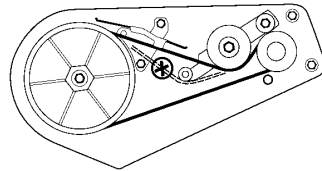
Cutting of foot



PowerShift operation



Belt routing



# Loose Parts

DESCRIPTION	QTY.	USE
Cotter Pin	1	Install on Speed Selector Rod
Flat Washer	1	
Capscrews & Curved Washers	4	Install Handle
Clevis Pin	1	Install Auger/Impeller & Traction Drive Control Rod
Cotter Pin	1	
Flange Nut	2	
Capscrew & Locknut	1	Install Chute Control Rod
Locknut & Pyramidal Washer	1	
Carriage Bolt	1	Secure Chute Deflector
Rubber Washer	1	
Friction Plate	1	
Large Flat Washer	1	
Curved Washer	1	
Locknut	1	
Key	1	Use in Ignition Switch
Registration Card	1	Used to Validate Product Warranty
Specifications and design subject to change without notice.		

# Accessories

DESCRIPTION	PART NUMBER
110 Vac Electric Starter Kit	23-3790
Tire Chain Kit	56-2700
Drift Breaker Kit	37-7021

---

# Assembly

**Note:** Determine left and right sides of snowthrower by standing in the normal operating position.

## Install Handle

1. Remove tie straps securing control rods to handle.
2. Remove the axle pins from both wheels and slide the wheels outward on the axle approximately one inch to make clearance for assembly of handles.
3. Position left handle against side of unit, align handle mount holes with holes in side plate, and secure with two capscrews and curved washers until finger tight (Fig. 2).

**Note:** Concave side of curved washer goes against outside of handle.

Repeat procedure on right side. Make sure handles are at same height before tightening handle screws on both sides of unit.

4. Reinstall the wheels. Note that there are two holes in each end of the axle. Axle pins are installed through holes in the wheel hub and through inner hole of axle (Fig. 3).

**Note:** If snowthrower is to be equipped with optional tire chains, wheels must be pinned through outer axle holes.

## Install Speed Selector Rod

1. Pull speed selector arm (Fig. 4) to the fully “out” position and move speed selector (Fig. 6) on control panel to the R (REVERSE) position to ease assembly.
2. Install speed selector rod into selector arm, add one flat washer on the selector rod and secure with cotter pin (Fig. 4).

## Install Traction Rod

1. Thread a flange nut (flange side down) onto traction rod located on left handle (Fig. 5).
2. Insert traction rod through loop in lower traction rod (Fig. 5).
3. Thread a flange nut (flange side up) onto bottom of traction control rod below loop in lower traction rod (Fig. 5).
4. Adjust the two flange nuts up or down on the traction control rod until the distance between the top of the handgrip and the bottom of the traction control lever (Fig. 6 and 7) is approximately  $4\frac{3}{8}$  inches. **This is a preliminary setting only.** Tighten the two flange nuts finger tight.
5. Move speed selector (Fig. 6) into third gear.

**Note:** If speed selector will not move into third gear, an adjustment is necessary: refer to Adjusting Speed Selector, page 21. Make the adjustment before continuing with assembly.

6. Slowly pull machine backward while slowly depressing traction control lever toward handle. Adjustment is correct when wheels stop turning and the distance between the top of the handgrip and the bottom of the traction control lever is one to two inches (Fig. 7). Readjust the two flange nuts, if necessary, to obtain this dimension and then tighten the two flange nuts securely.

## Install Auger/Impeller Drive Control Linkage

1. Loosen jam nut above clevis on upper control rod (Fig. 8).
2. Align holes in clevis and lower control rod and insert clevis pin (Fig. 8).
3. Check the distance between the top of the handgrip and the bottom of the auger/impeller control lever (Fig. 6 & 9). Distance should be approximately four inches. **This is a preliminary setting only.**

4. Compress auger/impeller control lever slowly toward handgrip. The amount of force to compress the lever will increase noticeably when slack is removed from the drive belt (approximately one-half of lever movement). Adjustment is correct when the force begins to increase and the distance between the top of the handgrip and the bottom of the auger/impeller control lever is one to two inches.

**Note:** If force does not noticeably increase, remove the belt cover (refer to Replacing Auger/ Impeller Drive Belt, steps 1–2, page 20) and measure the one to two inch dimension above the handgrip at the point where the slack is removed from the auger/impeller drive belt.

5. To adjust the distance, remove clevis pin, loosen jam nut and thread clevis up or down to increase or decrease distance between handgrip and auger/impeller control lever (Fig. 8).
6. When adjustment is correct, install clevis pin and secure it in place with the cotter pin. Tighten jam nut to secure clevis (Fig. 8).

## Install Chute Control Rod

1. Assemble chute control bracket and rod to left side of handle with capscrew and locknut. Leave locknut loose until assembly is completely mounted (Fig. 10).
2. Apply No. 2 general purpose grease to worm gear. Next, mount worm gear and bracket to mounting flange and secure with pyramidal washer and locknut (Fig. 11).

3. Slide worm gear into teeth of chute retaining ring and tighten locknut (Fig. 11).
4. Tighten the locknut securing chute control bracket against left handle (Fig. 10).
5. Check operation of chute control rod. Move worm gear slightly outward if binding is evident.

## Secure Chute Deflector

1. Pivot deflector upward and back until deflector stop passes over lip on top of chute.
2. Secure left side of deflector to discharge chute using parts as illustrated in Figure 12. Make sure rubber washer and friction plate are positioned between chute and deflector and friction plate tabs fit into holes in deflector. See Figure 12 for proper installation sequence of parts.

**Note:** Concave side of curved washer goes against large flat washer.

3. Tighten nuts on both sides of deflector. Do not over-tighten nuts so that excessive force is required to change deflector angle.

## Check Tire Pressure

**IMPORTANT: Check pressure of tires because they are over-inflated at the factory for shipping. Therefore, before the snowthrower is operated, reduce pressure in both tires to 7-15 psi equally.**

---

# Before Starting

## Fill Crankcase With Oil

The engine is shipped from the factory without oil in the crankcase. Therefore, before starting the engine, oil must be added to the crankcase.

**IMPORTANT:** Check level of oil every 5 operating hours or each time unit is used. Initially, change oil after the first 2 hours of operation; thereafter, under normal conditions, change oil after every 25 hours of operation or annually, whichever comes first.

1. Move unit to a level surface to ensure an accurate oil level reading.
2. Clean area around dipstick to prevent foreign matter from entering filler hole when dipstick is removed.
3. Remove dipstick from crankcase (Fig. 13).
4. Slowly pour 21 ounces (0.621 liters) of SAE 5W-30 or SAE 10 oil into the filler hole. The engine uses any high-quality detergent oil having the American Petroleum Institute (API) “service classification”—SE, SF or SG.

**Note:** Dipstick must be fully installed to ensure accurate gauging of oil level. DO NOT OVERFILL. POUR OIL SLOWLY.

## DANGER

### POTENTIAL HAZARD

- In certain conditions gasoline is extremely flammable and highly explosive.

### WHAT CAN HAPPEN

- A fire or explosion from gasoline can burn you, others, and cause property damage.

### HOW TO AVOID THE HAZARD

- Use a funnel and fill the fuel tank outdoors, in an open area, when the engine is cold. Wipe up any gasoline that spills.
- Do not fill the fuel tank completely full. Add gasoline to the fuel tank until the level is 1/4” to 1/2” (6 mm to 13 mm) below the bottom of the filler neck. This empty space in the tank allows gasoline to expand.
- Never smoke when handling gasoline, and stay away from an open flame or where gasoline fumes may be ignited by a spark.
- Store gasoline in an approved container and keep it out of the reach of children.
- Never buy more than a 30-day supply of gasoline.

## Fill Fuel Tank With Gasoline

Use clean, fresh lead-free gasoline, including *oxygenated* or *reformulated* gasoline, with an octane rating of 85 or higher. To ensure freshness, purchase only the quantity of gasoline that can be used in 30 days. Use of lead-free gasoline results in fewer combustion chamber deposits and longer spark plug life. Use of premium grade fuel is not necessary.

**IMPORTANT: NEVER USE METHANOL, GASOLINE CONTAINING METHANOL, GASOHOL CONTAINING MORE THAN 10% ETHANOL, PREMIUM GASOLINE OR WHITE GAS BECAUSE ENGINE FUEL SYSTEM DAMAGE COULD RESULT.**

Toro also recommends that Toro Stabilizer/Conditioner be used regularly in all Toro gasoline powered products during operation and storage seasons. Toro Stabilizer/Conditioner cleans the engine during operation and prevents gum-like varnish deposits from forming in the engine during periods of storage.

**Note:** A fuel stabilizer/conditioner is most effective when mixed with fresh gasoline.

**DO NOT USE FUEL ADDITIVES OTHER THAN THOSE MANUFACTURED FOR FUEL STABILIZATION DURING STORAGE SUCH AS TORO'S STABILIZER/CONDITIONER OR A SIMILAR PRODUCT. TORO'S**

---

**STABILIZER/CONDITIONER IS A PETROLEUM DISTILLATE BASED CONDITIONER/STABILIZER. TORO DOES NOT RECOMMEND STABILIZERS WITH AN ALCOHOL BASE SUCH AS ETHANOL, METHANOL OR ISOPROPYL. ADDITIVES SHOULD NOT BE USED TO TRY TO ENHANCE THE POWER OR PERFORMANCE OF MACHINE.**

1. Clean area around the fuel tank cap (Fig. 13). Remove cap from fuel tank. Using unleaded, regular gasoline, fill tank to within 1/4" to 1/2" (6 to 13 mm) from the top of the tank, not into the filler neck. This space is for expansion of fuel. Do not fill tank full. Reinstall fuel tank cap.

---

# Operation

## Controls

**Auger/Impeller Drive Control** (Fig. 14)—Control has two positions: ENGAGE and DISENGAGE. To engage both auger and impeller, compress lever against right handgrip. To disengage, release lever.

**Traction Control** (Fig. 14)—To engage traction (wheel drive), lever must be compressed against left handgrip. To stop traction, release lever.

**Speed Selector** (Fig. 14)—The control has four positions: reverse, 1, 2 and 3. To change speeds, move gear shift to position desired. Lever will lock in notch at each speed selection. Use positions 1, 2 or 3 depending on snow conditions.

**Ignition Switch** (Fig. 15)—Insert key before starting engine with the recoil starter. To stop engine, remove key.

**Throttle** (Fig. 15)—Moving the throttle upward increases engine speed.

**Choke** (Fig. 15)—Rotate choke to FULL choke position to start a cold engine. As engine warms up, move choke gradually to OFF.

**Primer** (Fig. 15)—Press primer to pump a small amount of gasoline into engine for improved cold weather starting.

**Fuel Shut-Off Valve** (Fig. 14)—Valve is located under fuel tank. Close valve by rotating it to the right to stop fuel flow from fuel tank. Open valve by rotating it to the left to allow fuel to flow to the carburetor. Close valve when snowthrower is not in use.

**Discharge Chute Control** (Fig. 14)—Rotate discharge chute control clockwise to move discharge chute to the left and counterclockwise to move chute to the right.

**Recoil Starter** (Fig. 15)—Recoil starter is on back side of engine. Pull recoil starter to start engine.

**Chute Deflector Handle** (Fig. 14)—Deflector handle is on top of discharge chute, and it is used to control height of the snow stream.

## Starting/Stopping

If engine is operated when temperature is +40° F (4° C) or higher, remove carburetor heater box (Fig. 16). However, the heater box must be reinstalled when temperature falls below +40° F (4° C). To remove heater box:

1. Pull wire off spark plug and make sure wire does not contact plug accidentally (Fig. 16).
2. Remove (3) screws, (3) lock washers, and (3) washers securing muffler guard to engine (Fig. 16). Remove muffler guard.
3. Remove (3) Phillips screws and (1) hex head screw securing heater box in place (Fig. 16). Pull choke knob off choke rod (Fig. 15).
4. Lift heater box up and away from the engine, and reinstall choke knob on mounting pin.

## To Start Engine

**IMPORTANT: Check auger and impeller to ensure that both parts are not frozen but free to rotate. Also, make sure discharge chute is not obstructed. USE A STICK, NOT YOUR HAND, TO REMOVE ANY OBSTRUCTIONS.**

1. Place spark plug wire on spark plug (Fig. 16).
2. Move throttle (Fig. 15) to FAST.
3. Open fuel shut-off valve below fuel tank (Fig. 14) by rotating valve to the left.
4. Rotate choke (Fig. 15) to full choke position.
5. Insert ignition key (Fig. 15).
6. Cover hole in center of primer with thumb and push primer slowly three times. **DO NOT PRIME IF THE ENGINE HAS BEEN RUNNING AND IS HOT.**

**Note:** Excessive priming may cause flooding of engine and failure to start.

7. Grasp recoil starter handle (Fig. 15) and pull it out slowly until positive engagement results; then pull vigorously to start the engine. Keep firm grip on starter handle and return the rope slowly.

**Note:** If engine does not start or if temperature is  $-10^{\circ}\text{F}$  ( $-23^{\circ}\text{C}$ ) or below, additional priming may be required. After each additional prime, try to start the engine before priming again.

8. After engine starts, immediately rotate choke (Fig. 15) to 3/4 position. As engine warms up, rotate choke to 1/2 position; then to OFF position. If engine falters, return choke to 1/2 position. When engine warms sufficiently, rotate choke to OFF position.

### Before Stopping Engine

1. Engage auger/impeller to clear any remaining snow from inside the housing.
2. Run engine for a few minutes to help dry off any moisture which may have accumulated on engine.
3. With engine running, pull recoil starter with a rapid, continuous full arm stroke three or four times. This helps prevent possible freeze-up of recoil starter due to extreme snow blowing conditions.

**Note:** Pulling of recoil starter rope produces a loud, clattering sound. This is not harmful to the engine or the starter.

### To Stop Engine

1. Release traction and auger/impeller drive controls (Fig. 14).
2. Move throttle to slow and remove ignition key (Fig. 15).

3. Wait for all moving parts to stop before leaving the operator's position (behind the handles).

## Snowthrowing Tips

1. When snowthrower is not being used, close fuel shut-off valve by rotating valve to the right and remove key from the switch.
2. Remove snow as soon as possible after it falls. This produces best snow removal results.
3. Adjust skids to match the type of surface being cleaned; refer to Adjusting Skids, page 18.
4. The snowthrower is designed to clean snow down to the contact surface, but there are times when the front of the snowthrower may tend to ride up. If this happens, reduce forward speed by shifting into a lower gear. If front still tends to ride up, lift up on both handles to hold down front of snowthrower.
5. Discharge snow downwind whenever possible, and overlap each swath to ensure complete snow removal. If wheels slip, shift into a lower gear to reduce forward speed.
6. Run snowthrower for a few minutes after clearing snow so moving parts do not freeze. Engage auger/impeller to clear any remaining snow from inside housing.
7. Do not overload snowthrower by clearing snow at too fast a rate. If engine slows down, shift to a lower gear to reduce forward speed.
8. Always use full throttle (maximum engine speed) when throwing snow.
9. In wet or slushy conditions, clogging of the discharge chute will be reduced by maintaining maximum engine speed and by not overloading the engine.
10. In some snow and cold weather conditions, some controls and moving parts may freeze. Therefore, when any control becomes hard to operate, stop the engine and wait for all moving parts to stop; then check all parts for freeze up. DO NOT USE

EXCESSIVE FORCE AND TRY TO OPERATE THE CONTROLS WHEN FROZEN. Free all controls and moving parts before operating.

 **DANGER**

**POTENTIAL HAZARD**

- When snowthrower is in operation, impeller and auger can be rotating.

**WHAT CAN HAPPEN**

- **ROTATING IMPELLER OR AUGER CAN CUT OFF OR INJURE FINGERS OR HANDS.**

**HOW TO AVOID THE HAZARD**

- Before adjusting, cleaning, repairing and inspecting the snowthrower, and before unclogging the discharge chute, **SHUT ENGINE OFF AND WAIT FOR ALL MOVING PARTS TO STOP.** Also, pull wire off spark plug and keep wire away from the plug to prevent accidental starting.
- **USE A STICK, NOT YOUR HANDS, TO REMOVE OBSTRUCTIONS FROM DISCHARGE CHUTE.**
- Stay behind the handles and away from discharge opening while operating the snowthrower.
- Keep face, hands, feet and any other part of your body or clothing away from concealed, moving or rotating parts.

## Adjusting Skids And Scraper Blade

### FOR CONCRETE OR ASPHALT SURFACES

1. Pull wire off spark plug and make sure wire does

not contact plug accidentally.

2. Check the tire pressure in both tires. Make sure that they are inflated equally between 7 and 15 psi.
3. Move snowthrower to a level surface. Next, loosen (4) flange nuts securing both skids to the auger side plates (Fig. 17) until the skids can be slid up and down easily.
4. Support the auger blades off the ground so that both the scraper and the auger blades (Fig. 18) clear the level surface by at least 1/16 inch.

**Note:** The scraper should be higher above the pavement if the pavement surfaces on which the snowthrower will be used are cracked, rough or uneven.

5. Check the scraper blade adjustment. Scraper should be above and parallel to level surface. To adjust scraper, loosen (5) mounting screws (Fig. 18), level scraper, and retighten screws.
6. When scraper is adjusted correctly and is supported above level surface, move the skids down to sit flat on the ground and tighten the (4) flange nuts securing both skids to the auger side plates (Fig. 17). Skids will now support the auger blades and scraper above the ground.

### FOR GRAVEL SURFACES

For gravel or crushed rock surfaces, adjust the skids to prevent picking up rocks.

1. Pull wire off spark plug and make sure wire does not contact plug accidentally.
2. Loosen the (4) flange nuts securing both skids to auger side plates (Fig. 17). Next, slide skids down as far as possible so auger will be supported as far from the level surface as skid adjustment allows; then tighten flange nuts.

# Maintenance

## WARNING

### POTENTIAL HAZARD

- If you leave the wire on the spark plug, someone could start the engine.

### WHAT CAN HAPPEN

- Accidental starting of engine could seriously injure you or other bystanders.

### HOW TO AVOID THE HAZARD

- Pull wire off spark plug and remove key from switch before you do any maintenance. Also push wire aside so it does not accidentally contact spark plug.

## Draining Gasoline

1. Close fuel shut-off valve located under fuel tank (Fig. 19) by rotating valve to the left.

## WARNING

### POTENTIAL HAZARD

- Gasoline is highly flammable.

### WHAT CAN HAPPEN

- Gasoline can be ignited and cause serious personal injury.

### HOW TO AVOID THE HAZARD

- Drain gasoline outdoors.
- Drain gasoline from a cold engine only.
- Wipe up any gasoline that may have spilled.
- Do not drain gasoline near any open flame or where gasoline fumes may be ignited by a spark.
- DO NOT SMOKE a cigar, cigarette or pipe when handling gasoline.

2. Place a clean drain pan under shut-off valve.

3. Loosen hose clamp securing fuel line to valve and slide line off valve (Fig. 19).
4. Open valve by rotating valve to the right. This allows fuel to flow into drain pan.
5. Reinstall fuel line and secure with hose clamp.

## Lubricating Snowthrower

Lubricate moving parts of the snowthrower after every 15 hours of operation.

1. Pull wire off spark plug and make sure wire does not contact plug accidentally.
2. Drain gasoline from fuel tank; refer to Draining Gasoline, page 19.
3. Tip snowthrower forward onto auger/impeller housing and block it so it cannot fall. Now, remove four screws holding bottom cover in place and remove cover (Fig. 20).
4. Lightly lubricate snowthrower with light oil and grease as shown in Figure 21. Wipe up any excess oil or grease.

**IMPORTANT: Do not get oil or grease on rubber wheel or friction drive plate because the wheel will slip and the rubber may deteriorate.**

5. Reinstall bottom cover with (4) screws.

## Changing Crankcase Oil

Initially, change oil after the first 2 hours of engine operation; thereafter, under normal conditions, change oil after every 25 hours of engine operation or annually, whichever comes first. If possible, run engine just before changing oil because warm oil flows better and carries more contaminants than cold oil.

- 
1. Pull wire off spark plug and make sure wire does not contact plug accidentally.
  2. Block up the rear of the snowthrower chassis and remove the left wheel.
  3. Clean area around oil drain plug. Next, slide oil drain pan below drain extension; then remove oil drain plug (Fig. 22).
  4. After all oil is drained, reinstall oil drain plug and left wheel.
  5. Position snowthrower on a level surface. Next, fill crankcase with oil: refer to Fill Crankcase With Oil, page 14. Wipe up any oil that may have spilled.

## Auger Gear Box Grease

The auger gear box grease level must be checked at time of snowthrower assembly, after every 10 hours of use and upon removal from annual storage. To check the auger gear box grease level:

1. Position snowthrower on a level surface.
2. Clean area around pipe plug so dirt is removed.
3. Remove pipe plug from gear box (Fig. 23).
4. Check level of grease in gear box. Grease must be visible through opening.
5. If level of grease is low, add MAG-1 grease (a low temperature, high pressure grease, Toro part no. 505–101) to the gear box until point of overflow.

**Note:** Only use low temperature, high pressure grease in gear box.

6. Reinstall pipe plug in gear box.

## Adjusting Auger/Impeller Drive Belt

If auger/impeller belt slips, resulting in decreased snowthrowing performance, either an adjustment or a new belt is required.

1. Check adjustment per steps 4–6 of Install Auger/Impeller Drive Control Linkage, page 12. Make adjustments if required.
2. Check tension of belt by operating the auger/impeller. **If belt still slips, replace the belt. USE ONLY GENUINE TORO REPLACEMENT PARTS.**

## Replacing Auger/Impeller Drive Belt

When auger/impeller drive belt (Fig. 24) becomes worn, stretched, oil-soaked or otherwise damaged, belt replacement is required.

1. Pull wire off spark plug and make sure it does not contact the plug accidentally.
2. Remove (2) screws holding belt cover in place and set cover aside (Fig. 24).
3. Remove auger/impeller drive belt from engine pulley and large auger/impeller pulley (Fig. 25).
4. Install new belt around large auger/impeller pulley (Fig. 25). Next, loop belt over engine pulley, making sure that belt is on inside of idler pulley and belt guide (Fig. 25).
5. Adjust auger/impeller drive linkage. Refer to steps 4–6 of Install Auger/Impeller Drive Control Linkage, page 12.
6. Reinstall belt cover with (2) screws.

## Replacing Traction Drive Belt

When traction drive belt becomes worn, stretched, oil-soaked or otherwise defective, belt replacement is required.

1. Pull wire off spark plug and make sure it does not contact the plug accidentally.
2. Drain gasoline from fuel tank. Refer to Draining Gasoline, page 19.
3. Remove (2) screws holding belt cover in place and set cover aside (Fig. 24).
4. Remove auger/impeller drive belt from engine pulley and large auger/impeller pulley (Fig. 25).
5. Tip snowthrower forward and block it so it cannot fall.
6. Remove (4) screws securing bottom cover to frame (Fig. 20). Remove bottom cover.
7. Disconnect spring from notch in bottom edge of side plate (Fig. 26).

## CAUTION

### POTENTIAL HAZARD

- Spring is under heavy tension.

### WHAT CAN HAPPEN

- Spring could be thrown in operator's or bystander's direction.

### HOW TO AVOID THE HAZARD

- Use caution when removing spring.

8. Set unit upright and remove traction drive belt from engine pulley and large traction pulley (Fig. 25).
9. Install new belt around large traction pulley. Next, loop belt over engine pulley, making sure that belt is on inside of belt guide (Fig. 25).
10. Tip snowthrower forward and block it so it cannot fall.
11. Hook spring into notch in bottom edge of side plate (Fig. 26).
12. Replace bottom cover with four screws and set unit upright.

13. Reinstall auger/impeller drive belt around large auger/impeller pulley and engine pulley, making sure that belt is on inside of idler pulley and belt guide (Fig. 25).

**Note:** If auger/impeller drive belt is replaced with a new belt, adjust auger/impeller drive linkage. Refer to steps 4–6 of Install Auger/Impeller Drive Control Linkage, page 12.

14. Reinstall belt cover with (2) screws.

## Adjusting Traction Drive

If speed selector shifts properly but snowthrower does not drive in reverse or forward speeds, an adjustment may be required.

1. Check adjustment per steps 5 and 6 of Install Traction Rod, page 12. Make adjustments if required.
2. If linkage is adjusted correctly and problem persists, contact your local Authorized Toro Service Dealer.

## Adjusting Speed Selector

If there is slow or no ground speed in No.1 speed selection, or speed selector cannot be moved into No. 3 speed selection, an adjustment of the speed selector linkage is required.

1. Pull wire off spark plug and make sure wire does not contact plug accidentally.
2. Remove (4) screws securing bottom cover to frame. Remove cover (Fig. 20).
3. Loosen flange nuts securing selector plate to control panel. This allows selector plate to move freely for adjustment (Fig. 27).
4. Shift speed selector to third gear and push down on speed selector plate to move drive assembly to the right. Drive assembly should be 1/8" from roll pin; if not, slide selector plate (Fig. 27) until 1/8" dimension is correct (Fig. 28).

5. With drive assembly  $\frac{1}{8}$ " from contacting roll pin, tighten flange nuts securing speed selector plate.
6. Shift speed selector to R (REVERSE) and back to third to check adjustment. If space between roll pin and drive assembly is more than  $\frac{3}{16}$  of an inch (4.8 mm), repeat steps 2–4.
7. Reassemble bottom cover with (4) screws.

## Adjusting Carburetor

The carburetor has been adjusted at the factory, but an occasional adjustment may be required.

1. Remove (3) screws, (3) lock washers, and (3) washers securing muffler guard to engine (Fig. 16). Remove muffler guard.
2. Remove (3) Phillips screws and (1) hex head screw securing heater box in place (Fig. 16). Pull choke knob off choke rod (Fig. 15).
3. Lift heater box up and away from the engine, and reinstall choke knob on mounting pin.
 

**Note:** Skip steps 4 and 5 if the engine will start and run.
4. Power Adjusting Screw (Fig. 29)—Close screw by gently rotating it clockwise until a slight seating resistance is felt. Next, rotate power adjusting screw one full turn— $360^\circ$ —counterclockwise.

**IMPORTANT: Do not close power adjusting screw or idle mixture screw too tight because the screw and seat will likely be damaged.**

5. Idle Mixture Screw (Fig. 29)—Close screw by gently rotating it clockwise until a slight seating resistance is felt. Next, rotate idle mixture screw  $1\frac{1}{2}$  full turns counterclockwise.
6. Start engine and let it warm up for approximately 3 to 5 minutes; then move throttle to FAST.

### WARNING

#### POTENTIAL HAZARD

- Engine must be running so final adjustment of the carburetor can be performed.

#### WHAT CAN HAPPEN

- When snowthrower is in operation, impeller and auger can be rotating.

#### HOW TO AVOID THE HAZARD

- Move auger/impeller drive and traction drive controls to DISENGAGE.
- Keep hands, feet, face, and other parts of your body or clothing away from muffler, auger/impeller, discharge chute, and any moving part(s).

### WARNING

#### POTENTIAL HAZARD

- Engine exhaust contains carbon monoxide.

#### WHAT CAN HAPPEN

- Carbon monoxide is an odorless, deadly poison.

#### HOW TO AVOID THE HAZARD

- Do not run engine indoors or in an enclosed area.

7. Rotate power adjusting screw (Fig. 29) clockwise—in— $\frac{1}{8}$  turn at a time until engine misses because of a lean gasoline mixture. Then rotate screw counterclockwise—out— $\frac{1}{8}$  turn at a time until engine runs unevenly because of a rich gasoline mixture. Next, rotate power adjusting screw clockwise, back to the midpoint between the rich and lean settings, so engine runs smoothly.

**Note:** Wait several seconds between each  $\frac{1}{8}$  turn setting so engine can adjust to the new fuel mixture.

8. Move throttle to idle speed. Next, rotate idle speed screw until engine idles fast—1750 rpm.

9. Rotate idle mixture screw (Fig. 29) clockwise—in—1/8 turn at a time until engine begins to miss because of a lean mixture. Then rotate screw counterclockwise—out—1/8 turn at a time until engine runs unevenly because of rich mixture. Next, rotate idle mixture screw clockwise, back to the mid-point between rich and lean settings.

**Note:** Wait several seconds between each 1/8 turn setting so engine can adjust to the new fuel mixture.

10. Again, rotate idle speed screw (Fig. 29) until engine idles at 1750 rpm.
11. Check carburetor adjustment by quickly moving throttle from low speed to high speed. Engine should accelerate without hesitation or sputtering. If engine does not accelerate properly, adjust carburetor to a slightly richer mixture. Also, if engine falters under load, open power adjusting screw 1/8 turn counterclockwise.
12. After carburetor is adjusted, shut engine off before reinstalling carburetor heater box and muffler guard.
13. Reinstall choke knob on mounting pin.

## Replacing Spark Plug

Use a Champion RJ-19LM spark plug or equivalent. Set air gap at 0.030" (0.76 mm). Check spark plug yearly or every 100 operating hours. If electrodes in center of plug are dark or have deteriorated, install a new plug.

1. Clean area around spark plug so foreign matter cannot fall into cylinder when plug is removed.
2. Pull wire off spark plug (Fig. 16) and remove plug from cylinder head.

**IMPORTANT: A cracked, fouled or dirty spark plug must be replaced. Do not sand blast, scrape or clean electrodes because grit**

**may eventually release from the plug and fall into the cylinder. The result will likely be engine damage.**

3. Set air gap between electrodes of new spark plug at 0.030" (0.76 mm) (Fig. 30). Next, install spark plug in cylinder head. Tighten plug to 15 ft-lb (20.4 N·m).
4. Push the wire onto the spark plug (Fig. 16).

## Preparing Snowthrower For Storage

### 1. FUEL SYSTEM PREPARATION—

**Note:** A fuel stabilizer/conditioner is most effective when mixed with fresh gasoline.

- Add Toro Stabilizer/Conditioner to the fuel tank (one ounce per gallon of fuel).
  - Run engine for ten minutes to distribute conditioned fuel through fuel system.
  - Stop engine, allow it to cool, and drain fuel tank or run engine until it stops.
  - Restart the engine again and run it until it stops.
  - Either choke or prime the engine, restart it a third time and run engine until it will not restart.
  - Dispose of fuel properly. Recycle per local codes.
  - **DO NOT store STABILIZED gasoline over 90 days.**
2. Remove spark plug from cylinder head. Next, pour two teaspoons of engine oil into spark plug hole in cylinder head. Install spark plug in cylinder head, but do not install wire on the plug. Then pull recoil starter slowly to distribute oil on inside of cylinder.
  3. Lubricate the snowthrower: refer to Lubricating Snowthrower, page 19. Change crankcase oil: see Changing Crankcase Oil, page 19.

- 
4. Clean the snowthrower. Touch up chipped surfaces with paint. Toro Re-Kote paint is available from an Authorized TORO Service Dealer. Sand affected areas before painting, and use a rust preventative to prevent metal parts from rusting.
  5. Tighten all screws and nuts. If any part is damaged, repair or replace it.
  6. STORE SNOWTHROWER—Cover

snowthrower and store in a clean, dry place out of the reach of children. **NEVER STORE SNOWTHROWER IN HOUSE (LIVING AREA) OR BASEMENT WHERE IGNITION SOURCES MAY BE PRESENT SUCH AS HOT WATER AND SPACE HEATERS, CLOTHES DRYERS, AND THE LIKE BECAUSE GASOLINE AND FUMES ARE HIGHLY FLAMMABLE, EXPLOSIVE, AND DANGEROUS IF INHALED.** Allow engine to cool before storing in any enclosure.

## Table des matières

	Page
Introduction .....	1
Sécurité .....	2
Avant d'utiliser la déneigeuse .....	2
Pendant l'utilisation .....	3
Entretien de la déneigeuse .....	4
Niveau de pression acoustique .....	5
Niveau de puissance acoustique .....	5
Niveau de vibrations .....	5
Signification des pictogrammes .....	7
Pièces détachées .....	11
Accessoires .....	11
Assemblage .....	12
Montage du mancheron .....	12
Montage de la tige de changement de vitesse .....	12
Montage de la tige de traction .....	12
Montage de la tringlerie de commande de tarière/roue hélice .....	13
Montage de la tige d'orientation de l'éjecteur .....	13
Montage du déviateur .....	14
Contrôle de la pression des pneus .....	14
Avant la mise en marche .....	14
Plein d'huile du carter-moteur .....	14
Remplissage du réservoir d'essence .....	15
Utilisation .....	16
Commandes .....	16
Démarrage/arrêt du moteur .....	16
Conseils d'utilisation .....	17
Réglage des patins et de la lame racleuse .....	18
Entretien .....	19
Vidange de l'essence .....	19
Lubrification de la déneigeuse .....	20
Vidange de l'huile du carter-moteur .....	20
Graissage de la boîte d'engrenages de tarière .....	20
Réglage de la courroie d'entraînement de tarière/roue hélice .....	21

Remplacement de la courroie d'entraînement de tarière/roue hélice ...	21
Remplacement de la courroie d'entraînement de traction .....	21
Réglage de l'entraînement de traction .....	22
Réglage du changement de vitesse .....	22
Réglage du carburateur .....	23
Remplacement de la bougie .....	24
Remisage .....	24

## Introduction

Merci pour votre achat d'un produit Toro.

Chez Toro, notre but à tous est que vous soyez entièrement satisfait de votre nouveau produit. N'hésitez donc pas à contacter votre concessionnaire agréé local qui tient à votre disposition un service d'entretien et de réparations, des pièces détachées et toute information qui pourrait vous être utile.

Chaque fois que vous contactez votre concessionnaire agréé, préparez les numéros de modèle et de série du produit. Ces numéros aideront le concessionnaire ou le représentant du service après-vente à vous fournir des informations précises sur votre machine. Les numéros de modèle et de série de l'appareil sont indiqués sur une décalcomanie comme illustré à la figure 1.

A titre de référence, notez les numéros de modèle et de série du produit dans l'espace ci-dessous.

<p><b>No. de modèle :</b> _____</p> <p><b>No. de série :</b> _____</p>
--

Lisez attentivement ce manuel pour vous familiariser avec l'utilisation et l'entretien de votre produit. La lecture de ce manuel est importante pour éviter des accidents et des dégâts matériels. Bien que Toro conçoive, fabrique et commercialise des produits sûrs, à la pointe de la technologie, il vous incombe d'utiliser ce produit correctement, dans le respect des

---

consignes de sécurité, et d'apprendre à toute personne à qui vous permettez d'utiliser la machine comment l'utiliser sans danger.

Les mises en garde de ce manuel soulignent les dangers potentiels et contiennent des messages de sécurité spécifiques destinés à éviter des blessures ou même la mort. Les mises en garde sont intitulées DANGER, ATTENTION et PRUDENCE, selon le degré de danger. Quel que soit ce degré, soyez toujours extrêmement prudent.

**DANGER** signale un danger sérieux, entraînant inévitablement des blessures graves, voire mortelles, si les précautions recommandées ne sont pas respectées.

**ATTENTION** signale un danger pouvant entraîner des blessures graves, voire mortelles, si les précautions recommandées ne sont pas respectées.


**PRUDENCE** signale un danger pouvant entraîner des blessures légères ou modérées si les précautions recommandées ne sont pas respectées.

Deux autres termes sont également utilisés pour faire passer des informations essentielles : "Important", pour attirer l'attention sur des données mécaniques spécifiques, et "Remarque", pour des informations d'ordre général méritant une attention particulière.

Pour déterminer les côtés gauche et droit de la machine, tenez-vous en position normale de conduite, derrière les mancherons.

## Sécurité

**La déneigeuse 724 satisfait les normes de sécurité de l'institut des machines à moteur d'extérieur OPEI (Outdoor Power Equipment Institute) relatives aux déneigeuses, et arbore donc avec fierté le sceau de sécurité de l'OPEI. Pour bénéficier d'un maximum de sécurité et de rendement et bien connaître la machine, il est essentiel que tout utilisateur de la machine lise et comprenne le contenu de ce manuel avant de mettre le moteur en marche. Faites**

**particulièrement attention aux symboles de sécurité  qui signifient DANGER, ATTENTION ou PRUDENCE et concernent la sécurité des personnes. Veillez à lire et bien comprendre ces directives qui portent sur votre sécurité. Ne pas les respecter, c'est risquer de se blesser.**

Les instructions qui suivent sont comparables aux Consignes de sécurité pour l'utilisation de déneigeuses adoptées par L'ANSI (American National Standards Institute). Cette déneigeuse a été conçue et testée pour garantir un fonctionnement efficace et relativement sûr, pourvu que l'on respecte les instructions qui suivent. **NE PAS LES RESPECTER, C'EST S'EXPOSER A DES DANGERS.**

**ATTENTION :** Les gaz d'échappement du moteur contiennent du monoxyde de carbone, un gaz inodore mortellement dangereux, également considéré en Californie comme susceptible de provoquer des malformations congénitales. Ne pas faire tourner le moteur à l'intérieur ou dans un endroit clos.

## Avant d'utiliser la déneigeuse

7. Lisez et assimilez le contenu de ce guide avant de mettre la machine en marche et de l'utiliser. Familiarisez-vous avec toutes les commandes et apprenez à arrêter le moteur rapidement.
8. Ne laissez personne, en particulier les enfants et les animaux domestiques, s'approcher de la machine en marche. Ne laissez jamais un enfant conduire la déneigeuse. L'utilisation de la déneigeuse doit être réservée à des adultes ayant pris connaissance du contenu de ce manuel.
9. Inspectez soigneusement les lieux et enlevez les paillasons, traîneaux, planches, bouts de bois, fils et tout objet que la déneigeuse pourrait happer et projeter.
10. Maintenez toutes les gardes et autres dispositifs de sécurité en place. Avant d'utiliser la machine, réparez ou remplacez tout dispositif de sécurité, garde ou décalcomanie manquant(e) ou endommagé(e). Resserrez également tous les écrous, boulons et vis si besoin en est.

- 
11. Portez des vêtements d'hiver appropriés et des chaussures qui vous permettront de maintenir votre équilibre sur les surfaces glissantes. Ne portez pas de vêtements amples qui risquent de s'accrocher dans les pièces mobiles.
  12. Portez des lunettes de sécurité lors de toute utilisation de la machine et de toute intervention de réglage ou de réparation, pour vous protéger les yeux des objets qui pourraient être projetés.
  13. Réglez les deux patins pour que le carénage de tarière/roue hélice ne touche pas le gravier ou les surfaces empierrées.
  14. Avant de démarrer le moteur, vérifiez que les commandes de tarière et de traction (embrayage des roues) soient en position débrayée.
  15. Servez-vous toujours d'une prise et d'un cordon électrique à trois fils avec mise à la terre pour faire démarrer une déneigeuse à démarreur électrique. Branchez le cordon prolongateur dans une prise de courant correctement mise à la terre.
  16. Faites le plein du réservoir d'essence avant de mettre le moteur en marche. Evitez de renverser de l'essence. Comme l'essence est très inflammable, manipulez-la avec soin. **NE FUMEZ PAS A PROXIMITE D'ESSENCE.**
    - A. Servez-vous d'un récipient homologué pour l'essence.
    - B. Remplissez le réservoir de carburant exclusivement à l'extérieur. **N'AJOUTEZ JAMAIS DE CARBURANT SI LE MOTEUR TOURNE OU EST CHAUD.** Le moteur doit être froid afin de réduire les risques d'incendie.
    - C. Les gaz d'échappement étant dangereux, voire mortels, toujours ouvrir les portes si le moteur doit être démarré dans un garage ou un local clos. Ne faites jamais tourner le moteur dans un endroit confiné.
    - D. Essuyez toute essence renversée et refermez bien le bouchon du bidon d'essence et le bouchon du réservoir d'essence de la déneigeuse avant de faire démarrer le moteur.
- ## Pendant l'utilisation
17. **LA ROUE HELICE OU LA TARIERE EN ROTATION PRESENTENT UN DANGER DE SECTIONNEMENT OU DE BLESSURE POUR LES MAINS ET LES DOIGTS. DEMEUREZ DERRIERE LE MANCHERON ET N'APPROCHEZ PAS L'OUVERTURE D'EJECTION PENDANT QUE VOUS UTILISEZ LA DENEIGEUSE. GARDEZ LES PIEDS, LES MAINS, LE VISAGE ET TOUTE AUTRE PARTIE DU CORPS OU DE VOS VETEMENTS A L'ECART DES PIECES CACHEES, MOBILES OU TOURNANTES.**
  18. **AVANT DE REGLER, NETTOYER, REPARER OU VERIFIER LA DENEIGEUSE, ET DE DESOBSTRUER L'EJECTEUR, COUPEZ LE MOTEUR ET ATTENDEZ L'ARRET DE TOUTES LES PIECES MOBILES. DECONNECTEZ LE FIL DE LA BOUGIE ET TENEZ-LE A L'ECART DE CELLE-CI AFIN D'EVITER UN DEMARRAGE ACCIDENTEL. SI L'EJECTEUR EST OBSTRUE, DEGAGEZ-LE A L'AIDE D'UN BATON, JAMAIS A LA MAIN.**
  19. Avant de quitter la position de conduite (derrière les mancherons), retirez la clé de contact si vous comptez laisser la déneigeuse sans surveillance.
  20. Laissez le moteur chauffer à l'extérieur avant de déneiger.
  21. N'utilisez jamais votre déneigeuse à moins de disposer d'une visibilité et d'un éclairage suffisants. Veillez à ne pas perdre l'équilibre et tenez bien les poignées des mancherons, particulièrement en marche arrière. Marchez, ne courez jamais.

- 
22. Quand vous utilisez la déneigeuse, veillez à éviter les trous du terrain et autres dangers cachés. Soyez particulièrement prudent lorsque vous déneigez une allée de gravier, car la déneigeuse risque de happer et projeter des pierres si vous n'avez pas réglé les patins pour que le carénage de tarière/roue hélice ne touche pas le gravier.
  23. Ne faites jamais de réglage quand le moteur est en marche, à l'exception des réglages au carburateur.
  24. Ne dirigez jamais l'éjecteur vers autrui et n'utilisez pas la déneigeuse à proximité immédiate de personnes, constructions vitrées, véhicules automobiles, fenêtres ou déclivités, sans avoir réglé correctement l'éjecteur et le déviateur.
  25. Déneigez les pentes en montant et en descendant, jamais en travers, et faites attention quand vous changez de direction. Rétrogradez pour déneiger sur une pente. Ne déneigez jamais les pentes raides.
  26. Ne surchargez jamais la déneigeuse en déblayant trop vite.
  27. N'utilisez pas la déneigeuse sur un toit.
  28. Si la déneigeuse heurte un obstacle ou vibre de façon anormale, arrêtez le moteur en tournant la clé de contact en position d'arrêt (OFF) et attendez l'arrêt complet de toutes les pièces mobiles. Débranchez le fil de la bougie et inspectez la déneigeuse immédiatement pour déceler tout défaut, obstruction ou pièce éventuellement desserrée. Les vibrations sont généralement le signe d'un problème. Réparez les dégâts avant de remettre le moteur en marche et de vous servir à nouveau de la déneigeuse.
  29. Ne touchez jamais au moteur en marche ou juste après l'avoir arrêté, car il peut être très chaud et vous brûler. N'ajoutez pas d'huile et n'en vérifiez pas le niveau dans le carter pendant que le moteur est en marche car ce peut être dangereux.

30. N'utilisez jamais la déneigeuse à grande vitesse sur un sol glissant. Soyez prudent quand vous reculez.

## Entretien de la déneigeuse

31. N'effectuez que les travaux d'entretien mentionnés dans le manuel. Arrêtez le moteur avant tout entretien ou réglage. Débranchez également le fil à haute tension de la bougie et tenez-le à l'écart de la bougie pour éviter tout démarrage accidentel du moteur. Si l'appareil nécessite de grosses réparations, faites appel au concessionnaire autorisé de vente et d'entretien TORO.
32. Pour garder la déneigeuse en état de fonctionner correctement et sans danger, veillez à ce que tous les écrous, vis et boulons soient toujours bien serrés. Contrôlez fréquemment le serrage des boulons de montage du moteur.
33. Ne faites pas tourner le moteur à vitesse excessive en modifiant le réglage du régulateur.
34. Ne jamais remiser la déneigeuse pleine de carburant dans un endroit clos où se trouvent des sources inflammables telles que: étincelles, flammes nues, eau chaude, sèche-linge, radiateurs,... Laisser refroidir le moteur dans un garage ou un abri. **NE JAMAIS RANGER LA DENEIGEUSE A L'INTERIEUR DE LA MAISON (DANS UNE PIECE HABITABLE). EN EFFET, L'ESSENCE ET LES GAZ D'ECHAPPEMENT SONT TRES INFLAMMABLES, EXPLOSIFS ET TOXIQUES.** Ne pas ranger la déneigeuse à proximité de flammes nues ni de vapeurs d'essence qui, au contact d'étincelles, pourraient prendre feu.
35. Quand vous remisez la déneigeuse pour une longue période (30 jours ou à la fin de la saison), videz l'essence du réservoir pour éviter les risques d'incendie. Conservez l'essence dans un bidon agréé à cet usage. Retirez la clé de contact et gardez-la dans un endroit dont vous vous souviendrez.

- 
36. A sa sortie d'usine, votre déneigeuse était conforme voire supérieure aux normes de sécurité relatives aux machines de déneigement. Pour conserver les meilleurs résultats et la plus haute sécurité, achetez toujours des pièces de rechange et des accessoires authentiques TORO pour que votre TORO demeure une TORO à tout égard. **N'UTILISEZ JAMAIS DE PIÈCES DE RECHANGE ET D'ACCESSOIRES SOI-DISANT COMPATIBLES.**
37. Pour des raisons de sécurité, n'utilisez que des accessoires recommandés par la société TORO afin de préserver la sécurité garantie du produit. Si vous utilisez des accessoires qui ne sont pas approuvés, c'est une source possible de danger.

## Niveau de pression acoustique

Cette machine produit un niveau de pression acoustique à l'oreille de l'utilisateur de 90 dB(A), déterminé sur base de mesures de machines identiques selon la directive 81/1051/CEE.

## Niveau de puissance acoustique

Cette machine produit un niveau de puissance acoustique de 104 LwA, déterminé sur base de mesures de machines identiques selon la directive 79/113/CEE.

## Niveau de vibrations

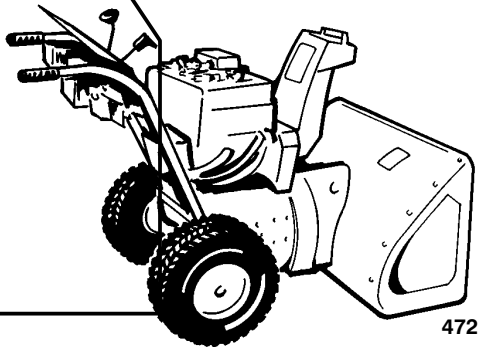
Cette machine expose les mains et les bras à un niveau de vibrations maximum de 19,3 m/s<sup>2</sup>, déterminé sur base de mesures de machines identiques, selon EN 1033.

## AVANT LA MISE EN MARCHÉ

Lisez et assimilez le contenu de ce guide avant de mettre la machine en route. Familiarisez-vous avec toutes les commandes et apprenez à arrêter le moteur rapidement.

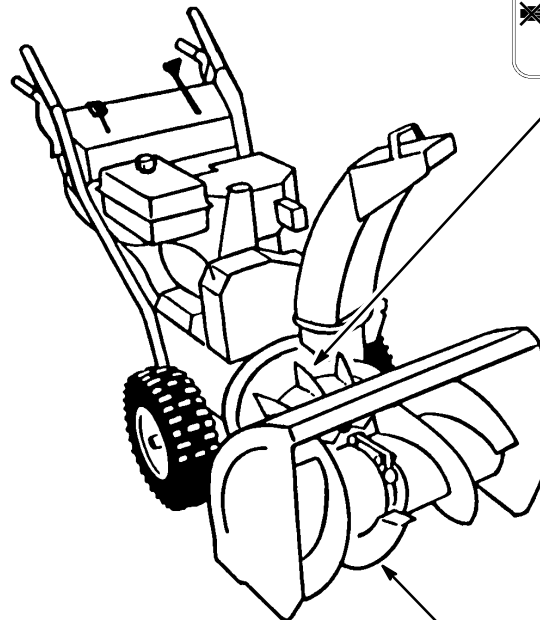


POSITION  
DE CONDUITE



**ATTENTION : L'USAGE INCORRECT  
PEUT ENTRAÎNER L'AMPUTATION DE  
DOIGTS OU D'ORTEILS.**

**ROUE-HELICE A ROTATION  
RAPIDE A MOINS DE 5 CM (2")  
DE L'OUVERTURE.**

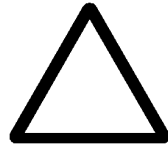


**POINT DE PINCEMENT  
MOBILE DE LA TARIERE  
A ROTATION LENTE  
PRES DE L'OUVERTURE.**



# Signification des pictogrammes

Triangle de danger - le pictogramme à l'intérieur indique la nature du risque



Signal de danger



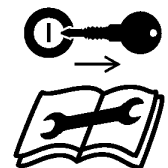
Lire le mode d'emploi



Suivre la procédure d'entretien décrite dans le manuel



Couper le moteur et retirer la clé de contact avant d'entreprendre tout entretien ou réparation



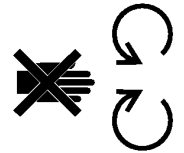
Couper le moteur et retirer la clé de contact avant de quitter la position de conduite - déneigeuse à un étage



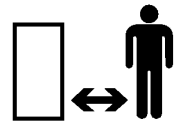
Couper le moteur et retirer la clé de contact avant de quitter la position de conduite - déneigeuse à deux étages



Ne pas ouvrir ou retirer les boucliers de protection tant que le moteur tourne



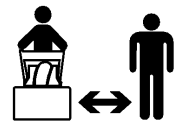
Rester à une distance suffisante de la machine



Rester à une distance suffisante de la machine - déneigeuse à un étage



Rester à une distance suffisante de la machine - déneigeuse à deux étages



Projection d'objets - risques pour tout le corps



Electrocution



Coupure ou coincement du pied - rotation de la tarière



Sectionnement des  
doigts ou de la main -  
lames de roue hélice



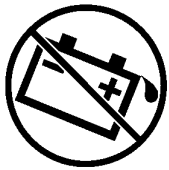
Surfaces brûlantes -  
brûlure des doigts ou  
des mains



Liquides caustiques -  
brûlures chimiques  
aux doigts ou aux  
mains



Ne pas incliner la  
batterie



Conserver au sec



Sens de marche de la  
machine - marche  
avant



Sens de marche de la  
machine - marche  
arrière



Démarrage électrique



Perte de contrôle de la  
machine en montée



Perte de contrôle de la  
machine en descente



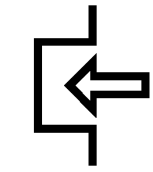
Entraînement des  
roues



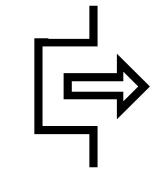
Tarière de  
prélèvement de la  
neige



Embrayer



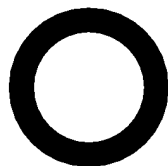
Débrayer



Marche/On



Arrêt/Off



Rapide



Lent



Réduction/  
augmentation



Démarrage du moteur



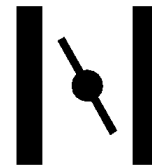
Arrêt du moteur



Orientation de  
l'éjecteur



Starter



Régime moteur  
(commande des gaz)



Point mort



Roue hélice/tarière de  
prélèvement de la  
neige



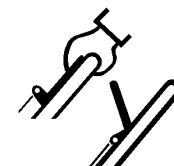
Verrouiller



Déverrouiller



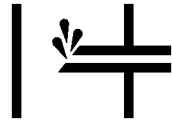
Actionnement du  
levier



Actionnement du  
levier



Amorceur (aide au démarrage)



Essence sans plomb



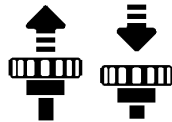
Actionnement de l'amorceur



Coupure des doigts ou de la main



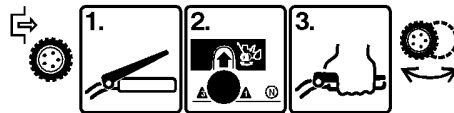
Actionnement de la commande des gaz



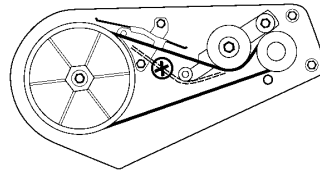
Coupure au pied



Actionnement du PowerShift



Trajet de la courroie



# Pièces détachées

DESCRIPTION	QTE	UTILISATION
Goupille fendue	1	Montage de la tige de changement de vitesse
Rondelle plate	1	
Vis six pans et rondelles convexes	4	Montage du mancheron
Axe de chape	1	Montage de la tige de commande de traction et de tarière/roue hélice
Goupille fendue	1	
Ecrou à collerette	2	
Boulon six pans et contre-écrou	1	Montage de la tige d'orientation de l'éjecteur
Contre-écrou et rondelle pyramidale	1	
Boulon de carrossier	1	Montage du déviateur
Rondelle en caoutchouc	1	
Plaque de frottement	1	
Grande rondelle plate	1	
Rondelle convexe	1	
Contre-écrou	1	
Clé de contact	1	Actionnement du commutateur d'allumage
Carte d'enregistrement	1	Validation de la garantie du produit
Caractéristiques et construction susceptibles de modifications sans préavis.		

# Accessoires

DESCRIPTION	REFERENCE
Kit de démarrage électrique 110 V AC	23-3790
Chaînes pour pneus	56-2700
Brise-congères	37-7021

---

# Assemblage

**Remarque :** Pour déterminer les côtés gauche et droit de la déneigeuse, tenez-vous en position normale de conduite.

## Montage du mancheron

1. Enlevez les attaches qui lient les tiges de commande au mancheron.
2. Retirez les goupilles d'essieu des deux roues et faites glisser les roues d'environ un pouce (2,5 cm) vers l'extérieur afin de laisser de la place pour le montage des mancherons.
3. Présentez le mancheron de gauche sur le côté de la machine, face aux trous de montage dans le panneau latéral, et fixez-le à l'aide de deux boulons six pans et rondelles convexes. Serrez à la main (Fig. 2).

**Remarque :** Le côté concave de la rondelle doit être tourné vers l'extérieur du mancheron.

Répétez l'opération du côté droit. Vérifiez que les mancherons sont bien à la même hauteur avant de serrer les vis de chaque côté de la machine.

4. Remontez les roues. L'extrémité de l'essieu comporte deux trous. Les goupilles d'essieu doivent être insérées dans le moyeu de roue et le trou intérieur de l'essieu (Fig. 3).

**Remarque :** Si la déneigeuse doit être équipée de chaînes à neige, insérez les goupilles dans le trou extérieur de l'essieu.

## Montage de la tige de changement de vitesse

1. Tirez le bras de changement de vitesse à fond vers l'extérieur (Fig. 4) et mettez le changement de vitesse (Fig. 6) du panneau de commande en position R (marche arrière) pour faciliter le montage.
2. Insérez la tige de changement de vitesse dans le bras, mettez une rondelle plate sur la tige et fixez le tout à l'aide d'une goupille fendue (Fig. 4).

## Montage de la tige de traction

1. Vissez un écrou à collerette (collerette vers le bas) sur la tige de traction, du côté gauche du mancheron (Fig. 5).
2. Insérez la tige de traction dans la boucle de la tige de traction inférieure (Fig. 5).
3. Vissez un écrou à collerette (collerette vers le haut) sur le bas de la tige de traction, sous la boucle de la tige de traction inférieure (Fig. 5).
4. Faites monter ou descendre les écrous à collerette sur la tige de traction jusqu'à ce que l'écart entre la poignée et le bout de la manette (Fig. 6 et 7) soit d'environ 11 cm (4<sup>3</sup>/<sub>8</sub>" ). **Ceci est un réglage préliminaire.** Serrez les deux écrous à collerette à la main.
5. Mettez le changement de vitesse (Fig. 6) en troisième vitesse.

**Remarque :** S'il n'est pas possible de passer la troisième vitesse, réglez le changement de vitesse comme expliqué à la rubrique Réglage du changement de vitesse, page 22. Effectuez ce réglage avant de continuer le montage.

6. Tirez lentement la machine en arrière en serrant progressivement la manette de commande de traction vers la poignée. Le réglage est correct si les roues cessent de tourner quand le bout de la manette de commande de traction est à un à 2,5 à 5 cm (1-2") de la poignée (Fig. 7). Corrigez la position des deux écrous à collerette si nécessaire pour obtenir cet écartement, puis serrez fermement les deux écrous.

## Montage de la tringlerie de commande de tarière/roue hélice

1. Desserrez l'écrou de blocage au-dessus de la chape sur la tige de commande supérieure (Fig. 8).
2. Alignez les trous de la chape et de la tige de commande inférieure et insérez l'axe de chape (Fig. 8).
3. Vérifiez la distance entre le bout de la manette de tarière/roue hélice et la poignée du mancheron (Fig. 6 et 9). L'écartement doit être d'environ 10 cm (4"). **Ceci n'est qu'un réglage préliminaire.**
4. Serrez lentement la manette de commande de tarière/roue hélice vers la poignée. La résistance augmente de manière perceptible lorsque la courroie d'entraînement devient tendue (à peu près à mi-course de la manette). Le réglage est correct si la résistance commence à augmenter quand le bout de la manette de commande de tarière/roue hélice se trouve à 2,5 à 5 cm (1-2") de la poignée.

---

**Remarque :** Si la résistance n'augmente pas de manière perceptible, déposez le carter de courroie (voir Remplacement de la courroie d'entraînement de tarière/roue hélice, page 1, points 2 et 21) et mesurez l'écartement de 2,5 à 5 cm (1 à 2") entre la manette et la poignée, au point où le mou est éliminé de la courroie.

5. Pour corriger l'écartement, retirez l'axe de chape, desserrez l'écrou de blocage et faites monter ou descendre la chape sur le filetage selon que vous désirez accroître ou réduire l'écart entre la poignée et la manette de tarière/roue hélice (Fig. 8).
6. Quand le réglage est correct, replacez l'axe de chape et attachez-le à l'aide de la goupille fendue. Serrez l'écrou de blocage pour fixer la chape (Fig. 8).

## Montage de la tige d'orientation de l'éjecteur

1. Fixez le support et la tige d'orientation de l'éjecteur du côté gauche du mancheron à l'aide du boulon six pans et du contre-écrou. Ne serrez pas le contre-écrou tant que le montage de l'ensemble n'est pas terminé (Fig. 10).
2. Appliquez de la graisse multi-usage No. 2 sur la vis sans fin, et montez la vis sans fin et l'étrier sur son support. Fixez à l'aide de la rondelle pyramidale et du contre-écrou (Fig. 11).
3. Engagez la vis sans fin dans les dents de la couronne de l'éjecteur et serrez le contre-écrou (Fig. 11).
4. Serrez ensuite le contre-écrou qui fixe le support de la tige d'orientation de l'éjecteur au mancheron gauche (Fig. 10).
5. Vérifiez le fonctionnement de la tige d'orientation de l'éjecteur. Si elle grippe, déplacez légèrement la vis sans fin vers l'extérieur.

---

## Montage du déviateur

1. Faites tourner le déviateur vers le haut et l'arrière jusqu'à ce que sa butée passe par-dessus le rebord du haut de l'éjecteur.
2. Fixez le côté gauche du déflecteur à la goulotte de l'éjecteur en montant les pièces comme illustré à la figure 12. Vérifiez que la rondelle de caoutchouc et la plaque de frottement se trouvent entre l'éjecteur et le déviateur et que les languettes de la plaque de frottement sont insérées dans les orifices du déviateur. La figure 12 indique l'ordre correct de montage des pièces.

**Remarque :** Le côté concave de la rondelle convexe doit être dirigé vers l'extérieur du mancheron.

3. Serrez les écrous des deux côtés du déviateur. Ne les serrez pas trop, pour que la modification de l'angle du déviateur ne demande pas un effort excessif.

## Contrôle de la pression des pneus

**Important :** Vérifiez la pression des pneus, qui sont surgonflés à l'usine pour l'expédition. Avant d'utiliser la déneigeuse, réduisez la pression des pneus à une même valeur, de 48 à 103 kPa (7 à 15 psi).

## Avant la mise en marche

### Plein d'huile du carter-moteur

Le moteur est expédié de l'usine sans huile dans le carter. Il faut donc faire le plein d'huile avant de tenter de mettre le moteur en marche.

**Important :** Vérifiez le niveau d'huile toutes les 5 heures de marche du moteur ou chaque fois que vous utilisez votre déneigeuse. Vidangez l'huile après les deux premières heures d'utilisation puis, en conditions normales, toutes les 25 heures de marche du moteur, au moins une fois par an.

1. Disposez la déneigeuse sur une surface plane et horizontale pour avoir une indication précise du niveau d'huile.
2. Nettoyez tout autour de la jauge pour ne pas introduire d'impuretés dans l'ouverture de remplissage lors du retrait de la jauge.
3. Retirez la jauge du carter-moteur (Fig. 13).
4. Versez lentement environ 620 ml (21oz.) d'huile SAE 5W-30 ou SAE 10 dans l'ouverture de remplissage. Le moteur peut utiliser toute huile détergente de haute qualité de classe de service API (American Petroleum Institute) SE, SF ou SG.

**Remarque :** Pour mesurer exactement le niveau de l'huile, insérez la jauge à fond. NE REMPLISSEZ PAS TROP. VERSEZ L'HUILE LENTEMENT.

## DANGER

### DANGER POTENTIEL

- Dans certaines conditions, l'essence est extrêmement inflammable et hautement explosive.

### QUELS SONT LES RISQUES?

- Un incendie ou une explosion causés par l'essence peuvent occasionner des brûlures à vous ou à d'autres personnes, ainsi que des dégâts matériels.

### COMMENT SE PROTEGER?

- Utiliser un entonnoir et remplir le réservoir à l'extérieur, dans un endroit dégagé, lorsque le moteur est froid. Essuyer l'essence éventuellement répandue.
- Ne pas remplir le réservoir à ras bords. Le niveau d'essence doit arriver à 6 à 13 mm (1/4-1/2") sous le goulot de remplissage. L'espace au-dessus doit rester vide pour permettre à l'essence de se dilater.
- Ne pas fumer lorsqu'on manipule de l'essence, et se tenir à l'écart de toute flamme nue ou source d'étincelles.
- Conserver l'essence dans un récipient homologué, hors de la portée des enfants.
- Ne jamais acheter d'essence pour plus de 30 jours.

## Remplissage du réservoir d'essence

Utilisez de l'essence sans plomb propre et fraîche, éventuellement *oxygénée* ou *reformulée*, avec un indice d'octane de 85 ou plus. Pour garantir la fraîcheur de l'essence, ne faites pas de réserves pour plus de 30 jours. L'usage d'essence sans plomb réduit la formation de dépôts dans la chambre de combustion et augmente la durée de vie des bougies. L'utilisation d'essence super n'est pas nécessaire.

**Important :** NE JAMAIS UTILISER DE METHANOL, D'ESSENCE CONTENANT DU METHANOL, D'ESSENCE CONTENANT PLUS DE 10% D'ETHANOL (GASOHOL), DE SUPER OU D'ESSENCE BLANCHE, SOUS PEINE D'ENDOMMAGER LE SYSTEME D'ALIMENTATION DU MOTEUR.

Toro recommande également l'usage régulier de stabilisateur/conditionneur de carburant Toro dans toutes les machines Toro à moteur à essence, tant en période d'utilisation qu'en période de remisage. Le stabilisateur/conditionneur Toro nettoie le moteur pendant l'utilisation et empêche la formation de dépôts gommeux pendant le remisage.

**Remarque :** Les stabilisateurs/conditionneurs sont plus efficaces lorsqu'on les mélange à de l'essence fraîche.

**NE PAS UTILISER D'ADDITIFS AUTRES QUE CEUX CONÇUS POUR LA STABILISATION DU CARBURANT PENDANT L'ENTREPOSAGE, TELS QUE LE STABILISATEUR/CONDITIONNEUR TORO OU UN PRODUIT SIMILAIRE. LE STABILISATEUR/CONDITIONNEUR TORO EST UN PRODUIT À BASE DE DISTILLATS DE PETROLE. TORO DECONSEILLE L'USAGE DE STABILISATEURS A BASE D'ALCOOLS TELS QUE L'ETHANOL, LE METHANOL OU L'ALCOOL ISOPROPYLIQUE. NE PAS UTILISER D'ADDITIFS POUR TENTER D'AUGMENTER LES PERFORMANCES OU LA PUISSANCE DE LA MACHINE.**

1. Nettoyez autour du bouchon du réservoir de carburant (Fig. 13), retirez le bouchon et remplissez le réservoir d'essence normale sans plomb jusqu'à 6 à 13 mm (1/4 à 1/2") du haut du réservoir, pas dans le tube de remplissage, de façon à permettre l'expansion du carburant. Ne remplissez pas le réservoir à fond. Remettez le bouchon du réservoir d'essence.

---

# Utilisation

## Commandes

**Commande de tarière/roue hélice** (Fig. 14) - Cette commande a deux positions: EMBRAYEE et DEBRAYEE. Pour embrayer la tarière et la roue hélice, serrez la manette contre la poignée du mancheron de droite. Pour les débrayer, relâchez la manette.

**Commande de traction** (Fig. 14) - Pour embrayer la traction (entraînement des roues), serrez la manette contre la poignée du mancheron de gauche. Pour arrêter la traction, relâchez la manette.

**Changement de vitesse** (Fig. 14) - Le changement de vitesse a quatre positions: trois vitesses de marche avant (1, 2 et 3) et une de marche arrière. Pour changer de vitesse, placez le levier dans la position souhaitée afin qu'il s'engage dans le cran correspondant. Utilisez la 1ère, la 2e ou la 3e vitesse selon les conditions d'enneigement.

**Clé de contact** (Fig. 15) - Insérez la clé avant de mettre le moteur en marche à l'aide du lanceur. Pour couper le moteur, retirez la clé.

**Manette des gaz** (Fig. 15) - Déplacez la manette vers le haut pour augmenter le régime du moteur.

**Starter** (Fig. 15) - Pour mettre en marche un moteur froid, tournez le bouton de starter à fond en position MAXI (FULL). Au fur et à mesure que le moteur se réchauffe, ramenez le starter en position d'arrêt (OFF).

**Amorceur** (Fig. 15) - Appuyez sur l'amorceur pour envoyer une petite quantité d'essence dans le moteur afin de faciliter la mise en marche par temps froid.

**Robinet d'essence** (Fig. 14) - Ce robinet se trouve sous le réservoir d'essence. Tournez le robinet vers la droite pour couper l'écoulement de l'essence du réservoir vers le carburateur, ou vers la gauche pour rétablir l'alimentation. Fermez le robinet quand la déneigeuse ne sert pas.

**Commande d'orientation de l'éjecteur** (Fig. 14) - Tournez la commande d'orientation dans le sens des aiguilles d'une montre pour déplacer l'éjecteur vers la gauche, ou en sens contraire pour le déplacer vers la droite.

**Lanceur** (Fig. 15) - Le lanceur se trouve à l'arrière du moteur. Tirez la poignée pour faire démarrer le moteur.

**Poignée du déviateur** (Fig. 14) - La poignée du déviateur se trouve sur le dessus de l'éjecteur et sert à régler la hauteur du jet de neige.

## Démarrage/arrêt du moteur

Si la température extérieure est supérieure ou égale à 4°C (+40°F), enlevez le boîtier de chauffage du carburateur (Fig. 16). Il faut cependant remettre le boîtier de chauffage si la température descend en dessous de 4°C (+40°F). Pour déposer le boîtier de chauffage du carburateur, procédez comme suit:

1. Débranchez le fil de la bougie et assurez-vous qu'il ne puisse pas toucher accidentellement la bougie (Fig. 16).
2. Retirez les 3 vis, les 3 rondelles-frein et les 3 rondelles qui fixent la grille de protection du silencieux (Fig. 16) sur le moteur, et déposez la grille.
3. Retirez les 3 vis Phillips et la vis six pans qui maintiennent le boîtier de chauffage en place (Fig. 16). Tirez sur le bouton de starter pour l'enlever de la tige (Fig. 15).
4. Soulevez le boîtier de chauffage pour le dégager et déposez-le. Remettez le bouton de starter sur sa tige.

## Démarrage

**Important :** Vérifiez que la tarière et la roue hélice ne soient pas bloquées par le gel, et puissent tourner librement. Assurez-vous aussi que l'éjecteur ne soit pas obstrué. **NE DEGAGEZ PAS LES OBSTRUCTIONS DE L'EJECTEUR A LA MAIN. UTILISEZ UN BATON.**

1. Connectez le fil de bougie à la bougie (Fig. 16).
2. Mettez la manette des gaz (Fig. 15) en position RAPIDE (FAST).
3. Ouvrez le robinet d'essence sous le réservoir (Fig. 14) en le tournant vers la gauche.
4. Tournez le starter en position MAXI (FULL) (Fig. 15).
5. Insérez la clé de contact (Fig. 15).

6. Couvrez le trou central de l'amorceur avec le pouce et appuyez trois fois lentement.  
**N'UTILISEZ PAS L'AMORCEUR SI LE MOTEUR VIENT DE TOURNER ET EST ENCORE CHAUD.**

**Remarque :** Un amorçage excessif risque de noyer le moteur et, par conséquent, d'empêcher le démarrage.

7. Saisissez la poignée du lanceur (Fig. 15) et tirez-la lentement jusqu'à ce que vous sentiez une résistance, puis tirez vigoureusement pour lancer le moteur. Retenez fermement la poignée du lanceur et laissez-la revenir lentement.

**Remarque :** Si le moteur ne démarre pas ou si la température est inférieure ou égale à -23°C (-10°F), il peut être nécessaire d'amorcer davantage. Chaque fois que vous actionnez l'amorceur, essayez de démarrer avant de l'actionner de nouveau.

8. Une fois le moteur en marche, tournez immédiatement le bouton de starter (Fig. 15) en position 3/4. Au fur et à mesure que le moteur se réchauffe, tournez le bouton en position 1/2, puis en position d'arrêt (OFF). Si le moteur hésite, ramenez le starter en position 1/2. Quand le moteur est suffisamment réchauffé, tournez le bouton en position d'arrêt (OFF).

---

## Avant de couper le moteur

1. Embrayez la tarière/roue hélice pour évacuer toute la neige se trouvant encore dans le carénage.
2. Laissez le moteur tourner pendant quelques minutes pour sécher l'humidité qui aurait pu s'accumuler sur le moteur.
3. Pendant que le moteur est en marche, tirez la poignée du lanceur trois ou quatre fois, à fond, d'un mouvement du bras rapide et continu. Ceci contribue à éviter que le lanceur ne gèle en conditions extrêmes d'enneigement.

**Remarque :** La traction du lanceur fait entendre un cliquetis bruyant, mais sans danger pour le moteur ou le lanceur.

## Arrêt

1. Relâchez les manettes de commande de traction et de tarière/roue hélice (Fig. 14).
2. Ramenez la manette des gaz en position lente (slow) et retirez la clé de contact (Fig. 15).
3. Avant de quitter la position de conduite (derrière les mancherons), attendez l'arrêt complet de toutes les pièces en mouvement.

## Conseils d'utilisation

1. Quand vous n'utilisez pas la déneigeuse, fermez le robinet d'essence en le tournant vers la droite, et retirez la clé de contact.
2. Enlevez la neige aussitôt qu'elle est tombée; le déneigement s'en trouve facilité et d'autant plus efficace.
3. Réglez les patins en fonction de la surface à déneiger, voir Réglage des patins, page 18.

4. La déneigeuse est conçue pour déblayer les surfaces jusqu'à ce qu'elles soient à nu, mais il arrive que l'avant de la machine ait tendance à grimper. Quand cela se produit, réduisez la vitesse d'avance de la machine en passant à un rapport inférieur. Si la machine continue de grimper sur la neige, soulevez les mancherons pour que l'avant de la déneigeuse reste au ras du sol.
5. Rejetez la neige dans le sens du vent quand c'est possible et chevauchez les passes pour enlever complètement la neige. Si les roues patinent, passez à un rapport inférieur pour réduire la vitesse d'avance.
6. Laissez tourner la déneigeuse pendant quelques minutes après avoir fini le déblaiement pour éviter le gel des pièces mobiles. Faites marcher la tarière/roue hélice pour éliminer toute la neige encore présente dans le carénage.
7. Ne surchargez pas la déneigeuse en essayant de travailler trop rapidement. Si le moteur ralentit, sélectionnez une vitesse inférieure pour avancer moins vite.
8. Travaillez toujours à plein gaz (régime moteur maximum) lorsque vous éjectez la neige.
9. Pour éviter l'obstruction de l'éjecteur lorsque la neige est mouillée ou fondante, travaillez à plein régime et ne surchargez pas le moteur.
10. Dans certaines conditions d'enneigement et de froid, certaines pièces mobiles et certaines commandes peuvent être bloquées par le gel. Si vous constatez qu'une commande est difficile à manœuvrer, arrêtez le moteur et vérifiez s'il n'y a pas de pièces bloquées par le gel. **NE FORCEZ JAMAIS LES COMMANDES ET NE TENTEZ PAS DE FAIRE FONCTIONNER LES COMMANDES GELEES.** Libérez toutes les commandes et les pièces mobiles avant de mettre votre déneigeuse en marche.

## DANGER

### DANGER POTENTIEL

- **Quand la déneigeuse est en marche, la tarière et la roue hélice peuvent tourner.**

### QUELS SONT LES RISQUES?

- **ATTENTION DE NE PAS VOUS SECTIONNER LES DOIGTS AVEC LA ROUE HELICE OU LA TARIERE EN ROTATION.**

### COMMENT SE PROTEGER?

- **Avant de régler, nettoyer, réparer ou vérifier la déneigeuse, ainsi qu'avant de désobstruer l'éjecteur, COUPEZ LE MOTEUR ET ATTENDEZ QUE TOUTES LES PIECES MOBILES S'ARRENTENT. Débranchez aussi le fil de la bougie et éloignez-le de la bougie pour éviter tout risque de démarrage accidentel du moteur.**
- **NE DEGAGEZ PAS LES OBSTRUCTIONS DE L'EJECTEUR A LA MAIN, UTILISEZ UN BATON.**
- **Demeurez derrière les mancherons et à l'écart de l'ouverture d'éjection pendant que vous utilisez la déneigeuse.**
- **Gardez les pieds, les mains, le visage et toute autre partie du corps ou des vêtements à l'écart des pièces ou organes cachés, mobiles ou tournants.**

## Réglage des patins et de la lame racleuse

### SURFACES CIMENTEES OU ASPHALTEES

1. Débranchez le fil de la bougie et assurez-vous qu'il ne puisse pas toucher accidentellement la bougie.
2. Vérifiez la pression des pneus, qui doivent être gonflés à la même pression, entre 48 et 103 kPa (7 et 15 psi).

3. Amenez la déneigeuse sur une surface plane et de niveau. Desserrez les 4 écrous à collerette (Fig. 17) qui fixent les deux patins aux panneaux latéraux du carénage de tarière pour que les patins puissent coulisser vers le haut et vers le bas.
4. Surélevez les lames de la tarière (Fig. 18) de manière à ce qu'elles se trouvent, ainsi que la lame racleuse, à environ 2 mm du sol (1/16").

**Remarque :** Si la surface à déneiger est fissurée, accidentée ou inégale, la lame racleuse doit être plus éloignée du sol.

5. Contrôlez le réglage de la lame racleuse, qui doit être parallèle à un sol plane et ne pas le toucher. Pour modifier le réglage, desserrez les 5 vis de fixation (Fig. 18), corrigez la position de la lame et resserrez les vis.
6. Lorsque la lame racleuse est correctement réglée et soutenue au-dessus de la surface du sol, descendez les patins jusqu'à ce qu'ils reposent à plat sur le sol et serrez les 4 écrous à collerette de fixation des patins aux panneaux latéraux de la tarière (Fig. 17). Les patins soutiennent désormais les lames de tarière et la lame racleuse au-dessus du sol.

### GRAVIER

Pour déneiger les surfaces recouvertes de gravier ou empierrées, réglez les patins de manière à ne pas ramasser de cailloux.

1. Débranchez le fil de la bougie et assurez-vous qu'il ne puisse pas toucher accidentellement la bougie (Fig. 17).
2. Desserrez les 4 écrous à collerette fixant les patins aux panneaux latéraux du carénage de tarière (Fig. 17), descendez les patins le plus bas possible, pour élever la tarière aussi loin du sol que le réglage des patins le permet, puis resserrez les boulons à collerette.

## Entretien

### ATTENTION

#### DANGER POTENTIEL

- Si vous ne débranchez pas le fil de bougie, quelqu'un pourrait mettre le moteur en marche.

#### QUELS SONT LES RISQUES?

- Le démarrage accidentel peut causer des blessures graves à toutes personnes se tenant à proximité.

#### COMMENT SE PROTEGER?

- Débranchez le fil de bougie avant de procéder à toute opération d'entretien. Ecartez suffisamment le fil pour ne pas risquer un contact fortuit avec la bougie.

## Vidange de l'essence

1. Fermez le robinet d'essence sous le réservoir (Fig. 19) en le tournant vers la gauche.

### ATTENTION

#### DANGER POTENTIEL

- L'essence est très inflammable.

#### QUELS SONT LES RISQUES?

- L'essence peut prendre feu et causer des blessures graves.

#### COMMENT SE PROTEGER?

- Vidangez l'essence à l'extérieur.
- Ne vidangez l'essence que lorsque le moteur est froid.
- Epongez l'essence éventuellement répandue.
- Ne vidangez pas l'essence à proximité d'une flamme nue ou de risques d'étincelles susceptibles d'enflammer les vapeurs.
- NE FUMEZ PAS quand vous manipulez de l'essence.

- 
2. Placez un récipient propre pour la vidange sous le robinet d'essence.
  3. Desserrez les colliers qui fixent la conduite d'alimentation au robinet d'essence, puis détachez la conduite du robinet (Fig. 19).
  4. Ouvrez le robinet pour laisser l'essence s'écouler dans le récipient.
  5. Reconnectez la conduite d'alimentation et fixez-la à l'aide du collier.

## Lubrification de la déneigeuse

Lubrifiez toutes les pièces mobiles de la déneigeuse toutes les 15 heures d'utilisation.

1. Débranchez le fil de la bougie et assurez-vous qu'il ne puisse pas toucher accidentellement la bougie (Fig. 19).
2. Vidangez le réservoir d'essence (voir page 19).
3. Basculez la déneigeuse vers l'avant sur le carénage de tarière et bloquez-la pour qu'elle ne puisse pas tomber. Retirez ensuite les quatre vis de fixation du panneau inférieur, et retirez ce panneau (Fig. 20).
4. Lubrifiez légèrement la déneigeuse avec de l'huile légère et de la graisse, comme illustré à la figure 21. Essayez tout excès d'huile ou de graisse.

**Important :** Veillez à ne pas mettre d'huile ou de graisse sur la roue de caoutchouc ni sur le disque d'embrayage, ce qui provoquerait le patinage de la roue et la détérioration du caoutchouc.

5. Remontez le panneau inférieur avec ses 4 vis.

## Vidange de l'huile du carter-moteur

Changez l'huile après les 2 premières heures d'utilisation puis, en conditions normales, toutes les 25 heures de marche du moteur ou une fois par an, selon ce qui se présente en premier. Si possible, faites marcher le moteur juste avant la vidange. L'huile ainsi réchauffée s'écoule plus facilement et entraîne plus d'impuretés qu'une huile froide.

1. Débranchez le fil de la bougie et assurez-vous qu'il ne puisse pas toucher accidentellement la bougie.
2. Placez un support sous l'arrière du châssis de la déneigeuse et retirez la roue gauche.
3. Nettoyez autour du bouchon de vidange d'huile. Placez ensuite le bac de vidange sous l'extension de vidange, et retirez le bouchon (Fig. 22).
4. Une fois toute l'huile vidangée, refermez le bouchon et remontez la roue gauche.
5. Amenez la déneigeuse sur une surface plane horizontale, et remplissez d'huile le carter-moteur comme expliqué à la rubrique "Plein d'huile du carter-moteur", page 14. Essayez l'huile éventuellement répandue.

## Graissage de la boîte d'engrenages de tarière

Le niveau de graisse dans la boîte d'engrenages de tarière doit être vérifié au moment de l'assemblage de la déneigeuse, toutes les 10 heures de fonctionnement et après chaque remisage annuel. Pour contrôler le graissage :

1. Placez la déneigeuse sur une surface plane.
2. Nettoyez autour de l'obturateur de tuyau pour éviter l'introduction d'impuretés.
3. Retirez l'obturateur de tuyau de la boîte d'engrenage (Fig. 23).

4. Contrôlez le niveau de graisse dans la boîte d'engrenages. La graisse doit être visible par l'ouverture.
5. Si le niveau est insuffisant, rajoutez de la graisse MAG-1 (graisse pour haute pression et basse température, réf. Toro n° 505-101) jusqu'à ce qu'elle soit sur le point de déborder.

**Remarque :** Utiliser exclusivement de la graisse pour haute pression et basse température dans la boîte d'engrenages.

6. Réinsérez l'obturateur de tuyau dans la boîte d'engrenage.

## Réglage de la courroie d'entraînement de tarière/roue hélice

Si la courroie d'entraînement de tarière/roue hélice patine, ce qui se traduit par une détérioration des performances de la déneigeuse, la courroie doit être réglée ou remplacée.

1. Vérifiez le réglage conformément aux étapes 4–6 de la rubrique Montage de la tringlerie de commande de tarière/roue hélice, page 13. Corrigez le réglage si nécessaire.
2. Actionnez la tarière/roue hélice pour vérifier la tension de la courroie. **Si la courroie patine encore, remplacez-la. UTILISEZ EXCLUSIVEMENT DES PIÈCES TORO D'ORIGINE.**

## Remplacement de la courroie d'entraînement de tarière/roue hélice

Si la courroie d'entraînement de tarière/roue hélice (Fig. 24) est usée, imbibée d'huile ou endommagée de quelque autre manière, il faut la remplacer.

1. Débranchez le fil de la bougie et assurez-vous qu'il ne puisse pas toucher accidentellement la bougie.
2. Retirez les 2 vis de fixation du carter de courroie et mettez ce dernier de côté (Fig. 24).
3. Retirez la courroie d'entraînement de tarière/roue hélice usagée hors de la poulie moteur et de la grande poulie de tarière/roue hélice (Fig. 25).
4. Montez la courroie neuve autour de la grande poulie de tarière/roue hélice (Fig. 25), puis sur la poulie moteur, en veillant à la faire passer sous la poulie folle et le guide-courroie (Fig. 25).
5. Réglez la tringlerie de commande de tarière/roue hélice, voir Montage de la tringlerie de commande de tarière/roue hélice, page 4, points 6 à 13.
6. Remontez le carter de courroie à l'aide des 2 vis.

## Remplacement de la courroie d'entraînement de traction

Si la courroie de traction est usée, imbibée d'huile ou endommagée de quelque autre manière, il faut la remplacer.

1. Débranchez le fil de la bougie et assurez-vous qu'il ne puisse pas toucher accidentellement la bougie.
2. Vidangez le réservoir d'essence comme expliqué page 19.
3. Retirez les 2 vis de fixation du carter de courroie et mettez ce dernier de côté (Fig. 24).
4. Retirez la courroie d'entraînement de tarière/roue hélice hors de la poulie moteur et de la grande poulie de tarière/roue hélice (Fig. 25).
5. Basculez la déneigeuse sur l'avant et calez-la pour qu'elle ne puisse pas tomber.
6. Retirez les 4 vis de fixation du panneau inférieur au châssis (Fig. 20) et déposez le panneau.

7. Décrochez le ressort de l'encoche du bord inférieur du panneau latéral (Fig. 26).

## PRUDENCE

### DANGER POTENTIEL

- Le ressort est très tendu.

### QUELS SONT LES RISQUES?

- Le ressort risque de sauter en direction de l'opérateur ou de personnes à proximité.

### COMMENT SE PROTEGER?

- Soyez très prudent lorsque vous retirez le ressort.

8. Remettez la déneigeuse en position normale et enlevez la courroie de traction de la poulie moteur et de la grande poulie de traction (Fig. 25).
9. Montez la courroie neuve autour de la grande poulie de traction, puis sur la poulie moteur, en la faisant passer sous le guide-courroie (Fig. 25).
10. Basculez la déneigeuse sur l'avant et calez-la pour qu'elle ne puisse pas tomber.
11. Accrochez le ressort dans l'encoche du bord inférieur du panneau latéral (Fig. 26).
12. Remontez le panneau inférieur avec ses quatre vis et remettez la déneigeuse en position normale.
13. Remontez la courroie de tarière/roue hélice sur la grande poulie de tarière/roue hélice et la poulie moteur, en veillant à la faire passer sous la poulie folle et le guide-courroie (Fig. 25).

**Remarque :** Si vous avez remplacé la courroie de tarière/roue hélice, réglez la tringlerie de commande de tarière/roue hélice, voir Montage de la tringlerie de commande de tarière/roue hélice, page 4, points 6 à 13.

14. Remontez le carter de courroie à l'aide des 2 vis.

## Réglage de l'entraînement de traction

Si le changement de vitesse passe les vitesses correctement, mais la déneigeuse n'avance pas ou ne recule pas, un réglage peut être nécessaire.

1. Vérifiez le réglage conformément aux points 5 et 6 des instructions de Montage de la tige de commande de traction, page 12. Corrigez le réglage si nécessaire.
2. Si le problème persiste alors que la tringlerie est correctement réglée, adressez-vous à votre concessionnaire Toro agréé.

## Réglage du changement de vitesse

Si la déneigeuse n'avance que lentement ou pas du tout en première vitesse, ou s'il n'est pas possible d'engager la troisième vitesse, réglez la tringlerie de changement de vitesse.

1. Débranchez le fil de la bougie et assurez-vous qu'il ne puisse pas toucher accidentellement la bougie.
2. Retirez les 4 vis de fixation du panneau inférieur au châssis (Fig. 20) et déposez le panneau.
3. Desserrez les écrous à collerette qui fixent la plaque de changement de vitesses au panneau de commande pour pouvoir régler la position de la plaque (Fig. 27).
4. Mettez le changement de vitesse en troisième et appuyez sur la plaque de changement de vitesse pour déplacer l'ensemble de transmission vers la droite. L'ensemble de transmission doit se trouver à 3 mm (1/8") de la goupille. Si ce n'est pas le cas, déplacez la plaque de changement de vitesse (Fig. 27) jusqu'à ce que l'écartement correct de 3 mm soit atteint (Fig. 28).
5. Lorsque l'ensemble de transmission est à 3 mm (1/8") de la goupille, resserrez les écrous à collerette de fixation de la plaque de changement de vitesse.

6. Mettez le changement de vitesse en marche arrière (position R), puis ramenez-le en troisième pour vérifier le réglage. Si l'écart entre la goupille et l'ensemble de transmission est supérieur à 4,8 mm(3/16"), répétez les étapes 2 à 4.
7. Remontez le panneau inférieur à l'aide des 4 vis.

## Réglage du carburateur

Le carburateur a été réglé à l'usine, mais il peut arriver à l'occasion qu'il requière un nouveau réglage.

1. Retirez les 3 vis, 3 rondelles-frein et 3 rondelles qui fixent la grille de protection du silencieux au moteur (Fig. 16), et déposez la grille.
2. Retirez les 3 vis Phillips et la vis six pans de fixation du boîtier de chauffage (Fig. 16). Tirez sur le bouton de starter pour l'enlever de la tige (Fig. 15).
3. Soulevez le boîtier de chauffage pour le dégager et déposez-le. Remettez le bouton de starter sur sa tige.

**Remarque :** Si le moteur est capable de démarrer et de tourner, sautez les étapes 4 et 5.

4. Vis de richesse (Fig. 29) - Vissez la vis délicatement vers la droite jusqu'à ce qu'une légère résistance vous indique que le pointeau touche son siège, puis dévissez-la d'un tour complet (360°) vers la gauche.
- Important :** Ne serrez pas trop la vis de richesse ou la vis de richesse de ralenti, sous peine d'endommager le pointeau et son siège.
5. Vis de richesse de ralenti (Fig. 29)- Vissez la vis délicatement vers la droite jusqu'à ce qu'une légère résistance vous indique que le pointeau touche son siège, puis dévissez-la d'un tour et demi vers la gauche.

6. Mettez le moteur en marche et laissez-le chauffer environ 3 à 5 minutes, puis réglez la manette des gaz sur RAPIDE (FAST).

### ATTENTION

#### DANGER POTENTIEL

- Pour le réglage final du carburateur, le moteur doit être en marche.

#### QUELS SONT LES RISQUES?

- Le fonctionnement du moteur peut entraîner rotation de la roue hélice et de la tarière.

#### COMMENT SE PROTEGER?

- Mettre les commandes de tarière/roue hélice et de traction en position DEBRAYEE.
- Ne pas approcher les mains, les pieds, la figure ou quelque partie du corps que ce soit du silencieux, de la tarière/roue hélice, de la goulotte d'éjection ou de toute pièce mobile.

### ATTENTION

#### DANGER POTENTIEL

- Les gaz d'échappement du moteur contiennent du monoxyde de carbone.

#### QUELS SONT LES RISQUES?

- Le monoxyde de carbone est un poison mortel et inodore.

#### COMMENT SE PROTEGER?

- Ne jamais laisser le moteur tourner à l'intérieur ou dans un espace clos.

7. Vissez la vis de richesse (Fig. 29) vers la droite de 1/8 tour à la fois, jusqu'à ce que le moteur ait des ratés à cause de la pauvreté du mélange. Dévissez ensuite la vis vers la gauche de 1/8 tour à la fois jusqu'à ce que le moteur tourne de manière irrégulière en raison d'une richesse excessive du mélange. Ramenez alors la vis à mi-chemin entre les deux points de mélange trop riche et de mélange trop pauvre, pour que le moteur tourne de manière régulière.

---

**Remarque :** Attendez plusieurs secondes entre chaque réglage de 1/8 tour pour laisser au moteur le temps de réagir à la modification du mélange.

8. Ramenez la manette des gaz en position de ralenti. Vissez ensuite la vis de vitesse du ralenti jusqu'à ce que le moteur tourne au ralenti accéléré, soit environ 1750 tours/minute.
9. Vissez la vis de richesse de ralenti (Fig. 29) vers la droite de 1/8 tour à la fois, jusqu'à ce que le moteur ait des ratés à cause de la pauvreté du mélange. Dévissez ensuite la vis vers la gauche de 1/8 tour à la fois jusqu'à ce que le moteur tourne de manière irrégulière en raison d'une richesse excessive du mélange. Ramenez alors la vis à mi-chemin entre les deux points de mélange trop riche et de mélange trop pauvre.

**Remarque :** Attendez plusieurs secondes entre chaque réglage de 1/8 tour pour laisser au moteur le temps de réagir à la modification du mélange.

10. Vissez de nouveau la vis de vitesse de ralenti (Fig. 29) pour que le moteur tourne au ralenti à 1750 tours/minute.
11. Contrôlez le réglage du carburateur en ouvrant rapidement les gaz, du ralenti à l'accélération maximum. Le moteur doit accélérer sans hésiter et sans ratés. Si le moteur n'accélère pas bien, enrichissez légèrement le mélange. De même, si le moteur hésite en charge, dévissez la vis de richesse de 1/8 tour vers la gauche.
12. Lorsque le carburateur est réglé, coupez le moteur pour remonter le boîtier de chauffage du carburateur et la grille de protection du silencieux.
13. Remontez le bouton de starter sur sa tige.

## Remplacement de la bougie

Utilisez une bougie Champion RJ-19LM ou équivalente. Réglez l'écartement des électrodes à 0,76 mm (0.030"). Contrôlez la bougie toutes les 100 heures de service ou au moins une fois par an, et remplacez-la si les électrodes sont noircies ou endommagées.

1. Nettoyez soigneusement autour de la bougie pour éviter toute introduction d'impuretés dans le cylindre lors du retrait de la bougie.
2. Débranchez le fil de la bougie et enlevez la bougie de la culasse (Fig. 16).

**Important :** Toute bougie fêlée, encrassée, ou abîmée doit être remplacée. Ne nettoyez pas les bougies à l'aide d'un jet de sable, d'un grattoir ou d'une brosse métallique. Des grains de matière abrasive pourraient se détacher de la bougie, tomber dans le moteur et l'endommager gravement.

3. Réglez l'écartement des électrodes de la bougie neuve à 0,76 mm (0.030") (Fig. 30). Montez ensuite la bougie dans la culasse et serrez-la à 15 ft-lb (20,4 N·m).
4. Reconnectez le fil à la bougie (Fig. 16).

## Remisage

### 1. PREPARATION DU SYSTEME D'ALIMENTATION

**Remarque :** Les stabilisateurs/conditionneurs sont plus efficaces lorsqu'on les mélange à de l'essence fraîche.

- Ajoutez dans le réservoir de carburant 30 ml de stabilisateur/conditionneur Toro par 3,8 litres de carburant (1oz./ ga).
- Laissez le moteur tourner dix minutes pour faire circuler le carburant traité dans tout le système d'alimentation.

- 
- Arrêtez le moteur, laissez-le refroidir et videz le réservoir de carburant, ou laissez tourner le moteur jusqu'à ce qu'il s'arrête faute de carburant.
  - Redémarrez le moteur et laissez-le tourner jusqu'à ce qu'il s'arrête faute de carburant.
  - Utilisez le starter ou l'amorceur, redémarrez le moteur une troisième fois et laissez-le tourner jusqu'à ce qu'il ne redémarre plus.
  - Débarrassez-vous du carburant correctement, selon les réglementations locales en matière de recyclage.
  - **NE conservez PAS l'essence STABILISEE pendant plus de 90 jours.**
2. Retirez la bougie de la culasse. Versez deux cuillerées à café d'huile moteur dans l'ouverture laissée par la bougie dans la culasse. Remontez la bougie mais ne rebranchez pas le fil. Tirez lentement la poignée du lanceur afin de répartir l'huile à l'intérieur du cylindre.
  3. Lubrifiez la déneigeuse, voir Lubrification de la déneigeuse, page 20. Changez l'huile du carter, voir Vidange de l'huile du carter-moteur, page 20.
  4. Nettoyez la déneigeuse. Faites les retouches des points de peinture écaillée à l'aide de peinture Toro Re-Kote, en vente chez les détaillants Toro. Poncez au papier de verre avant d'appliquer la peinture et utilisez un produit anti-rouille pour protéger les parties métalliques.
  5. Serrez toutes les vis et tous les écrous. Si jamais vous trouvez une pièce endommagée, réparez-la ou remplacez-la.
  6. **RANGEMENT** - Couvrez la déneigeuse et rangez-la dans un endroit propre et sec, hors de portée des enfants. **L'ESSENCE ET SES VAPEURS ETANT EXTREMEMENT INFLAMMABLES, EXPLOSIVES ET DANGEREUSES A RESPIRER, NE RANGEZ JAMAIS LA DENEIGEUSE DANS UNE PARTIE HABITEE DE LA MAISON OU A LA CAVE EN PRESENCE DE SOURCES D'INFLAMMATION TELLES QU'UN CHAUFFE-EAU, UNE CHAUDIERE, UN SECHOIR A LINGE, ETC.** Laissez le moteur refroidir complètement avant de ranger la machine dans un endroit clos.

