



Count on it.

Parts Catalog

VR-3500 Rammer Compactor

Model No. 68036—Serial No. 40200000 and Up



Ordering Replacement Parts

To order replacement parts, please supply the part number, the quantity, and the description of each part desired.

Understanding Reference Numbers

Each identified part in an illustration has a reference number. The reference number for a part also appears in the parts list, along with other information about the part.

This catalog uses two special reference number formats, one to indicate parts in a service assembly and another to indicate the quantity of a given part in an illustration.

Service Assembly Reference Numbers

Parts in service assemblies have reference numbers in the form a:b. The a represents the reference number of the entire service assembly and the b represents a sequential number unique to each part within the service assembly.

For example, a wheel assembly might be identified by reference number 6, the tire by 6:1, the valve by 6:2, and the wheel by 6:3. When you order the assembly identified by reference number 6, you receive all parts identified by reference numbers 6:1, 6:2, and 6:3. However, you may also order any part individually. Reference numbers of this type appear in illustration and in parts lists.

Reference Numbers Indicating Quantity

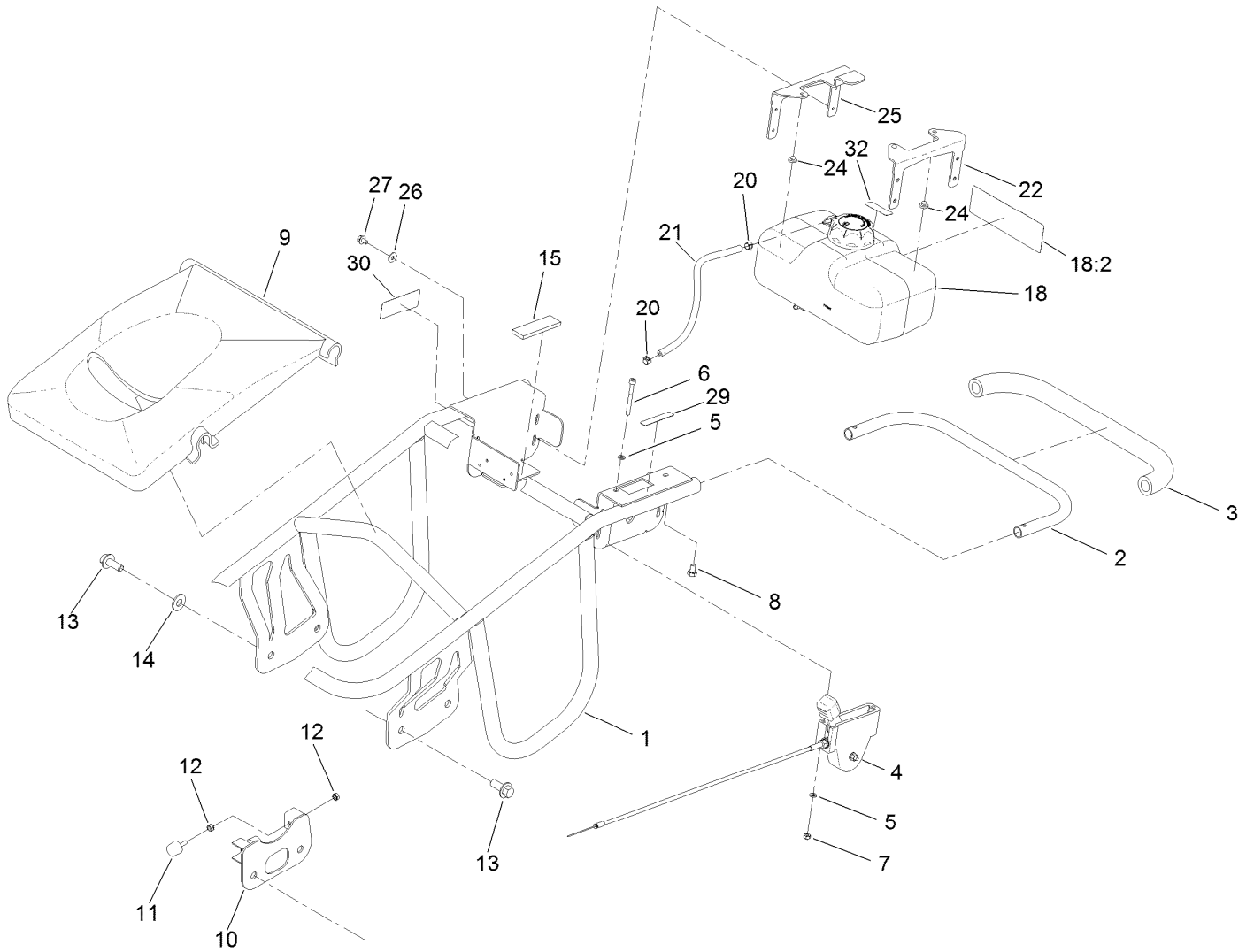
In an illustration, if a reference number indicates more than one part, the reference number has the form nX y. The n represents the quantity of the part, the X is the multiplication symbol, and the y represents the reference number.

For example, in an illustration, the reference number 2X 37 means that two of the parts identified by reference number 37 are indicated.

Contents

Frame, Handle and Fuel Tank Assembly 4
Engine and Air Filter Assembly 6
Lower Unit Assembly 8
Rammer Assembly 10

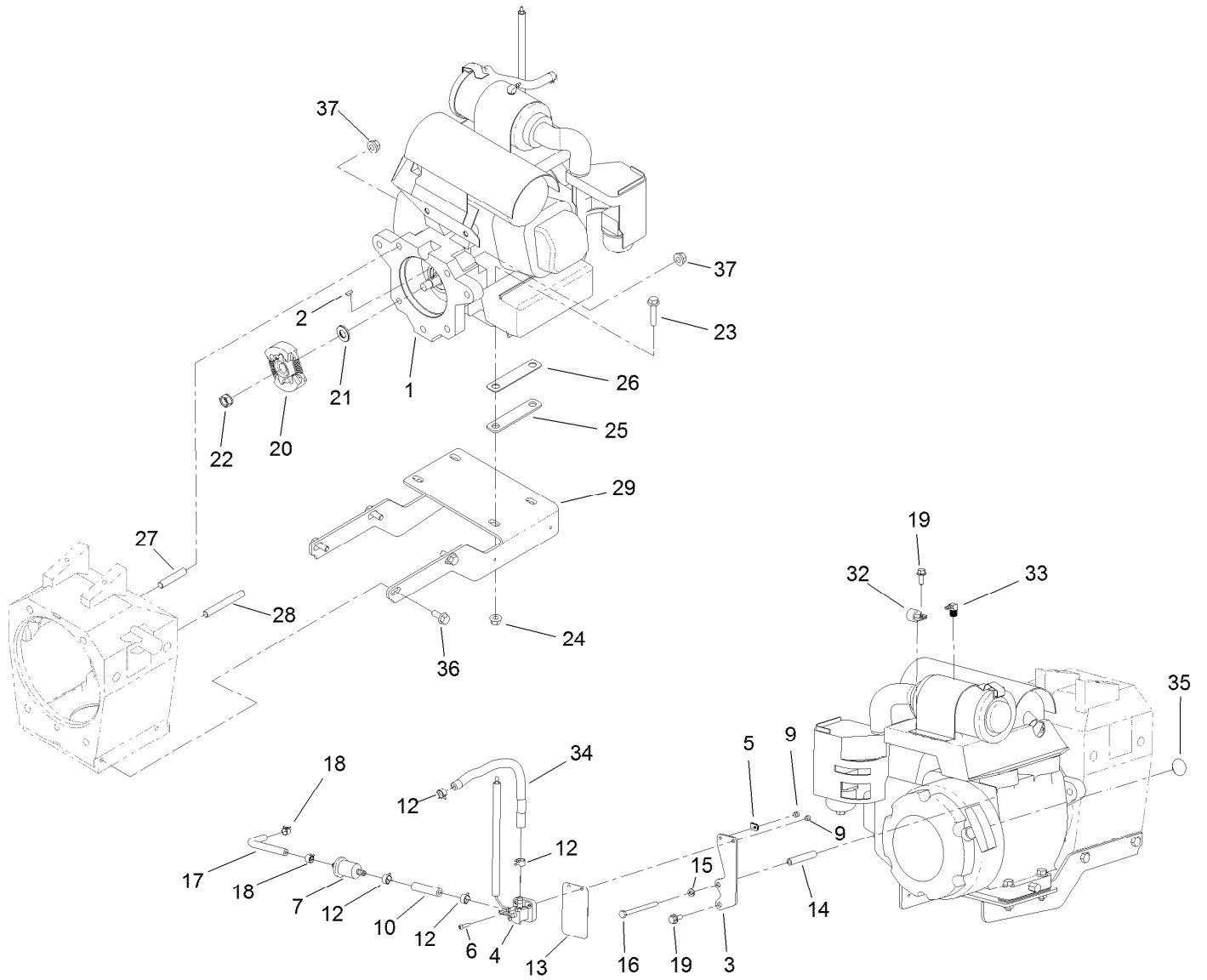
Frame, Handle and Fuel Tank Assembly



Frame, Handle and Fuel Tank Assembly (continued)

<i>Ref.</i>	<i>Part Number</i>	<i>Qty.</i>	<i>Description</i>	<i>Ref.</i>	<i>Part Number</i>	<i>Qty.</i>	<i>Description</i>
1	127-2877	1	Handle ASM	15	125-6239	2	Pad-Tank, Fuel
2	ST39460-03	1	Handle-Grip, Tube	18	127-7574	1	1 Gallon Fuel Tank ASM
3	ST39470	1	Grip-Hand	18:2	125-8191	1	Decal-Warning
4	125-8673	1	Lever-Throttle	20	2412-80	2	Clamp-Hose
5	33093-00	4	Washer-Flat	21	115-4735	1	Hose-Fuel
6	ST80940	2	Screw-HSH	22	ST66668-03	1	Bracket-Top, Fuel Tank
7	115-7373	2	Nut-Lock	24	ST47292	4	Bumper-Rubber
8	ST80586	2	Screw-HWH	25	127-7556-03	1	Guard-Fuel Tank, Top
9	125-4804	1	Cover-Engine	26	ST81181	8	Washer-Flat
10	ST39424-03	1	Stopper	27	81-1280	8	Screw-HHF
11	ST39427	2	Mount-Shock	29	125-8182	1	Decal-Throttle
12	98-5845	4	Nut-Hex	30	133-5619	1	Decal-Arrester, Spark
13	33106-020	4	Screw-HHF	32	130-8322	1	Decal-Warning, Ethanol
14	29-8910	2	Washer				

Engine and Air Filter Assembly

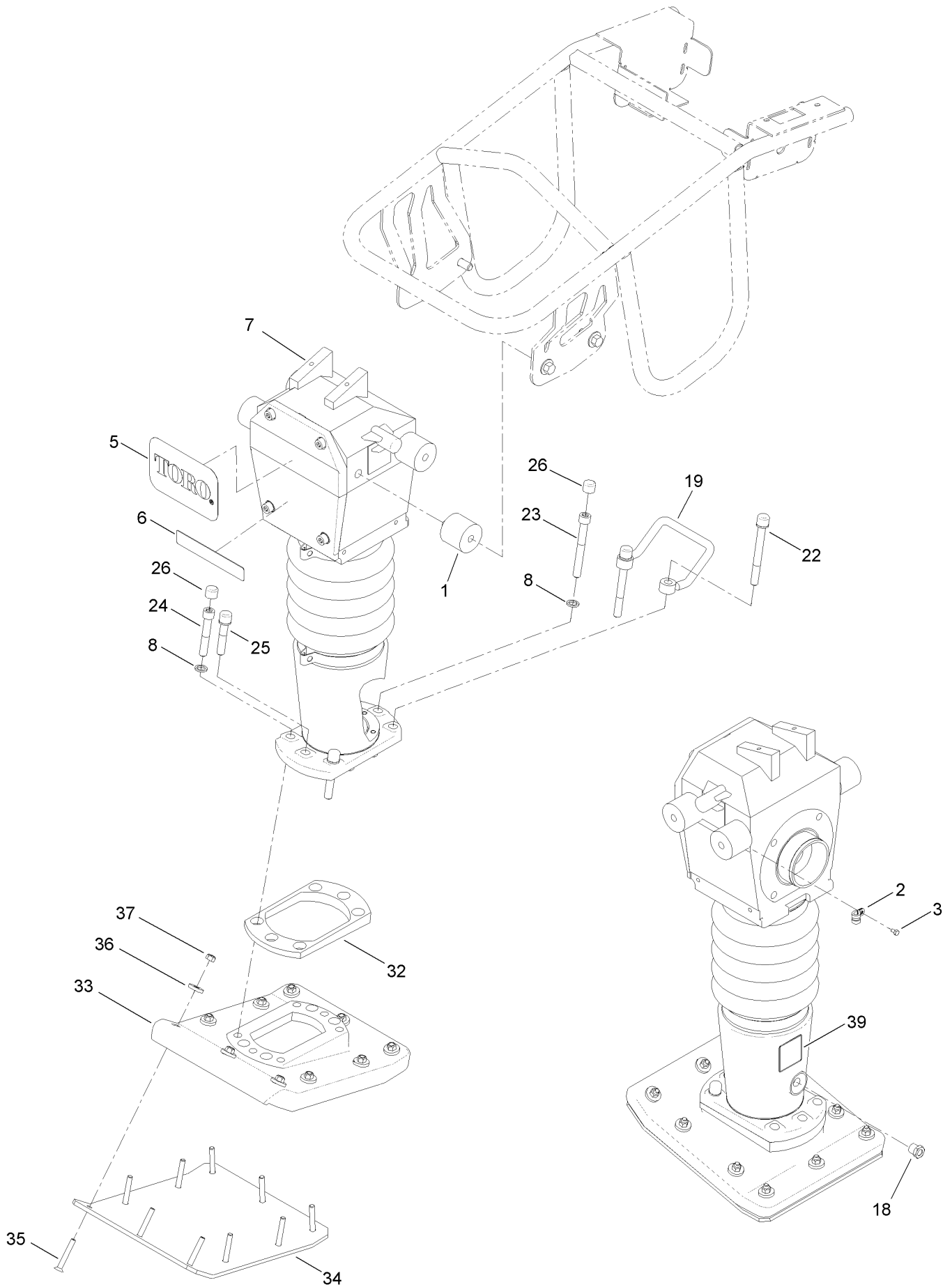


Engine and Air Filter Assembly (continued)

<i>Ref.</i>	<i>Part Number</i>	<i>Qty.</i>	<i>Description</i>	<i>Ref.</i>	<i>Part Number</i>	<i>Qty.</i>	<i>Description</i>
1	125-4817	1	Engine-Honda, Gx120 ●	20	ST30291	1	Clutch-Friction
2	ST32525	1	Key-Woodruff	21	ST58857	1	Spacer-Clutch
3	ST50362	1	Plate-Switch, Stop	22	ST32524	1	Nut-Hex Flange
4	ST58582	1	Fuel Shut Off Valve ASM	23	33104-040	4	Screw-HHF
5	132-4012	1	Clamp-Wire	24	33004-00	4	Nut-HF
6	119-7444	2	Screw-HSBH	25	ST50414-03	2	Shim-Engine (11GA)
7	ST31231	1	Filter-Fuel	26	ST50415-03	2	Shim-Engine (16GA)
9	46-0430	2	Nut-Lock	27	ST81207	3	Stud
10	99-9415	1	Hose-Fuel	28	ST81208	1	Stud
12	2412-98	4	Clamp-Hose	29	127-2800-03	1	Support-Engine
13	125-4966	1	Hang Tag-Run, Stop	32	2412-73	1	Clamp-R
14	ST50361	1	Tube-Switch, Stop	33	127-7575	1	Elbow-90
15	43-5930	1	Washer-Lock, Spring	34	109-0298	1	Fuel Line
16	ST81354	1	Screw-HH	35	ST32523	1	Plug-Rubber
17	51-3214	1	Hose-Fuel	36	33104-020	4	Screw-HHF
18	2412-80	2	Clamp-Hose	37	ST81209	4	Nut
19	33103-016	2	Screw-HHF				

● Obtain parts from www.honda-engines.com

Lower Unit Assembly

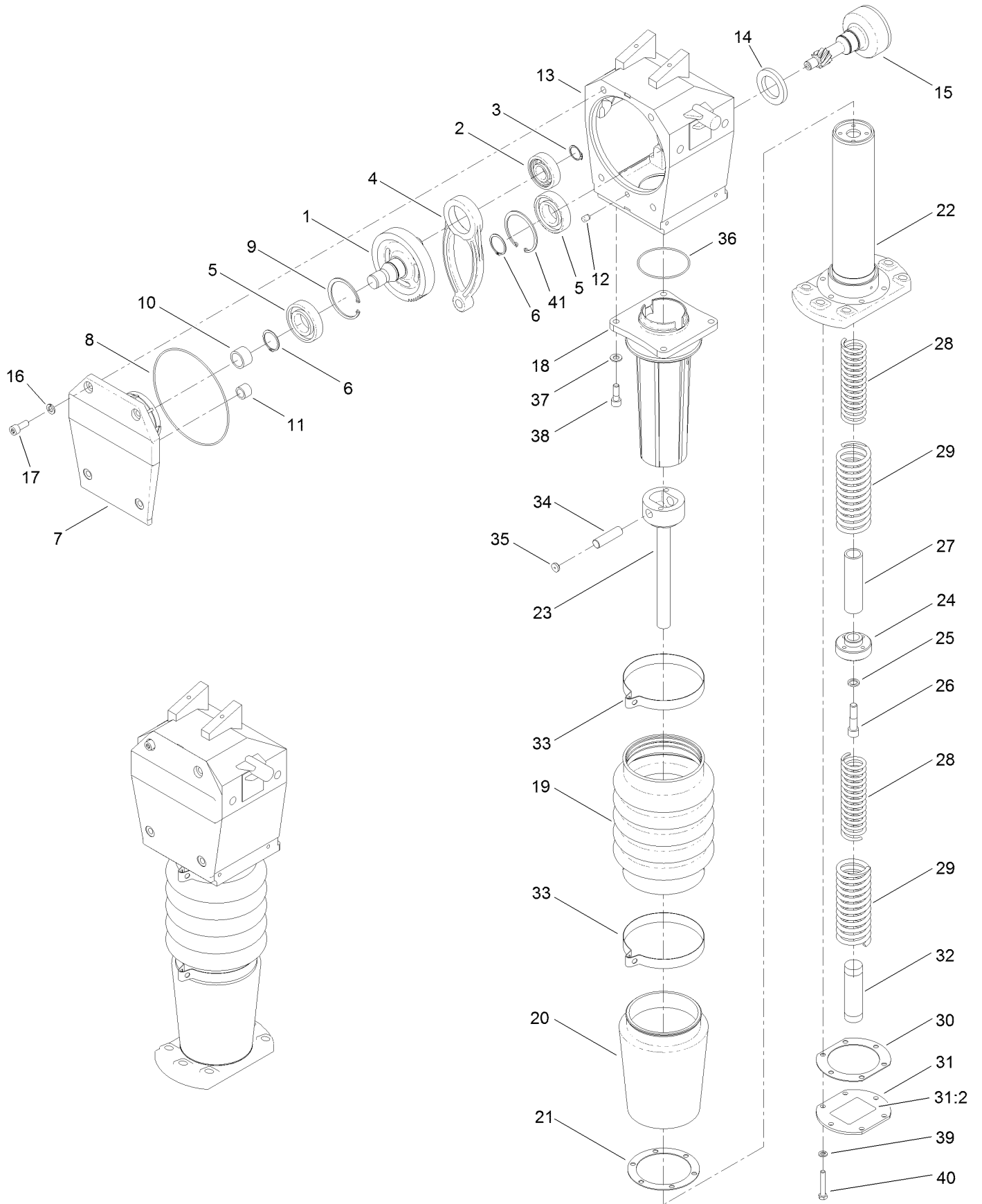


Lower Unit Assembly (continued)

<i>Ref.</i>	<i>Part Number</i>	<i>Qty.</i>	<i>Description</i>	<i>Ref.</i>	<i>Part Number</i>	<i>Qty.</i>	<i>Description</i>
1	ST39425	4	Mount-Shock	24	ST80945	2	Screw-HSH
2	ST39509	1	Clamp	25	ST80827	1	Screw-HSH
3	ST81043	1	Screw-HH	26	ST80765	6	Cap-Plastic
5	127-7590	1	Decal	32	ST50371	1	Plate-Spacer, Shoe
6	127-7593	1	Decal	33	ST47302	1	Shoe-Plastic, Medium/Heavy
7		1	Rammer ASM ●	34	ST65024-03	1	Plate-Shoe
8	ST81196	6	Washer-Lock	35	ST80948	10	Screw-HSFH
18	ST34096	1	Plug-Sight, Oil	36	ST26325	10	Washer-Flat
19	ST39480-03	1	Grip-Lift	37	33024-00	10	Nut-Lock, NI
22	ST81193	2	Screw-HSH	39	127-7595	1	Decal-Oil Level
23	ST80943	1	Screw-HSH				

● Not serviced separately

Rammer Assembly



Rammer Assembly (continued)

<i>Ref.</i>	<i>Part Number</i>	<i>Qty.</i>	<i>Description</i>	<i>Ref.</i>	<i>Part Number</i>	<i>Qty.</i>	<i>Description</i>
1	ST50310	1	Gear-Helical	22	125-8675	1	Housing-Spring
2	ST39429	1	Bearing-Ball	23	ST50305	1	Rod-Piston
3	ST39432	1	Ring-External	24	ST50465	1	Puck-Piston
4	ST50302	1	Rod-Connecting	25	ST81196	1	Washer-Lock
5	ST39428	2	Bearing-Ball	26	ST80822	1	Screw-HSH
6	32120-84	2	Ring-Snap, External	27	ST50410	1	Snubber-Spring, Upper
7	ST50294	1	Cover-Front	28	ST50282	2	Spring-Compression, Inner
8	ST39437	1	O-Ring	29	ST50283	2	Spring-Compression, Outer
9	ST50539	1	Ring-Internal	30	ST39390	1	Gasket-Cover, Spring
10	ST39430	1	Bearing-Needle	31	127-2831	1	Bottom Spring Cover ASM
11	ST39431	1	Bearing-Needle	31:2	125-8181	1	Decal-Warning, Spring
12	ST80543	1	Pin	32	ST50411	1	Snubber-Spring, Lower
13	ST50304	1	Gearcase	33	ST39439	2	Clamp-Boot, Stomper
14	ST39435	1	Seal-Shaft	34	ST39436	1	Pin
15	ST50192	1	Pinion	35	ST39401	2	Button-Pin, Captivator
16	42-9600	4	Washer-Lock	36	ST39438	1	O-Ring
17	ST80803	4	Screw-HSH	37	33095-00	4	Washer-Flat
18	ST50281	1	Guide-Tube	38	ST80872	4	Screw-HSH
19	ST50408	1	Boot-Stomper	39	ST80812	6	Washer-Lock
20	ST50409	1	Cover-Housing, Spring	40	33114-050	6	Screw-HH
21	ST39399	1	Gasket-Housing, Spring Cover	41	ST39434	1	Ring-Internal



Count on it.