



Count on it.

Parts Catalog

FP-2200

Forward Plate Compactor

Model No. 68025—Serial No. 402300000 and Up



Ordering Replacement Parts

To order replacement parts, please supply the part number, the quantity, and the description of each part desired.

Understanding Reference Numbers

Each identified part in an illustration has a reference number. The reference number for a part also appears in the parts list, along with other information about the part.

This catalog uses two special reference number formats, one to indicate parts in a service assembly and another to indicate the quantity of a given part in an illustration.

Service Assembly Reference Numbers

Parts in service assemblies have reference numbers in the form a:b. The a represents the reference number of the entire service assembly and the b represents a sequential number unique to each part within the service assembly.

For example, a wheel assembly might be identified by reference number 6, the tire by 6:1, the valve by 6:2, and the wheel by 6:3. When you order the assembly identified by reference number 6, you receive all parts identified by reference numbers 6:1, 6:2, and 6:3. However, you may also order any part individually. Reference numbers of this type appear in illustration and in parts lists.

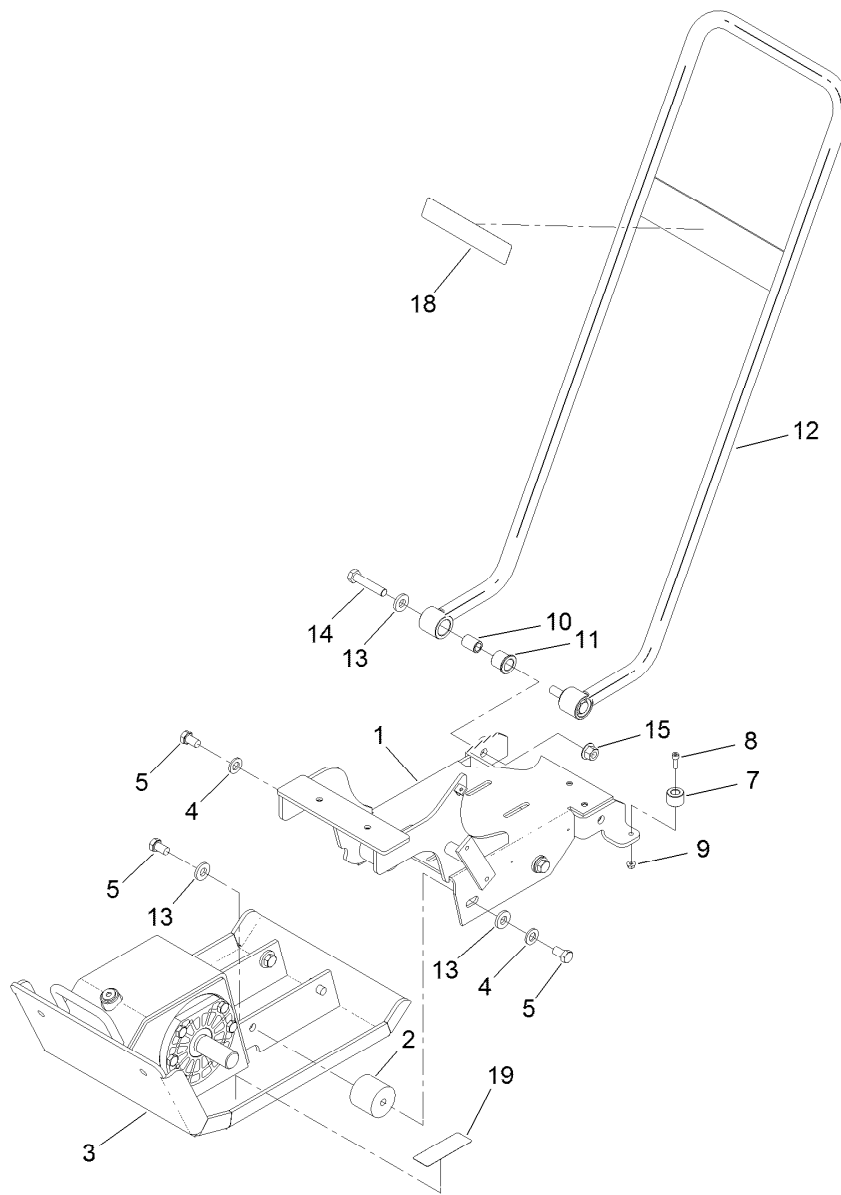
Reference Numbers Indicating Quantity

In an illustration, if a reference number indicates more than one part, the reference number has the form nX y. The n represents the quantity of the part, the X is the multiplication symbol, and the y represents the reference number.

For example, in an illustration, the reference number 2X 37 means that two of the parts identified by reference number 37 are indicated.

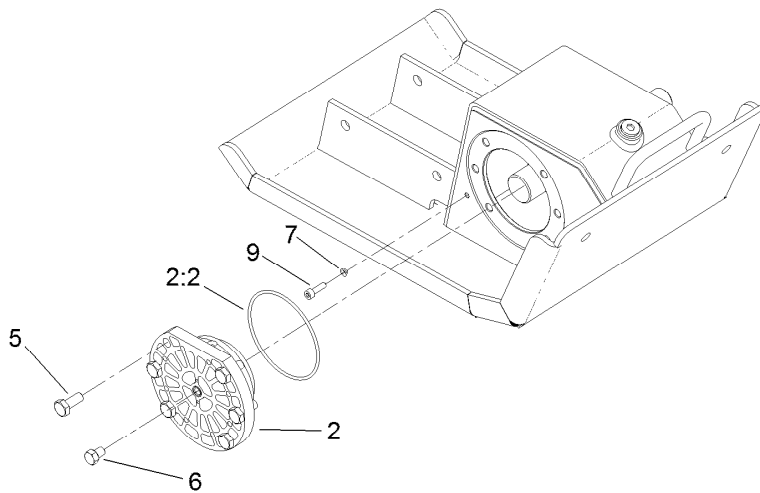
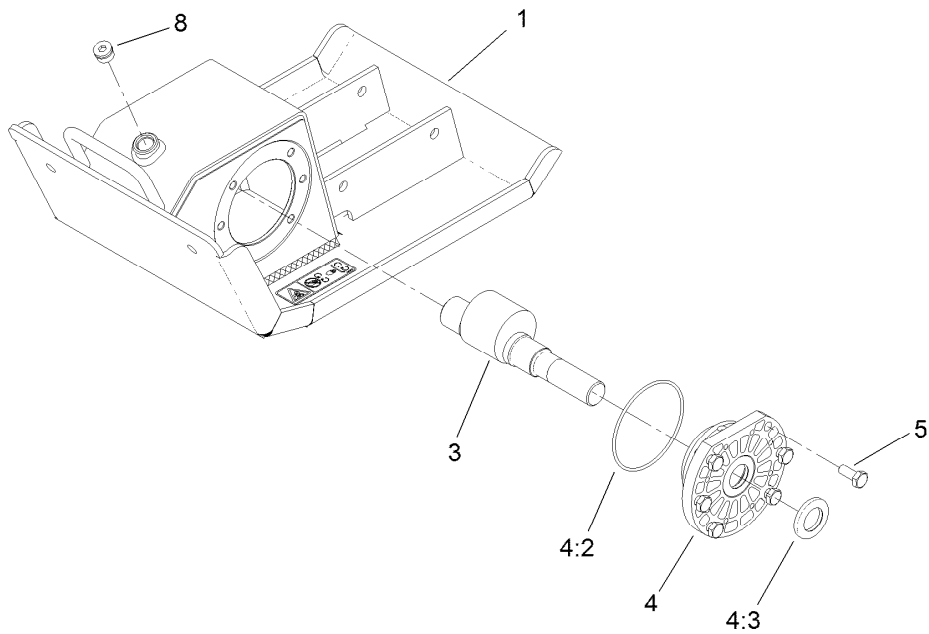
Contents

Handle and Base Assembly 4
Base Assembly No. 125-6229 5
Engine Assembly 6
Roll Cage and Water Tank Assembly 7



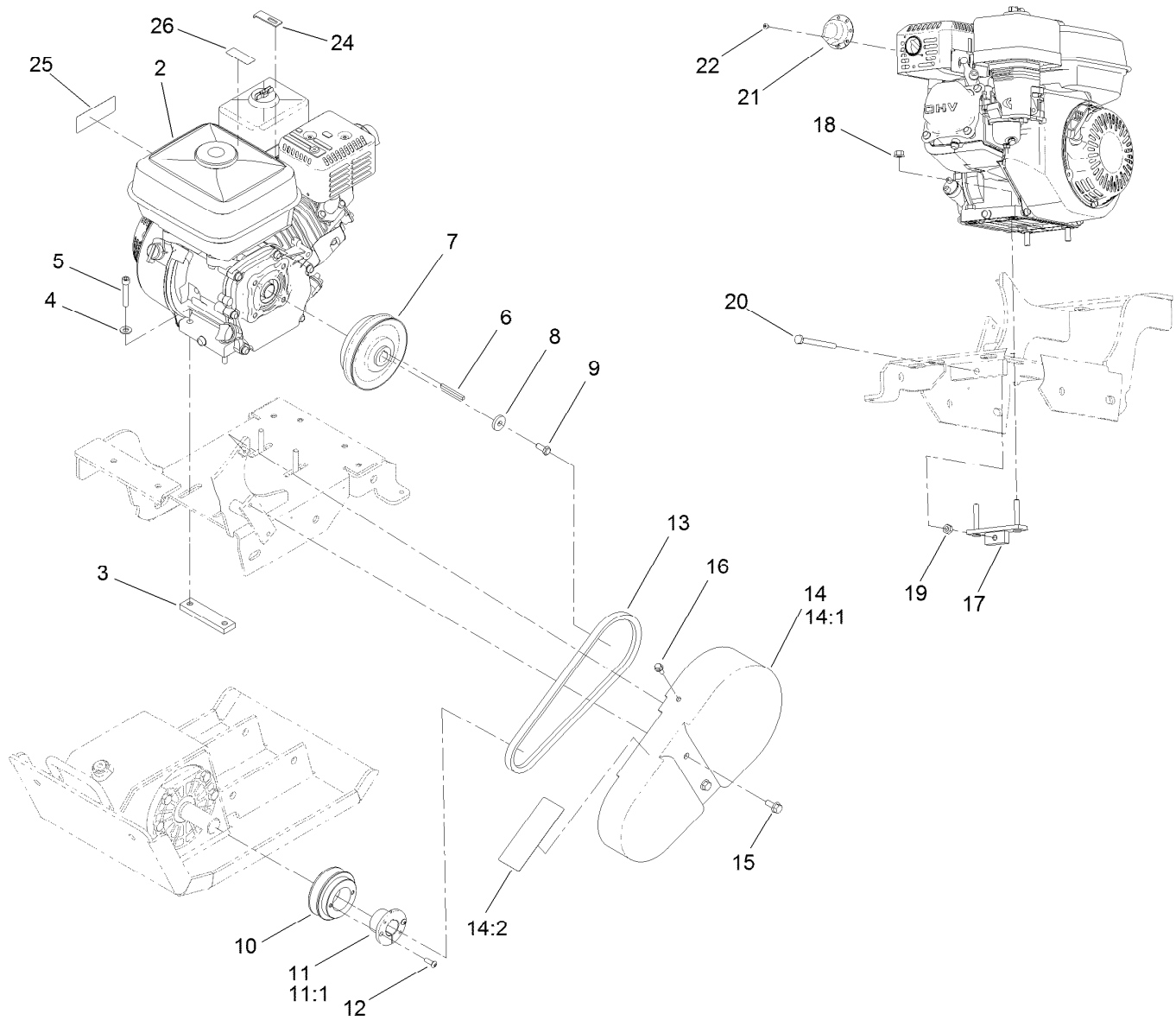
Handle and Base Assembly

<i>Ref.</i>	<i>Part Number</i>	<i>Qty.</i>	<i>Description</i>	<i>Ref.</i>	<i>Part Number</i>	<i>Qty.</i>	<i>Description</i>
1	125-6231-03	1	Deck-Engine	10	ST50510	2	Spacer-Handle, Pivot
2	132-4034	4	Mount-Shock	11	ST50509	2	Bushing-Handle, Main Plate
3	125-6229	1	Base ASM	12	ST50478-03	1	Handle-Main
4	33096-00	4	Washer-Flat	13	ST80891	8	Washer-Flat
5	33116-020	8	Screw-HH	14	33116-060	2	Screw-HH
7	ST50265	2	Spacer-Stop, Handle	15	115-1115	2	Nut-Lock, HHF
8	ST81213	2	Screw-HSH	18	125-4928	1	Decal
9	33003-00	2	Nut-HF	19	117-4979	1	Decal-Warning, Shields



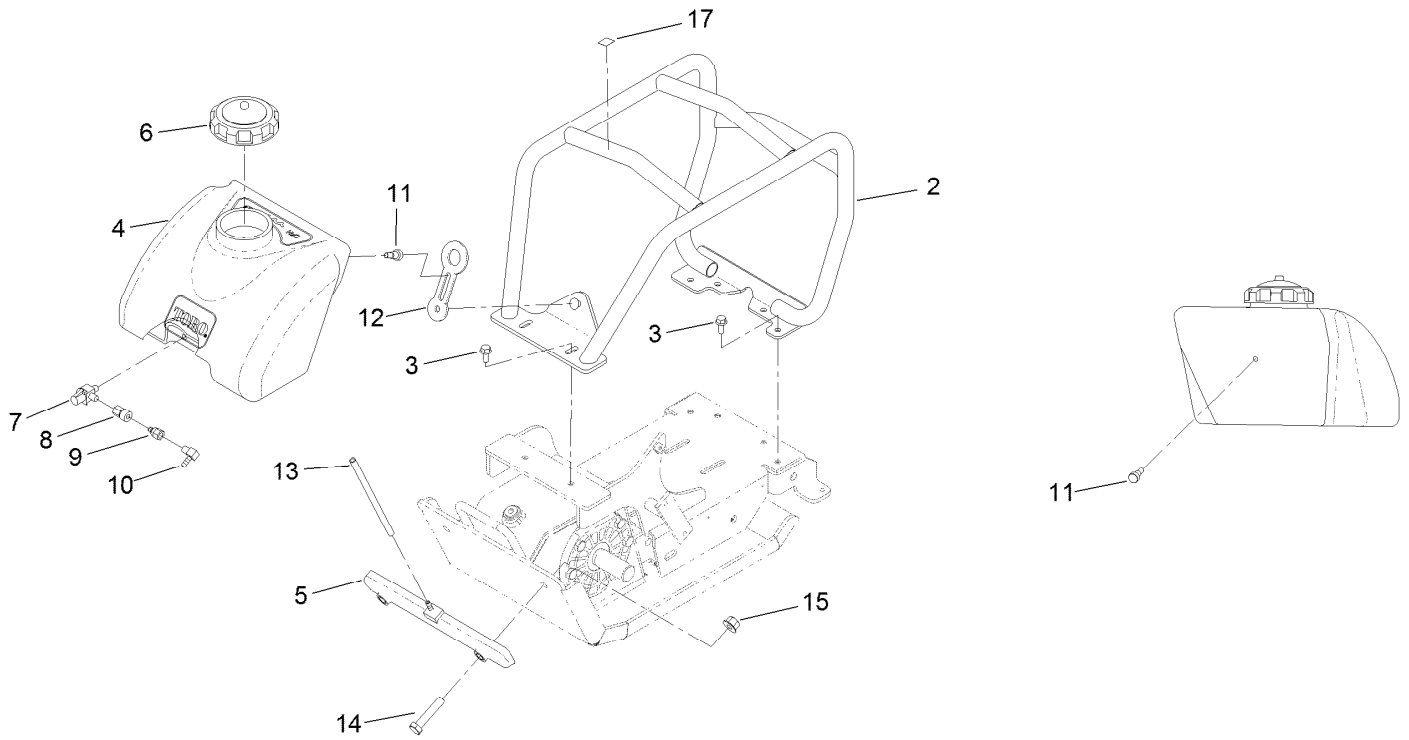
Base Assembly No. 125-6229

Ref.	Part Number	Qty.	Description
1	127-2818	1	Base ASM
2	ST22061	1	Plate Cap Bearing ASM
2:2	ST32033	1	O-Ring
3	ST43950	1	Shaft-Eccentric
4	ST22060	1	Plate Cap Bearing ASM
4:2	ST32033	1	O-Ring
4:3	ST32047	2	Seal-Shaft
5	43-0090	12	Screw-HH
6	ST80185	1	Screw-HH
7	ST81210	1	Washer-Sealing, Nyltite
8	ST47647	1	Fitting-HYD
9	ST81213	1	Screw-HSH



Engine Assembly

Ref.	Part Number	Qty.	Description	Ref.	Part Number	Qty.	Description
2	125-4821	1	Engine-Honda, Gx120	14:1	125-4802	1	Guard-Belt
3	ST50506	1	Plate-Nut, Engine	14:2	125-4943	1	Decal-Warning, Plate
4	33094-00	2	Washer-Plain	15	33104-020	2	Screw-HHF
5	127-0517	2	Screw-HSH	16	33103-016	1	Screw-HHF
6	105-9716	1	Key-Square	17	ST50257	1	Bracket-Adjuster, Engine
7	ST32347	1	Clutch, S-Plate	18	33004-00	2	Nut-HF
8	ST39233	1	Washer	19	33014-00	1	Nut-Hex
9	3235-6	1	Screw-HH	20	ST81191	1	Screw
10	ST32797	1	Sheave	21	125-3866	1	Deflector
11	138-3106	1	Bushing-Locking	22	125-0519	2	Screw-Self Tapping
11:1	3245-42	1	Screw-Set	24	ST43978	1	Clip-Throttle
12	3274-69	2	Screw-HSBH	25	133-5619	1	Decal-Arrester, Spark
13	ST39307	1	Belt-V	26	130-8322	1	Decal-Warning, Ethanol
14	127-2817	1	Guard-Belt				



Roll Cage and Water Tank Assembly

Ref.	Part Number	Qty.	Description
2	ST50215-03	1	Cage-Roll
3	33104-020	6	Screw-HHF
4	125-4811	1	Tank-Water
5	125-8174	1	Sprinkler
6	ST47241	1	Cap-Plastic
7	ST50497	1	Valve-Ball
8	ST50498	1	Fitting-Quick, Female
9	ST50499	1	Fitting-Quick, Female, Nipple
10	ST34486	1	Fitting-HYD, 90 DEG
11	ST81130	1	Screw-HSBH
12	ST47182	1	Latch-Rubber
13	125-8733	1	Hose-Water
14	33116-060	2	Screw-HH
15	115-1115	2	Nut-Lock, HHF
17	93-9084	1	Decal-Point, Lift



Count on it.