



**Count on it.**

**Parts Catalog**

**PT-46 Power Trowel**

Model No. 68050—Serial No. 402000000 and Up



# Ordering Replacement Parts

To order replacement parts, please supply the part number, the quantity, and the description of each part desired.

## Understanding Reference Numbers

Each identified part in an illustration has a reference number. The reference number for a part also appears in the parts list, along with other information about the part.

This catalog uses two special reference number formats, one to indicate parts in a service assembly and another to indicate the quantity of a given part in an illustration.

## Service Assembly Reference Numbers

Parts in service assemblies have reference numbers in the form a:b. The a represents the reference number of the entire service assembly and the b represents a sequential number unique to each part within the service assembly.

For example, a wheel assembly might be identified by reference number 6, the tire by 6:1, the valve by 6:2, and the wheel by 6:3. When you order the assembly identified by reference number 6, you receive all parts identified by reference numbers 6:1, 6:2, and 6:3. However, you may also order any part individually. Reference numbers of this type appear in illustration and in parts lists.

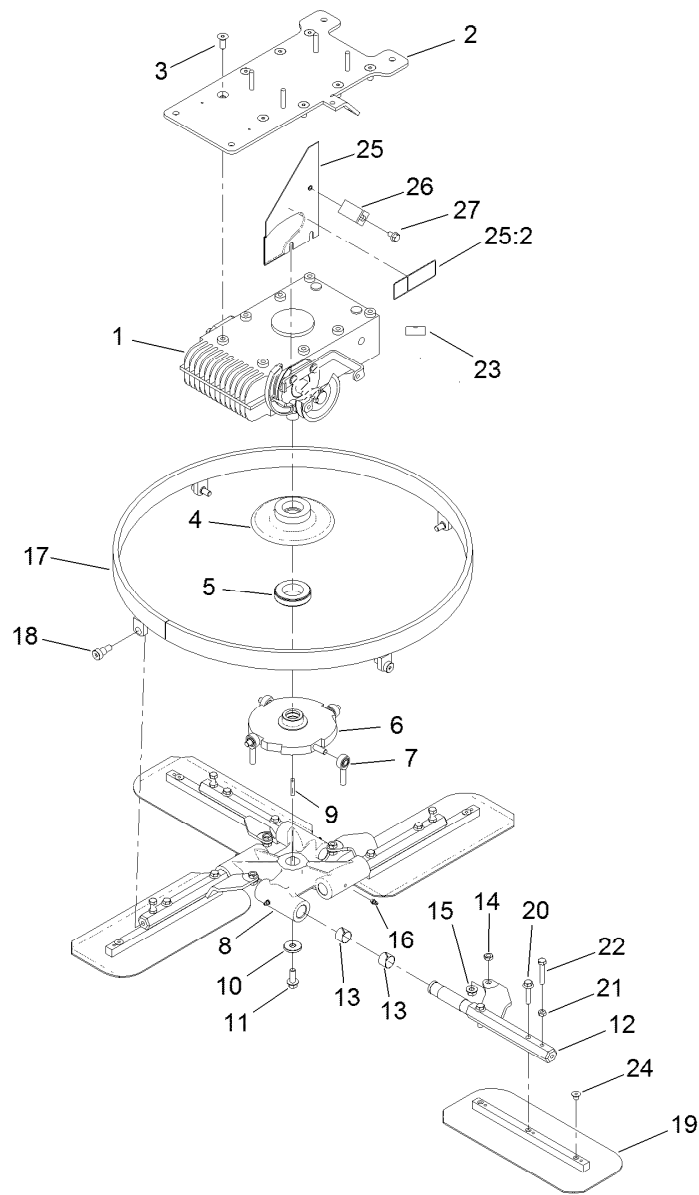
## Reference Numbers Indicating Quantity

In an illustration, if a reference number indicates more than one part, the reference number has the form nX y. The n represents the quantity of the part, the X is the multiplication symbol, and the y represents the reference number.

For example, in an illustration, the reference number 2X 37 means that two of the parts identified by reference number 37 are indicated.

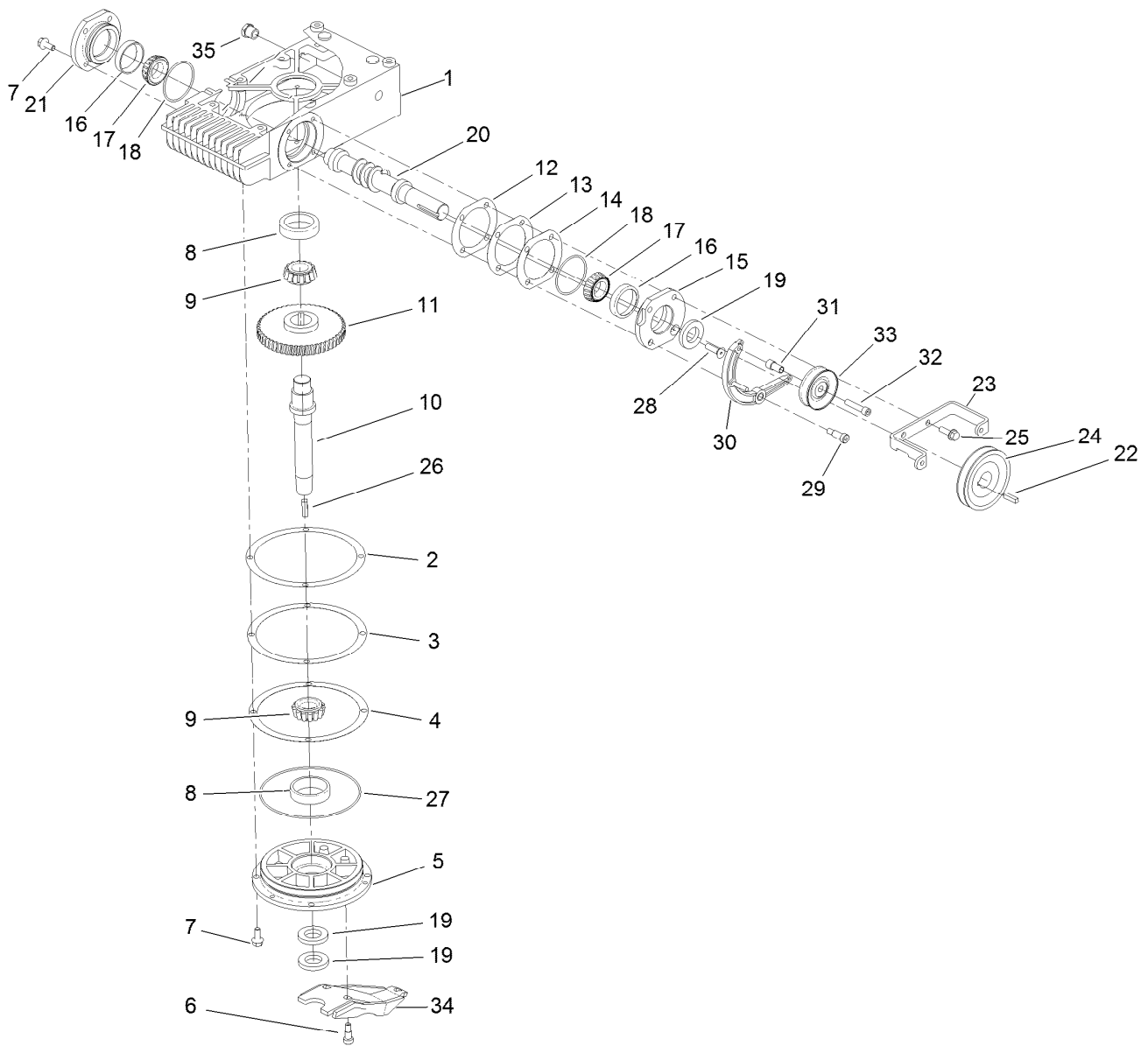
# Contents

46 Inch Rotating Ring, Blade and Gearbox Assembly .....	4
Gearbox Assembly No. 125-4991 .....	5
46 Inch Standard Handle and Guard Assembly.....	6
Standard Handle Assembly No. 125-4999.....	7
Engine Assembly .....	8



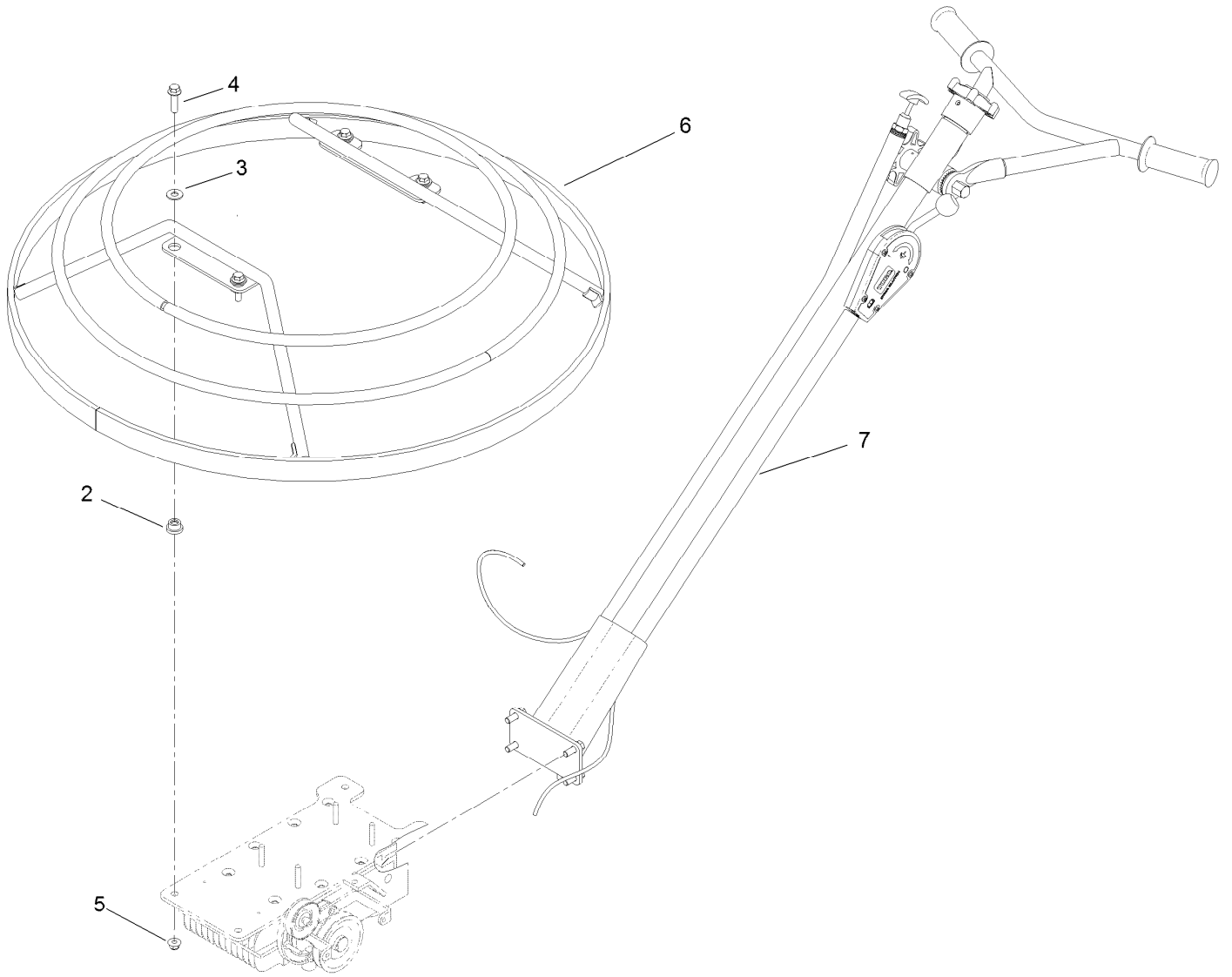
## 46 Inch Rotating Ring, Blade and Gearbox Assembly

<i>Ref.</i>	<i>Part Number</i>	<i>Qty.</i>	<i>Description</i>	<i>Ref.</i>	<i>Part Number</i>	<i>Qty.</i>	<i>Description</i>
1	125-4991	1	Gearbox ASM	15	127-6852	4	Nut-Flange, Lock
2	125-6248	1	Engine Base Assembly	16	ST46042	4	Fitting-Grease
3	ST80068	8	Screw	17	ST22172-01	1	Rotating-Ring
4	ST22200-01	1	Cover-Plate, Thrust	18	ST80066	4	Screw-HSBH
5	ST32123	1	Bearing-Ball	19	125-4996	4	Blade-Combination
6	ST21684	1	Plate-Tilt	20	115-1794	8	Screw-HHF
7	2411-36	4	Bearing-End, Rod	21	3218-2	4	Nut-Jam
8	ST28283	1	Spider-4 Arm	22	322-41	4	Screw-HH
9	79-3370	1	Key	23	ST28022	1	Rod-Pivot, Cable
10	ST28435	1	Washer-Flat	24	ST47183	4	Carplug-Red
11	3234-42	1	Screw-HHF	25	127-2802	1	Rear Belt Guard ASM
12	ST22184-03	4	Arm	25:2	117-4979	1	Decal-Warning, Shields
13	ST32180	8	Bushing-Sleeve, Nylon	26	ST28431-01	1	Guide-Belt
14	3220-3	4	Nut-HJ	27	100-1719	1	Screw-Flange



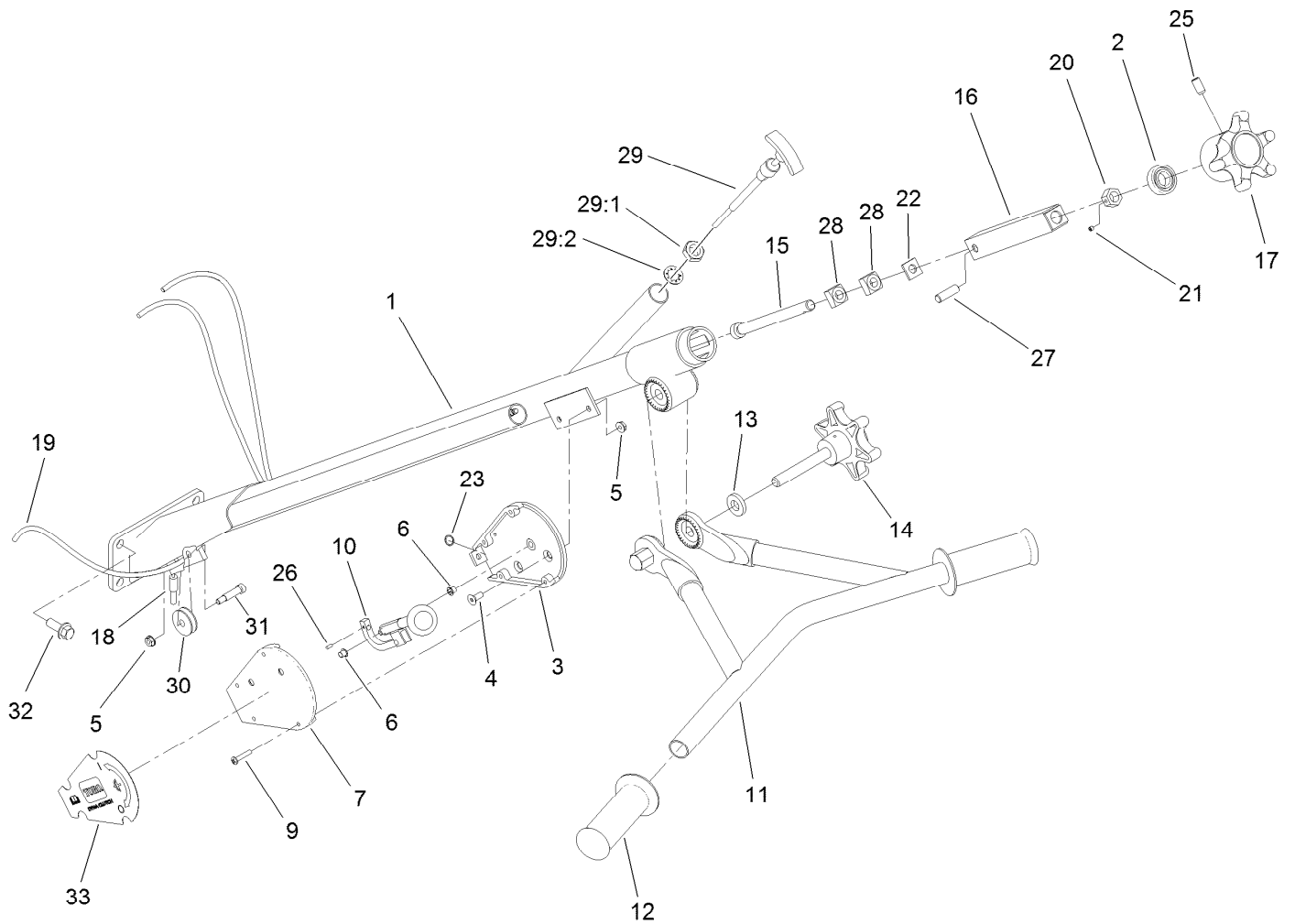
## Gearbox Assembly No. 125-4991

Ref.	Part Number	Qty.	Description	Ref.	Part Number	Qty.	Description
1	ST39547	1	Gearcase	16	254-72	2	Bearing-Cup, Tapered
2	ST47333	3	Shim-Cover, Bottom (.001 Inch)	17	254-94	2	Bearing-Cone, Tapered
3	ST47334	1	Shim-Cover, Bottom (.005 Inch)	18	400-0261	2	O-Ring
4	ST47335	5	Shim-Cover, Bottom (.010 Inch)	19	ST39014	3	Seal-Shaft
5	ST42720	1	Cap-Bearing, Bottom	20	ST42712	1	Shaft-Input
6	ST80285	2	Screw-HSBH	21	ST42719	1	Cover-Bearing, Blind End
7	3234-47	8	Screw-HHF	22	5-7280	1	Key
8	127-5561	2	Bearing-Cup	23	ST42787-01	1	Bracket-Guard, Belt
9	127-5560	2	Bearing-Cone	24	ST34835	1	Sheave
10	ST42715	1	Shaft-Output	25	3234-17	2	Screw-HHF
11	ST39009	1	Gear-Worm	26	ST80744	1	Key-Hardened
12	ST47336	3	Shim-Cover, Side (.001 Inch)	27	ST32272	1	O-Ring
13	ST47337	1	Shim-Cover, Side (.005 Inch)	28	ST80105	1	Screw
14	ST47338	5	Shim-Cover, Side (.010 Inch)	29	119-6915	1	Screw-Shoulder, HSH
15	ST42718	1	Cover-Bearing, Sheave End	30	127-1662	1	Clutch Lever ASM
				31	127-7628	1	Spacer-Idler, Trowel
				32	3274-83	1	Screw-HSH
				33	127-7629	1	Idler-V, Trowel
				34	125-8707-01	1	Lever-Tilt
				35	ST34096	1	Plug-Sight, Oil



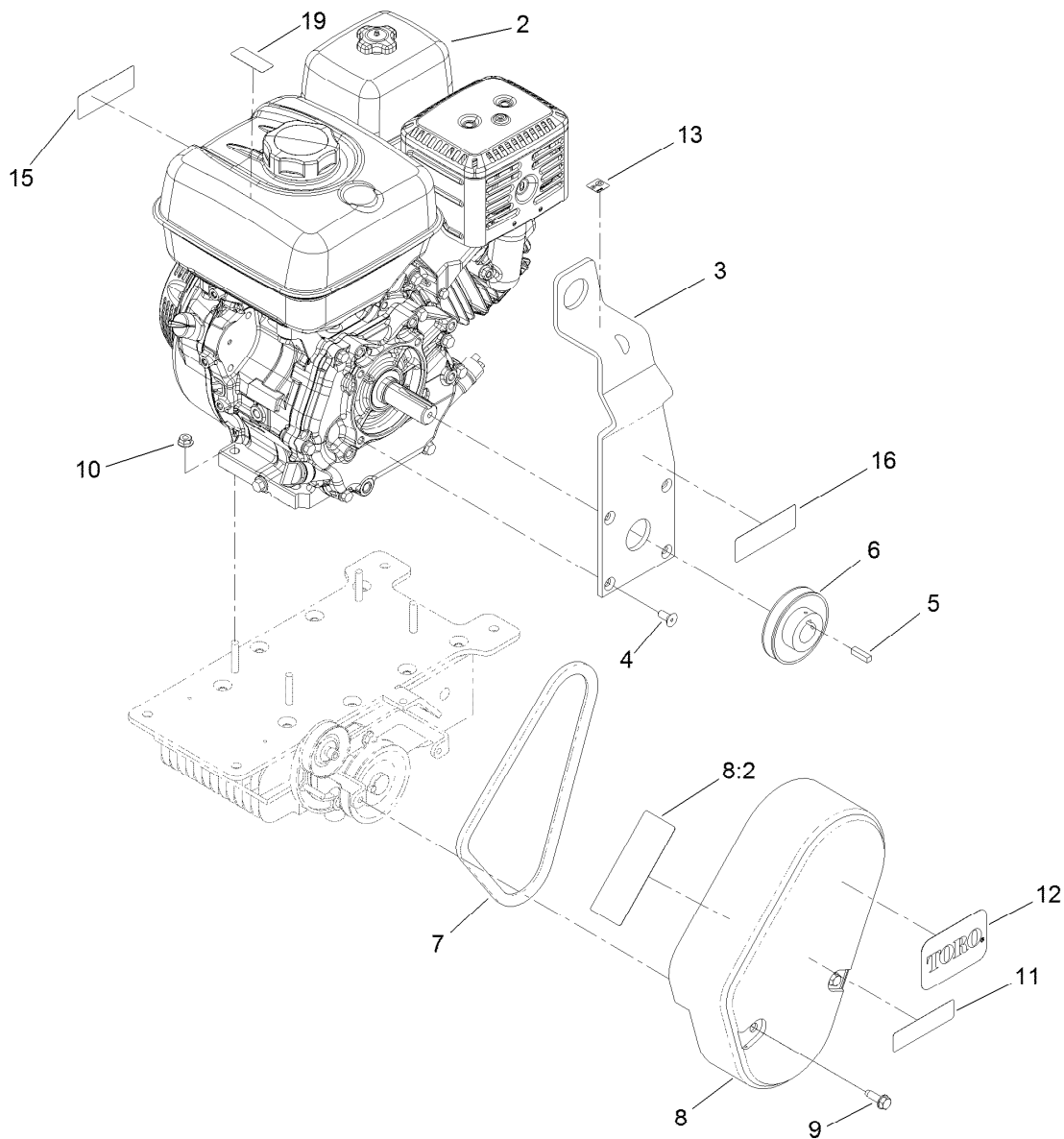
## 46 Inch Standard Handle and Guard Assembly

<i>Ref.</i>	<i>Part Number</i>	<i>Qty.</i>	<i>Description</i>
2	ST47355	4	Mount-Shock
3	3256-4	4	Washer-Flat
4	114-4681	4	Screw-HHF
5	104-8301	4	Nut-HF, NI
6	127-2804-01	1	Guard-Stationary
7	125-4999	1	Handle-Standard



## Standard Handle Assembly No. 125-4999

Ref.	Part Number	Qty.	Description	Ref.	Part Number	Qty.	Description
1	ST22169-01	1	Handle-Main	19	ST35202	1	Clutch Cable ASM
2	ST32118	1	Bearing-Ball	20	ST42530	1	Nut-Lock, Tilt
3	ST27353	1	Housing-Clutch	21	ST81156	1	Screw-HSH, Set
4	3274-47	2	Screw-HSFH	22	ST47185	1	Washer-Square
5	32149-2	3	Nut-Keps	23	ST80069	1	Ring-External
6	ST32117	2	Bushing-Flange	25	ST80261	1	Screw-HSH, Set
7	ST27355	1	Cover-Clutch	26	ST80305	1	Pin
9	ST80070	4	Screw-PPH	27	ST80321	1	Pin
10	ST21977	1	Lever ASM	28	3290-510	2	Nut-Square
11	127-2809-01	1	Handle-Adjustable	29	ST35346	1	Cable ASM
12	ST47125	2	Grip-Handle	29:1	127-5558	1	Nut-Jam
13	ST80125	1	Washer-Flat	29:2	127-5559	1	Washer-Lock
14	ST21844	1	Knob-Adjustment	30	ST36767	1	Pulley-Pivot
15	ST22239	1	Rod-Tilt	31	ST80275	1	Screw-HSBH
16	ST22244-01	1	Block-Tilt	32	3234-42	4	Screw-HHF
17	ST27360	1	Handle-Tilt, Blade	33	125-4934	1	Decal
18	ST34795	1	Cable-Tilt				



## Engine Assembly

Ref.	Part Number	Qty.	Description	Ref.	Part Number	Qty.	Description
2	125-4814	1	Engine-Honda, Gx240 ●	9	701243	2	Screw-Thd Roll, HWH
3	127-5586	1	Plate-Eye, Lift	10	32128-26	4	Nut-Flange
3	ST28683-01	1	Eye-Lift	11	125-4932	1	Decal
4	ST80171	4	Screw	12	105-6971	1	Decal
5	ST80674	1	Key-Square	13	93-9084	1	Decal-Point, Lift
6	ST34834	1	Sheave	15	133-5619	1	Decal-Arrester, Spark
7	ST35333	1	Belt-V	16	117-4979	1	Decal-Warning, Shields
8	127-2801	1	Belt Guard ASM	19	130-8322	1	Decal-Warning, Ethanol
8:2	125-4933	1	Decal-Warning				

● Obtain parts from [www.honda-engines.com](http://www.honda-engines.com)



**Notes:**

**Notes:**

**Notes:**



**Count on it.**