



Shear Bolt Kit Out Front Z	
Part No. 99-0281	INSTALLATION INSTRUCTIONS

Loose Parts

Note: Use the chart below to identify parts for assembly.

DESCRIPTION	QTY.	USE
Spacer	2	Replace spacer (as required)
Shear Bolt Lock Nut	8 8	Install new shear bolt

Checking blade movement

1. Disengage the power take off (PTO), set the parking brake, and turn the ignition key to “OFF” to stop the engine. Remove the key.
2. Flip up deck and lock into vertical position.
3. Remove shear bolts (Fig.1).

Note: Do not remove blade bolt when checking blade movement.

4. Rotate blade. Blade should rotate freely. If blade does not rotate freely, proceed to Replacing spacer. If it does, proceed to Installing new shear bolt (Fig.1).
5. Repeat this procedure for second blade.

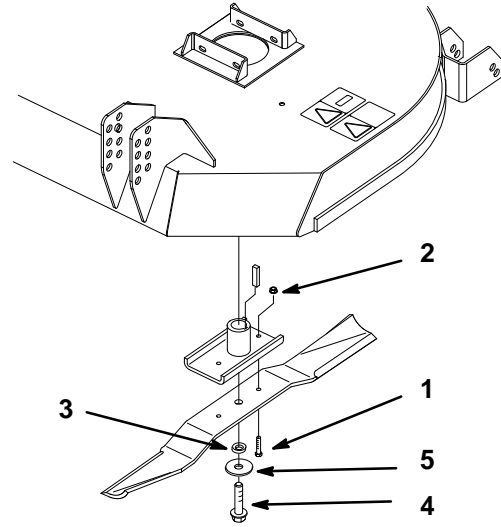


Figure 1

- | | |
|---------------|---------------|
| 1. Shear Bolt | 4. Blade Bolt |
| 2. Lock Nut | 5. Old Spacer |
| 3. New Spacer | |

Replacing spacer

1. Remove blade bolt.
2. Remove old spacer and replace with new spacer (Fig.1).
3. Reinstall blade bolt. Tighten blade bolt to 85–110 ft-lb (115–140 N•m) (Fig.1).
4. Proceed to Installing new shear bolt.

Installing new shear bolt

1. Install new shear bolts and lock nuts. Tighten the shear bolt to 80–90 in-lb (9–10 N•m) (Fig.1).

Note: Notice the direction of the shear bolts being replaced (Fig.1).