

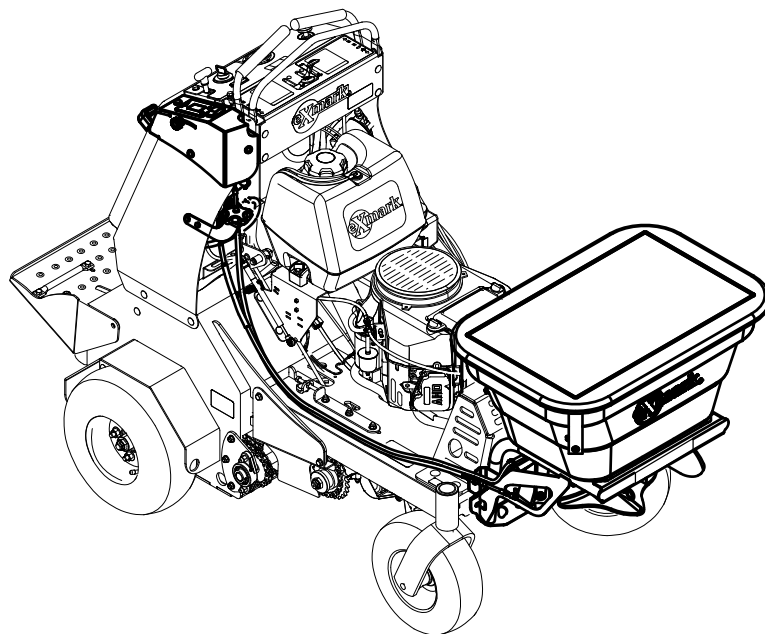


135-0192

SPREADER ACCESSORY

Model No. 135-0192—Serial No. 402082300 and Up

Picture below may not reflect actual product.



Parts Manual

Part No. 4503-428 Rev. B

Ordering Replacement Parts

To order replacement parts, please supply the part number, the quantity, and the description of each part desired.

Understanding Reference Numbers

Each identified part in an illustration has a reference number. The reference number for a part also appears in the parts list, along with other information about the part.

This catalog uses two special reference number formats, one to indicate parts in a service assembly and another to indicate the quantity of a given part in an illustration.

Service Assembly Reference Numbers

Parts in service assemblies have reference numbers in the form a:b. The a represents the reference number of the entire service assembly and the b represents a sequential number unique to each part within the service assembly.

For example, a wheel assembly might be identified by reference number 6, the tire by 6:1, the valve by 6:2, and the wheel by 6:3. When you order the assembly identified by reference number 6, you receive all parts identified by reference numbers 6:1, 6:2, and 6:3. However, you may also order any part individually. Reference numbers of this type appear in illustration and in parts lists.

Reference Numbers Indicating Quantity

In an illustration, if a reference number indicates more than one part, the reference number has the form nX y. The n represents the quantity of the part, the X is the multiplication symbol, and the y represents the reference number.

For example, in an illustration, the reference number 2X 37 means that two of the parts identified by reference number 37 are indicated.

Touch Up Paint

Exmark black touch up spray paint – gloss black.

Exmark red touch up paint (spray paint – P/N 1-850337 - .6 oz liquid bottle – P/N 103-9140).



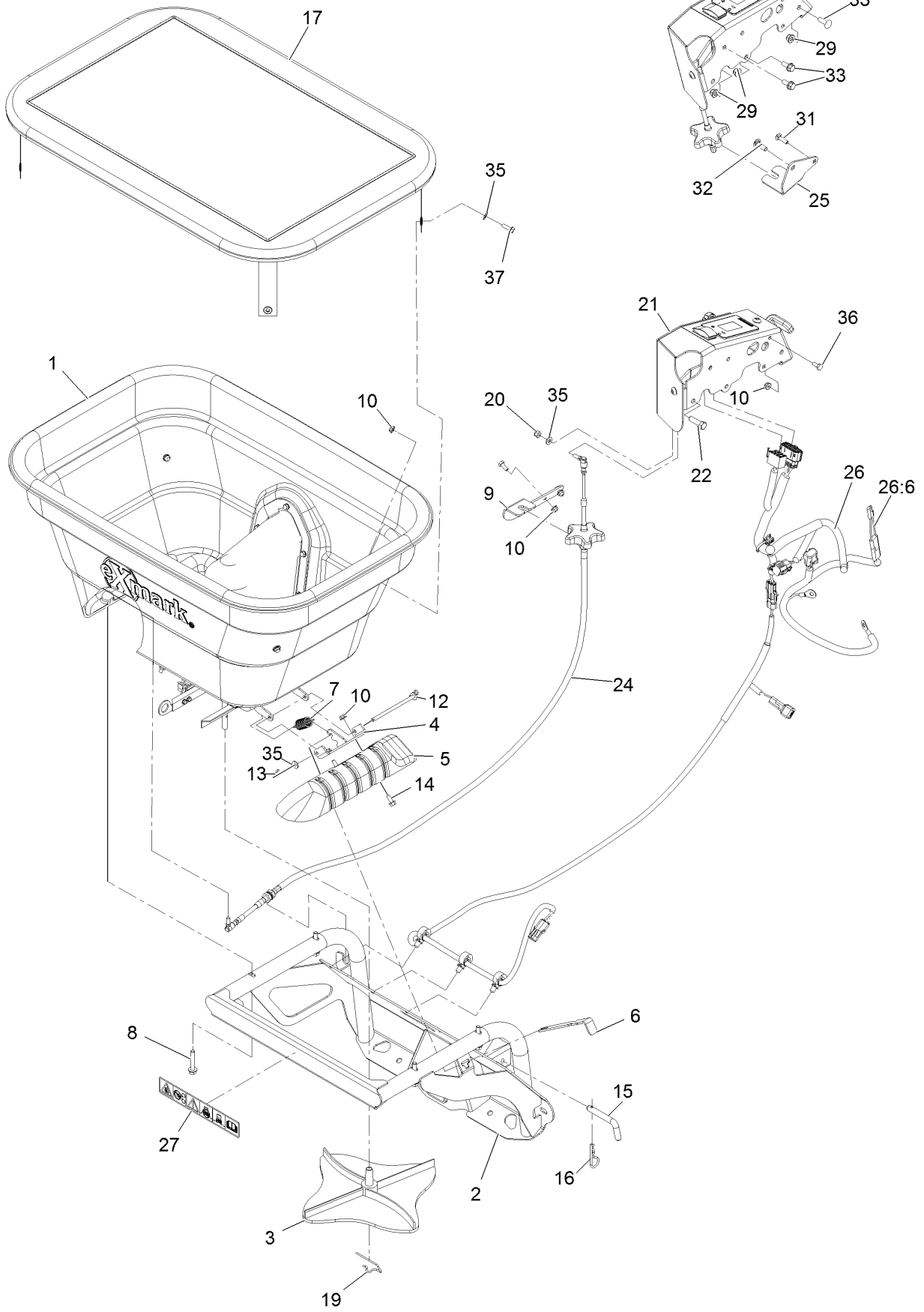
If your Exmark dealer does not have the Exmark part in stock, Exmark will get the parts to the dealer the next business day or the part will be FREE Guaranteed!! (Some restrictions apply. See your participating Exmark Dealer for details.)

Contents

Spreader Assembly 4
Spreader Hopper 6
Spreader Controller Assembly 8

Spreader Assembly

24 INCH MODEL

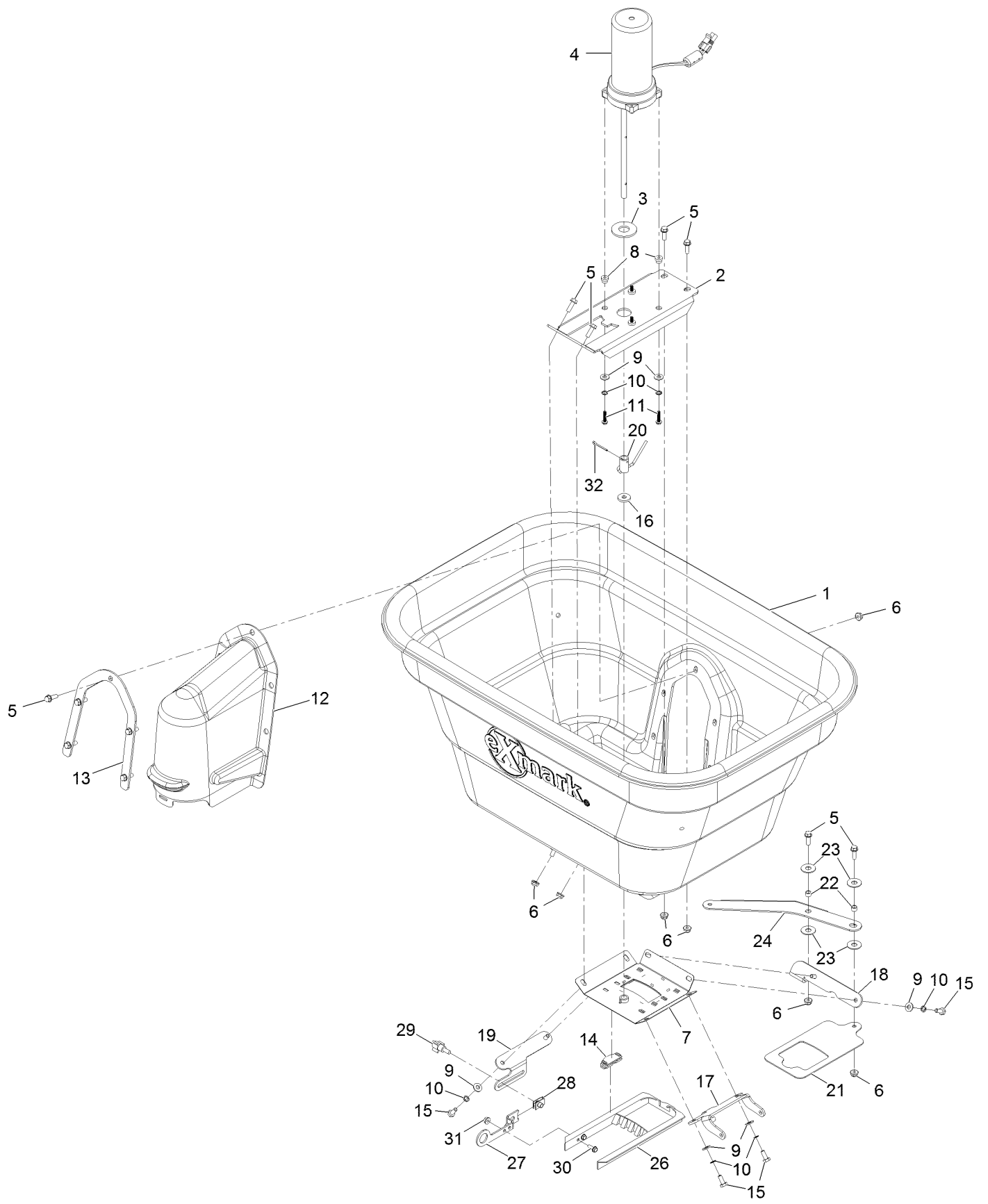


Spreader Assembly (continued)

<i>Ref.</i>	<i>Part Number</i>	<i>Qty.</i>	<i>Description</i>	<i>Ref.</i>	<i>Part Number</i>	<i>Qty.</i>	<i>Description</i>
1		1	Asy-Spreader Hopper (Exmark) ●	19	126-1246	1	Clip-Spinner
2	135-0193-03	1	Spreader Hopper Frame ASM	20	3296-3	2	Nut-Nyloc 1/4-28
3	126-0858	1	Spinner-Spreader	21		1	Spreader Controller ASM ●
4	135-1514-03	1	Bracket-Deflector	22	323-7	1	Screw-HH 3/8-16 X 1 1/4
5	126-8623	1	Deflector	24	135-0841	1	Cable-Push, Pull
6	126-8625	1	Strap-Engagement	25	135-0857-03	1	Bracket-Cable
7	92-7305	1	Spring-Extension	26	135-0700	1	Harness
8	94-5780	4	Screw-HWH	26:6	135-0878	1	Connector
9	126-8634-03	1	Bracket-Cable	27	126-4994	1	Decal-Down, Tie
10	104-7201	2	Nut-Nyloc 1/4-20 Flg	29	104-8300	3	Nut-Nyloc 5/16-18 Flg
12	126-8636	1	Pin-Pivot	31	3229-2	1	Bolt-Carriage 1/4-20 X 1
13	1-806003	2	Hairpin-Cotter	32	3230-22	1	Bolt-Carriage 5/16-18 X 1 Sp
14	126-1592	2	Screw-Head, Flange	33	3234-47	3	Screw-HH Flg 5/16-18 X 3/4
15	126-8637	1	Pin-Hitch	35	3256-22	4	Washer-1/4 SAE
16	3290-256	1	Pin-Hair	36	321-3	3	Screw-HH 1/4-20 X 5/8
17	126-2815	1	Cover-Hopper	37	32105-15	4	Screw-Machine 1/4-20 X 3/4

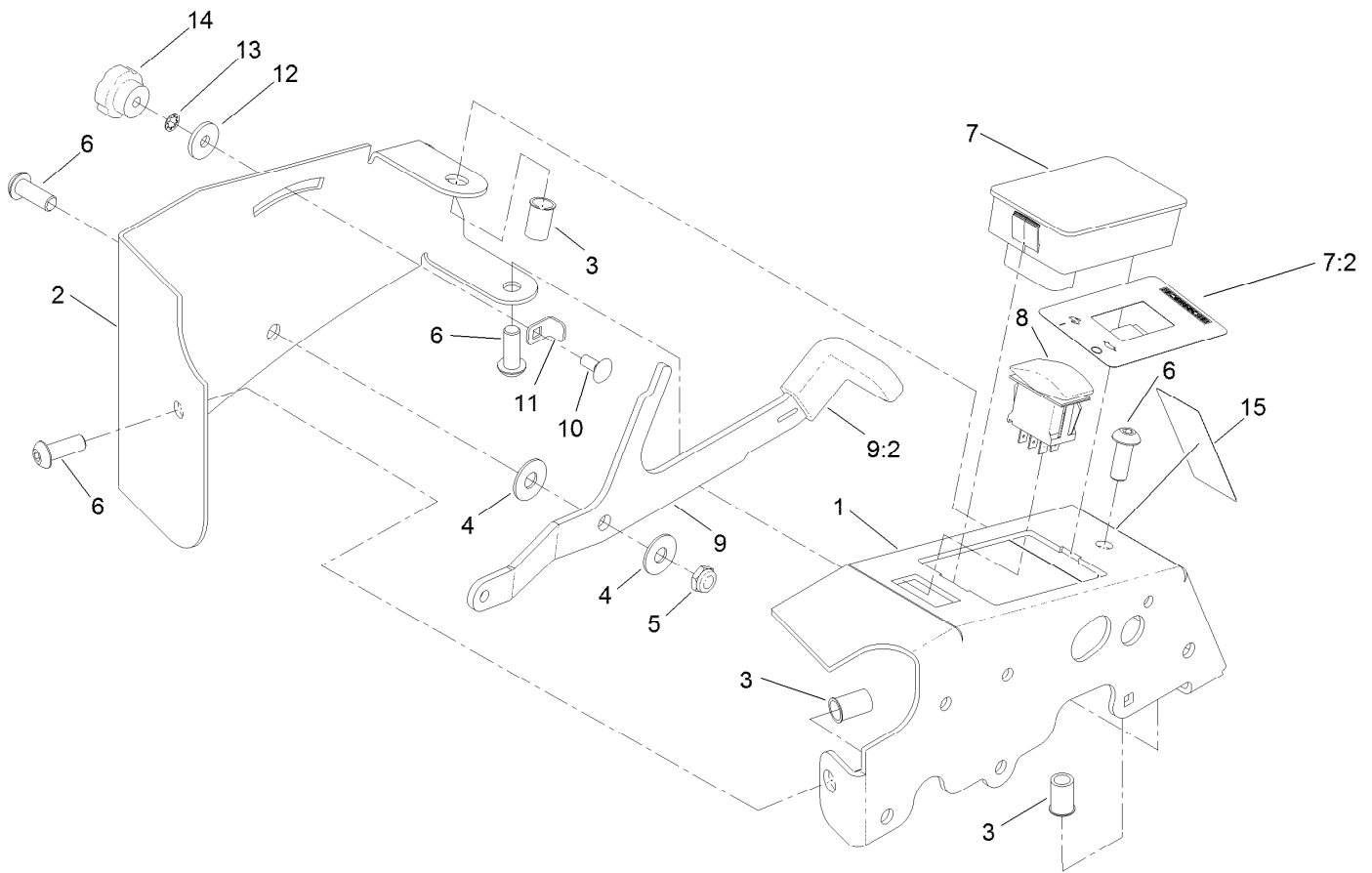
● Not serviced separately

Spreader Hopper



Spreader Hopper (continued)

<i>Ref.</i>	<i>Part Number</i>	<i>Qty.</i>	<i>Description</i>	<i>Ref.</i>	<i>Part Number</i>	<i>Qty.</i>	<i>Description</i>
1	135-0671	1	Hopper-Spreader, 175 Lb (Exmark)	16	126-1252	1	Washer-Felt
2	126-8616-03	1	Mount-Motor	17	126-8622-03	1	Mount-Deflector
3	83-2400	1	Spacer	18	135-0697-03	1	Mount-Gate, Pivot
4	126-0379	1	Motor-Spreader	19	135-0701-03	1	Mount-Gate, Pivot
5	32105-15	12	Screw-Machine 1/4-20 X 3/4	20	135-0714	1	Weld-Agitator
6	104-7201	12	Nut-Nyloc 1/4-20 Flg	21	135-0696-03	1	Gate-Spreader, Seed
7	126-8620	1	Gate-Bearing	22	126-3684	2	Spacer
8	126-6190	4	Spacer-Flanged	23	93-1633	4	Washer
9	3256-22	10	Washer-1/4 SAE	24	135-0698-03	1	Arm-Engagement
10	363-8641	10	Washer-Lock, Int	26	126-0991	1	Diffuser
11	739001	4	Screw-SHWH 10-32 X 7/8	27	135-0702-03	1	Bracket-Accuway, Slide
12	126-1348	1	Cover-Motor	28	107069	1	Nut-Retainer-Panel 1/4-20
13	126-8621-03	1	Support-Cover	29	233-70	1	Knob-Star, Three
14	126-0990	4	Guide-Rate, Gate	30	32105-23	2	Screw
15	321-3	6	Screw-HH 1/4-20 X 5/8	31	32128-17	2	Nut-Flange #10-24 Top Lock
				32	3272-7	1	Pin-Cotter



Spreader Controller Assembly

<i>Ref.</i>	<i>Part Number</i>	<i>Qty.</i>	<i>Description</i>	<i>Ref.</i>	<i>Part Number</i>	<i>Qty.</i>	<i>Description</i>
1	135-0735-03	1	Bracket-Mount	8	100-1535	1	Switch, (On)-Off-(On)
2	135-0736-03	1	Cover-Controller, Spreader	9	135-1389	1	Handle
3	32148-10	3	Insert-Nut	9:2	135-0858	1	Grip-Control, Lever
4	93-1633	2	Washer	10	3229-11	1	Screw-CARR
5	3296-59	1	Nut-Lock, NI	11	135-0800	1	Bracket-Gate, Set
6	3274-94	4	Screw-HSBH	12	66-2921	1	Washer-Friction
7	135-1872	1	Spreader Control Module ASM	13	363-8641	1	Washer-Lock, Int
7:2	135-0739	1	Decal-Speed, Impeller	14	233-67	1	Knob-Chute
				15	135-0990	1	Decal-Control, Spread

Notes:

Notes:

Notes:

EXMARK ACCESSORIES AND OPTIONS*

MID-MOUNT RIDING ACCESSORIES AND OPTIONS

CUSTOM RIDE SEAT SUSPENSION SYSTEM	OPERATOR CONTROLLED DISCHARGE
FULL SUSPENSION SEAT	SUN SHADE
DECK LIFT ASSIST KIT	TRASH CONTAINER
HITCH KIT	TURF STRIPER
LIGHT KIT	ULTRA VAC COLLECTION SYSTEM
12V POWER PORT	ULTRA VAC QUICK DISPOSAL SYSTEM
MICRO-MULCH SYSTEM	

OUT-FRONT RIDING ACCESSORIES AND OPTIONS

CUSTOM RIDE SEAT SUSPENSION SYSTEM	SNOW BLADE
DUAL-TAIL WHEEL	SNOWBLOWER
FLOOR PAN EXTENDER	SUN SHADE
HITCH KIT	TRASH CONTAINER
LIGHT KIT	ULTRA VAC COLLECTION SYSTEM
MICRO-MULCH SYSTEM	ULTRA VAC QUICK DISPOSAL SYSTEM
ROLL OVER PROTECTION SYSTEM (ROPS)	WEATHER CAB

WALK-BEHIND ACCESSORIES AND OPTIONS

GRASS CATCHER	TURF STRIPER
MICRO-MULCH SYSTEM	STANDON

*Some accessories and options not available for some models.

Place Model No. and Serial No.
Label Here (Included in the Literature
Pack) or Fill in Below

Model No. _____

Serial No. _____

Date Purchased _____

Engine Model No. and Spec. No. _____

Engine Serial No. (E/No) _____

© 2017 Exmark Mfg. Co., Inc.
Industrial Park Box 808
Beatrice, NE 68310
All Rights Reserved

Part No. 4503-428 Rev. B
(402) 223-6375
Fax (402) 223-5489
Printed in the USA.

