



**Count on it.**

**Parts Catalog**

**Log Splitter**

Model No. 22618—Serial No. 402000000 and Up

Model No. 22618HD—Serial No. 402000000 and Up



# Ordering Replacement Parts

To order replacement parts, please supply the part number, the quantity, and the description of each part desired.

## Understanding Reference Numbers

Each identified part in an illustration has a reference number. The reference number for a part also appears in the parts list, along with other information about the part.

This catalog uses two special reference number formats, one to indicate parts in a service assembly and another to indicate the quantity of a given part in an illustration.

## Service Assembly Reference Numbers

Parts in service assemblies have reference numbers in the form a:b. The a represents the reference number of the entire service assembly and the b represents a sequential number unique to each part within the service assembly.

For example, a wheel assembly might be identified by reference number 6, the tire by 6:1, the valve by 6:2, and the wheel by 6:3. When you order the assembly identified by reference number 6, you receive all parts identified by reference numbers 6:1, 6:2, and 6:3. However, you may also order any part individually. Reference numbers of this type appear in illustration and in parts lists.

## Reference Numbers Indicating Quantity

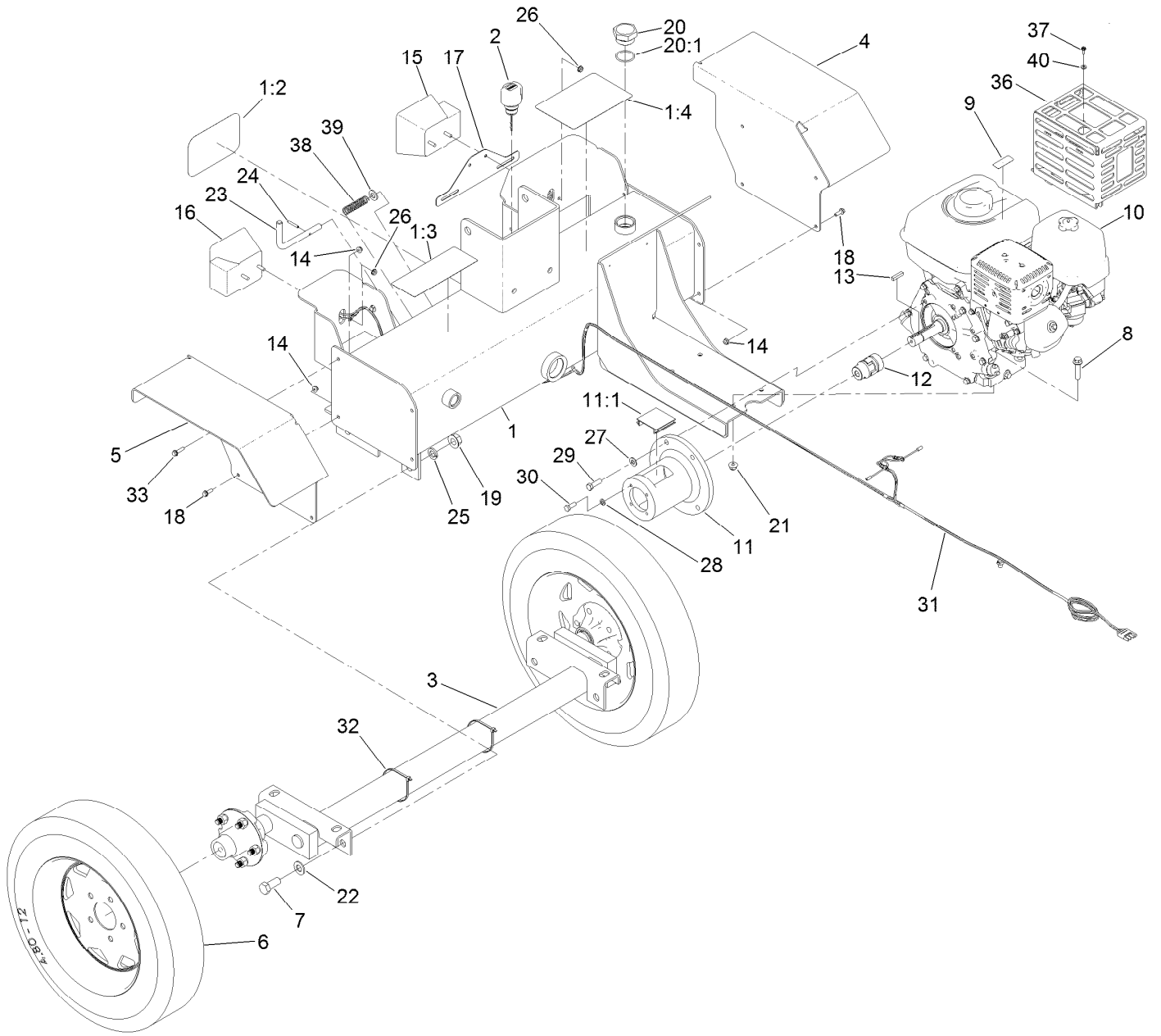
In an illustration, if a reference number indicates more than one part, the reference number has the form nX y. The n represents the quantity of the part, the X is the multiplication symbol, and the y represents the reference number.

For example, in an illustration, the reference number 2X 37 means that two of the parts identified by reference number 37 are indicated.

# Contents

- Engine, Axle and Hydraulic Tank Assembly ..... 4
- Frame and Jack Assembly ..... 6
- Jack Assembly No. 120-1421 ..... 8
- Hydraulic System Assembly ..... 10
- Attachments and Accessories ..... 12

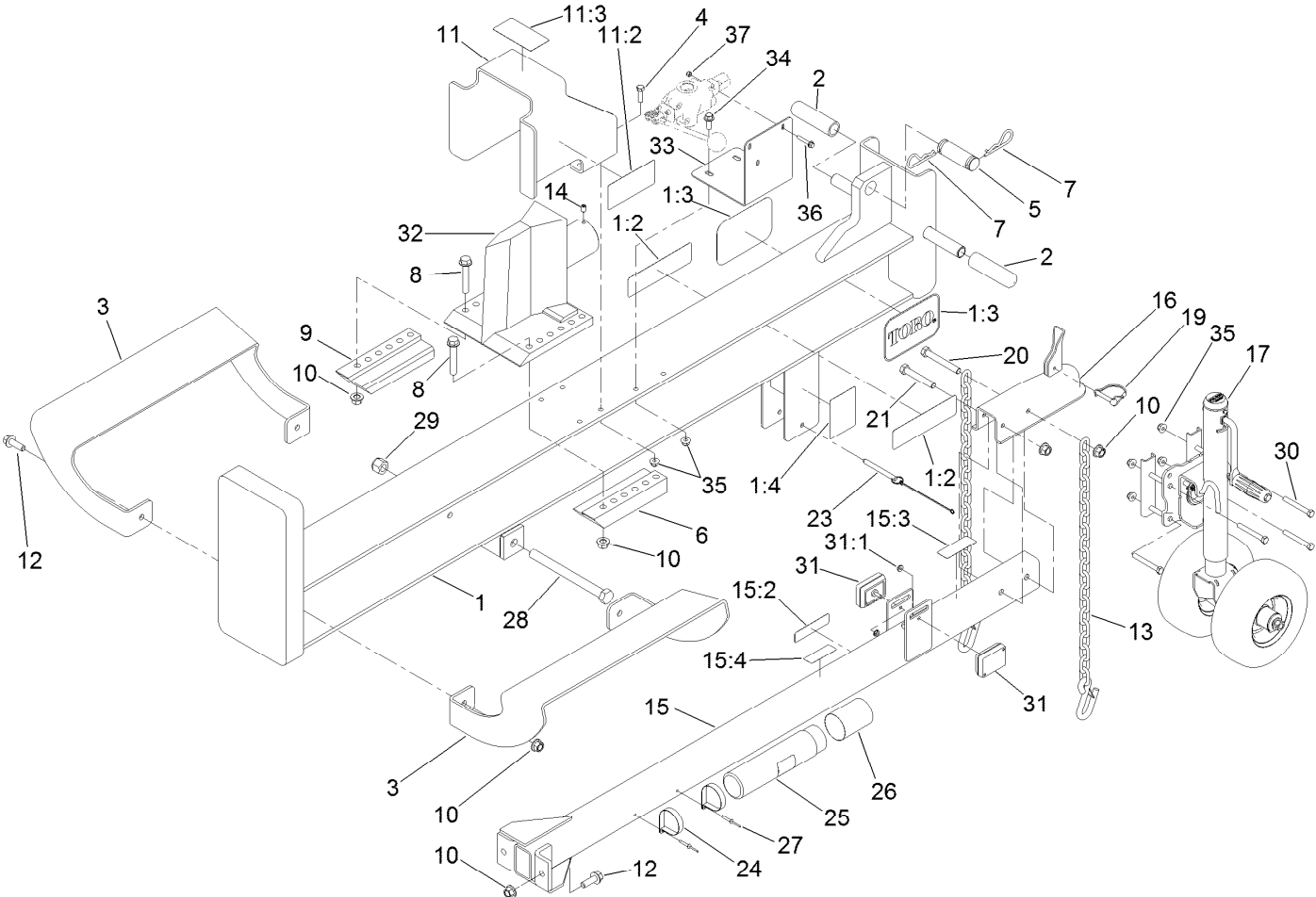
# Engine, Axle and Hydraulic Tank Assembly



# Engine, Axle and Hydraulic Tank Assembly (continued)

<i>Ref.</i>	<i>Part Number</i>	<i>Qty.</i>	<i>Description</i>	<i>Ref.</i>	<i>Part Number</i>	<i>Qty.</i>	<i>Description</i>
1	137-0637	1	HYD Tank ASM	19	32128-50	4	Nut-Flange
1:2	62-5550	1	Decal	20	108-8468	1	Plug-HH
1:3	137-0551	1	Decal-Warning	20:1	237-101	1	O-Ring
1:4	137-0590	1	Decal-Service	21	104-8301	4	Nut-HF, NI
2	132-9292	1	Breather	22	119-1868	4	Washer
3	136-4575	1	Axle ASM	23	137-0601	1	Pin-Latch
4	137-0639-03	1	Fender-LH	24	32121-34	1	Pin-Roll
5	137-0638-03	1	Fender-RH	25	3253-23	4	Washer-Lock
6	120-1206	2	Wheel And Tire ASM	26	32149-2	4	Nut-Keps
7	327-4	4	Screw-HH	27	3256-24	4	Washer-Flat
8	3234-19	4	Screw-HHF	28	3253-4	4	Washer-Lock
9	130-8322	1	Decal-Warning, Ethanol	29	323-7	4	Screw-HH
10	136-4563	1	Engine-Honda, Gx270	30	322-4	4	Screw-HH
11	120-1213	1	Housing-Mount,Pump	31	136-4571	1	Harness-Wire
11:1	120-1846	1	Cover-Access	32	3290-379	2	Tie-Cable
12	137-0566	1	Coupler-Flex	33	120-4654	2	Screw-HHF
13	13-2840	1	Key-Square	36	137-0595-03	1	Guard-Muffler
14	104-7201	8	Nut-HF	37	119-7568	2	Screw-HSBH
15	120-3735	1	Light-Tail, LH	38	95-4256	1	Spring-Compression
16	120-3734	1	Light-Tail, RH	39	106-9888	1	Washer-Flat
17	125-8659-03	1	Holder-Plate, License	40	3256-14	2	Washer-Flat
18	115-5103	6	Screw-HHF				

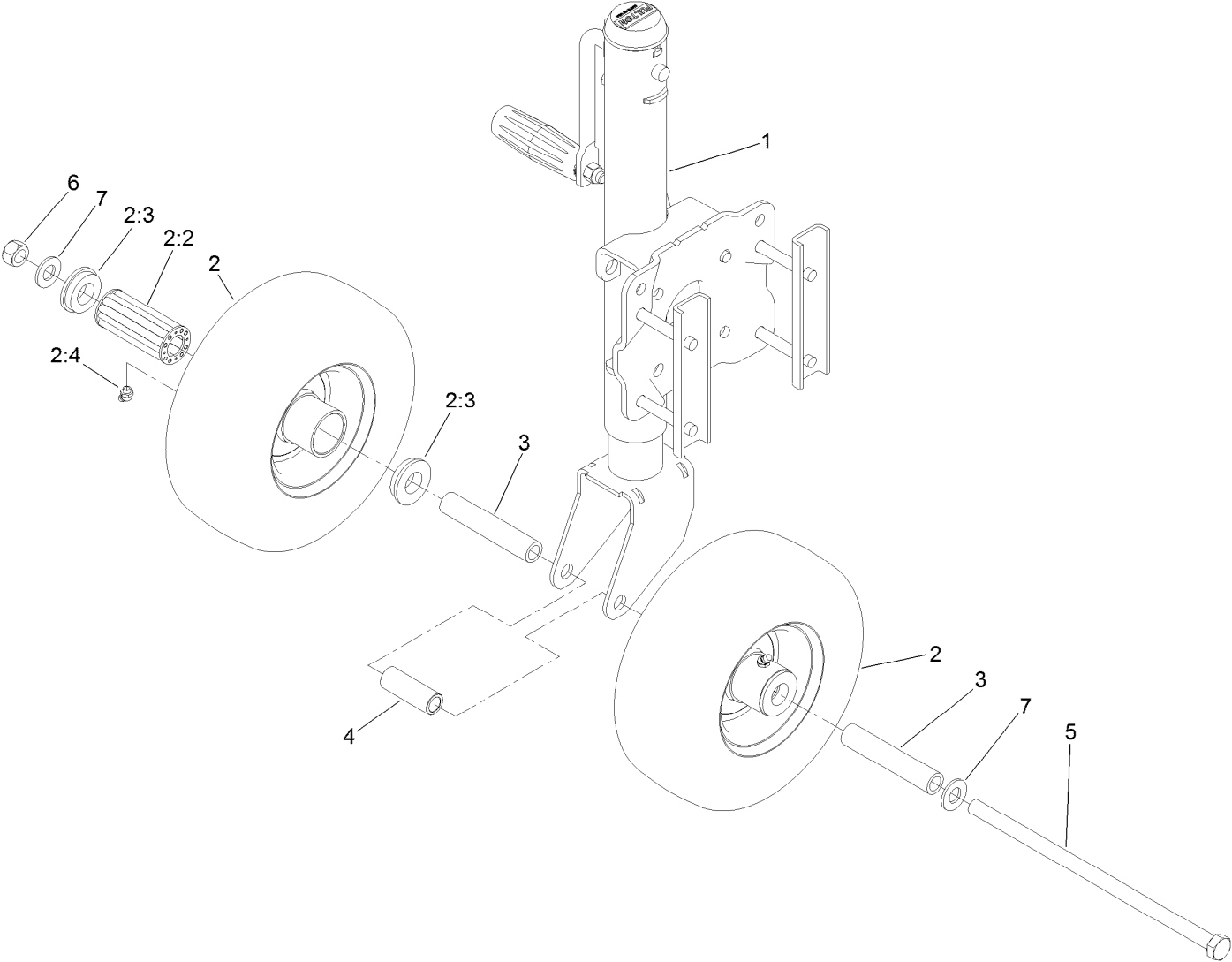
# Frame and Jack Assembly



## Frame and Jack Assembly (continued)

<i>Ref.</i>	<i>Part Number</i>	<i>Qty.</i>	<i>Description</i>	<i>Ref.</i>	<i>Part Number</i>	<i>Qty.</i>	<i>Description</i>
1	137-0634	1	Beam ASM	15:4	120-0625	1	Decal-Warning, Pinch Point
1:2	137-0552	2	Decal	16	117-8371	1	Receiver-Hitch, Ball
1:3	62-5550	2	Decal	17	120-1421	1	Jack ASM
1:4	137-0588	1	Decal-Warning, Pin	19	105-9245	1	Pin-Lock
2	120-1333	2	Grip-Handle	20	325-15	1	Screw-HH
3	136-4668-03	2	Plate-Catch	21	325-13	1	Screw-HH
4	323-7	4	Screw-HH	23	136-4588	1	Pin
5	120-1420	1	Pin-Pivot	24	2412-120	2	Clamp-R
6	120-1804-03	1	Bar-Slide, LH	25	104-7050	1	Tube-Manual
7	3290-256	2	Pin-Hair	26	104-7048	1	Cap-Housing
8	3234-40	12	Screw-HF	27	107-0386	3	Rivet-Blind
9	120-1809-03	1	Bar-Slide, RH	28	120-1796	1	Bolt-HH
10	99-5107	18	Nut-Lock	29	3296-51	1	Nut-Lock, NI
11	137-0636	1	Dislodger Bracket ASM	30	323-14	4	Screw-HH
11:2	137-0564	1	Decal-Caution, Dangerous Area	31	127-7562	2	Lamp-Marker, Front Side
11:3	137-0555	1	Decal-Warning, Pinch Point	31:1	32149-2	1	Nut-Keps
12	130-6482	4	Screw-HHF	32	137-0569-03	1	Wedge ASM
13	119-3045	2	Chain-Safety, Trailer	33	137-0571-03	1	Bracket-Valve
14	3247-4	1	Screw-Set	34	3234-42	2	Screw-HHF
15	137-0635	1	Tube ASM	35	104-8301	10	Nut-HF, NI
15:2	133-8056	1	Decal-Arrester, Spark	36	94-5781	3	Screw-HHF
15:3	137-0554	1	Decal-Caution	37	3296-42	3	Nut-Lock, NI

# Jack Assembly No. 120-1421



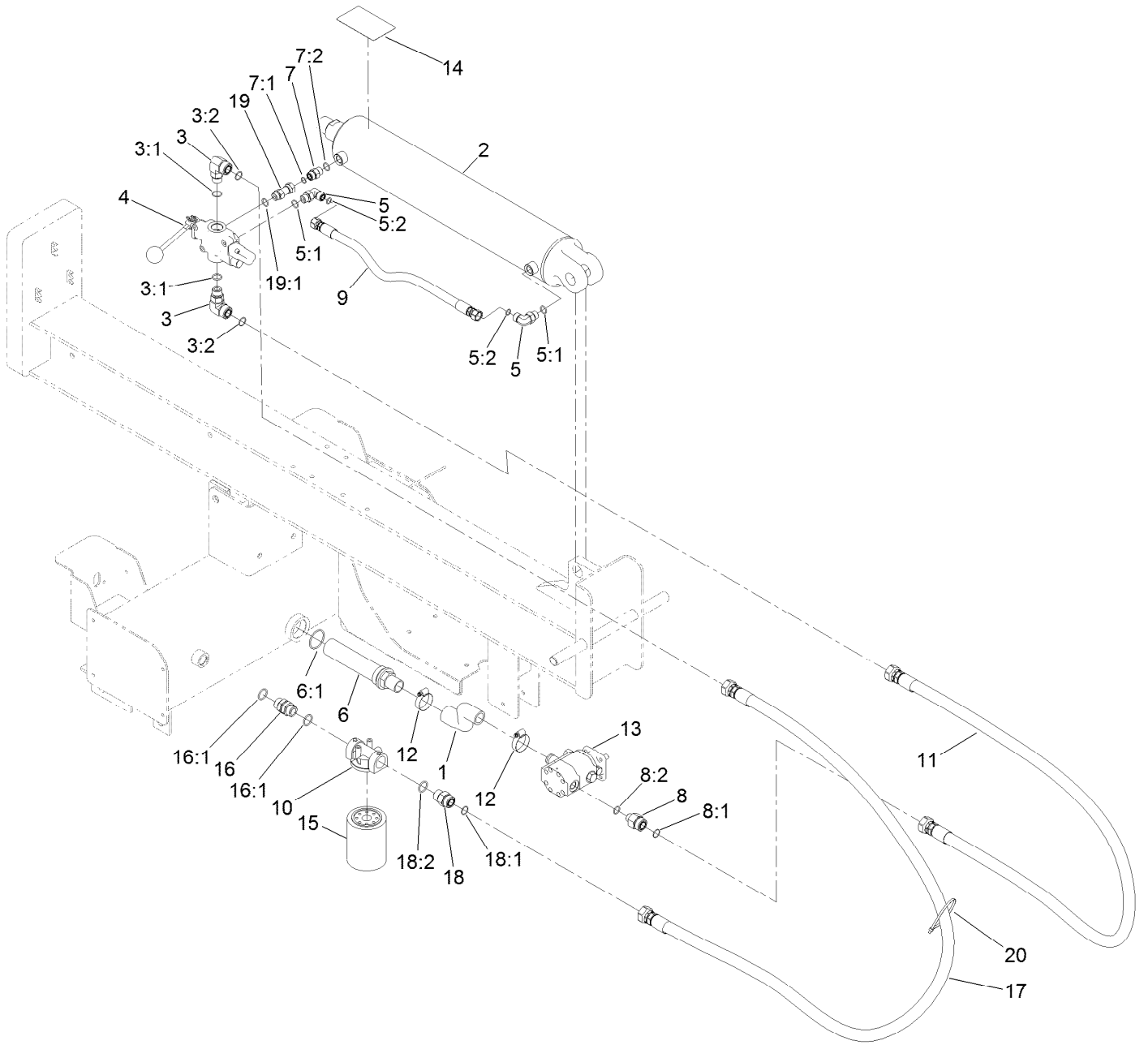


## Jack Assembly No. 120-1421 (continued)

<i>Ref.</i>	<i>Part Number</i>	<i>Qty.</i>	<i>Description</i>
1	120-1208	1	Jack-Trailer
2	110-5024	2	Wheel And Tire ASM
2:2	112-7066	1	Bearing-Roller
2:3	1-513810	2	Bushing
2:4	302-61	1	Fitting-Grease

<i>Ref.</i>	<i>Part Number</i>	<i>Qty.</i>	<i>Description</i>
3	100-6453	2	Bushing-Spanner
4	109-6653	1	Spacer
5	120-1827	1	Screw-HH
6	32153-5	1	Nut-Hex
7	3256-26	2	Washer-Flat

# Hydraulic System Assembly



## Hydraulic System Assembly (continued)

<i>Ref.</i>	<i>Part Number</i>	<i>Qty.</i>	<i>Description</i>	<i>Ref.</i>	<i>Part Number</i>	<i>Qty.</i>	<i>Description</i>
1	136-4675	1	Hose-Molded	9	132-4013	1	Hose-HYD
2	136-4562	1	Cylinder- HYD	10	92-5821	1	Head-Filter
3	340-16	2	Fitting-HYD, 90 DEG	11	137-4853	1	HYD Hose ASM
3:1	237-80	1	O-Ring	12	2412-111	2	Clamp
3:2	237-58	1	O-Ring	13	136-4569	1	Pump-HYD
4	136-4583	1	Valve-Control	14	137-0587	1	Decal- Caution, Control
5	340-98	2	Fitting-Elbow, 90 DEG	15	54-0110	1	Filter-Oil, Transmission
5:1	237-79	1	O-Ring	16	98-9906	1	Fitting-Thread, Straight
5:2	237-30	1	O-Ring	16:1	237-81	2	O-Ring
6	105-0131	1	Strainer-Tank, Oil	17	137-4854	1	HYD Hose ASM
6:1	340-136	1	O-Ring	18	340-9	1	Fitting-STR
7	340-4	1	Fitting-STR	18:1	237-58	1	O-Ring
7:1	237-30	1	O-Ring	18:2	237-81	1	O-Ring
7:2	237-79	1	O-Ring	19	100-7671	1	Adapter-HYD
8	98-9921	1	Fitting-Straight	19:1	237-79	1	O-Ring
8:1	237-145	1	O-Ring	20	3290-379	3	Tie-Cable
8:2	237-79	1	O-Ring				

# Attachments and Accessories

## For 22618HD Log Splitter

<b>Product Name</b>	<b>Model/Part</b>
Spark Arrester Kit .....	137-0592
Pump Service Kit .....	137-4850
Cylinder Service Kit .....	137-4852

**Notes:**

**Notes:**

**Notes:**



**Count on it.**