



Proline

**15 HP Kohler Mid-Size
Hydro Traction Unit**

Model No. 30187 – 990001 & Up

Parts Catalog

ORDERING REPLACEMENT PARTS

To order replacement parts, please supply: the part number, the quantity, and the description of each part desired.

Contents

Description	Page	Description	Page
Engine & Oil Cooler Assembly	1	Blower Housing And Baffles	12
Pivot & Linkage Assembly	2	Starter System	13
Handle Assembly	3	Fuel System	14
Control Panel Assembly	4	Engine Controls	15
Fuel Tank, Hydro Pump & PTO Assembly	5	Air Cleaner	16
Hydraulic & Drive System Assembly	6	Exhaust	17
Battery	7	Clutch Assembly No. 54-3200	18
Crankcase	8	Hydraulic Pump Assembly No. 95-1538	19
Oil Pan / Lubrication	9	Traction Drive Motor	20
Cylinder Head, Valves And Breather	10	Electric Schematic	21
Ignition / Electrical	11	Hydraulic Schematic	22

Part Description Abbreviations

Part descriptions in this catalog may include the following abbreviations.

Abbreviation	Meaning	Abbreviation	Meaning
AR	as required	HWHTF	hex washer head thread forming
ASM	assembly	INC	incorporated
CARR	carriage	LH	left hand
DEG	degrees	PH	pan head
FH	flat head	PPH	Phillips pan head
GA	gauge	PTO	power take off
HF	hex flange	RH	right hand
HFW	hex flange washer	SFH	slotted fillister head
HH	hex head	SH	square head
HHF	hex head flange	SHWH	slotted hex washer head
HHST	hex head self tapping	SPH	slotted pan head
HJ	hex jam	STD	standard
HOC	height-of-cut	TAP	self tapping
HS	hex socket	TH	truss head
HSBH	hex socket button head	TTH	Torx truss head
HSFH	hex socket flat head	WH	wing head
HSH	hex socket head		
HWH	hex washer head		

Important Format Explanations

This catalog uses special formats to convey information in illustrations and parts lists. Specifically, one format is used in conjunction with service assemblies and another with quantities associated with reference numbers.

Service Assemblies

Parts within service assemblies have reference numbers in the form $X:Y$. X is the reference number of the service assembly and Y is a sequential number unique to each part within the service assembly.

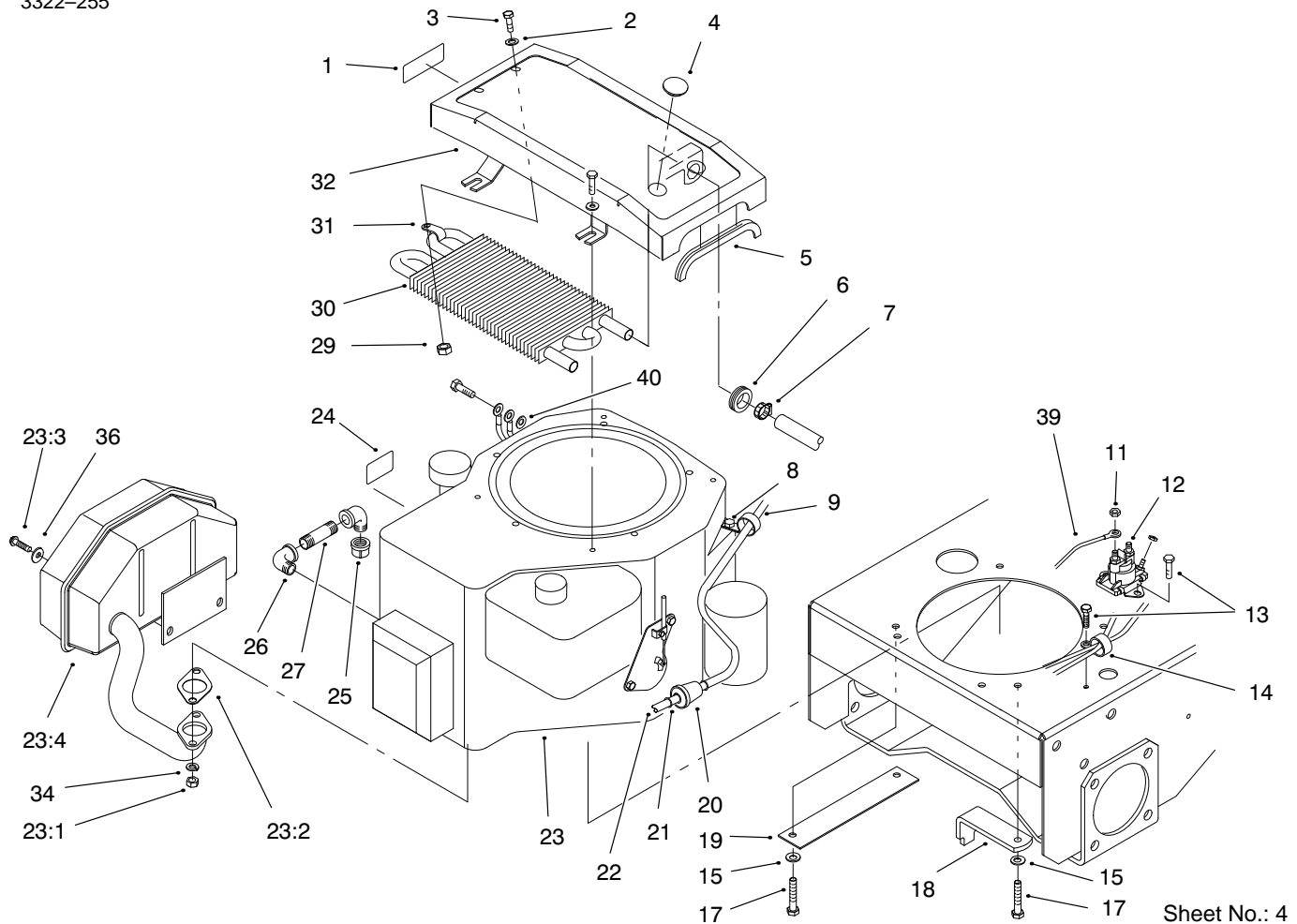
For example, a wheel assembly might be identified by reference number 6, the tire by 6:1, the valve by 6:2, and the wheel by 6:3. When you order the assembly identified by reference number 6, you receive all parts identified by reference numbers 6:1, 6:2, and 6:3. However, you may also order any part individually.

Reference numbers of this type appear in part lists and as callouts in illustrations.

Reference Numbers with Quantities

Illustrations may have a quantity in parentheses next to a reference number, in the form $X (Y)$. X is the reference number. Y in parentheses is the quantity of the part identified by the reference number.

For example, the illustration callout 4 (2) indicates that two parts are used in that instance.

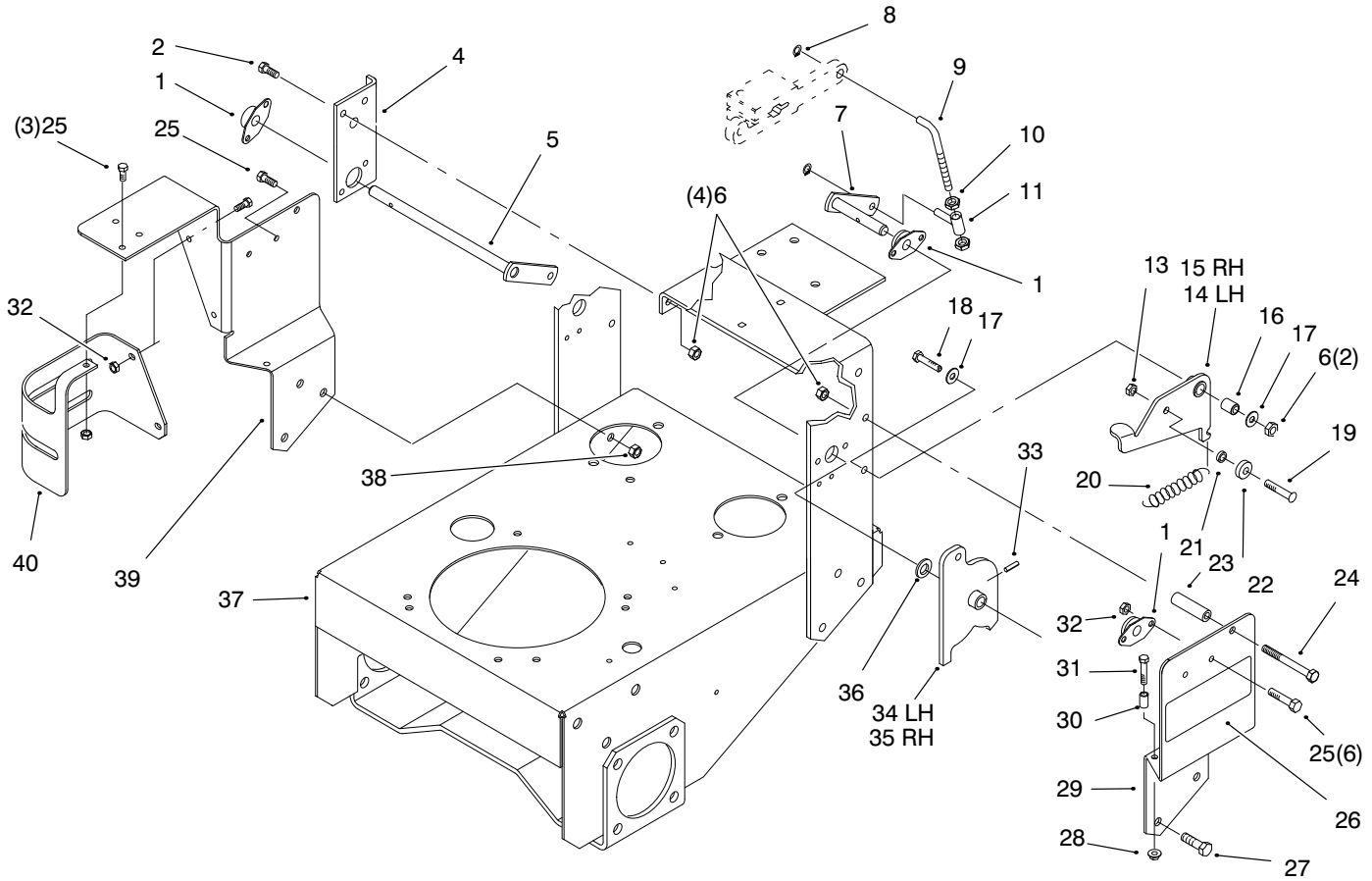


Sheet No.: 4

Engine & Oil Cooler Assembly

Ref. No.	Part No.	Qty.	Description
1	95-2814	1	Decal-Fuel Shut-Off
2	3256-1	6	Washer-Flat
3	321-39	6	Screw-HH
4	2410-71	2	Cap-Plug
5	29-0642	1	Jiffy-Trim
6	240-9	2	Grommet
7	2412-136	2	Clamp
8	32144-19	1	Screw-Self TAP
9	2412-106	1	R Clamp
11	32149-2	2	Nut-Hex Lock
12	92-9845	1	Solenoid
13	32144-4	3	Screw-TAP
14	2412-106	1	R Clamp
15	3256-23	4	Washer-Flat
17	57-6380	4	Screw-HH
18	51-4540-03	1	Retainer-Clutch
19	74-0930-01	1	Guard-Pulley
20	56-6360	1	Filter-Fuel
21	2412-98	2	Clamp-Hose
22	47-2964	1	Hose-Gas
23		1	Engine-15 Hp Kohler
23:1	93-7034	2	Nut
23:2	93-7032	1	Gasket
23:3	93-7033	2	Screw
23:4	95-5517	1	Muffler
24	63-8440	1	Decal-Hot Surface

Ref. No.	Part No.	Qty.	Description
25	288-4	1	Cap-Pipe
26	74-0950	2	Elbow
27	289-51	1	Nipple-Pipe
29	3296-42	2	Nut-Lock
30	82-4220	1	Cooler-Oil
31	2412-134	2	Clamp R
32	82-4500-03	1	Mount-Cooler
34	3253-4	2	Washer-Lock
36	3256-78	2	Washer
39	28-3891	1	Wire ASM
40	93-7034	2	Nut

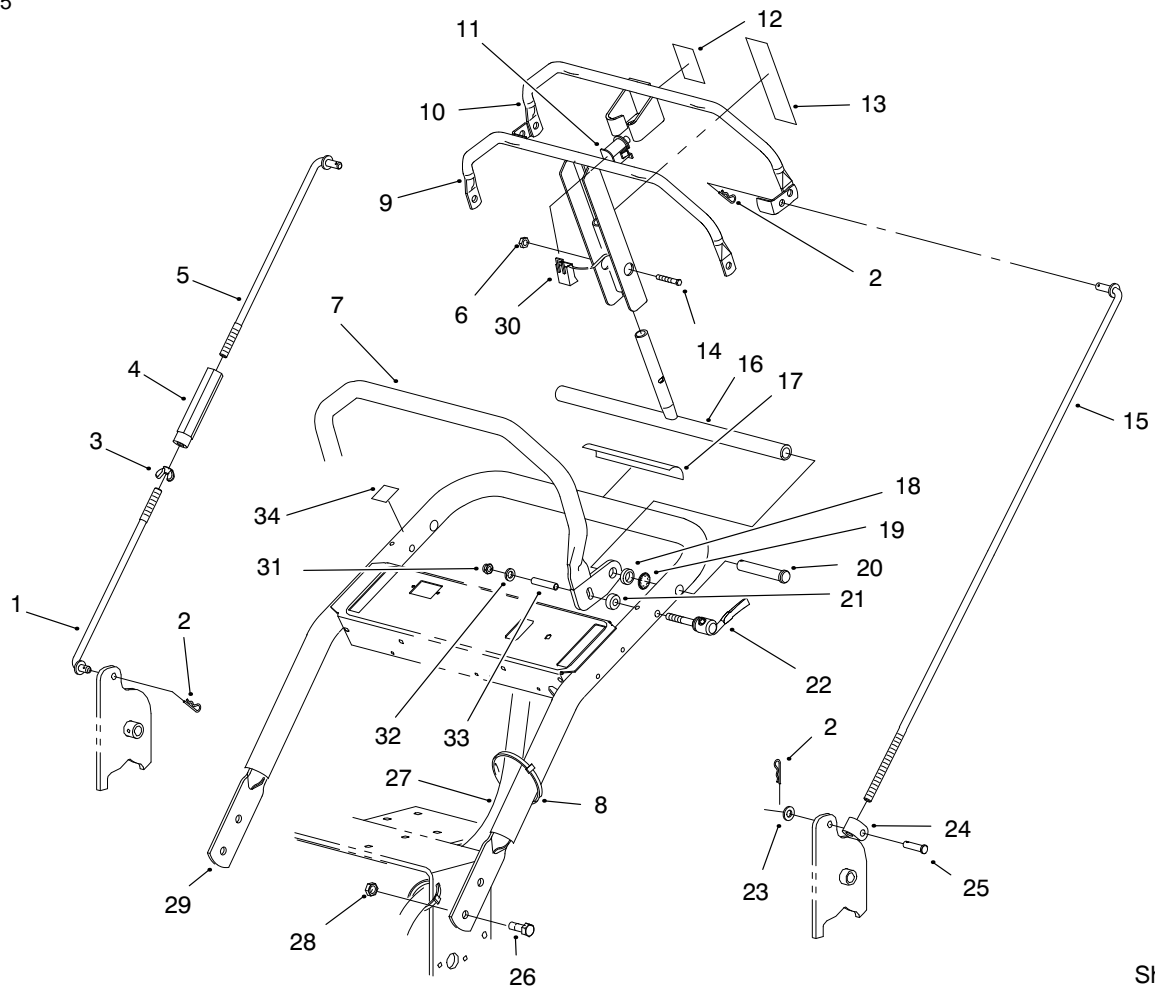


Sheet No.: 5

Pivot & Linkage Assembly

Ref. No.	Part No.	Qty.	Description
1	82-4130	4	Bearing
2	322-5	2	Screw-HH
4	82-4210-01	1	Bracket-Bushing
5	94-9059	1	Lever-Pivot RH
6	3296-29	6	Nut-Lock
7	94-9057	1	Lever-Pivot LH
8	32151-3	4	Ring-Retaining
9	94-9093	2	Rod-Link
10	3218-2	4	Nut-Hex Jam
11	94-9062	2	Sleeve
13	3296-47	2	Nut-Lock
14	82-4330-01	1	Arm-Detent LH
15	82-4340-01	1	Arm-Detent RH
16	82-4370	2	Bushing-Arm
17	3256-23	4	Washer-Flat
18	322-7	2	Screw-HH
19	3274-32	2	Screw-HH
20	82-4160	2	Spring-Detent
21	82-4240	2	Spacer-Bearing
22	251-259	2	Bearing-Ball
23	82-3920	2	Stop-Reverse
24	322-14	2	Screw-HH
25	321-3	11	Screw-HH
26	82-4600	2	Decal-Hydro
27	323-6	6	Screw-HH
28	32128-10	2	Nut-Lock HHF

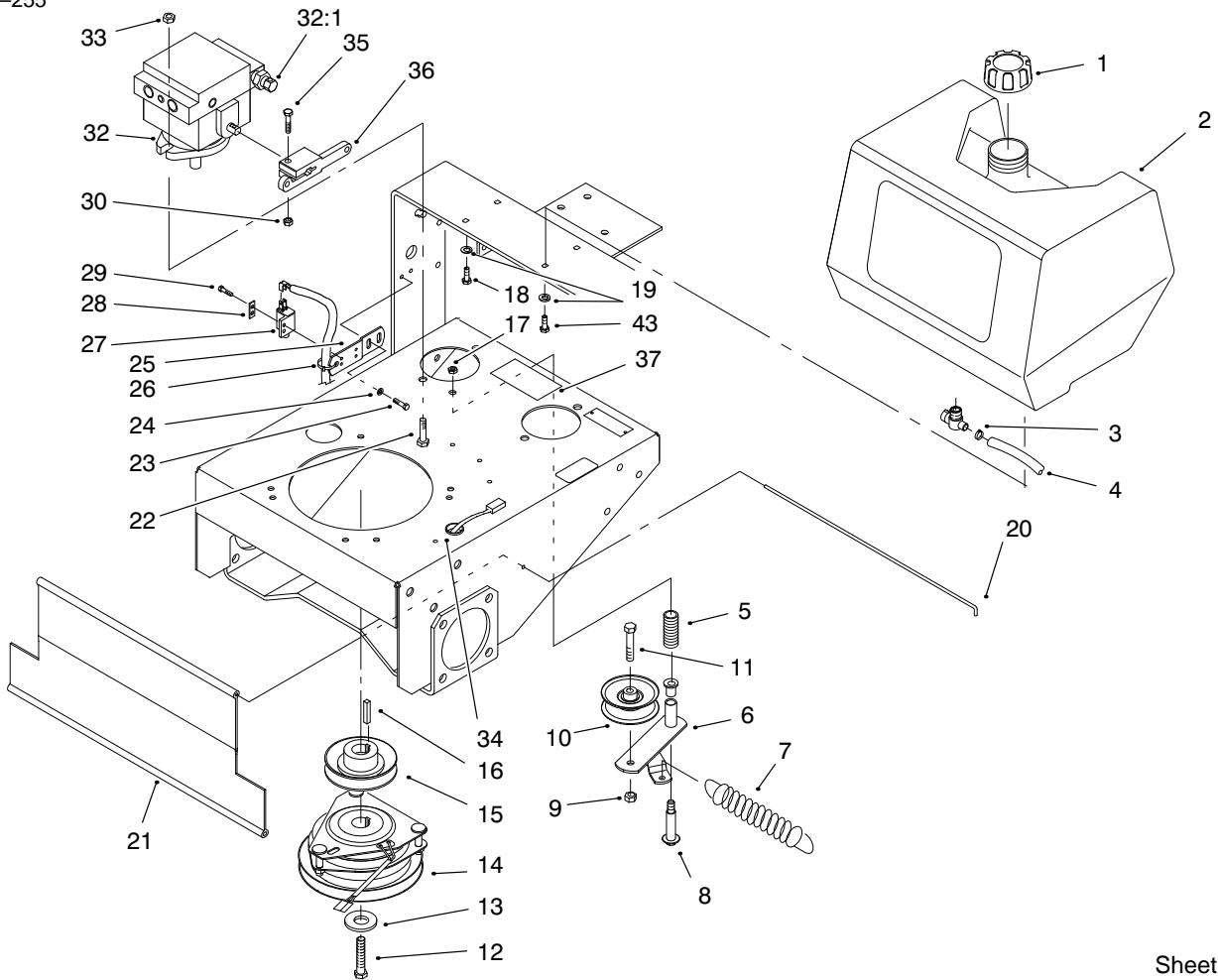
Ref. No.	Part No.	Qty.	Description
29	95-1530-01	1	Bracket-Pivot
30	95-1516	2	Spacer-Tubular
31	321-8	2	Screw-HH
32	3296-42	11	Nut-Lock
33	32121-4	2	Pin-Roll
34	94-9054-01	1	Arm-Pivot LH
35	94-9061-01	1	Arm-Pivot RH
36	257-5	2	Washer-Thrust
37	94-9096-01	1	Frame ASM
38	3296-39	6	Nut-Lock
39	95-1522-01	1	Bracket-Pivot
40	95-5868-01	1	Guard-Filter



Sheet No.: 6

Handle Assembly

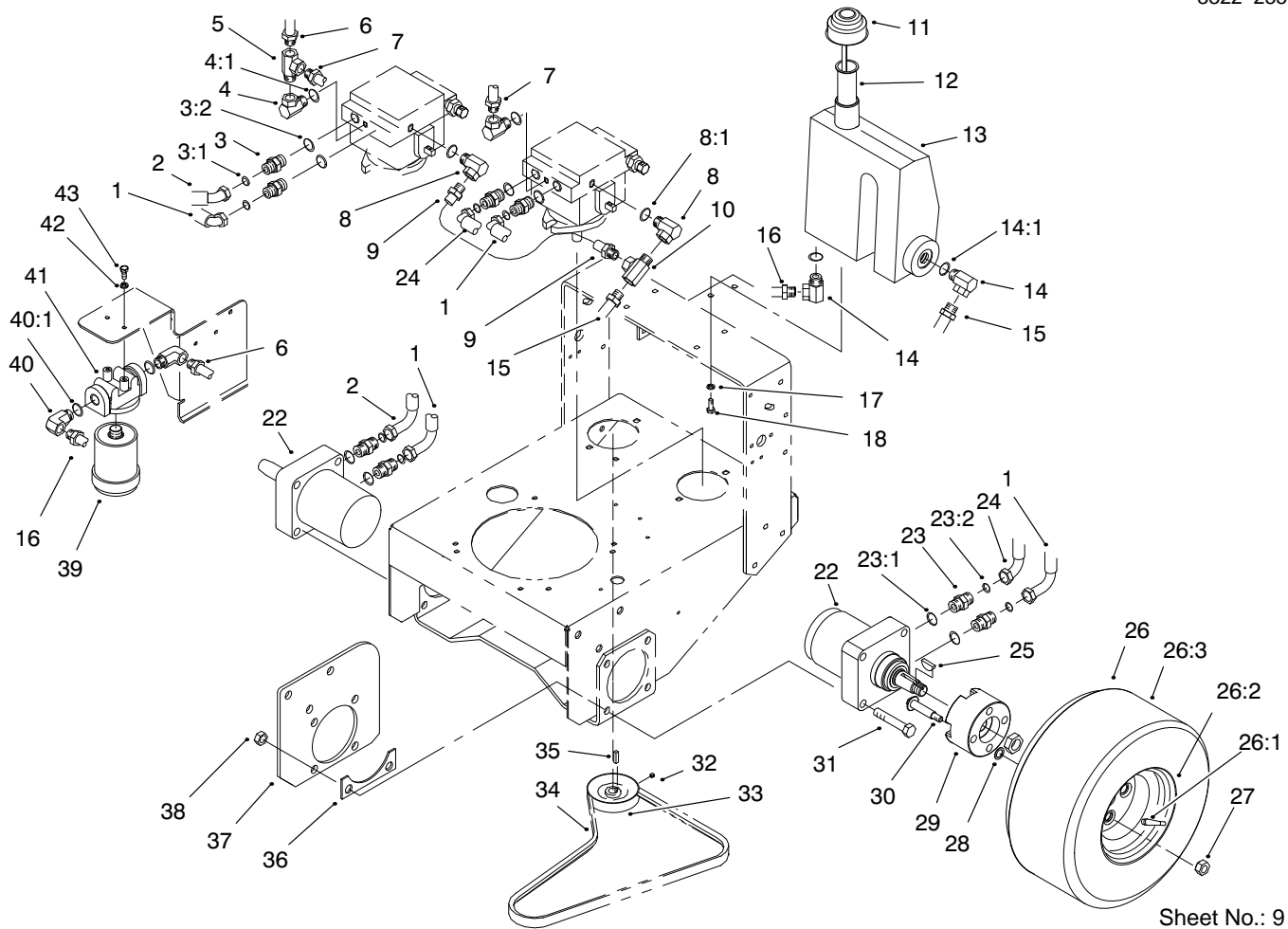
Ref. No.	Part No.	Qty.	Description	Ref. No.	Part No.	Qty.	Description
1	95-1506	1	Rod-Control	26	3234-11	4	Screw-HHF
2	3290-307	4	Pin-Cotter	27	95-2807	1	Harness-Wire
3	32103-3	1	Nut-Wing	28	32128-21	4	Nut-HHF
4	95-1504	1	Turnbuckle	29	95-5856-03	1	Handle-Upper
5	95-1505	1	Rod-Control	30	218-595	1	Connector-Body
6	32153-1	1	Nut Lock	31	33023-00	2	Nut-Lock Ni
7	95-1536	1	Handle	32	3290-436	2	Washer-Belleville
8	3290-378	3	Tie-Cable	33	95-5854	2	Sleeve
9	95-1507-03	1	Control Bar	34	95-5862	1	Decal-Speed Lock
10	95-1510-03	1	Bail				
11	82-2190	1	Switch-Bail				
12	95-1523	1	Decal-Traction Drive				
13	95-1524	1	Decal-T Bar				
14	32105-12	1	Screw-Hex				
15	94-9095	1	Rod-Control				
16	95-1513-03	1	Pivot				
17	82-4590	1	Decal-Slope Warning				
18	95-5855-03	2	Spacer-Pivot				
19	32151-80	2	Ring-Push On				
20	283-55	2	Pin-Clevis				
21	82-3840	2	Spacer-Latch				
22	95-5853	2	Lock ASM-Quick Release				
23	3256-23	1	Washer-Flat				
24	74-0521	1	Fitting-Rod				
25	283-6	1	Pin-Clevis				



Sheet No.: 8

Fuel Tank, Hydro Pump & PTO Assembly

Ref. No.	Part No.	Qty.	Description	Ref. No.	Part No.	Qty.	Description
1	55-3570	1	Cap-Fuel	27	65-7410	2	Switch-Single Pole
2	95-2802	1	Tank-Fuel	28	82-4570	2	Plate-Switch
3	2412-98	2	Clamp-Hose	29	32144-1	4	Screw-HH
4	47-2982	1	Hose-Fuel	30	3296-29	2	Nut-Lock
5	88-1880	1	Spring-Compression	32	95-1538	2	Hydraulic Pump ASM
6	86-4770-03	1	Lever-Idler	32:1	95-1539	2	Valve ASM
7	68-2190	1	Spring-Extension	33	32128-42	4	Nut-Hex Flange
8	27-6230	1	Bolt-Wheel	34	237-124	1	Grommet
9	3296-39	1	Nut-Lock	35	322-7	2	Screw-HH
10	62-4540-03	1	Pulley-Idler	36	82-3790	2	Arm-Control
11	323-9	1	Screw-HH	37	95-1543	1	Decal-Valve Adjust
12	3212-9	1	Screw-HH	43	322-4	2	Screw-HH
13	112843	1	Washer-PTO				
14	54-3200	1	Clutch ASM				
15	44-5940	1	Pulley-Drive				
16	608006	1	Key				
17	3296-6	1	Nut-Lock				
18	322-3	2	Screw-HH				
19	3253-4	4	Washer-Lock				
20	95-1529	1	Rod-Shield				
21	95-1526	1	Trailing Shield				
22	324-5	4	Screw-HH				
23	32144-4	4	Screw-HH				
24	3256-1	4	Washer-Flat				
25	82-4580-03	2	Bracket-Neutral				
26	3290-378	2	Tie-Cable				

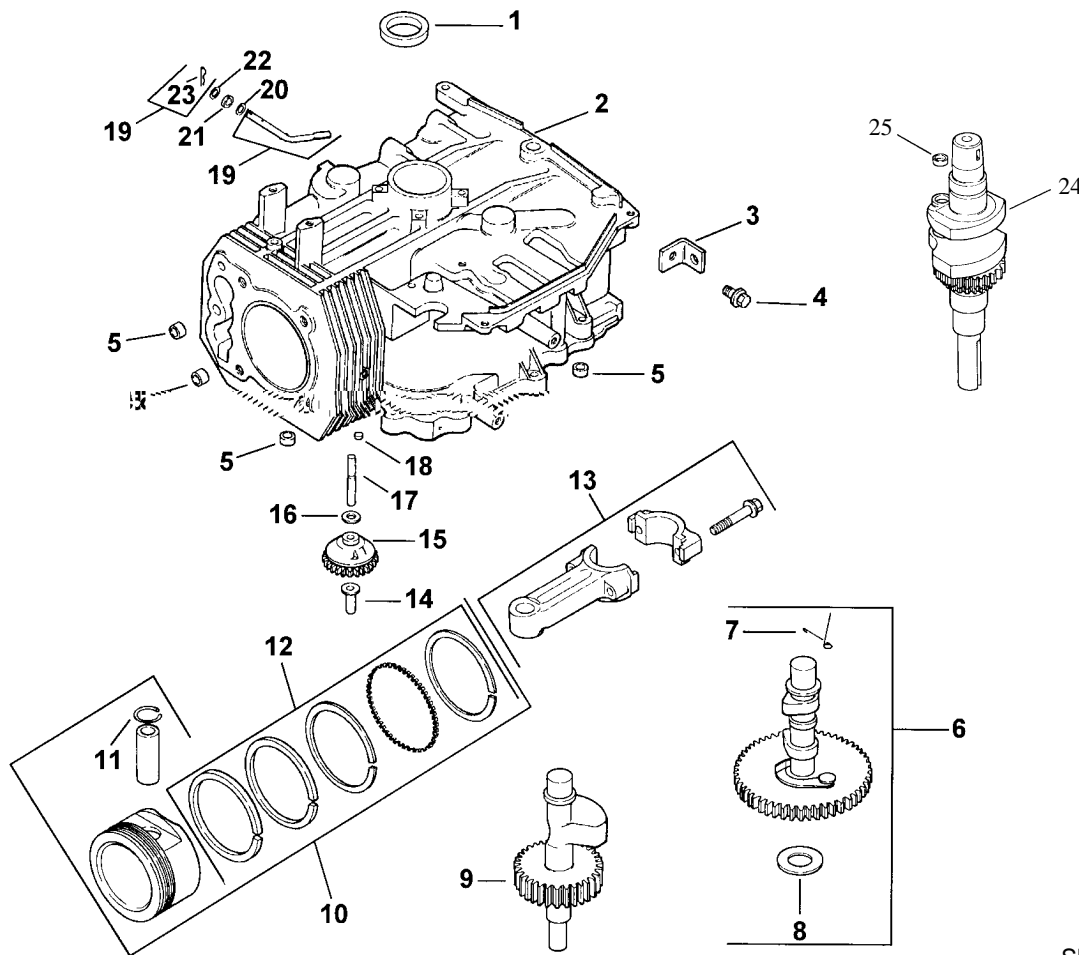


Sheet No.: 9

Hydraulic & Drive System Assembly

Ref. No.	Part No.	Qty.	Description
1	82-4550	2	ASM-Hose
2	82-4540	1	ASM-Hose
3	340-4	4	Fitting-Hydraulic
3:1	237-30	4	O-Ring
3:2	237-79	4	O-Ring
4	354-116	2	Fitting-Hydraulic
5	2815-16	1	Fitting-Hydraulic
6	95-5880	1	ASM-Hose
7	82-4170	1	ASM-Hose
8	354-115	2	Fitting-Hydraulic
8:1	237-42	A/R	O-Ring
9	82-4201	1	ASM-Hose
10	2815-15	1	Fitting-Hydraulic
11	76-0200	1	Oil Cap ASM
12	29-0590	1	Screen-Filler
13	95-1532	1	Reservoir-Oil
14	354-118	2	Fitting-Hydraulic
14:1			O-Ring
15	82-4192	2	ASM-Hose
16	82-4200	1	ASM-Hose
17	3253-4	3	Washer-Lock
18	322-3	3	Screw-HH
22	82-8230	2	Motor-Wheel
23	340-6	4	Fitting-Hydraulic
23:1	237-80	4	O-Ring
23:2	237-30	4	O-Ring

Ref. No.	Part No.	Qty.	Description
24	82-4560	1	ASM-Hose
25	3257-8	2	Key-Woodruff
26	94-9664	2	ASM-Wheel & Tire
26:1	232-27	2	Valve Stem & Cap Asm
26:2	242-87	2	Wheel
26:3	231-117	2	Tire
27	242-50	8	Nut-Lug
28	32112-17	8	Pushnut
29	82-3830	2	Hub-Wheel
30	3213-8	8	Screw-HH
31	325-11	8	Screw-HH
32	3241-5	4	Set Screw
33	95-1528	2	Pulley-Pump
34	82-4110	1	V Belt
35	80-6090	2	Key-Square
36	86-4740-01	2	Spacer-Frame
37	86-4730-01	2	Plate-Frame
38	3296-23	8	Nut-Lock
39	67-8110	2	Filter-Oil
40	354-117	2	Fitting-Hydraulic
40:1	237-79	2	O-Ring
41	86-9080	1	Head-Filter
42	3253-3	2	Washer-Lock
43	321-3	2	Screw-HH



Sheet No.: 2 01

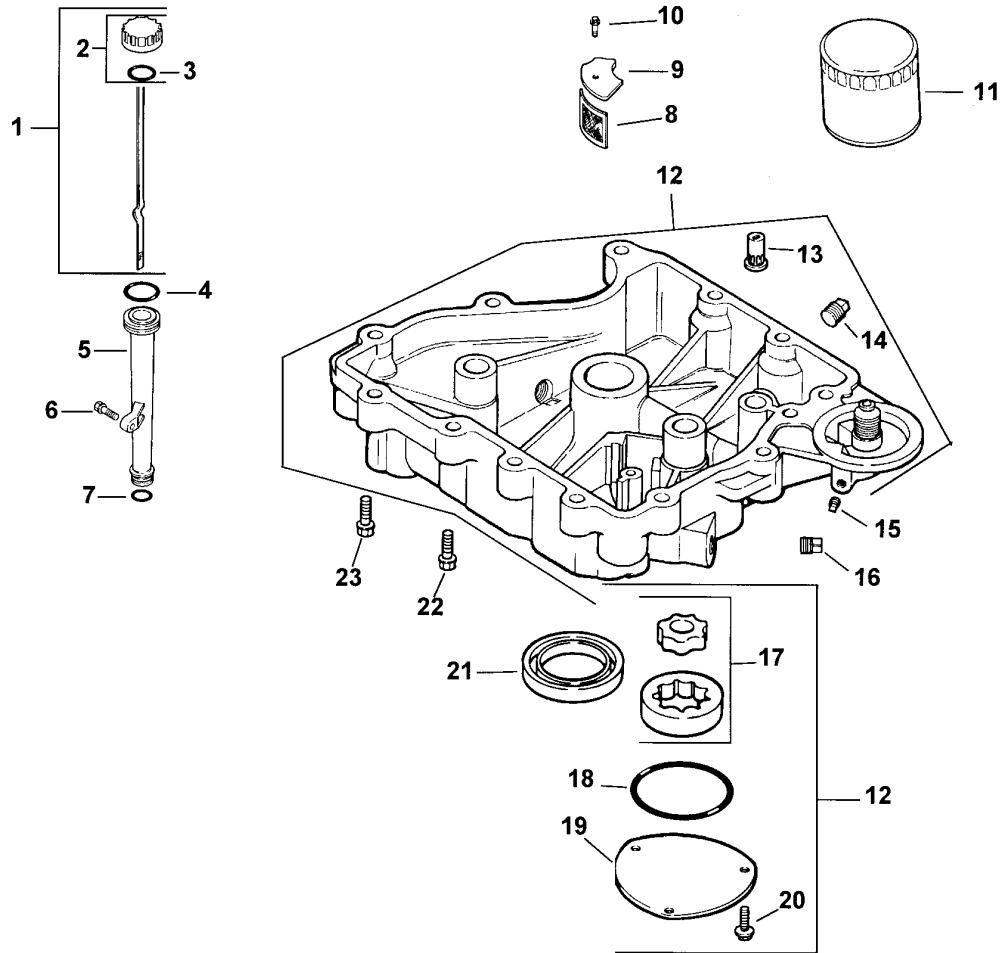
Crankcase

Ref. No.	Part No.	Qty.	Description
1	12 032 03	1	Seal-Crankshaft
2	12 522 18	1	Shortblock
3	12 445 02	1	Strap-Lifting
4	M-0839025	1	Screw M8x1.25x22
5	12 380 17	4	Dowel-Locating
6	12 755 49	1	Kit-Camshaft INC 7-8
7	12 089 31	1	Spring-Actuating
8	12 422 07	A/R	Shim-Camshaft A/R
8	12 422 08	1	Shim-Camshaft A/R
8	12 422 09	A/R	Shim-Camshaft A/R
8	12 422 10	A/R	Shim-Camshaft A/R
8	12 422 11	A/R	Shim-Camshaft A/R
8	12 422 12	A/R	Shim-Camshaft A/R
8	12 422 13	A/R	Shim-Camshaft A/R
9	12 144 27	1	Shaft-Balance
10	12 847 07	1	Set Piston w/Ring STD
10	12 847 08	1	Set-Piston w/Ring .25
10	12 847 09	1	Set-Piston w/Ring .50
11	12 018 02	2	Retainer-Piston Pin
12	12 108 07	1	Ring Set STD
12	12 108 08	1	Ring Set .25
12	12 108 09	1	Ring Set .50
13	12 067 05	1	Rod Connecting STD
13	12 067 06	1	Rod Connecting .25

Ref. No.	Part No.	Qty.	Description
14	12 380 01	1	Pin-Governor Regulating
15	12 043 05	1	Gear-Governor ASM
16	M-0631005	1	Washer-Governor
17	12 144 02	1	Shaft-Governor Gear
18	52 139 09	1	Plug-Cup
19	12 755 64	1	Kit - Shaft-Governor Cross (Incl. Ref.#23)
20	X-25-102	1	Washer-Flat
21	12 032 01	1	Seal-Governor Shaft
22	M-0631015	1	Washer-Governor Shaft
23	12 154 05	1	Clip - Hitch Pin
24	12 014 30	1	Crankshaft ASM
25	12 139 01	1	Plug-Cup
*	12 030 02	1	Bearing - Crankshaft 0.25
*	12 030 03	1	Bearing - Crankshaft 0.50
*	12 755 82	1	Set - Gasket

* Not Illustrated

ENGINE KOHLER MODEL NO. CV15T Spec 41560
Obtain Parts From Kohler



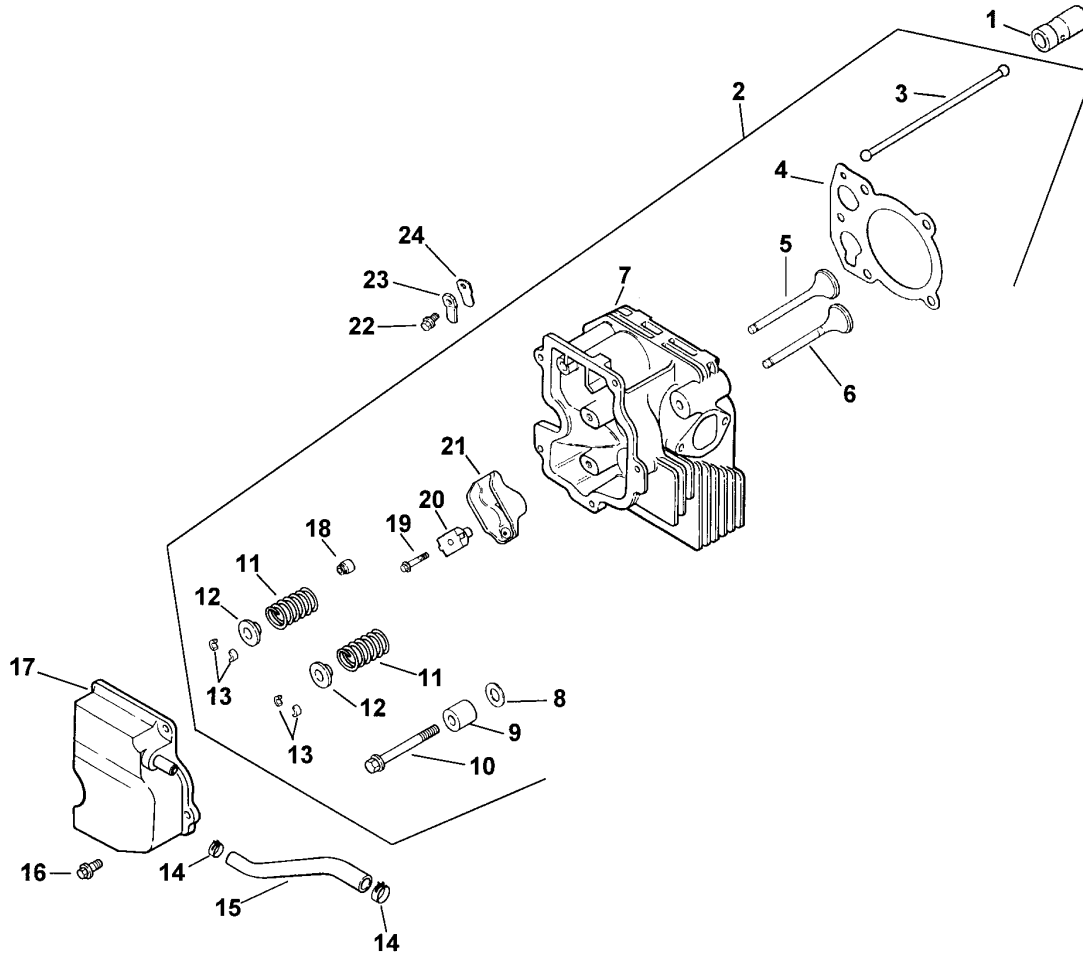
Sheet No.: 2 02

Oil Pan / Lubrication

Ref. No.	Part No.	Qty.	Description
1	12 038 01	1	Dipstick INC 2-3
2	25 755 13	1	Kit-Oil Cap INC 3
3	12 153 03	1	O Ring-Fill Cap
4	12 153 02	1	O Ring-Upper Fill Tube
5	12 123 04	1	Tube-Oil Fill
6	M-0545020	1	Screw M5x0.8x20
7	12 153 01	2	O Ring-Lower Fill Tube
8	25 162 07	1	Screen-Oil
9	12 096 03	1	Cover-Oil Pickup Screen
10	M-0545016	1	Screw M5x0.8x16
11	52 050 02	1	Filter-Oil
12	12 199 45	1	Pan - Oil (Incl. Ref. #13, 14, 17-20)
13	25 462 09	1	Valve - Oil Pressure
14	X-75-2	2	Plug-1/4nptf
15	X-75-1	2	Plug-1/8nptf
16	X-75-10	2	Plug-SH 3/8 NPTF
17	12 393 01	1	Pump-Oil
18	12 153 06	1	O Ring-Oil Pump Cover
19	12 096 34	1	Cover-Oil Pump
20	M-0545016	3	Screw M5x0.8x16
21	12 032 03	1	Seal-Crankshaft

Ref. No.	Part No.	Qty.	Description
22	24 086 16	11	Screw-M8X1.25X45
23	24 068 17	1	Screw-M5X1.25X45

* Not illustrated



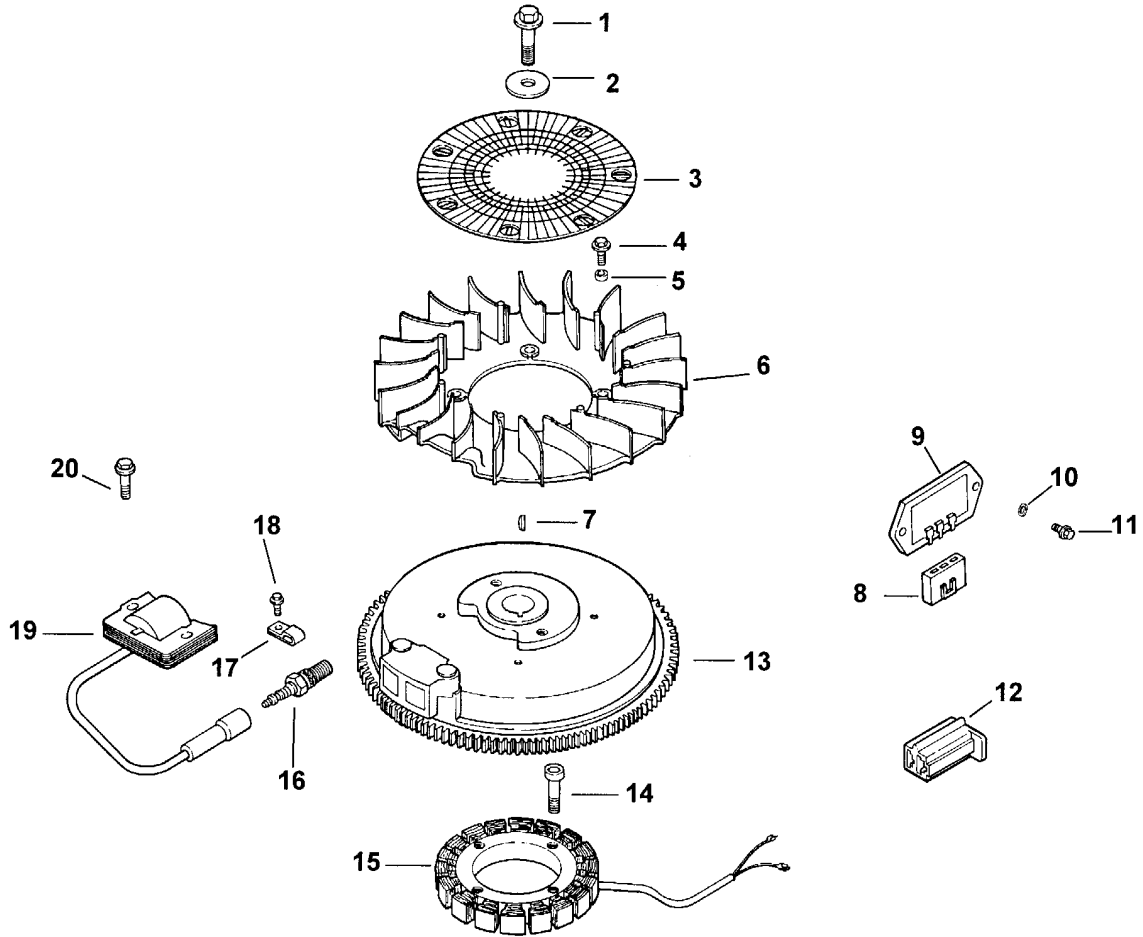
set No.: 2 03

Cylinder Head, Valves And Breather

Ref. No.	Part No.	Qty.	Description
1	12 351 02	2	Lifter-Valve
2	12 755 81	1	Kit-Cylinder Head
3	12 411 01	2	Rod-Push
4	12 041 10	1	Gasket-Cylinder Head
5	12 017 01	1	Valve-Intake STD
5	12 017 02	1	Valve-Intake .25
6	12 016 01	1	Valve-Exhaust STD
6	12 016 02	1	Valve-Exhaust .25
7	12 318 19	1	Head - Cylinder
8	12 468 05	1	Washer-Flat
9	12 112 13	1	Spacer-Head Bolt Exhaust
10	12 086 15	5	Screw M10x1.5x80
11	12 089 01	1	Spring-Valve
12	12 173 01	2	Cap-Valve Spring
13	12 755 03	2	Kit-Retainer
14	X-426-9	2	Clamp-Hose
15	12 326 03	1	Hose-Breather
16	M-0645020	3	Screw-HH M6x1.0x20
17	12 096 07	1	Cover-Valve w/Nipple
18	24 023 05	1	Seal-Valve Spring
19	M-0640034	2	Screw M6x1.0x34
20	12 599 03	2	Pivot - Rocker Arm
21	25 186 01	2	Arm-Rocker
22	M-0545010	1	Screw M5x0.8x10

Ref. No.	Part No.	Qty.	Description
23	12 018 01	1	Retainer-Breather Reed
24	12 402 02	1	Reed-Breather

ENGINE KOHLER MODEL NO. CV15T Spec 41560
Obtain Parts From Kohler



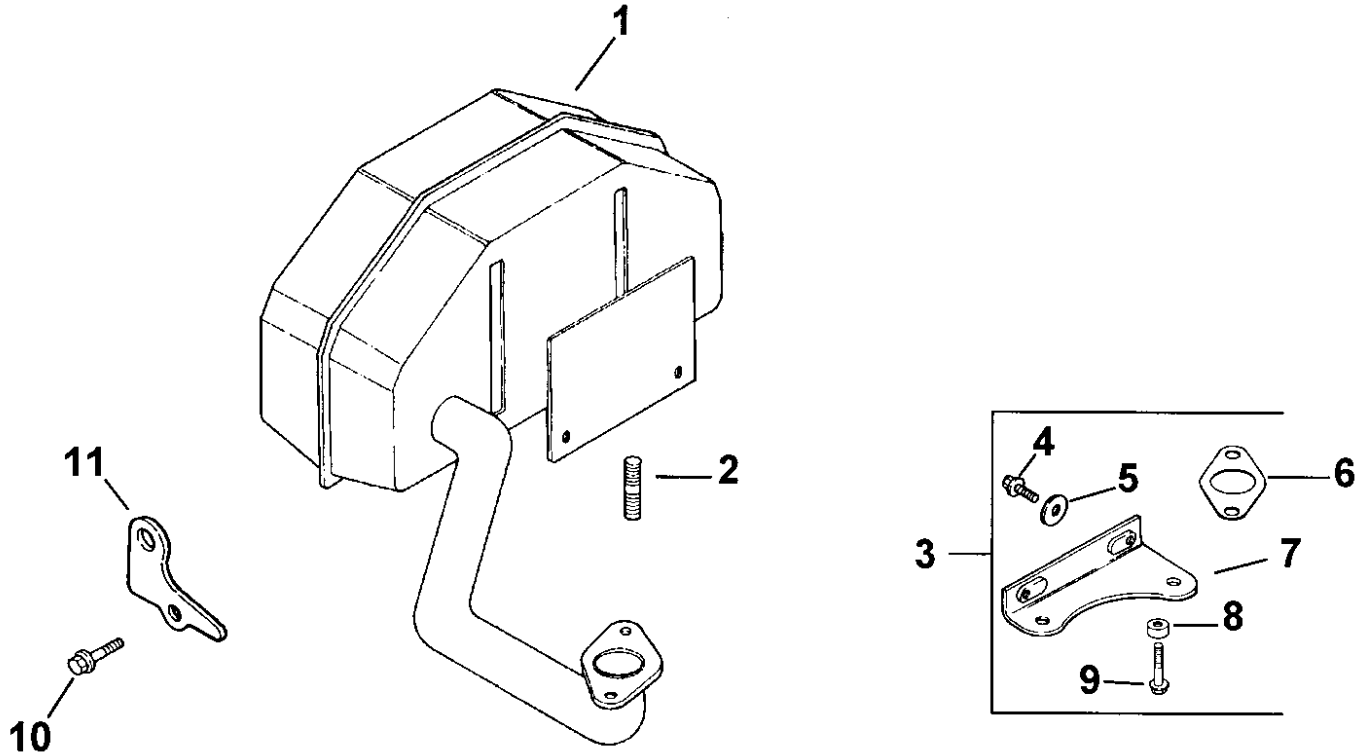
† No.: 2 04

Ignition / Electrical

Ref. No.	Part No.	Qty.	Description
1	12 086 14	1	Screw-Flywheel Mounting
2	12 486 03	1	Washer-Flat
3	12 162 03	1	Screen-Grass
4	M-0639016	4	Screw M6x1.0x16
5	12 112 01	4	Spacer-Fan
6	12 157 02	1	Fan
7	X-42-15	1	Key
8	236602	1	Connector-Regulator
9	12 403 01	1	Rectifier-Unregulated
10	X-22-11	2	Washer - Lock
11	M-0639016	2	Screw M6x1.0x16
12	41 155 03	1	Connector
13	12 025 33	1	Flywheel ASM
14	M-0548025	4	Screw M5x0.8x25
15	54 755 09	1	Kit - Stator-15 Amp (Incl.Bracket P/N #24 126 71)
16	12 132 02	1	Spark Plug
17	X-728-1	2	Clip-Kill Lead
18	M-0545010	1	Screw M5x0.8x10
19	12 584 02	1	Module-Ignition
20	M-0545020	2	Screw M5x0.8x20
*	X-25-5	1	Washer
	12 518 01	1	Lead-White
*	25 518 05	1	Lead-Black

Ref. No.	Part No.	Qty.	Description
*	25 518 29	1	Lead-Black
*	24 126 71	1	Bracket - Stator Wire

* Not illustrated



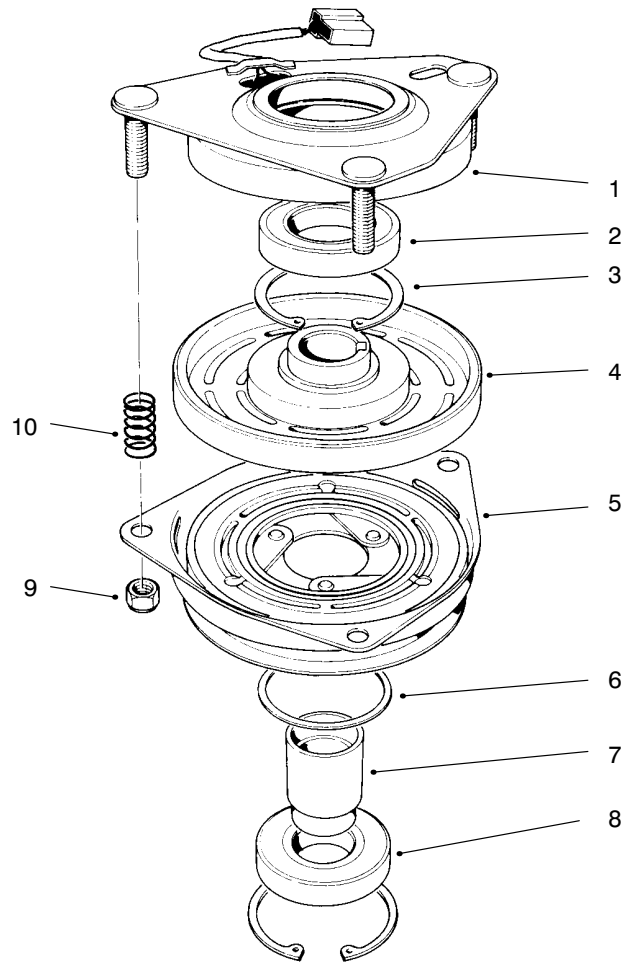
Sheet No.: 2 10

Exhaust

Ref. No.	Part No.	Qty.	Description
1	12 068 03	1	Muffler
2	M-0829033	2	Stud M8x1.25x20
3	12 755 30	1	Kit-Bracket (Incl. Ref.#4-9)
4	M-0650012	2	Screw
5	X-25-52	2	Washer
6	12 041 03	1	Gasket - Exhaust
7	12 126 55	1	Bracket-Muffler
8	12 468 01	1	Washer
9	12 086 13	1	Screw
10	M-0645025	1	Screw
11	12 445 06	1	Strap-Lifting

Ref. No.	Part No.	Qty.	Description

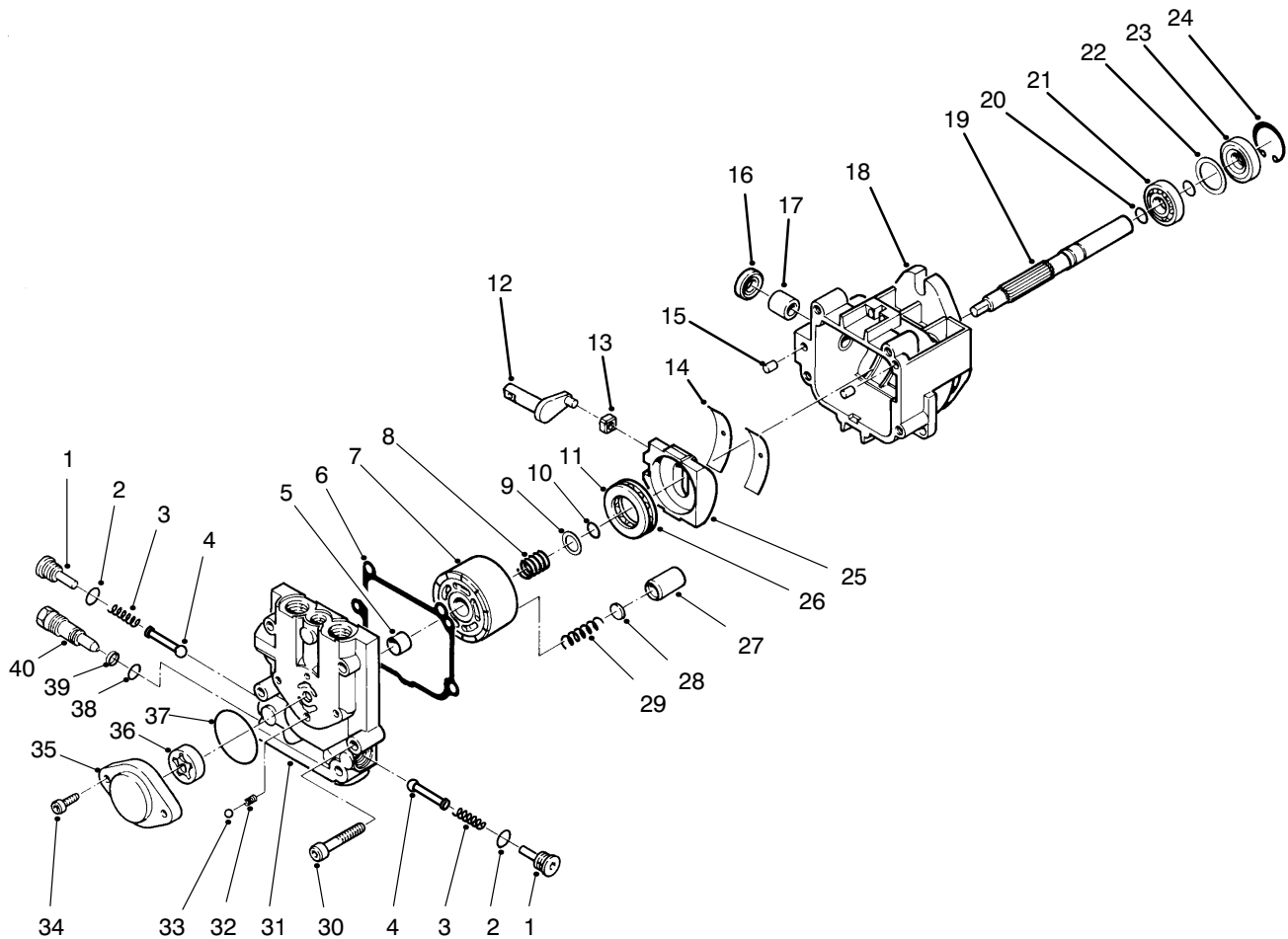
* Not illustrated



T-0080

CLUTCH ASSEMBLY NO. 54-3200

Ref. No.	Part No.	Description	No. Used	Ref. No.	Part No.	Description	No. Used
1	54-0230	Field Ass'y (Incl. Ref. #2 & 3)	1	6	44-8330	Spacer	1
2	251-292	Bearing - Field	1	7	44-8340	Collar - Bearing	1
3	44-8310	Ring - Retaining	2	8	251-291	Bearing - Pulley	1
4	44-8360	Field Coil, Rotor & Bearing Assembly (Incl. Ref. #1)	1	9	3296-5	Nut - Lock	3
5	55-7410	Armature & Pulley Assemble (Incl. Ref. #3,6,7, & 8)	1	10	44-8320	Spring	3

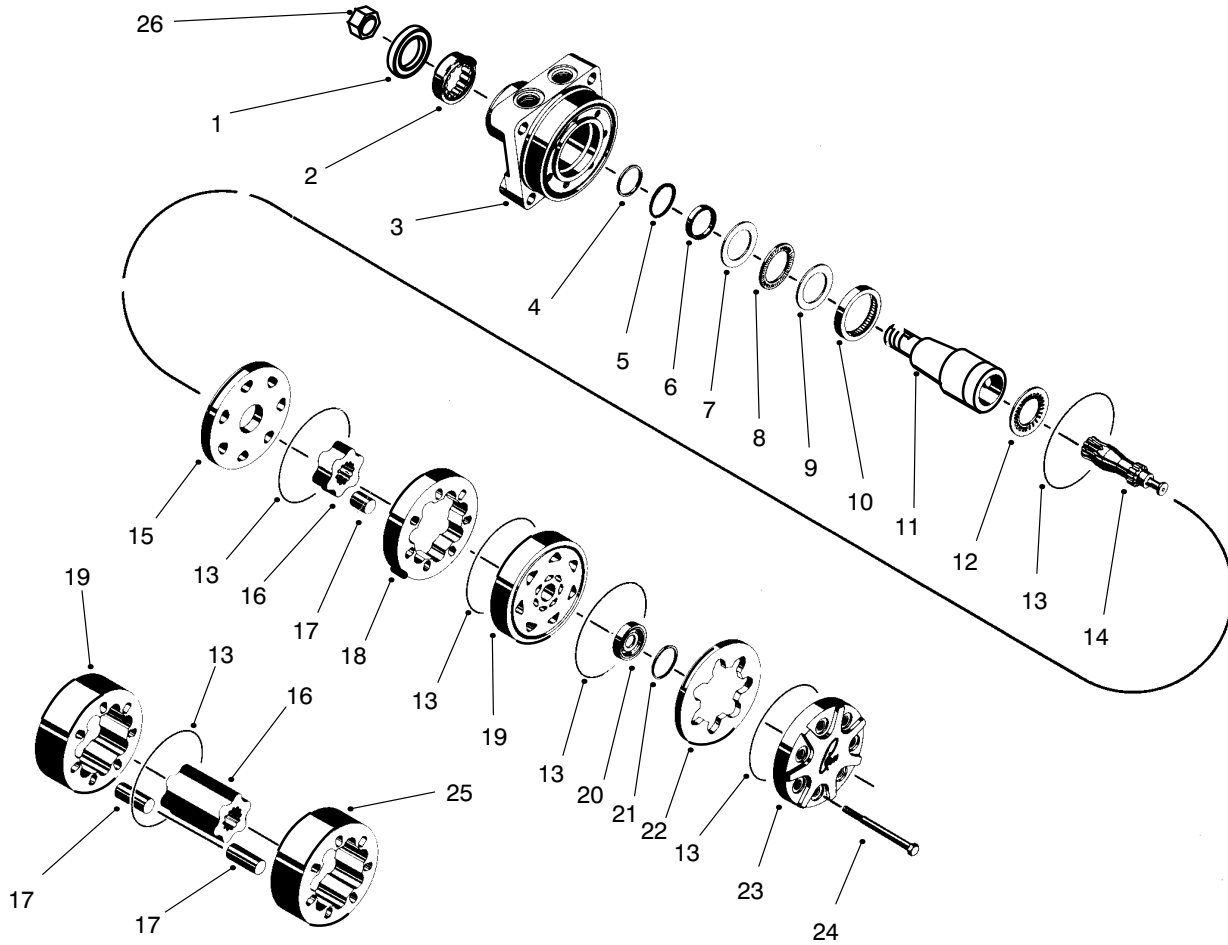


T-1236

Hydraulic Pump Assembly No. 95-1538

Ref. No.	Part No.	Description	No. Used	Ref. No.	Part No.	Description	No. Used
*	82-6120	Check Valve Kit (Incl. Ref. #2-4)	1	23		Seal - Lip	1
2		Seal - O-Ring	2	24		Ring - Retaining	1
3		Spring	2	25		Swashplate Assembly	1
4		Poppet	2	26		Roller - Thrust	1
5		Journal - Bearing	1	27		Piston	5
6		Gasket - End Cap	1	28		Washer - Thrust	5
7		Cylinder Block Kit (Incl. Ref. #8-10 & 27-29)	1	29		Spring - Piston	5
8		Spring	1	30		Screw	4
9		Washer	1	31		End Cap Assembly (Incl. Ref. #5)	1
10		Ring - Retaining	1	32		Ball	1
11		Plate - Thrust	1	33		Spring	1
12		Arm - Trunnion	1	34		Screw	2
13		Guide - Slot	1	35		Housing - Charge Pump	1
14		Cradle - Bearing	2	36		Gerotor Assembly	1
15		Pin	2	37		Seal - O-Ring	1
16		Seal - Lip	1	38		Seal - O-Ring	1
17		Journal - Bearing	1	39		Ring - Back-Up	1
18		Housing - Assembly (Incl. Ref. #16 & 17)	1	40		Valve - Bypass	1
19		Shaft	1	*	80-6110	Charge Relief Valve Kit (Incl. Ref. #32-33)	1
20		Ring - Retaining	2	*	80-6130	Overhaul Seal Kit (Incl. Ref. #6, 10, 16, 20, 23 & 37-39)	1
21		Bearing - Ball	1				
22		Spacer	1				

*Not Illustrated



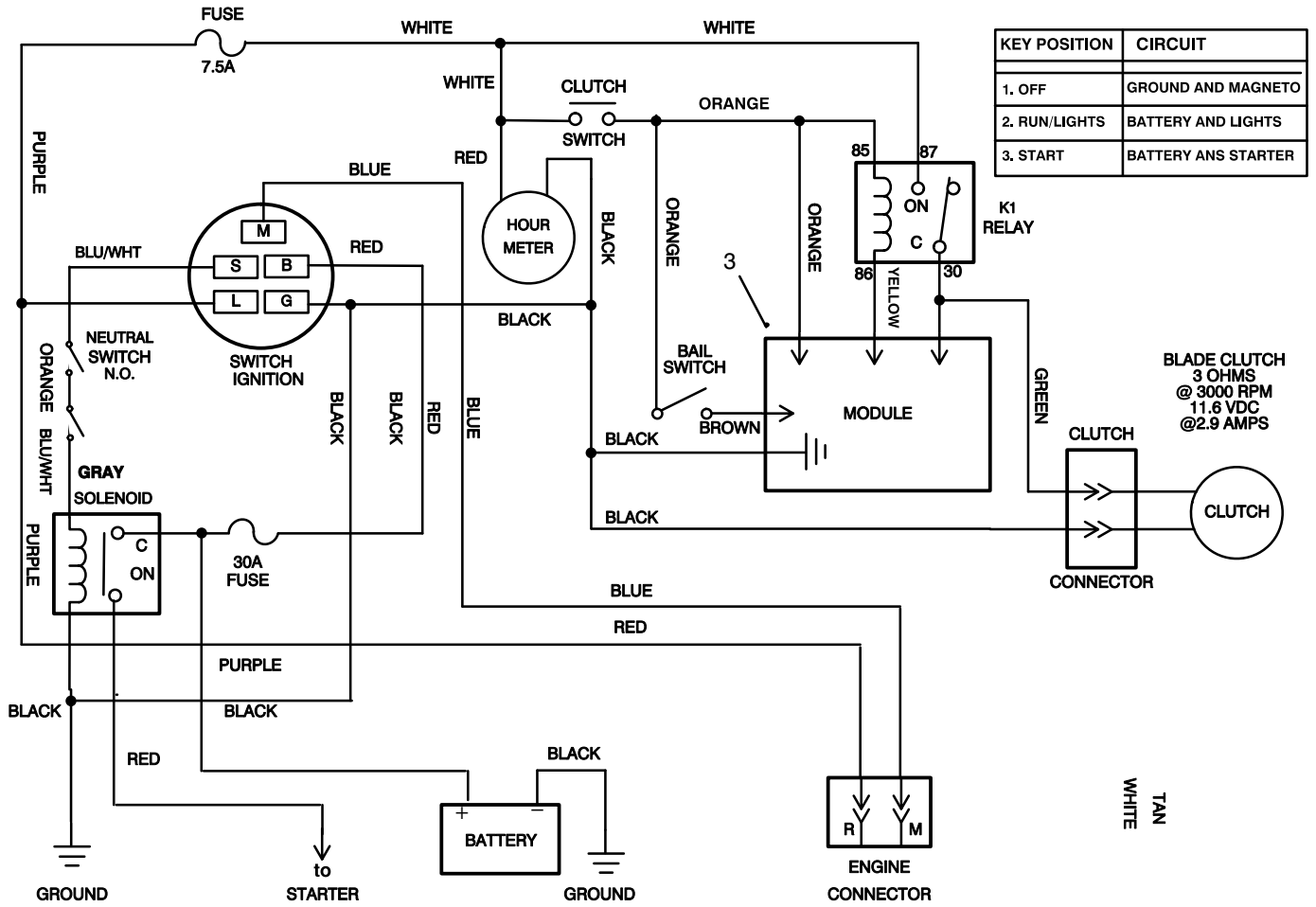
C-0737

Traction Drive Motor

Ref. No.	Part No.	Description	No. Used
1		Seal	1
2		Bearing	1
3		Housing	1
4		Washer - Back Up	1
5		Washer - Back Up	1
6		Seal	1
7		Washer - Thrust	1
8		Bearing - Thrust	1
9		Washer - Thrust	1
10		Bearing - Inner	1
11		Coupling - Shaft	1
12		Bearing - Thrust	1
13		"O"Ring	5
14		Link - Drive	1

Ref. No.	Part No.	Description	No. Used
15		Plate Wear	1
16		Rotor	1
17		Vane	7
18		Stator	
19		Manifold	1
20		Commutator	1
21		Seal - Commutator	1
22		Commutator - Ring	1
23		Cover - End	1
24		Bolt - Special	A/R
25		Stator Half	
26	85-7310	Nut	1
*	85-7320	Kit - Seal (Incl. Ref. #1,4,6,13 & 20)	1

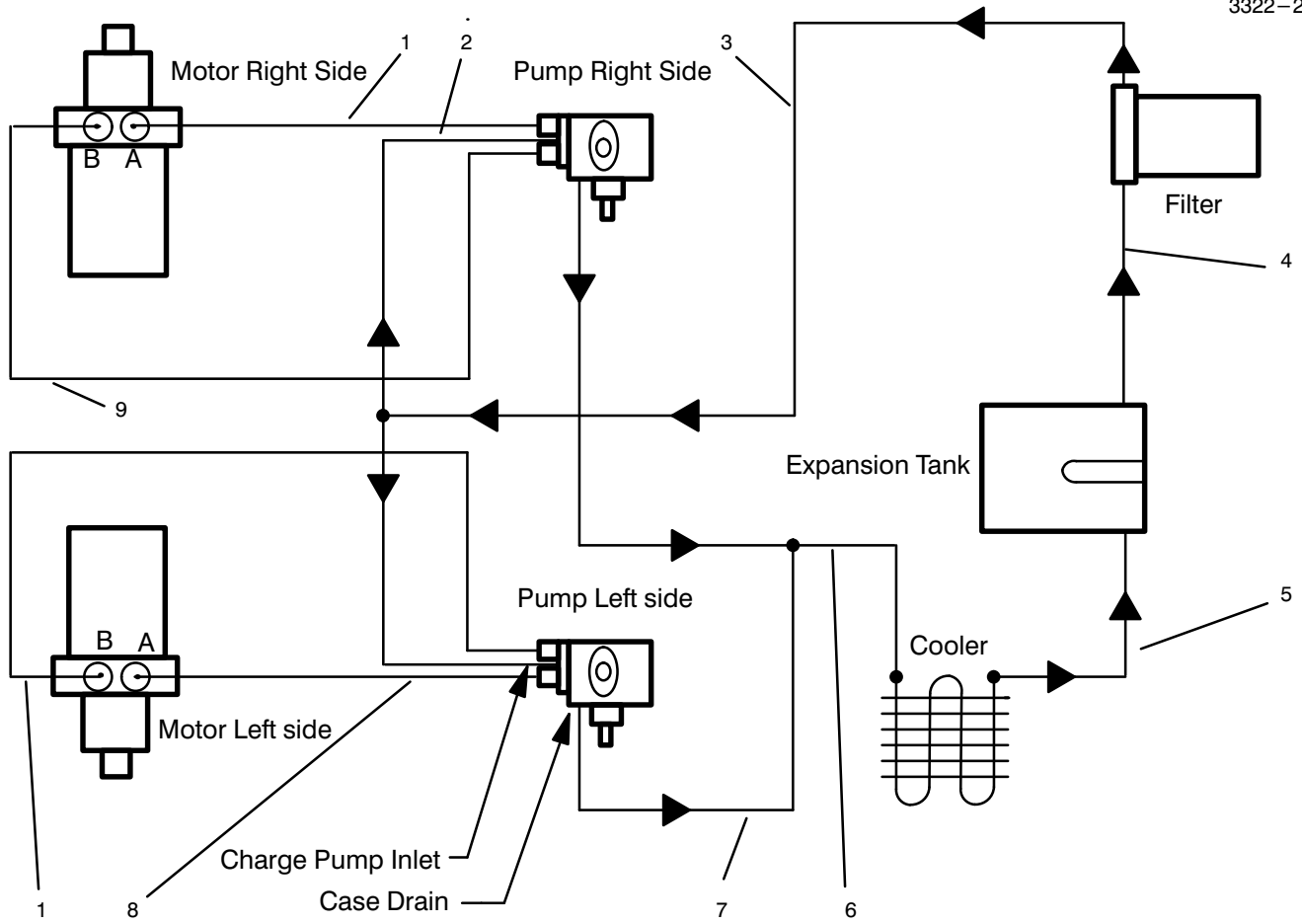
*Not Illustrated



Electric Schematic

Ref. No.	Part No.	Description	No. Used
1	95-2807	Wire Harness (Ref.)	1
2	63-7590	Relay (Ref.)	1

Ref. No.	Part No.	Description	No. Used
3	94-9666	Interlock Module (Ref.)	1



C-0708

Hydraulic Schematic

Ref. No.	Part No.	Description	No. Used
1	82-4550	Hose Assembly	2
2	82-4170	Hose Assembly	1
3	95-5880	Hose Assembly	1
4	82-4200	Hose Assembly	1
5	82-4193	Hose Assembly	1

Ref. No.	Part No.	Description	No. Used
6	82-4192	Hose Assembly	1
7	82-4201	Hose Assembly	1
8	82-4560	Hose Assembly	1
9	82-4540	Hose Assembly	1

TORO PART NUMBER INDEX

Part No.	Pg. No.	Ref. No.	Qty.	Description	Part No.	Pg. No.	Ref. No.	Qty.	Description
112843	5	13	1	Washer-PTO	86-4740-01	6	36	2	Spacer-Frame
608006	5	16	1	Key	86-4770-03	5	6	1	Lever-Idler
12-5950	7	6	2	Rod-Support	86-9080	6	41	1	Head-Filter
23-0660	4	18	1	Switch-Starter	88-1880	5	5	1	Spring-Compression
27-6230	5	8	1	Bolt-Wheel	92-2350-01	7	5	2	Holder-Battery
28-3891	1	39	1	Wire ASM	92-9845	1	12	1	Solenoid
29-0590	6	12	1	Screen-Filler	93-1187-03	4	16	1	Panel-Bottom
29-0642	1	5	1	Jiffy-Trim	93-1189	7	10	1	Wire-Red
44-5940	5	15	1	Pulley-Drive	93-7032	1	23:2	1	Gasket (Supplied w/Eng)
47-2964	1	22	1	Hose-Gas	93-7033	1	23:3	2	Screw
47-2982	5	4	1	Hose-Fuel	93-7034	1	23:1	2	Nut (Supplied w/Eng)
51-4210	7	7	2	Pad-Tank	94-9054-01	2	34	1	Arm-Pivot LH
51-4540-03	1	18	1	Retainer-Clutch	94-9057	2	7	1	Lever-Pivot LH
54-3094	7	3	1	Wire ASM	94-9059	2	5	1	Lever-Pivot RH
54-3200	5	14	1	Clutch ASM	94-9061-01	2	35	1	Arm-Pivot RH
55-3570	5	1	1	Cap-Fuel	94-9062	2	11	2	Sleeve
56-6360	1	20	1	Filter-Fuel	94-9093	2	9	2	Rod-Link
57-6380	1	17	4	Screw-HH	94-9095	3	15	1	Rod-Control
62-4540-03	5	10	1	Pulley-Idler	94-9096-01	2	37	1	Frame ASM
63-7590	4	10	1	Relay	94-9664	6	26	2	ASM-Wheel & Tire
63-8360	4	22	2	Key-Ignition	94-9666	4	17	1	Module
63-8440	1	24	1	Decal-Hot Surface	95-1504	3	4	1	Turnbuckle
65-7410	5	27	2	Switch-Single Pole	95-1505	3	5	1	Rod-Control
67-8110	6	39	2	Filter-Oil	95-1506	3	1	1	Rod-Control
68-2190	5	7	1	Spring-Extension	95-1507-03	3	9	1	Control Bar
68-3810	7	13	1	Tube-Vent	95-1510-03	3	10	1	Bail
74-0521	3	24	1	Fitting-Rod	95-1513-03	3	16	1	Pivot
74-0630	4	3	1	Control-Throttle	95-1516	2	30	2	Spacer-Tubular
74-0720	4	8	1	Tube-Manual	95-1522-01	2	39	1	Bracket-Pivot
74-0761	1	23	1	Engine-Kohler	95-1523	3	12	1	Decal-Traction Drive
74-0930-01	1	19	1	Guard-Pulley	95-1524	3	13	1	Decal-T Bar
74-0950	1	26	2	Elbow	95-1526	5	21	1	Trailing Shield
75-6820	4	24	1	Hour Meter	95-1528	6	33	2	Pulley-Pump
76-0200	6	11	1	ASM-Cap	95-1529	5	20	1	Rod-Shield
77-0980	7	12	1	Boot-Terminal	95-1530-01	2	29	1	Bracket-Pivot
77-0981	7	11	1	Boot-Terminal	95-1532	6	13	1	Reservoir-Oil
80-6090	6	35	2	Key-Square	95-1536	3	7	1	Handle
82-2181-03	4	23	1	Panel-Control	95-1538	5	32	2	Hydraulic Pump ASM
82-2190	3	11	1	Switch-Bail	95-1543	5	37	1	Decal-Valve Adjust
82-2300	4	1	1	Switch	95-1544	4	4	1	Decal-Warning
82-3790	5	36	2	Arm-Control	95-2802	5	2	1	Tank-Fuel
82-3820	4	2	1	Boot-Switch	95-2807	3	27	1	Harness-Wire
82-3830	6	29	2	Hub-Wheel	95-2814	1	1	1	Decal-Fuel Shut-Off
82-3840	3	21	2	Spacer-Latch	95-5517	1	23:4	1	Muffler (Supplied w/Eng)
82-3920	2	23	2	Stop-Reverse	95-5853	3	22	2	Lock ASM-Quick Release
82-4110	6	34	1	V Belt	95-5854	3	33	2	Sleeve
82-4130	2	1	4	Bearing	95-5855-03	3	18	2	Spacer-Pivot
82-4160	2	20	2	Spring-Detent	95-5856-03	3	29	1	Handle-Upper
82-4170	6	7	1	ASM-Hose	95-5859	4	5	1	Decal-Control Panel
82-4192	6	15	2	ASM-Hose	95-5862	3	34	1	Decal-Speed Lock
82-4200	6	16	1	ASM-Hose	95-5868-01	2	40	1	Guard-Filter
82-4201	6	9	1	ASM-Hose	95-5880	6	6	1	ASM-Hose
82-4210-01	2	4	1	Bracket-Bushing	218-461	4	21	1	Nut-HH
82-4220	1	30	1	Cooler-Oil	218-595	3	30	1	Connector-Body
82-4240	2	21	2	Spacer-Bearing	231-117	6	26:3	2	Tire
82-4330-01	2	14	1	Arm-Detent LH	232-27	6	26:1	2	Valve Stem & Cap ASM
82-4340-01	2	15	1	Arm-Detent RH	237-30	6	3:1	4	O-Ring
82-4370	2	16	2	Bushing-Arm	237-79	6	3:2	4	O-Ring
82-4500-03	1	32	1	Mount-Cooler	237-124	5	34	1	Grommet
82-4540	6	2	1	ASM-Hose	240-9	1	6	2	Grommet
82-4550	6	1	2	ASM-Hose	242-50	6	27	8	Nut-Lug
82-4560	6	24	1	ASM-Hose	242-87	6	26:2	2	Wheel
82-4570	5	28	2	Plate-Switch	2410-71	1	4	2	Cap-Plug
82-4580-03	5	25	2	Bracket-Neutral	2412-98	1	21	2	Clamp-Hose
82-4590	3	17	1	Decal-Slope Warning	2412-98	5	3	2	Clamp-Hose
82-4600	2	26	2	Decal-Hydro	2412-106	1	9	1	R Clamp
82-4620-01	7	2	1	Strap-Battery	2412-106	1	14	1	R Clamp
82-4640	7	8	1	Battery-12 Volt	2412-120	4	9	2	Clamp-R
82-7721	4	5	A/R	Decal-Panel	2412-134	1	31	2	Clamp R
82-8230	6	22	2	Motor-Wheel	2412-136	1	7	2	Clamp
84-1830	7	14	1	Cap-Battery	251-259	2	22	2	Bearing-Ball
86-4730-01	6	37	2	Plate-Frame	257-5	2	36	2	Washer-Thrust

*Not Illustrated

TORO PART NUMBER INDEX (Cont.)

3322-255

Part No.	Pg. No.	Ref. No.	Qty.	Description	Part No.	Pg. No.	Ref. No.	Qty.	Description
283-6	3	25	1	Pin-Clevis	3290-378	2	3	1	Tie-Cable
283-55	3	20	2	Pin-Clevis	3290-378	3	8	3	Tie-Cable
288-4	1	25	1	Cap-Pipe	3290-378	5	26	2	Tie-Cable
289-51	1	27	1	Nipple-Pipe	3290-392	4	15	A/R	Screw-HH
2815-15	6	10	1	Fitting-Hydraulic	3290-436	3	32	2	Washer-Belleville
2815-16	6	5	1	Fitting-Hydraulic	3296-2	4	6	4	Nut Lock
321-3	2	25	11	Screw-HH	3296-6	5	17	1	Nut-Lock
321-3	4	14	1	Screw-HH	3296-23	6	38	8	Nut-Lock
321-3	6	43	2	Screw-HH	3296-29	2	6	6	Nut-Lock
321-8	2	31	2	Screw-HH	3296-29	5	30	2	Nut-Lock
321-39	1	3	6	Screw-HH	3296-39	2	38	6	Nut-Lock
322-3	5	18	2	Screw-HH	3296-39	5	9	1	Nut-Lock
322-3	6	18	3	Screw-HH	3296-39	7	16	2	Nut-Lock
322-3	7	9	2	Screw-HH	3296-42	1	29	2	Nut-Lock
322-4	5	43	2	Screw-HH	3296-42	2	32	11	Nut-Lock
322-5	2	2	2	Screw-HH	3296-42	4	12	1	Nut-Lock
322-7	2	18	2	Screw-HH	3296-42	7	1	2	Nut-Lock
322-7	5	35	2	Screw-HH	3296-47	2	13	2	Nut-Lock
322-14	2	24	2	Screw-HH	3296-54	4	11	A/R	Nut
323-6	2	27	6	Screw-HH	32103-3	3	3	1	Nut-Wing
323-9	5	11	1	Screw-HH	32104-76	4	20	4	Screw-Self TAP
323-9	7	15	2	Screw-HH	32105-12	3	14	1	Screw-Hex
324-5	5	22	4	Screw-HH	32105-14	4	7	4	Screw-HH
325-11	6	31	8	Screw-HH	32112-17	6	28	8	Pushnut
3212-9	5	12	1	Screw-HH	32121-4	2	33	2	Pin-Roll
3213-8	6	30	8	Screw-HH	32128-10	2	28	2	Nut-Lock HHF
3218-2	2	10	4	Nut-Hex Jam	32128-21	3	28	4	Nut-HHF
3234-11	3	26	4	Screw-HHF	32128-23	7	17	6	Nut-Lock
3234-32	7	18	6	Screw-HH	32128-42	5	33	4	Nut-Hex Flange
3241-5	6	32	4	Set Screw	32144-1	5	29	4	Screw-HH
3253-3	6	42	2	Washer-Lock	32144-4	5	23	4	Screw-HH
3253-4	1	34	2	Washer-Lock	32144-4	1	13	3	Screw-TAP
3253-4	5	19	4	Washer-Lock	32144-18	4	25	2	Screw-HWH
3253-4	6	17	3	Washer-Lock	32144-19	1	8	1	Screw-HH
3254-5	4	19	1	Washer-Lock	32149-1	7	4	2	Nut-Keps
3255-7	4	13	A/R	Washer-Lock	32149-2	1	11	2	Nut-Hex Lock
3255-8	1	40	1	Washer-Lock	32151-3	2	8	4	Ring-Retaining
3256-1	1	2	6	Washer-Flat	32151-80	3	19	2	Ring-Push On
3256-1	5	24	4	Washer-Flat	32153-1	3	6	1	Nut Lock
3256-23	1	15	4	Washer-Flat	33023-00	3	31	2	Nut-Lock Ni
3256-23	2	17	4	Washer-Flat	340-4	6	3	4	Ftg-Hyd
3256-23	3	23	1	Washer-Flat	340-6	6	23	4	Fitting-Ors
3256-78	1	36	2	Washer-Plain	354-115	6	8	2	Ftg-Hyd
3257-8	6	25	2	Key-Woodruff	354-116	6	4	2	Fitting-Hydraulic
3269-8	5	38	2	Rivet	354-117	6	40	2	Fitting-Hydraulic
3274-32	2	19	2	Screw-HH	354-118	6	14	2	Fitting-Hydraulic
3290-307	3	2	4	Pin-Cotter					

*Not Illustrated

