



**Count on it.**

**Parts Catalog**

**CM-958H-SED**

**Concrete Mixer**

Model No. 68007—Serial No. 402000000 and Up



# Ordering Replacement Parts

To order replacement parts, please supply the part number, the quantity, and the description of each part desired.

## Understanding Reference Numbers

Each identified part in an illustration has a reference number. The reference number for a part also appears in the parts list, along with other information about the part.

This catalog uses two special reference number formats, one to indicate parts in a service assembly and another to indicate the quantity of a given part in an illustration.

## Service Assembly Reference Numbers

Parts in service assemblies have reference numbers in the form a:b. The a represents the reference number of the entire service assembly and the b represents a sequential number unique to each part within the service assembly.

For example, a wheel assembly might be identified by reference number 6, the tire by 6:1, the valve by 6:2, and the wheel by 6:3. When you order the assembly identified by reference number 6, you receive all parts identified by reference numbers 6:1, 6:2, and 6:3. However, you may also order any part individually. Reference numbers of this type appear in illustration and in parts lists.

## Reference Numbers Indicating Quantity

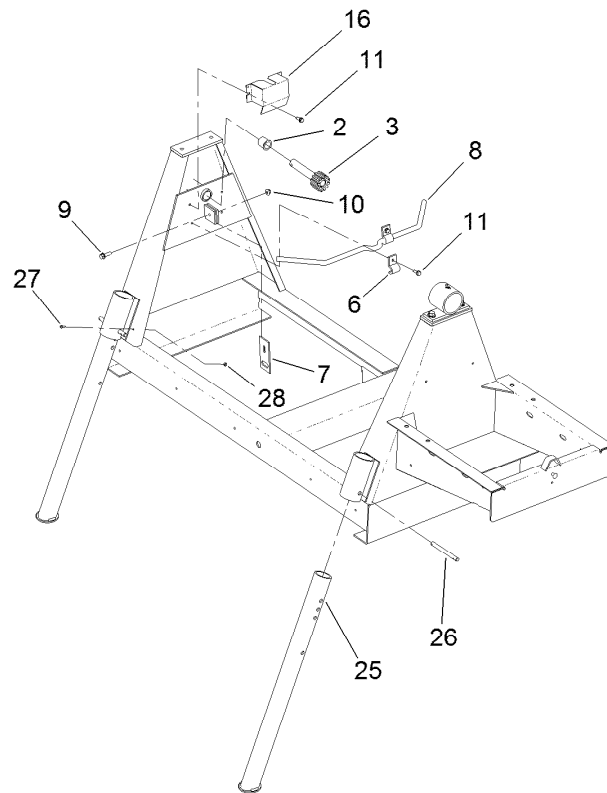
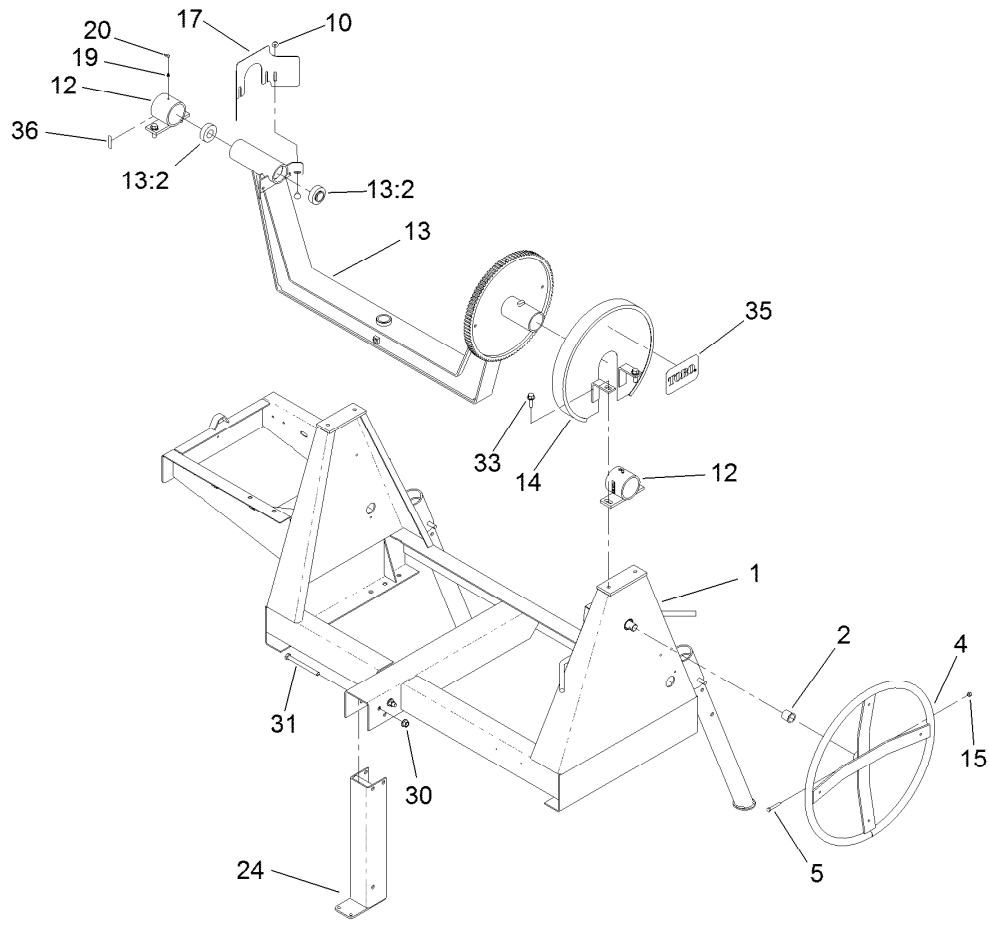
In an illustration, if a reference number indicates more than one part, the reference number has the form nX y. The n represents the quantity of the part, the X is the multiplication symbol, and the y represents the reference number.

For example, in an illustration, the reference number 2X 37 means that two of the parts identified by reference number 37 are indicated.

# Contents

- Main Frame Assembly ..... 4
- Axle Assembly ..... 6
- Hub Assembly No. 125-8171 ..... 8
- Engine and Belt Assembly ..... 10
- Cowl Assembly ..... 12
- Drum Assembly ..... 14
- Attachments and Accessories ..... 16

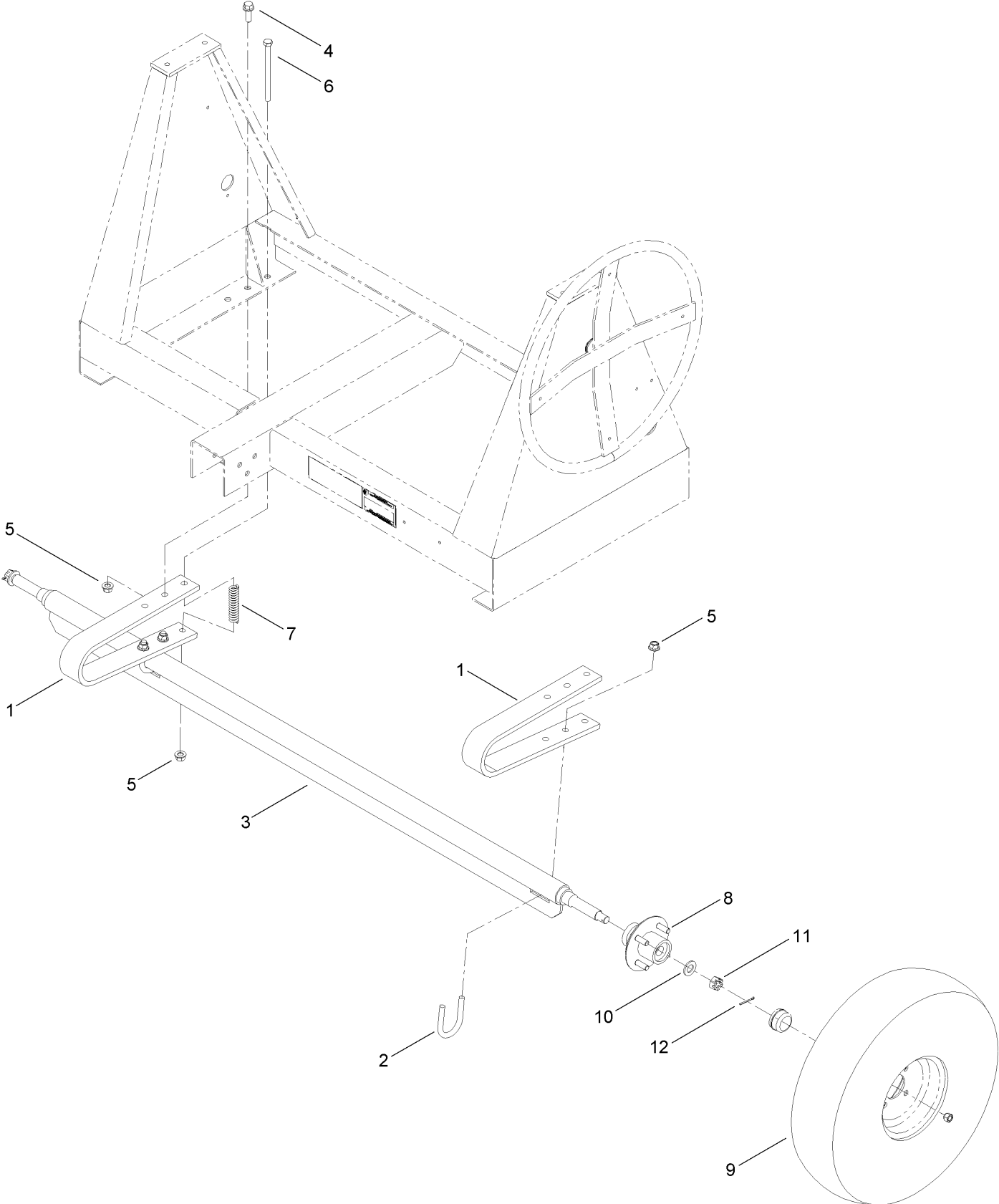
# Main Frame Assembly



## Main Frame Assembly (continued)

| <i>Ref.</i> | <i>Part Number</i> | <i>Qty.</i> | <i>Description</i>  | <i>Ref.</i> | <i>Part Number</i> | <i>Qty.</i> | <i>Description</i>  |
|-------------|--------------------|-------------|---------------------|-------------|--------------------|-------------|---------------------|
| 1           | 125-8685-03        | 1           | Frame               | 15          | 3296-29            | 1           | Nut-Lock, NI        |
| 2           | ST32032            | 2           | Bushing-Nylon       | 16          | ST27618-03         | 1           | Guard-Brake, Lower  |
| 3           | ST22029            | 1           | Shaft-Tilt          | 17          | 130-2208-03        | 1           | Guard-Pinion        |
| 4           | ST22096-03         | 1           | Handwheel           | 19          | ST46042            | 2           | Fitting-Grease      |
| 5           | 322-10             | 1           | Screw-HH            | 20          | ST47001            | 2           | Cap-Plug            |
| 6           | ST27559-03         | 2           | Bracket-Handle      | 24          | ST21875-03         | 1           | Post-Foot           |
| 7           | ST27619-03         | 1           | Dog-Brake           | 25          | ST21874-03         | 2           | Leg-Stabilizer      |
| 8           | 127-5593           | 1           | Handle-Brake        | 26          | ST80039            | 2           | Pin-Clevis, Lanyard |
| 9           | 3234-24            | 1           | Screw-HHF           | 27          | 3290-500           | 2           | Screw-PPH           |
| 10          | 104-8301           | 3           | Nut-HF, NI          | 28          | 3296-2             | 2           | Nut-Lock, NI        |
| 11          | 701243             | 4           | Screw-Thd Roll, HWH | 30          | 99-5107            | 2           | Nut-Lock            |
| 12          | ST24349-03         | 2           | Trunnion            | 31          | 325-22             | 2           | Screw-HH            |
| 13          | 125-6308           | 1           | Yoke ASM            | 33          | ST80031            | 4           | Screw-HWH           |
| 13:2        | ST32039            | 2           | Bearing             | 35          | 99-4693            | 1           | Decal               |
| 14          | ST27617-03         | 1           | Guard-Brake, Upper  | 36          | 125-8175           | 2           | Decal-Grease        |

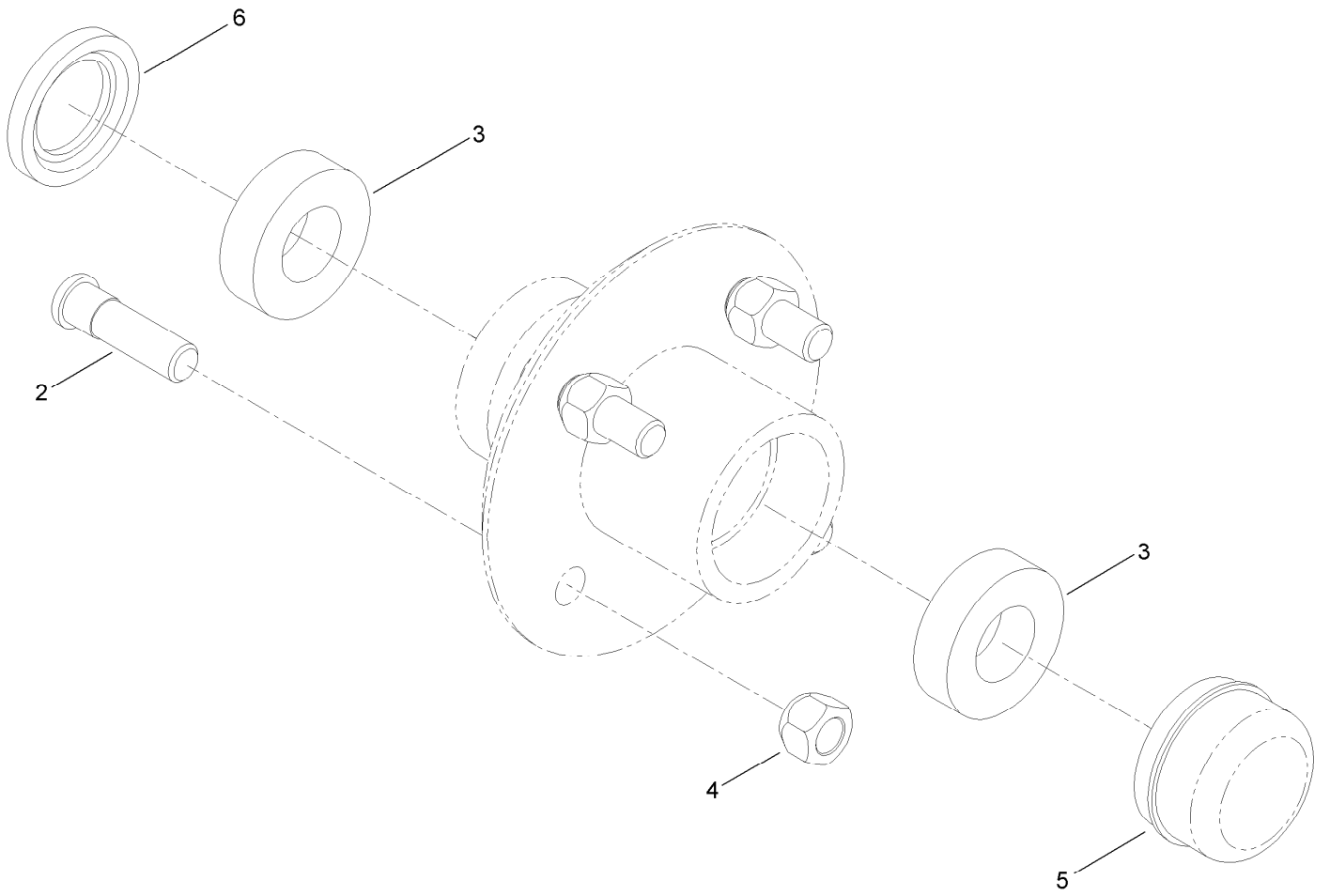
# Axle Assembly



## Axle Assembly (continued)

| <i>Ref.</i> | <i>Part Number</i> | <i>Qty.</i> | <i>Description</i> | <i>Ref.</i> | <i>Part Number</i> | <i>Qty.</i> | <i>Description</i> |
|-------------|--------------------|-------------|--------------------|-------------|--------------------|-------------|--------------------|
| 1           | ST26971            | 2           | Spring-Leaf        | 7           | ST34972            | 2           | Spring-Coil        |
| 2           | ST26195            | 2           | Bolt-U             | 8           | 125-8171           | 2           | Hub ASM            |
| 3           | ST21873-03         | 1           | Axle-Spring        | 9           | ST32307            | 2           | Tire And Rim ASM   |
| 4           | 100-6116           | 4           | Screw-HHF          | 10          | 3256-28            | 2           | Washer-Flat        |
| 5           | 99-5107            | 10          | Nut-Lock           | 11          | ST80054            | 2           | Nut                |
| 6           | 325-33             | 2           | Screw-HH           | 12          | 3272-13            | 2           | Pin-Cotter         |

# Hub Assembly No. 125-8171



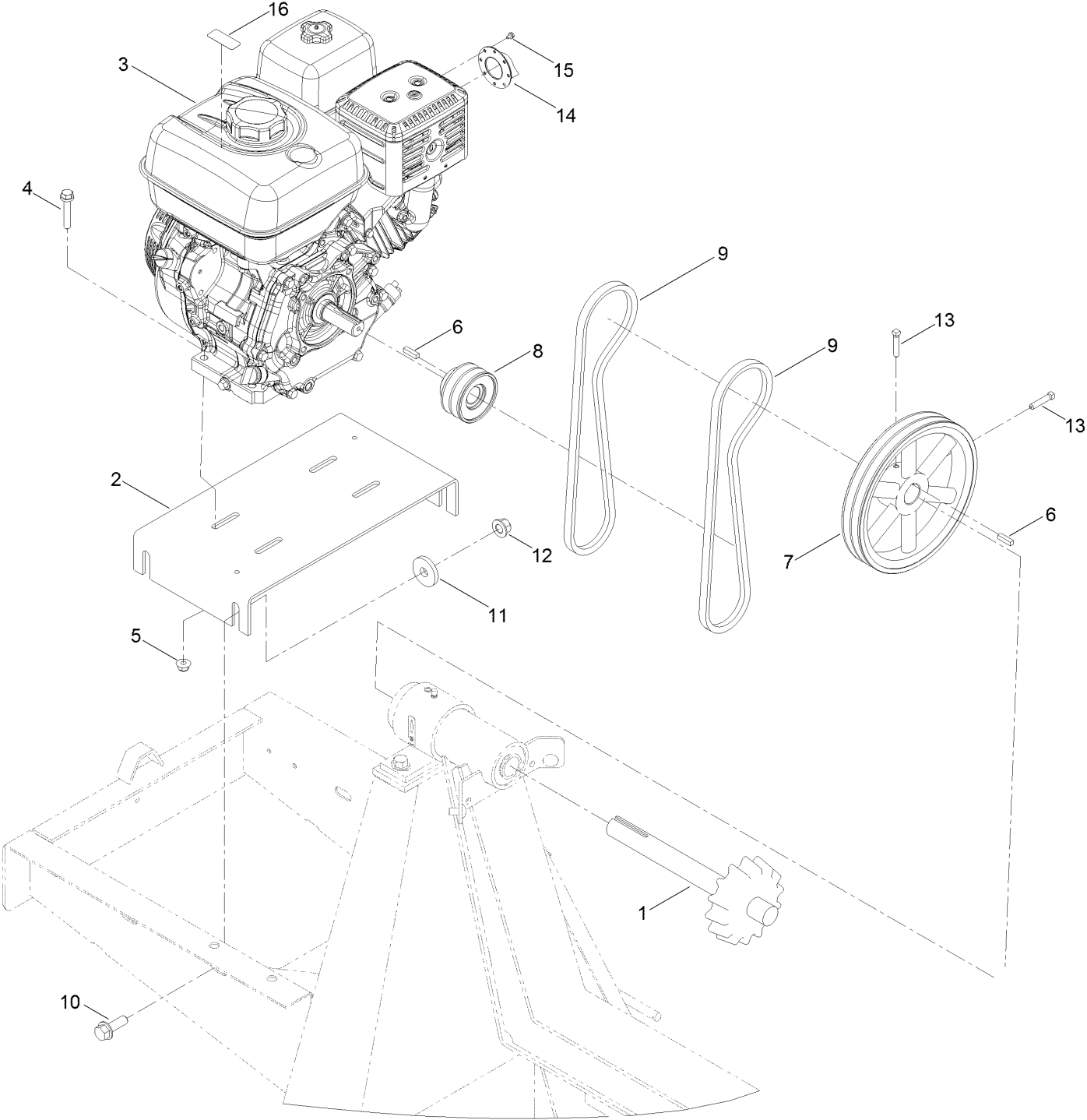


## Hub Assembly No. 125-8171 (continued)

| <i>Ref.</i> | <i>Part Number</i> | <i>Qty.</i> | <i>Description</i> |
|-------------|--------------------|-------------|--------------------|
| 2           | ST39190            | 4           | Stud-Wheel         |
| 3           | ST32233            | 2           | Bearing-Roller     |
| 4           | ST80045            | 4           | Nut-Lug            |

| <i>Ref.</i> | <i>Part Number</i> | <i>Qty.</i> | <i>Description</i> |
|-------------|--------------------|-------------|--------------------|
| 5           | ST34573            | 1           | Cap-Dust           |
| 6           | ST32052            | 1           | Seal-Hub, Wheel    |

# Engine and Belt Assembly

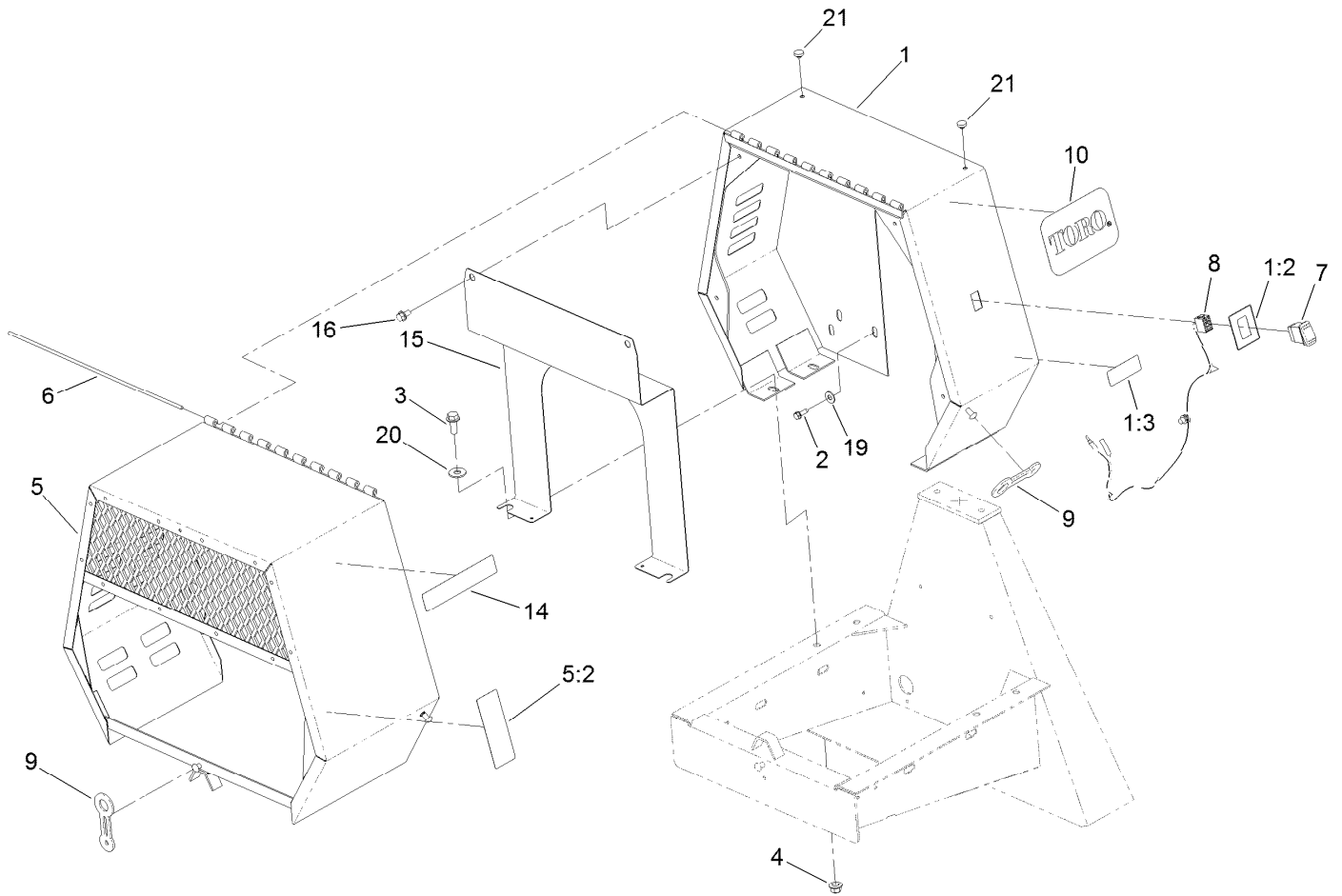


## Engine and Belt Assembly (continued)

| <i>Ref.</i> | <i>Part Number</i> | <i>Qty.</i> | <i>Description</i>    | <i>Ref.</i> | <i>Part Number</i> | <i>Qty.</i> | <i>Description</i>       |
|-------------|--------------------|-------------|-----------------------|-------------|--------------------|-------------|--------------------------|
| 1           | ST21487            | 1           | Shaft-Drive           | 9           | 127-0075           | 2           | Belt-V                   |
| 2           | 127-7579-03        | 1           | Base-Engine, 95Cm     | 10          | 100-6116           | 4           | Screw-HHF                |
| 3           | 125-4812           | 1           | Engine-Honda, Gx240 ● | 11          | ST26326            | 4           | Washer-Flat              |
| 4           | 108-3742           | 4           | Screw-HHF             | 12          | 99-5107            | 4           | Nut-Lock                 |
| 5           | 104-8301           | 4           | Nut-HF, NI            | 13          | 909546             | 2           | Screw-Set                |
| 6           | 5-7280             | 2           | Key                   | 14          | 120-1886           | 1           | Deflector-Exhaust, Honda |
| 7           | ST34986-03         | 1           | Sheave                | 15          | 127-7578           | 3           | Screw-HWH                |
| 8           | ST34984            | 1           | Sheave                | 16          | 130-8322           | 1           | Decal-Warning, Ethanol   |

● Obtain parts from [www.honda-engines.com](http://www.honda-engines.com)

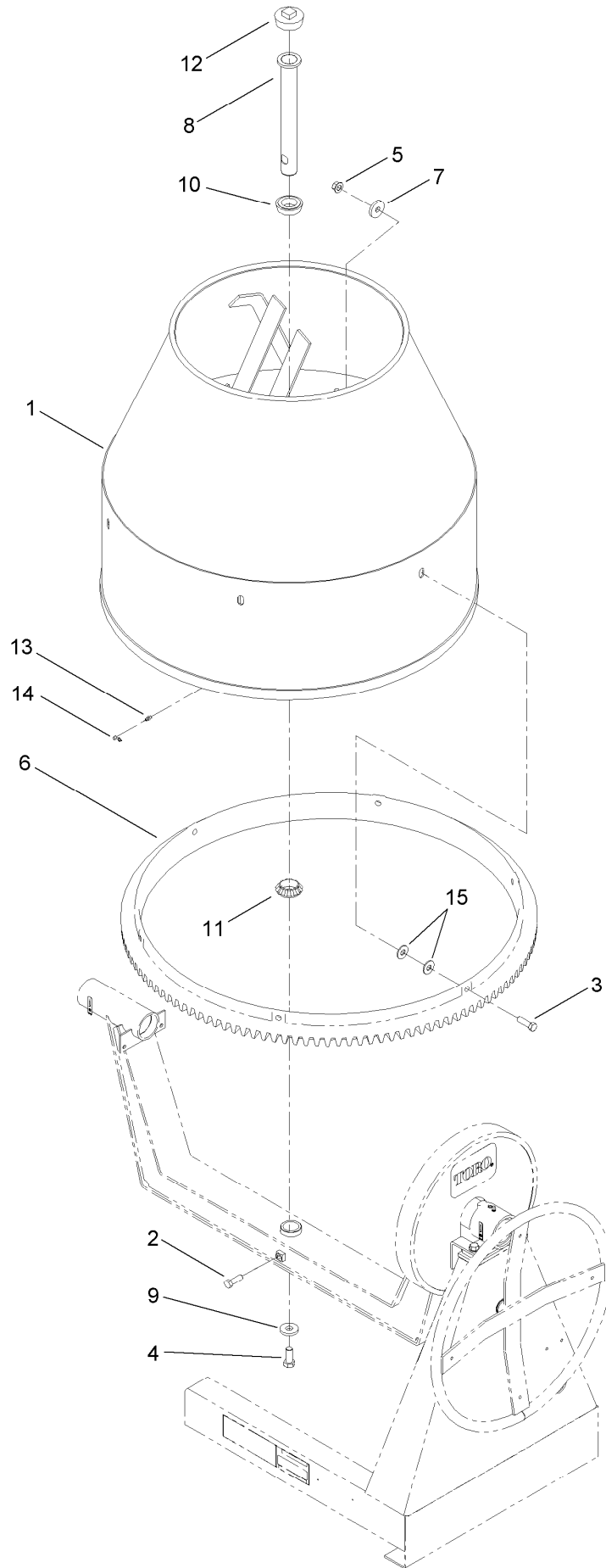
# Cowl Assembly



## Cowl Assembly (continued)

| <i>Ref.</i> | <i>Part Number</i> | <i>Qty.</i> | <i>Description</i>    | <i>Ref.</i> | <i>Part Number</i> | <i>Qty.</i> | <i>Description</i>  |
|-------------|--------------------|-------------|-----------------------|-------------|--------------------|-------------|---------------------|
| 1           | 127-2811           | 1           | Stationary Cowl ASM   | 8           | 125-4877           | 1           | Harness-Wire, Mixer |
| 1:2         | 125-4940           | 1           | Decal-Stop, Engine    | 9           | ST47182            | 3           | Latch-Rubber        |
| 1:3         | 133-5619           | 1           | Decal-Arrester, Spark | 10          | 67-7320            | 2           | Decal               |
| 2           | 701243             | 2           | Screw-Thd Roll, HWH   | 14          | 125-4937           | 2           | Decal               |
| 3           | 3234-38            | 4           | Screw-HHF             | 15          | 125-8218-03        | 1           | Plate-Engine        |
| 4           | 99-5107            | 4           | Nut-Lock              | 16          | 110-9380           | 2           | Screw-HWH           |
| 5           | 127-1685           | 1           | Movable Cowl ASM      | 19          | 3256-4             | 2           | Washer-Flat         |
| 5:2         | 125-4939           | 1           | Decal-Warning         | 20          | 3256-6             | 2           | Washer-Flat         |
| 6           | ST44368            | 1           | Pin                   | 21          | 1-513658           | 2           | Bumper              |
| 7           | 95-8999            | 1           | Switch                |             |                    |             |                     |

# Drum Assembly



## Drum Assembly (continued)

| <i>Ref.</i> | <i>Part Number</i> | <i>Qty.</i> | <i>Description</i> | <i>Ref.</i> | <i>Part Number</i> | <i>Qty.</i> | <i>Description</i> |
|-------------|--------------------|-------------|--------------------|-------------|--------------------|-------------|--------------------|
| 1           | 125-6306-01        | 1           | Drum               | 9           | ST27413            | 1           | Washer-Flat        |
| 2           | 325-6              | 1           | Screw-HH           | 10          | ST32086            | 1           | Bearing            |
| 3           | 325-7              | 6           | Screw-HH           | 11          | ST32161            | 1           | Bearing-Roller     |
| 4           | 327-4              | 1           | Screw-HH           | 12          | ST46022            | 1           | Plug               |
| 5           | 99-5107            | 6           | Nut-Lock           | 13          | ST46057            | 1           | Fitting            |
| 6           | ST26317-01         | 1           | Gear-Ring          | 14          | ST47001            | 1           | Cap-Plug           |
| 7           | ST26326            | 6           | Washer-Flat        | 15          | 3256-6             | 12          | Washer-Flat        |
| 8           | ST27267            | 1           | Spindle            |             |                    |             |                    |

# Attachments and Accessories

## For 68007 CM-958H-SED Concrete Mixer

**Product Name**

**Model/Part**

Trailer Light Kit..... 68063



**Notes:**

**Notes:**

**Notes:**



**Count on it.**