



**Count on it.**

**Parts Catalog**

**CM-958H-P Concrete Mixer**

Model No. 68009—Serial No. 402000000 and Up



# Ordering Replacement Parts

To order replacement parts, please supply the part number, the quantity, and the description of each part desired.

## Understanding Reference Numbers

Each identified part in an illustration has a reference number. The reference number for a part also appears in the parts list, along with other information about the part.

This catalog uses two special reference number formats, one to indicate parts in a service assembly and another to indicate the quantity of a given part in an illustration.

## Service Assembly Reference Numbers

Parts in service assemblies have reference numbers in the form a:b. The a represents the reference number of the entire service assembly and the b represents a sequential number unique to each part within the service assembly.

For example, a wheel assembly might be identified by reference number 6, the tire by 6:1, the valve by 6:2, and the wheel by 6:3. When you order the assembly identified by reference number 6, you receive all parts identified by reference numbers 6:1, 6:2, and 6:3. However, you may also order any part individually. Reference numbers of this type appear in illustration and in parts lists.

## Reference Numbers Indicating Quantity

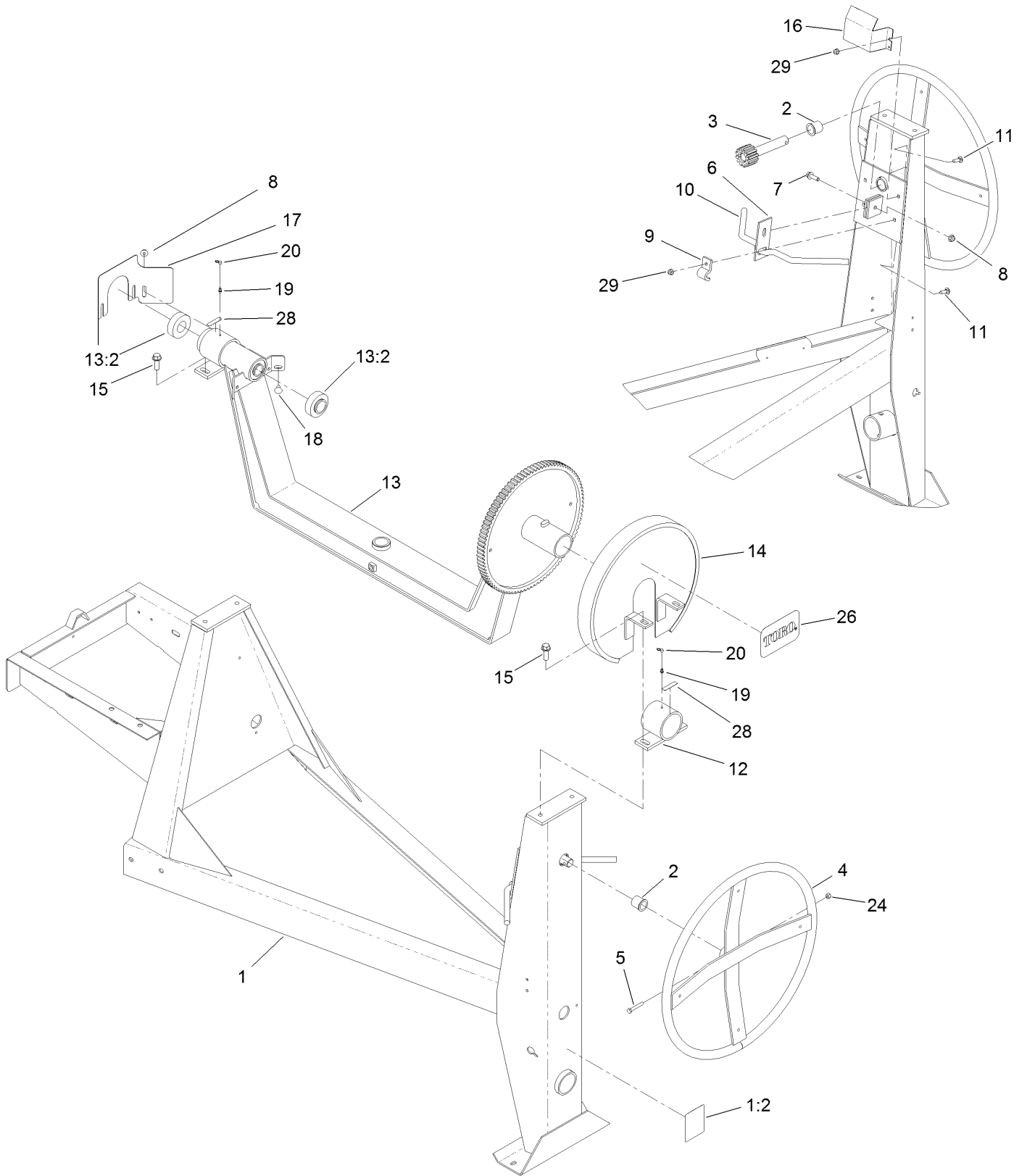
In an illustration, if a reference number indicates more than one part, the reference number has the form nX y. The n represents the quantity of the part, the X is the multiplication symbol, and the y represents the reference number.

For example, in an illustration, the reference number 2X 37 means that two of the parts identified by reference number 37 are indicated.

# Contents

Frame and Yoke Assembly .....	4
Axle Assembly .....	6
Hub Assembly No. 125-8171 .....	8
Engine and Drive Assembly .....	10
Tub Assembly .....	12
Cowl Assembly .....	14
Attachments and Accessories .....	16

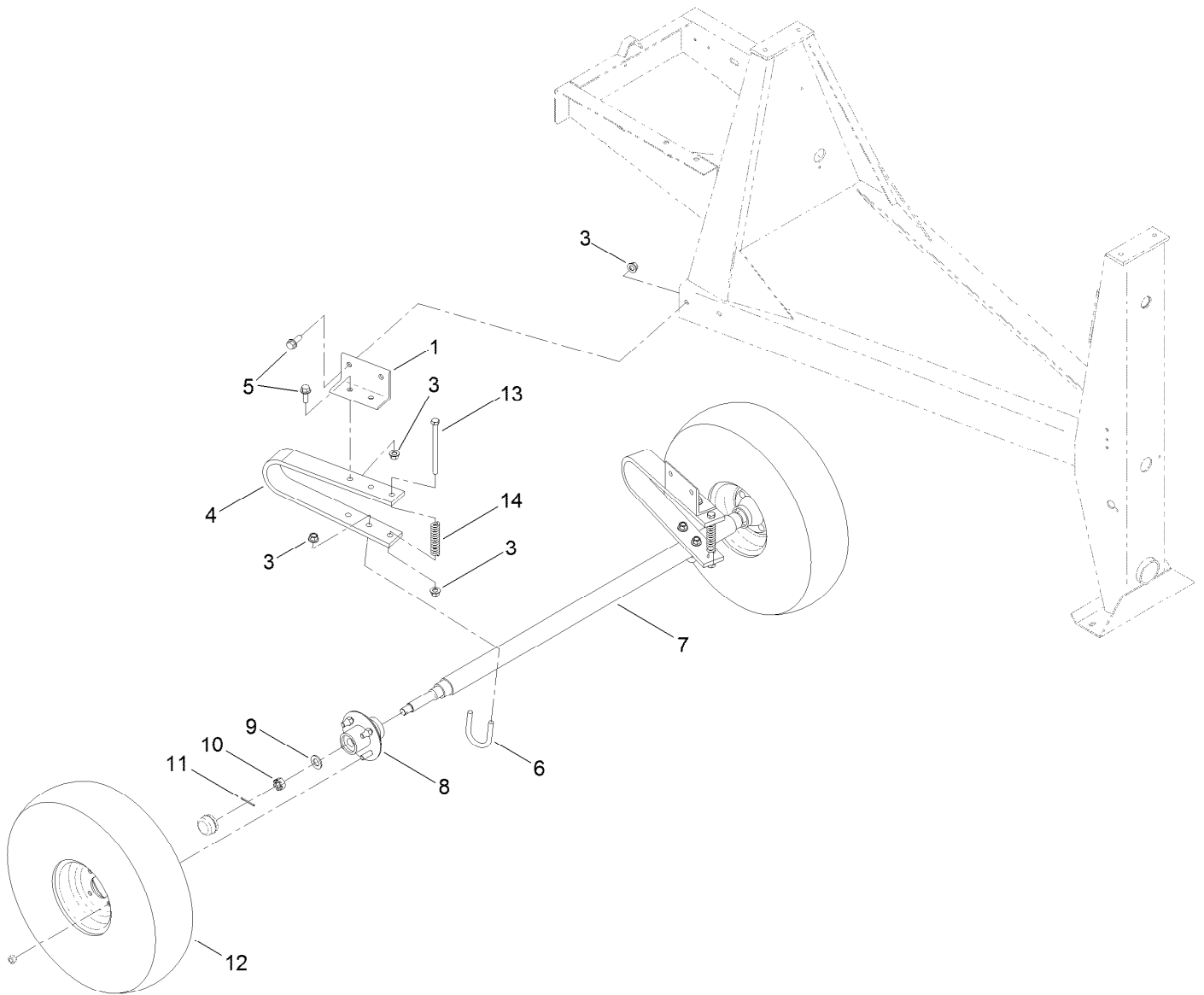
# Frame and Yoke Assembly



## Frame and Yoke Assembly (continued)

<i>Ref.</i>	<i>Part Number</i>	<i>Qty.</i>	<i>Description</i>	<i>Ref.</i>	<i>Part Number</i>	<i>Qty.</i>	<i>Description</i>
1	127-2814	1	Frame ASM	13	125-6308	1	Yoke ASM
1:2	125-8216	1	Decal-Safety Chain, Towing	13:2	ST32039	2	Bearing
2	ST32032	2	Bushing-Nylon	14	ST27617-03	1	Guard-Brake, Upper
3	ST22029	1	Shaft-Tilt	15	ST80031	4	Screw-HWH
4	ST22096-03	1	Handwheel	16	ST27618-03	1	Guard-Brake, Lower
5	322-10	1	Screw-HH	17	130-2208-03	1	Guard-Pinion
6	ST27619-03	1	Dog-Brake	18	3231-21	2	Screw-CARR
7	3234-24	1	Screw-HHF	19	ST46042	2	Fitting-Grease
8	104-8301	3	Nut-HF, NI	20	ST47001	2	Cap-Plug
9	ST27559-03	2	Bracket-Handle	24	3296-29	1	Nut-Lock, NI
10	ST27621	1	Handle-Brake	26	99-4693	1	Decal
11	3230-2	4	Bolt-CARR	28	125-8175	2	Decal-Grease
12	ST24349-03	2	Trunnion	29	104-8300	4	Nut-HF, NI

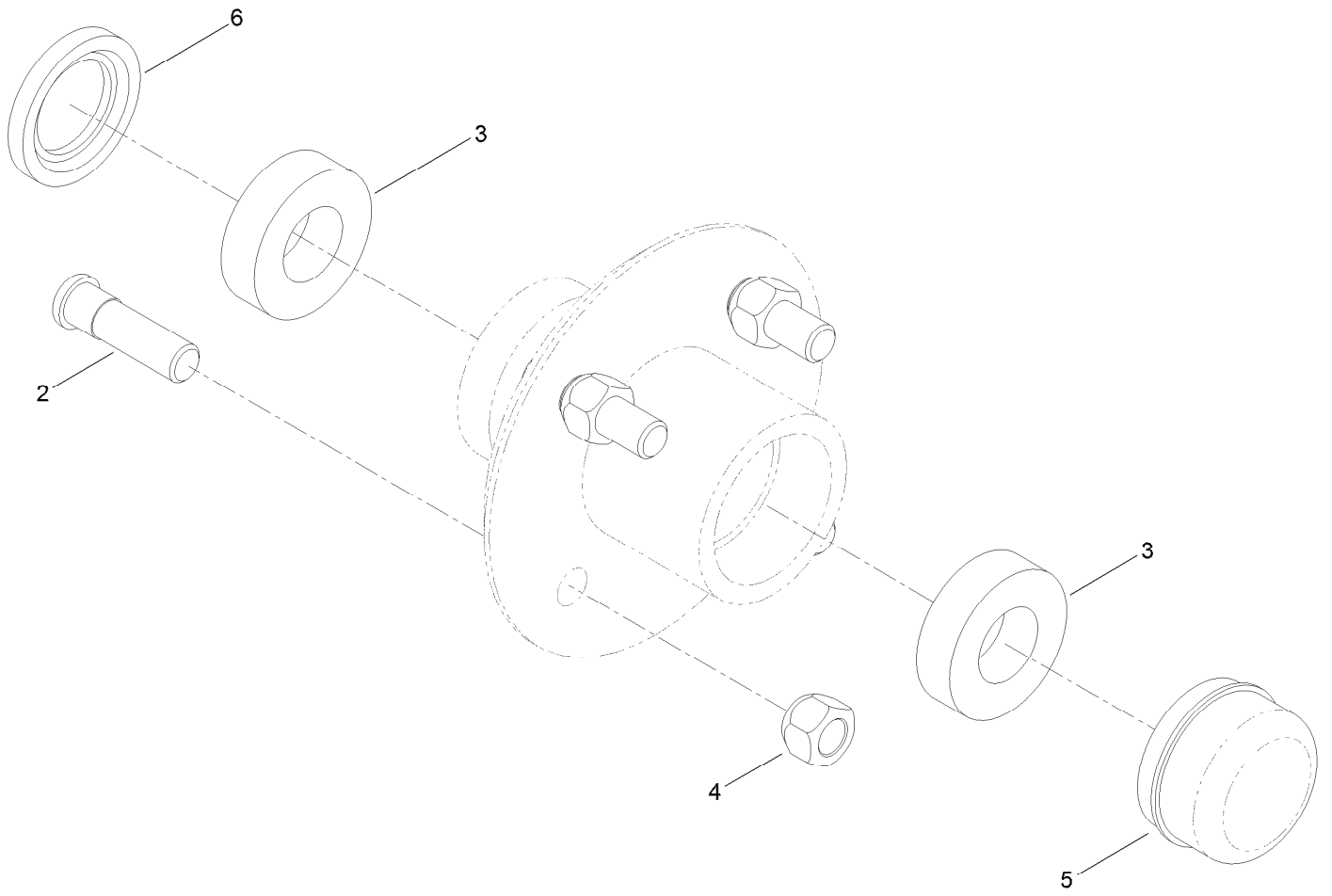
# Axle Assembly



## Axle Assembly (continued)

<i>Ref.</i>	<i>Part Number</i>	<i>Qty.</i>	<i>Description</i>	<i>Ref.</i>	<i>Part Number</i>	<i>Qty.</i>	<i>Description</i>
1	ST26949-03	2	Bracket-Axle, Spring	9	3256-28	2	Washer-Flat
3	99-5107	14	Nut-Lock	10	ST80054	2	Nut
4	ST26971	2	Spring-Leaf	11	3272-13	2	Pin-Cotter
5	100-6116	8	Screw-HHF	12	ST32307	2	Tire And Rim ASM
6	ST26195	2	Bolt-U	13	325-33	2	Screw-HH
7	ST21460-03	1	Axle-Spring	14	ST34972	2	Spring-Coil
8	125-8171	2	Hub ASM				

# Hub Assembly No. 125-8171



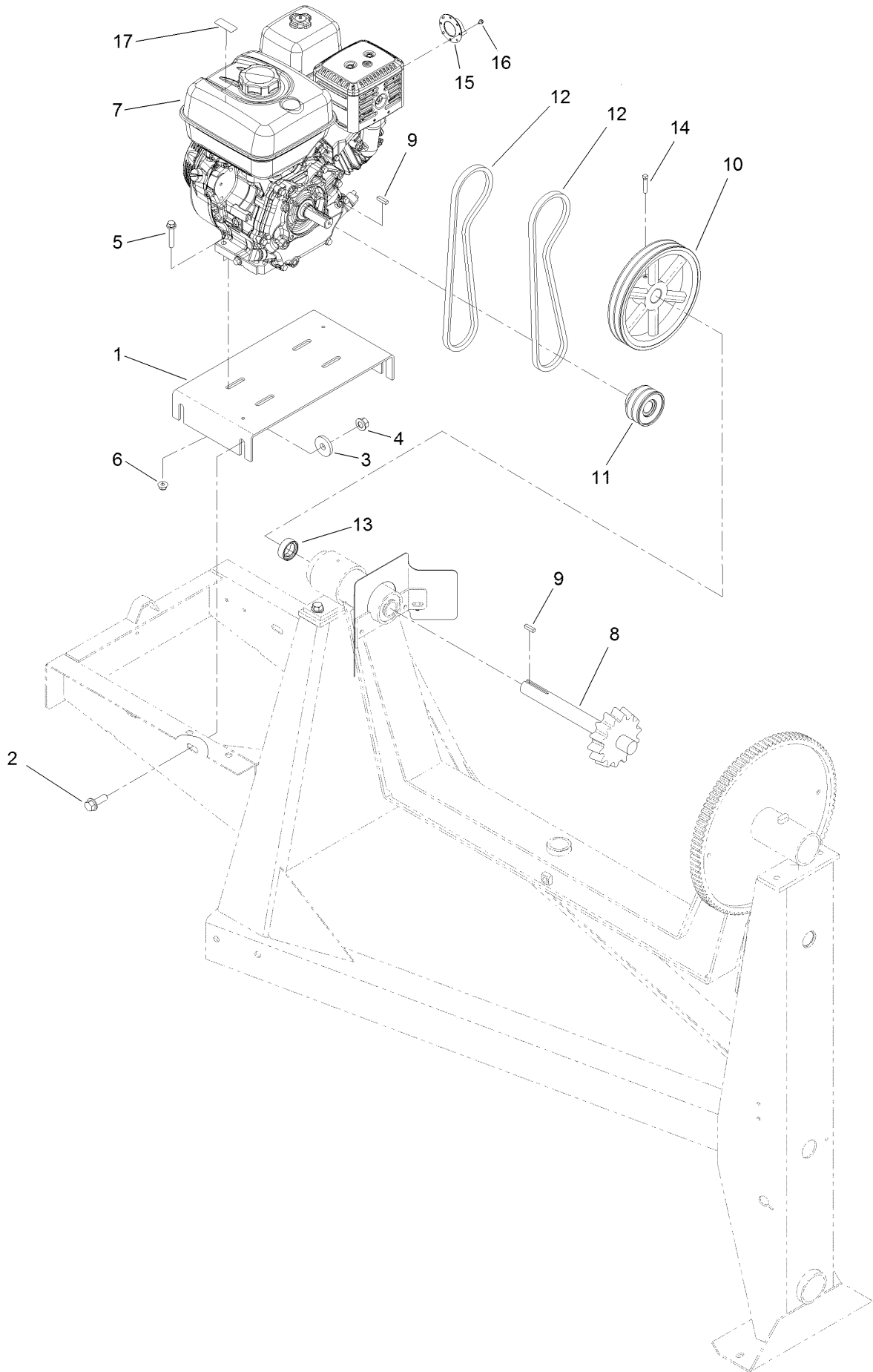


## Hub Assembly No. 125-8171 (continued)

<i>Ref.</i>	<i>Part Number</i>	<i>Qty.</i>	<i>Description</i>
2	ST39190	4	Stud-Wheel
3	ST32233	2	Bearing-Roller
4	ST80045	4	Nut-Lug

<i>Ref.</i>	<i>Part Number</i>	<i>Qty.</i>	<i>Description</i>
5	ST34573	1	Cap-Dust
6	ST32052	1	Seal-Hub, Wheel

# Engine and Drive Assembly

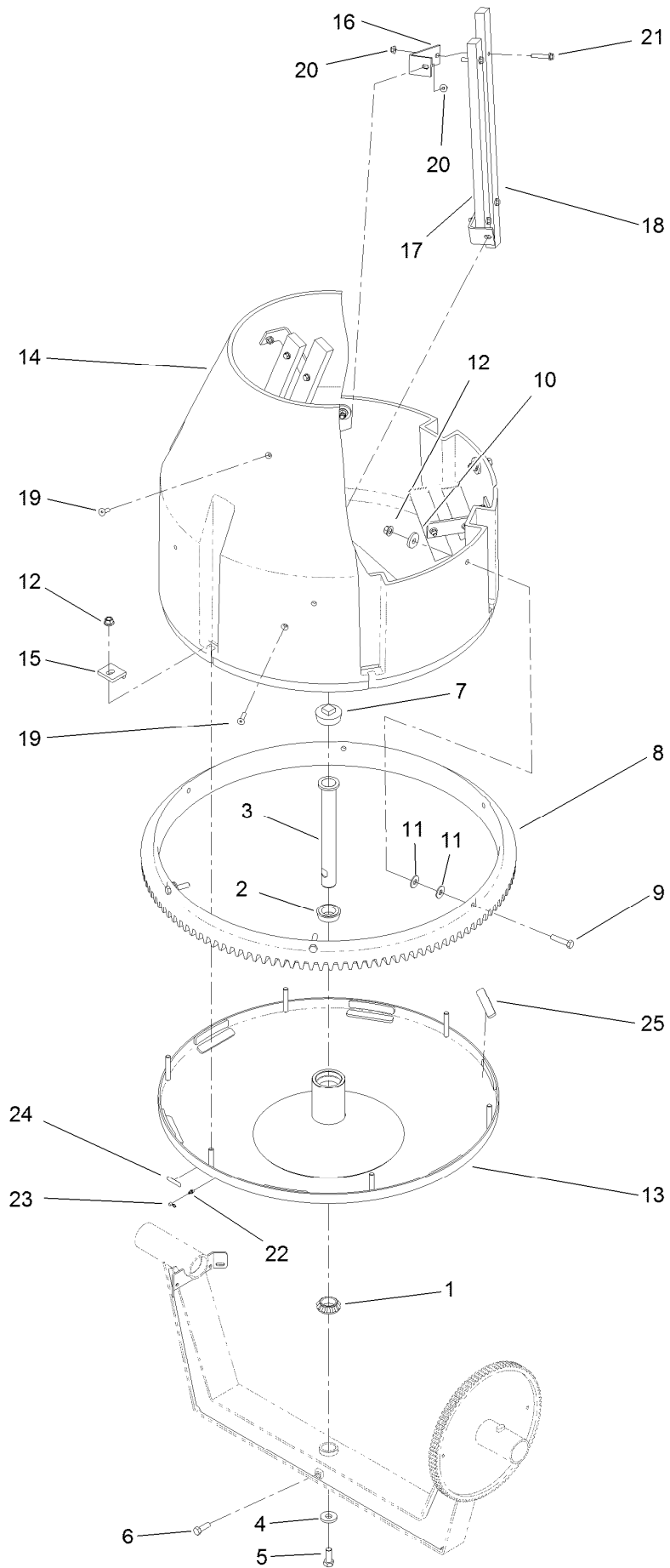


## Engine and Drive Assembly (continued)

<i>Ref.</i>	<i>Part Number</i>	<i>Qty.</i>	<i>Description</i>	<i>Ref.</i>	<i>Part Number</i>	<i>Qty.</i>	<i>Description</i>
1	127-7579-03	1	Base-Engine, 95Cm	10	ST34986-03	1	Sheave
2	100-6116	4	Screw-HHF	11	ST34984	1	Sheave
3	ST26326	4	Washer-Flat	12	127-0075	2	Belt-V
4	99-5107	4	Nut-Lock	13	ST32176	1	Collar-Locking
5	108-3742	4	Screw-HHF	14	909546	2	Screw-Set
6	104-8301	4	Nut-HF, NI	15	120-1886	1	Deflector-Exhaust, Honda
7	125-4812	1	Engine-Honda, Gx240 ●	16	127-7578	3	Screw-HWH
8	ST21487	1	Shaft-Drive	17	130-8322	1	Decal-Warning, Ethanol
9	5-7280	2	Key				

● Obtain parts from [www.honda-engines.com](http://www.honda-engines.com)

# Tub Assembly



## Tub Assembly (continued)

<i>Ref.</i>	<i>Part Number</i>	<i>Qty.</i>	<i>Description</i>	<i>Ref.</i>	<i>Part Number</i>	<i>Qty.</i>	<i>Description</i>
1	ST32161	1	Bearing-Roller	14	131-2908	1	Drum
2	ST32086	1	Bearing	15	ST42781-01	6	Clamp-Drum
3	ST27267	1	Spindle	16	ST42810-01	6	Bracket-Paddle
4	ST27413	1	Washer-Flat	17	ST47341	3	Paddle
5	327-4	1	Screw-HH	18	ST47342	3	Paddle
6	325-6	1	Screw-HH	19	3289-17	6	Screw-FH, Hex Socket
7	ST46022	1	Plug	20	104-8301	18	Nut-HF, NI
8	ST26317-01	1	Gear-Ring	21	108-3742	12	Screw-HHF
9	325-9	6	Screw-HH	22	ST46057	1	Fitting
10	ST26326	6	Washer-Flat	23	ST47001	1	Cap-Plug
11	3256-6	12	Washer-Flat	24	125-8175	1	Decal-Grease
12	99-5107	6	Nut-Lock	25	132-3978	12	Pad-Rubber
13	125-8170-01	1	Dish				



## Cowl Assembly (continued)

<i>Ref.</i>	<i>Part Number</i>	<i>Qty.</i>	<i>Description</i>	<i>Ref.</i>	<i>Part Number</i>	<i>Qty.</i>	<i>Description</i>
1	127-2811	1	Stationary Cowl ASM	8	125-4877	1	Harness-Wire, Mixer
1:2	125-4940	1	Decal-Stop, Engine	9	ST47182	3	Latch-Rubber
1:3	117-2718	1	Decal-Arrester, Spark	10	67-7320	2	Decal
2	701243	2	Screw-Thd Roll, HWH	13	125-4937	2	Decal
3	3234-38	4	Screw-HHF	14	132-4042	1	Decal-Service
4	99-5107	4	Nut-Lock	15	125-8218-03	1	Plate-Engine
5	127-1685	1	Movable Cowl ASM	16	110-9380	2	Screw-HWH
5:2	125-4939	1	Decal-Warning	17	3256-4	2	Washer-Flat
6	ST44368	1	Pin	19	3256-6	2	Washer-Flat
7	95-8999	1	Switch	20	1-513658	2	Bumper

# Attachments and Accessories

## For 68009 CM-958H-P Concrete Mixer

<b>Product Name</b>	<b>Model/Part</b>
31in Forged Tow Pole Hitch .....	68056
31in Pintel Tow Pole Hitch .....	68058
31in Stamped Tow Pole Hitch .....	68060
Trailer Light Kit.....	68062



**Notes:**

**Notes:**

**Notes:**



**Count on it.**