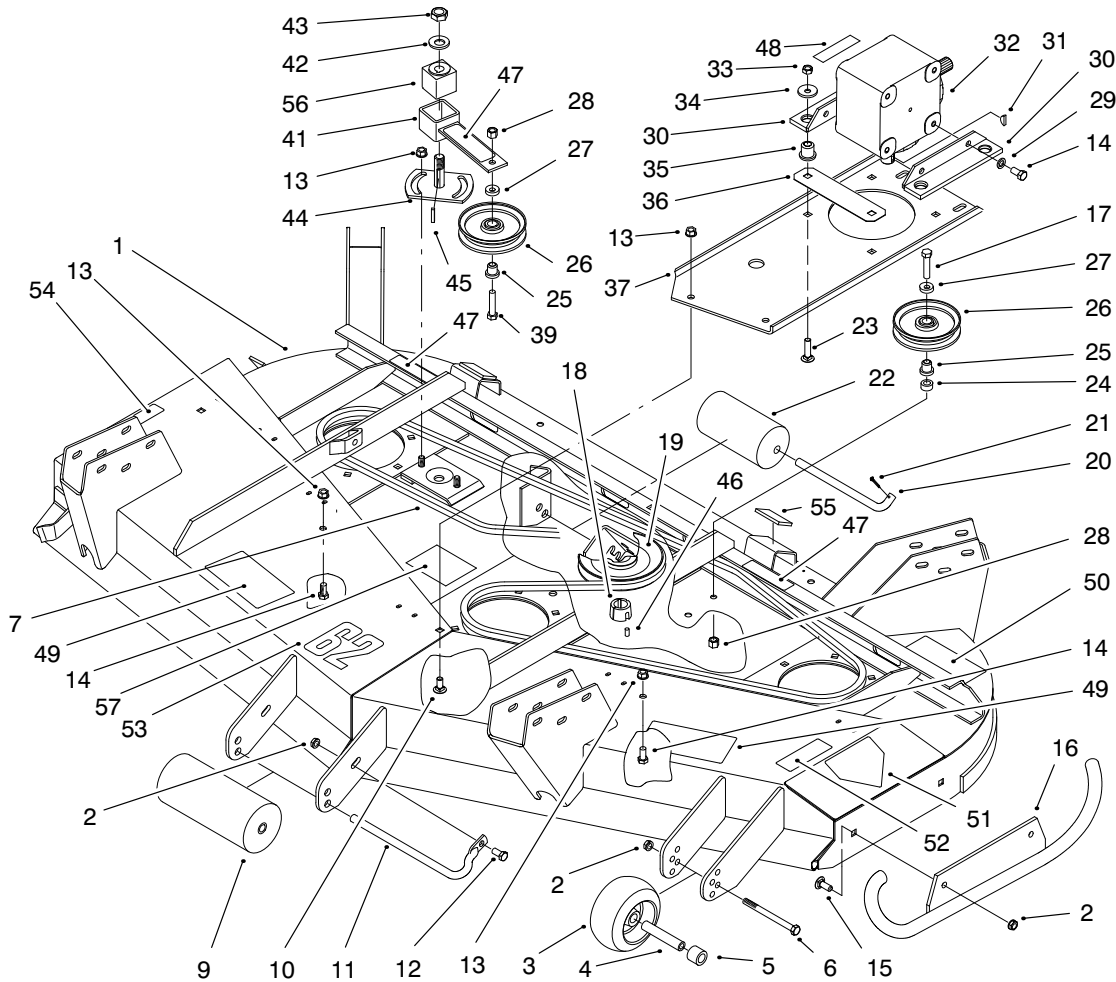




MODEL NO. 30551-90001 & UP
MODEL NO. 30551TE-90001 & UP

PARTS
CATALOG

62" SIDE DISCHARGE DECK
For Groundsmaster® 200 Series

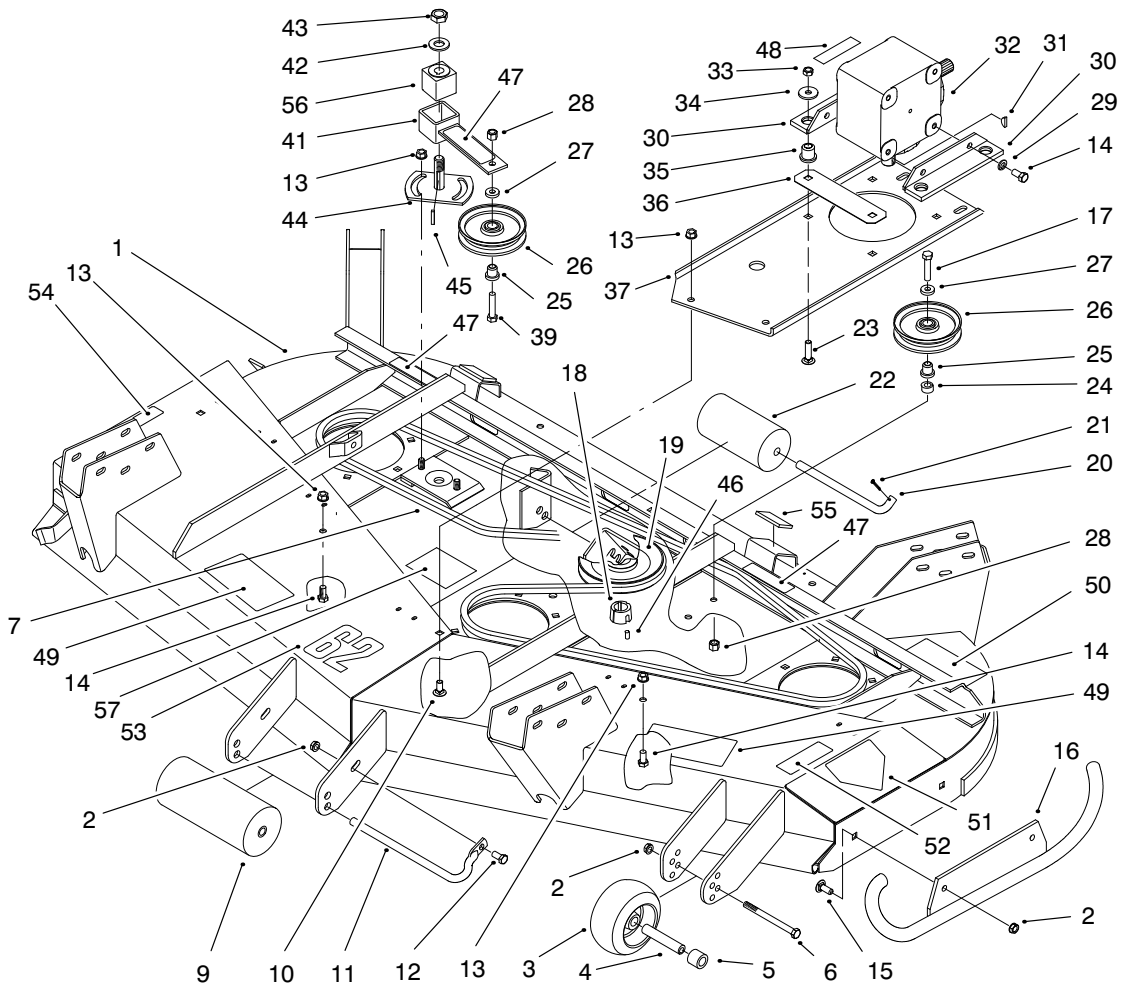


T-3060-2

ROLLER & DRIVE ASSEMBLY

Ref. No.	Part No.	Description	No. Used
1	99-1287	Deck Assembly (Incl. Ref. #47, 49-55 & 57)	1
2	32128-19	Nut-Hex. Flange	4
3	68-2730	Wheel-Gage	1
4	98-7912	Spanner	1
5	98-7913	Spacer	1
6	323-23	Screw-HH	1
7	44-6260	V-Belt	1
9	68-6710	Roller-Deck	1
10	3231-27	Screw-Carriage	4
11	68-6840	Shaft-Roller	1
12	3234-11	Screw-HHF	1
13	3290-357	Nut-Flange	8
14	323-4	Screw-HH	6
15	3231-22	Bolt-Carriage	2
16	99-1252	Skid Assembly	1
17	3211-9	Screw-HH	1

Ref. No.	Part No.	Description	No. Used
18	27-6140	Bushing-Taperlock (Incl. Ref. #46)	1
19	63-9900	Pulley Assembly-Gearbox	1
20	40-0340	Shaft-Roller, Rear	2
21	3272-11	Pin-Cotter	2
22	36-1740	Roller-Deck	2
23	3231-26	Bolt-Carriage	4
24	44-6390	Spacer	1
25	65-5950	Bushing-Pulley	2
26	65-5940	Bushing-Pulley	2
27	7-0081	Washer-Special	2
28	3296-5	Nut-Lock	2
29	3253-21	Washer-Lock	4
30	68-8560	Gearbox Bracket Assembly	2
31	3257-5	Key-Woodruff	1
32	68-6810	Gearbox	1
33	32153-2	Nut-Lock	4

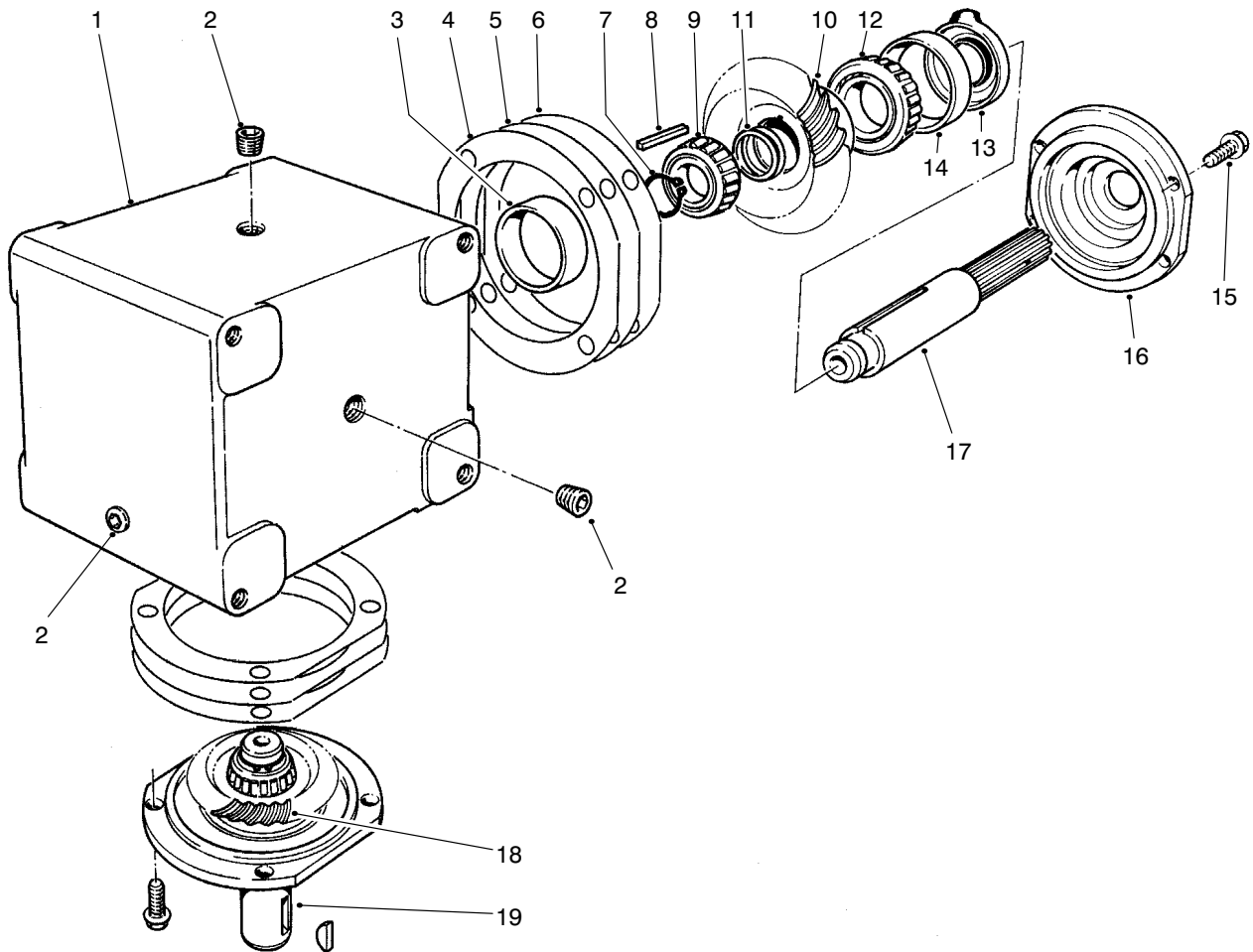


T-3060-2

ROLLERS & DRIVE ASSEMBLY (Continued)

Ref. No.	Part No.	Description	No. Used
34	63-8410	Washer-Flat	4
35	63-9750	Mount-Rubber	4
36	68-9890	Cover-Gearbox Front	1
37	72-9310	Base-Gearbox	1
39	3211-8	Screw-HH	1
41	99-1297	Idler Socket & Bushing Asm (Incl. Ref. #47 & 56)	1
42	3256-27	Washer-Flat	1
43	3296-33	Nut-Lock	1
44	44-6300	Idler Plate Assembly	1
45	5-1077	Key-Square	1
46	3245-9	Screw-Set	2
47	67-5360	Decal-Danger	3
47	93-7273	Decal-Danger (Europe)	3
48	70-2560	Decal-Lube	1

Ref. No.	Part No.	Description	No. Used
48	93-6697	Decal-Lube (Europe)	1
49	66-1340	Decal-Discharge	2
49	93-7824	Decal-Discharge (Europe)	2
50	92-8761	Decal-Warning	1
50	93-7811	Decal-Warning (Europe)	1
51	43-8480	Decal-Danger	1
51	93-7815	Decal-Danger (Europe)	1
52	68-8340	Decal-Torque	1
52	93-7818	Decal-Torque (Europe)	1
53	66-1630	Decal-62"	1
54	66-6380	Decal-Danger	
54	93-7828	Decal-Danger (Europe)	1
55	74-0340	Cushion-Rubber	2
56	27-8490	Bushing	1
57	99-5172	Decal-Belt Routing	1

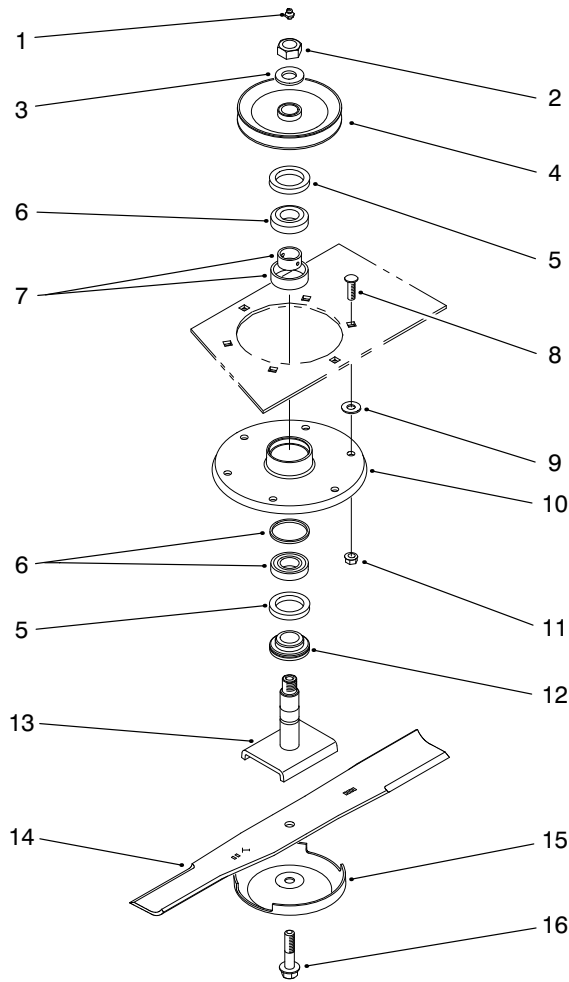


T-0977-2

GEAR BOX ASSEMBLY NO. 68-6810

Ref. No.	Part No.	Description	No. Used
1	68-7030	Housing	1
2	62-3490	Plug-Pipe (Solid)	4
3	62-3360	Cup-Bearing	2
4	62-3420	Gasket (.015 in.)	A/R
5	62-3430	Gasket (.005 in.)	A/R
6	62-3440	Gasket (.003 in.)	A/R
7	68-7070	Ring-Retaining	2
8	62-3380	Key	2
9	62-3370	Cone-Bearing	2
10	68-7080	Gear	1

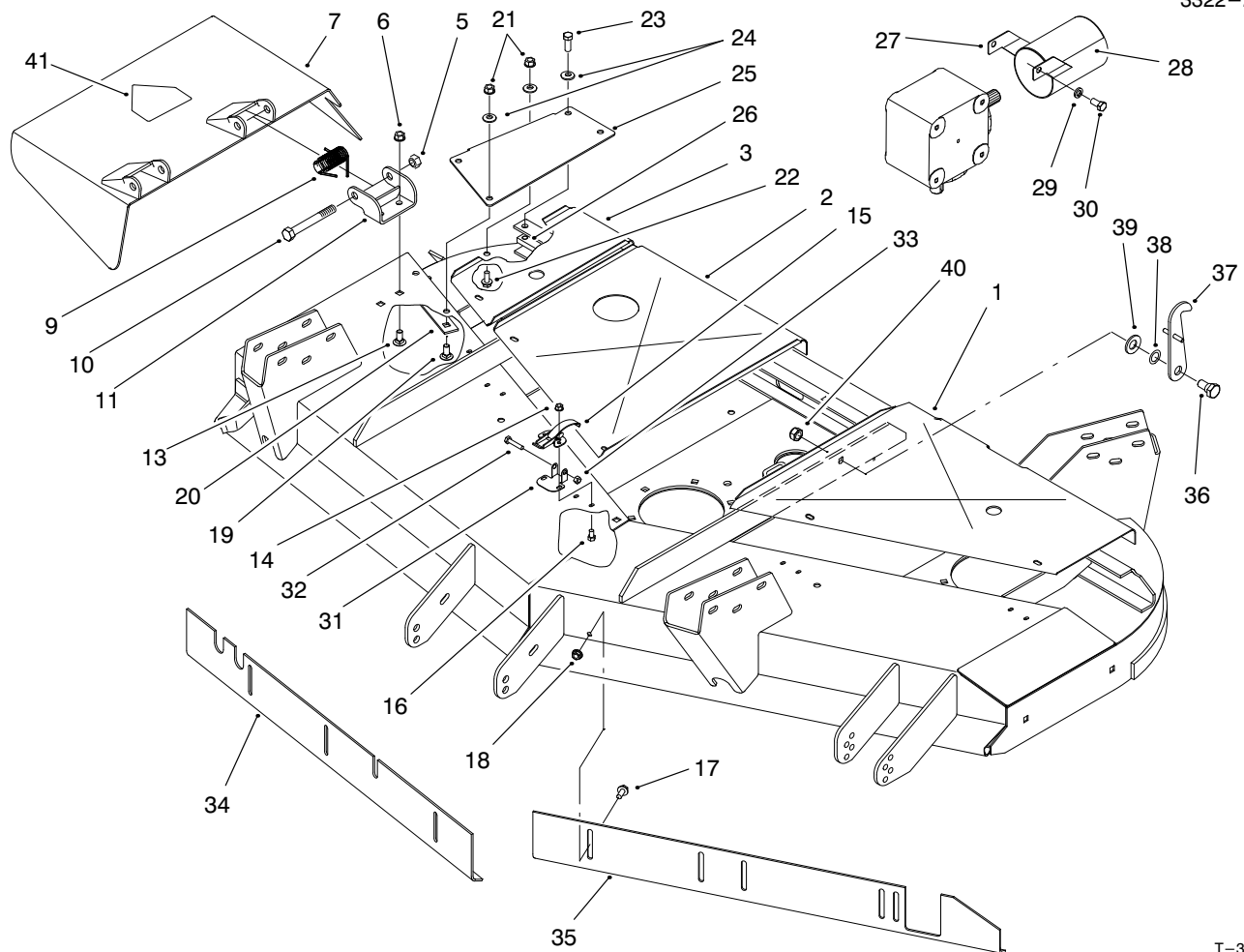
Ref. No.	Part No.	Description	No. Used
11	72-9370	Shim (.020 in.)	4
12	62-3330	Cone-Gear	1
13	62-3400	Seal	2
14	62-3340	Cup-Bearing	2
15	62-3310	Screw-Cap	8
16	62-3410	Cap	2
17	68-7040	Shaft	1
18	68-7060	Gear	1
19	68-7050	Shaft	1



T-3061-1

SPINDLE & BLADE ASSEMBLY

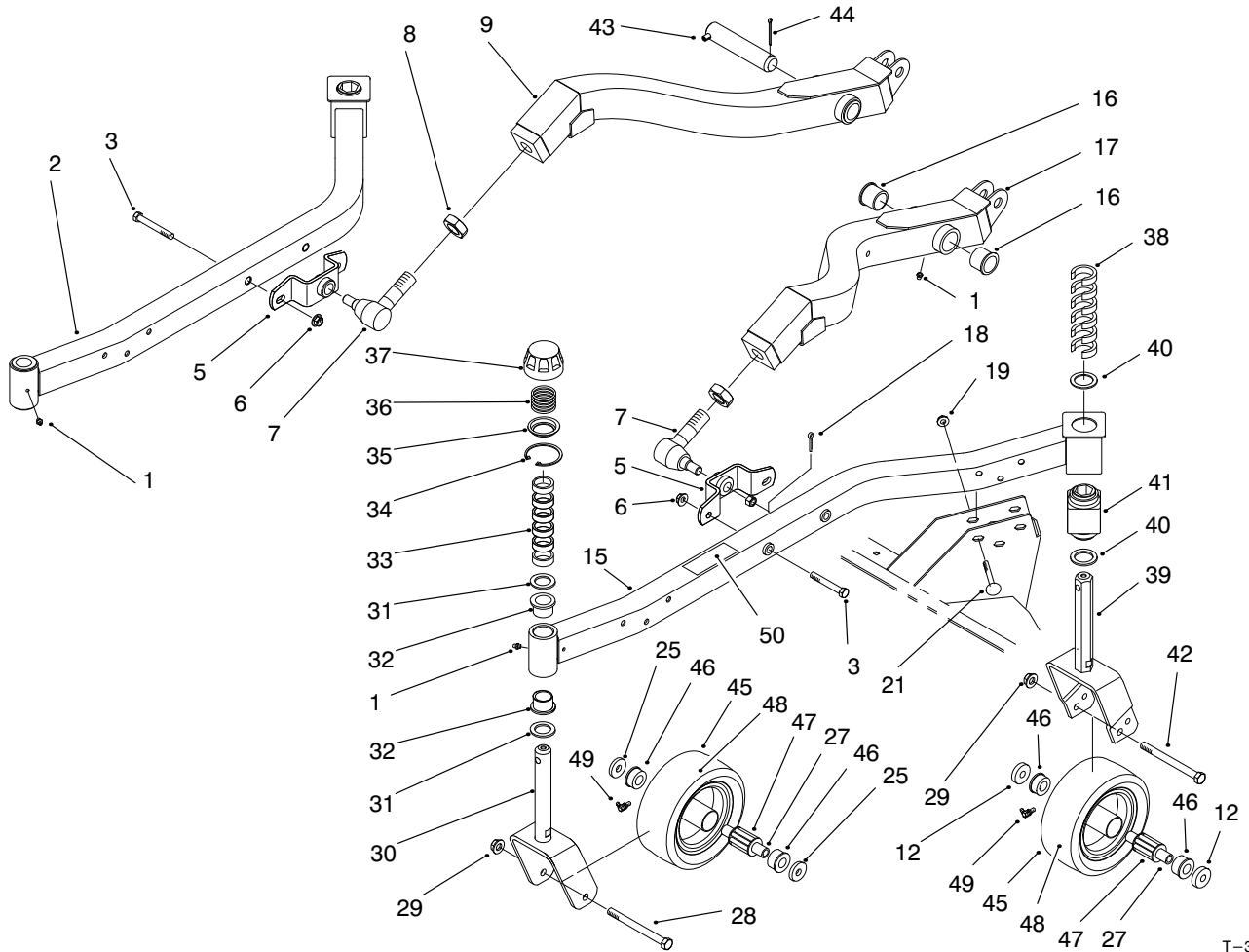
Ref. No.	Part No.	Description	No. Used	Ref. No.	Part No.	Description	No. Used
1	302-2	Fitting-Grease	3	9	3256-24	Washer-Flat	A/R
2	32146-20	Nut-Lock	3	10	61-4160	Spindle	3
3	7-4150	Washer	3	11	32128-21	Nut-Lock HFH	18
4	44-6340	Pulley & Hub Assembly	3	12	27-0950	Spacer-Bearing, Spindle	3
5	253-139	Seal-Oil	6	13	27-0920	Spindle Shaft Assembly	3
6	27-0960	Bearing Assembly	3	14	44-6250	Blade	3
7	27-5970	Spacer-Matched Set	3	15	72-9360	Cup-Anti Scalp	3
8	3231-22	Bolt-Carriage	18	16	92-5816	Screw-Blade	3



T-3062-2

COVERS & DEFLECTOR ASSEMBLY

Ref. No.	Part No.	Description	No. Used	Ref. No.	Part No.	Description	No. Used
1	99-1294	Cover-Deck, LH	1	24	5-0838	Washer-Flat	6
2	72-9320	Cover-Deck, Center	1	25	99-5161	Plate-Stiffener	1
3	99-5163	Cover-Deck, RH	1	26	99-5158	Block-Tapped	1
5	32153-5	Nut-Lock	2	27	99-8408	Guard-PTO Shaft (Europe) (Incl. Ref. #28)	1
6	3290-357	Nut-Flange	4	28	93-7283	Decal-Danger (Europe)	1
7	14-0909	Deflector Assembly (Incl. Ref. #41)	1	29	3253-21	Washer-Lock (Europe)	2
9	51-1550	Spring	2	30	323-2	Screw-HH (Europe)	2
10	325-17	Screw-HH	2	31	93-7043	Retainer (Europe)	3
11	51-1530	Hinge Bracket Assembly	2	32	321-8	Screw-HH (Europe)	3
13	3231-27	Screw-Carriage	4	33	3296-56	Nut-Lock NI (Europe)	3
14	32128-17	Nut-Lock	10	34	82-8820	Baffle-Front, RH (Europe)	1
15	249-21	Latch-Draw, Slotted	5	35	99-5152	Baffle-Front, LH (Europe)	1
16	3290-321	Screw-HH	10	36	62-6080	Bolt-Shoulder (Europe)	2
17	3234-5	Screw-HFH	6	37	99-5188	Deck Retainer Assembly (Europe)	2
18	32128-20	Nut-Lock Flange	6	38	3290-317	Washer-Wave (Europe)	2
19	3231-22	Screw-Carriage	2	39	3256-27	Washer-Flat (Europe)	2
20	99-5157	Plate-Reinforcement	1	40	3296-28	Nut-Lock NI (Europe)	2
21	3296-39	Nut-Lock NI	4	41	54-9220	Decal-Danger	1
22	3234-11	Screw-HFH	2	41	93-7316	Decal-Danger (Europe)	1
23	323-6	Screw-HH	2				



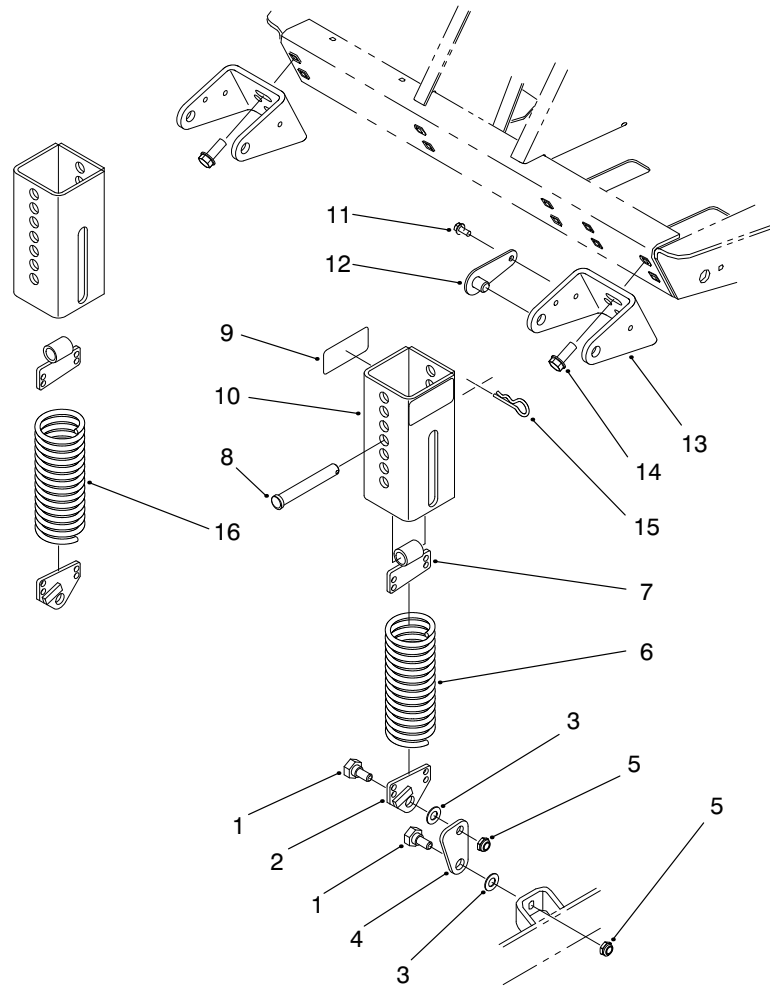
T-3063-1

LIFT ARM & CASTOR ARM ASSEMBLY

Ref. No.	Part No.	Description	No. Used
1	302-5	Fitting-Grease	4
2	99-1263	RH Castor Arm Assembly	1
3	324-12	Screw-HH	4
5	98-7944	Mount-Ball Joint	2
6	32128-42	Nut-Lock	4
7	86-8100	Ball Joint	2
8	21-3000	Nut-Jam	2
9	99-1255	RH Lift Arm Assembly	1
12	99-1291	Spacer	4
15	99-1266	LH Castor Arm Assembly	1
16	256-268	Bushing-Flange	4
17	99-1258	LH Lift Arm Assembly	1
18	3272-12	Pin-Cotter	2
19	32128-19	Nut-Hex. Flange	12
21	3231-10	Bolt-Carriage	12
25	70-8040	Washer-Flat	4
27	68-8980	Bushing-Spanner	4
28	325-19	Screw-HH	2
29	32128-23	Nut-Lock, Flange	4
30	98-7921	Castor Fork Assembly	2
31	3-6781	Washer-Thrust	4

Ref. No.	Part No.	Description	No. Used
32	94-1291	Bushing-Special	4
33	63-0070	Spacer	12
34	92-5581	Ring-Retaining, Internal	4
35	92-5583	Washer-Cap	4
36	92-5584	Spring-Compression	4
37	92-8861	Cap-HOC	4
38	92-8866	Spacer	12
39	92-5578	Rear Castor Fork Assembly	2
40	92-1765	Washer-Thrust	4
41	93-8471	Bushing-Square, Rubber	2
42	325-22	Screw-HH	2
43	98-2330	Pivot Pin Assembly	2
44	3272-19	Pin-Cotter	2
45	93-9939	Tire-8"	4
46	62-5580	Bearing-Outside	8
47	62-5570	Bearing-Roller	4
48	68-8950	Tube w/Valve	4
49	302-11	Fitting-Grease	1
50	92-3035	Decal-Low HOC	1
*	99-1268	Wheel & Tire Assembly (Incl. Ref. #45-49)	4

*Not Illustrated



T-3064-1

COUNTERBALANCE ASSEMBLY

Ref. No.	Part No.	Description	No. Used	Ref. No.	Part No.	Description	No. Used
1	46-3380	Bolt-Shoulder	4	10	70-7970	Spring Cover Assembly	2
2	66-8420	Spring End Assembly	2	11	12-3270	Screw-HH	4
3	3256-24	Washer-Flat	4	12	70-7920	Lock Pin Assembly	4
4	66-8440	Link	2	13	66-8230	Bracket-Support	2
5	3296-44	Nut-Lock	4	14	3234-11	Screw-Flange	4
6	66-8390	Spring-Extension	1	15	3290-355	Pin-Hair	2
7	99-1298	Spring Cover Assembly (Incl. Ref. #9)	2	16	66-8410	Spring-Extension	1
8	283-69	Pin-Clevis	2	*	70-8101	Counterbalance Assembly (Incl. Ref. #1-16)	1
9	55-4300	Decal-Warning	4				
9	93-6696	Decal-Warning (Europe)	4				

*Not Illustrated

TORO PART NUMBER INDEX

Part No.	Description	Pg. No.	Ref. No.	Qty.	Part No.	Description	Pg. No.	Ref. No.	Qty.
3-6781	Washer-Thrust	6	31	4	68-7060	Gear	3	18	1
5-0838	Washer-Flat	5	24	6	68-7070	Ring-Retaining	3	7	2
5-1077	Key-Square	2	45	1	68-7080	Gear	3	10	1
7-0081	Washer-Special	1	27	2	68-8340	Decal-Torque	2	52	1
7-4150	Washer	4	3	3	68-8560	Gearbox Bracket Assembly	1	30	2
12-3270	Screw-HH	7	11	4	68-8950	Tube w/Valve	6	48	4
14-0909	Deflector Assembly	5	7	1	68-8980	Bushing-Spanner	6	27	4
21-3000	Nut-Jam	6	8	2	68-9890	Cover-Gearbox Front	2	36	1
27-0920	Spindle Shaft Assembly	4	13	3	70-2560	Decal-Lube	2	48	1
27-0950	Spacer-Bearing, Spindle	4	12	3	70-7920	Lock Pin Assembly	7	12	4
27-0960	Bearing Assembly	4	6	3	70-7970	Spring Cover Assembly	7	10	2
27-5970	Spacer-Matched Set	4	7	3	70-8040	Washer-Flat	6	25	4
27-6140	Bushing-Taperlock	1	18	1	70-8101	Counterbalance Assembly	7	*	1
27-8490	Bushing	2	56	1	72-9310	Base-Gearbox	2	37	1
36-1740	Roller-Deck	1	22	2	72-9320	Cover-Deck, Center	5	2	1
40-0340	Shaft-Roller, Rear	1	20	2	72-9360	Cup-Anti Scalp	4	15	3
43-8480	Decal-Danger	2	51	1	72-9370	Shim (.020 in.)	3	11	4
44-6250	Blade	4	14	3	74-0340	Cushion-Rubber	2	55	2
44-6260	V-Belt	1	7	1	82-8820	Baffle-Front, RH (Europe)	5	34	1
44-6300	Idler Plate Assembly	2	44	1	86-8100	Ball Joint	6	7	2
44-6340	Pulley & Hub Assembly	4	4	3	92-1765	Washer-Thrust	6	40	4
44-6390	Spacer	1	24	1	92-3035	Decal-Low HOC	6	50	1
46-3380	Bolt-Shoulder	7	1	4	92-5578	Rear Castor Fork Assembly	6	39	2
51-1530	Hinge Bracket Assembly	5	11	2	92-5581	Ring-Retaining, Internal	6	34	4
51-1550	Spring	5	9	2	92-5583	Washer-Cap	6	35	4
54-9220	Decal-Danger	5	41	1	92-5584	Spring-Compression	6	36	4
55-4300	Decal-Warning	7	9	4	92-5816	Screw-Blade	4	16	3
61-4160	Spindle	4	10	3	92-8761	Decal-Warning	2	50	1
62-3310	Screw-Cap	3	15	8	92-8861	Cap-HOC	6	37	4
62-3330	Cone-Gear	3	12	1	92-8866	Spacer	6	38	12
62-3340	Cup-Bearing	3	14	2	93-6696	Decal-Warning (Europe)	7	9	4
62-3360	Cup-Bearing	3	3	2	93-6697	Decal-Lube (Europe)	2	48	1
62-3370	Cone-Bearing	3	9	2	93-7043	Retainer (Europe)	5	31	3
62-3380	Key	3	8	2	93-7273	Decal-Danger (Europe)	2	47	3
62-3400	Seal	3	13	2	93-7283	Decal-Danger (Europe)	5	28	1
62-3410	Cap	3	16	2	93-7316	Decal-Danger (Europe)	5	41	1
62-3420	Gasket (.015 in.)	3	4	A/R	93-7811	Decal-Warning (Europe)	2	50	1
62-3430	Gasket (.005 in.)	3	5	A/R	93-7815	Decal-Danger (Europe)	2	51	1
62-3440	Gasket (.003 in.)	3	6	A/R	93-7818	Decal-Torque (Europe)	2	52	1
62-3490	Plug-Pipe (Solid)	3	2	4	93-7824	Decal-Discharge (Europe)	2	49	2
62-5570	Bearing-Roller	6	47	4	93-7828	Decal-Danger (Europe)	2	54	1
62-5580	Bearing-Outside	6	46	8	93-8471	Bushing-Square, Rubber	6	41	2
62-6080	Bolt-Shoulder (Europe)	5	36	2	93-9939	Tire-8	6	45	4
63-0070	Spacer	6	33	12	94-1291	Bushing-Special	6	32	4
63-8410	Washer-Flat	2	34	4	98-2330	Pivot Pin Assembly	6	43	2
63-9750	Mount-Rubber	2	35	4	98-7912	Spanner	1	4	1
63-9900	Pulley Assembly-Gearbox	1	19	1	98-7913	Spacer	1	5	1
65-5940	Bushing-Pulley	1	26	2	98-7921	Castor Fork Assembly	6	30	2
65-5950	Bushing-Pulley	1	25	2	98-7944	Mount-Ball Joint	6	5	2
66-1340	Decal-Discharge	2	49	2	99-1252	Skid Assembly	1	16	1
66-1630	Decal-62	2	53	1	99-1255	RH Lift Arm Assembly	6	9	1
66-6380	Decal-Danger	2	54		99-1258	LH Lift Arm Assembly	6	17	1
66-8230	Bracket-Support	7	13	2	99-1263	RH Castor Arm Assembly	6	2	1
66-8390	Spring-Extension	7	6	1	99-1266	LH Castor Arm Assembly	6	15	1
66-8410	Spring-Extension	7	16	1	99-1268	Wheel & Tire Assembly	6	*	4
66-8420	Spring End Assembly	7	2	2	99-1287	Deck Assembly	1	1	1
66-8440	Link	7	4	2	99-1291	Spacer	6	12	4
67-5360	Decal-Danger	2	47	3	99-1294	Cover-Deck, LH	5	1	1
68-2730	Wheel-Gage	1	3	1	99-1297	Idler Socket & Bushing Asm	2	41	1
68-6710	Roller-Deck	1	9	1	99-1298	Spring Cover Assembly	7	7	2
68-6810	Gearbox	1	32	1	99-5152	Baffle-Front, LH (Europe)	5	35	1
68-6840	Shaft-Roller	1	11	1	99-5157	Plate-Reinforcement	5	20	1
68-7030	Housing	3	1	1	99-5158	Block-Tapped	5	26	1
68-7040	Shaft	3	17	1	99-5161	Plate-Stiffener	5	25	1
68-7050	Shaft	3	19	1	99-5163	Cover-Deck, RH	5	3	1

*Not Illustrated

TORO PART NUMBER INDEX (Cont.)

3322-290

Part No.	Description	Pg. No.	Ref. No.	Qty.	Part No.	Description	Pg. No.	Ref. No.	Qty.
99-5172	Decal-Belt Routing	2	57	1	3245-9	Screw-Set	2	46	2
99-5188	Deck Retainer Assembly	5	37	2	3253-21	Washer-Lock	1	29	4
99-8408	Guard-PTO Shaft (Europe)	5	27	1	3253-21	Washer-Lock (Europe)	5	29	2
249-21	Latch-Draw, Slotted	5	15	5	3256-24	Washer-Flat	7	3	4
253-139	Seal-Oil	4	5	6	3256-24	Washer-Flat	4	9	A/R
256-268	Bushing-Flange	6	16	4	3256-27	Washer-Flat	2	42	1
283-69	Pin-Clevis	7	8	2	3256-27	Washer-Flat (Europe)	5	39	2
302-2	Fitting-Grease	4	1	3	3257-5	Key-Woodruff	1	31	1
302-5	Fitting-Grease	6	1	4	3272-11	Pin-Cotter	1	21	2
302-11	Fitting-Grease	6	49	1	3272-12	Pin-Cotter	6	18	2
321-8	Screw-HH (Europe)	5	32	3	3272-19	Pin-Cotter	6	44	2
323-2	Screw-HH (Europe)	5	30	2	3290-317	Washer-Wave (Europe)	5	38	2
323-4	Screw-HH	1	14	6	3290-321	Screw-HH	5	16	10
323-6	Screw-HH	5	23	2	3290-355	Pin-Hair	7	15	2
323-23	Screw-HH	1	6	1	3290-357	Nut-Flange	5	6	4
324-12	Screw-HH	6	3	4	3290-357	Nut-Flange	1	13	8
325-17	Screw-HH	5	10	2	3296-5	Nut-Lock	1	28	2
325-19	Screw-HH	6	28	2	3296-28	Nut-Lock NI (Europe)	5	40	2
325-22	Screw-HH	6	42	2	3296-33	Nut-Lock	2	43	1
3211-8	Screw-HH	2	39	1	3296-39	Nut-Lock NI	5	21	4
3211-9	Screw-HH	1	17	1	3296-44	Nut-Lock	7	5	4
3231-10	Bolt-Carriage	6	21	12	3296-56	Nut-Lock NI (Europe)	5	33	3
3231-22	Bolt-Carriage	4	8	18	32128-17	Nut-Lock	5	14	10
3231-22	Bolt-Carriage	1	15	2	32128-19	Nut-Hex. Flange	1	2	4
3231-22	Screw-Carriage	5	19	2	32128-19	Nut-Hex. Flange	6	19	12
3231-26	Bolt-Carriage	1	23	4	32128-20	Nut-Lock Flange	5	18	6
3231-27	Screw-Carriage	1	10	4	32128-21	Nut-Lock HFH	4	11	18
3231-27	Screw-Carriage	5	13	4	32128-23	Nut-Lock, Flange	6	29	4
3234-5	Screw-HFH	5	17	6	32128-42	Nut-Lock	6	6	4
3234-11	Screw-Flange	7	14	4	32146-20	Nut-Lock	4	2	3
3234-11	Screw-HFH	5	22	2	32153-2	Nut-Lock	1	33	4
3234-11	Screw-HHF	1	12	1	32153-5	Nut-Lock	5	5	2

*Not Illustrated

PRODUCT CHANGES

In an effort to make improvements available to TORO owners as quickly as possible, minor changes are incorporated into Toro's products from time to time that do not become immediately shown in the Parts Catalog. If such a change has been made in your unit, which is not reflected in your manual, see your TORO Distributor or his Authorized TORO Service Dealer for information and part numbers.

IDENTIFICATION AND ORDERING

MODEL AND SERIAL NUMBERS

The 62" Side Discharge Deck has two identification numbers; a model number and a serial number. The two numbers are stamped on a plate which is located on the left rear of the deck. In any correspondence concerning the 62" Side Discharge Deck, supply model and serial numbers to assure that correct information and replacement parts are obtained.

To order replacement parts from an Authorized TORO Service Dealer, supply the following information:

1. Model and serial number of the 62" Side Discharge Deck.
2. Part number, description, and the quantity of part(s) desired.

NOTE: Do not order by reference number if a parts catalog is being used; use the PART NUMBER.

TABLE OF CONTENTS

Description	Page	Description	Page
Roller & Drive Assembly	1-2	Lift Arm & Castor Arm Assembly	6
Gear Box Assembly No. 68-6810	3	Counterbalance Assembly	7
Spindle & Blade Assembly	4	TORO Part Number Index	8-9
Covers & Deflector Assembly	5		

