



Z-Master™

**250 Series**

**Z255**

**with 62" Side  
Discharge Mower**

Model No. 74203 – 990001 & Up

---

**Parts Catalog**

## ORDERING REPLACEMENT PARTS

To order replacement parts, please supply: the part number, the quantity, and the description of each part desired.

## Contents

Description	Page	Description	Page
Front Frame Assembly .....	1	Shields And Clutch Assembly .....	9
Caster And Wheel Assembly .....	2	Idler Assembly .....	10
Rear Frame And Wheel Assembly .....	3	Electrical System Assembly .....	11
Brake And Wheel Hub Assembly .....	4	Frame And Deck Assembly .....	12
Control Panel Assembly .....	5	Cover And Rollers Assembly .....	13
Hydraulic System Assembly .....	6	Deflector, Spindle And Pulley Assembly .....	14
Hydraulic System Assembly (Continued) .....	7	Baffle And Belt Assembly .....	15
Tank And Fuel Lines Assembly .....	8		

## Part Description Abbreviations

Part descriptions in this catalog may include the following abbreviations.

Abbreviation	Meaning	Abbreviation	Meaning
AR .....	as required	HWHTF .....	hex washer head thread forming
ASM .....	assembly	INC .....	incorporated
CARR .....	carriage	LH .....	left hand
DEG .....	degrees	PH .....	pan head
FH .....	flat head	PPH .....	Phillips pan head
GA .....	gauge	PTO .....	power take off
HF .....	hex flange	RH .....	right hand
HFW .....	hex flange washer	SFH .....	slotted fillister head
HH .....	hex head	SH .....	square head
HHF .....	hex head flange	SHWH .....	slotted hex washer head
HHST .....	hex head self tapping	SPH .....	slotted pan head
HJ .....	hex jam	STD .....	standard
HOC .....	height-of-cut	TAP .....	self tapping
HS .....	hex socket	TH .....	truss head
HSBH .....	hex socket button head	TTH .....	Torx truss head
HSFH .....	hex socket flat head	WH .....	wing head
HSH .....	hex socket head		
HWH .....	hex washer head		

## Important Format Explanations

This catalog uses special formats to convey information in illustrations and parts lists. Specifically, one format is used in conjunction with service assemblies and another with quantities associated with reference numbers.

### Service Assemblies

Parts within service assemblies have reference numbers in the form X:Y. X is the reference number of the service assembly and Y is a sequential number unique to each part within the service assembly.

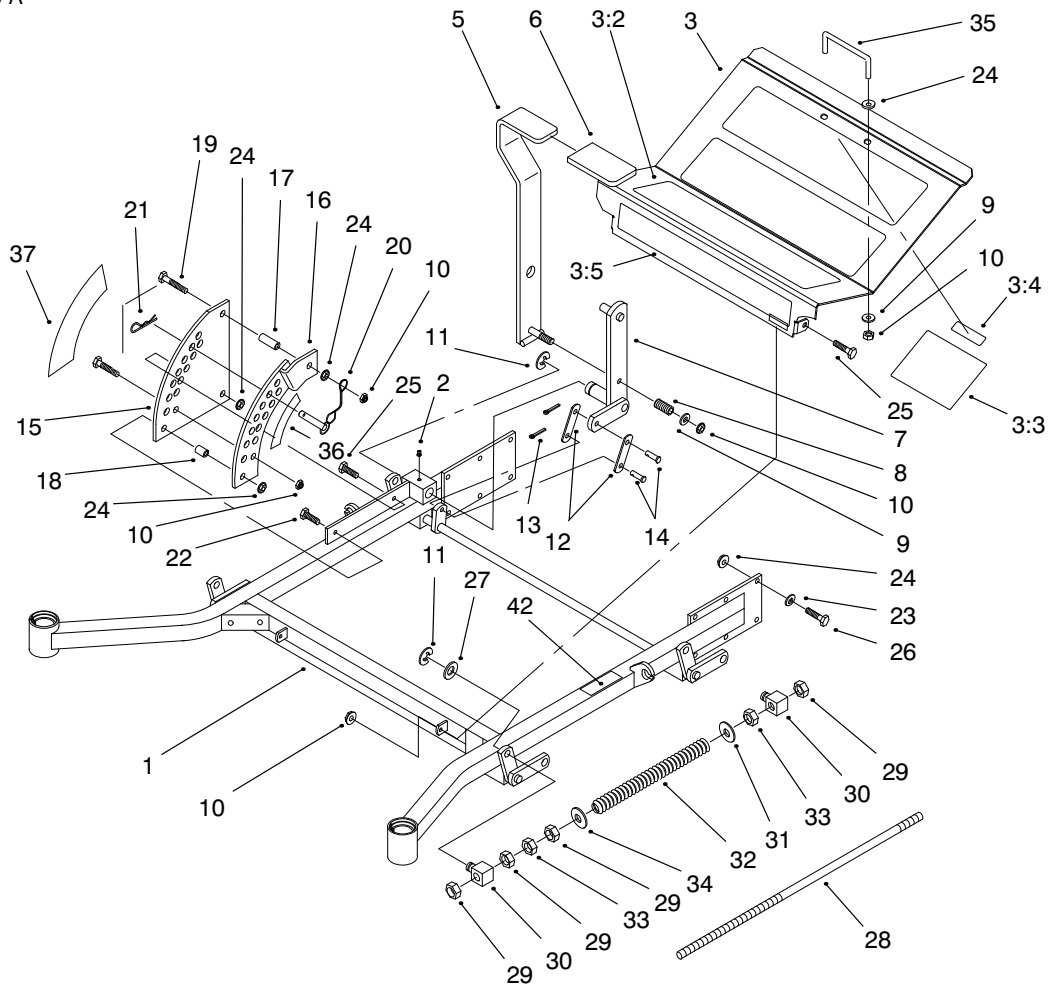
For example, a wheel assembly might be identified by reference number 6, the tire by 6:1, the valve by 6:2, and the wheel by 6:3. When you order the assembly identified by reference number 6, you receive all parts identified by reference numbers 6:1, 6:2, and 6:3. However, you may also order any part individually.

Reference numbers of this type appear in part lists and as callouts in illustrations.

## **Reference Numbers with Quantities**

Illustrations may have a quantity in parentheses next to a reference number, in the form  $X (Y)$ .  $X$  is the reference number.  $Y$  in parentheses is the quantity of the part identified by the reference number.

For example, the illustration callout 4 (2) indicates that two parts are used in that instance.



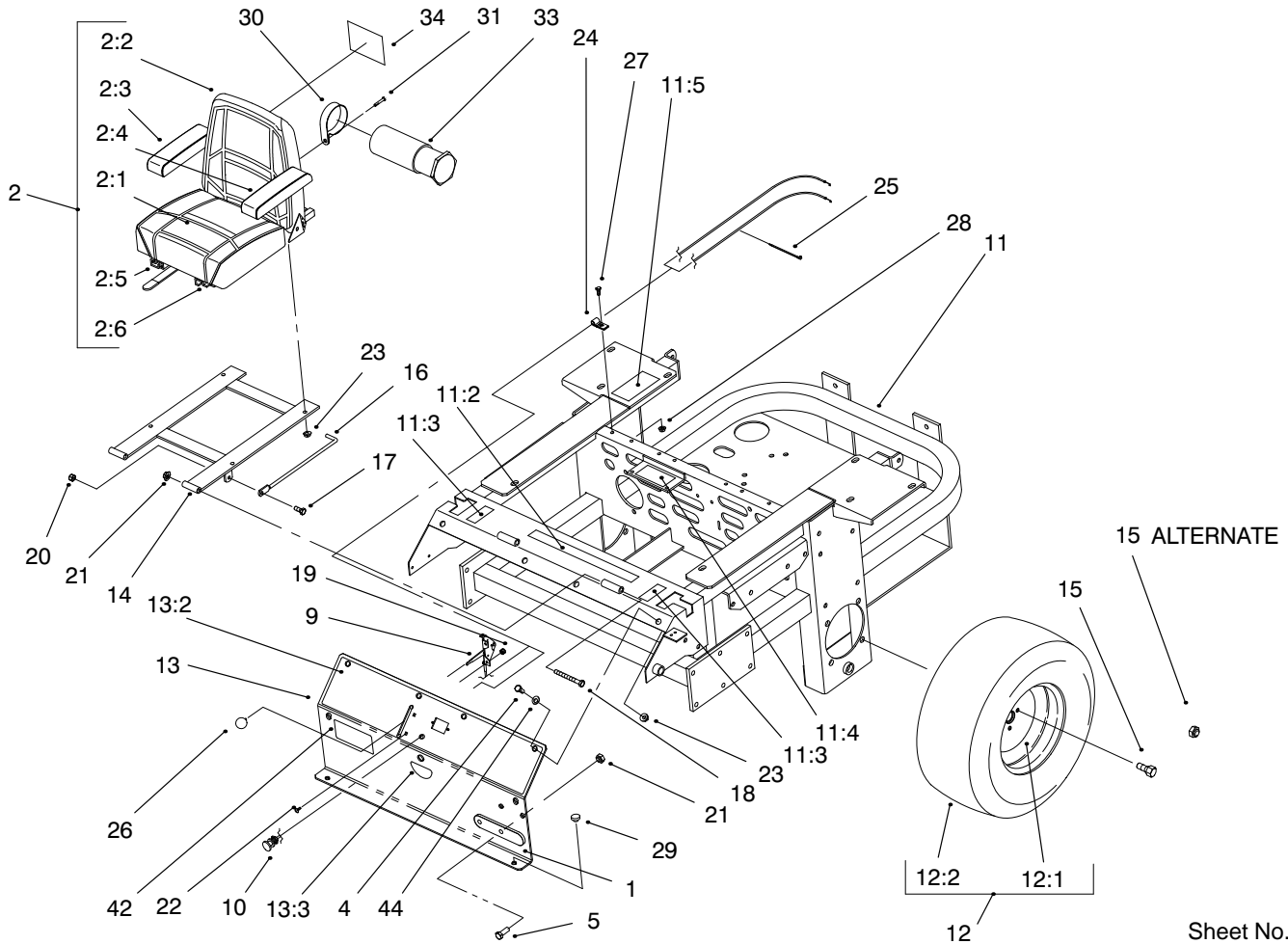
Sheet No.:2

## Front Frame Assembly

Ref. No.	Part No.	Qty.	Description
1	E634860	1	Front Frame ASM
2	320-19	5	Fitting-Grease
3	99-4622	1	Floorpan ASM
3:2	E633553	3	Pad-Anti skid
3:3	E633766	1	Decal-Service
3:4	98-5954	1	Decal-Cover Missing
3:5	E633737	1	Decal-Z-Master
5	E632324	1	Lever-Lift
6	E633295	1	Grip-Lift Lever
7	E632219	1	Arm-Deck Lift
8	E633325	1	Spring-Compression
9	3256-24	3	Washer-Flat
10	32146-2	7	Nut-Hex Lock
11	E808505	5	Ring-Retaining
12	E633068	2	Arm-Deck Lift
13	3272-10	2	Pin-Cotter
14	E808284	2	Pin-Clevis
15	E633889	1	Plate-Deck Lift
16	E632899	1	Plate-Deck Lift
17	E633082	1	Bushing
18	E633080	1	Bushing
19	323-13	1	Screw-HH
20	E633097	1	Hitch Pin w/Lanyard
21	E806005	1	Hairpin
22	323-9	2	Screw-HH
23	E303327	12	Washer-Lock

Ref. No.	Part No.	Qty.	Description
24	3290-357	17	Nut-Lock Flange
25	323-6	3	Screw-HH
26	323-7	12	Screw-HH
27	3256-29	4	Washer-Flat
28	E633096	2	Rod-Deck Lift
29	3217-11	8	Nut
30	E633441	4	Swivel-Deck Mount
31	3256-7	2	Washer-Flat
32	E633064	2	Spring-Deck Support
33	3218-6	4	Nut-Hex Jam
34	3256-7	2	Washer-Flat
35	E633587	1	Handle
36	E633706	1	Decal-HOC
37	E633345	1	Decal-HOC
42	E633818	1	Decal



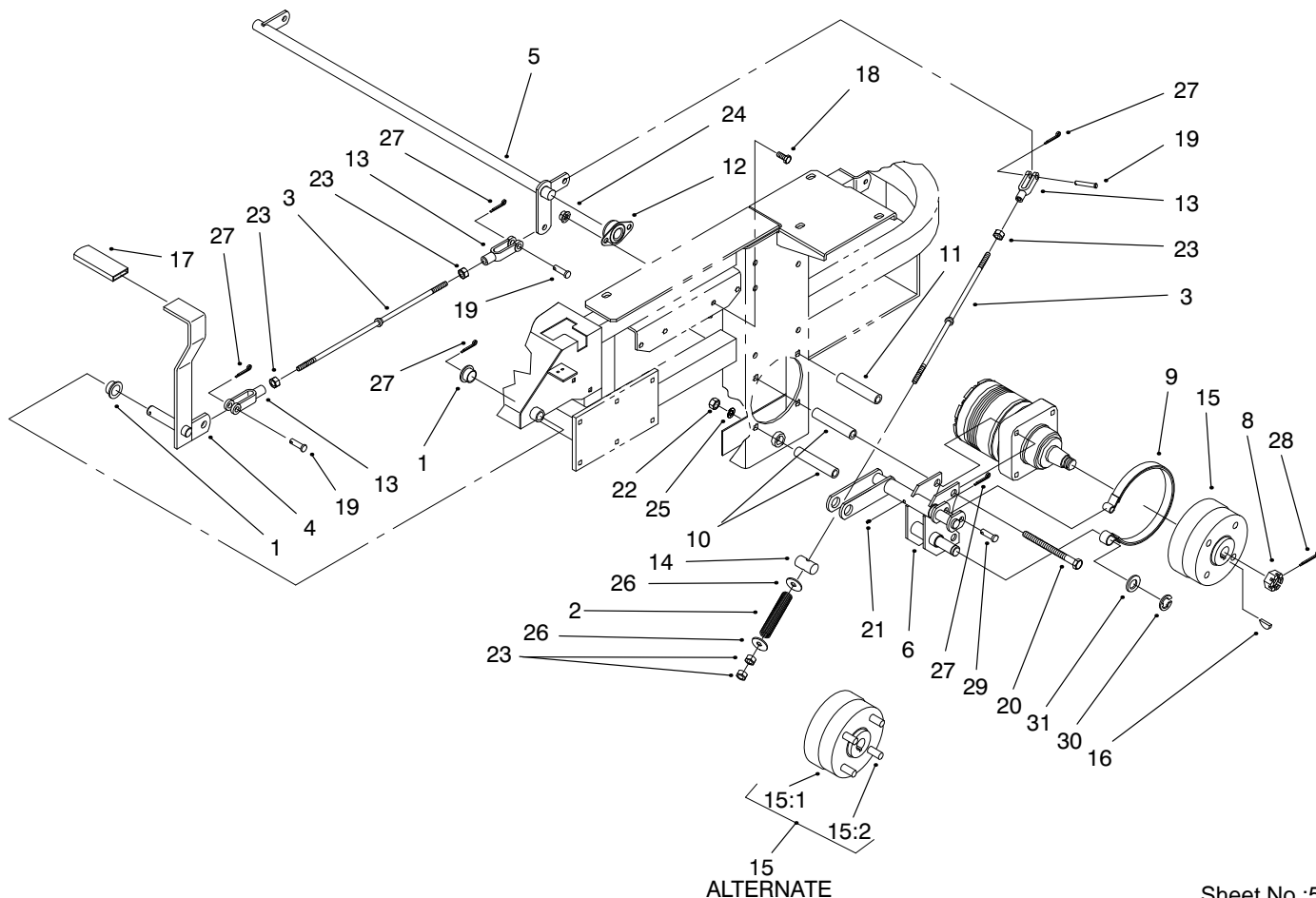


Sheet No.:4

## Rear Frame And Wheel Assembly

Ref. No.	Part No.	Qty.	Description
1	E633964	1	Stop-Park Brake
2	E633705	1	Seat/Armrest ASM
2:1	E543407	1	Cushion-Seat
2:2	E633709	1	Cushion-Seat Back
2:3	E633710	1	Armrest-RH
2:4	E633711	1	Armrest-LH
2:5	E543401	4	Spacer-Track
2:6	E523428	1	4" Locking Track Set
4	322-3	8	Screw-HH
5	323-6	2	Screw-HH
9	E633696	1	Cable
10	E603336	1	Cable-Choke
11	99-4624	1	Frame ASM
11:2	E513747	1	Decal-Warning
11:3	E633354	2	Decal-Motion Control
11:4	E513929	1	Decal-Drive Release
11:5	E633771	1	Decal-Pump Belt
12	E633007	2	Wheel & Tire ASM
12:1	E633009	2	Wheel
12:2	E633008	2	Tire
13	99-4623	1	Console ASM
13:2	99-4611	1	Decal-Control Panel
13:3	E633346	1	Decal-Fuel Valve
14	E632187	1	Frame-Seat
15	E513011	8	Nut
15	E633273	8	Wheel Bolt

Ref. No.	Part No.	Qty.	Description
16	E633293	1	Rod-Seat Holdup
17	322-5	1	Screw-HH
18	323-21	2	Screw-HH
19	32146-18	2	Nut-Lock
20	32146-4	2	Nut-Lock
21	32146-2	4	Nut-Hex Lock
22	E807513	2	Bolt-CARR
23	32128-20	12	Nut-Lock
24	E513762	1	Clip
25	E303335	1	Tie-Plastic
26	E513592	1	Knob
27	321-4	1	Screw-HH
28	32128-33	1	Nut-Hex Flange
29	E513658	2	Bumper
30	2412-120	2	Clamp-R
31	E803060	2	Screw
33	74-0720	1	Tube-Manual
34	93-7340	1	Decal-Toro
42	E633736	1	Decal-Z255
44	3256-23	6	Washer-Flat



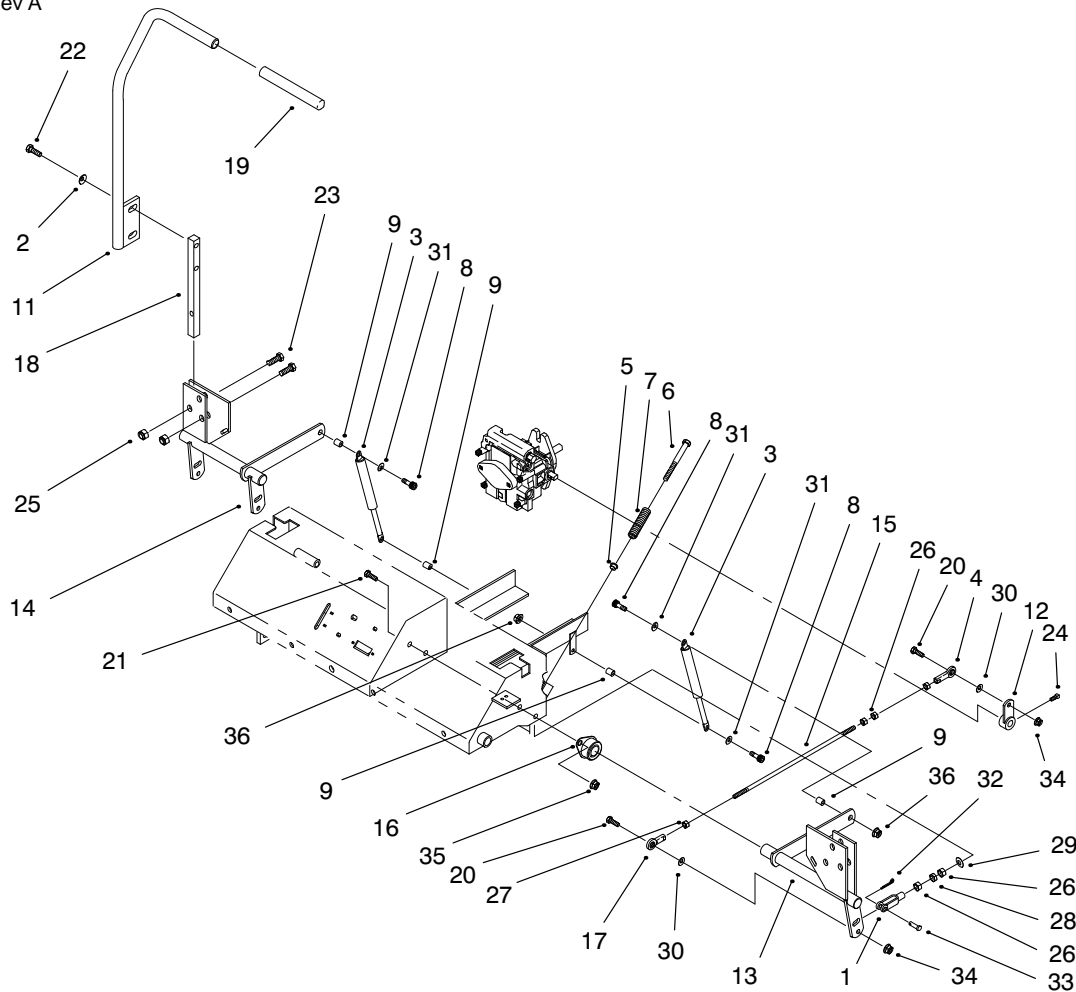
Sheet No.:5

## Brake And Wheel Hub Assembly

Ref. No.	Part No.	Qty.	Description
1	E513140	2	Bearing
2	E633454	2	Spring-Brake
3	E633477	3	Rod-Brake
4	E632489	1	Lever-Brake
5	E632217	1	Shaft-Brake
6	E632712	1	Brake Bracket-LH
*7	E632713	1	Brake Bracket-RH
8	E809036	2	Nut
9	E633693	2	Brake Band
10	E633060	4	Spacer
11	E633062	4	Spacer
12	E633102	2	Bearing-Side Flange
13	E633131	4	Yoke-Brake Linkage
14	E633144	2	Pin-Trunnion
15	E633548	2	Hub-Wheel
15	E634927	2	Wheel Hub w/Studs
15:1	E633980	2	Hub
15:2	E633926	8	Stud-Wheel
16	E807020	2	Key-Woodruff
17	E633268	1	Grip-Brake Lever
18	323-4	4	Screw-HH
19	E808285	4	Pin-Clevis
20	325-20	8	Screw-HH
21	302-19	2	Fitting-Grease
22	3217-9	8	Nut-HH
23	3219-3	8	Nut-Hex

Ref. No.	Part No.	Qty.	Description
24	3290-357	4	Nut-Lock Flange
25	3253-7	8	Washer-Lock
26	3256-4	4	Washer-Flat
27	3272-10	7	Pin-Cotter
28	E806800	2	Pin-Cotter
29	E808283	2	Pin-Clevis
30	E808514	2	E Ring Retainer
31	E805269	2	Washer

\* Not Illustrated



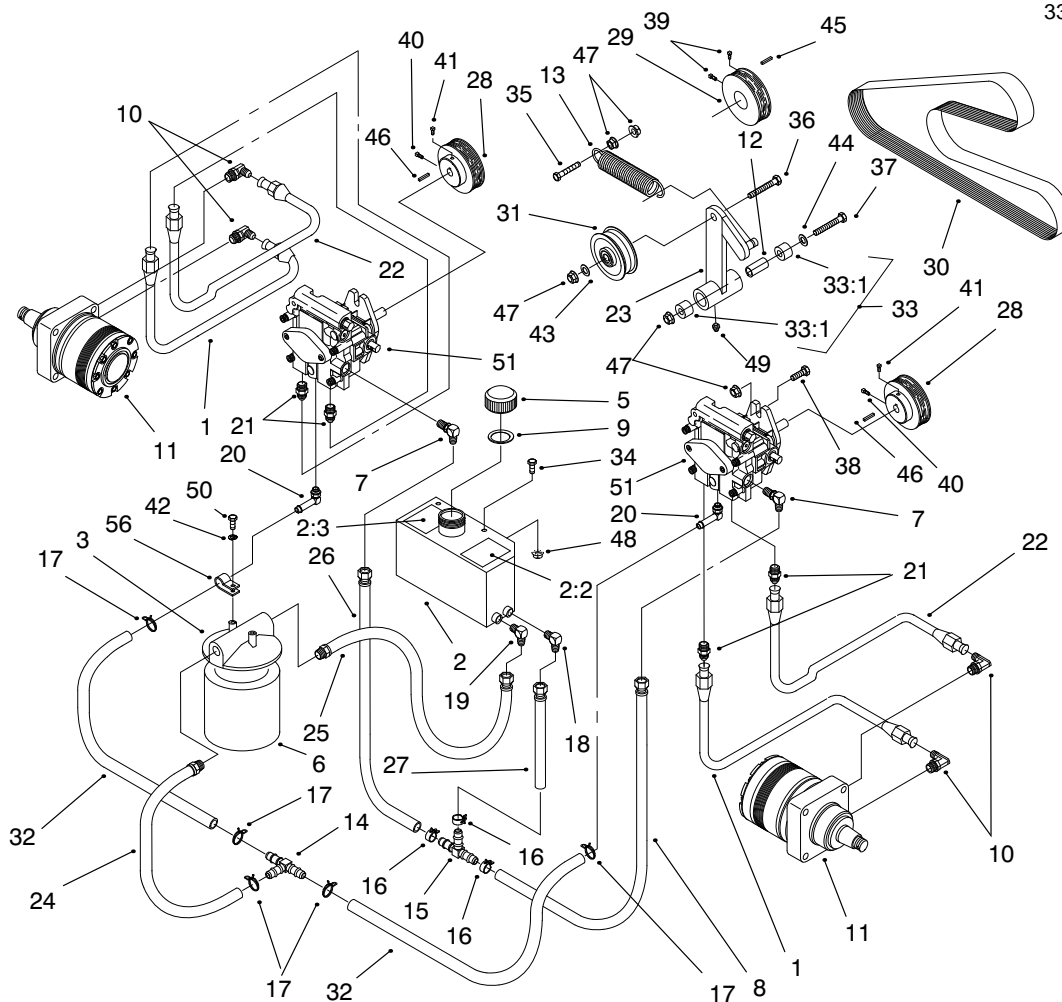
Sheet No.:6

## Control Panel Assembly

Ref. No.	Part No.	Qty.	Description
1	E303105	2	Yoke
2	E303327	4	Washer-Lock
3	E523027	2	Damper
4	E543017	2	Ball Joint
5	E603735	2	Bushing
6	E603737	2	Bolt
7	E603807	2	Spring
8	E809057	4	Screw-HSH
9	E603903	4	Spacer
*10	E632191	1	Lever-Control LH
11	E632193	1	Lever-Control RH
12	E632208	2	Arm-Pump Control
13	E632911	1	Motion Control
14	E632912	1	Motion Control
15	E633153	2	Linkage
16	E633102	4	Bearing-Side Flange
17	E633152	2	Ball Joint LH
18	E633177	2	Arm
19	E633257	2	Grip
20	322-6	4	Screw-HH
21	323-4	8	Screw-HH
22	323-6	4	Screw-HH
23	323-9	6	Screw-HH
24	E803022	2	Screw-Set
25	32146-2	6	Nut-Hex Lock
26	3219-2	10	Nut

Ref. No.	Part No.	Qty.	Description
27	E804524	2	Nut
28	3220-2	2	Nut-Jam
29	3256-2	2	Washer-Flat
30	3256-3	4	Washer-Flat
31	3256-23	4	Washer-Flat
32	3272-5	2	Pin-Cotter
33	E808280	2	Pin-Clevis
34	32128-20	4	Nut-Lock
35	3290-357	8	Nut-Lock Flange
36	32128-33	4	Nut-Hex Flange

\* Not Illustrated



Sheet No.:7

## Hydraulic System Assembly

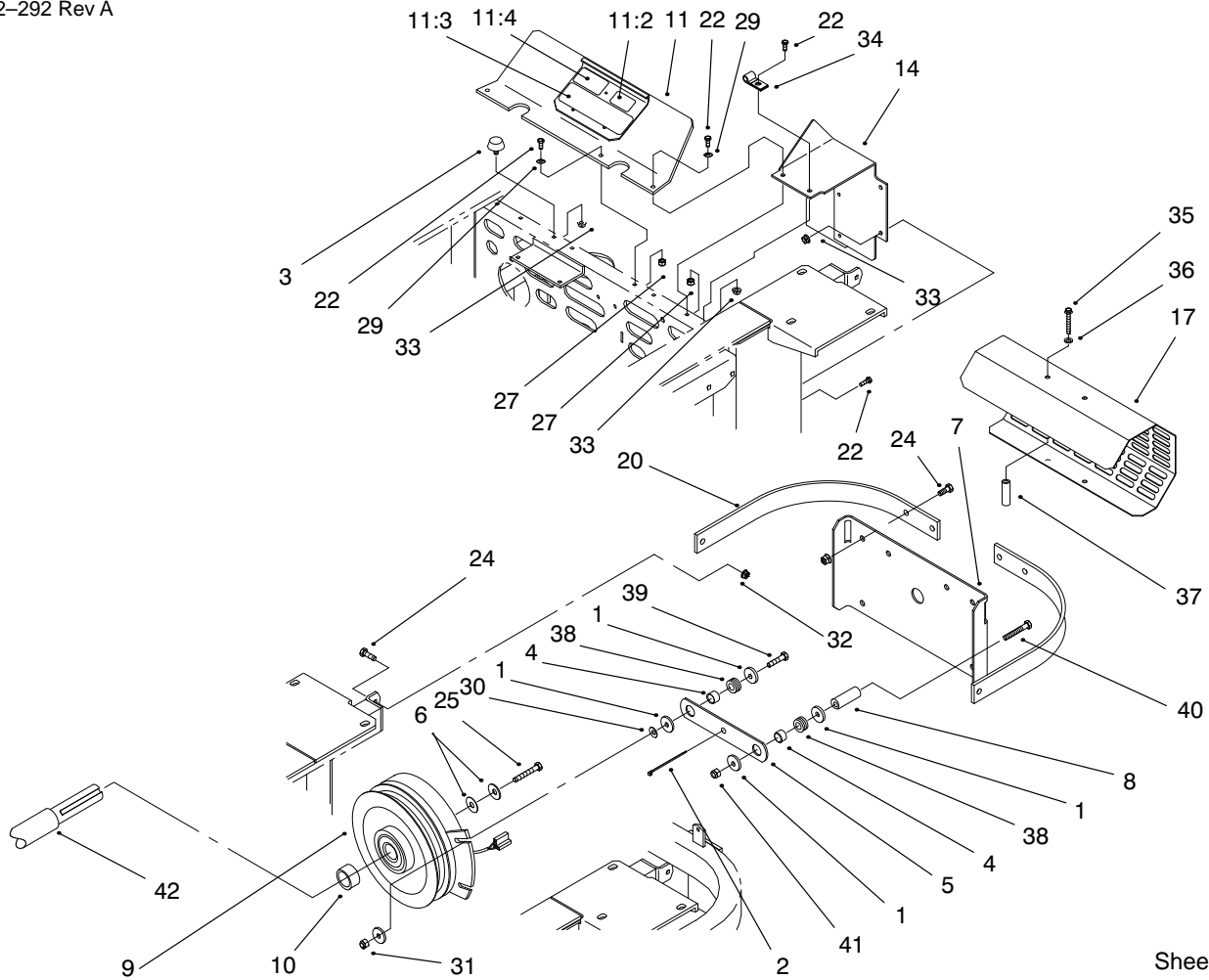
Ref. No.	Part No.	Qty.	Description
1	E633776	2	Hose
2	99-4625	1	Hydraulic Tank ASM
2:2	65-2690	1	Decal-Hot Surface
2:3	E513890	1	Decal-Hydraulic Tank
3	E513006	1	Filter Head
5	E513167	1	Cap
6	E633750	1	Filter-Hydro
6	E633752	1	Filter-Winter Hydro
7	E513840	2	Elbow
8	E522217	1	Hose ASM-Low Pressure
9	E523103	1	Gasket
10	E633786	4	Elbow 90°
11	E523328	2	Motor-Wheel
*11:1	E000099	2	Kit-Seal
*11:2	E807020	2	Key-Woodruff
*11:3	E000139	2	Kit-Bearing
*11:4	E809036	2	Nut
12	E603384	1	Bushing
13	E603413	1	Spring-Extension
14	E603721	1	Fitting-Tee
15	E603722	1	Fitting-Tee
16	E603826	3	Clamp-Hose
17	E603827	5	Clamp-Hose
18	E603987	1	Elbow
19	E603988	1	Elbow

Ref. No.	Part No.	Qty.	Description
20	E603989	2	Elbow
21	E603990	4	Adapter
22	E633777	2	Hose
23	E632201	1	Arm-Pump Idler
24	E632281	1	Hose ASM-Low Pressure
25	E632282	1	Hose ASM-Low Pressure
26	E632285	1	Hose ASM-Low Pressure
27	E632286	1	Hose ASM-Low Pressure
28	E633568	2	Sheave
29	E633567	1	Sheave
30	E633749	1	Belt
31	E633167	1	Pulley-Idler
32	E633335	2	Hose-Low Pressure
33	E634277	1	Arm ASM
33:1	E513034	2	Bearing-Pivot
34	321-4	2	Screw-HH
35	323-8	1	Screw-HH

\* Not illustrated







Sheet No.:9

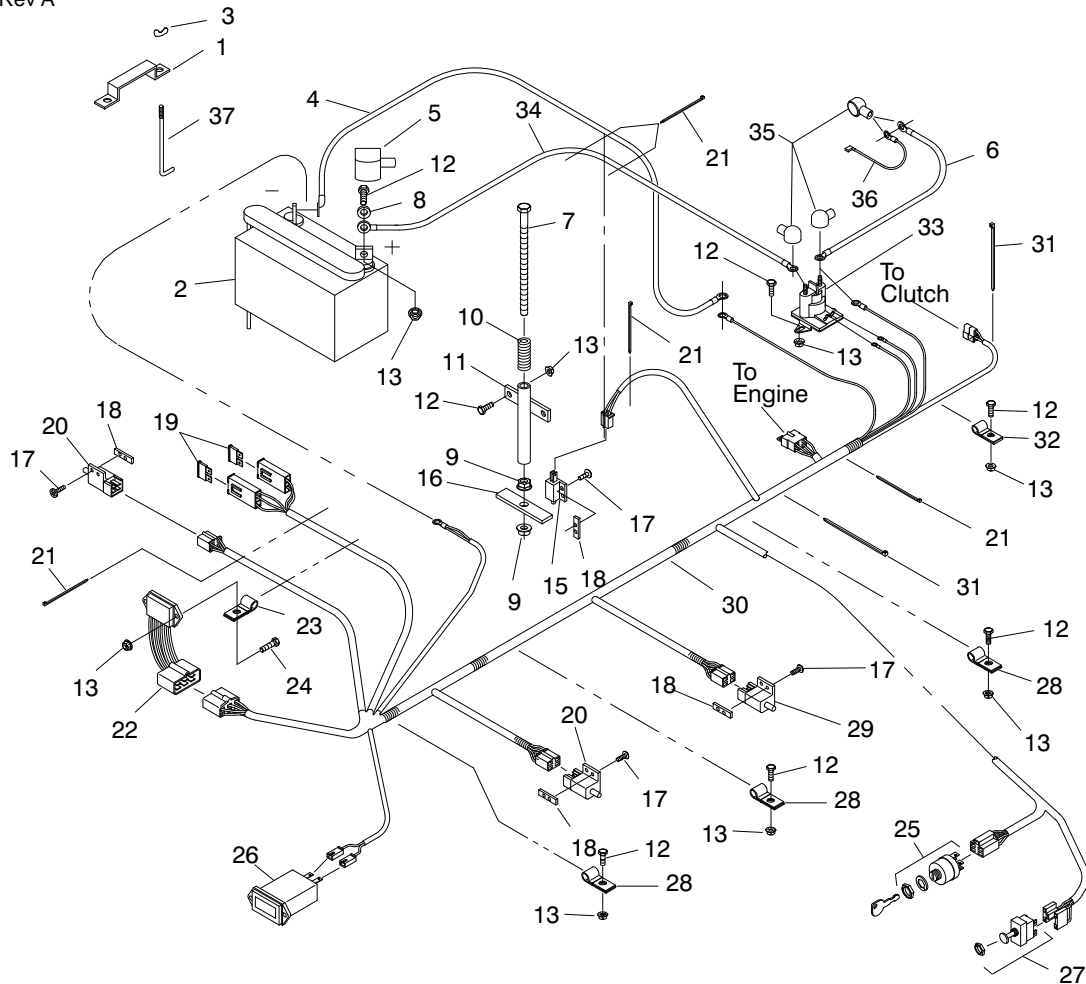
## Shields And Clutch Assembly

Ref. No.	Part No.	Qty.	Description
1	E613235	4	Washer
2	E303335	1	Tie-Plastic
3	E523420	2	Bumper
4	E633545	2	Spacer-Grommet
5	E633543	1	Strap-Clutch
6	E603610	2	Disc-Spring
7	E633615	1	Guard
8	E633988	1	Spacer
9	E633099	1	Clutch
10	E633179	1	Spacer
11	E634862	1	Shield ASM
11:2	E513748	1	Decal-Guard
11:3	E303517	1	Decal-Belt Drive
11:4	E633462	1	Decal-Important
14	E634796	1	Shield-LH
17	E633466	1	Guard-Muffler
*18	E634797	1	Shield-RH
20	E633613	2	Bracket-Guard
22	321-4	10	Screw-HH
24	323-6	6	Screw-HH
25	3212-10	1	Screw
27	32146-17	4	Nut-Lock
29	3256-2	4	Washer-Flat
30	3256-3	1	Washer-Flat
31	32128-20	1	Nut-Lock
32	3290-357	4	Nut-Lock Flange

Ref. No.	Part No.	Qty.	Description
33	32128-33	7	Nut-Hex Flange
34	E633396	1	Clip
35	E809076	2	Screw-HH
36	E323235	2	Washer-Spring
37	E323236	2	Spacer
38	E633630	2	Grommet
39	322-6	1	Screw-HH
40	E800284	1	Screw
41	3296-29	1	Nut-Lock
42	E633830	1	Kohler Command Ch25

\* Not Illustrated





27 Sheet No.:11

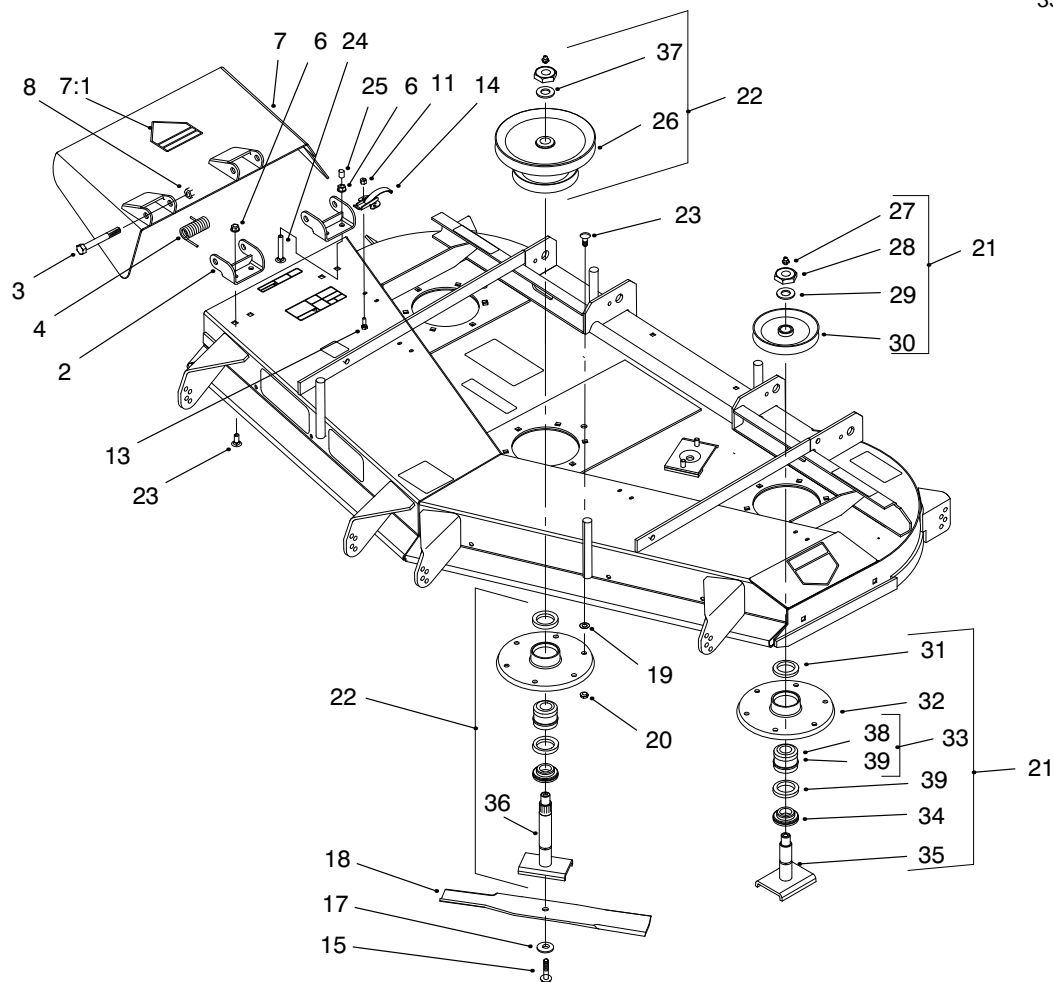
## Electrical System Assembly

Ref. No.	Part No.	Qty.	Description
1	E633652	1	Strap-Hold Down
2	E603479	1	Battery
3	E543792	2	Wingnut
4	E633307	1	Wire-Ground
5	E543391	1	Insulator-Battery
6	E633306	1	Wire-Starter
7	E800282	1	Screw
8	3256-2	2	Washer-Flat
9	32128-20	2	Nut-Lock
10	E523415	1	Spring
11	E522424	1	Mount-Spring
12	321-4	8	Screw-HH
13	32128-33	11	Nut-Hex Flange
15	E513152	1	Switch-Seat
16	E513180	1	Actuator-Switch
17	E803028	8	Screw
18	E633181	4	Plate
19	E816001	2	Fuse-20 Amp
20	E633111	2	Switch-Drive Lever
21	E303287	5	Tie-Plastic
22	E543316	1	Module-Interlock
23	E513762	1	Clip
24	321-6	1	Screw-HH
25	E543070	1	Switch-Ignition
26	E513374	1	Meter-Hour
27	E633673	1	Switch-PTO

Ref. No.	Part No.	Qty.	Description
28	E633396	3	Clip
29	E633110	1	Switch-Brake
30	E643119	1	Harness
31	E303335	2	Tie-Plastic
32	E323229	1	Clip
33	E513075	1	Switch-Solenoid
34	E523281	1	Wire-Starter
35	E543393	3	Insulator-Solenoid
36	E543084	1	Wire-Starter Solenoid
37	E633651	2	Bolt-Battery







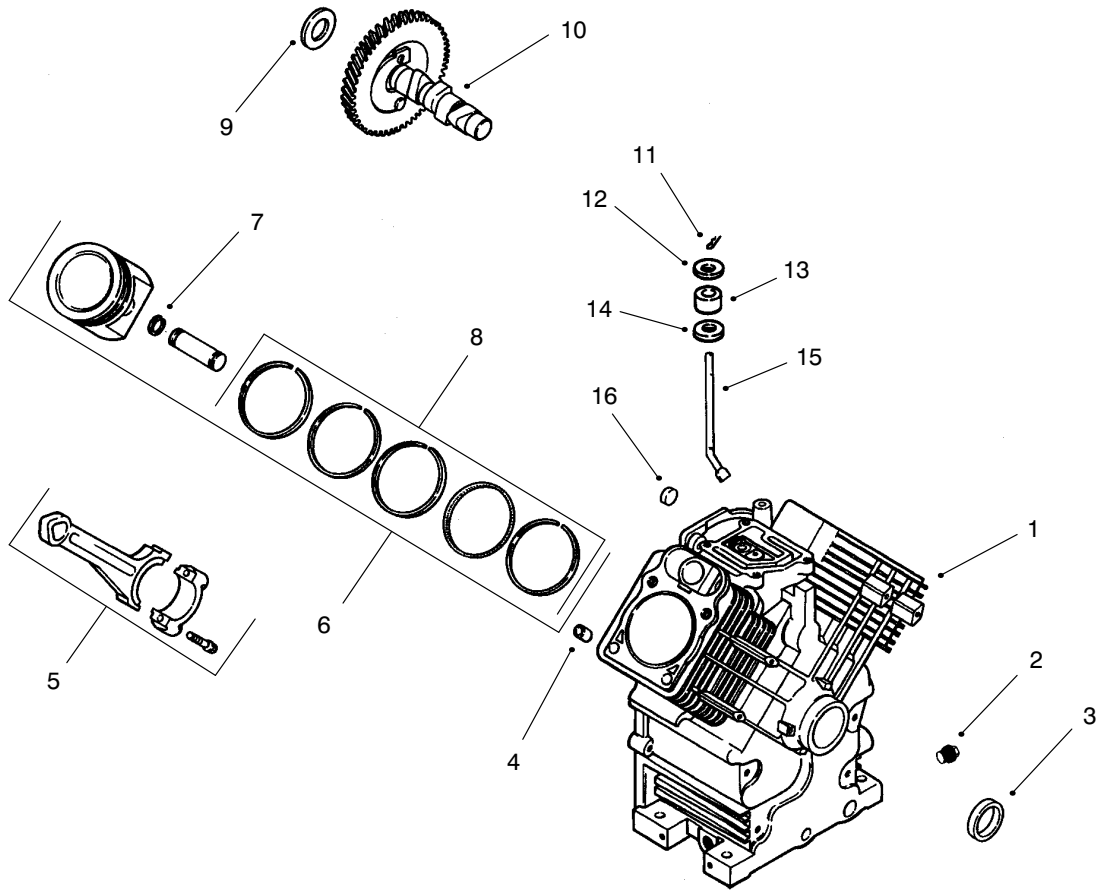
Sheet No.:33

## Deflector, Spindle And Pulley Assembly

Ref. No.	Part No.	Qty.	Description	Ref. No.	Part No.	Qty.	Description
2	51-1530	2	Bracket-Hinge	30	99-4614	2	Pulley & Hub
3	325-17	2	Screw-HH	31	253-139	6	Seal-Oil
4	51-1550	2	Spring	32	61-4160	3	Spindle-52"
6	3290-357	4	Nut-Lock Flange	33	46-8530	3	Bearing ASM (Incl. Ref.#38,39)
7	14-0909	1	Deflector w/Decal	34	27-0950	3	Spacer-Bearing
7:2	54-9220	1	Decal-Danger	35	27-0920	2	Shaft-Spindle
8	32153-5	2	Nut-Lock	36	51-3551	1	Spindle-Shaft
11	32128-17	8	Nut-Lock	37	92-5836	1	Washer
13	3290-321	8	Screw-HH	38	27-0960	3	Bearing ASM
14	249-21	4	Latch	39	27-5970	3	Spacer-Matched Set
15	92-5816	3	Screw - Blade				
17	E513435	3	Washer-Spring				
18	44-6250	3	Blade				
19	3256-24	1	Washer-Flat				
20	32128-21	18	Nut-HHF				
21	44-6370	2	Spindle Housing ASM (Incl. Ref.#27-35)				
22	98-3755	1	Spindle Housing ASM (Incl. Ref.#26-39)				
23	3231-22	21	Bolt-CARR				
24	3231-33	1	Bolt-CARR				
25	105316	1	Cap-Rod				
26	98-3754	1	Pulley & Hub				
27	302-2	3	Fitting-Grease				
28	32146-20	3	Nut-Lock				
29	7-4150	2	Washer				





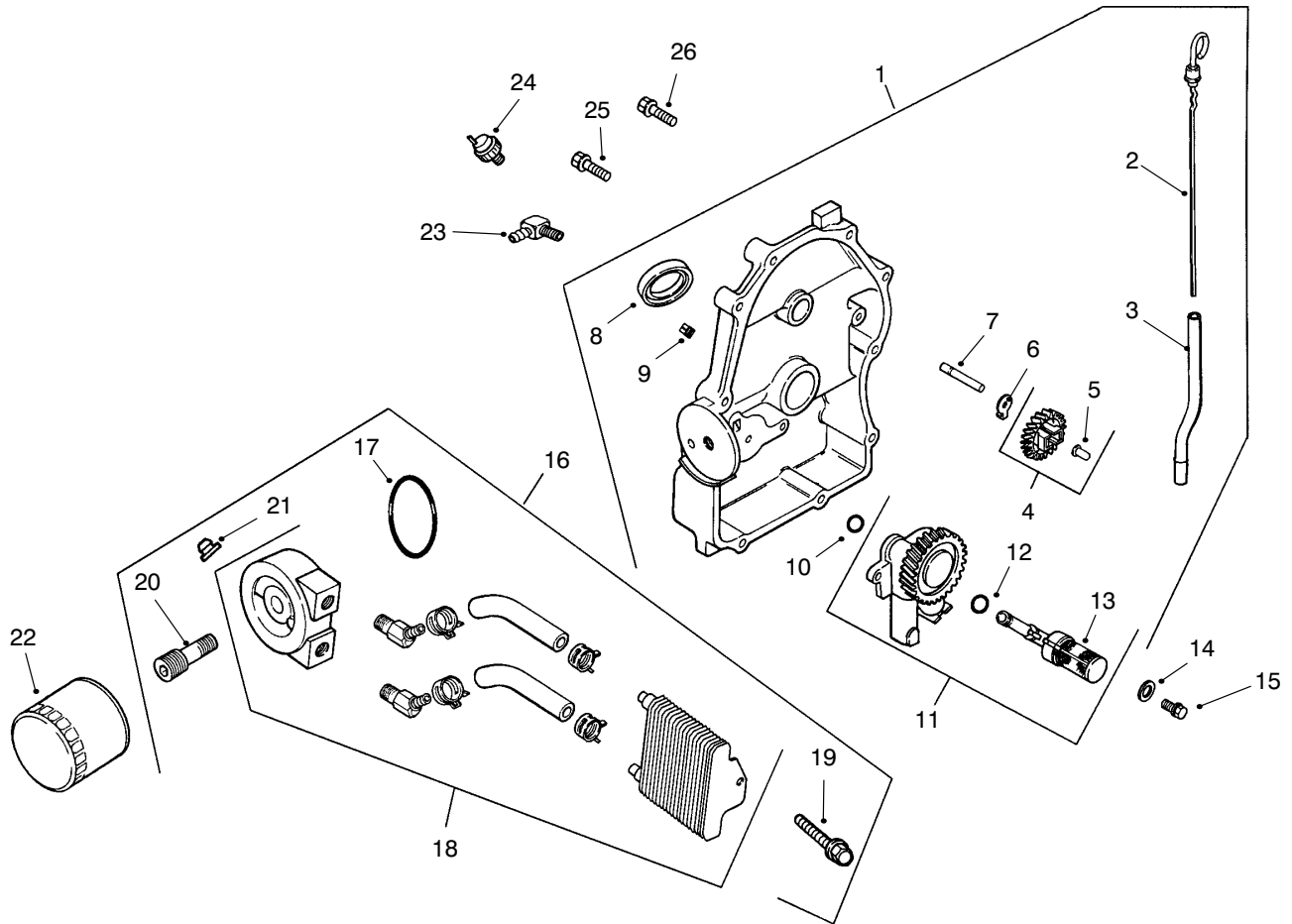


## Group 2 – Crankcase (CH25S 68606 Kohler)

Ref. No.	Part No.	Description	No. Used
1	24 561 33	Cylinder Block (Includes 2,4,16,17)	1
2	X-75-10	Plug, drain	2
3	24 032 01	Seal, oil front	1
4	12 380 17	Pin, dowel locating	6
5	24 067 13	Connecting Rod (Std.)	2
	24 067 14	Connecting Rod (.25)	2
6	24 874 06	Piston w/Ring Set (Std.)	2
7	24 018 01	Retainer, piston pin	4
8	24 108 04	Ring Set (Std.)	2
9	12 422 09	Shim, camshaft – red	A/R
	12 422 13	Shim, camshaft – black	A/R
	12 422 07	Shim, camshaft – white	A/R
	12 422 08	Shim, camshaft – blue	A/R

Ref. No.	Part No.	Description	No. Used
	12 422 10	Shim, camshaft – yellow	A/R
	12 422 11	Shim, camshaft – green	A/R
	12 422 12	Shim, camshaft – gray	A/R
10	24 012 10	Camshaft	1
11	12 380 04	Pin, hitch	1
12	M-0631005	Washer, flat	1
13	12 032 01	Seal, governor cross shaft	1
14	X-25-102	Washer, plain	1
15	24 144 01	Shaft, governor cross	1
16	52 139 09	Plug, cup	1
17	24 113 56	<b>Not Illustrated</b> Decal, Service	1

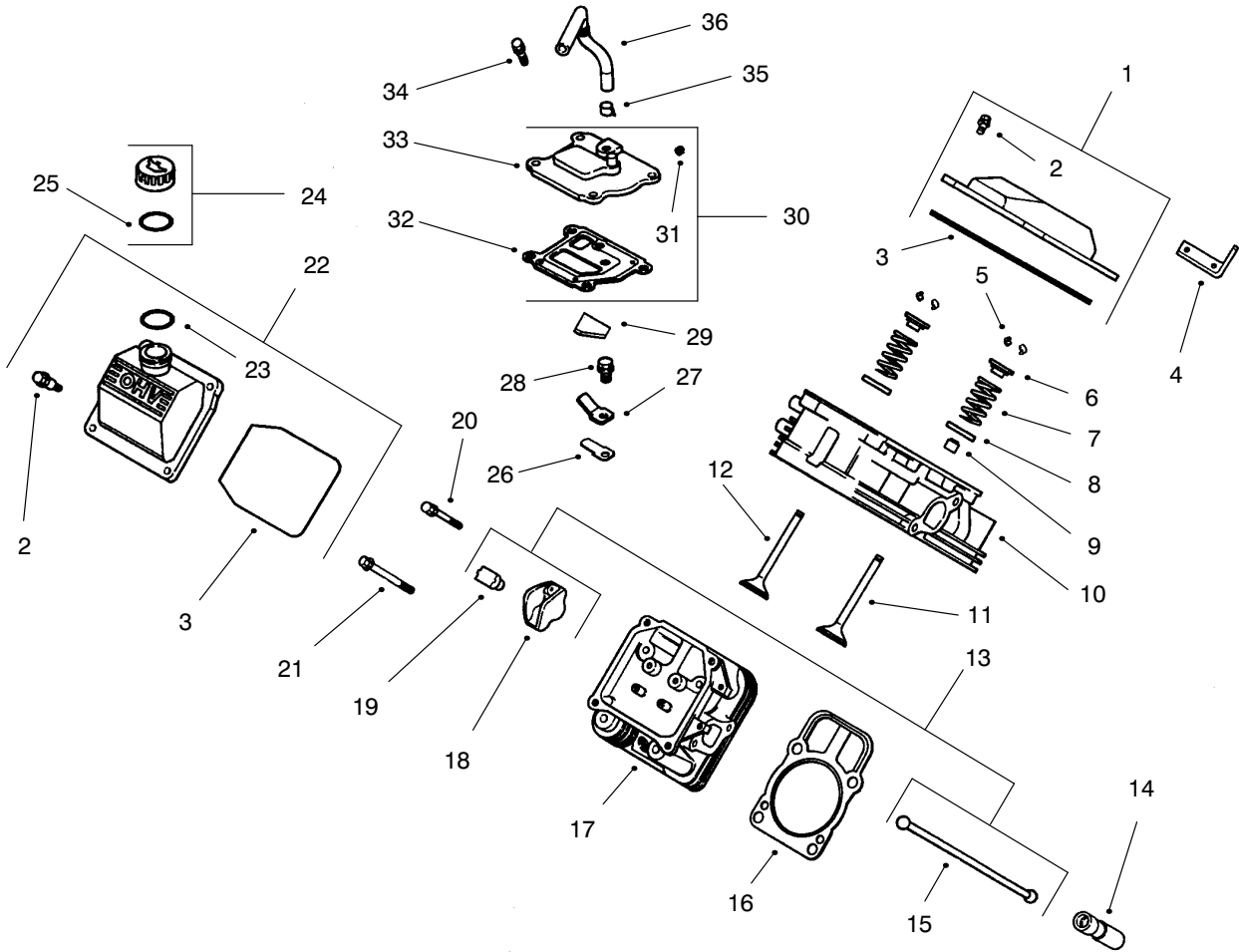
Obtain Parts From Kohler



### Group 3 – Oil Pan/Lubrication (CH25S 68606 Kohler)

Ref. No.	Part No.	Description	No. Used	Ref. No.	Part No.	Description	No. Used
1	24 009 83	Plate, closure assembly (Includes 2-12)	1	15	M-0645025	Screw, hex flange	2
2	24 038 06	Dipstick	1	16	54 755 14	Kit, oil cooler (Incl. 17-21)	1
3	24 123 08	Tube, dipstick	1	17	24 253 17	O-Ring	1
4	24 043 12	Kit, governor gear (Includes 5)	1	18	24 594 15	Cooler, oil	1
5	12 380 01	Pin, governor regulating	1	19	24 086 12	Screw, hex	2
6	52 448 02	Tab, locking	1	20	24 136 05	Nipple, oil filter	1
7	12 144 02	Shaft, governor gear	1	21	24 100 01	Nut, plastic	2
8	52 032 08	Seal, oil (PTO end)	1	22	52 050 02	Filter, oil	1
9	X-75-23	Plug, pipe 1/8"	2	23	25 155 02	Connector	1
10	24 153 08	O-Ring	1	24	24 099 03	Switch, pressure	1
11	24 393 10	Oil pump assembly (Includes 12,13)	1	25	24 086 16	Screw, hex flange	9
12	24 153 01	O-Ring, oil pick-up	1	26	24 086 17	Screw, hex flange	1
13	24 381 04	Pick-up, oil	1			<b>Not Illustrated</b>	
14	M-0631005	Washer, plain 6 mm	2	27	24 113 25	Decal, oil cooler	1

Obtain Parts From Kohler

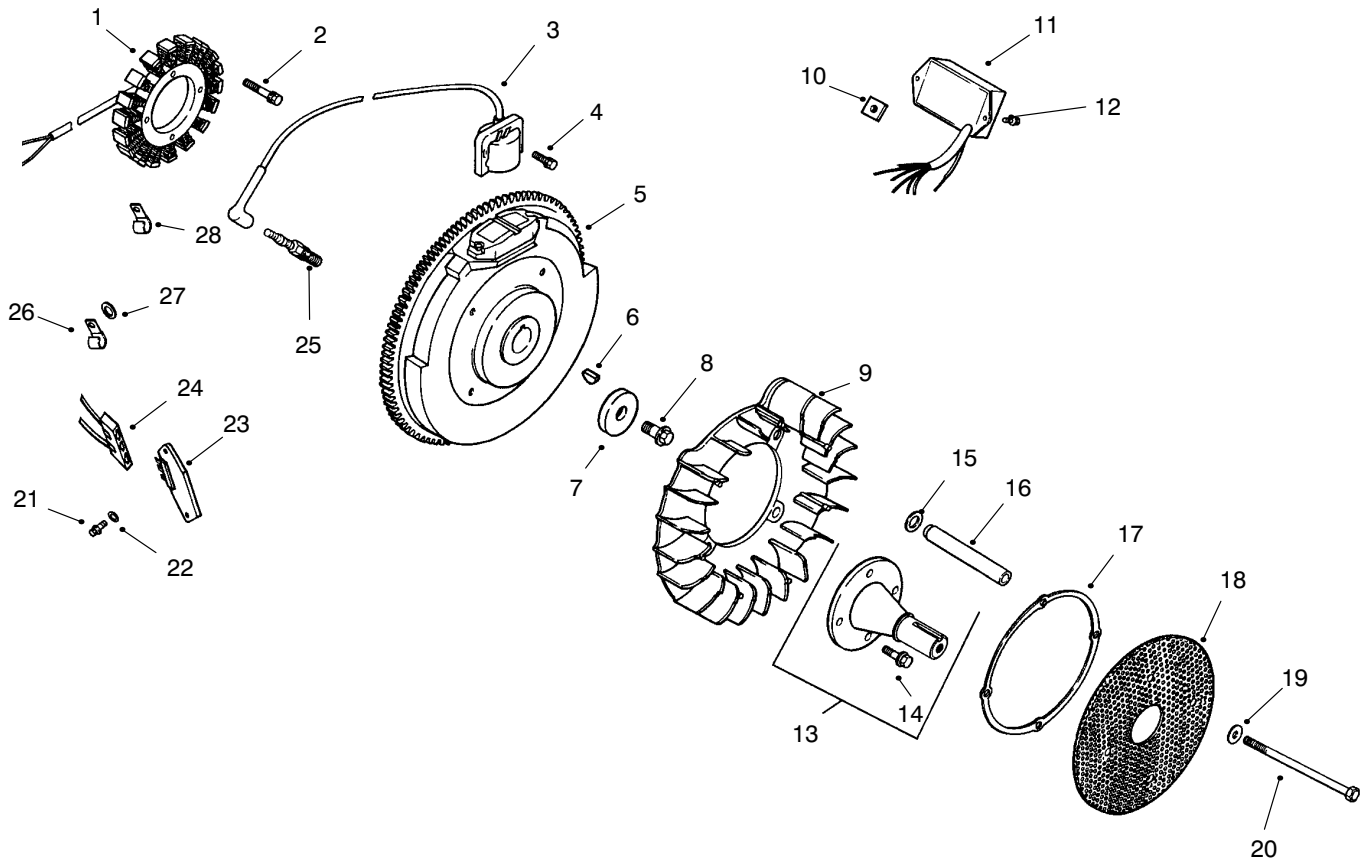


### Group 4 – Head/Valve/Breather (CH25S 68606 Kohler)

Ref. No.	Part No.	Description	No. Used
1	24 755 74	Kit, valve cover – plain (Includes 2-3)	1
2	24 086 32	Screw, shoulder	4
3	24 153 16	O-Ring, valve cover	1
4	24 445 01	Strap, lifting	1
5	12 755 03	Kit, retainer	4
6	12 173 01	Cap, valve spring	4
7	24 089 02	Spring, valve	4
8	235011	Retainer, spring	4
9	24 032 05	Seal, valve stem	2
10	24 318 13	Head assembly, #1 cylinder	1
11	24 017 01	Valve, intake (Std.)	2
	24 017 02	Valve, intake (.25)	2
12	24 016 01	Valve, exhaust (Std.)	2
	24 016 02	Valve, exhaust (.25)	2
13	24 755 66	Kit, valve train (Includes 15,18,19)	1
14	12 351 02	Lifter, valve	4
15	24 411 05	Rod, push	4
16	24 041 37	Gasket, cylinder head	2
17	24 318 14	Head assembly, #2 cylinder	1

Ref. No.	Part No.	Description	No. Used
18	25 186 01	Arm, rocker	4
19	24 599 01	Pivot, rocker arm	4
20	M-0640034	Screw, hex. flange	4
21	24 086 44	Screw, hex. flange	8
22	24 755 75	Kit, valve cover – oil fill (Includes 2,3,23)	1
23	24 153 09	O-Ring	1
24	24 755 46	Kit, oil fill cap (Includes 25)	1
25	12 153 03	O-Ring, oil fill cap	1
26	24 402 03	Reed, breather	1
27	12 018 01	Retainer, breather reed	1
28	M-0545010	Screw, hex. flange	1
29	24 050 01	Filter, breather	1
30	24 033 01	Kit, breather (Includes 31-33)	1
31	X-75-23	Plug, allen head pipe	1
32	24 041 23	Gasket, breather	1
33	24 096 02	Cover, breather	1
34	M-0645020	Screw, hex. flange	4
35	X-426-9	Clamp, breather	1
36	24 326 06	Hose, breather	1

Obtain Parts From Kohler

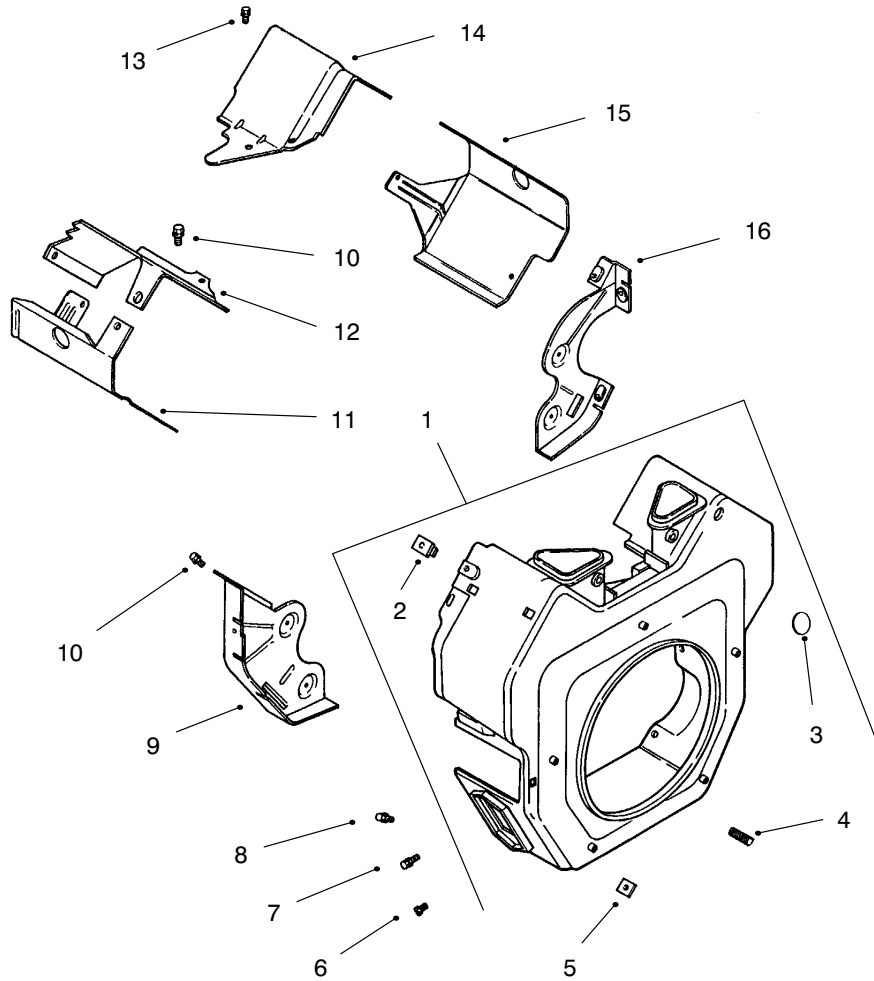


### Group 5 – Ignition/Electrical (CH25S 68606 Kohler)

Ref. No.	Part No.	Description	No. Used
1	54 755 09	Kit, 15 amp stator (Incl. 24 126 71 bracket)	1
2	M-0548025	Screw, hex. cap	2
3	24 584 11	Module, ignition	2
4	M-0561025	Screw, hex. socket hd.	4
5	24 025 03	Flywheel	1
6	X-42-15	Key	1
7	12 468 03	Washer, plain 3/8"	1
8	12 086 14	Screw, hex flange	1
9	24 157 03	Fan	1
10	24 100 02	Nut, plastic	2
11	24 584 09	Module, spark advance	1
12	24 086 41	Screw, phillips hd.	2
13	24 755 08	Kit, front drive shaft (Includes 14)	1
14	M-0839025	Screw, hex flange	4
15	24 468 11	Washer, spring 10mm	4
16	24 112 14	Spacer	4
17	24 141 06	Ring, support	1
18	24 162 22	Screen, grass	1

Ref. No.	Part No.	Description	No. Used
19	X-25-53	Washer, plain 1/4"	4
20	M-0603100	Screw, hex	4
21	24 086 18	Screw, phillips hd.	2
22	X-25-92	Washer, plain 3/16	2
23	25 403 03	Rectifier-regulator 15 amp	1
24	236602	Connector	1
25	12 132 06	Spark Plug	2
26	47 154 01	Clip, cable	1
27	X-25-63	Washer, plain 1/4"	1
28	48 154 02	Clip, cable	1
	25 518 28	<b>Not Illustrated</b> Lead, black, (4" – 18 gauge – insulated grip barrel eyelet terminals)	1
	24 176 38	Harness, wiring	1
	24 755 56	Kit, wiring (Includes Terminal #25 542 17 & Tie X-468-1	1
	24 126 71	Bracket, stator wire	1
	X-22-11	Washer, lock	1

Obtain Parts From Kohler

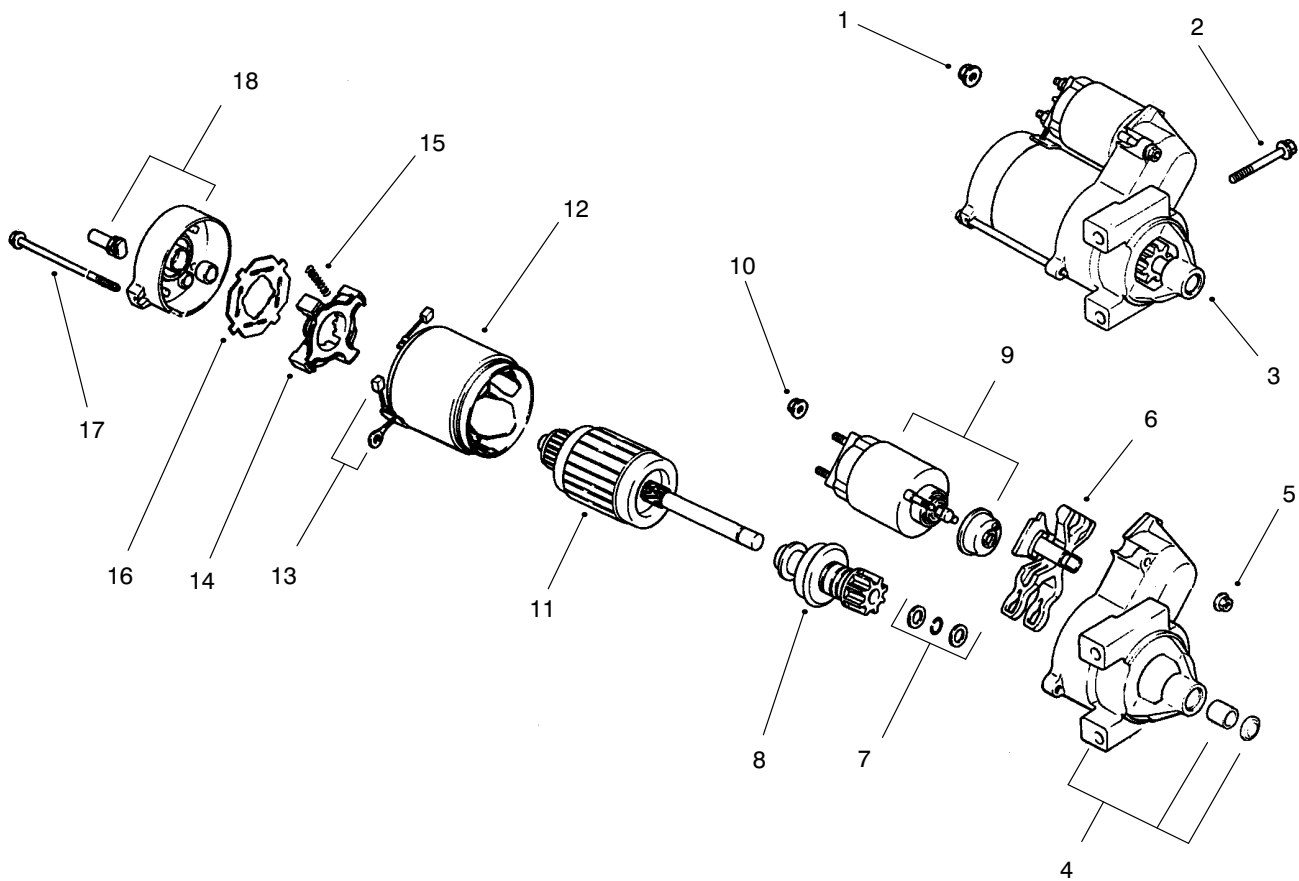


**Group 6 – Blower Housing & Baffles (CH25S 68606 Kohler)**

Ref. No.	Part No.	Description	No. Used
1	24 027 40	Housing, blower (Includes 2-5)	1
2	24 100 02	Nut, plastic	2
3	25 139 16	Button plug	1
4	25 086 43	Screw, set	1
5	24 100 01	Nut, plastic	2
6	M-0551016	Screw, hex. flange	1
7	M-0545016	Screw, hex. flange	5
8	M-0567020	Screw, hex. flange	2
9	24 146 11	Plate, backing – #2 side	1

Ref. No.	Part No.	Description	No. Used
10	M-0645016	Screw, hex. flange	6
11	24 063 39	Baffle, cyl. barrel – #2 side	1
12	24 063 17	Baffle, valley – #2 side	1
13	M-0545010	Screw, hex. flange	2
14	24 063 24	Baffle, valley – #1 side	1
15	24 063 30	Baffle, cyl. barrel – #1 side	1
16	24 146 08	Plate, backing – #1 side	1
		<b>Not Illustrated</b>	
	24 113 69	Decal, HP	1

Obtain Parts From Kohler

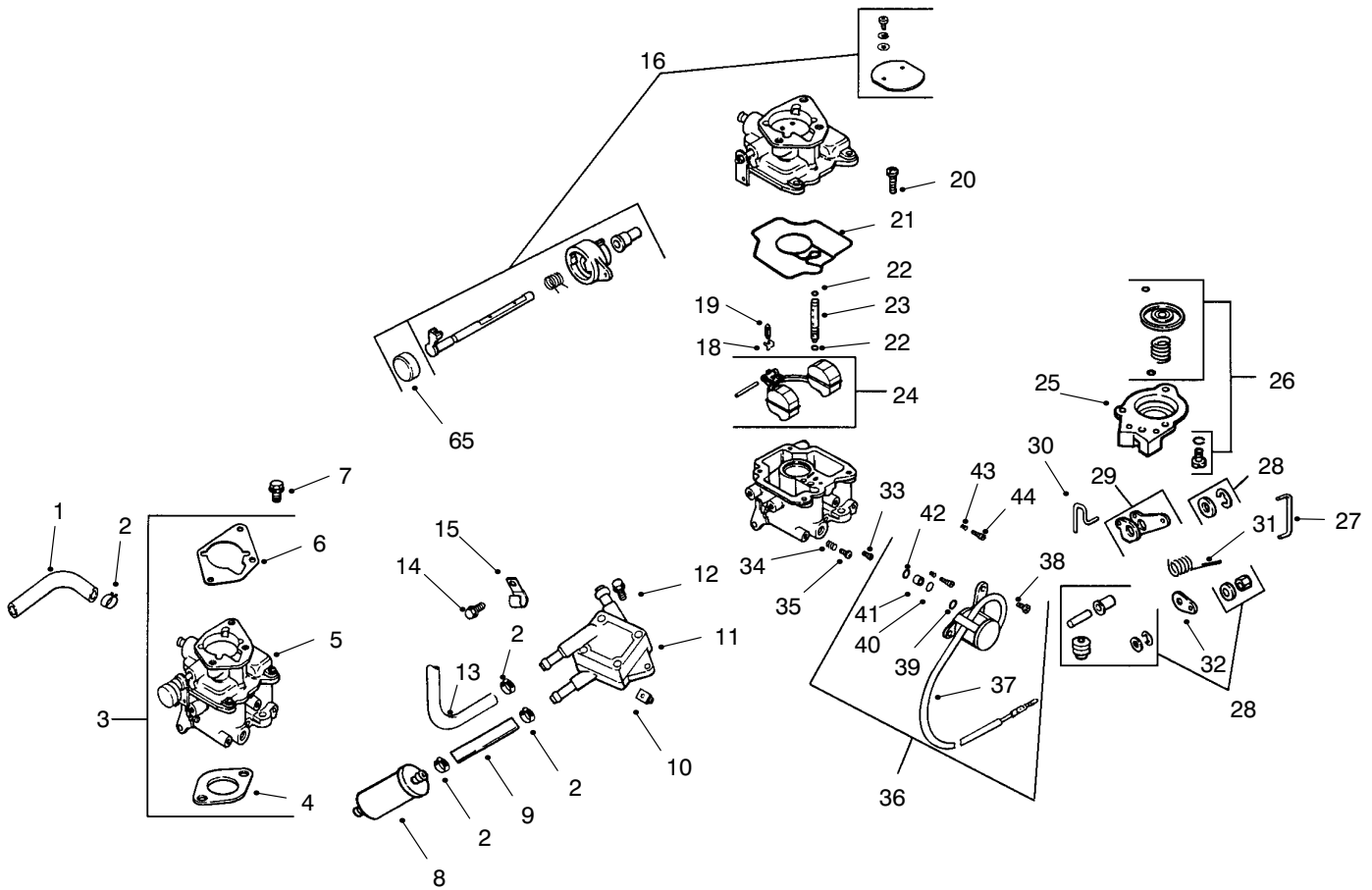


## Group 7 – Starting System (CH25S 68606 Kohler)

Ref. No.	Part No.	Description	No. Used
1	M-0841080	Nut, hex flange	1
2	M-0839080	Screw, hex. flange	2
3	24 098 01	Starter, solenoid shift assembly (Incl. 4-18)	1
4	24 081 04	Drive, end cap	1
5	52 100 10	Nut, starter	2
6	12 090 10	Lever, starter drive	1
7	24 755 84	Kit, starter repair	1
8	12 239 01	Drive, pinion	1
9	52 435 02	Solenoid	1

Ref. No.	Part No.	Description	No. Used
10	52 100 09	Nut, starter	1
11	12 170 04	Armature, starter	1
12	12 471 01	Frame	1
13	52 221 01	Kit, brush & spring (Includes 15)	1
14	52 323 03	Holder, brush	1
15	52 089 09	Spring, brush	4
16	52 168 01	Insulator	1
17	52 211 05	Bolt, thru	2
18	24 301 01	Commutator, end cap	1

Obtain Parts From Kohler

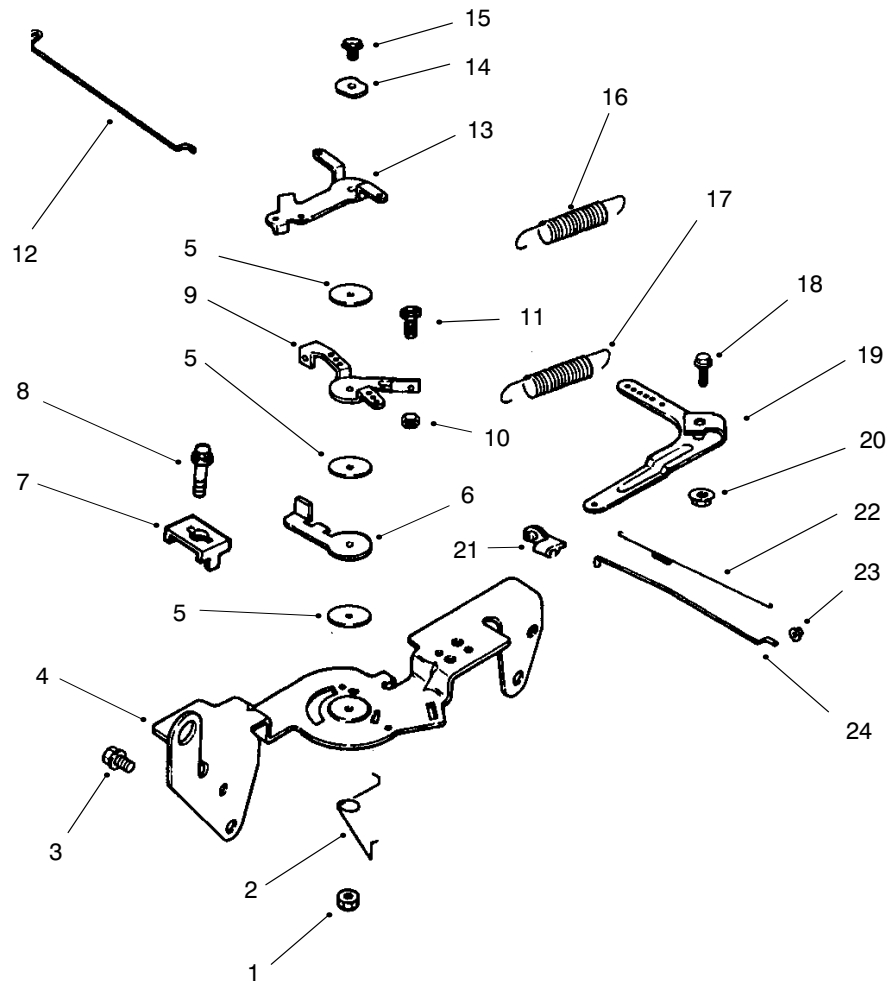


### Group 8 – Fuel System (CH25S 68606 Kohler)

Ref. No.	Part No.	Description	No. Used
1	25 353 10	Line, fuel – 9"	2
2	X-426-9	Clamp, hose	6
3	24 853 34	Kit, carburetor w/gasket (Includes 4-6)	1
4	24 041 06	Gasket, air cleaner base	1
5	24 053 34	Carburetor assembly (For information only not available separately)	1
6	24 041 17	Gasket, carburetor	1
7	M-0651030	Screw, hex. flange	2
8	24 050 02	Filter, fuel	1
9	25 353 15	Line, fuel	1
10	24 100 01	Nut, plastic	2
11	24 393 04	Pump, fuel-pulse	1
12	24 086 12	Screw, hex	2
13	24 353 02	Line, fuel 15-1/2"	1
14	M-0650012	Screw, hex flange	1
15	47 154 01	Clip, cable	1
18	24 154 01	Clip, inlet needle valve	1
19	24 462 01	Valve, inlet needle	1
20	24 086 09	Screw, sems pan hd.	4
21	24 041 09	Gasket, carburetor body	1
22	24 153 02	O-Ring, slow jet	1
23	24 337 29	Jet, slow	1
24	24 757 02	Kit, float repair	1
25	24 081 05	Housing, pump	1

Ref. No.	Part No.	Description	No. Used
26	24 757 08	Kit repair-accelerator pump	1
27	24 079 07	Linkage, rod	1
28	24 757 09	Kit repair-accelerator pump diagram	1
29	24 090 16	Lever, rod	1
30	24 079 06	Linkage, rod	1
31	24 089 27	Spring, Linkage	1
32	24 090 15	Lever, Linkage	1
33	24 337 30	Jet, main	1
34	24 086 10	Screw, idle speed adj.	1
35	24 089 10	Spring, idle speed adj.	1
36	24 757 01	Kit, solenoid asm. (Includes 37-42)	1
37	24 153 06	O-Ring, solenoid	1
38	24 521 01	Seat, solenoid	1
39	24 153 05	O-Ring, solenoid	1
40	24 153 04	O-Ring, solenoid	1
41	24 435 01	Solenoid	1
42	24 086 07	Screw, sems pan hd.	2
43	24 089 11	Spring, idle adj.	1
44	24 368 01	Needle, idle adj.6	1
		<b>Not Illustrated</b>	
	24 757 03	Kit, carburetor repair	1
	24 757 07	Kit, choke repair (Includes 17)	1
	24 173 02	Cap, choke lever	1

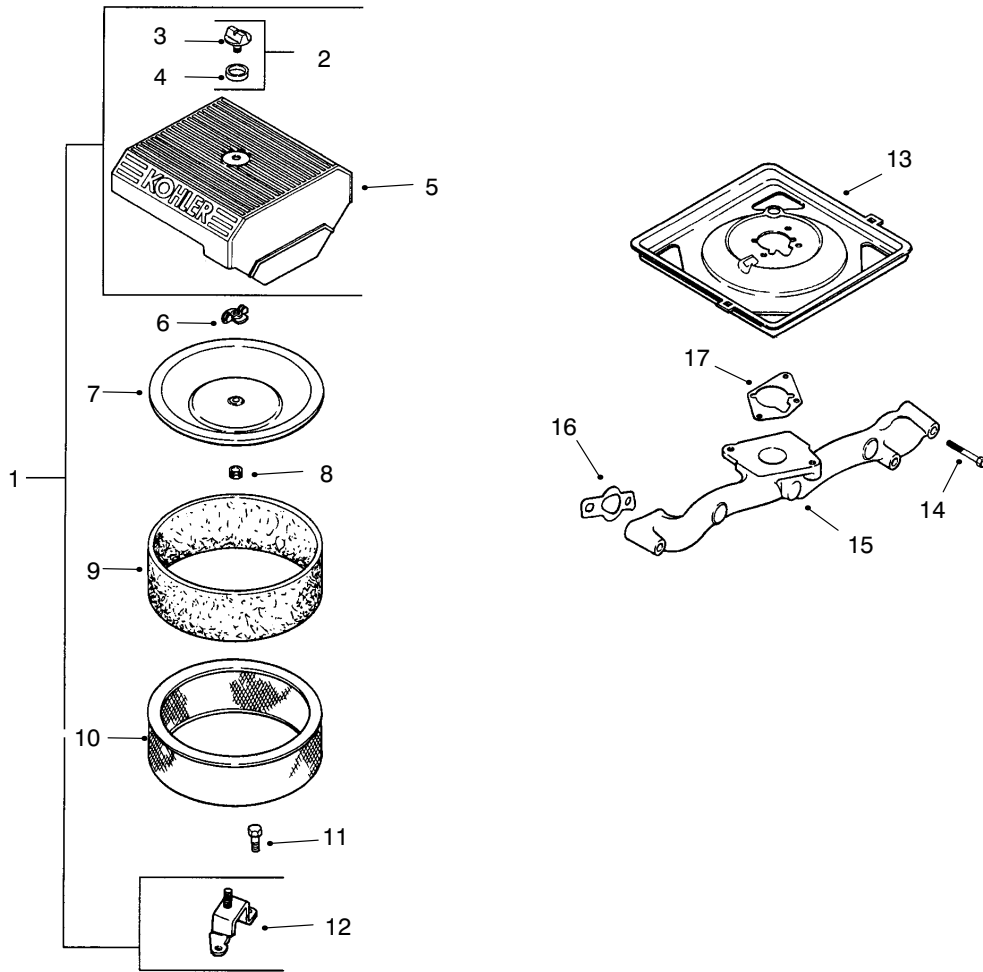
Obtain Parts From Kohler



## Group 9 – Engine Controls (CH25S 68606 Kohler)

Ref. No.	Part No.	Description	No. Used	Ref. No.	Part No.	Description	No. Used
1	M-0547050	Nut, hex. lock	1	13	24 090 05	Lever, choke	1
2	24 089 03	Spring, choke return	1	14	41 468 03	Washer, spring	1
3	M-0645016	Screw, hex. flange	4	15	M-0545020	Screw, hex. flange	1
4	24 126 56	Bracket, control	1	16	24 089 38	Spring, throttle limiter	1
5	24 468 01	Washer, plain	3	17	24 089 15	Spring, governor	1
6	24 090 07	Lever, throttle actuator	1	18	SM-0642025	Screw, hex. flange	1
7	12 237 01	Clamp, cable	2	19	24 090 14	Lever, governor	1
8	M-0545016	Screw, hex. flange	2	20	M-0641060	Nut, hex. flange	1
9	24 090 03	Lever, throttle control	1	21	25 158 11	Bushing, linkage retaining	1
10	M-0446030	Nut, hex	1	22	24 089 01	Spring, linkage	1
11	M-0401030	Screw, hex. cap	1	23	25 158 08	Bushing, linkage retaining	1
12	24 079 02	Linkage, choke	1	24	24 079 01	Linkage, throttle	1

Obtain Parts From Kohler

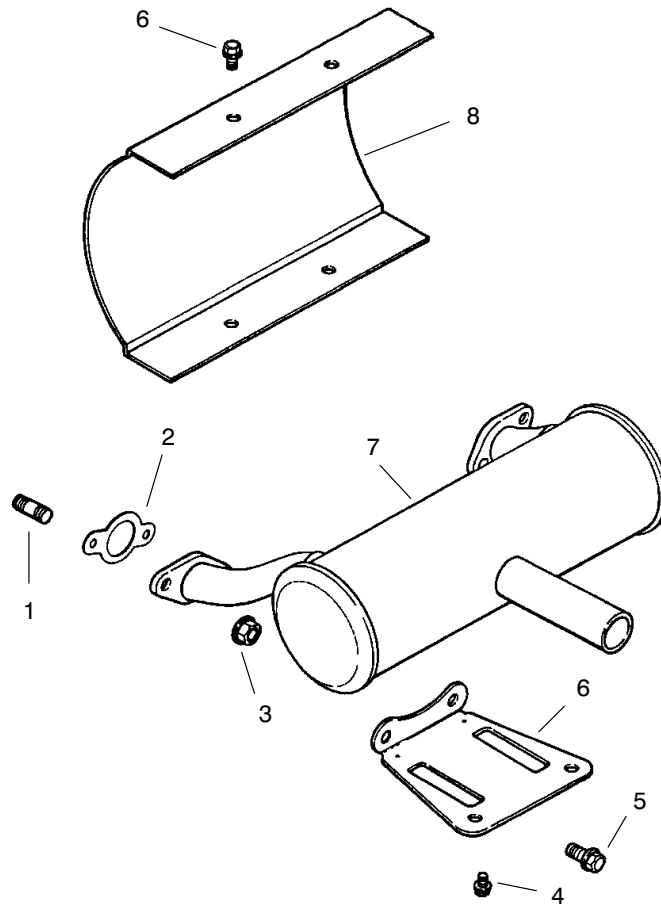


### Group 10 – Air Intake/Filtration (CH25S 68606 Kohler)

Ref. No.	Part No.	Description	No. Used
1	24 753 05	Kit, air cleaner (Includes 2-5, 12)	1
2	54 755 01	Kit, air cleaner knob (Includes 3,4)	1
3	25 341 03	Knob, cover	1
4	24 153 15	O-Ring	1
5	24 096 24	Cover, air cleaner	1
6	12 100 01	Wing Nut	2
7	24 096 01	Cover, inner air cleaner	1
8	230046	Seal, inner air cleaner	1

Ref. No.	Part No.	Description	No. Used
9	24 083 05	Precleaner, element	1
10	24 083 03	Element, air cleaner	1
11	M-0645016	Screw, hex flange	3
12	24 126 43	Bracket, air cleaner base	1
13	24 094 11	Base, air cleaner	1
14	M-0651055	Screw, hex flange	4
15	24 164 14	Manifold, intake	1
16	24 041 01	Gasket, intake manifold	2
17	24 041 06	Gasket, air cleaner base	1

Obtain Parts From Kohler



## Group 11 – Exhaust (CH25S 68606 Kohler)

Ref. No.	Part No.	Description	No. Used	Ref. No.	Part No.	Description	No. Used
1	25 072 04	Stud	4	8	24 314 04	Shield, heat	1
2	24 041 02	Gasket, exhaust	2			<b>Not Illustrated</b>	
3	M-0841080	Nut, hex flange	4		24 522 85	Short Block	1
4	M-0650012	Screw, hex. flange	4		24 782 01	Miniblock	1
5	M-0839020		2		54 755 23	Gasket Set	1
6	24 126 12	Bracket, muffler	1				
7	24 068 17	Muffler Canister – Center Outlet	1				

Obtain Parts From Kohler

# TORO PART NUMBER INDEX

Part No.	Pg. No.	Ref. No.	Qty.	Description	Part No.	Pg. No.	Ref. No.	Qty.	Description
105316	15	25	1	Cap-Rod	E603496	11	9	2	Bushing
E000099	7	11:1	2	Kit-Seal	E603610	10	6	2	Disc-Spring
E000139	7	11:3	2	Kit-Bearing	E603721	7	14	1	Fitting-Tee
5-1077	16	8	1	Key	E603722	7	15	1	Fitting-Tee
E303077	9	1	6	Clamp	E603735	6	5	2	Bushing
E303105	6	1	2	Yoke	E603737	6	6	2	Bolt
E303287	12	21	5	Tie-Plastic	E603805	11	10	1	Pulley-Idler
E303327	1	23	12	Washer-Lock	E603807	6	7	2	Spring
E303327	6	2	4	Washer-Lock	E603826	7	16	3	Clamp-Hose
E303327	11	1	5	Washer-Lock	E603827	7	17	5	Clamp-Hose
E303335	3	25	1	Tie-Plastic	E603841	8	51	2	Pump - Hydro RH
E303335	9	4	1	Tie-Plastic	E603903	6	9	4	Spacer
E303335	10	2	1	Tie-Plastic	E603987	7	18	1	Elbow
E303335	12	31	2	Tie-Plastic	E603988	7	19	1	Elbow
E303435	9	24	4	Washer	E603989	7	20	2	Elbow
E303517	10	11:3	1	Decal-Belt Drive	E603990	7	21	4	Adapter
E323229	12	32	1	Clip	E613235	10	1	4	Washer
E323235	10	36	2	Washer-Spring	E632187	3	14	1	Frame-Seat
E323236	10	37	2	Spacer	E632191	6	10	1	Lever-Control LH
E373034	14	7	6	Washer-Flat	E632193	6	11	1	Lever-Control RH
E373066	1	3:6	1	Decal	E632199	13	11	2	Pin-Strut
E403124	11	2	1	Elbow	E632201	7	23	1	Arm-Pump Idler
E513006	7	3	1	Filter Head	E632208	6	12	2	Arm-Pump Control
E513011	3	15	8	Nut	E632217	5	5	1	Shaft-Brake
E513034	7	33:1	2	Bearing-Pivot	E632219	1	7	1	Arm-Deck Lift
E513034	11	14:1	2	Bearing-Pivot	E632281	7	24	1	Hose ASM-Low Pressure
E513075	12	33	1	Switch-Solenoid	E632282	7	25	1	Hose ASM-Low Pressure
E513140	5	1	2	Bearing	E632285	7	26	1	Hose ASM-Low Pressure
E513152	12	15	1	Switch-Seat	E632286	7	27	1	Hose ASM-Low Pressure
E513167	7	5	1	Cap	E632324	1	5	1	Lever-Lift
E513180	12	16	1	Actuator-Switch	E632469	11	14	1	Idler Arm Asm
E513374	12	26	1	Meter-Hour	E632489	5	4	1	Lever-Brake
E513435	15	17	3	Washer-Spring	E632511	2	8	2	Fork-Castor
E513592	3	26	1	Knob	E632690	13	10	2	Strut
E513645	9	6	2	Bushing	E632712	5	6	1	Brake Bracket-LH
E513658	3	29	2	Bumper	E632713	5	7	1	Brake Bracket-RH
E513747	3	11:2	1	Decal-Warning	E632899	1	16	1	Plate-Deck Lift
E513748	10	11:2	1	Decal-Guard	E632911	6	13	1	Motion Control
E513762	3	24	1	Clip	E632912	6	14	1	Motion Control
E513762	8	56	1	Clip	E633002	211:1:1	2	2	Tire
E513762	9	3	1	Clip	E633007	3	12	2	Wheel & Tire ASM
E513762	12	23	1	Clip	E633008	3	12:2	2	Tire
E513840	7	7	2	Elbow	E633009	3	12:1	2	Wheel
E513890	7	2:3	1	Decal-Hydraulic Tank	E633023	9	9	6	Stud
E513929	3	11:4	1	Decal-Drive Release	E633029	13	8	2	Rod End
E522217	7	8	1	Hose ASM-Low Pressure	E633060	5	10	4	Spacer
E522424	12	11	1	Mount-Spring	E633062	5	11	4	Spacer
E523027	6	3	2	Damper	E633064	1	32	2	Spring-Deck Support
E523103	7	9	1	Gasket	E633068	1	12	2	Arm-Deck Lift
E523281	12	34	1	Wire-Starter	E633080	1	18	1	Bushing
E523328	7	11	2	Motor-Wheel	E633082	1	17	1	Bushing
E523415	12	10	1	Spring	E633096	1	28	2	Rod-Deck Lift
E523420	10	3	2	Bumper	E633097	1	20	1	Hitch Pin w/Lanyard
E523428	3	2:6	1	4" Locking Track Set	E633099	10	9	1	Clutch
E543017	6	4	2	Ball Joint	E633102	5	12	2	Bearing-Side Flange
E543070	12	25	1	Switch-Ignition	E633102	6	16	4	Bearing-Side Flange
E543084	12	36	1	Wire-Starter Solenoid	E633110	12	29	1	Switch-Brake
E543232	11	4	1	Nipple	E633111	12	20	2	Switch-Drive Lever
E543233	11	5	1	Cap	E633131	5	13	4	Yoke-Brake Linkage
E543277	9	7	2	Elbow	E633144	5	14	2	Pin-Trunion
E543316	12	22	1	Module-Interlock	E633152	6	17	2	Ball Joint LH
E543391	12	5	1	Insulator-Battery	E633153	6	15	2	Linkage
E543393	12	35	3	Insulator-Solenoid	E633166	11	12	1	Idler
E543401	3	2:5	4	Spacer-Track	E633167	7	31	1	Pulley-Idler
E543407	3	2:1	1	Cushion-Seat	E633177	6	18	2	Arm
E543456	9	8	2	Line-Fuel	E633179	10	10	1	Spacer
E543511	2	7	2	Seal-Grease	E633181	12	18	4	Plate
E543513	2	1	2	Cap-Grease	E633257	6	19	2	Grip
E543792	12	3	2	Wingnut	E633268	5	17	1	Grip-Brake Lever
E603050	11	6	1	Spacer	E633273	3	15	8	Wheel Bolt
E603336	3	10	1	Cable-Choke	E633293	3	16	1	Rod-Seat Holdup
E603384	7	12	1	Bushing	E633295	1	6	1	Grip-Lift Lever
E603384	11	7	1	Bushing	E633306	12	6	1	Wire-Starter
E603401	11	23	1	Spacer-Fender	E633307	12	4	1	Wire-Ground
E603402	11	11	1	Spring	E633325	1	8	1	Spring-Compression
E603413	7	13	1	Spring-Extension	E633335	7	32	2	Hose-Low Pressure
E603479	12	2	1	Battery	E633345	1	37	1	Decal-HOC

\*Not Illustrated

# TORO PART NUMBER INDEX (Cont.)

Part No.	Pg. No.	Qty.	Ref. No.	Description	Part No.	Pg. No.	Qty.	Ref. No.	Description
E633346	3	13:3	1	Decal-Fuel Valve	E804524	6	27	2	Nut
E633347	9	12	1	Valve-Fuel Line	E805269	5	31	2	Washer
E633348	9	13	1	Fuel Line	E806005	1	21	1	Hairpin
E633349	9	14	6	Spring-Fuel Tank	E806800	5	28	2	Pin-Cotter
E633354	3	11:3	2	Decal-Motion Control	E807020	5	16	2	Key-Woodruff
E633396	10	34	1	Clip	E807020	7	11:2	2	Key-Woodruff
E633396	12	28	3	Clip	E807272	8	46	2	Key
E633441	1	30	4	Swivel-Deck Mount	E807513	3	22	2	Bolt-CARR
E633447	13	3	4	Chain-Lift	E808280	6	33	2	Pin-Clevis
E633454	5	2	2	Spring-Brake	E808283	5	29	2	Pin-Clevis
E633462	10	11:4	1	Decal-Important	E808284	1	14	2	Pin-Clevis
E633466	10	17	1	Guard-Muffler	E808285	5	19	4	Pin-Clevis
E633477	5	3	3	Rod-Brake	E808505	1	11	5	Ring-Retaining
E633508	2	3	6	Washer-Belleville	E808514	5	30	2	E Ring Retainer
E633543	10	5	1	Strap,Clutch	E809036	5	8	2	Nut
E633545	10	4	2	Spacer-Grommet	E809036	7	11:4	2	Nut
E633548	5	15	2	Hub-Wheel	E809057	6	8	4	Screw-HSH
E633553	1	3:2	3	Pad-Anti skid	E809076	10	35	2	Screw-HH
E633567	7	29	1	Sheave	E811008	8	49	1	Fitting-Grease
E633568	7	28	2	Sheave	E811008	11	22	1	Fitting-Grease
E633579	2	11:5	2	Spacer	E811010	2	6	2	Plug
E633580	2	11:2	4	Seal-Bearing	E816001	12	19	2	Fuse-20 Amp
E633581	2	11:4	4	Spacer - Bearing	7-0081	16	2	1	Washer-Special
E633582	2	11:1	2	Wheel & Tire ASM	7-4150	15	29	2	Washer
E633583	211:1:2	2	2	Wheel	13-2840	8	45	1	Key
E633587	1	35	1	Handle	14-0909	15	7	1	Deflector ASM
E633613	10	20	2	Bracket-Guard	27-0920	15	35	2	Shaft-Spindle
E633615	10	7	1	Guard	27-0950	15	34	3	Spacer-Bearing
E633630	10	38	2	Grommet	27-0960	15	38	3	Bearing ASM
E633651	12	37	2	Bolt-Battery	27-5970	15	39	3	Spacer-Matched Set
E633652	12	1	1	Strap-Hold Down	27-8490	16	5:1	1	Bushing
E633673	12	27	1	Switch-PTO	27-8580	16	5	1	Idler ASM
E633693	5	9	2	Brake Band	43-8480	14	1:2	1	Decal-Danger
E633696	3	9	1	Cable	44-6250	15	18	3	Blade
E633705	3	2	1	Seat/Armrest ASM	44-6260	16	12	1	V-Belt
E633706	1	36	1	Decal-HOC	44-6301	16	10	1	Plate-Idler LH
E633709	3	2:2	1	Cushion-Seat Back	44-6370	15	21	2	Spindle Housing ASM
E633710	3	2:3	1	Armrest-RH	46-8530	15	33	3	Bearing ASM
E633711	3	2:4	1	Armrest-LH	51-1530	15	2	2	Bracket-Hinge
E633736	4	42	1	Decal-Z255	51-1550	15	4	2	Spring
E633737	1	3:5	1	Decal-Z-Master	51-3551	15	36	1	Spindle-Shaft
E633749	7	30	1	Belt	54-9220	15	7:1	1	Decal-Danger
E633750	7	6	1	Filter-Hydro	61-4160	15	32	3	Spindle-52"
E633752	7	6	1	Filter-Winter Hydro	65-2690	7	2:2	1	Decal-Hot Surface
E633766	1	3:3	1	Decal-Service	65-5940	16	1	1	Pulley-Idler
E633771	3	11:5	1	Decal-Pump Belt	65-5950	16	6	1	Bushing-Pulley
E633776	7	1	2	Hose	66-1340	14	1:4	1	Decal-Discharge
E633777	7	22	2	Hose	66-6380	14	1:5	1	Decal-Danger
E633786	7	10	4	Elbow 90 DEG	67-5360	14	9:1	1	Decal-Danger
E633818	1	42	1	Decal-Warning	67-5360	14	10:1	1	Decal-Danger
E633830	10	42	1	Kohler Command Ch25	68-2730	14	5	6	Wheel-Gage
E633889	1	15	1	Plate-Deck Lift	72-9361	15	41	3	Cup-Anti Scalp
E633926	5	15:2	8	Stud-Wheel	74-0720	3	33	1	Tube-Manual
E633964	3	1	1	Stop-Park Brake	92-5816	15	15	3	Screw-Blade
E633980	5	15:1	2	Hub	92-5836	15	37	1	Washer
E633988	10	8	1	Spacer	93-3101	9	5	2	Gas Cap
E634277	7	33	1	Arm ASM	93-7340	3	34	1	Decal-Toro
E634308	10	11	1	Lift Shield ASM	93-7818	14	1:9	1	Decal-Blade Bolt Torque
E634662	2	11	2	Caster Wheel ASM	98-3269	14	1:7	1	Decal-Made In USA
E634796	10	14	1	Shield-LH	98-3754	15	26	1	Pulley & Hub
E634797	10	18	1	Shield-RH	98-3755	15	22	1	Spindle Housing ASM
E634860	1	1	1	Front Frame ASM	98-3764	16	13	1	V-Belt-Deck
E634862	10	11	1	Shield ASM	98-3775	16	14	1	Guide-Belt
E634927	5	15	2	Wheel Hub w/Studs	98-3777	14	4	6	Spacer-Wheel
E643119	12	30	1	Harness	98-3798	14	1:3	1	Decal-Gage Wheel
E800282	12	7	1	Screw	98-3799	14	1:6	1	Decal-Belt Routing
E800284	10	40	1	Scrw	98-5954	1	3:4	1	Decal-Cover Missing
E800339	2	11:6	2	Screw-HH	98-5954	14	1:8	3	Decal-Cover Missing
E800805	8	37	1	Screw-HH	98-5955	14	9	1	Cover ASM LH
E800805	11	18	1	Screw-HH	98-5956	14	10	1	Cover ASM RH
E803016	8	38	4	Bolt	98-5961	14	15	6	Screw-HH
E803022	6	24	2	Screw-Set	98-5975	14	16	6	Washer
E803022	8	39	2	Screw-Set	99-2833	16	19	1	Baffle-Front
E803028	12	17	8	Screw	99-2834	16	20	1	Baffle-Front
E803060	3	31	2	Screw	99-2842	14	6	6	Spacer-Wheel
E803071	9	23	4	Screw	99-3656	9	21	1	Decal-Control Panel
E804269	2	11:7	2	Nut-Lock	99-4607	9	11	1	Tank-RH Fuel

\*Not Illustrated

# TORO PART NUMBER INDEX (Cont.)

Part No.	Pg. No.	Ref. No.	Qty.	Description	Part No.	Pg. No.	Ref. No.	Qty.	Description
99-4608	9	10	1	Tank-LH Fuel	3242-4	8	41	2	Screw-Set
99-4611	3	13:2	1	Decal-Control Panel	3242-6	8	40	2	Screw-Sqh Set
99-4614	15	30	2	Pulley & Hub	3253-3	8	42	2	Washer-Lock
99-4619	14	23	1	Decal-Sfs	3253-3	9	18	2	Washer-Lock
99-4620	14	27	1	Decal-62"	3253-4	9	19	4	Washer-Lock
99-4622	1	3	1	Floorpan ASM	3253-7	5	25	8	Washer-Lock
99-4623	3	13	1	Console ASM	3253-7	15	40	3	Washer-Lock
99-4624	3	11	1	Frame ASM	3253-8	13	6	2	Washer-Lock
99-4625	7	2	1	Hydraulic Tank ASM	3256-2	6	29	2	Washer-Flat
99-4655	14	1	1	62" Deck ASM	3256-2	10	29	4	Washer-Flat
99-4656	9	2	1	Panel-Control	3256-2	12	8	2	Washer-Flat
99-4940	9	22	1	Shield-Control Panel	3256-3	6	30	4	Washer-Flat
249-21	15	14	4	Latch	3256-3	8	43	1	Washer-Flat
2412-120	3	30	2	Clamp-R	3256-3	10	30	1	Washer-Flat
253-139	15	31	6	Seal-Oil	3256-3	16	16	1	Washer-Flat
254-72	2	5	4	Cup-Bearing	3256-4	5	26	4	Washer-Flat
254-78	2	11:3	4	Cone-Bearing	3256-4	8	44	1	Washer-Flat
254-79	211:1:3		4	Cup-Bearing	3256-4	11	24	1	Washer-Flat
254-94	2	4	4	Cone-Bearing	3256-7	1	31	2	Washer-Flat
302-2	15	27	3	Fitting-Grease	3256-7	1	34	2	Washer-Flat
302-19	5	21	2	Fitting-Grease	3256-23	4	44	6	Washer-Flat
302-19	13	4	2	Fitting-Grease	3256-23	6	31	4	Washer-Flat
320-19	1	2	5	Fitting-Grease	3256-23	9	20	10	Washer-Flat
321-3	8	50	2	Screw-HH	3256-24	1	9	3	Washer-Flat
321-3	9	15	2	Screw-HH	3256-24	11	20	4	Washer-Flat
321-4	3	27	1	Screw-HH	3256-24	15	19	1	Washer-Flat
321-4	7	34	2	Screw-HH	3256-27	16	4	1	Washer-Flat
321-4	10	22	10	Screw-HH	3256-29	1	27	4	Washer-Flat
321-4	12	12	8	Screw-HH	3272-5	6	32	2	Pin-Cotter
321-6	12	24	1	Screw-HH	3272-10	1	13	2	Pin-Cotter
322-3	3	4	8	Screw-HH	3272-10	5	27	7	Pin-Cotter
322-3	9	16	4	Screw-HH	3290-321	15	13	8	Screw-HH
322-3	13	12	2	Screw-HH	3290-357	1	24	17	Nut-Lock Flange
322-5	3	17	1	Screw-HH	3290-357	5	24	4	Nut-Lock Flange
322-6	6	20	4	Screw-HH	3290-357	6	35	8	Nut-Lock Flange
322-6	10	39	1	Screw-HH	3290-357	8	47	8	Nut-Lock Flange
323-2	14	13	4	Screw-HH	3290-357	10	32	4	Nut-Lock Flange
323-4	5	18	4	Screw-HH	3290-357	11	21	10	Nut-Lock Flange
323-4	6	21	8	Screw-HH	3290-357	14	14	4	Nut-Lock Flange
323-6	1	25	3	Screw-HH	3290-357	15	6	4	Nut-Lock Flange
323-6	3	5	2	Screw-HH	3290-357	16	9	2	Nut-Lock Flange
323-6	6	22	4	Screw-HH	3290-357	14	8	12	Nut-Lock
323-6	10	24	6	Screw-HH	3296-5	16	11	1	Nut-Lock
323-7	1	26	12	Screw-HH	3296-29	9	17	6	Nut-Lock
323-8	7	35	1	Screw-HH	3296-29	10	41	1	Nut-Lock
323-9	1	22	2	Screw-HH	3296-29	16	17	1	Nut-Lock
323-9	6	23	6	Screw-HH	3296-71	16	3	1	Nut-Lock
323-9	8	36	1	Screw-HH	32128-17	15	11	8	Nut-Lock
323-9	11	16	5	Screw-HH	32128-20	3	23	12	Nut-Lock
323-11	11	15	2	Screw	32128-20	6	34	4	Nut-Lock
323-13	1	19	1	Screw-HH	32128-20	10	31	1	Nut-Lock
323-13	11	17	1	Screw-HH	32128-20	12	9	2	Nut-Lock
323-21	3	18	2	Screw-HH	32128-20	13	13	2	Nut-Lock
324-6	13	2	8	Screw-HH	32128-20	16	21	6	Nut-Lock
325-17	15	3	2	Screw-HH	32128-21	15	20	18	Nut-HHF
325-20	5	20	8	Screw-HH	32128-33	3	28	1	Nut-Hex Flange
327-11	13	7	2	Screw-HH	32128-33	6	36	4	Nut-Hex Flange
3211-8	16	7	1	Screw-HH	32128-33	8	48	2	Nut-Hex Flange
3212-10	10	25	1	Screw	32128-33	10	33	7	Nut-Hex Flange
3217-9	5	22	8	Nut-HH	32128-33	12	13	11	Nut-Hex Flange
3217-11	1	29	8	Nut	32128-37	13	1	16	Nut-Lock
3217-11	13	5	2	Nut	32146-2	1	10	7	Nut-Hex Lock
3218-6	1	33	4	Nut-Hex Jam	32146-2	3	21	4	Nut-Hex Lock
3219-2	6	26	10	Nut	32146-2	6	25	6	Nut-Hex Lock
3219-3	5	23	8	Nut-Hex	32146-2	11	19	1	Nut-Hex Lock
3219-6	13	9	2	Nut-Hex	32146-4	3	20	2	Nut-Lock
3220-2	6	28	2	Nut-Jam	32146-14	2	2	2	Nut-Lock
3230-22	16	15	1	Screw-CARR	32146-17	10	27	4	Nut-Lock
3231-22	15	23	21	Bolt-CARR	32146-18	3	19	2	Nut-Lock
3231-33	15	24	1	Bolt-CARR	32146-20	15	28	3	Nut-Lock
3234-5	16	22	6	Screw-HHF	32153-5	15	8	2	Nut-Lock

\*Not Illustrated